

rev. 1,0

INSTALLATION INSTRUCTIONS

DOCCIA-FLAT SERIES

Model with Wall/Glass rollers
Glass 8 mm

DCCFLAT007



EN 14428



LOGLI
MASSIMO
SAINT-GOBAIN



DOCCIA-FLAT SERIES

Model with Wall/Glass rollers - Glass 8 mm

DCCFLAT007

Composition of the kit



DCCFTVET



1 kit

GLMFT2000



1 Pc

PBD3183.220
+ PBD3183.150



3 Pcs + 1 Pc

PBD3184.150



1 Pc

GTUP4



7 m

GM01422



1 Pc

GM0622



1 Pc

HAND10057VHB



2 Pcs

GENERAL INDICATIONS

- The exclusive use of safety glass is required (monolithic tempered or laminated)
- Do not install the product in environments characterized by the presence of aggressive chemical agents (pools, saunas, marine atmosphere, ...).
- Do not move the doors too fast.
- Do not move the doors with excessive force. Install and adjust the end stops correctly supplied in the kit.

PROPER AND AUTHORIZED USE

- It is possible to install the product only indoors, protected from moisture and agents atmospheric (sun, wind, pollution, ...)
- The authorized use concerns manual opening and closing and at a running speed of 1 or more sliding glass panels inside a door.

REQUIREMENTS OF GLASS PANELS AND ANCHORS

- The structure to which the product is anchored must be able to support permanent loads and have an adequate geometric linearity (maximum height of 2 mm every 1000 mm).
- The anchors must be correctly selected according to the type of structure and the weight of the suspended parts of the product (including glass panels).
- The exclusive use of safety glass (monolithic, tempered or laminated) is required.
- Never use panels that are not intact or otherwise damaged.
- During adjustment phases, make sure that the glass never comes into contact with potentially dangerous parts because of its integrity (metal parts, masonry, ...).
- Never exceed the appropriate tightening torques; too tight a tightening does not correspond to a better tightening and can cause permanent damage to the product, to the anchoring structure and to the glass panels.

INSTRUCTIONS FOR MAINTENANCE AND CLEANING

- Replace damaged and / or worn parts immediately.
- Before installation, always degrease the areas of the glass panels on which the clamping elements (clamps) will be installed
- Use non-aggressive, non-greasy detergents for cleaning.
- Regularly check the level of wear of the components and the correct operation of the product.
- Use only original spare parts.

SAFETY INSTRUCTIONS

- The installation requires the simultaneous presence of two operators.
- Wear appropriate personal protective equipment including gloves, shoes and goggles.
- Only qualified and trained operators can perform the installation and commissioning of the product.
- Always avoid direct contact between glass and metal.



END OF LIFE

- The product disassembly procedure must be performed by two operators.
- Wear appropriate personal protective equipment including gloves, shoes and goggles.
- Only qualified and properly trained operators can disassemble the product.

Disposal of the product must be carried out in accordance with the national regulations in force regarding waste and environmental protection. In particular, follow the instructions below:

- plastic, rubber and similar parts must be sent to an approved center;
- materials made of aluminum, iron and metal in general must be sent to an approved recycling center;
- the glass parts must be sent to an authorized disposal center.

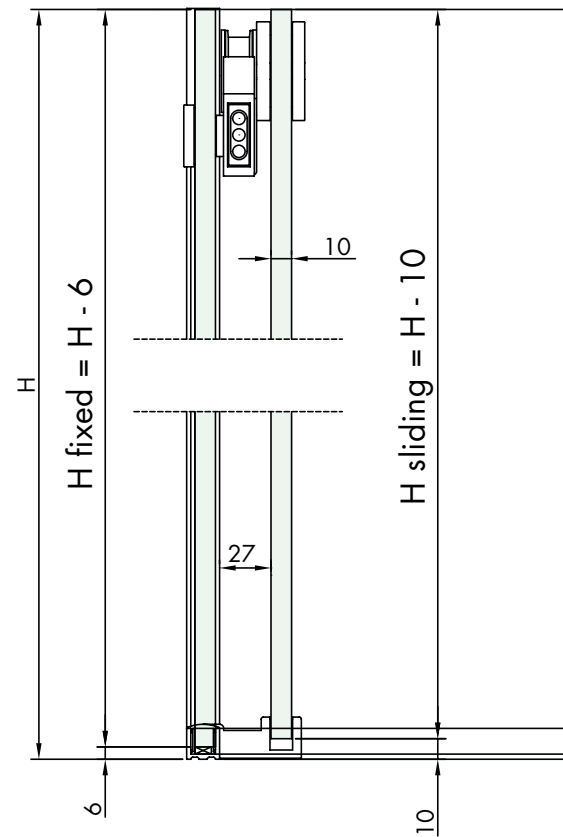
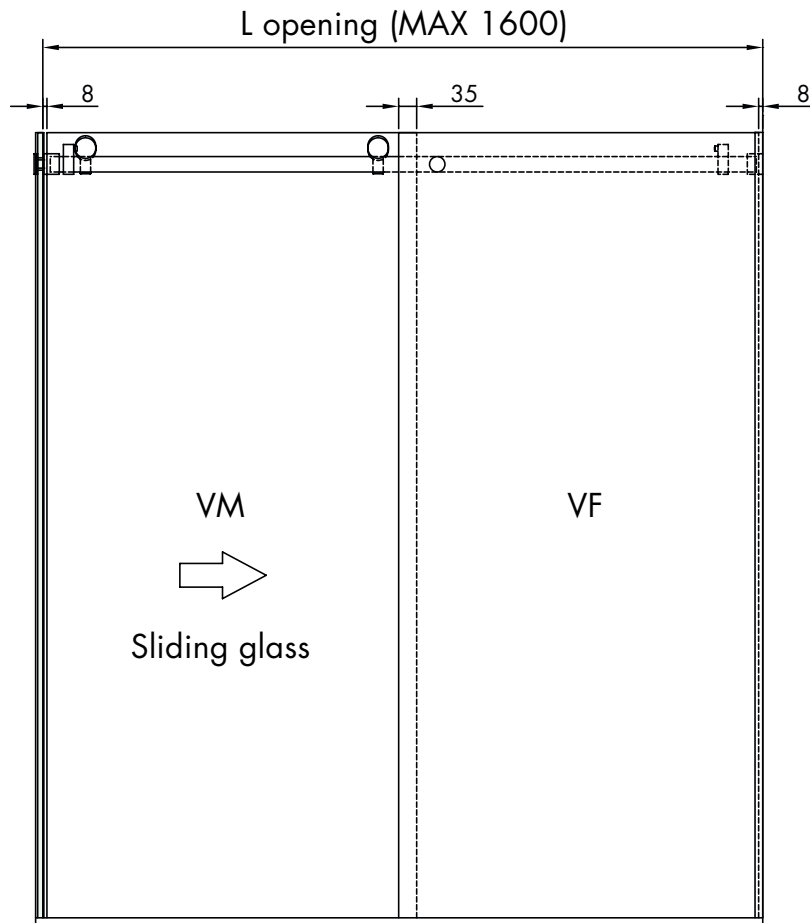


Warning: read the instructions carefully

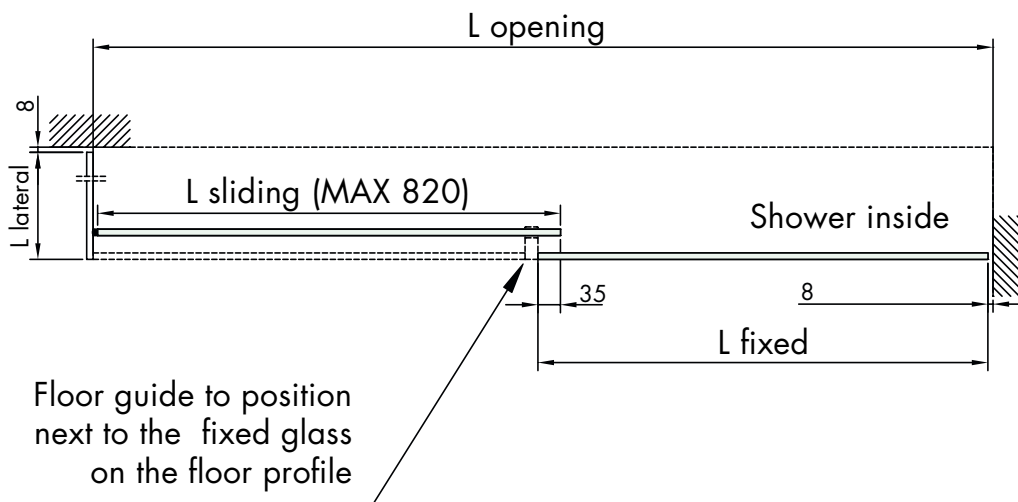
To reduce the risk of accidents, operators who install and / or use this product **MUST** read and understand these instructions.

DO NOT THROW
DELIVER TO USER

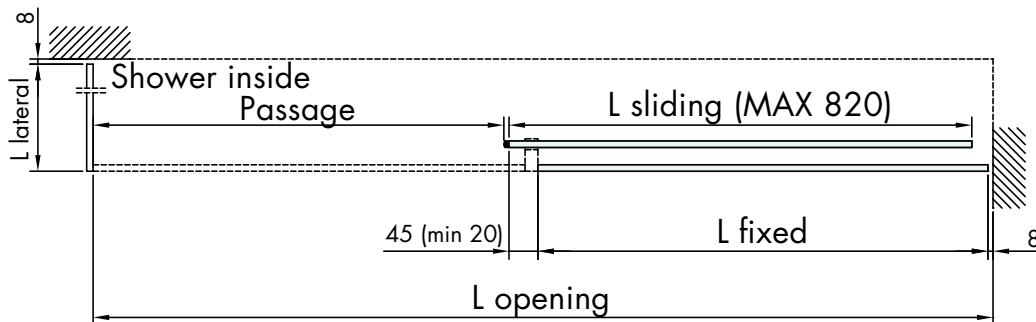
General dimensions



closed sliding door configuration

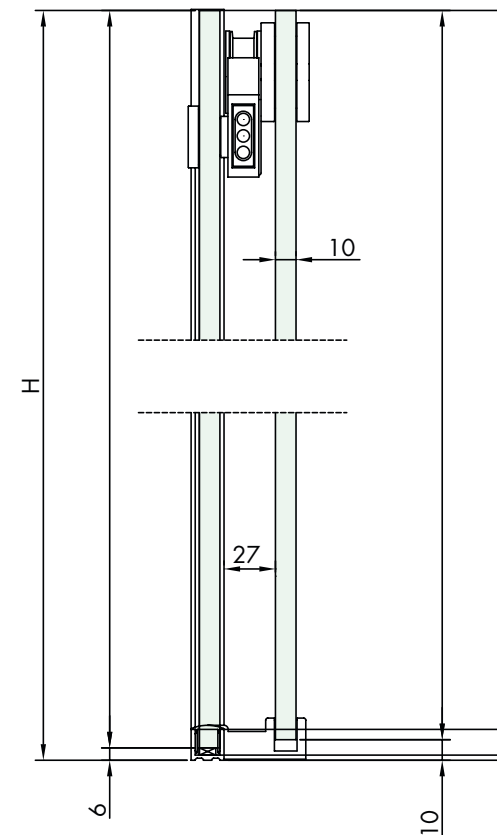
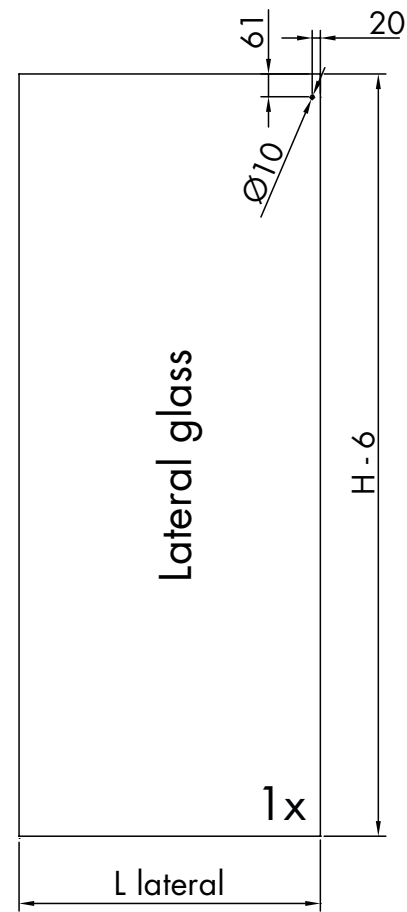
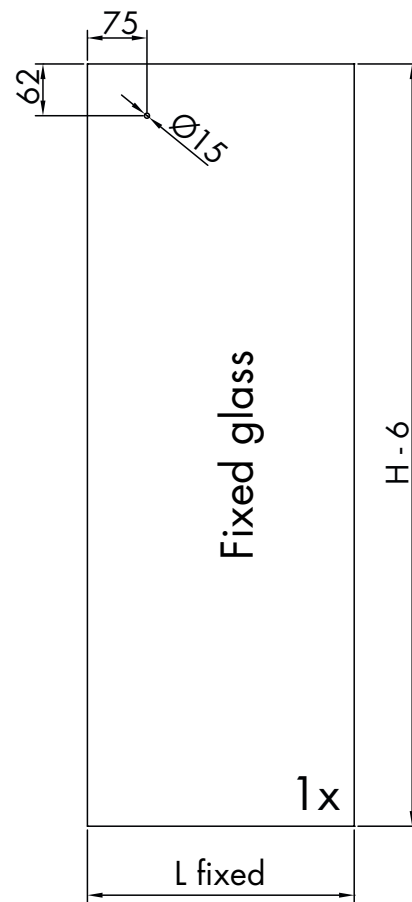
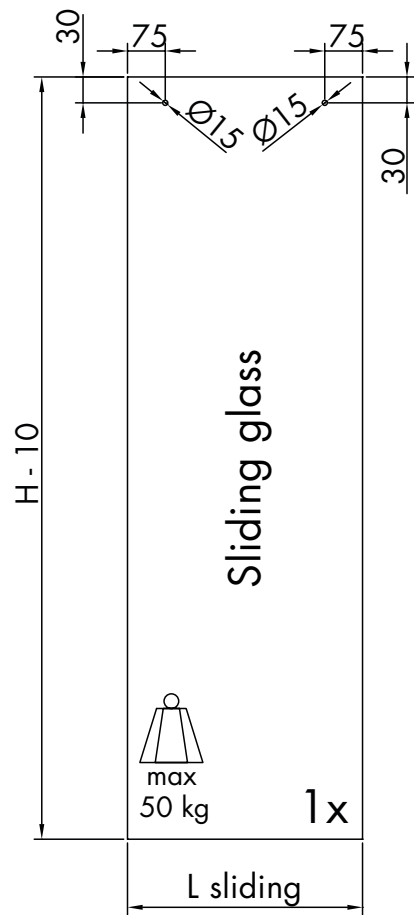


opened sliding door configuration



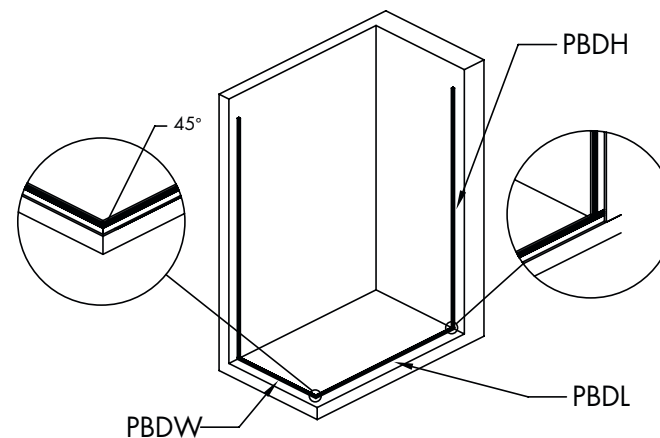
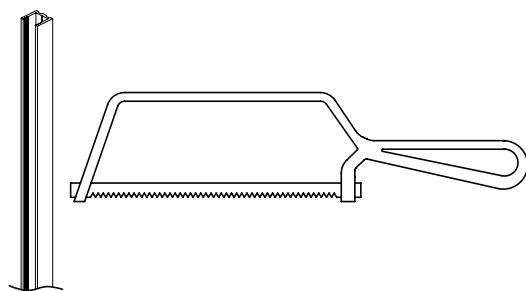
GLASS DIMENSIONING


- 1) Detect the L opening measurement
- 2) $L \text{ sliding} = (L \text{ opening} + 40) / 2$
- 3) $H \text{ sliding} = H - 10$
- 4) $L \text{ fixed} = L \text{ sliding} - 20$
- 5) $H \text{ fixed} = H - 10 = H - 6$
- 6) $\text{Passage} = (L \text{ opening} - 120) / 2$


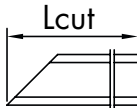



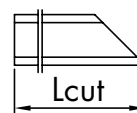
Profiles preparation

1. Measure the length of the opening L opening
2. Affix demarcation marks on the profiles to cut them to the desired dimensions
3. Cut profiles to desired size with appropriate cutting tools and personal protective equipment.
Be careful not to bend the profiles when cutting



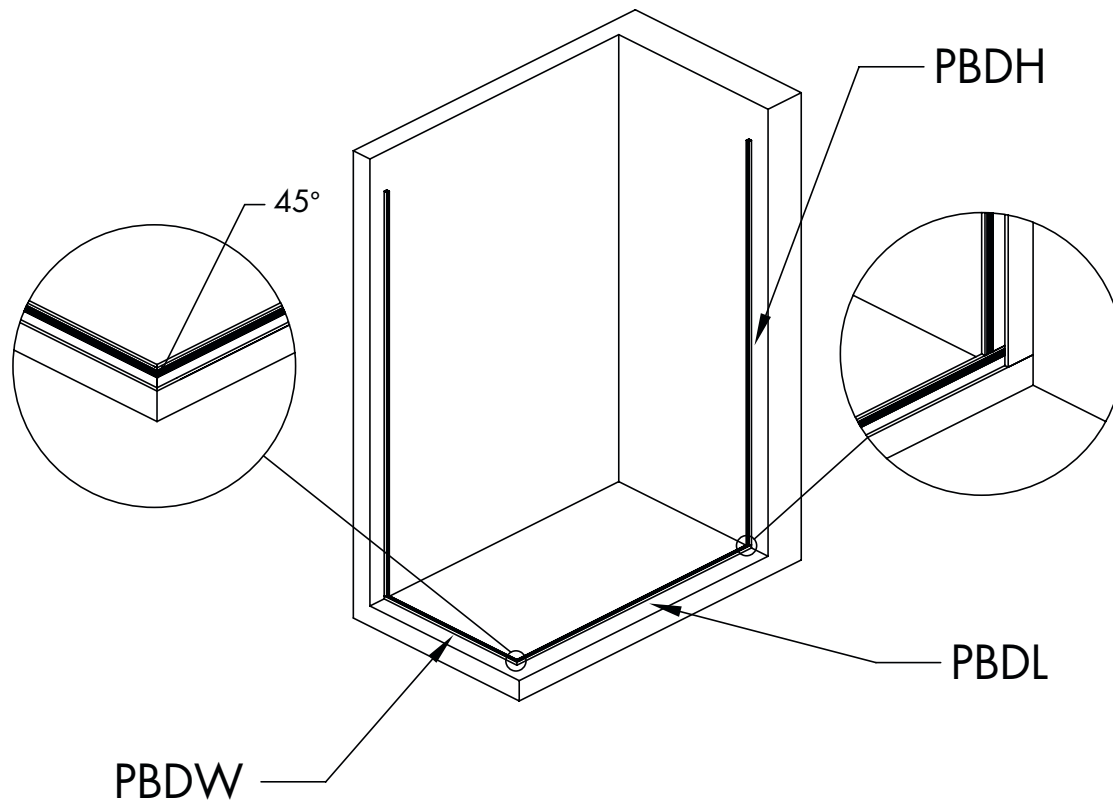
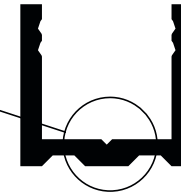
 PBDH (PBD3183) $L_{cut} = H - 12mm$

 PBDL (PBD3183) $L_{cut} = L_{opening} + 16mm$ 

 PBDW (PBD3183) $L_{cut} = L_{lateral} + 24mm$ 

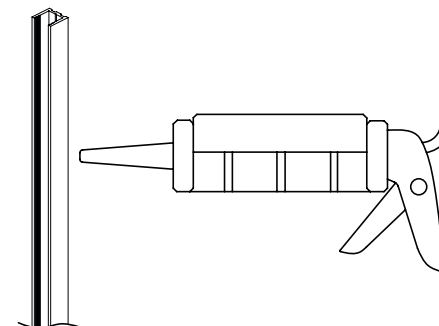
Profiles installation

4. Pre-drill the profiles using the appropriate guide rail

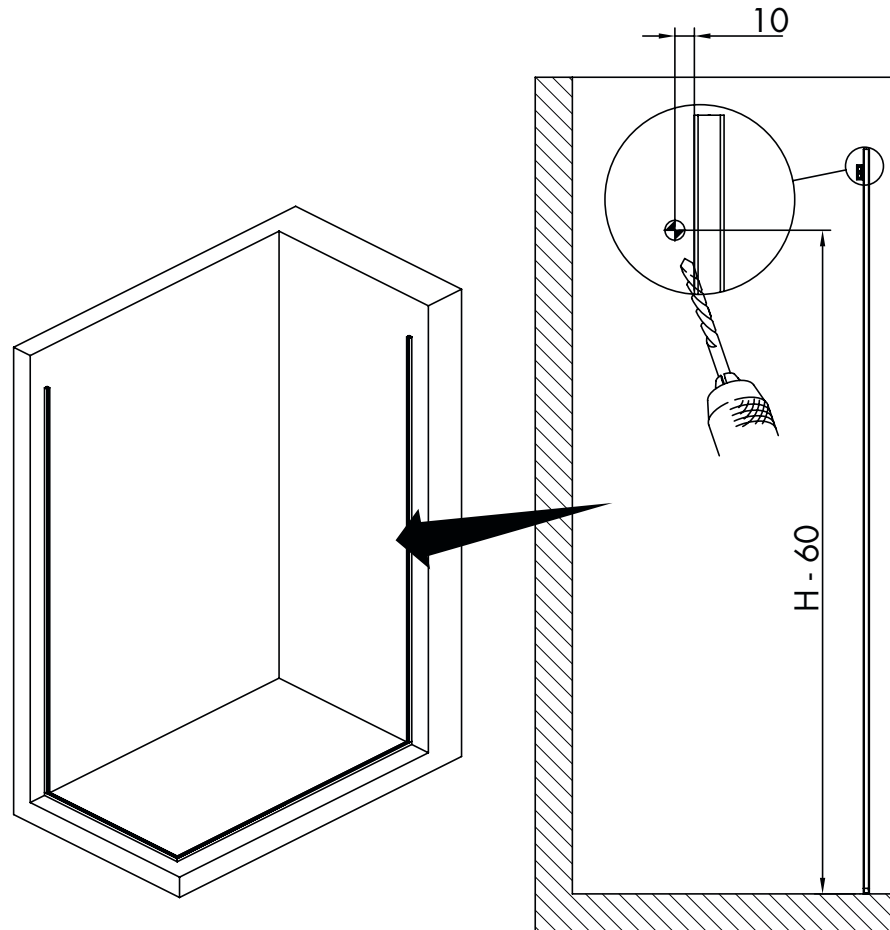


5. Install the profiles on the floor and on the wall

6. Seal profiles on the walls, from the interior sides of the shower enclosure

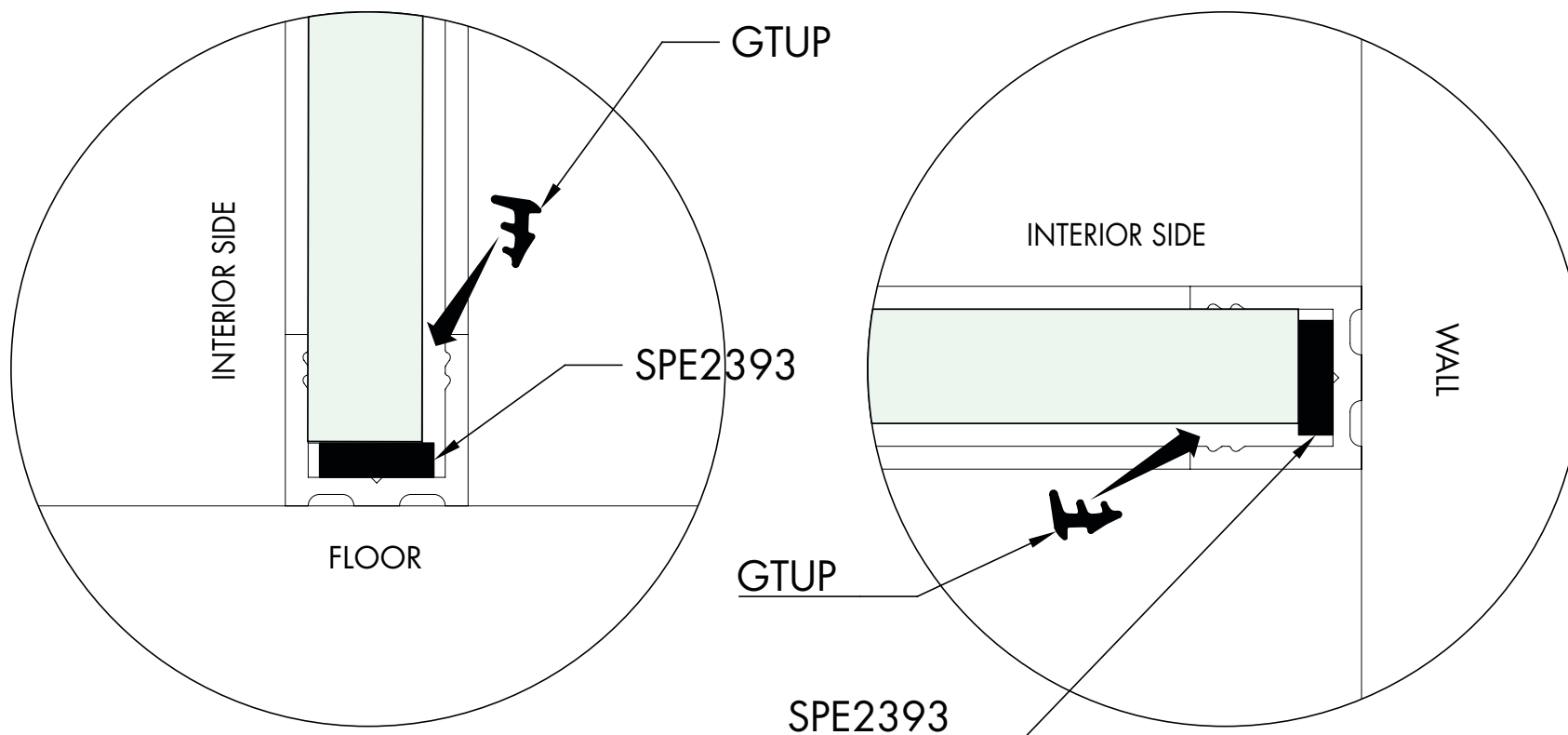


Preparing the installation of the sliding rail



7. Affix demarcation marks on the wall, at height H-60mm and 10 mm from the inside of the profile (use a plumb line)
8. Drill the two walls and insert the fixing accessories (plugs or others depending on the type of support)

Installation of fixed side glass



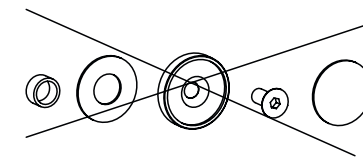
9. Insert shims type SPE2393 into the profiles to space the glass from the bottom of the profile
10. Insert the fixed side glass in the profiles by locking it with GTUP joints

Rail installation

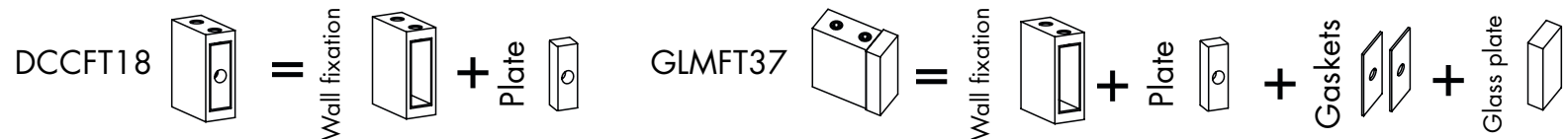
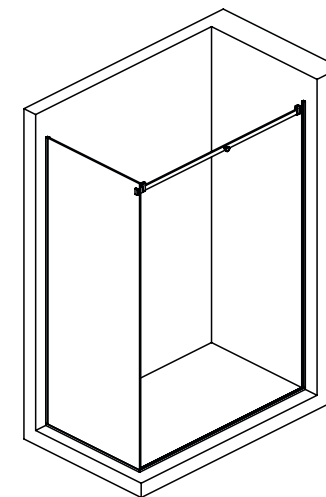
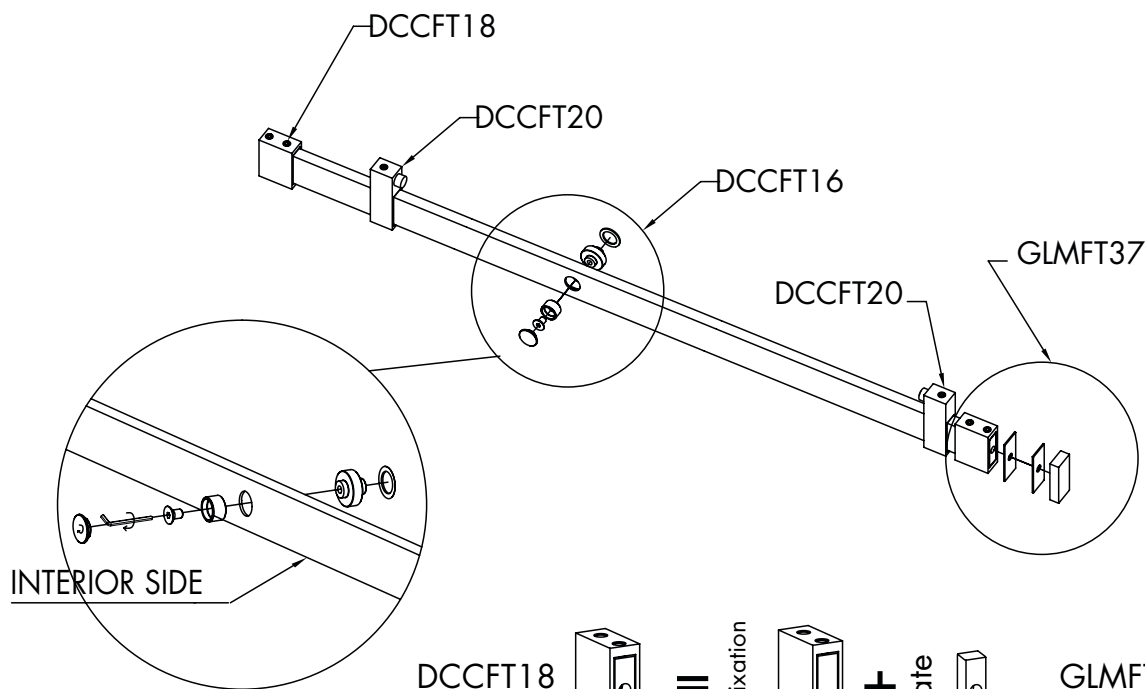
11. Insert the accessories on the rail taking care not to scratch it. Of the DCCFT18 and GLMFT37 accessories (glass and wall connection), only the bar clamp with the two screws facing upwards must be installed on the rail. Do not install the parts shown in the figure next to the DCCFT16 accessory

12. Attach the DCCFT18 & DCCFT37 accessory plates

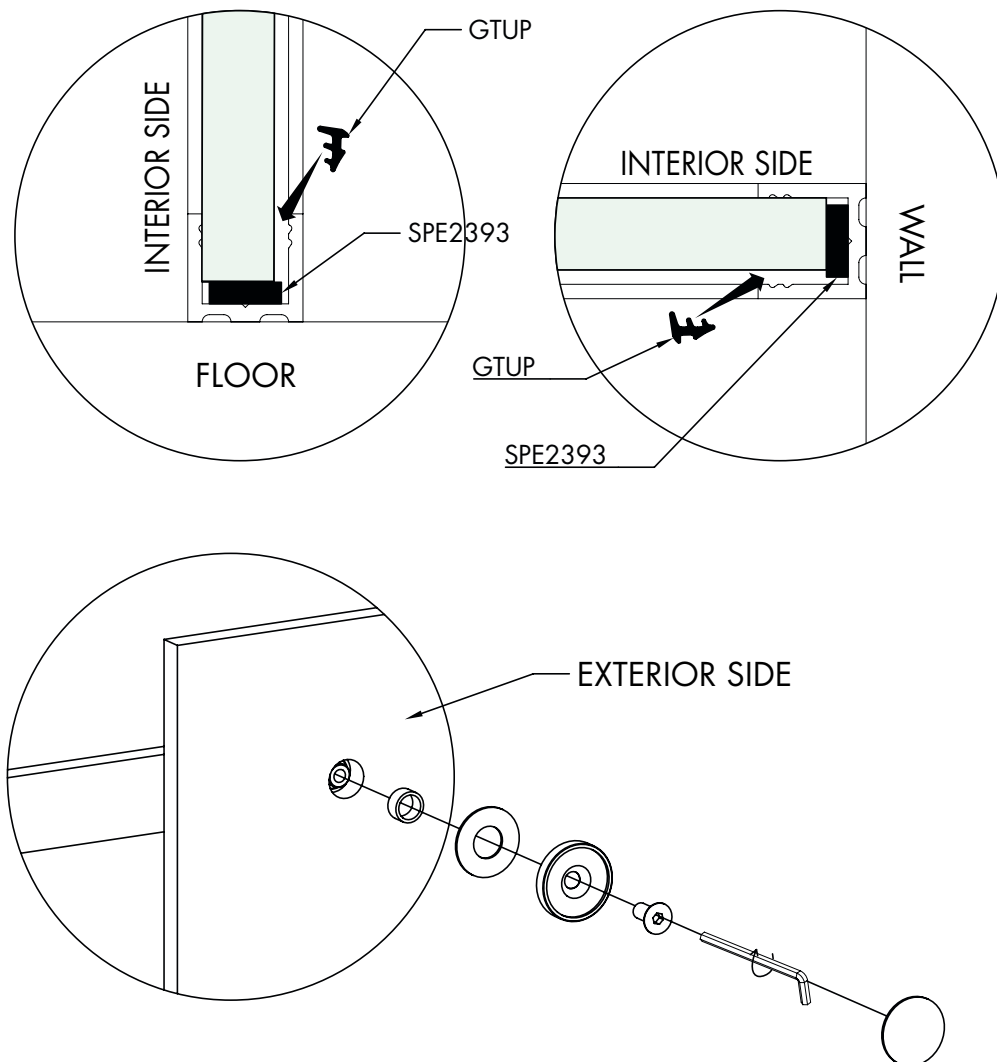
13. Install the rail by tightening the screws on the GLMFT18 & the GLMFT37 accessories



DCCFT16 - items not to install



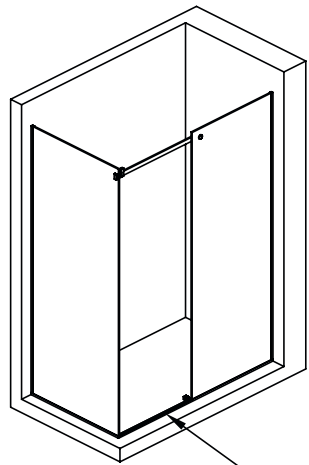
Fixed glass installation



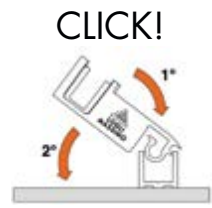
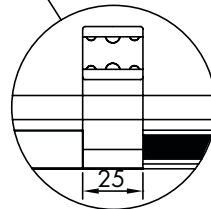
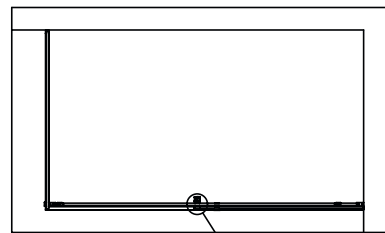
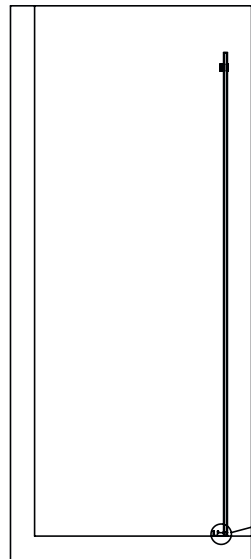
14. Insert shims into the profiles
15. Insert the fixed glass inside the profiles and lock it with a GTUP seal
16. Secure the fixed part to the guide using DCCFT16 accessories

NB: Use shims type SPE2393 to space the fixed glass and profiles

Installation of covers and floor guide

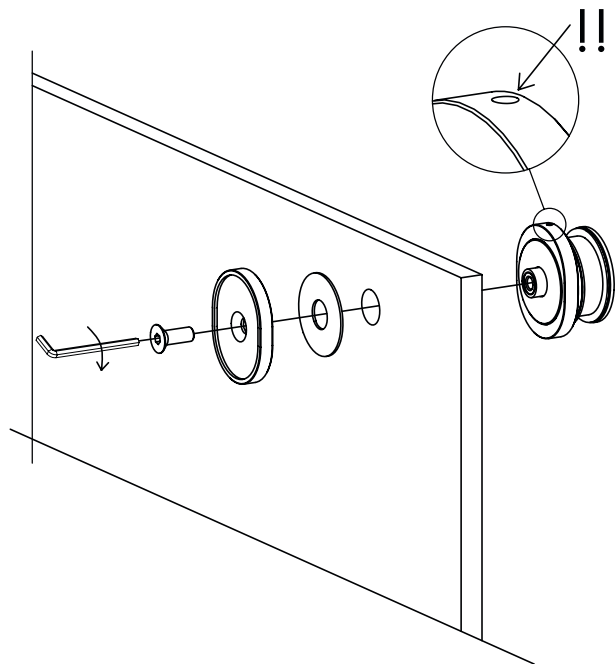


PBDCOVER

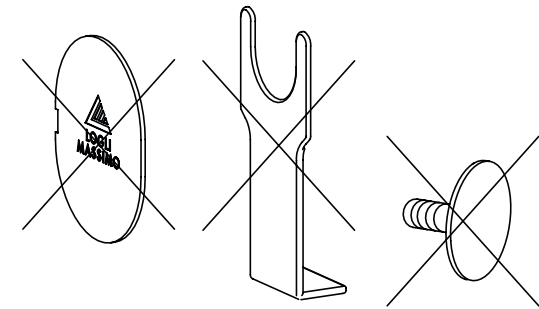


DCC08 / DCC10

17. Attach the DCC08 / DCC10 ground guides to the edge of the fixed glass using the seal system shown in the figure
18. Note the size of the PBD3184 profiles for an adjusted cut
19. Cut the profiles using appropriate cutting tools and personal protective equipment, being careful not to bend the profiles while cutting
20. Install the profile PBD3184 previously cut to the desired size

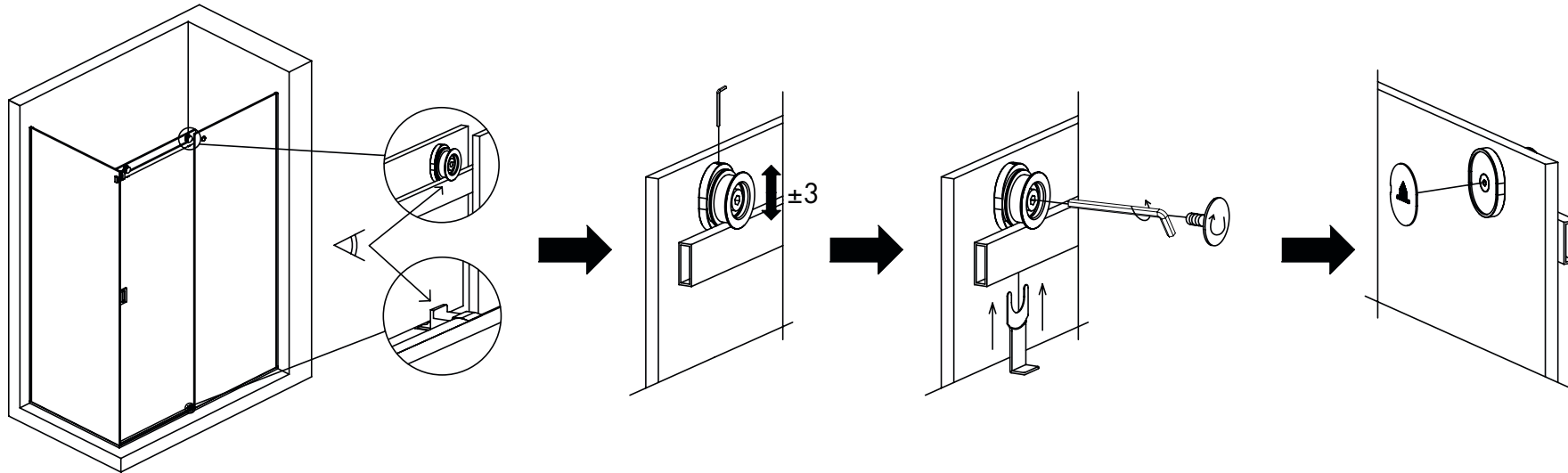


NO!

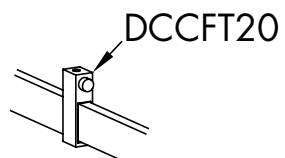


21. Pre-assemble the sliding rollers on the sliding door, as shown. Make sure the roller hole is on the top as shown

Do not install the components listed above!

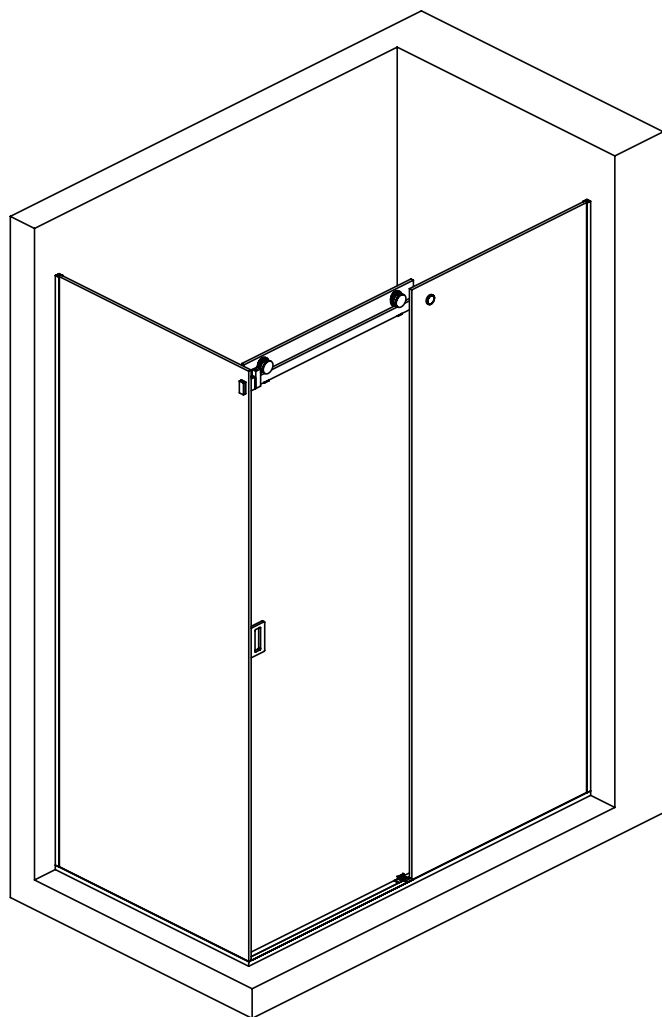


22. Insert the sliding door making sure that the rollers are correctly positioned relative to the rail / guide and that the sliding glass is positioned inside the floor guide
23. Adjust the vertical position of the rollers
24. Squeeze, slide and apply finish covers



25. Record the final position of the DCCFT20 by sliding the door and securing it to the rail using the appropriate keys

Final adjustments



26. Seal the joints inside the shower enclosure between the profiles and the fixed glass

27. Install GM gaskets

28. Install the adhesive handle

