

rev. 1,0

## INSTALLATION INSTRUCTIONS

# DOCCIA-FLAT SERIES

Corner roller model  
with glass panes aligned  
Glass 8 mm

## DCCFLAT003



EN 14428



LOGLI  
MASSIMO  
SAINT-GOBAIN



**DOCCIA-FLAT SERIES**

Corner roller model with glass panes aligned - Glass 8 mm

**DCCFLAT003**

**Composition of the kit**



DCCFTWALL



1 kit

GLMFT2000



1 Pc

PBD3183.220  
+ PBD3183.150



2 Pcs + 1 Pc

PBD3184.150



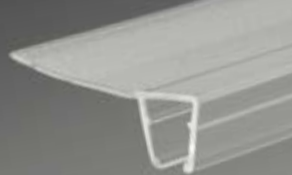
1 Pc

GTUP4



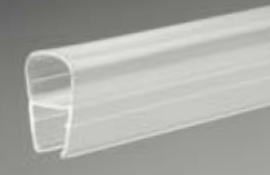
7 m

GM01422



1 Pc

GM0622



1 Pc

HAND10057VHB



2 Pcs

## Important information

### GENERAL INDICATIONS

- The exclusive use of safety glass is required (monolithic tempered or laminated)
- Do not install the product in environments characterized by the presence of aggressive chemical agents (pools, saunas, marine atmosphere, ...).
- Do not move the doors too fast.
- Do not move the doors with excessive force. Install and adjust the end stops correctly supplied in the kit.

### PROPER AND AUTHORIZED USE

- It is possible to install the product only indoors, protected from moisture and agents atmospheric (sun, wind, pollution, ...)
- The authorized use concerns manual opening and closing and at a running speed of 1 or more sliding glass panels inside a door.

### REQUIREMENTS OF GLASS PANELS AND ANCHORS

- The structure to which the product is anchored must be able to support permanent loads and have an adequate geometric linearity (maximum height of 2 mm every 1000 mm).
- The anchors must be correctly selected according to the type of structure and the weight of the suspended parts of the product (including glass panels).
- The exclusive use of safety glass (monolithic, tempered or laminated) is required.
- Never use panels that are not intact or otherwise damaged.
- During adjustment phases, make sure that the glass never comes into contact with potentially dangerous parts because of its integrity (metal parts, masonry, ...).
- Never exceed the appropriate tightening torques; too tight a tightening does not correspond to a better tightening and can cause permanent damage to the product, to the anchoring structure and to the glass panels.

### INSTRUCTIONS FOR MAINTENANCE AND CLEANING

- Replace damaged and / or worn parts immediately.
- Before installation, always degrease the areas of the glass panels on which the clamping elements (clamps) will be installed
- Use non-aggressive, non-greasy detergents for cleaning.
- Regularly check the level of wear of the components and the correct operation of the product.
- Use only original spare parts.

### SAFETY INSTRUCTIONS

- The installation requires the simultaneous presence of two operators.
- Wear appropriate personal protective equipment including gloves, shoes and goggles.
- Only qualified and trained operators can perform the installation and commissioning of the product.
- Always avoid direct contact between glass and metal.




### END OF LIFE

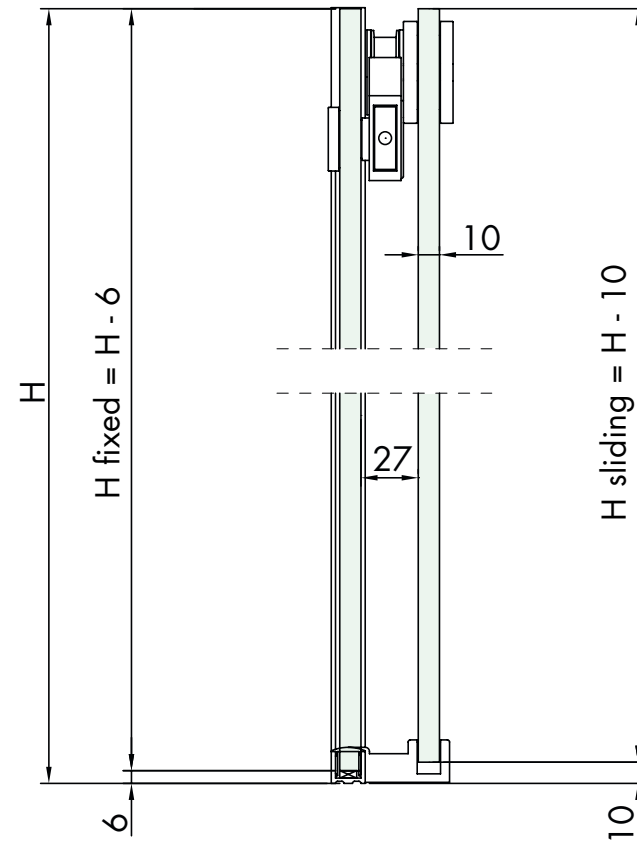
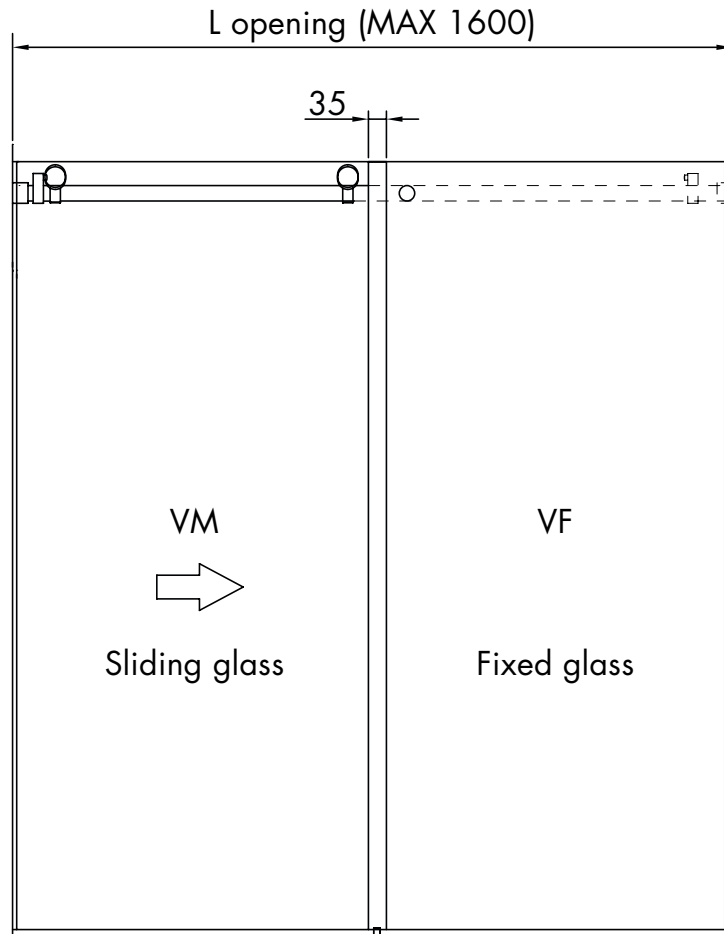
- The product disassembly procedure must be performed by two operators.
- Wear appropriate personal protective equipment including gloves, shoes and goggles.
- Only qualified and properly trained operators can disassemble the product.

Disposal of the product must be carried out in accordance with the national regulations in force regarding waste and environmental protection. In particular, follow the instructions below:

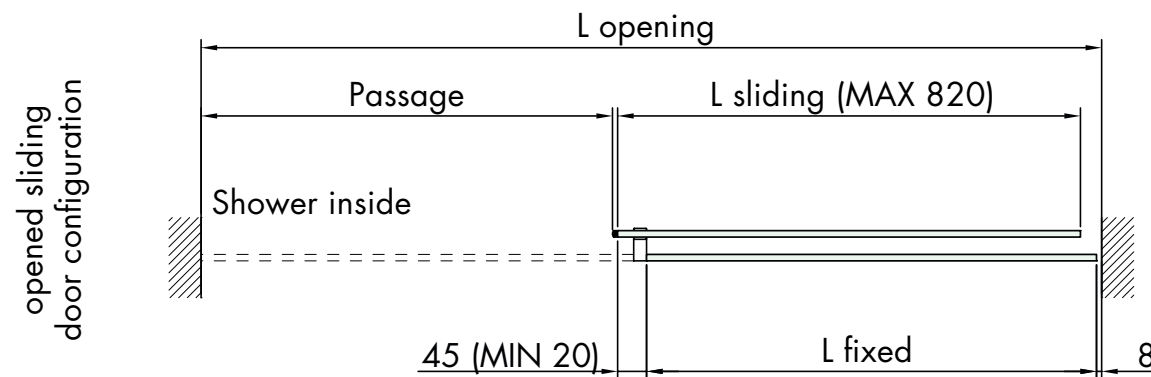
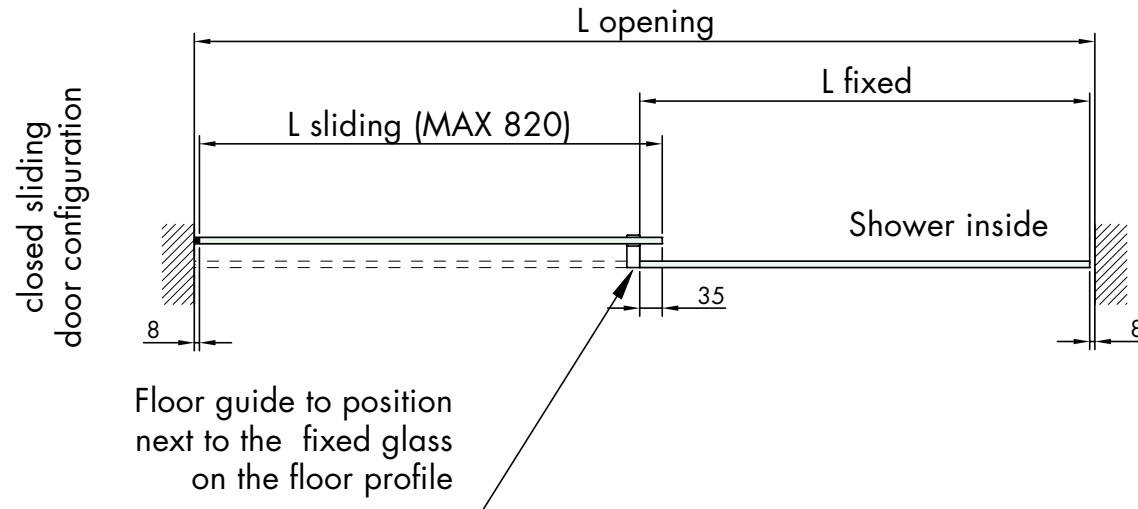
- plastic, rubber and similar parts must be sent to an approved center;
- materials made of aluminum, iron and metal in general must be sent to an approved recycling center;
- the glass parts must be sent to an authorized disposal center.

	<b>Warning: read the instructions carefully</b>
	<p>To reduce the risk of accidents, operators who install and / or use this product <b>MUST</b> read and understand these instructions.</p> <p><b>DO NOT THROW DELIVER TO USER</b></p>

**General dimensions**



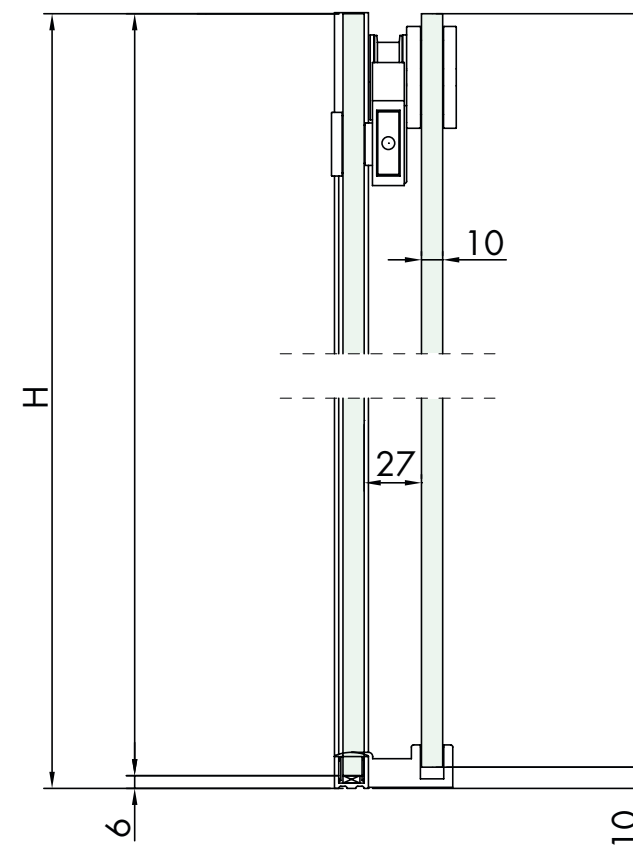
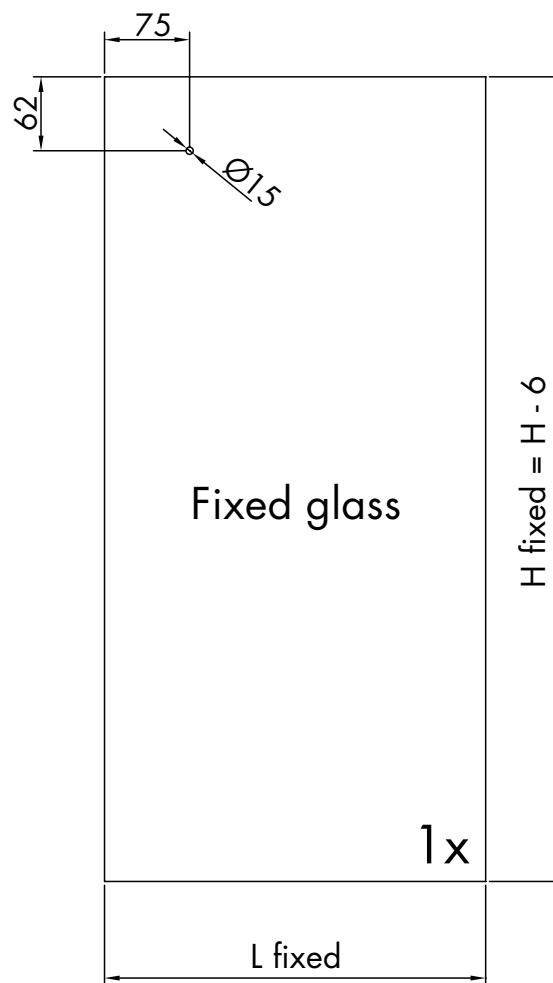
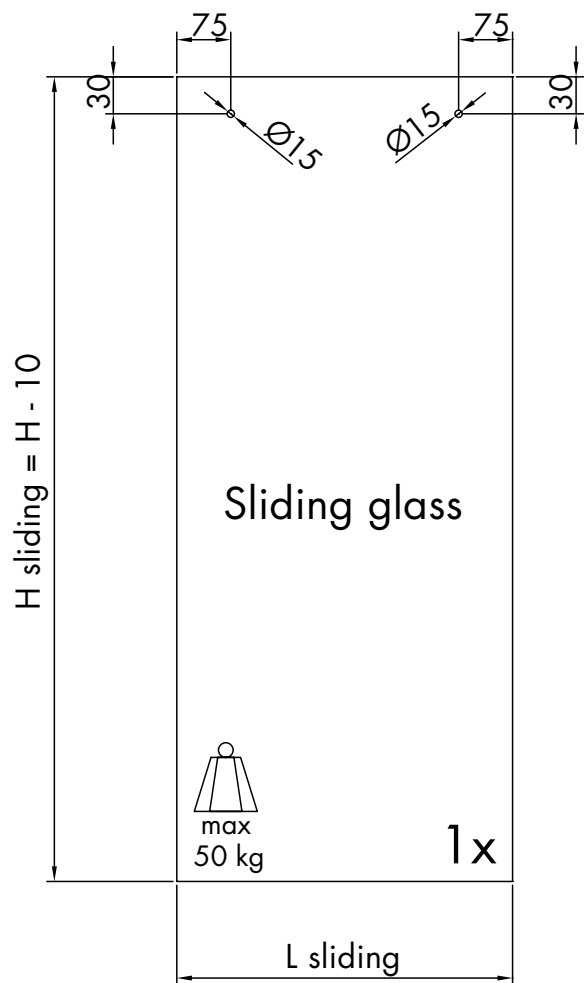
**General dimensions**



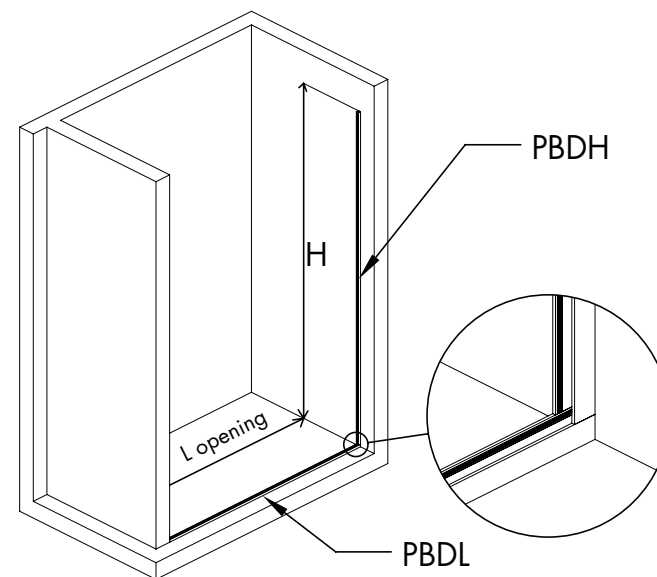
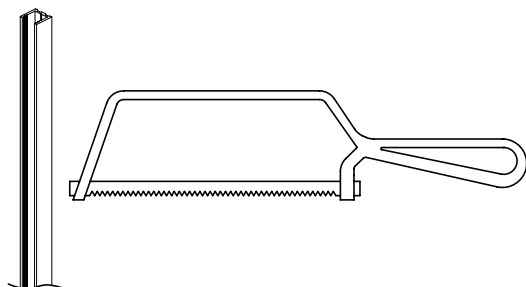
**GLASS DIMENSIONING**

- 1) Detect the L opening measurement
- 2)  $L \text{ sliding} = (L \text{ opening} + 40) / 2$
- 3)  $H \text{ sliding} = H - 10$
- 4)  $L \text{ fixed} = L \text{ sliding} - 20$
- 5)  $H \text{ fixed} = H - 10 = H - 6$
- 6)  $\text{Passage} = (L \text{ opening} - 120) / 2$

Glass preparation



1. Measure the length of the opening L opening
2. Affix demarcation marks on the PBDH and PBDV profiles to cut them to the desired dimensions
3. Cut profiles to desired size with appropriate cutting tools and personal protective equipment.  
Be careful not to bend the profiles when cutting

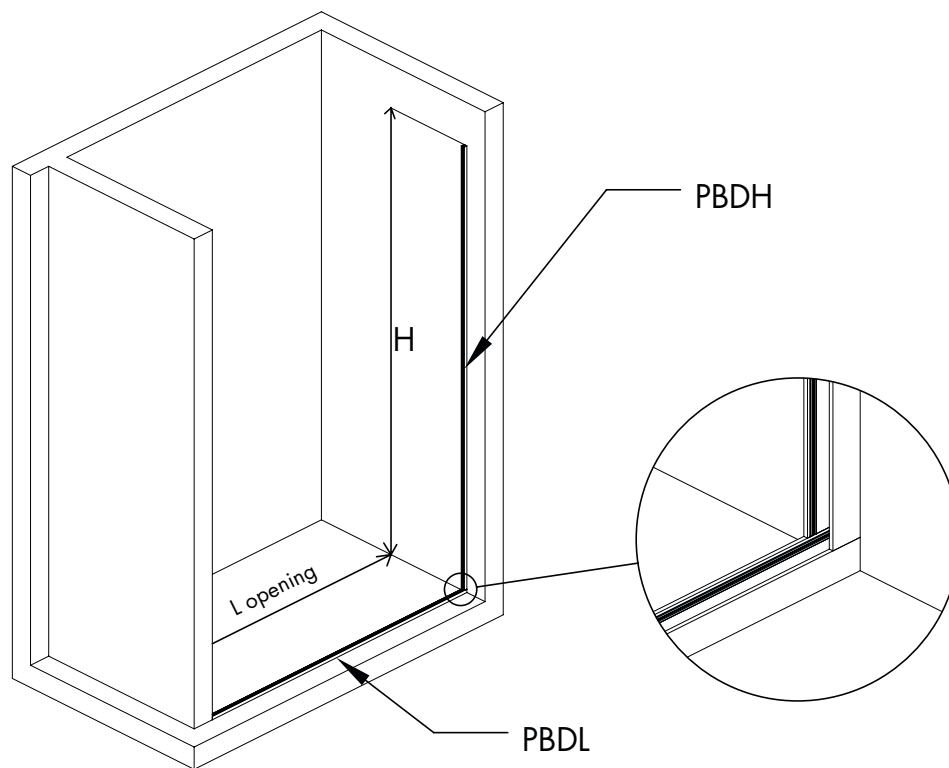
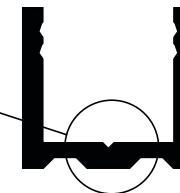


PBDH (PBD3183)  $L = H - 12\text{mm}$



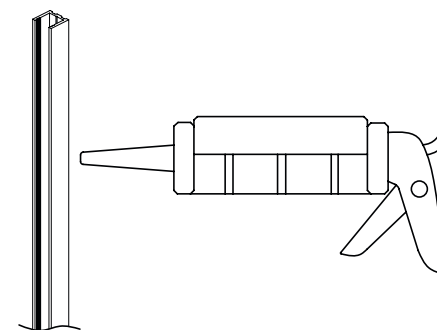
PBDL (PBD3183)  $L = L \text{ opening}$

4. Pre-drill the profiles using the appropriate guide rail

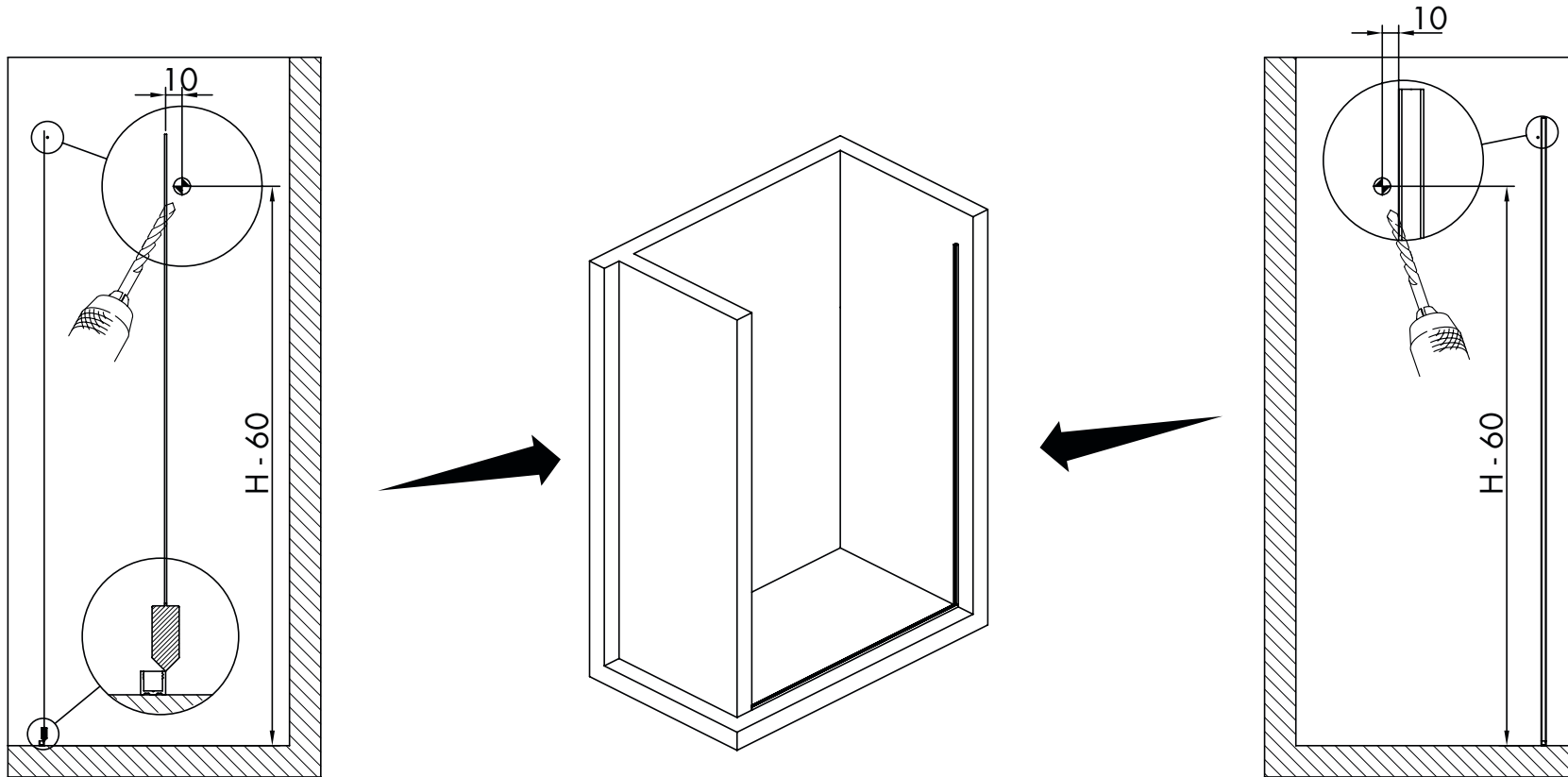


5. Install the profiles on the floor and on the wall

6. Seal profiles on the walls, from the interior sides of the shower enclosure



**Preparing the installation of the sliding rail**



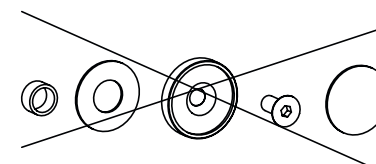
7. Affix demarcation marks on the wall, at height H-60mm and 10 mm from the inside of the profile (use a plumb line)
8. Make the hole taking care to choose the diameter of the hole according to the anchoring cap of the accessory DCCFT18

**Rail installation**

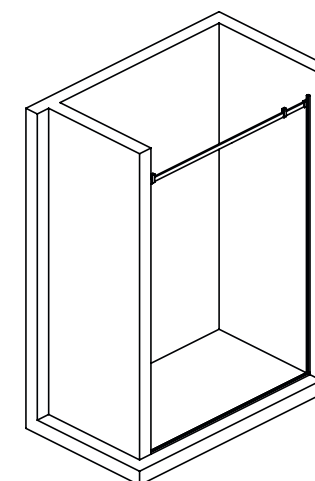
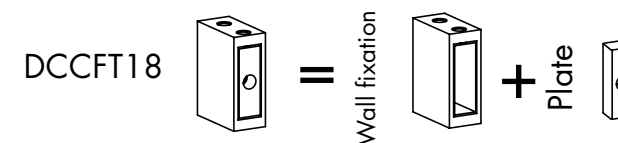
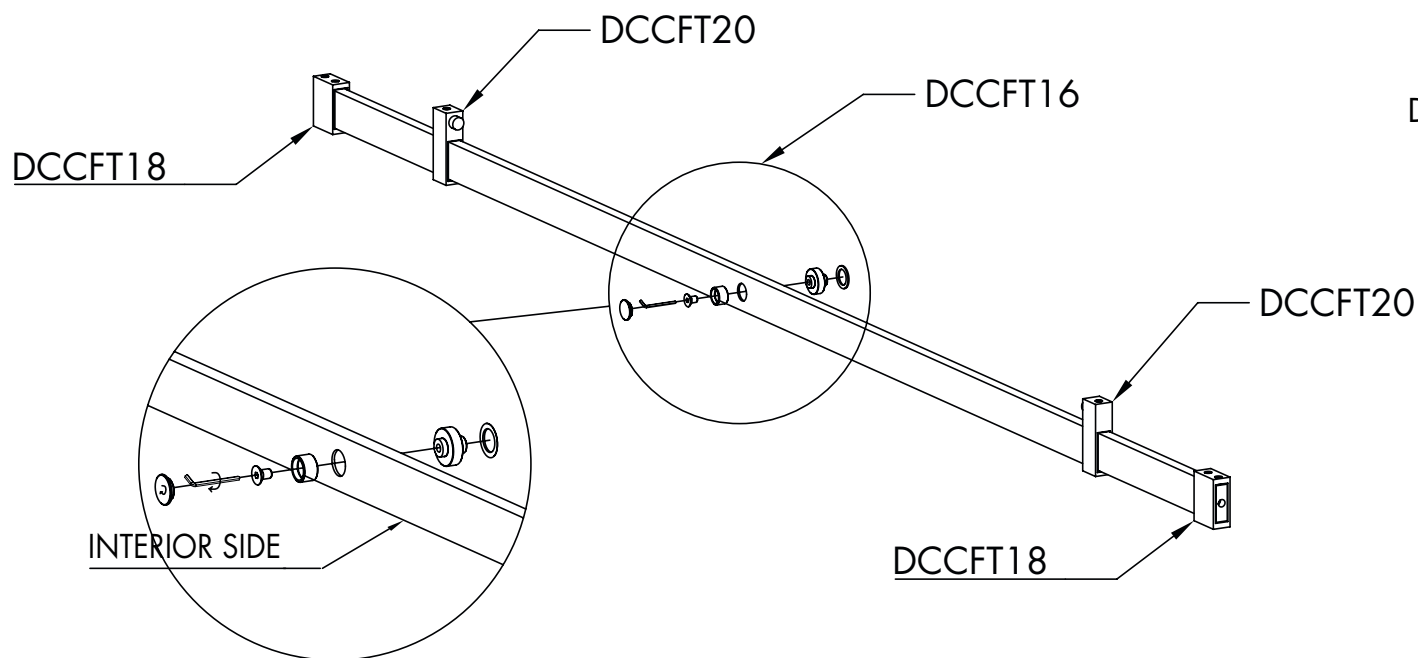
9. Insert the accessories on the rail taking care not to scratch it. Of the DCCFT18 accessories (wall connection), only the bar clamp with the two screws facing upwards must be installed on the rail. Do not install the parts shown in the figure next to the DCCFT16 accessory

10. Attach the DCCFT18 accessory plates

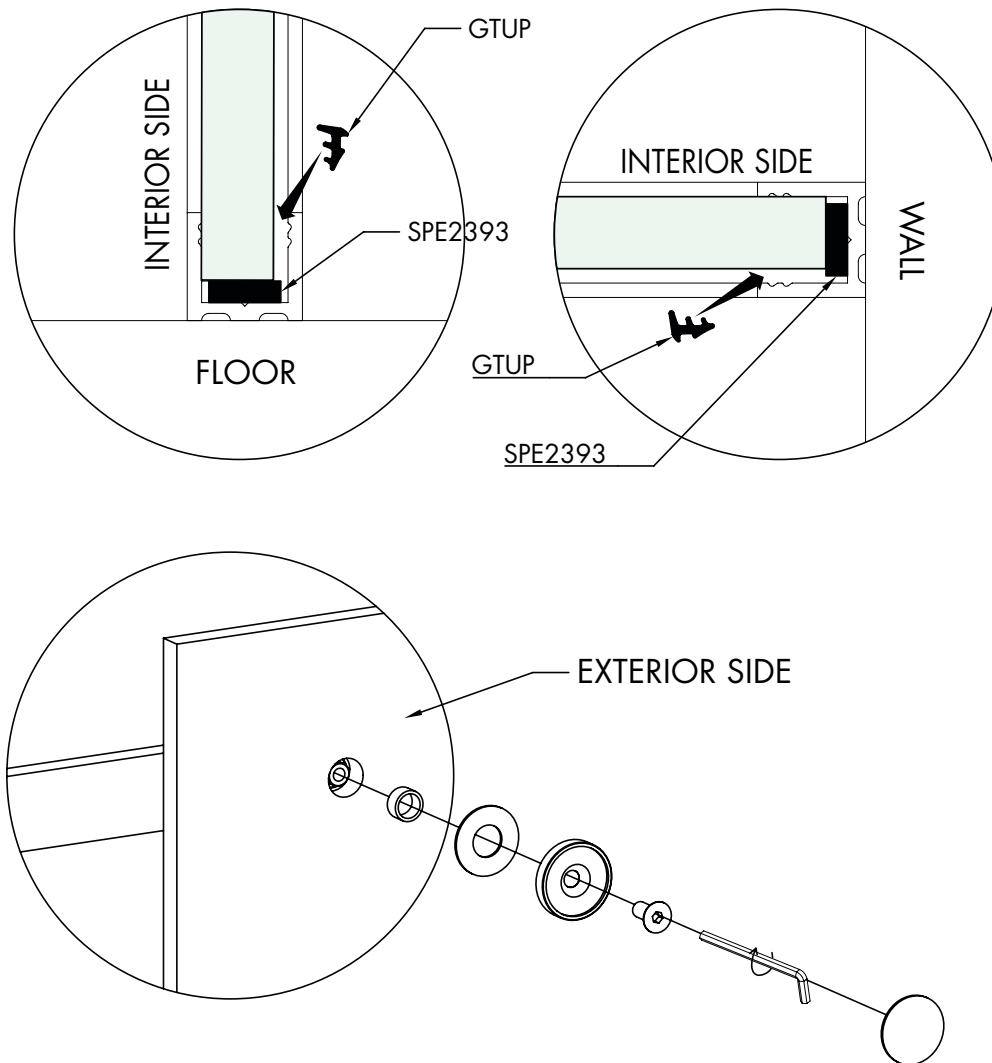
11. Install the rail by tightening the screws on the GLMFT18 accessories



DCCFT16 - items not to install



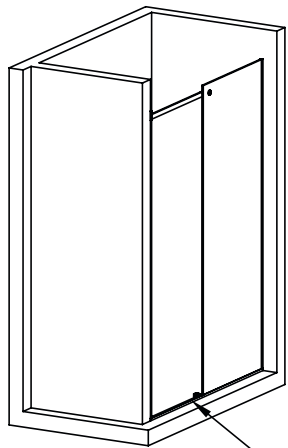
**Fixed glass installation**



12. Insert shims into the profiles
13. Insert the fixed glass inside the profiles and lock it with a GTUP seal
14. Secure the fixed part to the guide using DCCFT16 accessories

NB: Use shims type SPE2393 to space the fixed glass and profiles

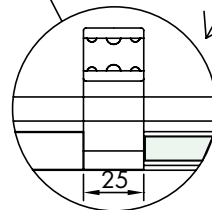
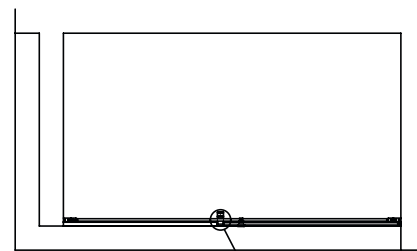
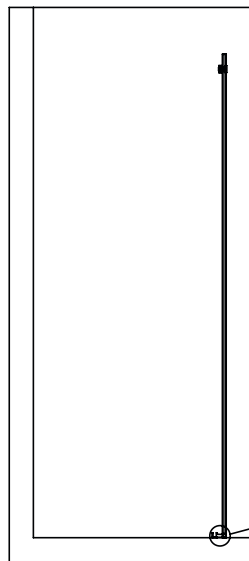
**Installation of covers and floor guide**



PBD3184

!!TAKE THE MEASUREMENTS  
BEFORE CUTTING THE PROFILES!!

PBD3184

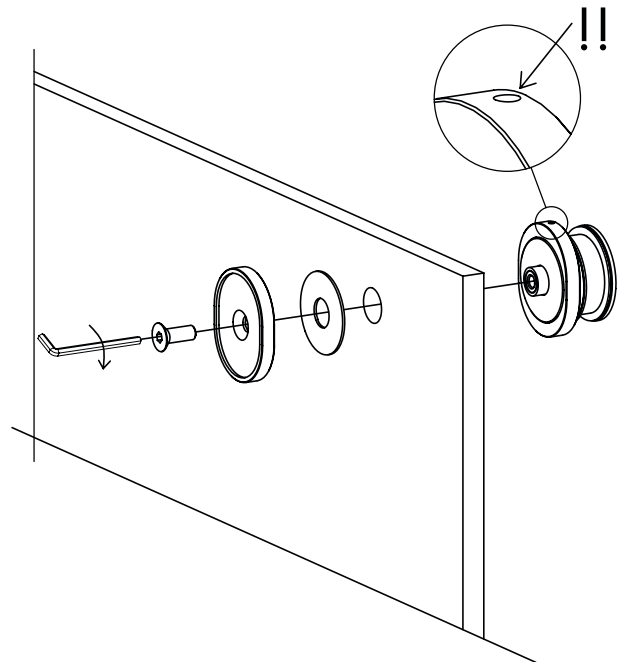


CLICK!

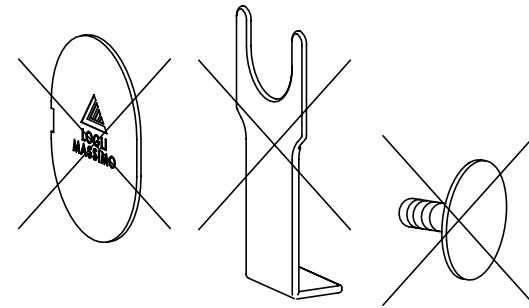


DCC08 / DCC10

15. Attach the DCC08 / DCC10 ground guides to the edge of the fixed glass using the seal system shown in the figure
16. Note the size of the PBD3184 profiles for an adjusted cut
17. Cut the profiles using appropriate cutting tools and personal protective equipment, being careful not to bend the profiles while cutting
18. Install the profile PBD3184 previously cut to the desired size

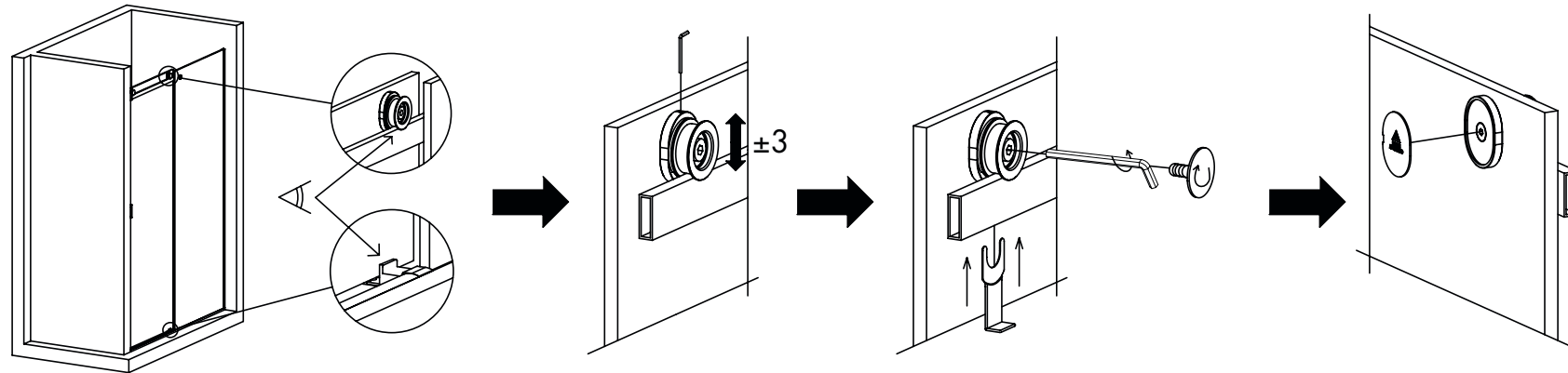


**NO!**

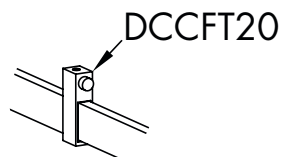


19. Pre-assemble the sliding rollers on the sliding door,  
as shown. Make sure the roller hole is on the top as shown

Do not install the components listed above!

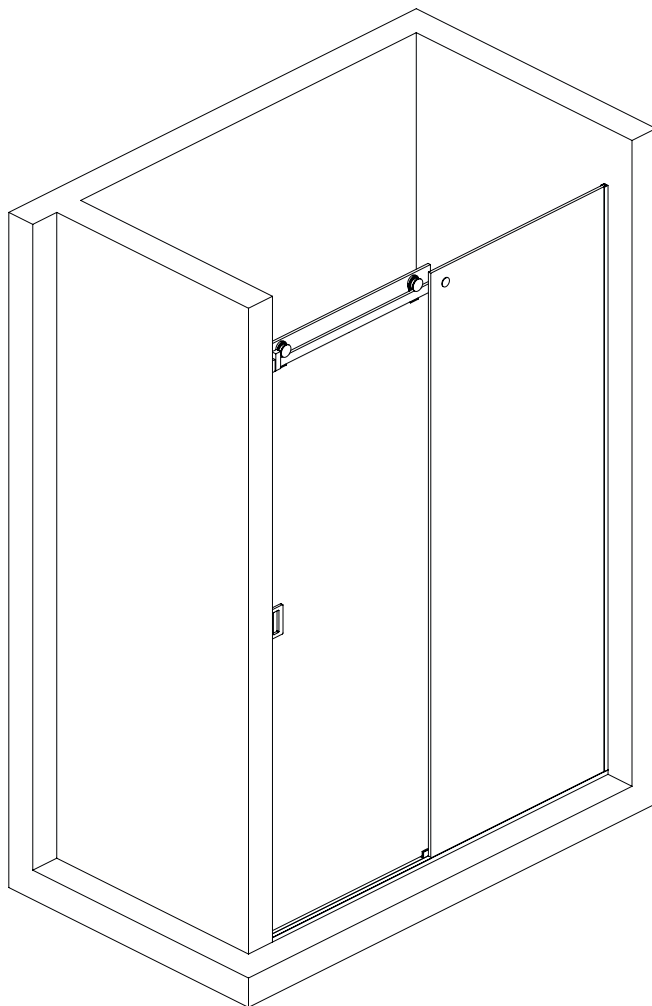


20. Insert the sliding door making sure that the rollers are correctly positioned relative to the rail / guide and that the sliding glass is positionned inside the floor guide
21. Adjust the vertical position of the rollers
22. Squeeze, slide and apply finish covers



23. Record the final position of the DCCFT20 by sliding the door and securing it to the rail using the appropriate keys

**Final adjustments**



24. Seal the joints inside the shower enclosure between the profiles and the fixed glass

25. Install GM gaskets

26. Install the adhesive handle

