

1
2
3
4
5
6

CATALOGUE
SHOWERS

Second Edition

Sliding showers

Hinged showers

Open showers

Accessories for shower walls

FINISHES



/1
Chrome



/2
Gold



/3
Brushed nickel



/4
Bronze



/5
White



/6
Matt black



/7
Matt chrome



/8
Brushed steel



/9
Machining steel (CNC)



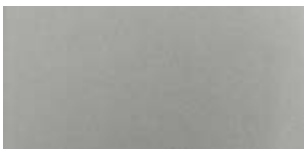
/10
Raw aluminium



/15
Polished steel



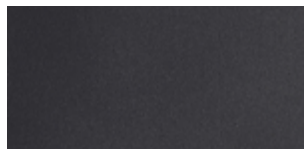
/24
Brushed steel effect



/45
Matt aluminium effect



/56
Grey



/65
Matt black



/66
Champagne aluminium



/67
Dark brushed bronze aluminium



/73
Polished black nickel



/83
PVD brushed steel



/88
Brushed steel effect aluminium



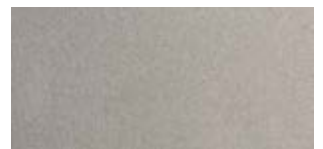
/89
Galvanised iron



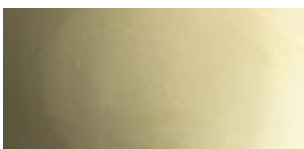
/90
Machining aluminium



/91
Polished aluminium



/92
Matt nickel



/93
Brass coated



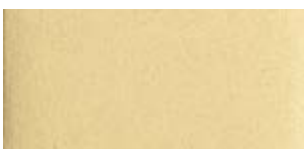
/94
Brushed chrome



/95
Nickel-coated



/97
Matt aluminium



/99
Brushed gold



/R2
RAL9005 matt black



/R6
RAL9016 matt traffic white



/R13
RAL7016 matt anthracite grey




/R25
RAL Rubigo



/RAL
RAL9010 polished white

CATALOGUE SHOWERS

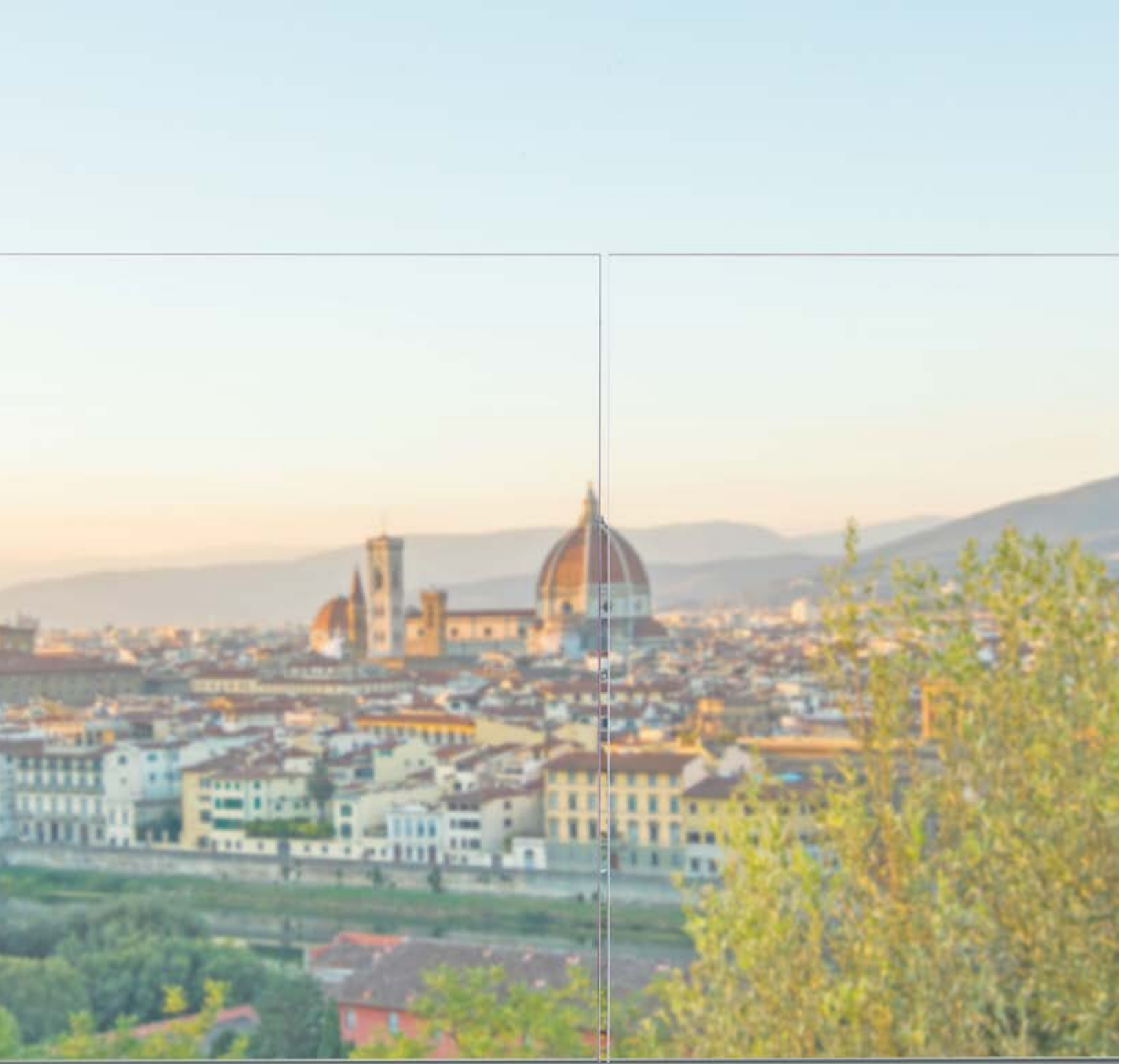
SLIDING SHOWERS	Page 18
HINGED SHOWERS 	Page 146
ACCESSORIES FOR SHOWER WALLS	Page 360

SINCE 1989

INNOVATION SERVING DESIGN FOR MORE THAN 35 YEARS

Since 1989 we are committed to satisfying the needs of glassworks, installers, and designers, offering advanced solutions that guarantee the utmost comfort. Our mission is to provide high-tech, long-lasting, reliable, high-quality products designed to exceed the expectations of every customer.





INNOVATION AND RESEARCH

OUR TECHNOLOGICAL APPROACH

Thanks to our laboratory and a team of specialised engineers, we are able to design and develop custom solutions for glassworks, installers, and interior designers. Our highly qualified personnel provide constant customer support through technical consultation and training courses.

Active collaboration with universities and national and international research institutes such as TÜV, the Politecnico di Milano, CSTB (France), and LSL (Germany) guarantee access to specialized skill and equipment when verifying systems such as balustrades, canopies, doors, and glass partitions. This enables the highest quickness and efficiency in developing new products and supporting customers with ad hoc laboratory tests.





AVIS
TECHNIQUE



ABP
Allgemeines
bauaufsichtliches
Prüfzeugnis

**British
Standard**
6180:2011

UNI 11678:2017

NTC 2018

NBN B 03-004

ALUMINIUM ASSOCIATION
***EUROPEAN
EURAS
ASSOCIATION
WAA
ANODISERS ASSOCIATION

Qualanod



• **TEST REPORT** •
Politecnico di Milano

GINGER
CEBTP

LUCIDEON

Certificates and testing reports apply to selected products depending on the type and intended use.





THE WAREHOUSE AND WORKSHOP

EFFICIENCY, WIDE PRODUCT RANGE, AND IMMEDIATE AVAILABILITY

The unique features that makes the Logli brand stand out on the market include facility, personnel, product, and especially the service. With more than 7000 items in stock, we guarantee immediate availability not only of the simplest accessories, but also the most complex systems. Through important investments in four automated vertical warehouses and advanced logistics management, we guarantee order shipments in Italy within 24 hours and quick and prompt delivery.

WE ARE **BUILDING THE FUTURE**

90% of materials manufactured in Italy

A technical and sales network of
300 professionals with nationwide
coverage across Italy

1 product out of **4** did not exist 5 years ago

A **carbon neutrality**
target by 2050

- Design and innovation
- Energy and water efficiency
- Thermal and acoustic comfort
- Safety, seismic performance, fire protection



Designs, manufactures and distributes materials for safety and living comfort, found in every type of living space: buildings, transport, infrastructure and numerous industrial applications.



80 countries	100 TOP 100 most innovative companies in the world	162,000 employees
400 patents filed each year	46,5 billion € total revenue in 2024	450 million € invested in R&D in the last year

With 360 years of history behind it, the Group offers next-generation materials and integrated solutions designed to create more comfortable and sustainable living spaces, contributing to people’s well-being and helping protect the planet, while standing as a global benchmark for the efficient use of natural resources and environmental stewardship.



In Italy, Saint-Gobain operates in the construction materials, transport and industrial sectors.

Around 2.100 employees	1,1 billion € revenue in 2024	42 production sites
-------------------------------	--------------------------------------	----------------------------



CONSTRUCTION

New generations of materials, 90% manufactured in Italy, designed to create outstanding living spaces and improve everyday quality of life, thanks to solutions designed to build more energy-efficient buildings and reduce energy consumption and polluting emissions.



TRANSPORT

Production and worldwide distribution of glass for the automotive, aerospace, rail, marine and industrial vehicle sectors.



INDUSTRY

A wide range of solutions: abrasive products, ceramic products for the glass furnace and steel industries, technical adhesive tapes forming a unique high-performance range, and specialty chemicals for construction.



SUSTAINABILITY AT SAINT-GOBAIN: A GROUP STRATEGY

In 2020, the Saint-Gobain Group defined its purpose: **“Making the world a better home”**. Its ambition is to improve everyone’s life by making the planet a fairer, more sustainable, open and inclusive place to live. Together with our customers, and for them, **we design materials and solutions that deliver well-being, living comfort and safety, while caring for the planet.** Our purpose is a call to action: a future-focused strategy that challenges us to innovate while respecting the bond between humanity and nature. Saint-Gobain **aims to be recognized as the world leader in sustainable construction, improving the everyday lives of all those who use its solutions. This commitment goes beyond our operations and processes: it also means bringing to market solutions that actively contribute to the sector’s decarbonization targets.**

Being a leader means driving systemic transformation by embracing values, commitments and actions that inspire change, becoming a point of reference for all stakeholders. The Group’s geographical organization makes it possible to offer tailored solutions for the specific needs of local markets, in terms of construction methods and styles, building systems and distinctive climate conditions, both for the renovation of existing buildings and for new construction.



BETTER FOR THE PEOPLE, BETTER FOR THE PLANET

At Saint-Gobain, we view our social and environmental responsibility as an opportunity to create value together with our stakeholders. By building relationships based on mutual trust, we believe we can raise awareness of sustainability issues and create virtuous momentum for the long-term development of the business.



BETTER FOR THE PEOPLE

For employees, collaborators, suppliers and partners, this means strengthening our corporate culture through strong governance, **a focus on health and safety, continuous training and the creation of an inclusive working environment.**

For local communities, we are committed to **supporting solidarity initiatives through the Saint-Gobain Foundation**, while also helping young talent by promoting the **Architecture Student Contest**, an annual competition for students from Architecture and Building Engineering faculties around the world.



BETTER FOR THE PLANET

Construction is one of the sectors with the greatest influence on the future of the planet; **construction and sustainability are inseparable.** Our operations have an environmental impact in terms of emissions, energy consumption, water withdrawal and the use of natural resources. The Group’s value proposition is built on **sustainable and efficient products and construction methods, designed to minimize environmental impact** in manufacturing processes and engineered to **maximize performance** throughout the entire life cycle of buildings, making a significant contribution to the sector’s decarbonization and circularity goals. Saint-Gobain Italia is certified ISO 14001:2015 and ISO 9001:2015.

OUR COMMITMENT TO THE ENVIRONMENT

How our materials can contribute to the various sustainability certifications.



Reducing energy consumption and polluting emissions is one of Saint-Gobain's top priorities. The company develops, manufactures and distributes innovative solutions to create more energy-efficient buildings. A **passive building envelope**, which helps prevent energy loss, is the most economically sustainable solution for improving building efficiency.

Many of our products contain recycled material: we are constantly committed to increasing this share, helping to reduce the use of raw materials and the environmental impacts associated with their life cycle.

The Saint-Gobain Group has developed several projects aimed at **recovering value from waste**, reducing energy consumption and using fewer raw materials..

LCA
Life Cycle Assessment

Great importance is placed on Life Cycle Assessment (LCA): this study evaluates the flows of materials and energy associated with the different phases of a product's life (raw material extraction, production, use and end-of-life disposal). The aim of the analysis is to assess the environmental impacts associated with the different phases of the product life cycle, in order to optimize production processes from an environmental sustainability perspective.

EPD
ERIFIED

Closely linked to Life Cycle Assessment is EPD® certification (Environmental Product Declaration). The purpose of the Environmental Product Declaration is to communicate the environmental information generated by the LCA study in a standardized format and according to common predefined rules, known as PCRs (Product Category Rules). Many products of the Saint-Gobain Group hold this certification.

CERTIFIED
cradle to cradle

The Cradle to Cradle Certified® Product Standard is a certification program for sustainable products. This certification assesses products based on their environmental and social impact throughout their entire life cycle. It ensures that materials meet rigorous sustainability standards aimed at reducing environmental impact. The program provides a comprehensive framework for evaluating materials and products across five essential sustainability categories.

KM ZERO

Saint-Gobain's strong nationwide footprint, in Italy, with production sites and logistics hubs across the country, helps limit road transport and therefore polluting emissions, promoting the use of **locally sourced materials**.

INDOOR AIR COMFORT
eurofins
GOLD
CERTIFIED PRODUCT

EUROFINS Indoor Air Comfort GOLD certification is based on a protocol that verifies and certifies low VOC emissions from products to ensure indoor air quality. It is awarded only after rigorous laboratory testing confirming compliance with the most stringent national and international emission limits. This certification is particularly important for construction materials and interior products, as it guarantees a positive contribution to indoor air quality.

GREEN BUILDING COUNCIL
GBC
ITALIA

As part of its commitment to promoting a responsible and environmentally aware approach, Saint-Gobain has chosen to join GBC Italia as an ordinary member.

ENVIRONMENTAL SUSTAINABILITY STANDARDS



The **LEED® v5** standard, which updates and will progressively replace LEED® v4 and v4.1, is based on a system of prerequisites and credits for the design, construction and operation of sustainable buildings and areas.



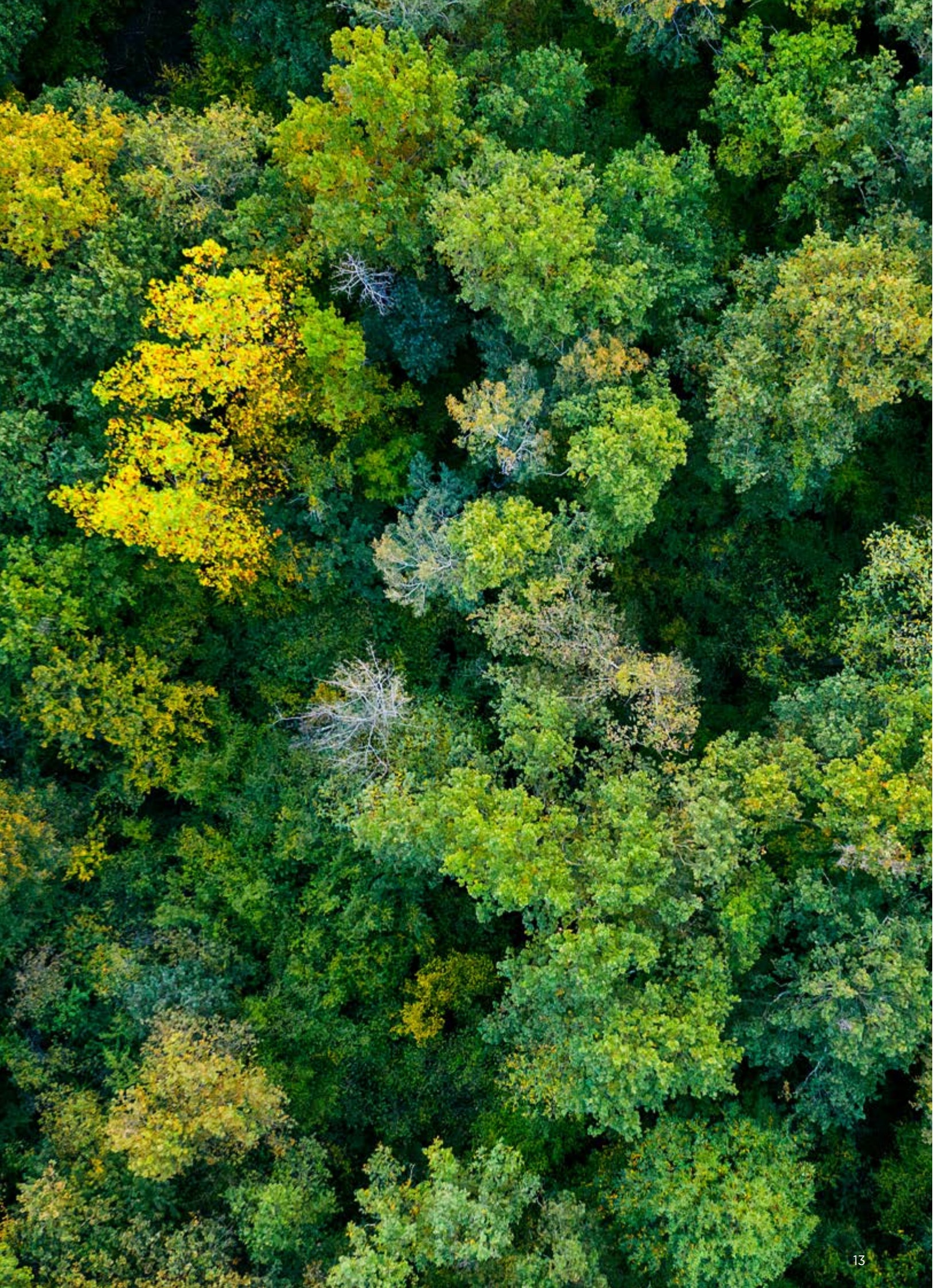
The **BREEAM® v7** system (Building Research Establishment Environmental Assessment Method) is based on the assessment of a building's design, construction and use.



The **WELL® v2** protocol is designed to integrate aspects related to people's health and well-being into the design and construction phases of buildings.



The Ministerial Decree of 24 November 2025 defines the new **CAM Building Criteria 2025** for the procurement of design services and works relating to the construction, renovation and maintenance of public buildings.





UPDATED COLLECTION 2026

6 VOLUMES

1770 PAGES

The series consisting of 6 volumes that covers the entire range of glass solutions designed by Logli. The collection is designed to provide a complete, detailed overview of all the articles offered by Logli.

Each volume deals extensively with a specific product series, offering technical information combined with practical applications.

It is the ideal compendium for those looking for high-quality glass solutions.

All volumes are
available for download by
scanning the QR code.



All **Logli** solutions in a **single** place.

Volume 1
BALUSTRADES

Volume 2
OUTDOORS

Volume 3
INDOORS

Volume 4 Updated
SHOWERS

Volume 5 Updated
ARRANGEMENT

Volume 6 Updated
ACCESSORIES FOR GLASSWORKS





CATALOGO
PARAPETTI

Profilo DEFENDER
Essaggi puntuali
Montanti
Corrimano



SLIDING SHOWERS





GOCCIA 35
Page 20



GOCCIA 35 ACCESSORIES
Page 44



GOCCIA 50
Page 54



GOCCIA 50 ACCESSORIES
Page 74



GLMFLAT
Page 84



GLMFLAT ACCESSORIES
Page 101



DCCFLAT
Page 110



DCCFLAT ACCESSORIES
Page 124



GIUMAX
Page 130



GIUMAX ACCESSORIES
Page 141

GOCCIA 35

Design

The MINIMAL shower system: reduced dimensions for a range of complete solutions.

For glass thicknesses 6 or 8 mm, with a maximum load of 35 kg.

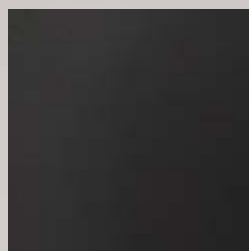
Finished track and aluminium cover.

MAXIMUM AESTHETICS AND FUNCTIONALITY

Complete kits for every type of installation, including STOPS or SOFTBREAK dampers.

Simple installation with the utmost long-term functionality.





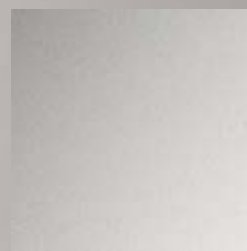
/6
Matt Black



/88
Brushed steel effect
aluminium



/91
Polished aluminium



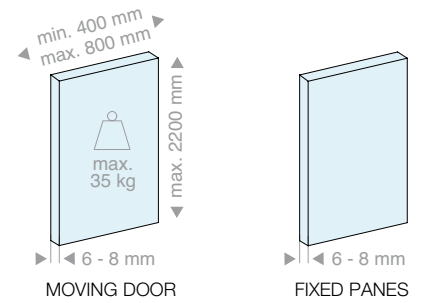
/97
Matt aluminium



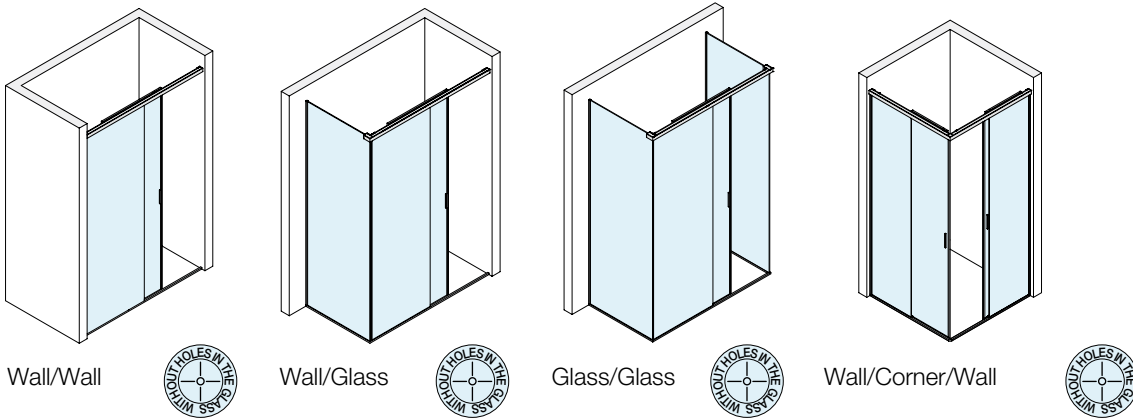
GOCCIA 35

Technical properties

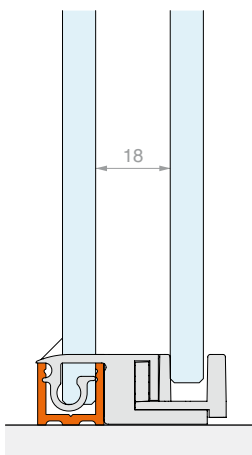
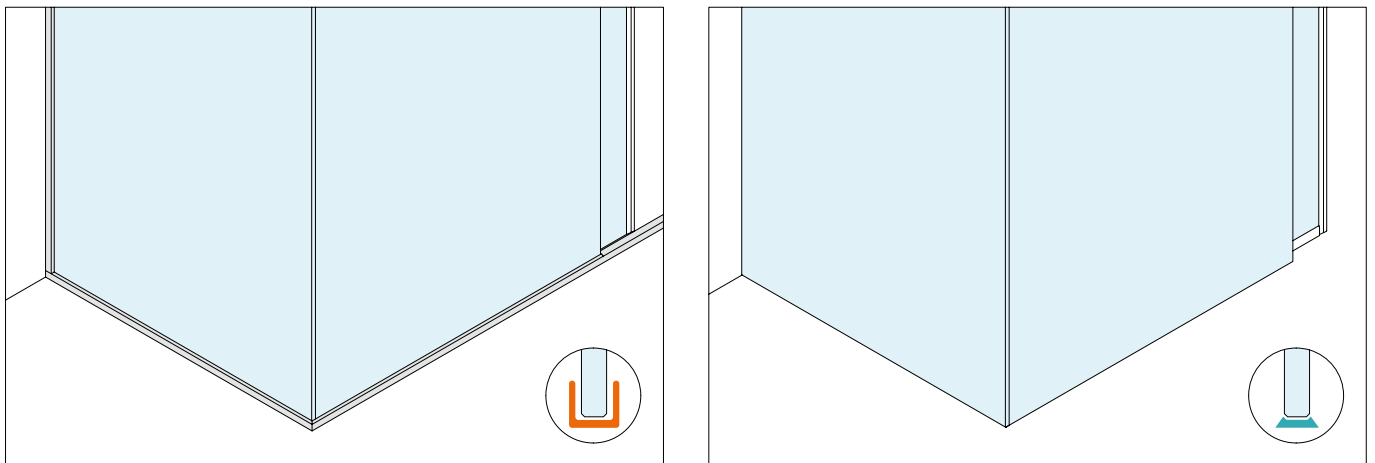
The system has a unique load-bearing aluminium profile, 35 mm x 40 mm, offering a wide range of personalised solutions to meet the needs of every client and supporting doors weighing up to 35 kg. In addition, the distance between the fixed glass and moving door is just 18 mm, while the bottom rail has a quick-release mechanism to facilitate cleaning. The system includes a dual Softbreak damper system when opening and closing the door, with a stopping distance of 60 mm. The unique feature of this system is the ease of assembly. It is also highly functional and reliable over time.



4 configurations

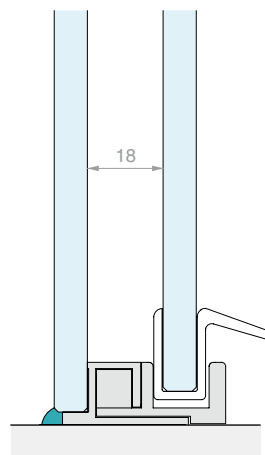


2 types of installation



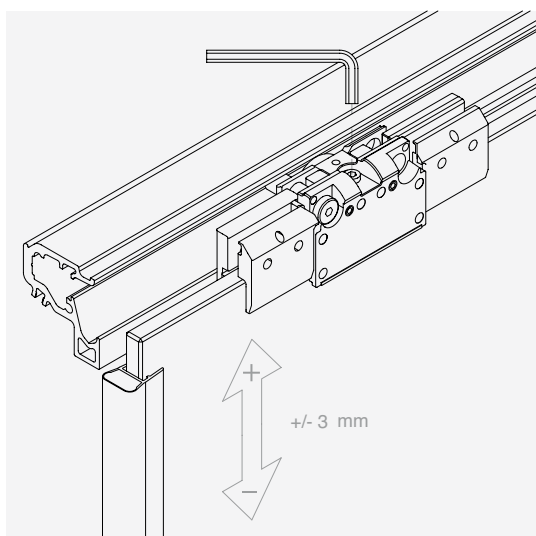
Linea U
For framed fixed panes

Simple, modern design. With Linea U, fixed panes are held within a 15 mm x 16 mm aluminium profile. The same profile, with an upper snap-on cover, acts as a water barrier in the open area.



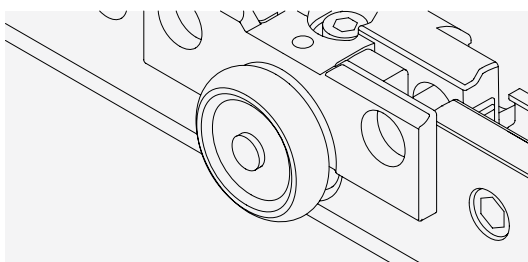
Linea S
For sealed fixed panes

Elegance and perfect transparency. With Linea S, fixed panes are sealed to the supporting surface. A space-saving water barrier profile in aluminium, 8 mm x 10 mm, can be installed at the opening.



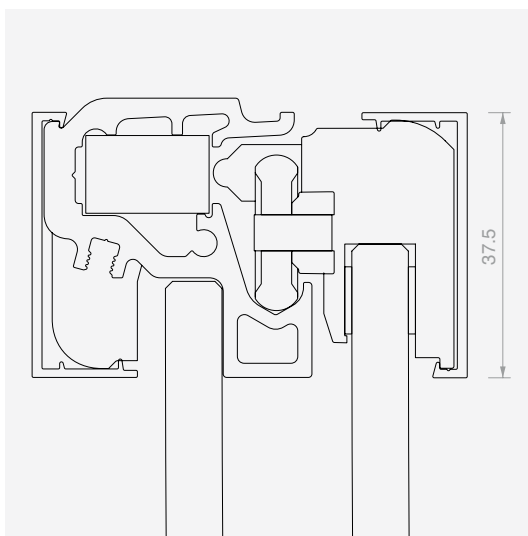
DOOR ADJUSTMENT

The height of each carrier can be adjusted to regulate the position of the door.



SILENT

The roller, with its steel bearing, provides silent and long-lasting operation

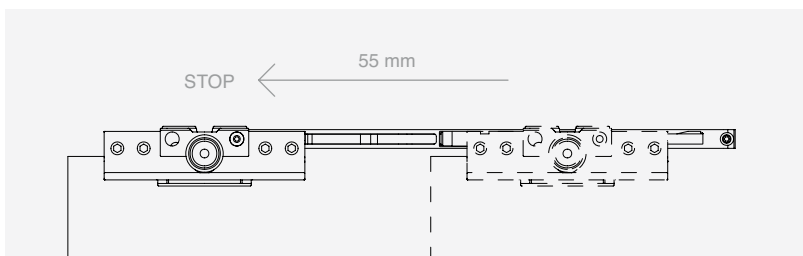


COMPACT DESIGN

Complete functionality in a reduced space

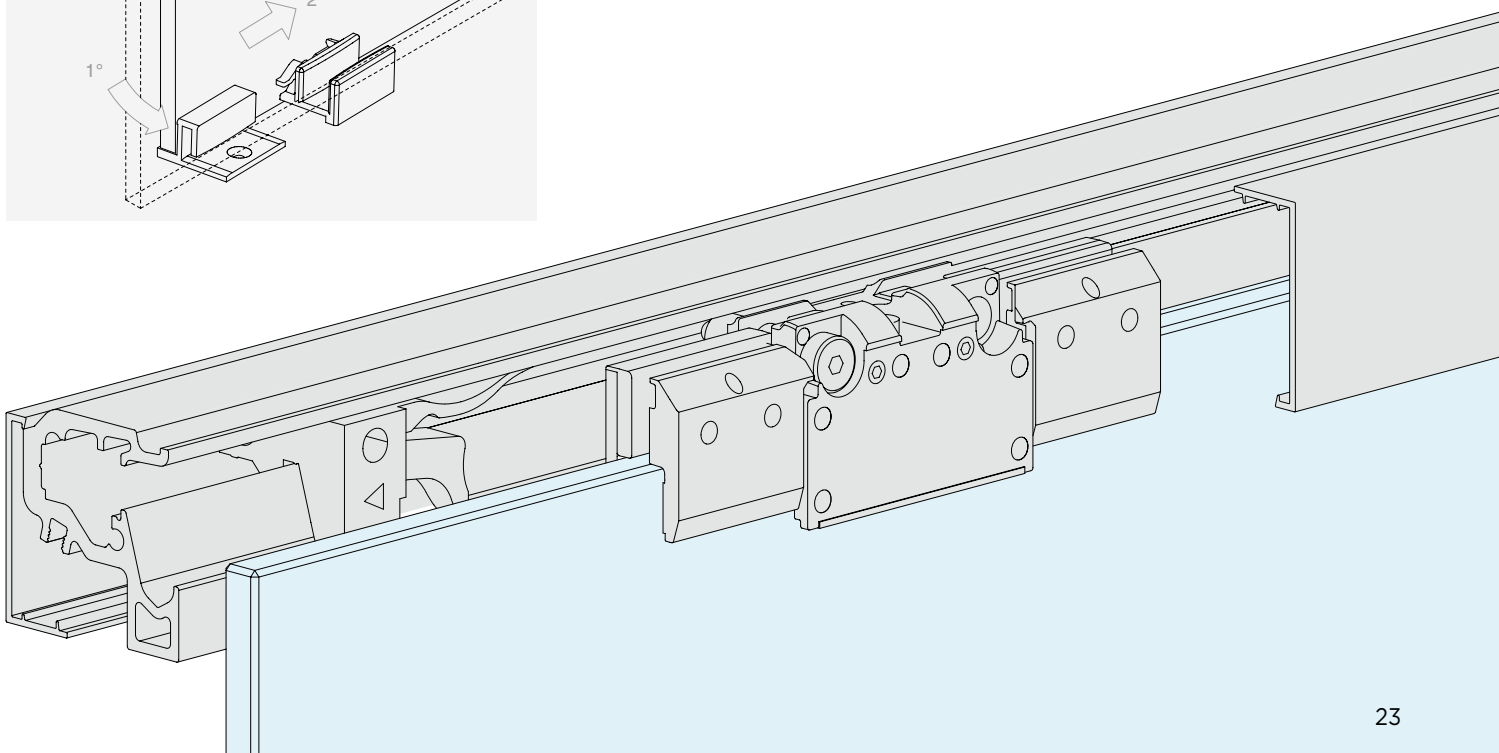
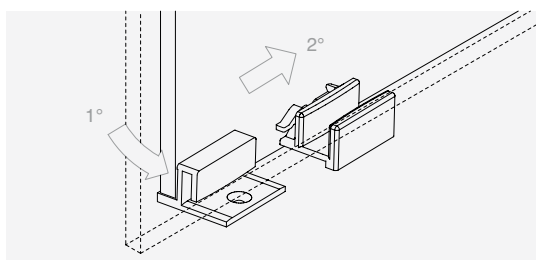
SOFT BREAK

The use of dampers reduces the speed of the door, attenuating impacts and allowing for controlled, noise-free movement.



CLEANING

The sliding door can be detached with PUSH & UNLOCK functionality



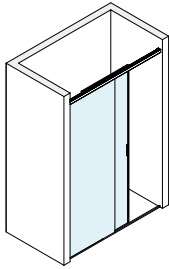


GOCCIA 35

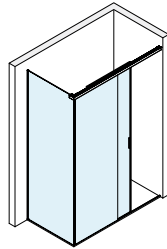
Kit



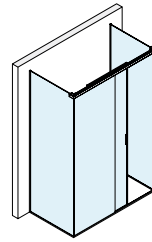
CONFIGURATIONS WITH FRAMED FIXED PANES



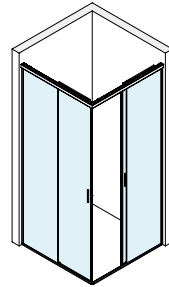
Page 27



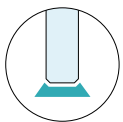
Page 29



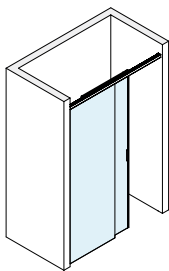
Page 31



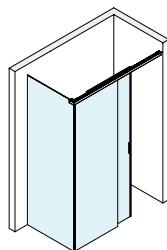
Page 33



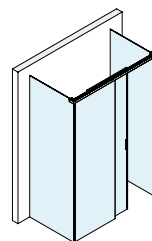
CONFIGURATIONS WITH SEALED FIXED PANES



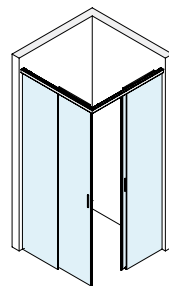
Page 34



Page 36



Page 38



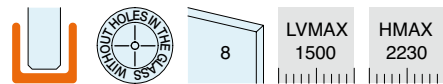
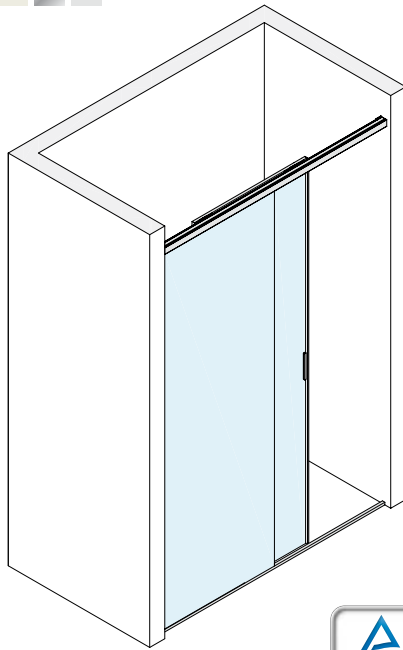
Page 40



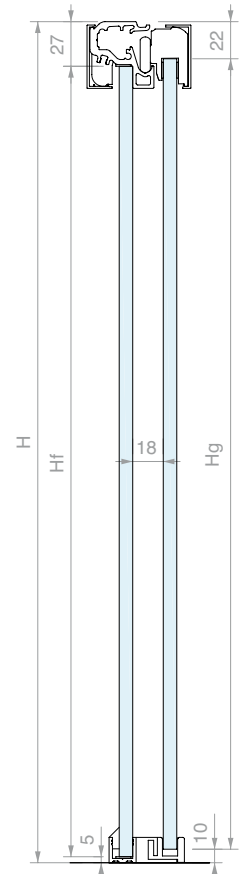


WALL/WALL SLIDING DOOR SHOWER KIT WITH FRAME PROFILE FOR FIXED PANE

Finish: /6 /88 /91 /97



RECOMMENDED LAYOUTS



GLASS PANE DIMENSIONS

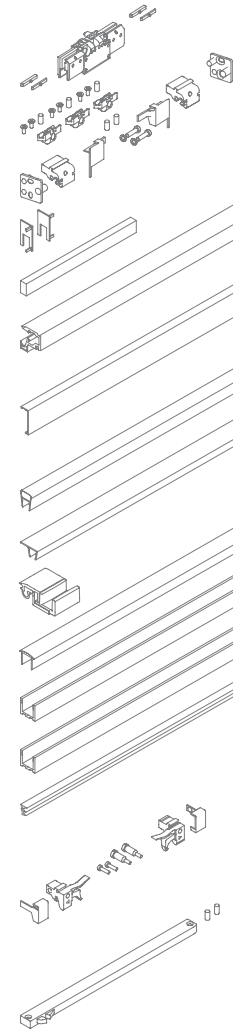
$L_g = (L_v + 32) / 2$
 $L_f = L_g$

$H_g = H - 32$
 $H_f = H_g$

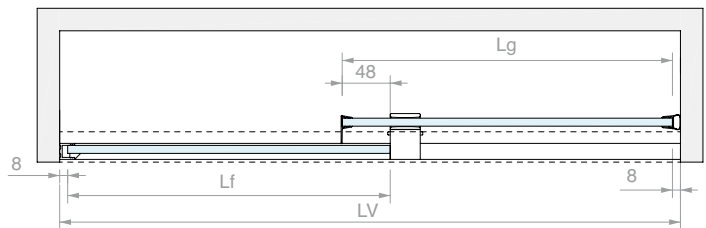
$L_A = (L_v - 148) / 2$

Kit comprising:

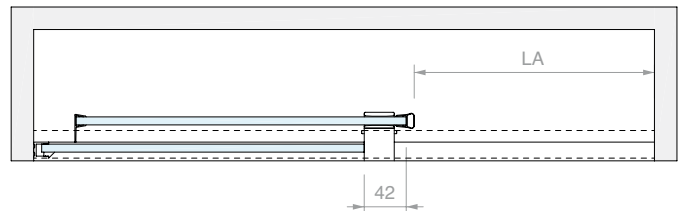
Art.	Description	Qty
G35KIT01	Gripper	2 Pcs
G35KIT02	Fixed glass	1 Pc
G35KIT03	Kit of 2 wall fixings	1 Pc
G35KIT06	Kit of 2 open caps	1 Pc
MAN500V150	Adhesive handle	2 Pcs
LM3538.150	Track	1 Pc
LM3515.150	Cover	1 Pc
LM3515.075	Cover	1 Pc
GM0522	Balloon gasket	1 Pc
GM702022	Gasket with side lip	1 Pc
DCU208SCT	Snap-on floor guide	1 Pc
PBD3184.100	Rounded upper profile	1 Pc
PBD3183.150	U-shaped profile	1 Pc
PBD3183.220	U-shaped profile	1 Pc
GTUP4	Glass holder gasket	4 m
Only in the kit with stop mechanism		
G35KIT07	Kit of 2 stops	1 Pc
Only in the kit with softbreak damper		
G35KIT08	Damper kit	2 Pcs



CLOSED SLIDING DOOR CONFIGURATION



OPEN SLIDING DOOR CONFIGURATION



PRIMARY LENGTHS (mm)

LV	Lg	Lf	LA
1500	766	766	676
1400	716	716	626
1300	666	666	576
1200	616	616	526

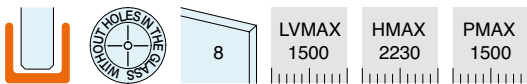
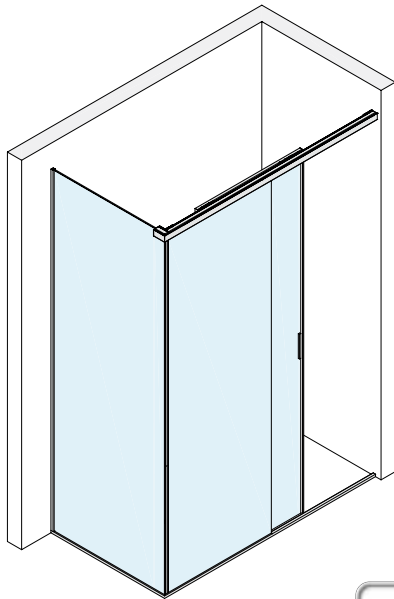
Art.	Description	Qty
G35U10STP	With stop mechanism	1 Pc
G35U10DMP	With softbreak damper	1 Pc



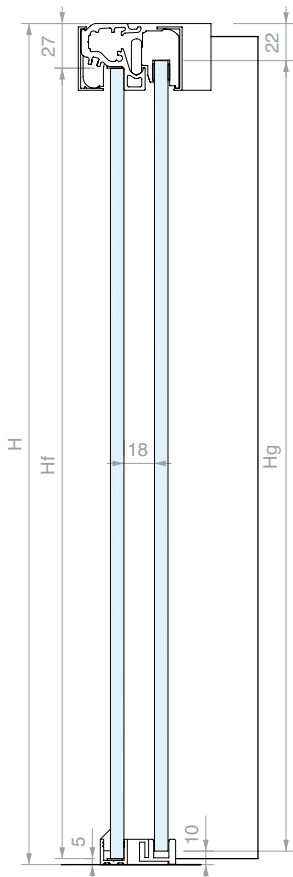


WALL/GLASS SLIDING DOOR SHOWER KIT WITH FRAME PROFILE FOR FIXED PANES

Finish: /6 /88 /91 /97



RECOMMENDED LAYOUTS

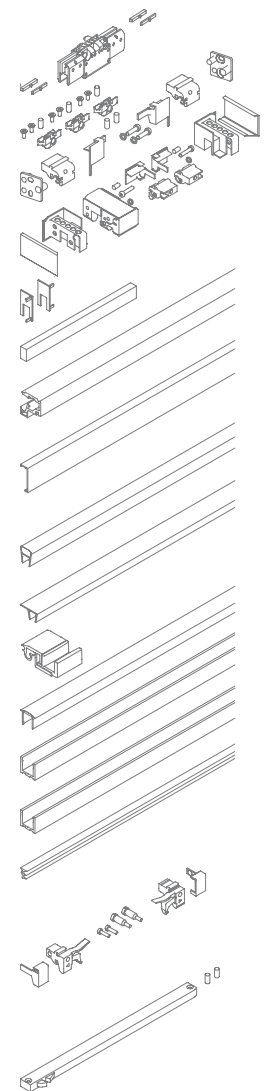


GLASS PANE DIMENSIONS

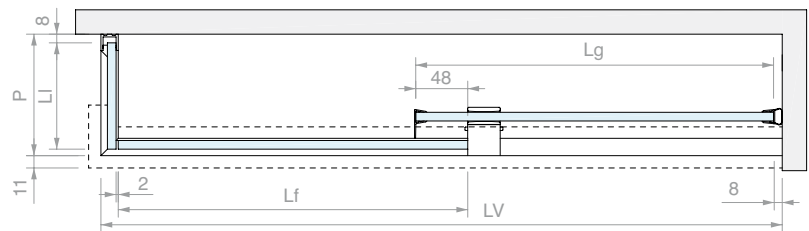
$L_g = (LV + 24) / 2$
 $L_f = L_g$
 $H_g = H - 32$
 $H_f = H_g$
 $L_i = P - 14$
 $H_i = H - 14$
 $L_A = (LV - 156) / 2$

Kit comprising:

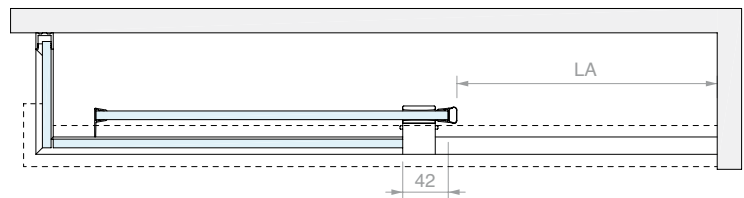
Art.	Description	Qty
G35KIT01	Gripper	2 Pcs
G35KIT02	Fixed glass installation kit	1 Pc
G35KIT03	Kit of 2 wall fixings	1 Pc
G35KIT04	Glass fixing kit	1 Pc
G35KIT06	Kit of 2 open caps	1 Pc
MAN500V150	Adhesive handle	2 Pcs
LM3538.150	Track	1 Pc
LM3515.15045	45° cover	1 Pc
LM3515.075	Cover	1 Pc
GM0522	Balloon gasket	1 Pc
GM702022	Gasket with side lip	1 Pc
DCU208SCT	Snap-on floor guide	1 Pc
PBD3184.100	Rounded upper profile	1 Pc
PBD3183.150	U-shaped profile	2 Pcs
PBD3183.220	U-shaped profile	1 Pc
GTUP4	Glass holder gasket	6 m
Only in the kit with stop mechanism		
G35KIT07	Kit of 2 stops	1 Pc
Only in the kit with softbreak damper		
G35KIT08	Damper kit	2 Pcs



CLOSED SLIDING DOOR CONFIGURATION



OPEN SLIDING DOOR CONFIGURATION



PRIMARY LENGTHS (mm)

LV	Lg	Lf	LA
1500	762	762	672
1400	712	712	622
1300	662	662	572
1200	612	612	522

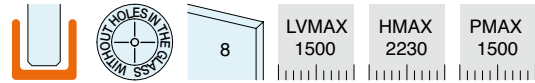
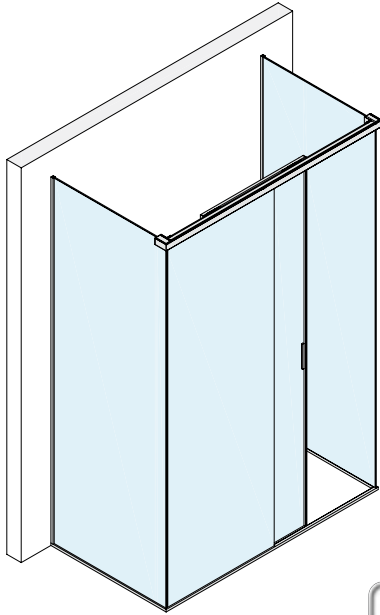
Art.	Description	Qty
G35U20STP	With stop mechanism	1 Pc
G35U20DMP	With softbreak damper	1 Pc



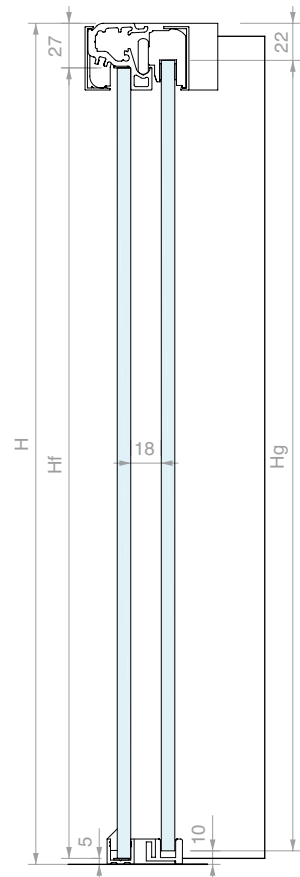


GLASS/GLASS SLIDING DOOR SHOWER KIT WITH FRAME PROFILE FOR FIXED PANES

Finish: **/6** /88 /91 /97



RECOMMENDED LAYOUTS



GLASS PANE DIMENSIONS

$L_g = (LV + 10) / 2$
 $L_f = L_g$

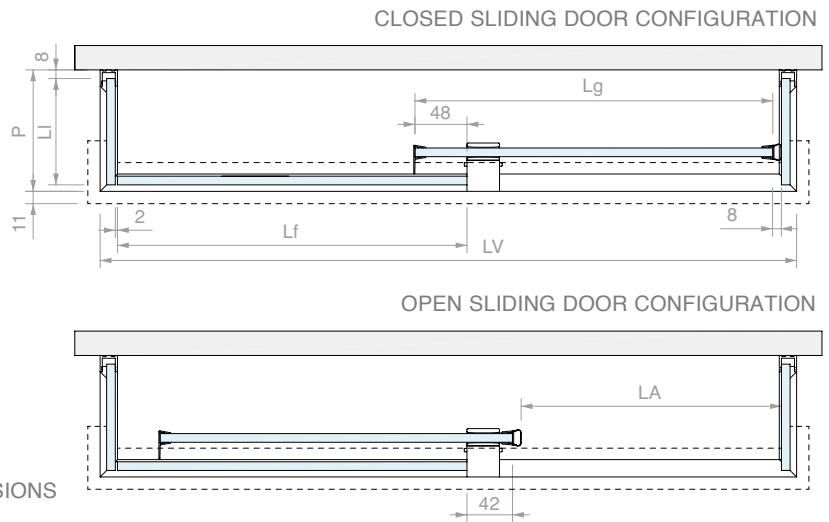
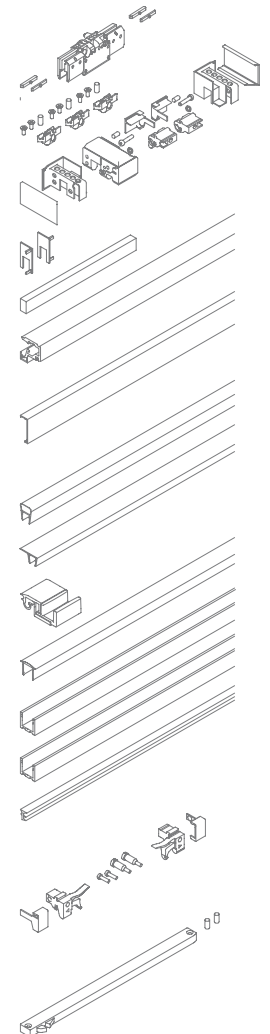
$H_g = H - 32$
 $H_f = H_g$

$L_i = P - 14$
 $H_i = H - 14$

$LA = (LV - 170) / 2$

Kit comprising:

Art.	Description	Qty
G35KIT01	Gripper	2 Pcs
G35KIT02	Fixed glass installation kit	1 Pc
G35KIT04	Glass fixing kit	2 Pcs
G35KIT06	Kit of 2 open caps	1 Pc
MAN500V150	Adhesive handle	2 Pcs
LM3538.150	Track	1 Pc
LM3515.15045	45° cover	1 Pc
LM3515.075	Cover	1 Pc
GM0522	Balloon gasket	1 Pc
GM702022	Gasket with side lip	1 Pc
DCU208SCT	Snap-on floor guide	1 Pc
PBD3184.100	Rounded upper profile	1 Pc
PBD3183.150	U-shaped profile	3 Pcs
PBD3183.220	U-shaped profile	2 Pcs
GTUP4	Glass holder gasket	8 m
Only in the kit with stop mechanism		
G35KIT07	Kit of 2 stops	1 Pc
Only in the kit with softbreak damper		
G35KIT08	Damper kit	2 Pcs



PRIMARY LENGTHS (mm)

LV	Lg	Lf	LA
1500	755	755	665
1400	705	705	615
1300	655	655	565
1200	605	605	515

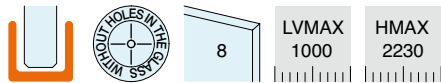
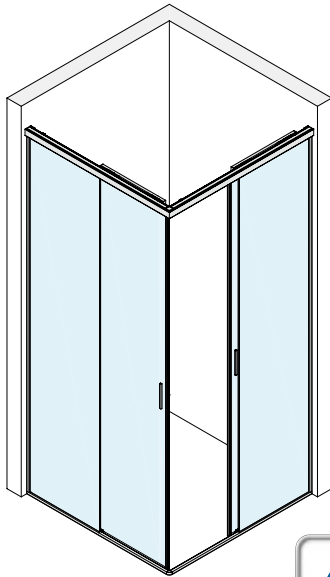
Art.	Description	Qty
G35U30STP	With stop mechanism	1 Pc
G35U30DMP	With softbreak damper	1 Pc



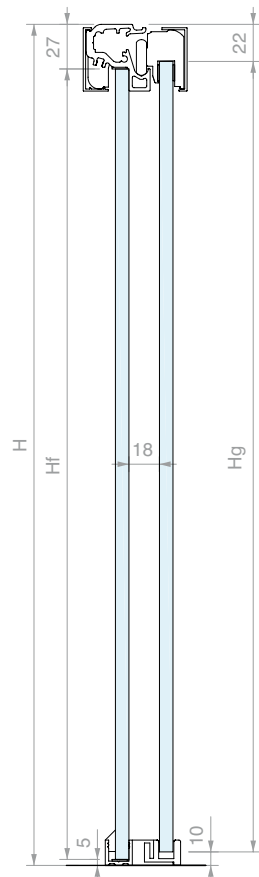


WALL/CORNER/WALL SLIDING DOOR SHOWER KIT WITH FRAME PROFILE FOR FIXED PANES

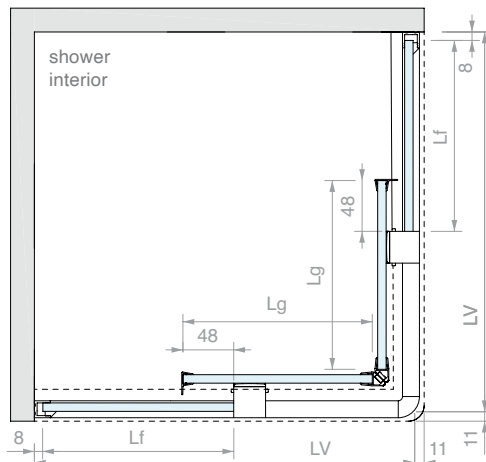
Finish: /6 /88 /91 /97



RECOMMENDED LAYOUTS



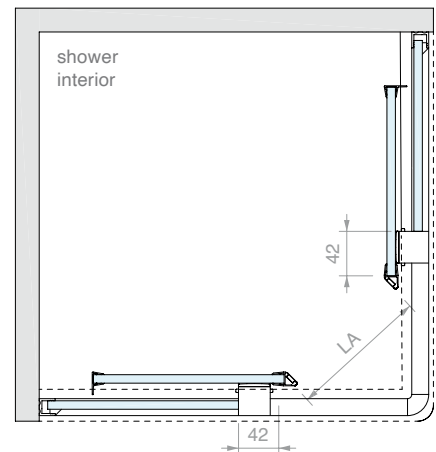
CLOSED SLIDING DOOR CONFIGURATION



GLASS PANE DIMENSIONS

$L_g = (LV - 6) / 2$
 $L_f = L_g$
 $H_g = H - 32$
 $H_f = H_g$
 $LA = 0.7 \times (LV - 180)$

OPEN SLIDING DOOR CONFIGURATION

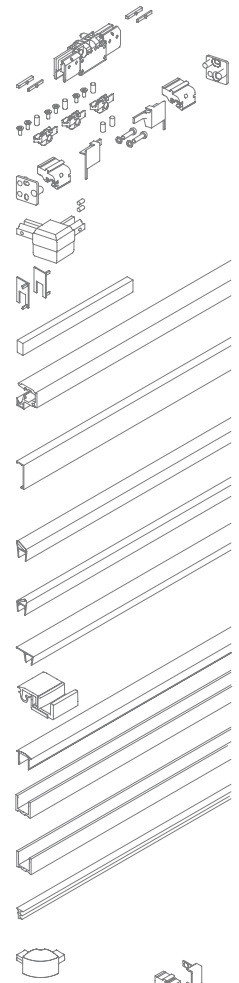


PRIMARY LENGTHS (mm)

LV	Lg	Lf	LA
1000	497	497	574
900	447	447	504
800	397	397	434

Kit comprising:

Art.	Description	Qty
G35KIT01	Gripper	4 Pcs
G35KIT02	Fixed glass installation kit	2 Pcs
G35KIT03	Kit of 2 wall fixings	1 Pc
G35KIT05	Corner junction kit	1 Pc
G35KIT06	Kit of 2 open caps	2 Pcs
MAN500V150	Adhesive handle	4 Pcs
LM3538.100	Track	2 Pcs
LM3515.10045	45° cover	2 Pcs
LM3515.075	Cover	2 Pcs
GM62SX	45° magnetic gasket	1 Pc
GM62DX	45° magnetic gasket	1 Pc
GM702022	Gasket with side lip	2 Pcs
DCU208SCT	Snap-on floor guide	2 Pcs
PBD3184.100	Rounded upper profile	2 Pcs
PBD3183.150	U-shaped profile	2 Pcs
PBD3183.220	U-shaped profile	2 Pcs
GTUP4	Glass holder gasket	8 m
DCC90	Corner junction	1 Pc

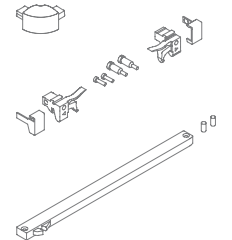


Only in the kit with stop mechanism

G35KIT07	Kit of 2 stops	2 Pc
-----------------	----------------	------

Only in the kit with softbreak damper

G35KIT08	Damper kit	4 Pcs
-----------------	------------	-------

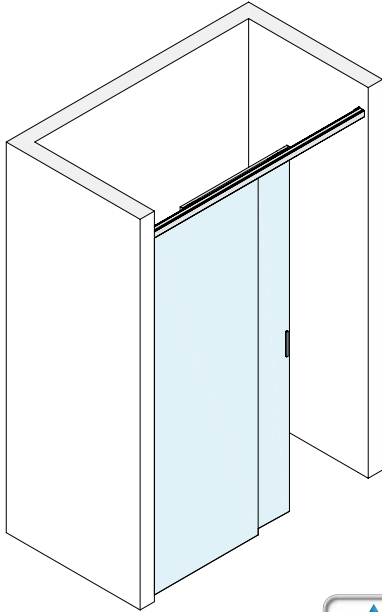


Art.	Description	Qty
G35U40STP	With stop mechanism	1 Pc
G35U40DMP	With softbreak damper	1 Pc

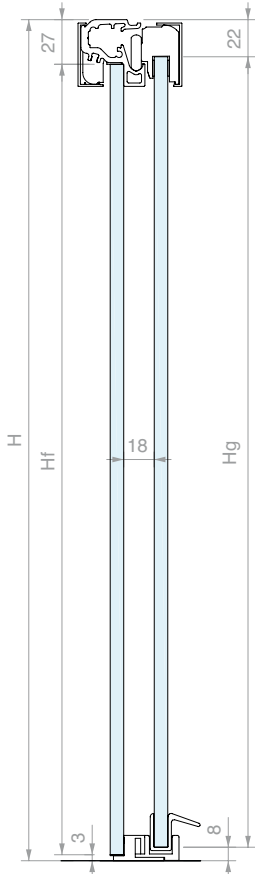


WALL/WALL SLIDING DOOR SHOWER KIT FOR SEALED FIXED PANE

Finish: /6 /88 /91 /97



RECOMMENDED LAYOUTS



GLASS PANE DIMENSIONS

$L_g = (LV + 38) / 2$
 $L_f = L_g$

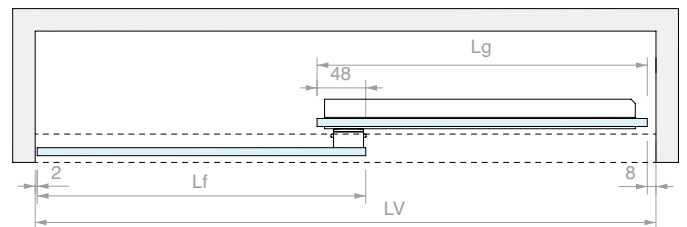
$H_g = H - 30$
 $H_f = H_g$

$LA = (LV - 126) / 2$

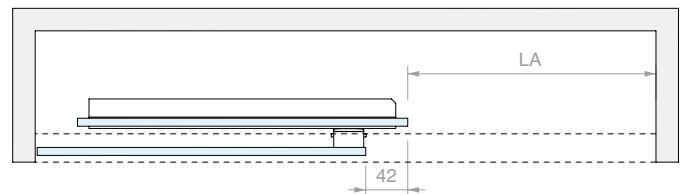
Kit comprising:

Art.	Description	Qty	
G35KIT01	Gripper	2 Pcs	
G35KIT02	Fixed glass installation kit	1 Pc	
G35KIT03	Kit of 2 wall fixings	1 Pc	
G35KIT06	Kit of 2 open caps	1 Pc	
MAN500V150	Adhesive handle	2 Pcs	
LM3538.150	Track	1 Pc	
LM3515.150	Cover	1 Pc	
LM3515.075	Cover	1 Pc	
DCS208	Floor guide	1 Pc	
GM900807	Gasket with drip flap	1 Pc	
Only in the kit with stop mechanism			
G35KIT07	Kit of 2 stops	1 Pc	
Only in the kit with softbreak damper			
G35KIT08	Damper kit	2 Pcs	
Optional			
GM0522	Balloon gasket	1 Pc	
GM702022	Gasket with side lip	1 Pc	
PESQ0810.075	Water barrier profile	1 Pc	

CLOSED SLIDING DOOR CONFIGURATION



OPEN SLIDING DOOR CONFIGURATION



PRIMARY LENGTHS (mm)

LV	Lg	Lf	LA
1500	769	769	687
1400	719	719	637
1300	669	669	587
1200	619	619	537

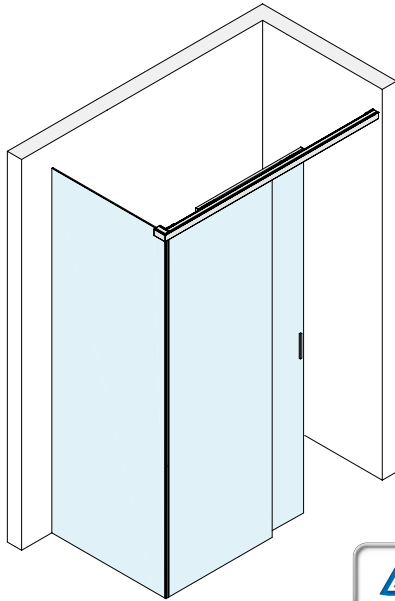
Art.	Description	Qty
G35S10STP	With stop mechanism	1 Pc
G35S10DMP	With softbreak damper	1 Pc





WALL/GLASS SLIDING DOOR SHOWER KIT FOR SEALED FIXED PANES

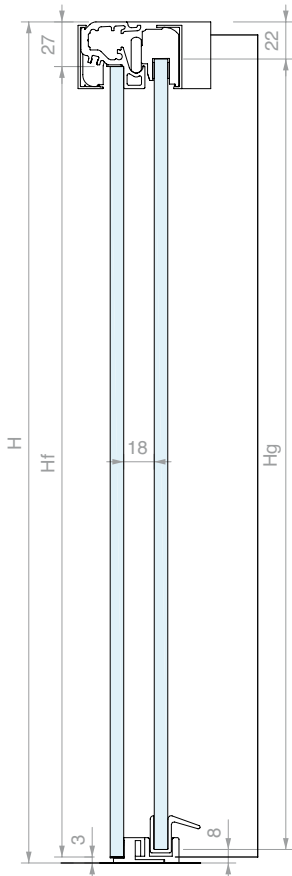
Finish: /6 /88 /91 /97



LVMAX
1500

HMAX
2230

RECOMMENDED LAYOUTS



GLASS PANE DIMENSIONS

$L_g = (LV + 30) / 2$
 $L_f = L_g$

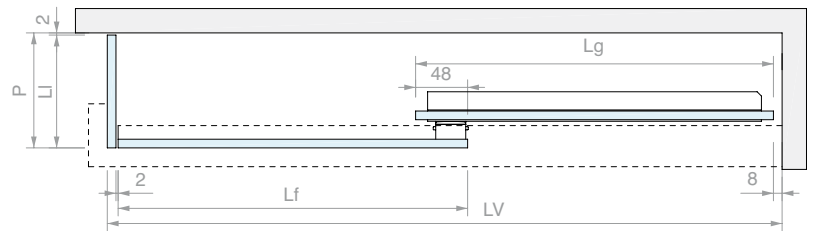
$H_g = H - 30$
 $H_f = H_g$

$LA = (LV - 134) / 2$
 $LI = P - 2$

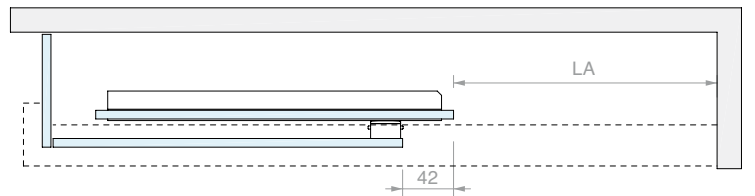
Kit comprising:

Art.	Description	Qty
G35KIT01	Gripper	2 Pcs
G35KIT02	Fixed glass installation kit	1 Pc
G35KIT03	Kit of 2 wall fixings	1 Pc
G35KIT04	Glass fixing kit	1 Pc
G35KIT06	Kit of 2 open caps	1 Pc
MAN500V150	Adhesive handle	2 Pcs
LM3538.150	Track	1 Pc
LM3515.15045	45° cover	1 Pc
LM3515.075	Cover	1 Pc
DCS208	Floor guide	1 Pc
GM900807	Gasket with drip flap	1 Pc
Only in the kit with stop mechanism		
G35KIT07	Kit of 2 stops	1 Pc
Only in the kit with softbreak damper		
G35KIT08	Damper kit	2 Pcs
Optional		
GM0522	Balloon gasket	1 Pc
GM702022	Gasket with side lip	1 Pc
PESQ0810.075	Water barrier profile	1 Pc

CLOSED SLIDING DOOR CONFIGURATION



OPEN SLIDING DOOR CONFIGURATION



PRIMARY LENGTHS (mm)

LV	Lg	Lf	LA
1500	765	765	683
1400	715	715	633
1300	665	665	583
1200	615	615	533

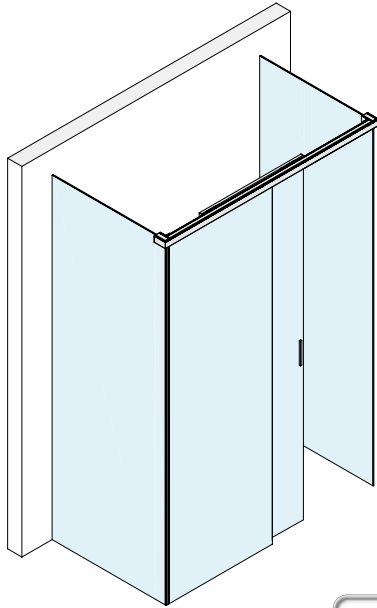
Art.	Description	Qty
G35S20STP	With stop mechanism	1 Pc
G35S20DMP	With softbreak damper	1 Pc





GLASS/GLASS SLIDING DOOR SHOWER KIT FOR SEALED FIXED PANES

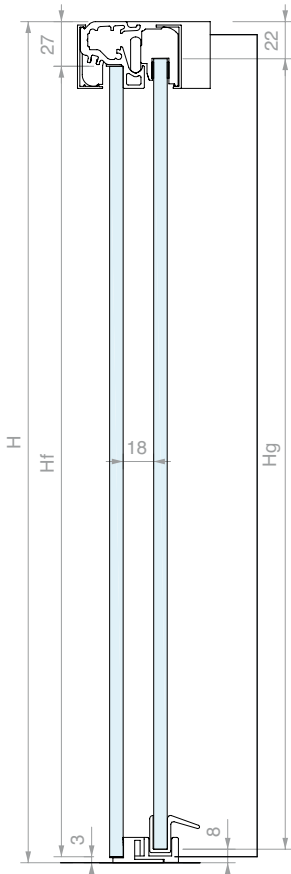
Finish: /6 /88 /91 /97



LVMAX 1500

HMAX 2230

RECOMMENDED LAYOUTS



GLASS PANE DIMENSIONS

$L_g = (LV + 22) / 2$

$L_f = L_g$

$H_g = H - 30$

$H_f = H_g$

$L_l = P - 2$

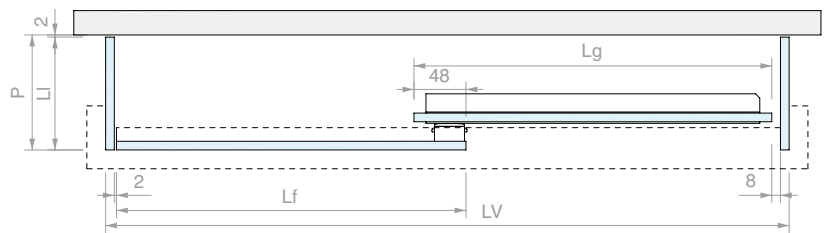
$H_l = H - 12$

$L_A = (LV - 142) / 2$

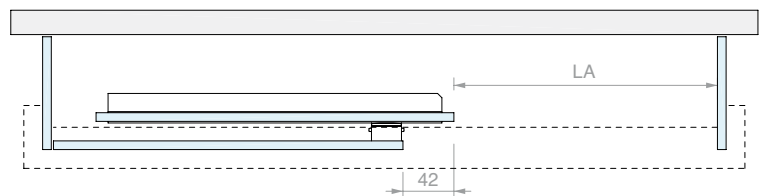
Kit comprising:

Art.	Description	Qty	
G35KIT01	Gripper	2 Pcs	
G35KIT02	Fixed glass installation kit	1 Pc	
G35KIT04	Glass fixing kit	2 Pcs	
G35KIT06	Kit of 2 open caps	1 Pc	
MAN500V150	Adhesive handle	2 Pcs	
LM3538.150	Track	1 Pc	
LM3515.15045	45° cover	1 Pc	
LM3515.075	Cover	1 Pc	
DCS208	Floor guide	1 Pc	
GM900807	Gasket with drip flap	1 Pc	
Only in the kit with stop mechanism			
G35KIT07	Kit of 2 stops	1 Pc	
Only in the kit with softbreak damper			
G35KIT08	Damper kit	2 Pcs	
Optional			
GM0522	Balloon gasket	1 Pc	
GM702022	Gasket with side lip	1 Pc	
PESQ0810.075	Water barrier profile	1 Pc	

CLOSED SLIDING DOOR CONFIGURATION



OPEN SLIDING DOOR CONFIGURATION



PRIMARY LENGTHS (mm)

LV	Lg	Lf	LA
1500	761	761	679
1400	711	711	629
1300	661	661	579
1200	611	611	529

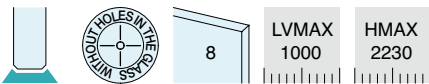
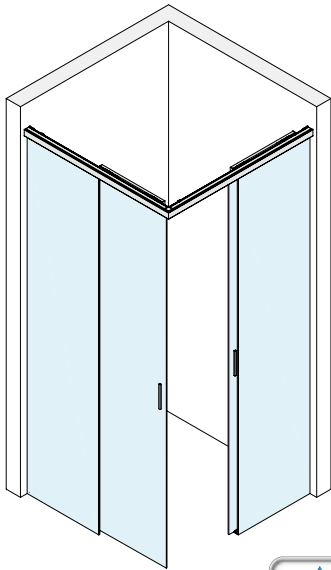
Art.	Description	Qty
G35S30STP	With stop mechanism	1 Pc
G35S30DMP	With softbreak damper	1 Pc



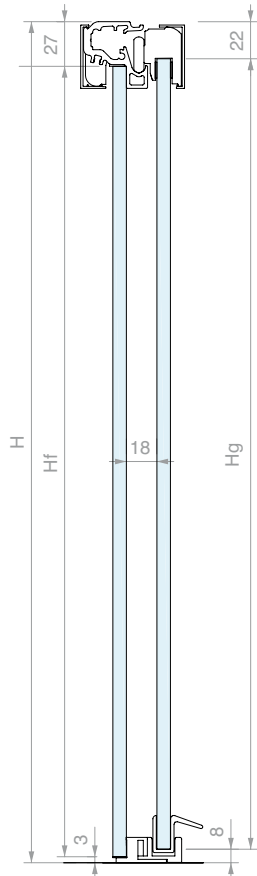


WALL/CORNER/WALL SLIDING DOOR SHOWER KIT FOR SEALED FIXED PANES

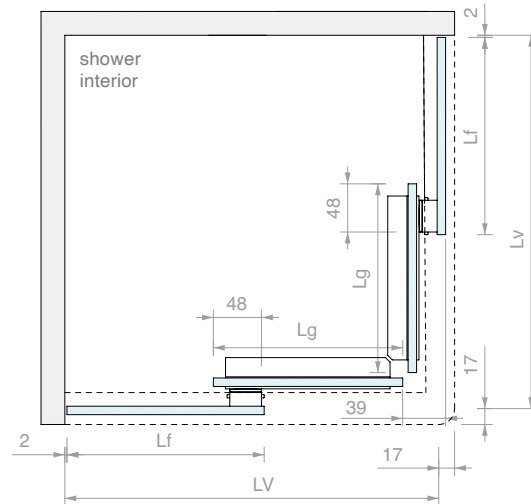
Finish: /6 /88 /91 /97



RECOMMENDED LAYOUTS



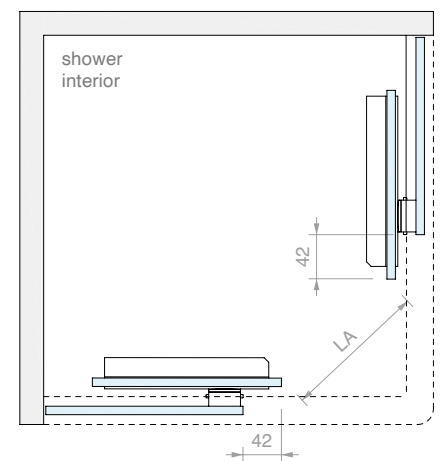
CLOSED SLIDING DOOR CONFIGURATION



GLASS PANE DIMENSIONS

$Lg = (LV + 6) / 2$
 $Lf = Lg$
 $Hg = H - 30$
 $Hf = Hg$
 $LA = 0.7 \times (LV - 163)$

OPEN SLIDING DOOR CONFIGURATION



PRIMARY LENGTHS (mm)

LV	Lg	Lf	LA
1000	503	503	586
900	453	453	516
800	403	403	446









Kit comprising:

Art.	Description	Qty
G35KIT01	Gripper	4 Pcs
G35KIT02	Fixed glass installation kit	2 Pcs
G35KIT03	Kit of 2 wall fixings	1 Pc
G35KIT05	Corner junction kit	1 Pc
G35KIT06	Kit of 2 open caps	2 Pcs
MAN500V150	Adhesive handle	4 Pcs
LM3538.100	Track	2 Pcs
LM3515.10045	45° cover	2 Pcs
LM3515.075	Cover	2 Pcs
DCS208	Floor guide	2 Pcs
GM900807	Gasket with drip flap	2 Pcs
Only in the kit with stop mechanism		
G35KIT07	Kit of 2 stops	2 Pcs
Only in the kit with softbreak damper		
G35KIT08	Damper kit	4 Pcs
Optional		
GM62SX	45° magnetic gasket	1 Pc
GM62DX	45° magnetic gasket	1 Pc
PESQ0810.075	Water barrier profile	1 Pc

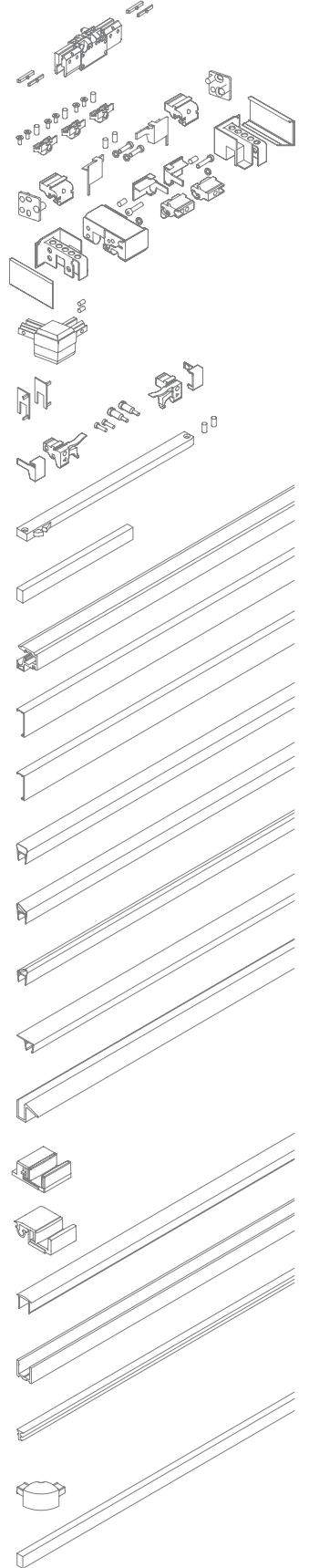
Art.	Description	Qty
G35S40STP	With stop mechanism	1 Pc
G35S40DMP	With softbreak damper	1 Pc





									
G35U10	G35U20	G35U30	G35U40	G35S10	G35S20	G35S30	G35S40		
2 Pcs	2 Pcs	2 Pcs	4 Pcs	2 Pcs	2 Pcs	2 Pcs	4 Pcs	G35KIT01	●
1 Pc	1 Pc	1 Pc	2 Pcs	1 Pc	1 Pc	1 Pc	2 Pcs	G35KIT02	●
1 Pc	1 Pc		1 Pc	1 Pc	1 Pc		1 Pc	G35KIT03	●
	1 Pc	2 Pcs			1 Pc	2 Pcs		G35KIT04	●
			1 Pc				1 Pc	G35KIT05	●
1 Pc	1 Pc	1 Pc	2 Pcs	1 Pc	1 Pc	1 Pc	2 Pcs	G35KIT06	●
1 Pc G35U10STP	1 Pc G35U20STP	1 Pc G35U30STP	2 Pcs G35U40STP	1 Pc G35S10STP	1 Pc G35S20STP	1 Pc G35S30STP	2 Pcs G35S40STP	G35KIT07	●
2 Pcs G35U10DMP	2 Pcs G35U20DMP	2 Pcs G35U30DMP	4 Pcs G35U40DMP	2 Pcs G35S10DMP	2 Pcs G35S20DMP	2 Pcs G35S30DMP	4 Pcs G35S40DMP	G35KIT08	●
2 Pcs	2 Pcs	2 Pcs	4 Pcs	2 Pcs	2 Pcs	2 Pcs	4 Pcs	MAN500V150	●
1 Pc	1 Pc	1 Pc	4 Pcs	1 Pc	1 Pc	1 Pc	4 Pcs	LM3538.150 LM3538.100	●
1 Pc 1 Pc	1 Pc 1 Pc	1 Pc 1 Pc	2 Pcs	1 Pc 1 Pc	1 Pc 1 Pc	1 Pc 1 Pc	2 Pcs	LM3515.150 LM3515.15045 LM3515.10045	●
1 Pc	1 Pc	1 Pc	2 Pcs	1 Pc	1 Pc	1 Pc	2 Pcs	LM3515.075	●
1 Pc	1 Pc	1 Pc		1 Pc OPTIONAL	1 Pc OPTIONAL	1 Pc OPTIONAL		GM0622	●
			1 Pc				1 Pc OPTIONAL	GM62DX	●
			1 Pc				1 Pc OPTIONAL	GM62SX	●
1 Pc	1 Pc	1 Pc	2 Pcs	1 Pc OPTIONAL	1 Pc OPTIONAL	1 Pc OPTIONAL	2 Pcs OPTIONAL	GM702022	●
				1 Pc	1 Pc	1 Pc	2 Pcs	GM900607 GM900807	○
				1 Pc	1 Pc	1 Pc	2 Pcs	DCS206 DCS208	○
1 Pc	1 Pc	1 Pc	2 Pcs					DCU206SCT DCU208SCT	○
1 Pc	1 Pc	1 Pc	2 Pcs					PBD3184.100	●
1 Pc 1 Pc	1 Pc 2 Pcs	3 Pcs 1 Pc	2 Pcs 2 Pcs					PBD3183.220 BD3183.150	●
4 m	6 m	8 m	8 m					GTUP6 GTUP4	○
			1 Pc					DCC90	●
				1 Pc OPTIONAL	1 Pc OPTIONAL	1 Pc OPTIONAL	2 Pcs OPTIONAL	PESQ0810.075	●

- = Universal components
- = Components for 6-mm glass
- = Components for 8-mm glass





MEASUREMENTS (mm):

LV length at the floor

H total height

P depth at the floor (if applicable)



G35U10



G35U20



G35U30



G35U40



G35S10



G35S20



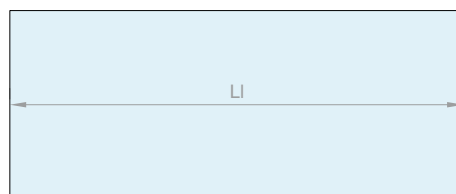
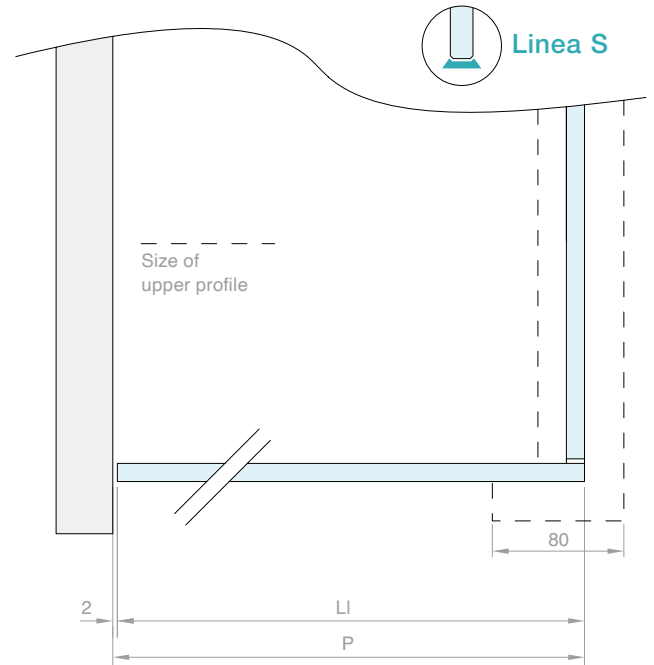
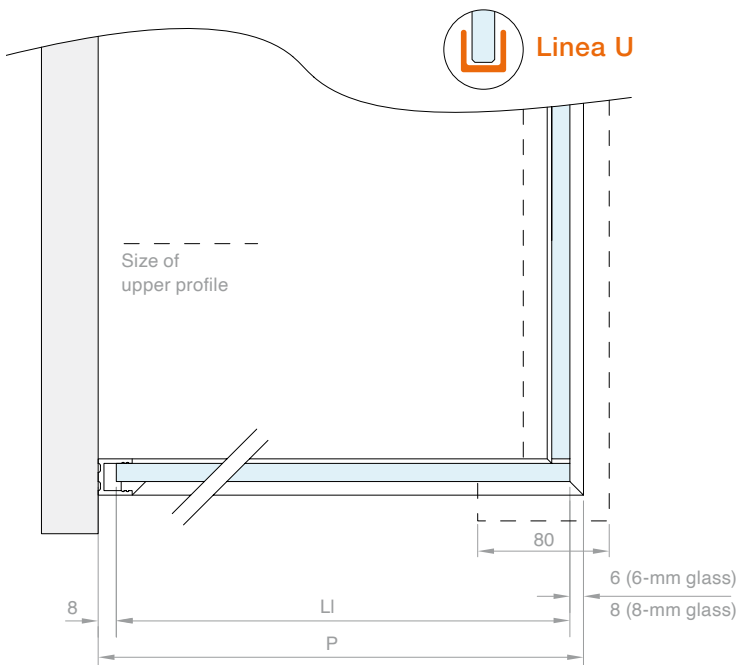
G35S30



G35S40



type of pane	dimension	pane thickness	G35U10	G35U20	G35U30	G35U40	G35S10	G35S20	G35S30	G35S40
			LV _{max} = 1500 H _{max} = 2230	LV _{max} = 1500 H _{max} = 2230 P _{max} = 1500	LV _{max} = 1500 H _{max} = 2230 P _{max} = 1500	LV _{max} = 1000 H _{max} = 2230	LV _{max} = 1500 H _{max} = 2230	LV _{max} = 1500 H _{max} = 2230 P _{max} = n/a	LV _{max} = 1500 H _{max} = 2230 P _{max} = n/a	LV _{max} = 1500 H _{max} = 2230
moving door	width (Lg)	6mm	$\frac{LV + 32}{2}$	$\frac{LV + 24}{2}$	$\frac{LV + 10}{2}$	$\frac{LV - 6}{2}$	$\frac{LV + 38}{2}$	$\frac{LV + 30}{2}$	$\frac{LV + 22}{2}$	$\frac{LV + 6}{2}$
		8mm	$\frac{LV + 32}{2}$	$\frac{LV + 24}{2}$	$\frac{LV + 10}{2}$	$\frac{LV - 6}{2}$	$\frac{LV + 38}{2}$	$\frac{LV + 30}{2}$	$\frac{LV + 22}{2}$	$\frac{LV + 6}{2}$
	height (Hg)	6-8 mm	H - 32	H - 32	H - 32	H - 32	H - 30	H - 30	H - 30	H - 30
fixed pane	width (Lf)	6mm	$\frac{LV + 32}{2}$	$\frac{LV + 24}{2}$	$\frac{LV + 10}{2}$	$\frac{LV - 6}{2}$	$\frac{LV + 38}{2}$	$\frac{LV + 30}{2}$	$\frac{LV + 22}{2}$	$\frac{LV + 6}{2}$
		8mm	$\frac{LV + 32}{2}$	$\frac{LV + 24}{2}$	$\frac{LV + 10}{2}$	$\frac{LV - 6}{2}$	$\frac{LV + 38}{2}$	$\frac{LV + 30}{2}$	$\frac{LV + 22}{2}$	$\frac{LV + 6}{2}$
	height (Hf)	6-8 mm	H - 32	H - 32	H - 32	H - 32	H - 30	H - 30	H - 30	H - 30
fixed adjustment	width (Lj)	6mm	-	P - 16	P - 16	-	-	P - 2	P - 2	-
		8mm	-	P - 14	P - 14	-	-	P - 2	P - 2	-
	height (Hl)	6-8 mm	-	H - 14	H - 14	-	-	H - 12	H - 12	-

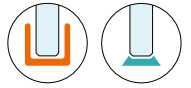


Note: Glass panes in moving doors, fixed panes, and side panes do not require processing in any configuration.



GOCCIA35 GRIPPER

composed of:
1 complete gripper

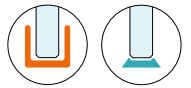


Art.	For glass	Qty
G35KIT01	From 6 to 8 mm	1 Pc

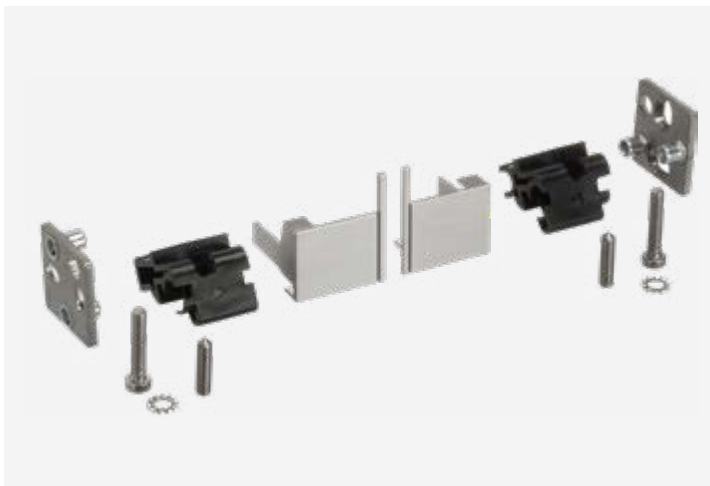


FIXED GLASS

composed of:
3 inserts
6 M4x8 steel countersunk screws
3 M5x12 polyamide set screws

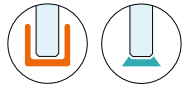


Art.	For glass	Qty
G35KIT02	From 6 to 8 mm	1 Pc

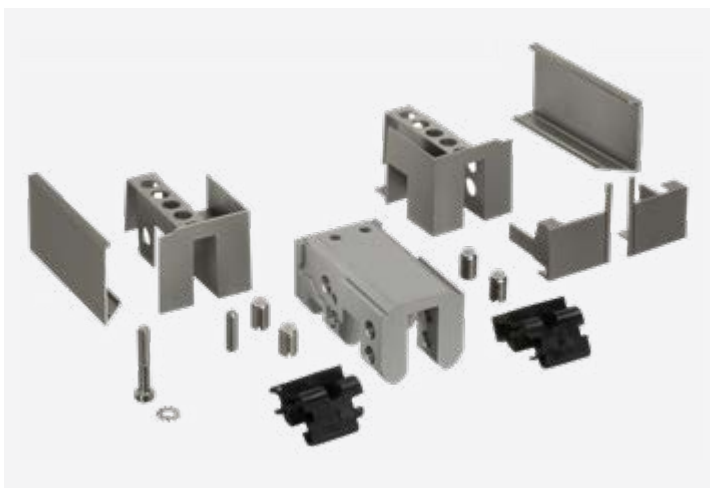


KIT OF 2 WALL FIXINGS

composed of:
2 inserts, right and left
2 M5x12 set screws
2 steel toothed washers for M5 screws
2 M5x25 steel cylindrical head screws
2 steel plates for anchoring to the right and left walls
2 metal covers, right and left
Finish: /6 /88 /91 /97

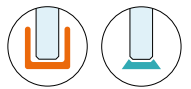


Art.	Qty
G35KIT03	1 Pc



GLASS FIXING KIT

composed of:
1 aluminium fixing body for glass
2 inserts, right and left
4 M8x12 set screws
2 steel toothed washers for M5 screws
2 M5x30 steel cylindrical head screws
1 M5x20 fixing set screw
2 covers for glass fixings, right and left
2 covers with metal finish, right and left
Finish: /6 /88 /91 /97



Art.	Qty
G35KIT04	1 Pc

**CORNER JUNCTION KIT**

composed of:

1 corner profile in aluminium finish

2 M5x20 set screws

Finish: /6 /88 /91 /97



Art.

Qty

G35KIT05

1 Pc

**OPEN CAP KIT FOR DOORS**

composed of:

2 open caps, right and left

Finish: /6 /88 /91 /97



Art.

For glass

Qty

G35KIT06

From 6 to 8 mm

1 Pc

**KIT OF 2 STOPS**

composed of:

2 POM inserts, right and left

2 special retaining screws for clamps

2 M5x12 set screws

2 covers with metal finish, right and left

Finish: /6 /88 /91 /97



Art.

Qty

G35KIT07

1 Pc

**DAMPER KIT**

composed of:

1 damper

2 M5x16 set screws



Art.

Qty

G35KIT08

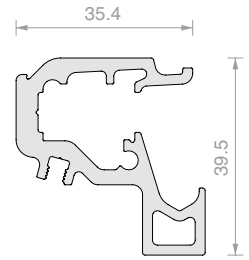
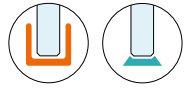
1 Pc



TRACK

Material: Aluminium

Finish: /6 /88 /91 /97



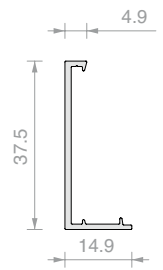
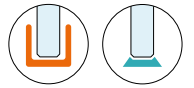
Art.	Length	Qty
LM3538.100	996 mm	1 Pc
LM3538.150	1498 mm	1 Pc
LM3538.200	1998 mm	1 Pc
LM3538.300	3000 mm	1 Pc



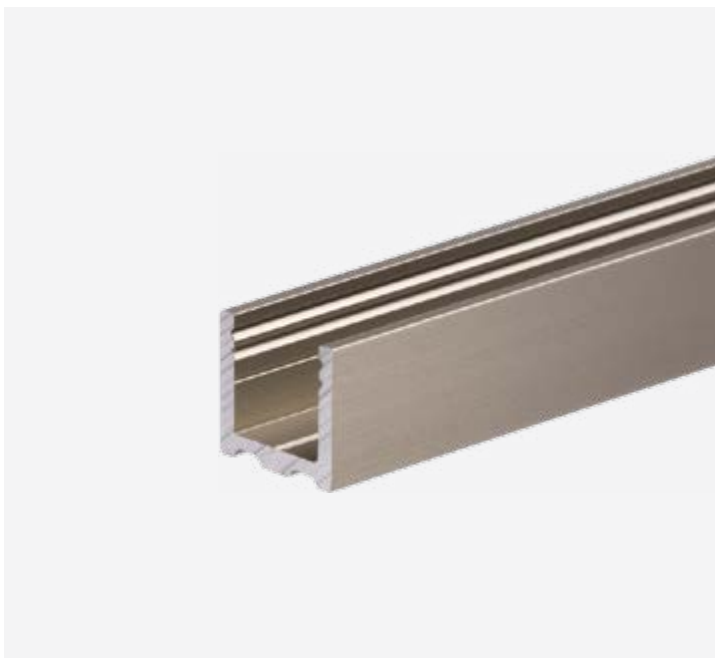
TRACK COVER

Material: Aluminium

Finish: /6 /88 /91 /97



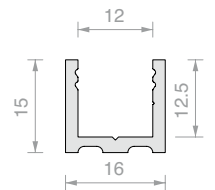
Art.	Length	Qty
LM3515.075	746 mm	1 Pc
LM3515.10045	1086 mm at 45°	1 Pc
LM3515.150	1498 mm	1 Pc
LM3515.15045	1588 mm at 45°	1 Pc
LM3515.200	1998 mm	1 Pc
LM3515.300	3000 mm	1 Pc



U-SHAPED PROFILE

Material: Aluminium

Finish: /6 /88 /91 /97



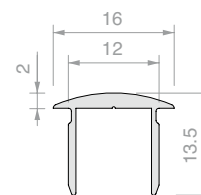
Art.	Length	Qty
PBD3183.150	1498 mm	1 Pc
PBD3183.220	2200 mm	1 Pc
PBD3183	3000 mm	1 Pc



ROUNDED UPPER PROFILE PBD3184

Material: Aluminium

Finish: /6 /88 /91 /97



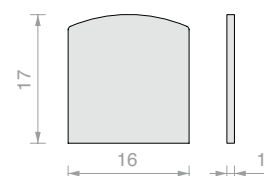
Art.	Length	Qty
PBD3184.100	992 mm	1 Pc
PBD3184.150	1498 mm	1 Pc
PBD3184	3000 mm	1 Pc



ROUNDED CAP PBD

Material: Aluminium

Finish: /6 /88 /91 /97



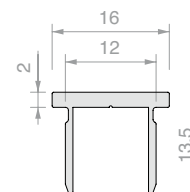
Art.	Qty
PBDTP	1 Pc



FLAT UPPER PROFILE PBD3186

Material: Aluminium

Finish: /6 /88 /91 /97



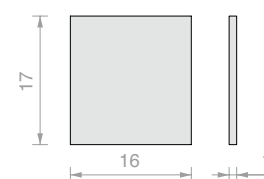
Art.	Length	Qty
PBD3186.100	992 mm	1 Pc
PBD3186.150	1498 mm	1 Pc
PBD3186	3000 mm	1 Pc



PBD FLAT CAP

Material: Aluminium

Finish: /6 /88 /91 /97



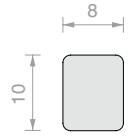
Art.	Qty
PBD86TP	1 Pc



WATER BARRIER PROFILE

Material: Aluminium

Finish: /6 /88 /91 /97



Art.	Length	Qty
PESQ0810.075	747 mm	1 Pc
PESQ0810.150	1498 mm	1 Pc
PESQ0810.300	3000 mm	1 Pc

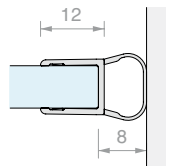
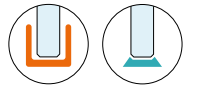


BALLOON GASKET

Material: Co-extruded rigid and soft PVC

Fungicide to prevent mould from forming

Finishes: transparent, embossed balloon



Art.	Length	For glass	Qty
GM05	2000 mm	From 6 to 8 mm	1 Pc
GM0522	2200 mm	From 6 to 8 mm	1 Pc
GM052500	2500 mm	From 6 to 8 mm	1 Pc
GM0530	3000 mm	From 6 to 8 mm	1 Pc



MAGNETIC 45° GASKET

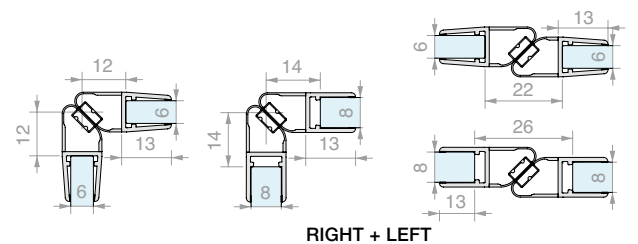
Material: Co-extruded rigid and soft PVC

Resistant to UV rays

Fungicide to prevent mould from forming

Maximum operating temperature 70°C

Finish: transparent balloon, white magnet

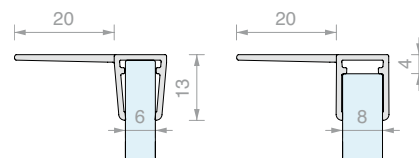


Art.	Length	For glass	Qty
GM62SX	2200 mm	From 6 to 8 mm	1 Pc
GM6230SX	3000 mm	From 6 to 8 mm	1 Pc
GM62DX	2200 mm	From 6 to 8 mm	1 Pc
GM6230DX	3000 mm	From 6 to 8 mm	1 Pc



GASKET WITH SIDE LIP

Material: Co-extruded rigid and soft PVC
 Resistant to UV rays
 Fungicide to prevent mould from forming
 Finishes: transparent, embossed lip



Art.	Length	For glass	Qty
GM702020	2000 mm	From 6 to 8 mm	1 Pc
GM702022	2200 mm	From 6 to 8 mm	1 Pc
GM702030	3000 mm	From 6 to 8 mm	1 Pc



GLASS HOLDER GASKET

Material: PVC

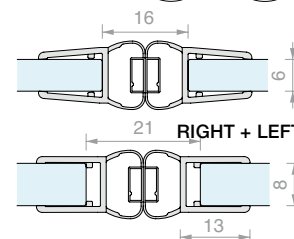


Art.	Thickness	Colour	Qty	Art.	Thickness	Colour	Qty	Art.	Thickness	Colour	Qty
GTUP2	2 mm	Transparent	1 m	GTUP2G	2 mm	Embossed	1 m	GTUP2N	2 mm	Black	1 m
GTUP3	3 mm	Transparent	1 m	GTUP3G	3 mm	Embossed	1 m	GTUP3N	3 mm	Black	1 m
GTUP4	4 mm	Transparent	1 m	GTUP4G	4 mm	Embossed	1 m	GTUP4N	4 mm	Black	1 m
GTUP5	5 mm	Transparent	1 m	GTUP5G	5 mm	Embossed	1 m	GTUP5N	5 mm	Black	1 m
GTUP6	6 mm	Transparent	1 m	GTUP6G	6 mm	Embossed	1 m	GTUP6N	6 mm	Black	1 m



MAGNETIC IN-LINE GASKET

Material: Co-extruded rigid and soft PVC
 Resistant to UV rays
 Fungicide to prevent mould from forming
 Maximum operating temperature 70°C
 Colour: transparent, embossed balloon, black magnet

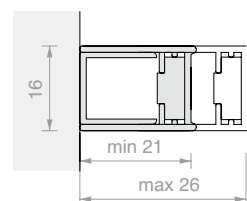


Art.	Length	For glass	Qty
GM11SX	2000 mm	From 6 to 8 mm	1 Pc
GM11SX2500	2500 mm	From 6 to 8 mm	1 Pc
GM11DX	2000 mm	From 6 to 8 mm	1 Pc
GM11DX2500	2500 mm	From 6 to 8 mm	1 Pc



MAGNETIC EXTENSION PROFILE

Material: Aluminium
 Finish: /91



Glass thickness	Art.	Air between the glass and profile
6 mm	GM11SX	10 mm
6 mm	GM66SX	8 mm
8 mm	GM11SX	10 mm
8 mm	GM66SX	10 mm
6 mm	GM12SX25	10 mm
8 mm	GM6630SX	8 mm

Art.	Length	Qty
PBCAL10	2300 mm	1 Pc



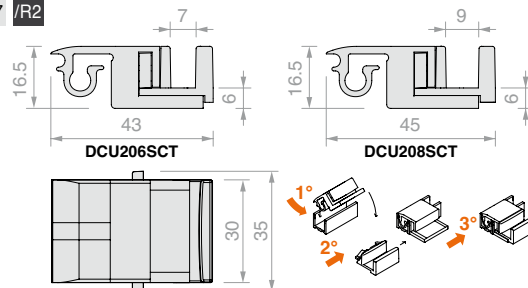


SNAP-ON FLOOR GUIDE FOR GLASS WITH PROFILE

Material: Zamak, ABS

Compatible with aluminium profiles in the PBD and LMU series

Finish: /1 /24 /97 /R2



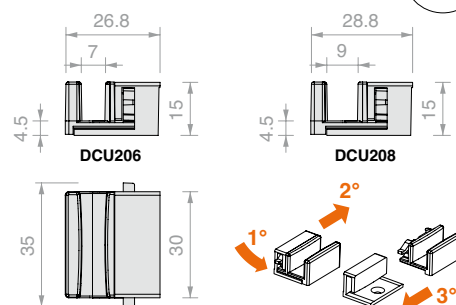
Art.	For glass	Qty
DCU206SCT	6 mm	1 Pc
DCU208SCT	8 mm	1 Pc



FLOOR GUIDE FOR GLASS WITH PROFILE

Material: ABS

Finish: /6 /88 /91 /97



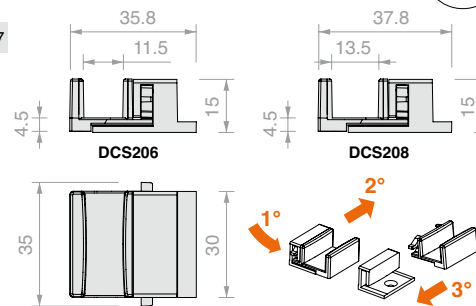
Art.	For glass	Qty
DCU206	6 mm	1 Pc
DCU208	8 mm	1 Pc



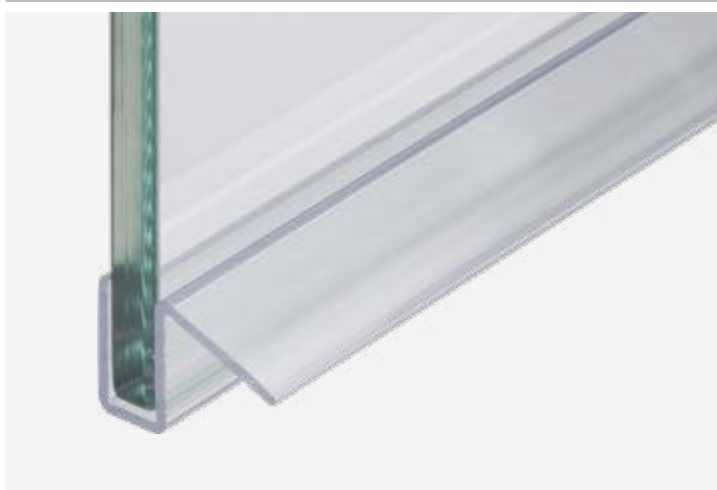
FLOOR GUIDE FOR SEALED GLASS AND DRIP FLAP

Material: ABS

Finish: /6 /88 /91 /97



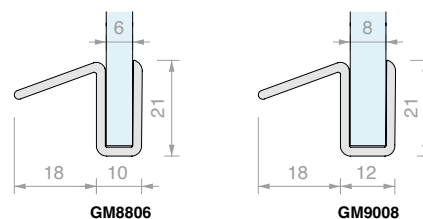
Art.	For glass	Qty
DCS206	6 mm	1 Pc
DCS208	8 mm	1 Pc



GASKET WITH DRIP FLAP

Material: Rigid PVC

Colour: transparent



Art.	Length	For glass	Qty
GM880607	750 mm	6 mm	1 Pc
GM880615	1500 mm	6 mm	1 Pc
GM900807	750 mm	8 mm	1 Pc
GM900815	1500 mm	8 mm	1 Pc



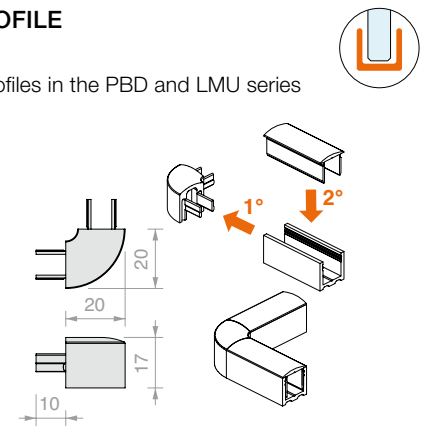
CORNER JOINT FOR PROFILE

Material: Zamak

Compatible with aluminium profiles in the PBD and LMU series

For PBD3184 upper profile

Finish: /1 /6 /24 /97



Art.

DCC90

Qty

1 Pc



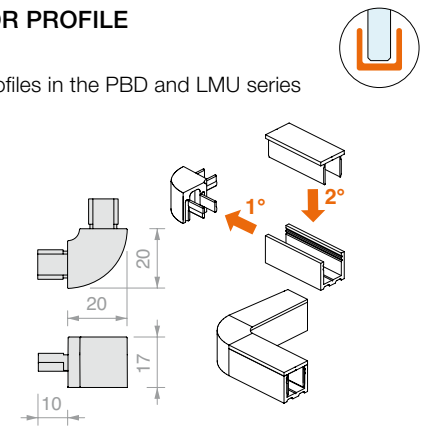
FLAT CORNER JOINT FOR PROFILE

Material: Zamak

Compatible with aluminium profiles in the PBD and LMU series

For PBD3186 upper profile

Finish: /1 /6 /24 /97



Art.

DCC90SQ

Qty

1 Pc

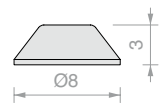


HALF ROUND ADHESIVE PROTECTORS

Material: Polyurethane, self-adhesive, acrylic quick-setting glue.

Resistant to UV rays, does not turn yellow

Colour: transparent



Art.

GOC009

Pcs per sheet

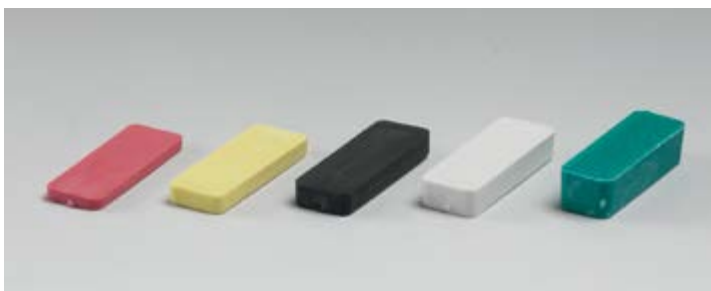
288

Hardness

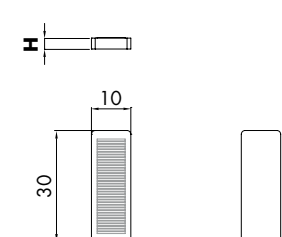
66-70 Shore A

Qty

1 Pc



PLASTIC SHIMS 10 x 30



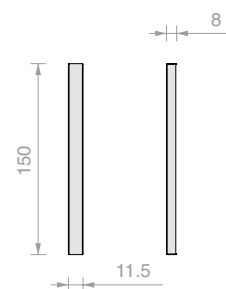
Art.	H	Package	Colour	Qty
SPE2392	2 mm	≈ 1200 Pcs	Red	1 kg
SPE2393	3 mm	≈ 1000 Pcs	Yellow	1 kg
SPE2394	4 mm	≈ 600 Pcs	Black	1 kg
SPE2395	5 mm	≈ 500 Pcs	White	1 kg
SPE2397	7 mm	≈ 400 Pcs	Green	1 kg



MAN500V150 ADHESIVE HANDLE

Material: Aluminium

Finish: /88 /91 /97 /R2



Art.

MAN500V150

Qty

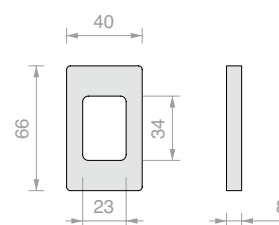
1 Pc



HAND6640VHB ADHESIVE HANDLE

Material: Aluminium

Finish: /1 /91 /97 /R2



Art.

HAND6640VHB

Qty

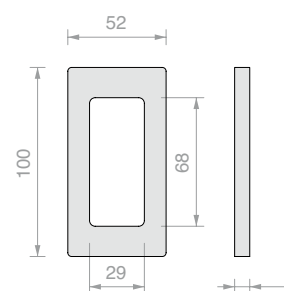
1 Pc



HAND10052VHB ADHESIVE HANDLE

Material: Aluminium

Finish: /1 /91 /97 /R2



Art.

HAND10052VHB

Qty

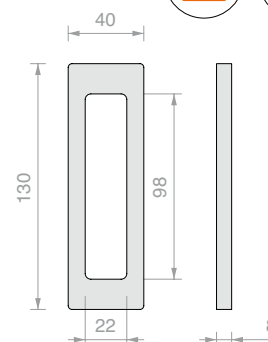
1 Pc



HAND13040VHB ADHESIVE HANDLE

Material: Aluminium

Finish: /1 /88 /91 /97 /R2



Art.

HAND13040VHB

Qty

1 Pc

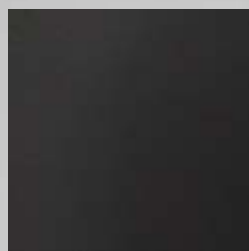
GOCCIA 50

Design

Aluminium shower system for 8- and 10-mm glass with a max. load of 40 kg. Finished track and aluminium cover, with no visible components.

Complete kits for each kind of installation, with SOFTBREAK shock absorber included. Practical, functional and resistant.





/6
Matt Black



/88
Brushed steel effect
aluminium



/91
Polished aluminium



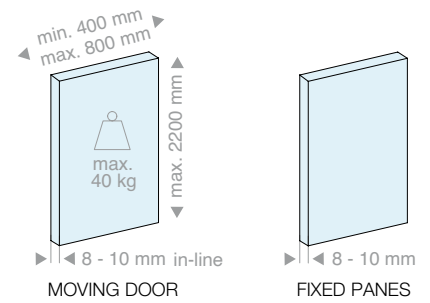
/97
Matt aluminium



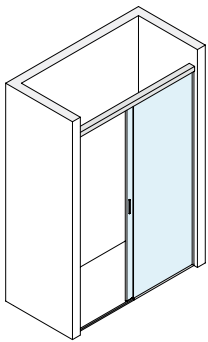
GOCCIA 50

Technical properties

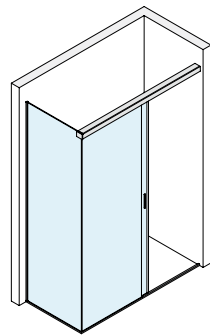
Aluminium load-bearing profile, 68 mm x 54 mm adapted to various needs. The sliding door can weigh up to 40 kg, and the distance between the fixed panes and moving doors is just 13 mm. In addition, the quick-release rail at the floor simplifies cleaning. The dual Softbreak damper system, with a stopping distance of 60 mm, ensures safe and reliable opening and closing over time.



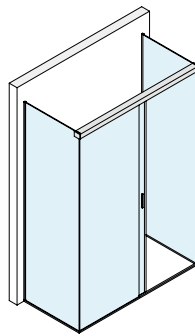
4 configurations



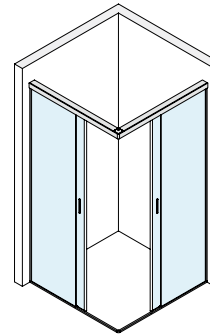
Wall/Wall



Wall/Glass



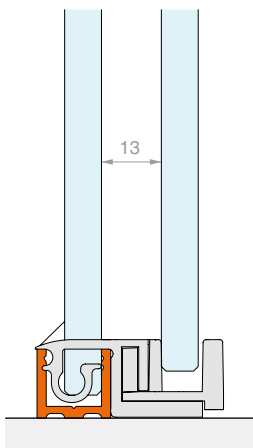
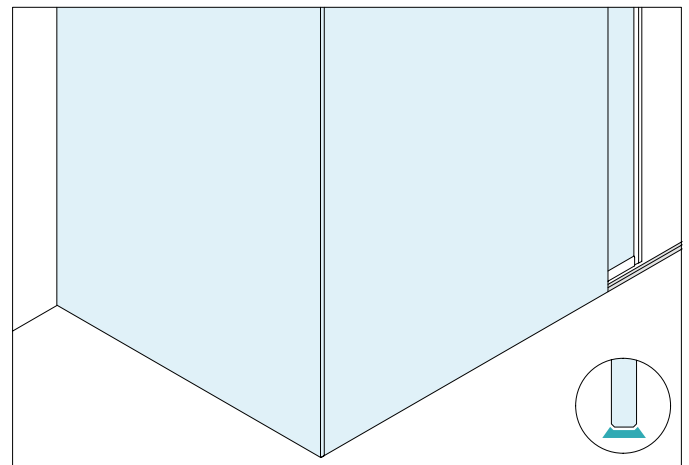
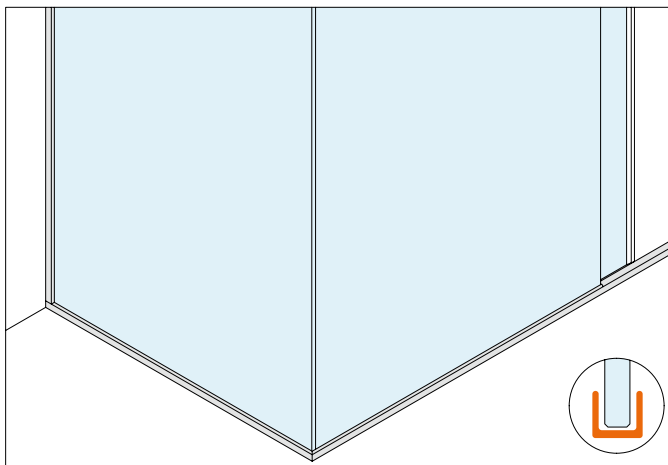
Glass/Glass*



Wall/Corner/Wall*

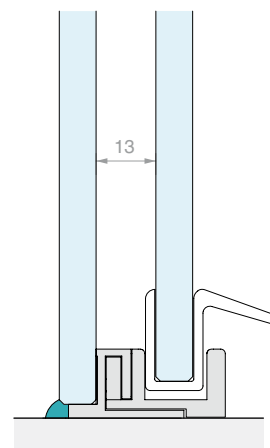


2 types of installation



Linea U For framed fixed panes

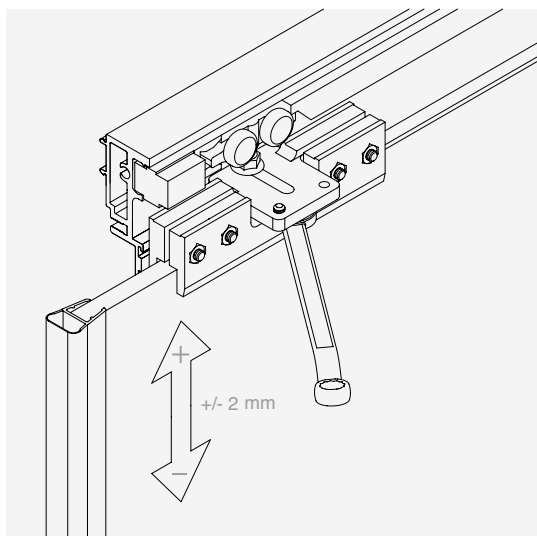
Simple, modern design. With Linea U, fixed panes are held within a 15 mm x 16 mm aluminium profile. The same profile, with an upper snap-on cover, acts as a water barrier in the open area.



Linea S For sealed fixed panes

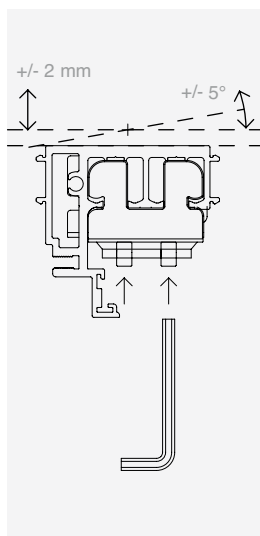
Elegance and perfect transparency. With Linea S, fixed panes are sealed to the supporting surface. A space-saving water barrier profile in aluminium, 8 mm x 10 mm, can be installed at the opening.

* available only for the Linea U



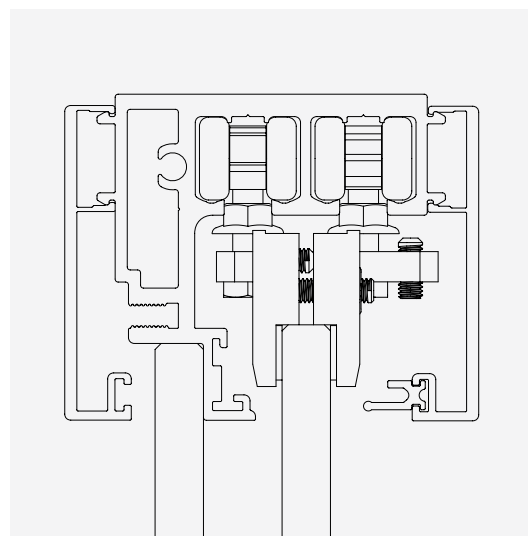
DOOR ADJUSTMENT

The height of each carrier can be adjusted to regulate the position of the door.



TRACK ADJUSTMENT

Vertical and angular adjustments allow the track to adapt perfectly to all types of needs.

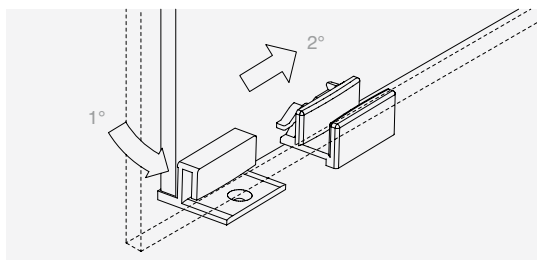
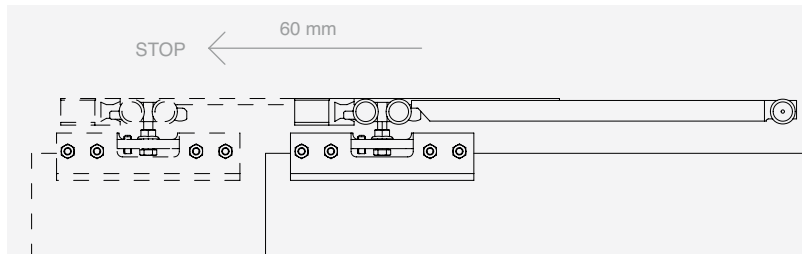


CARRIER

The carrier has four wheels to guarantee the utmost stability when the doors are sliding.

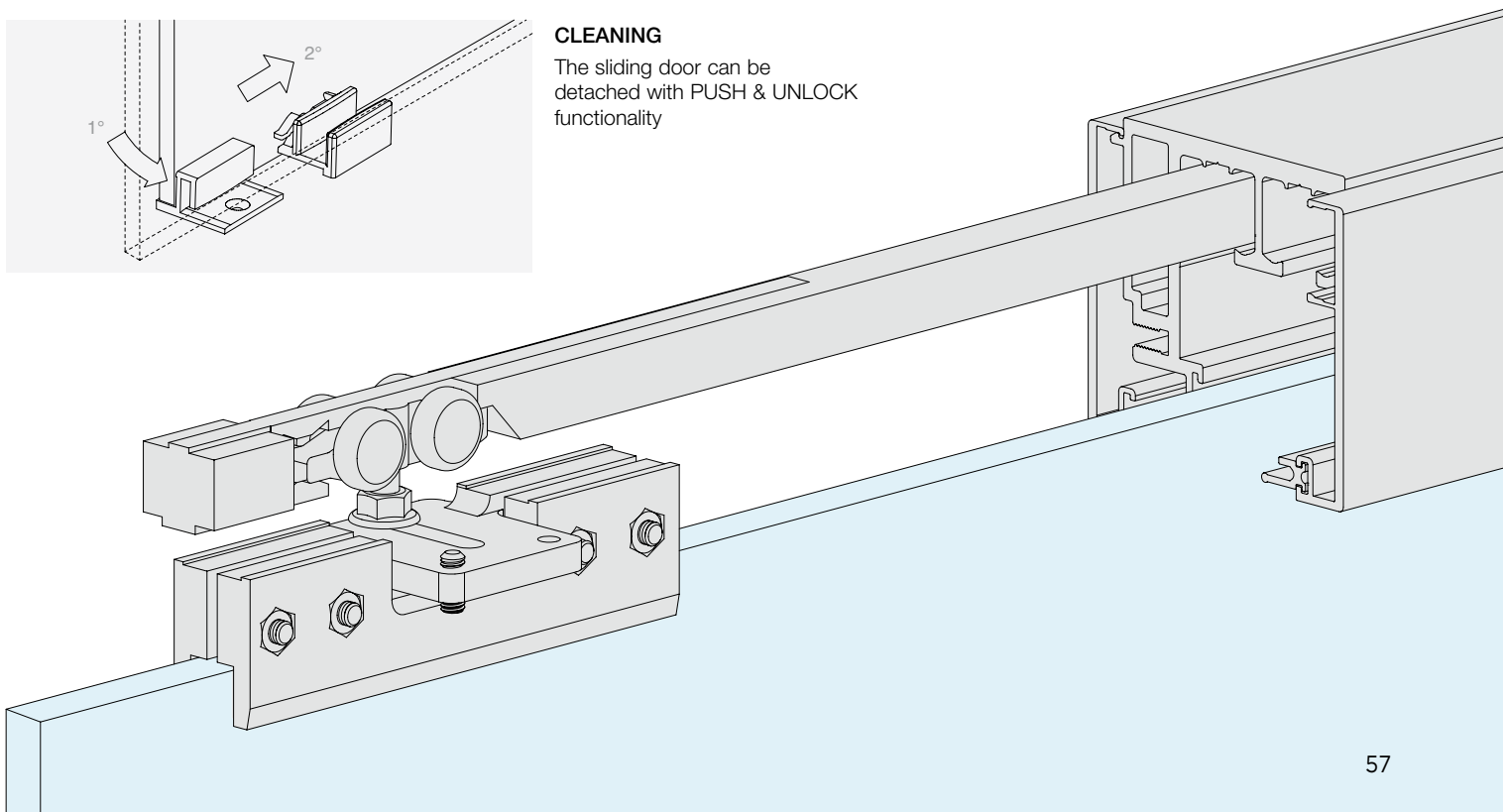
SOFT BREAK

The use of dampers reduces the speed of the door, attenuating impacts and allowing for controlled, noise-free movement.



CLEANING

The sliding door can be detached with PUSH & UNLOCK functionality



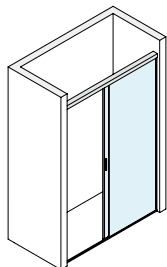


GOCCIA 50

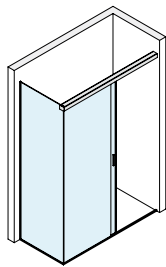
Kit



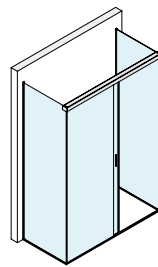
CONFIGURATIONS WITH FRAMED FIXED PANES



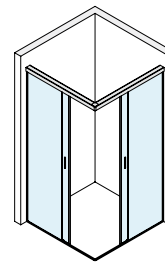
Page 61



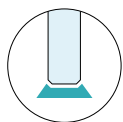
Page 63



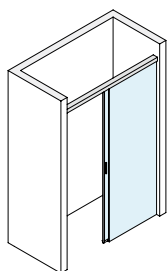
Page 65



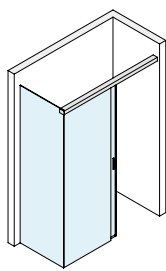
Page 67



CONFIGURATIONS WITH SEALED FIXED PANES



Page 68



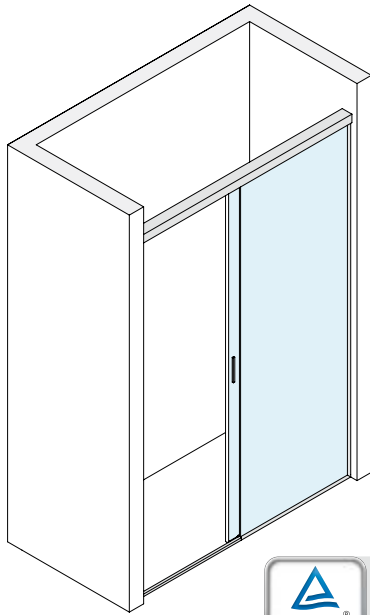
Page 70





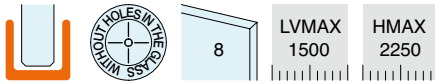
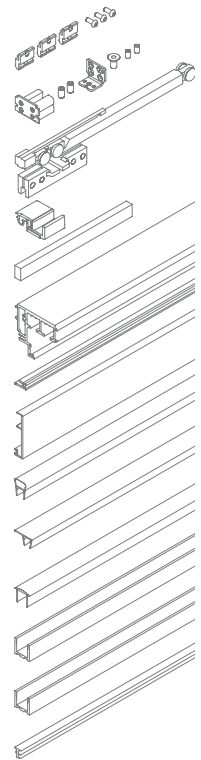
WALL/WALL SLIDING DOOR SHOWER KIT WITH FRAME PROFILE FOR FIXED PANE

Finish: /6 /88 /91 /97

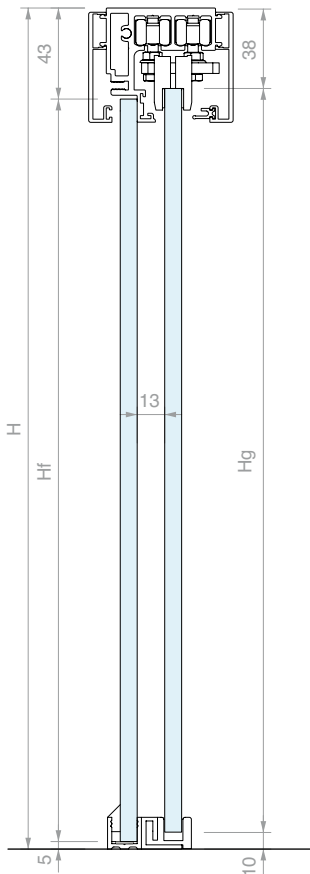


Kit comprising:

Art.	Description	Qty
G50KIT02	Fixed glass installation kit	1 Pc
G50KIT03	Wall fixing kit	2 Pcs
G50KIT01	Gripper and damper kit	2 Pcs
DCU108SCT	Snap-on floor guide	1 Pc
MAN500V150	Adhesive handle	2 Pcs
LM5859.150	Track	1 Pc
057.3078.002	Gasket for cover	3 m
LM0859.150	Cover	2 Pcs
GM0622	Balloon gasket	1 Pc
GM0141022	Gasket with side lip	1 Pc
PBD3184.100	Rounded upper profile	1 Pc
PBD3183.220	U-shaped profile	1 Pc
PBD3183.150	U-shaped profile	1 Pc
GTUP4	Glass holder gasket	4 m



RECOMMENDED LAYOUTS



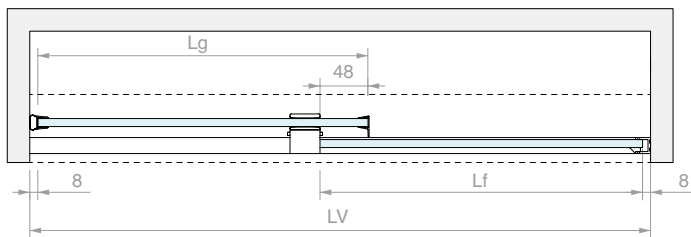
GLASS PANE DIMENSIONS

$L_g = (LV + 32) / 2$
 $L_f = L_g$

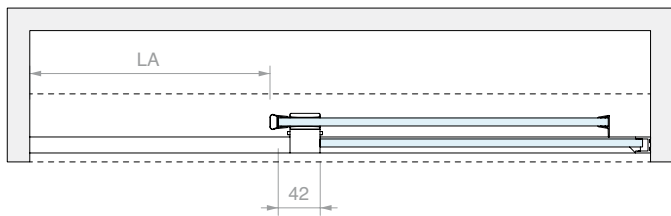
$H_g = H - 48$
 $H_f = H_g$

Other measurements
 $LA = (LV - 148) / 2$

CLOSED SLIDING DOOR CONFIGURATION



OPEN SLIDING DOOR CONFIGURATION



PRIMARY LENGTHS (mm)

LV	Lg	Lf	LA
1500	766	766	676
1400	716	716	626
1300	666	666	576
1200	616	616	526
1100	566	566	476

Art.

G50U10

Qty

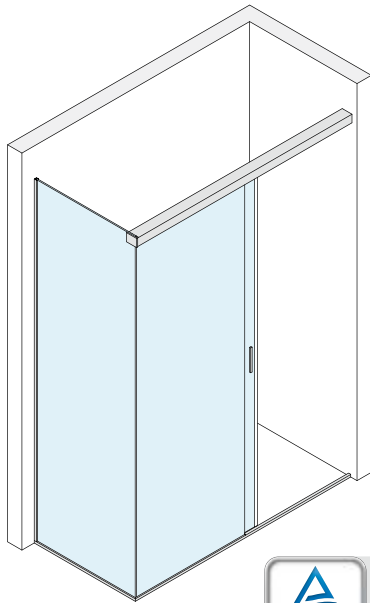
1 Pc





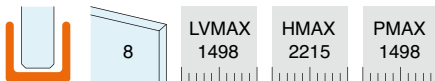
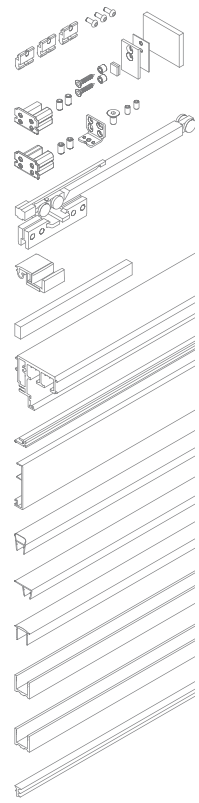
WALL/GLASS SLIDING DOOR SHOWER KIT WITH FRAME PROFILE FOR FIXED PANES

Finish: /6 /88 /91 /97



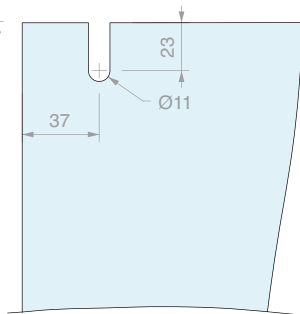
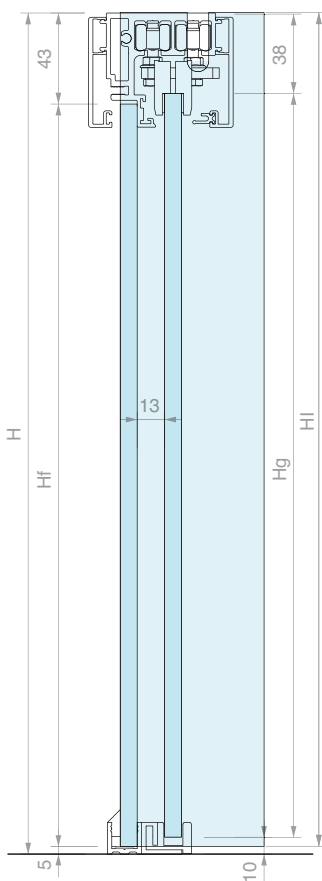
Kit comprising:

Art.	Description	Qty
G50KIT02	Fixed glass installation kit	1 Pc
G50KIT04	Glass fixing kit	1 Pc
G50KIT03	Wall fixing kit	1 Pc
G50KIT01	Gripper and damper kit	2 Pcs
DCU108SCT	Snap-on floor guide	1 Pc
MAN500V150	Adhesive handle	2 Pcs
LM5859.150	Track	1 Pc
057.3078.002	Gasket for cover	3 m
LM0859.150	Cover	2 Pcs
GM0622	Balloon gasket	1 Pc
GM0141022	Gasket with side lip	1 Pc
PBD3184.100	Rounded upper profile	1 Pc
PBD3183.220	U-shaped profile	1 Pc
PBD3183.150	U-shaped profile	2 Pcs
GTUP4	Glass holder gasket	6 m



RECOMMENDED LAYOUTS

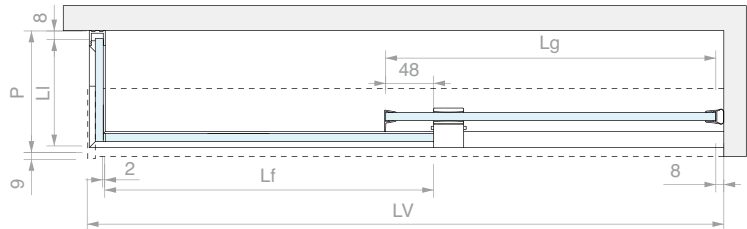
NOTCH FIXED SIDE GLASS



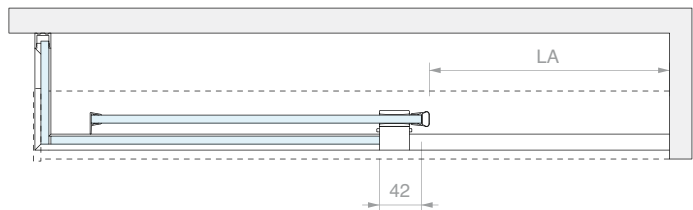
GLASS PANE DIMENSIONS

$L_g = (LV + 24) / 2$
 $L_f = L_g$
 $H_g = H - 48$
 $H_f = H_g$
 $L_i = P - 14$
 $H_i = H - 5$
 $L_A = (LV - 156) / 2$

CLOSED SLIDING DOOR CONFIGURATION



OPEN SLIDING DOOR CONFIGURATION



PRIMARY LENGTHS (mm)

LV	Lg	Lf	LA
1498	761	761	671
1398	711	711	621
1298	661	661	571
1198	611	611	521
1098	561	561	471

Art.
G50U20

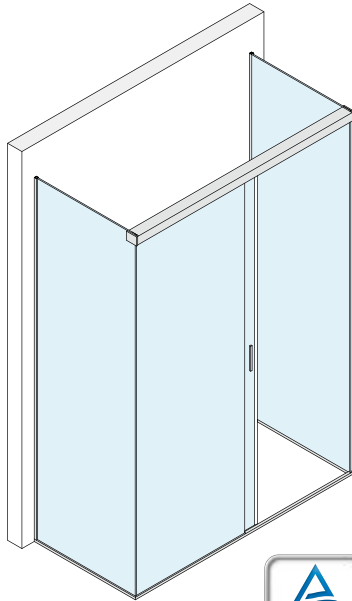
Qty
1 Pc





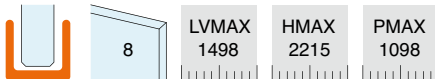
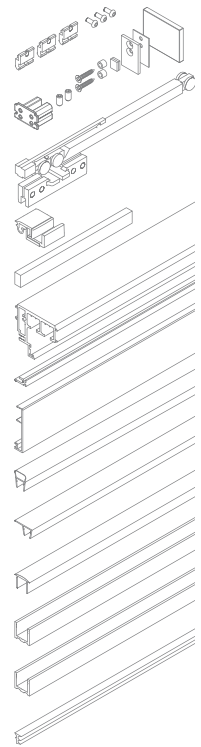
GLASS/GLASS SLIDING DOOR SHOWER KIT WITH FRAME PROFILE FOR FIXED PANES

Finish: /6 /88 /91 /97



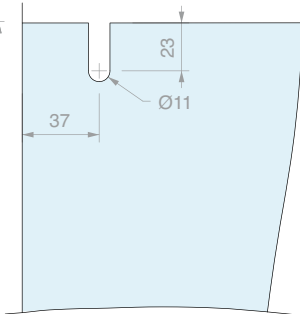
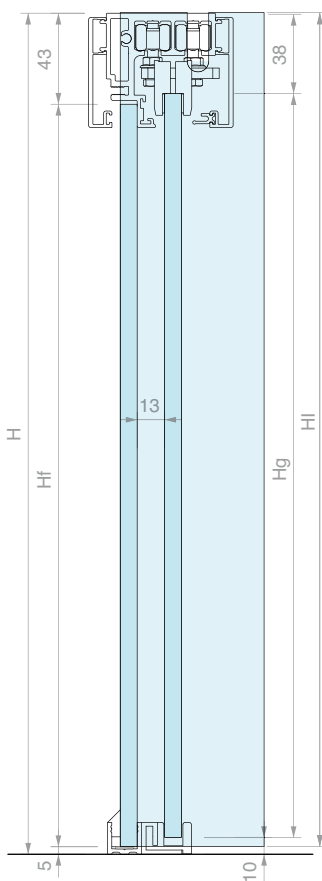
Kit comprising:

Art.	Description	Qty
G50KIT02	Fixed glass installation kit	1 Pc
G50KIT04	Glass fixing kit	2 Pcs
G50KIT01	Gripper and damper kit	2 Pcs
DCU108SCT	Snap-on floor guide	1 Pc
MAN500V150	Adhesive handle	2 Pcs
LM5859.150	Track	1 Pc
057.3078.002	Gasket for cover	3 m
LM0859.150	Cover	2 Pcs
GM0622	Balloon gasket	1 Pc
GM0141022	Gasket with side lip	1 Pc
PBD3184.100	Rounded upper profile	1 Pc
PBD3183.220	U-shaped profile	3 Pcs
PBD3183.150	U-shaped profile	1 Pc
GTUP4	Glass holder gasket	9 m



RECOMMENDED LAYOUTS

NOTCH FIXED SIDE GLASS



GLASS PANE DIMENSIONS

$L_g = (L_v + 10) / 2$
 $L_f = L_g$

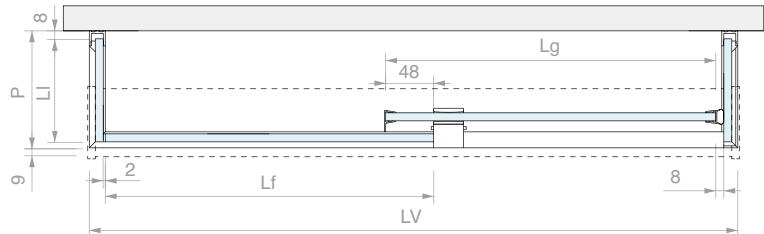
$H_g = H - 48$
 $H_f = H_g$

$L_i = P - 14$
 $H_i = H - 5$

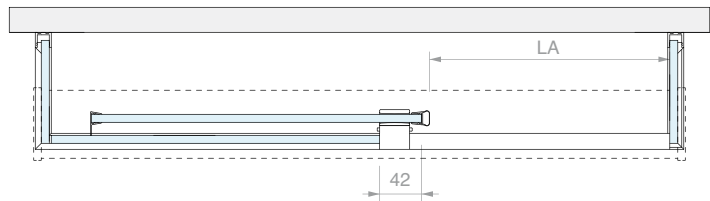
Other measurements

$L_A = (L_v - 170) / 2$

CLOSED SLIDING DOOR CONFIGURATION



OPEN SLIDING DOOR CONFIGURATION



PRIMARY LENGTHS (mm)

LV	Lg	Lf	LA
1498	754	754	664
1398	704	704	614
1298	654	654	564
1198	604	604	514
1098	554	554	464

Art.
G50U30

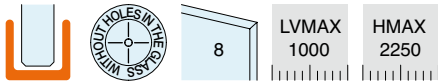
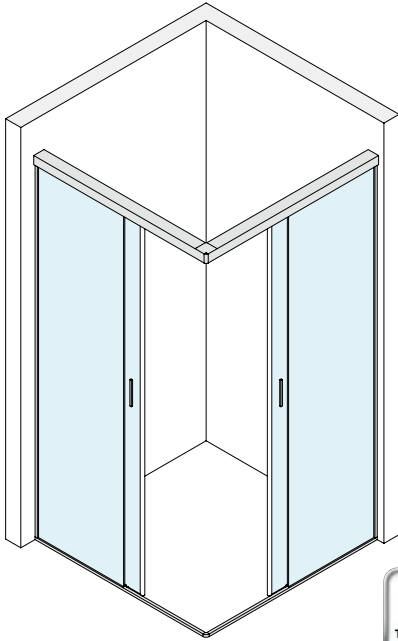
Qty
1 Pc





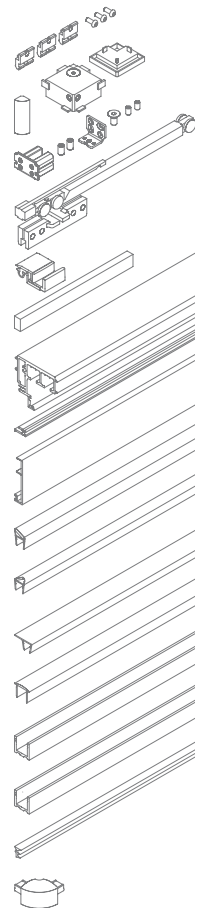
WALL/CORNER/WALL SLIDING DOOR SHOWER KIT WITH FRAME PROFILE FOR FIXED PANES

Finish: /6 /88 /91 /97

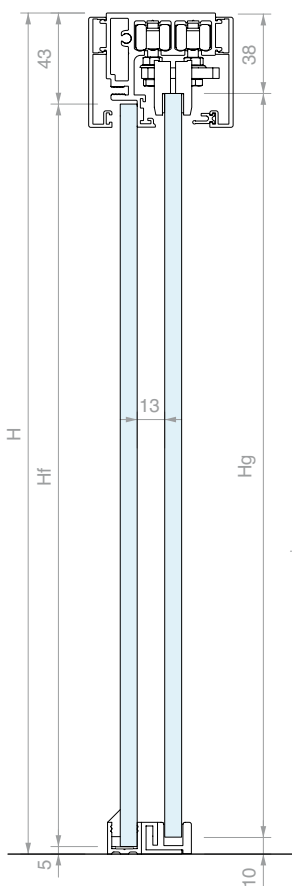


Kit comprising:

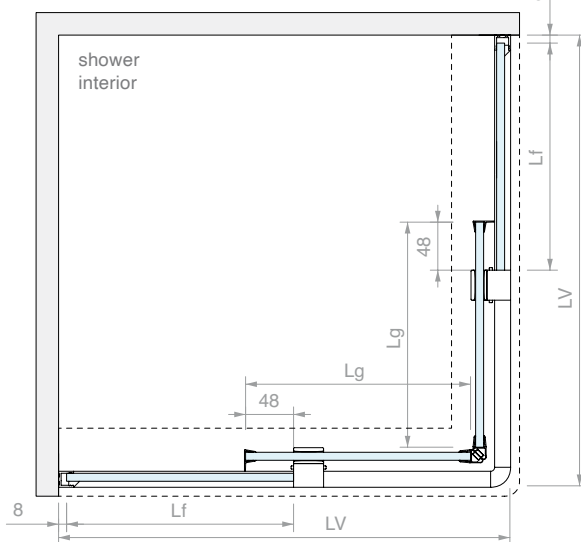
Art.	Description	Qty
G50KIT02	Fixed glass installation kit	2 Pcs
G50KIT05	Corner junction kit	1 Pc
G50KIT03	Wall fixing kit	2 Pcs
G50KIT01	Gripper and damper kit	4 Pcs
DCU108SCT	Snap-on floor guide	2 Pcs
MAN500V150	Adhesive handle	4 Pcs
LM5859.100	Track	2 Pcs
057.3078.002	Gasket for cover	6 m
LM0859.100	Cover	4 Pcs
GM1520SX	45° magnetic gasket	1 Pc
GM1520DX	45° magnetic gasket	1 Pc
GM0141022	Gasket with side lip	2 Pcs
PBD3184.100	Rounded upper profile	2 Pcs
PBD3183.220	U-shaped profile	2 Pcs
PBD3183.150	U-shaped profile	2 Pcs
GTUP4	Glass holder gasket	8 m
DCC90	Corner junction	1 Pc



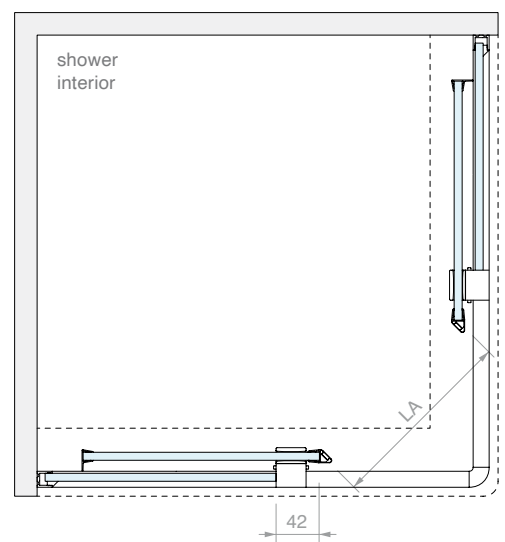
RECOMMENDED LAYOUTS



CLOSED SLIDING DOOR CONFIGURATION



OPEN SLIDING DOOR CONFIGURATION



GLASS PANE DIMENSIONS

$L_g = LV / 2$
 $L_f = L_g$
 $H_g = H - 48$
 $H_f = H_g$

Other measurements
 $LA = 0.7 \times (LV - 200)$

PRIMARY LENGTHS (mm)

LV	Lg	Lf	LA
1000	500	500	560
900	450	450	490
800	400	400	420

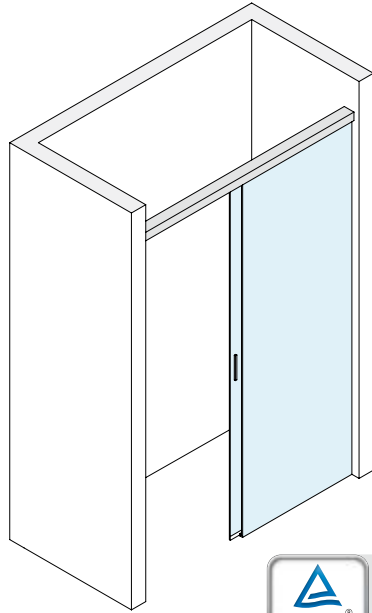
Art.
G50U40

Qty
 1 Pc



WALL/WALL SLIDING DOOR SHOWER KIT FOR SEALED FIXED PANE

Finish: /6 /88 /91 /97



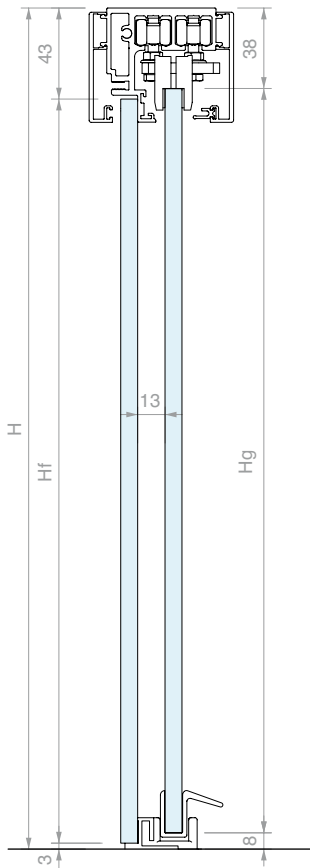
LVMAX 1500

HMAX 2247

Kit comprising:

Art.	Description	Qty	
G50KIT02	Fixed glass installation kit	1 Pc	
G50KIT03	Wall fixing kit	2 Pcs	
G50KIT01	Gripper and damper kit	2 Pcs	
DCS108	Floor guide	1 Pc	
MAN500V150	Adhesive handle	2 Pcs	
LM5859.150	Track	1 Pc	
057.3078.002	Seal for cover	3 m	
LM0859.150	Cover	2 Pcs	
GM900807	Gasket with drip flap	1 Pc	
Optional			
GM0622	Balloon gasket	1 Pc	
GM0141022	Gasket with side lip	1 Pc	
PESQ0810.075	Water barrier profile	1 Pc	

RECOMMENDED LAYOUTS



GLASS PANE DIMENSIONS

$$Lg = (LV + 38) / 2$$

$$Lf = Lg$$

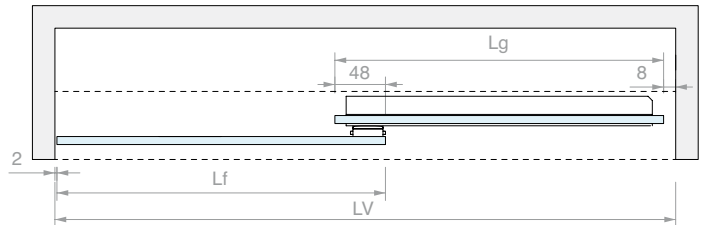
$$Hg = H - 46$$

$$Hf = Hg$$

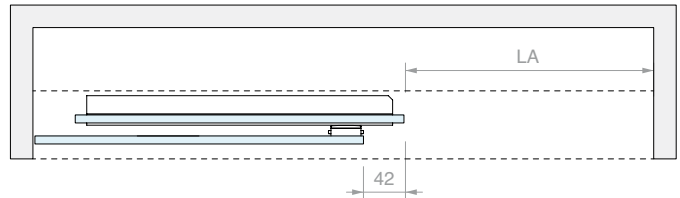
Other measurements

$$LA = (LV - 126) / 2$$

CLOSED SLIDING DOOR CONFIGURATION



OPEN SLIDING DOOR CONFIGURATION



PRIMARY LENGTHS (mm)

LV	Lg	Lf	LA
1500	769	769	687
1400	719	719	637
1300	669	669	587
1200	619	619	537
1100	569	569	487

Art. **G50S10**

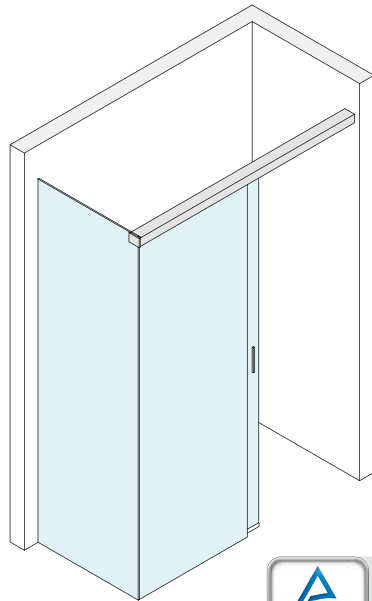
Qty **1 Pc**





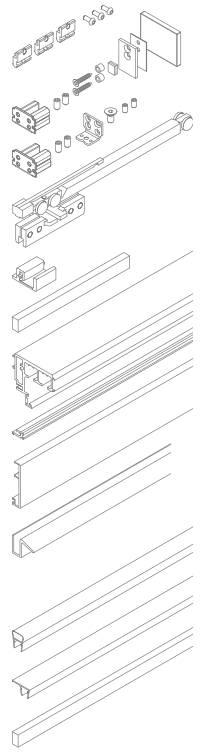
WALL/GLASS SLIDING DOOR SHOWER KIT FOR SEALED FIXED PANES

Finish: /6 /88 /91 /97



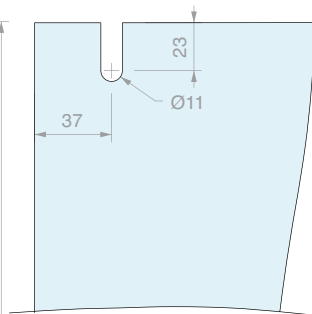
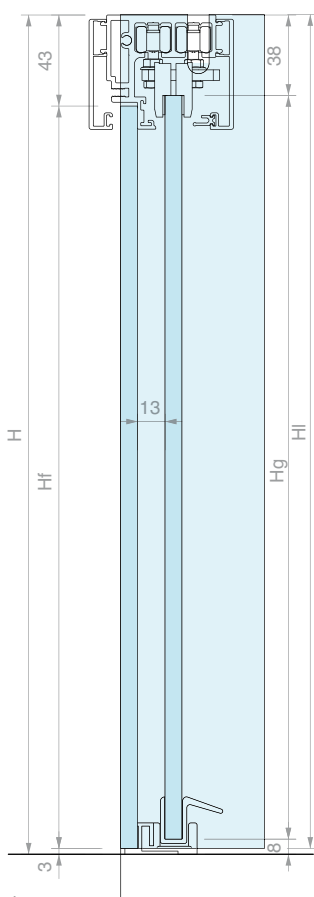
Kit comprising:

Art.	Description	Qty
G50KIT02	Fixed glass installation kit	1 Pc
G50KIT04	Glass fixing kit	1 Pc
G50KIT03	Wall fixing kit	1 Pc
G50KIT01	Gripper and damper kit	2 Pcs
DCS108	Floor guide	1 Pc
MAN500V150	Adhesive handle	2 Pcs
LM5859.150	Track	1 Pc
057.3078.002	Seal for cover	3 m
LM0859.150	Cover	2 Pcs
GM900807	Gasket with drip flap	1 Pc
Optional		
GM0622	Balloon gasket	1 Pc
GM0141022	Gasket with side lip	1 Pc
PESQ0810.075	Water barrier profile	1 Pc



RECOMMENDED LAYOUTS

NOTCH FIXED SIDE GLASS



GLASS PANE DIMENSIONS

$$L_g = (LV + 30) / 2$$

$$L_f = L_g$$

$$H_g = H - 46$$

$$H_f = H_g$$

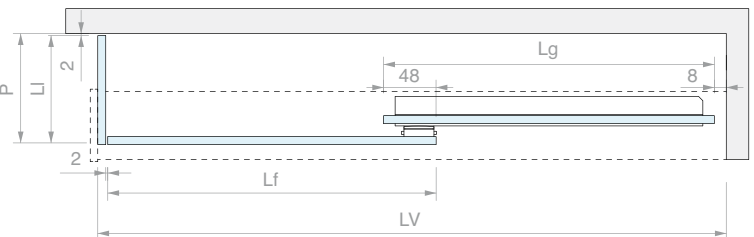
$$L_i = P - 2$$

$$H_i = H - 3$$

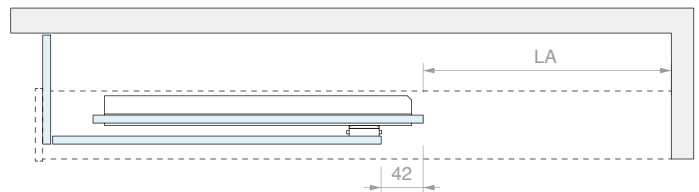
Other measurements

$$L_A = (LV - 134) / 2$$

CLOSED SLIDING DOOR CONFIGURATION



OPEN SLIDING DOOR CONFIGURATION



PRIMARY LENGTHS (mm)




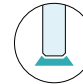
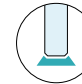
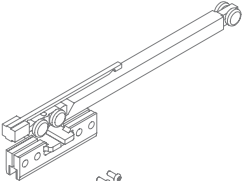





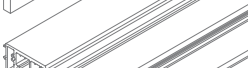









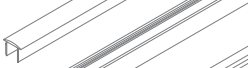





LV	Lg	Lf	LA
1496	763	763	681
1396	713	713	631
1296	663	663	581
1196	613	613	531
1096	563	563	481

Art. **G50S20**

Qty **1 Pc**



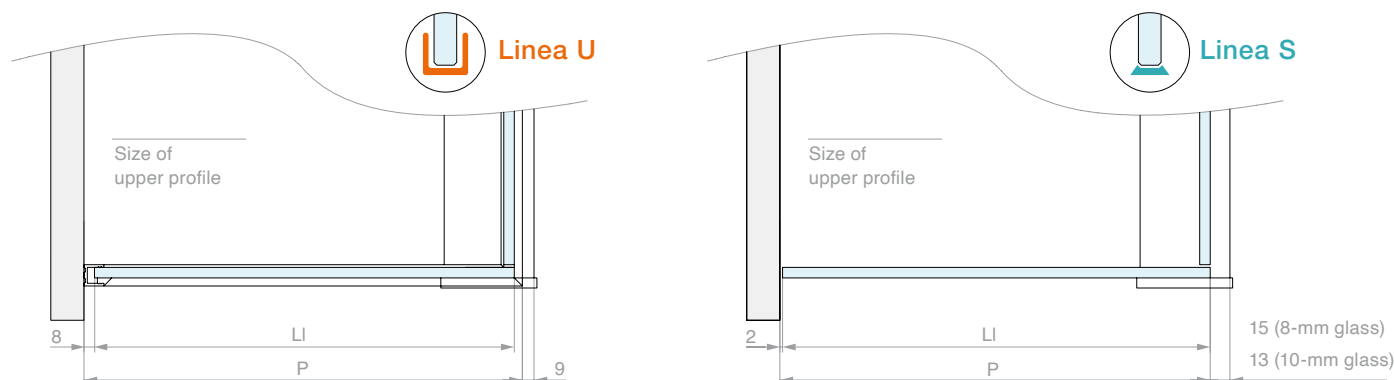


							
G50U10	G50U20	G50U30	G50U40	G50S10	G50S20		<ul style="list-style-type: none"> ⊙ = Universal components ○ = Components for 8-mm glass ● = Components for 10-mm glass
2 Pcs	2 Pcs	2 Pcs	4 Pcs	2 Pcs	2 Pcs	G50KIT01	⊙ 
1 Pc	1 Pc	1 Pc	2 Pcs	1 Pc	1 Pc	G50KIT02	⊙ 
2 Pcs	1 Pc		2 Pcs	2 Pcs	1 Pc	G50KIT03	⊙ 
	1 Pc	2 Pcs			1 Pc	G50KIT04	⊙ 
			1 Pc			G50KIT05	⊙ 
2 Pcs	2 Pcs	2 Pcs	4 Pcs	2 Pcs	2 Pcs	MAN500V150	⊙ 
1 Pc	1 Pc	1 Pc		1 Pc	1 Pc	LM5859.150 LM5859.100	⊙ 
			2 Pcs				
3 m	3 m	3 m	6 m	3 m	3 m	057.3078.002	⊙ 
2 Pcs	2 Pcs	2 Pcs		2 Pcs	2 Pcs	LM0859.150 LM0859.100	⊙ 
			4 Pcs				
1 Pc	1 Pc	1 Pc		1 Pc OPTIONAL	1 Pc OPTIONAL	GM0622	⊙ 
			1 Pc			GM1520DX	⊙ 
			1 Pc			GM1520SX	⊙ 
1 Pc	1 Pc	1 Pc	2 Pcs	1 Pc OPTIONAL	1 Pc OPTIONAL	GM0141022	⊙ 
				1 Pc	1 Pc	GM900807 GM921007	○ 
				1 Pc	1 Pc	DCS108 DCS110	○ 
1 Pc	1 Pc	1 Pc	2 Pcs			DCU108SCT DCU110SCT	○ 
1 Pc	1 Pc	1 Pc	2 Pcs			PBD3184.100	⊙ 
1 Pc	1 Pc	3 Pcs	2 Pcs			PBD3183.220	⊙ 
1 Pc	2 Pcs	1 Pc	2 Pcs			PBD3183.150	⊙ 
5 m	6 m	9 m	8 m			GTUP4 GTUP2	○ 
			1 Pc			DCC90	⊙ 
				1 Pc OPTIONAL	1 Pc OPTIONAL	PESQ0810.075	⊙ 

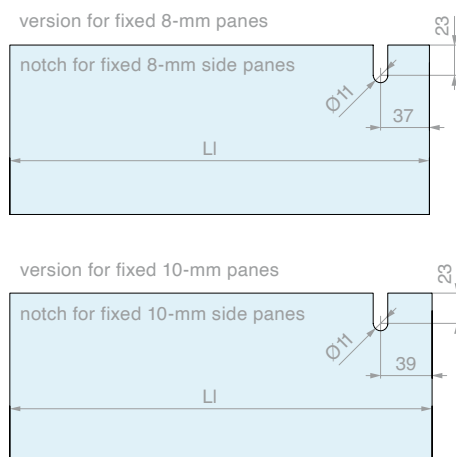


MEASUREMENTS (mm):								
LV length at the floor								
H total height			G50U10	G50U20	G50U30	G50U40	G50S10	G50S20
P depth at the floor (if applicable)								
type of pane	dimension	pane thickness						
moving door	width (Lg)	8-10 mm	$\frac{LV + 32}{2}$	$\frac{LV + 24}{2}$	$\frac{LV + 10}{2}$	$\frac{LV}{2}$	$\frac{LV + 38}{2}$	$\frac{LV + 30}{2}$
	height (Hg)	8-10 mm	H - 48	H - 48	H - 48	H - 48	H - 46	H - 46
fixed pane	width (Lf)	8-10 mm	$\frac{LV + 32}{2}$	$\frac{LV + 24}{2}$	$\frac{LV + 10}{2}$	$\frac{LV}{2}$	$\frac{LV + 38}{2}$	$\frac{LV + 30}{2}$
	height (Hf)	8-10 mm	H - 48	H - 48	H - 48	H - 48	H - 46	H - 46
fixed adjustment	width (Li)	8mm	-	P - 14	P - 14	-	-	P - 2
		10mm	-	P - 12	P - 12	-	-	P - 2
	height (Hi)	8-10 mm	-	H - 5	H - 5	-	-	H - 3

REFERENCE SIZES FOR THE DEPTH: (only for Wall/Glass and Glass/Glass configurations)



SHAPE AND POSITION OF THE NOTCHES: (only for side panes in Wall/Glass and Glass/Glass configurations)

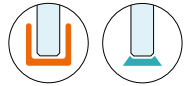


Note: Glass panes in moving doors and fixed front panes do not require processing in any configuration.



GRIPPER AND DAMPER KIT

- composed of:
- 1 activator
 - 1 carrier with damper
 - 1 complete gripper
 - 1 screw for carrier
 - 1 lock nut for carrier screws
 - 1 anti-derailment device

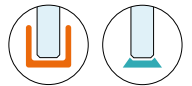


Art.	For glass	Qty
G50KIT01	From 8 to 10 mm	1 Pc



FIXED GLASS INSTALLATION KIT

- composed of:
- 3 reversible plastic inserts
 - 3 M4x10 mm round head screws

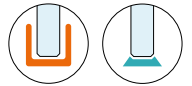


Art.	For glass	Qty
G50KIT02	From 8 to 10 mm	1 Pc



WALL FIXING KIT

- composed of:
- 1 POM plastic insert
 - 2 M6x12 mm set screws
 - 1 wall fixing bracket 27 mm x 38 mm h 33 mm
 - 1 M6x12 mm countersunk screw
 - 2 M5x8 mm adjustment set screws

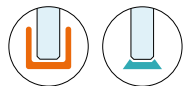


Art.	Qty
G50KIT03	1 Pc



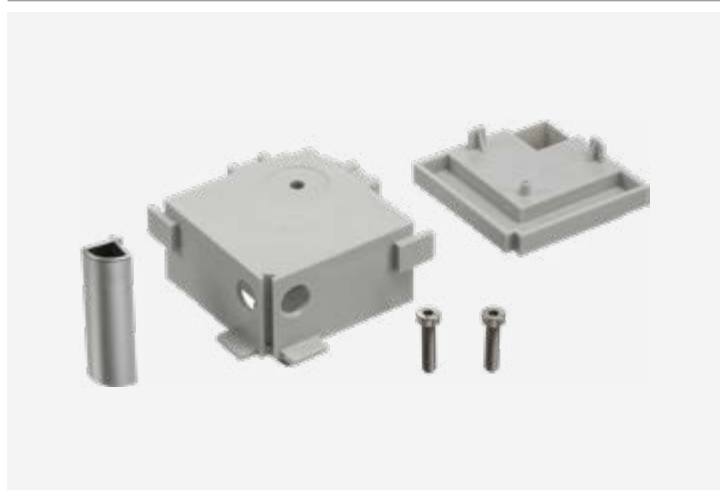
GLASS FIXING KIT

- composed of:
- 1 POM insert
 - 2 M6x12 mm set screws
 - 2 5.5 mm x 32 mm self-tapping screws
 - 2 cylindrical gaskets to protect the notch
 - 1 flat seal between the glass and counterplate
 - 1 steel counterplate
 - 1 fixing cover, 3M Dual Lock 40 mm x 19 mm x 5.7 mm
 - 1 aluminium finishing cover



Finish: /6 /88 /91 /97

Art.	Qty
G50KIT04	1 Pc



CORNER JUNCTION KIT FOR TRACK

composed of:

- 1 corner profile in painted ABS
- 1 structural profile joint insert in grey ABS
- 1 lower structural profile joint insert in grey ABS
- 2 M5x14 mm cylindrical head screws

Finish: /6 /88 /91 /97



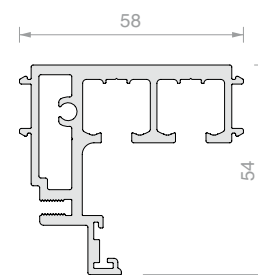
Art.	Qty
G50KIT05	1 Pc



TRACK

Material: Aluminium

Finish: /6 /88 /91 /97



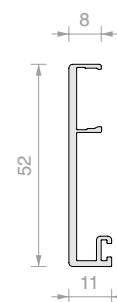
Art.	Length	Qty
LM5859.100	996 mm	1 Pc
LM5859.150	1498 mm	1 Pc
LM5859.200	2000 mm	1 Pc
LM5859.300	3000 mm	1 Pc



TRACK COVER

Material: Aluminium

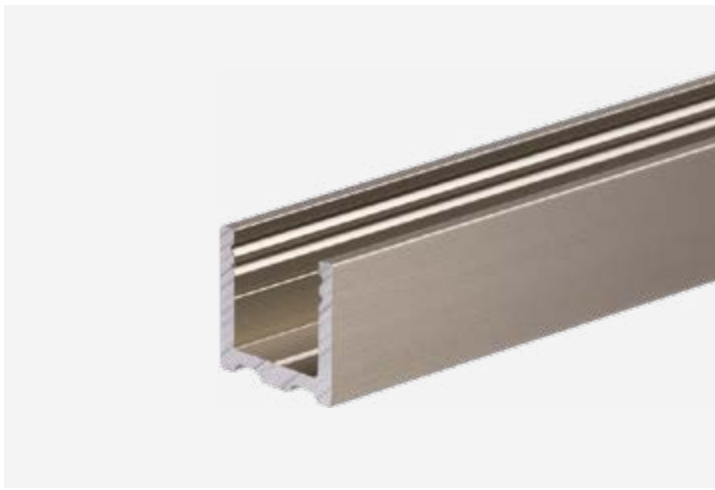
Finish: /6 /88 /91 /97



Art.	Length	Qty
LM0859.100	996 mm	1 Pc
LM0859.150	1498 mm	1 Pc
LM0859.200	2000 mm	1 Pc
LM0859.300	3000 mm	1 Pc



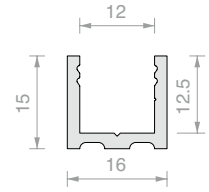
GOCCIA 35
GOCCIA 50



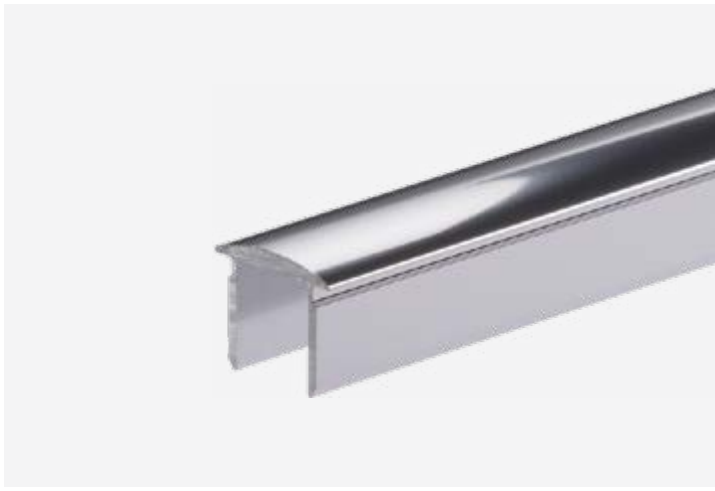
U-SHAPED PROFILE

Material: Aluminium

Finish: /6 /88 /91 /97



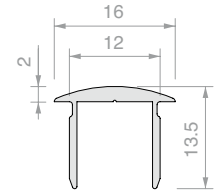
Art.	Length	Qty
PBD3183.150	1498 mm	1 Pc
PBD3183.220	2200 mm	1 Pc
PBD3183	3000 mm	1 Pc



ROUNDED UPPER PROFILE PBD3184

Material: Aluminium

Finish: /6 /88 /91 /97



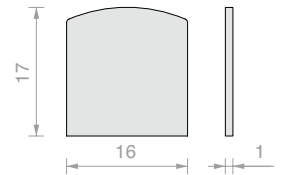
Art.	Length	Qty
PBD3184.100	992 mm	1 Pc
PBD3184.150	1498 mm	1 Pc
PBD3184	3000 mm	1 Pc



ROUNDED CAP PBD

Material: Aluminium

Finish: /6 /88 /91 /97



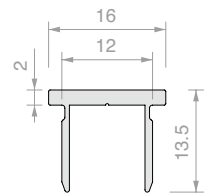
Art.	Qty
PBDTP	1 Pc



FLAT UPPER PROFILE PBD3186

Material: Aluminium

Finish: /6 /88 /91 /97



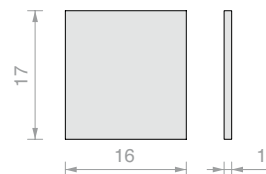
Art.	Length	Qty
PBD3186.100	992 mm	1 Pc
PBD3186.150	1498 mm	1 Pc
PBD3186	3000 mm	1 Pc



PBD FLAT CAP

Material: Aluminium

Finish: /6 /88 /91 /97



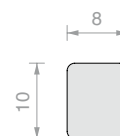
Art.	Qty
PBD86TP	1 Pc



WATER BARRIER PROFILE

Material: Aluminium

Finish: /6 /88 /91 /97



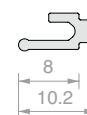
Art.	Length	Qty
PESQ0810.075	747 mm	1 Pc
PESQ0810.150	1498 mm	1 Pc
PESQ0810.300	3000 mm	1 Pc



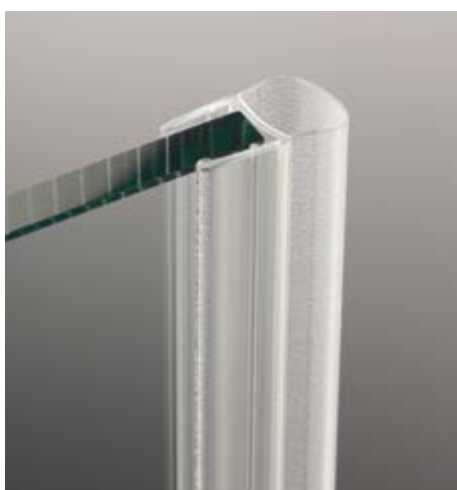
SEAL FOR COVER LM0859

Material: Rubber

Finish: black



Art.	Qty
057.3078.002	1 m

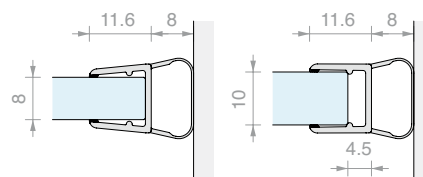


BALLOON GASKET

Material: Co-extruded rigid and soft PVC - Resistant to UV rays

Fungicide to prevent mould from forming

Colour: transparent/*black, transparent balloon



Art.	Length	For glass	Qty
GM06	2000 mm	From 8 to 10 mm	1 Pc
GM0622	2200 mm	From 8 to 10 mm	1 Pc
GM0622NR*	2200 mm	From 8 to 10 mm	1 Pc
GM0625	2500 mm	From 8 to 10 mm	1 Pc
GM0625NR*	2500 mm	From 8 to 10 mm	1 Pc
GM063000	3000 mm	From 8 to 10 mm	1 Pc
GM063000NR*	3000 mm	From 8 to 10 mm	1 Pc

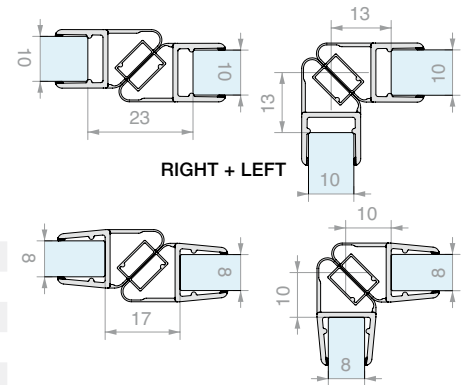
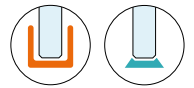


GOCCIA 35
GOCCIA 50



MAGNETIC 45° GASKET

Material: Co-extruded rigid and soft PVC
Resistant to UV rays
Fungicide to prevent mould from forming
Maximum operating temperature 70°C
Colour: transparent/*black, white/*black magnet

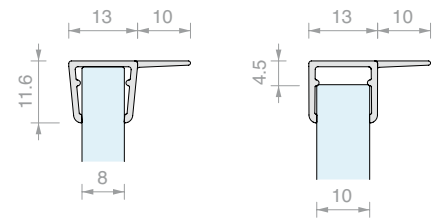
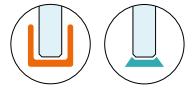


Art.	Length	For glass	Qty
GM1520SX	2200 mm	From 8 to 10 mm	1 Pc
GM1520SXNR*	2200 mm	From 8 to 10 mm	1 Pc
GM1520DX	2200 mm	From 8 to 10 mm	1 Pc
GM1520DXNR*	2200 mm	From 8 to 10 mm	1 Pc
GM15SX	2500 mm	From 8 to 10 mm	1 Pc
GM15DX	2500 mm	From 8 to 10 mm	1 Pc
GM1530SX	3000 mm	From 8 to 10 mm	1 Pc
GM1530DX	3000 mm	From 8 to 10 mm	1 Pc



GASKET WITH SHORT SIDE LIP

Material: Co-extruded rigid and soft PVC
Fungicide to prevent mould from forming
Colour: transparent, embossed lip



Art.	Length	For glass	Qty
GM01410	2000 mm	From 8 to 10 mm	1 Pc
GM0141022	2200 mm	From 8 to 10 mm	1 Pc
GM0141025	2500 mm	From 8 to 10 mm	1 Pc



GLASS HOLDER SEAL

Material: PVC

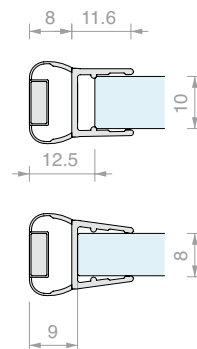


Art.	Thickness	Colour	Qty	Art.	Thickness	Colour	Qty	Art.	Thickness	Colour	Qty
GTUP2	2 mm	Transparent	1 m	GTUP2G	2 mm	Embossed	1 m	GTUP2N	2 mm	Black	1 m
GTUP3	3 mm	Transparent	1 m	GTUP3G	3 mm	Embossed	1 m	GTUP3N	3 mm	Black	1 m
GTUP4	4 mm	Transparent	1 m	GTUP4G	4 mm	Embossed	1 m	GTUP4N	4 mm	Black	1 m
GTUP5	5 mm	Transparent	1 m	GTUP5G	5 mm	Embossed	1 m	GTUP5N	5 mm	Black	1 m
GTUP6	6 mm	Transparent	1 m	GTUP6G	6 mm	Embossed	1 m	GTUP6N	6 mm	Black	1 m



MAGNETIC IN-LINE GASKET

Material: Co-extruded rigid and soft PVC
 Colour: transparent embossed, white magnet



Art.	Length	For glass	Qty
GM1720SX	2200 mm	From 8 to 10 mm	1 Pc
GM17SX	2500 mm	From 8 to 10 mm	1 Pc
GM1730SX	3000 mm	From 8 to 10 mm	1 Pc

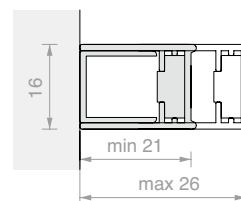


MAGNETIC EXTENSION PROFILE

Material: Aluminium
 Finish: /91



Glass thickness	Art.	Air between the glass and profile
6 mm	GM11SX	10 mm
6 mm	GM66SX	8 mm
8 mm	GM11SX	10 mm
8 mm	GM66SX	10 mm
6 mm	GM12SX25	10 mm
8 mm	GM6630SX	8 mm

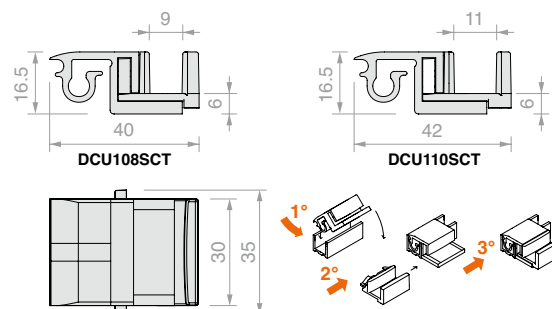


Art.	Length	Qty
PBCAL10	2300 mm	1 Pc



SNAP-ON FLOOR GUIDE FOR GLASS WITH PROFILE

Material: Zamak, ABS
 Compatible with aluminium profiles in the PBD and LMU series
 Finish: /1 /24 /97 /R2



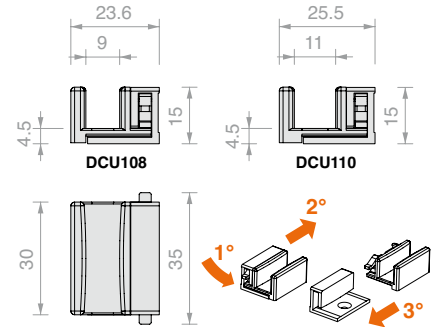
Art.	For glass	Qty
DCU108SCT	8 mm	1 Pc
DCU110SCT	10 mm	1 Pc



FLOOR GUIDE FOR GLASS WITH PROFILE

Material: ABS

Finish: /88 /91 /97 /R2



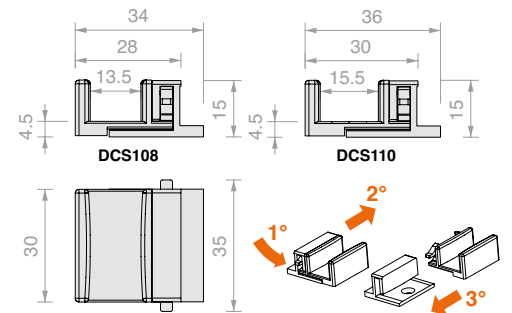
Art.	For glass	Qty
DCU108	8 mm	1 Pc



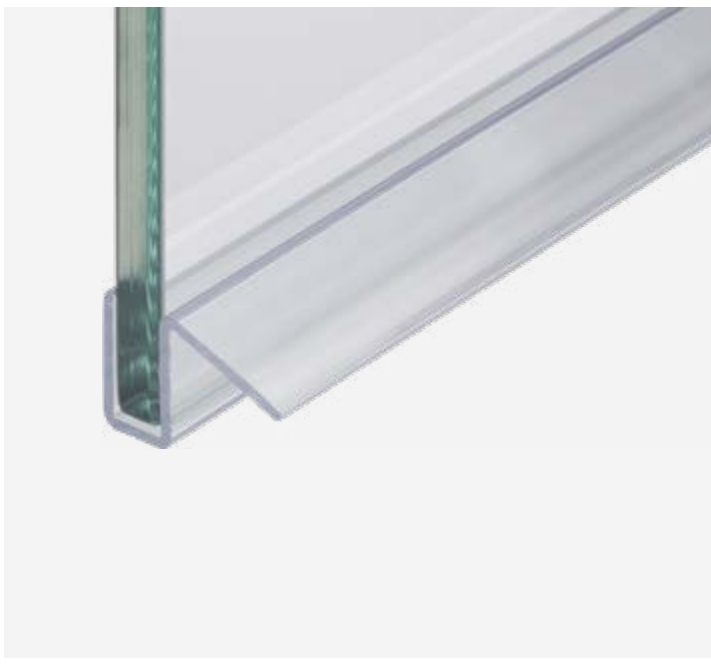
FLOOR GUIDE FOR SEALED GLASS AND DRIP FLAP

Material: ABS

Finish: /88 /91 /97 /R2



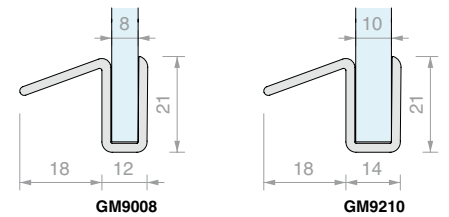
Art.	For glass	Qty
DCS108	8 mm	1 Pc
DCS110	10 mm	1 Pc



GASKET WITH DRIP FLAP

Material: Rigid PVC

Colour: transparent



Art.	Length	For glass	Qty
GM900807	750 mm	8 mm	1 Pc
GM900815	1500 mm	8 mm	1 Pc
GM921007	750 mm	10 mm	1 Pc
GM921015	1500 mm	10 mm	1 Pc



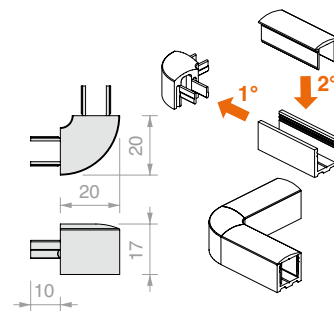
CORNER JOINT FOR PROFILE

Material: Zamak

Compatible with aluminium profiles in the PBD and LMU series

For PBD3184 upper profile

Finish: /1 /6 /24 /97



Art.	Qty
DCC90	1 Pc



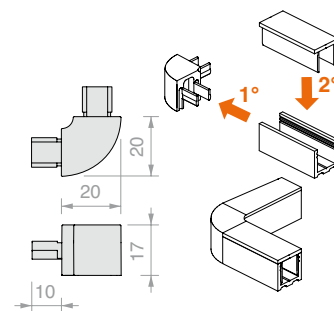
FLAT CORNER JOINT FOR PROFILE

Material: Zamak

Compatible with aluminium profiles in the PBD and LMU series

For PBD3186 upper profile

Finish: /1 /6 /24 /97



Art.	Qty
DCC90SQ	1 Pc

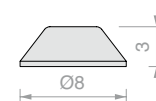


HALF ROUND ADHESIVE PROTECTORS

Material: Polyurethane, self-adhesive, acrylic quick-setting glue.

Resistant to UV rays, does not turn yellow

Colour: transparent

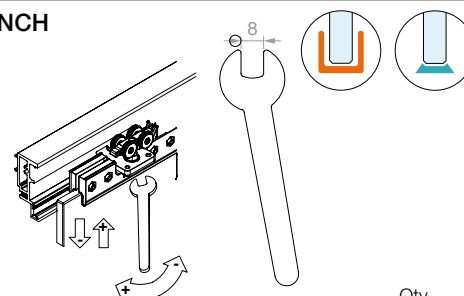


Art.	Pcs per sheet	Hardness	Qty
GOC009	288	66-70 Shore A	1 Pc



ADJUSTMENT WRENCH

Material: Steel



Art.	Qty
GOCCHIA8	1 Pc

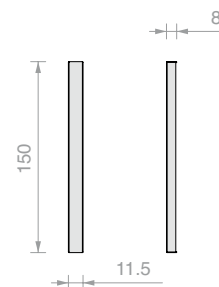




MAN500V150 ADHESIVE HANDLE

Material: Aluminium

Finish: /88 /91 /97 /R2



Art.

MAN500V150

Qty

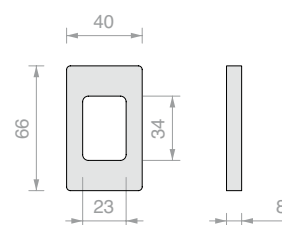
1 Pc



HAND6640VHB ADHESIVE HANDLE

Material: Aluminium

Finish: /1 /91 /97 /R2



Art.

HAND6640VHB

Qty

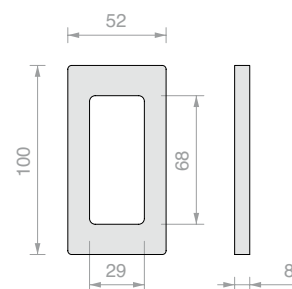
1 Pc



HAND10052VHB ADHESIVE HANDLE

Material: Aluminium

Finish: /1 /91 /97 /R2



Art.

HAND10052VHB

Qty

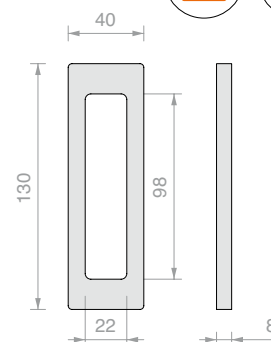
1 Pc



HAND13040VHB ADHESIVE HANDLE

Material: Aluminium

Finish: /1 /88 /91 /97 /R2



Art.

HAND13040VHB

Qty

1 Pc

GLMFLAT

Design

The lightness of an all-glass system is combined with straight lines and the beauty of steel.

Sliding wheels visible on a minimal 30 mm x 10 mm rail. This is the GLMFLAT system.





/8
Brushed steel



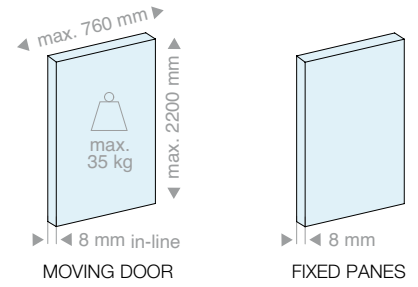
/15
Polished steel



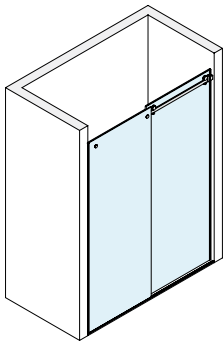
GLMFLAT

Technical properties

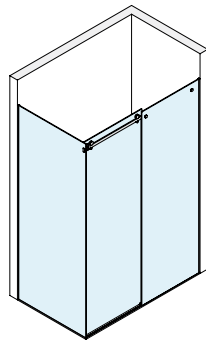
Sliding door system for 8-mm glass with visible mechanisms. The carriers and stabilisation accessories slide on a robust yet minimal track to move doors weighing up to 35 kg. From the end stop to the bottom rail, the system is equipped with sophisticated accessories, without limiting functionality or reliability.



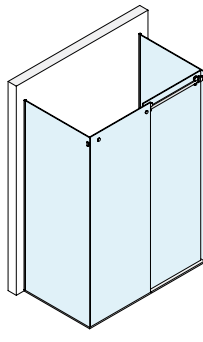
4 configurations



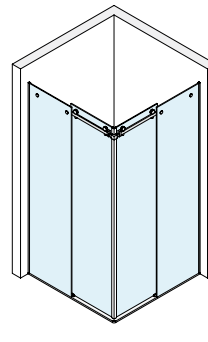
Wall/Wall



Wall/Glass

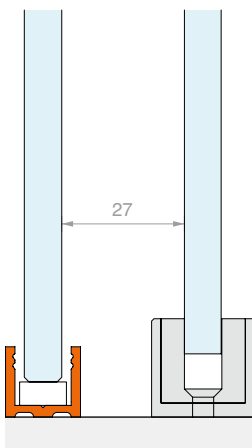
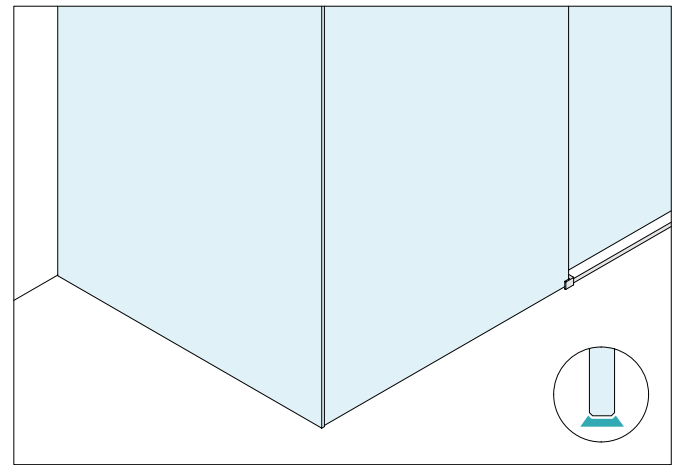
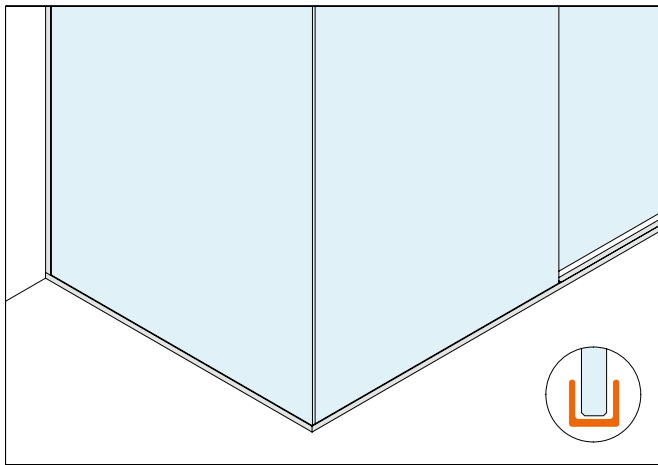


Glass/Glass



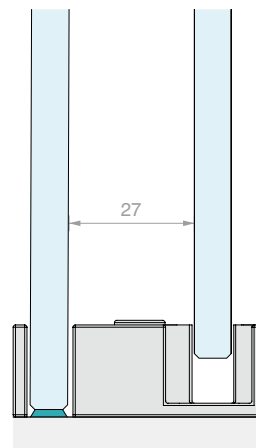
Wall/Corner/Wall

2 types of installation



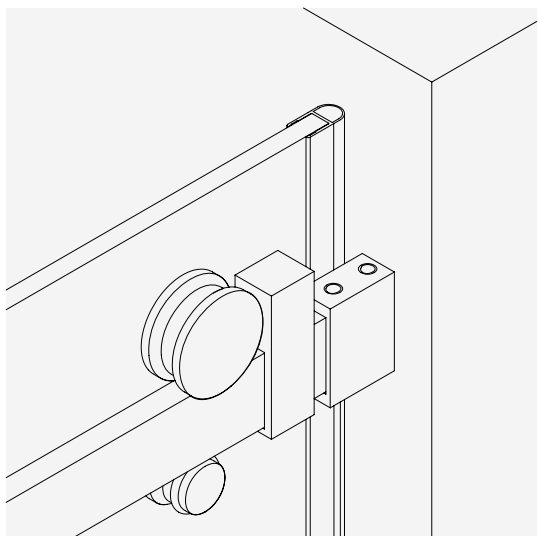
Kits
With framed fixed panes

Simple, modern design. With this solution, fixed glass panes are installed within a 15 mm x 16 mm aluminium profile. The same profile, with an upper snap-on cover, acts as a water barrier in the open area.



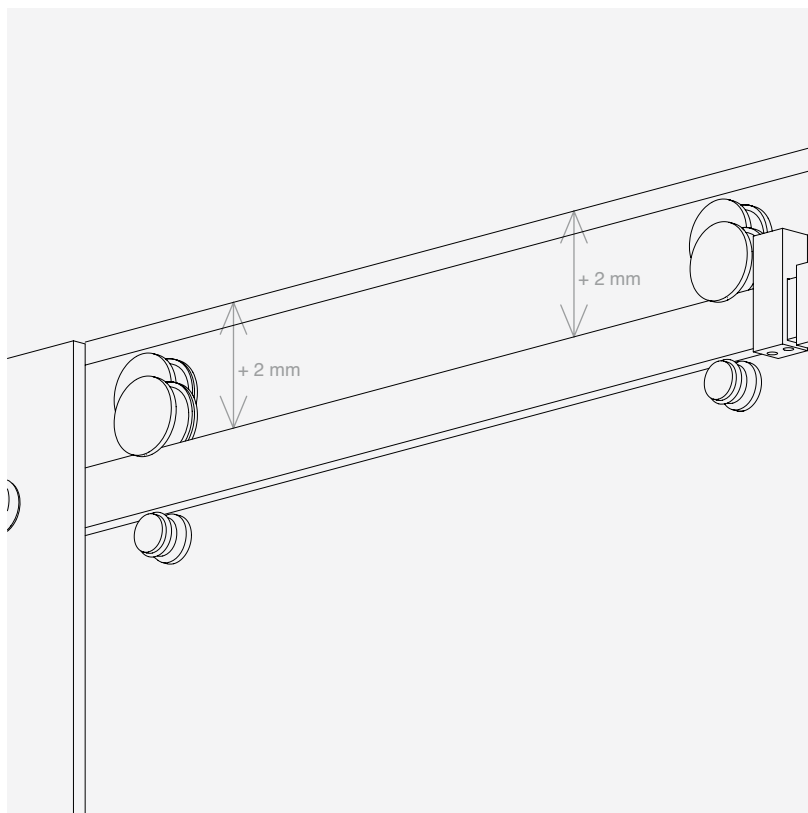
Kits
With sealed fixed panes

Elegance and perfect transparency. With this solution, fixed panes are sealed to the support surfaces. A space-saving water barrier profile in aluminium, 5 mm high, can be installed at the opening.



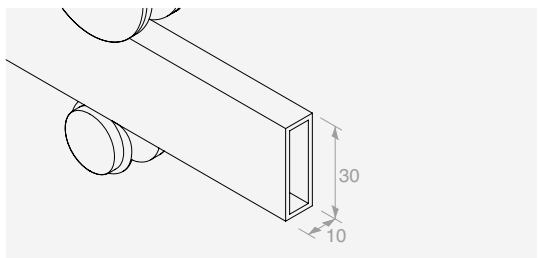
VISIBLE MECHANISMS

The sliding wheels and external anti-derailment devices highlight the functional parts



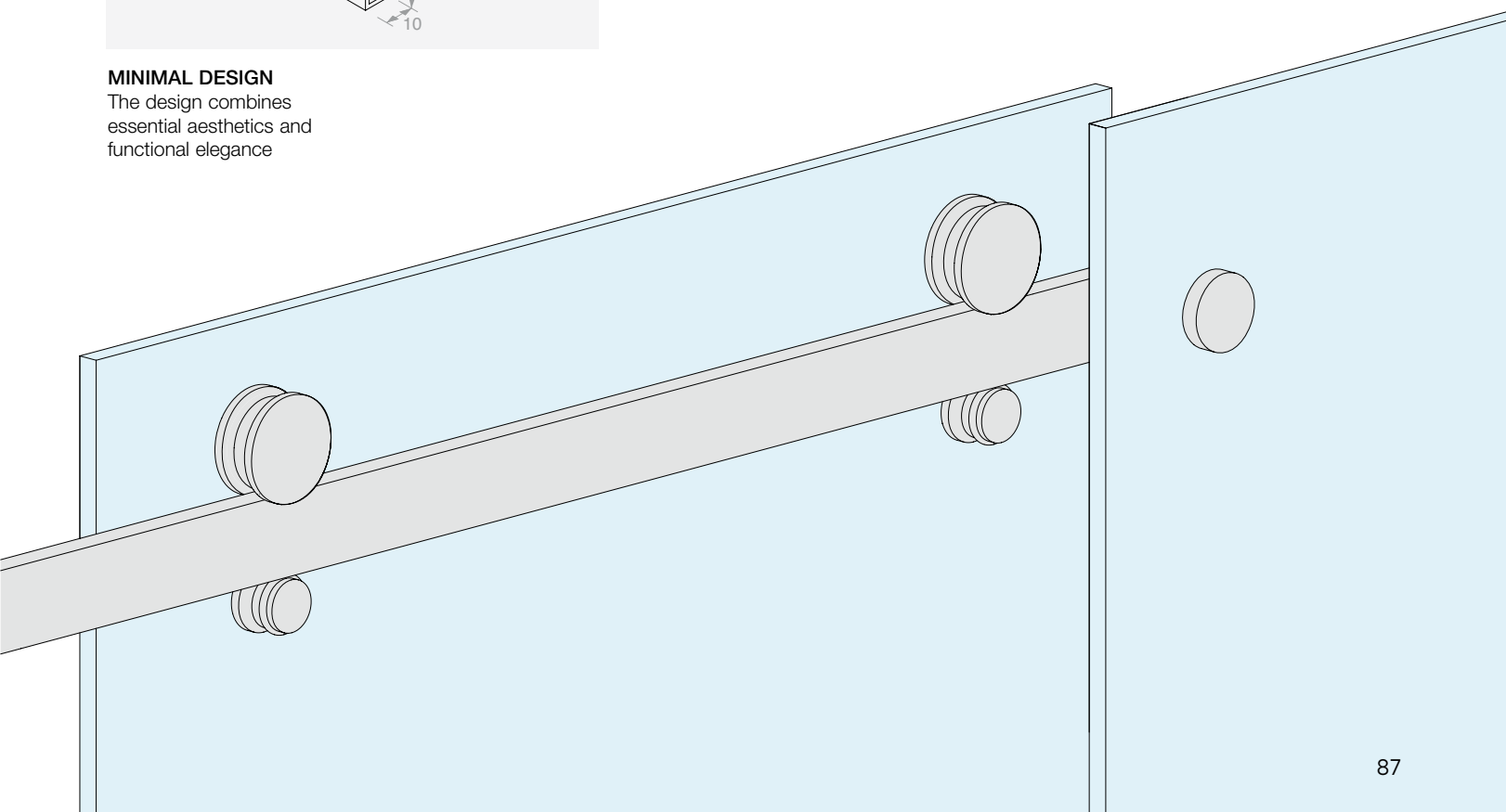
ADJUSTMENT

The height adjustment of the individual carrier allows the position and inclination of the door to be recorded



MINIMAL DESIGN

The design combines essential aesthetics and functional elegance



GOCCIA 35

GOCCIA 50

GLMFLAT

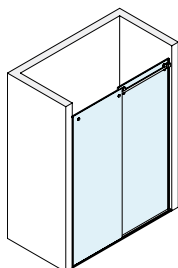


GLMFLAT

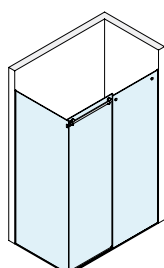
Kit



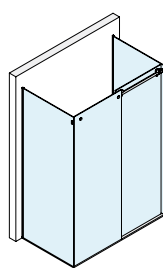
CONFIGURATIONS WITH FRAMED FIXED PANES



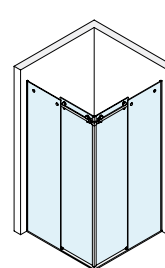
Page 91



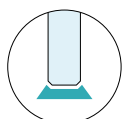
Page 92



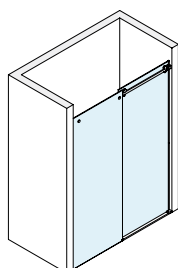
Page 93



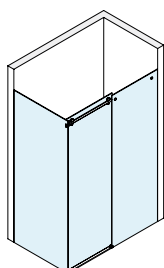
Page 95



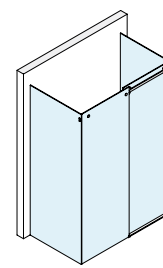
CONFIGURATIONS WITH SEALED FIXED PANES



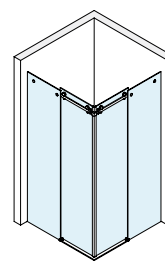
Page 97



Page 98



Page 99



Page 100

GOCCIA 35

GOCCIA 50

GLMFLAT

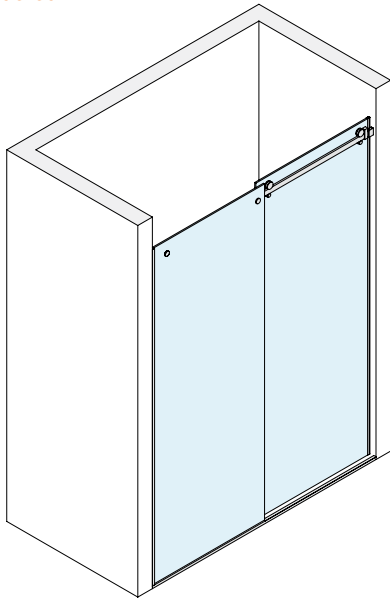




WALL/WALL SLIDING DOOR SHOWER KIT WITH FRAME PROFILE FOR FIXED PANE

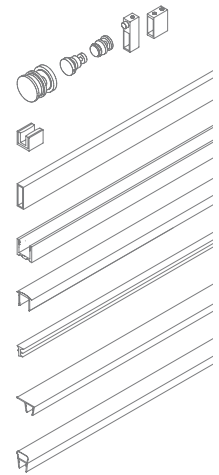
Finish: /8 /15

Handle to be ordered separately

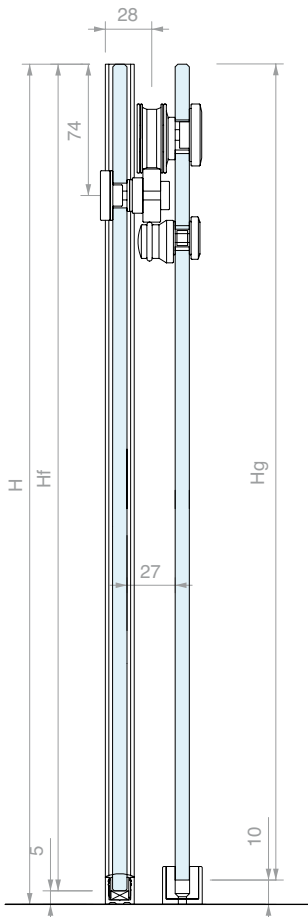


Kit comprising:

Art.	Description	Qty
GLMFLATMUR	Wall/wall accessories kit	1 Pc
GLMSPA08	Floor guide	1 Pc
GLMFT2000	Track	1 Pc
PBD3183.220	U-shaped profile	2 Pcs
PBD3184.150	Rounded upper profile	1 Pc
GTUP4	Glass holder gasket	3 m
GM01422	Gasket with side lip	1 Pc
GM0622	Balloon gasket	1 Pc
Optional		
GLMSFORO	Cutting and drilling	1 Pc



RECOMMENDED LAYOUTS



GLASS PANE DIMENSIONS

$L_g = (LV + 19) / 2$

$L_f = L_g$

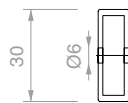
$H_g = H - 10$

$H_f = H - 5$

$LA = (LV - 112) / 2$

PRIMARY LENGTHS (mm)

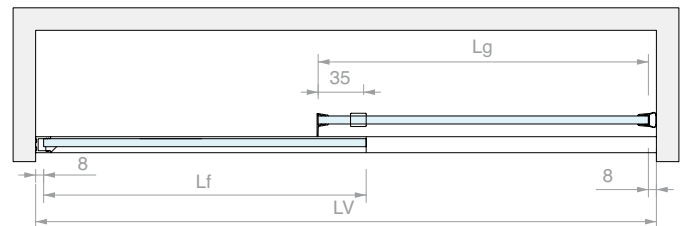
LV	Lg	Lf	LA
1500	760	760	694
1400	710	710	644
1300	660	660	594
1200	610	610	544



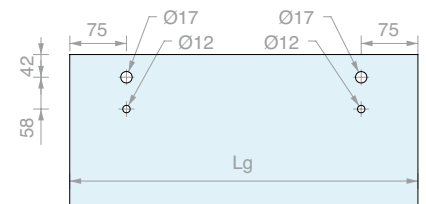
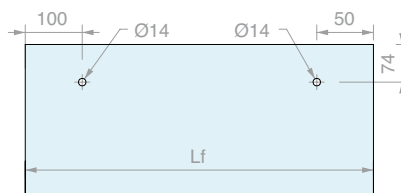
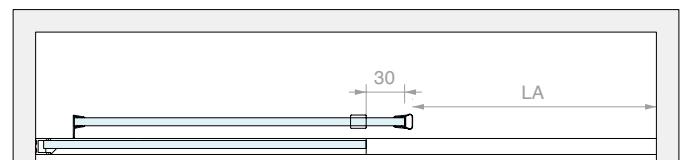
TRACK PROCESSING



CLOSED SLIDING DOOR CONFIGURATION



OPEN SLIDING DOOR CONFIGURATION



Art.
GLMFLAT030

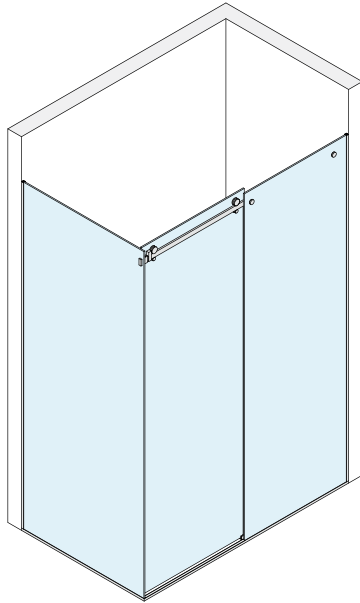
Qty
1 Pc



WALL/GLASS SLIDING DOOR SHOWER KIT WITH FRAME PROFILE FOR FIXED PANES

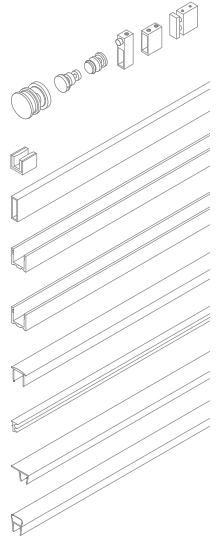
Finish: /8 /15

Handle to be ordered separately

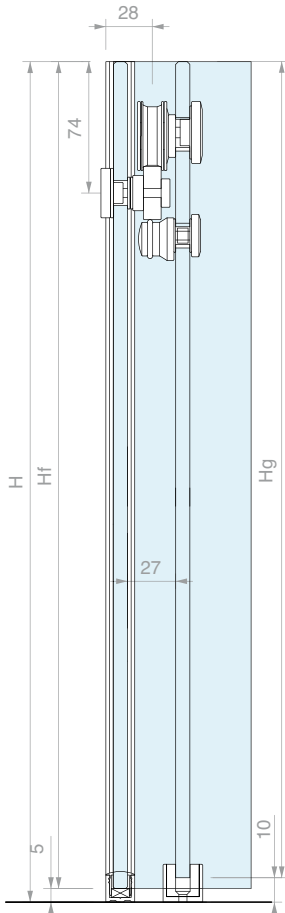


Kit comprising:

Art.	Description	Qty
GLMFLATVET	Wall/glass accessories kit	1 Pc
GLMSPA08	Floor guide	1 Pc
GLMFT2000	Track	1 Pc
PBD3183.220	U-shaped profile	3 Pcs
PBD3183.150	U-shaped profile	1 Pc
PBD3184.150	Rounded upper profile	1 Pc
GTUP4	Glass holder gasket	9 m
GM01422	Gasket with side lip	1 Pc
GM0622	Balloon gasket	1 Pc
Optional		
GLMSFORO	Cutting and drilling	1 Pc



RECOMMENDED LAYOUTS



GLASS PANE DIMENSIONS

$$L_g = (L_v + 19) / 2$$

$$L_f = L_g$$

$$H_g = H - 10$$

$$H_f = H - 5$$

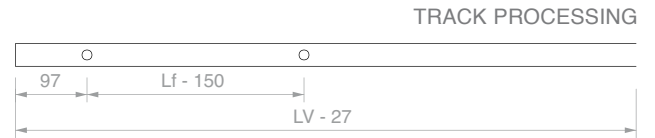
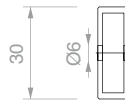
$$L_l = P - 14$$

$$H_l = H - 5$$

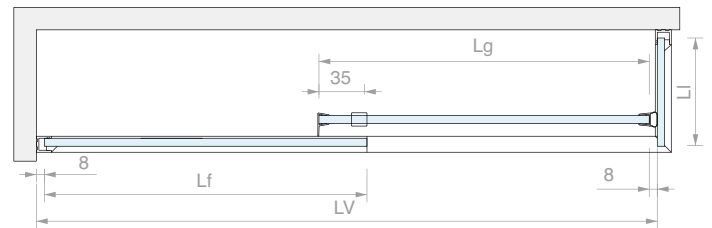
$$L_A = (L_v - 126) / 2$$

PRIMARY LENGTHS (mm)

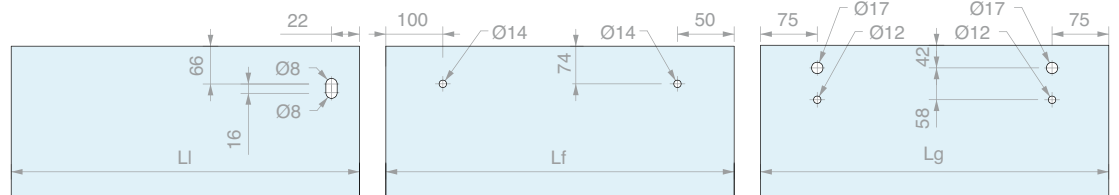
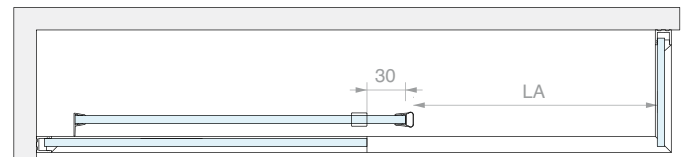
Lv	Lg	Lf	La
1500	753	703	687
1400	703	703	637
1300	653	653	587
1200	603	603	537



CLOSED SLIDING DOOR CONFIGURATION



OPEN SLIDING DOOR CONFIGURATION



Art. **GLMFLAT034**

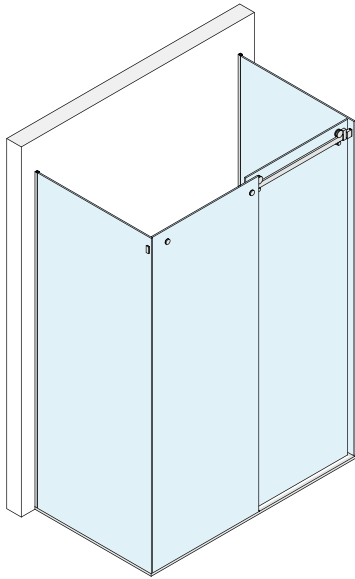
Qty **1 Pc**



GLASS/GLASS SLIDING DOOR SHOWER KIT WITH FRAME PROFILE FOR FIXED PANES

Finish: /8 /15

Handle to be ordered separately

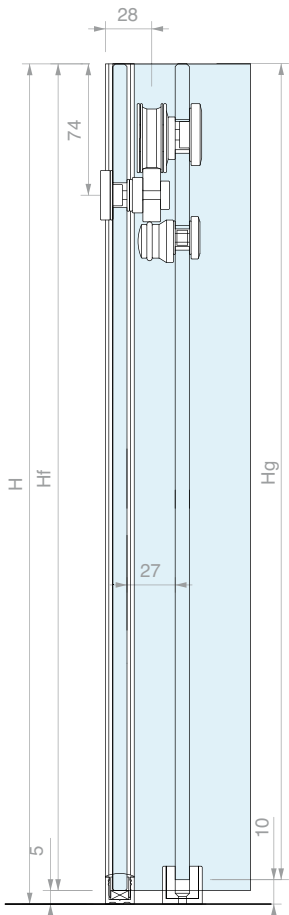


Kit comprising:

Art.	Description	Qty	
GLMFT12	Sliding wheel	2 Pcs	
GLMFT14	Eccentric anti-derailment wheel	2 Pcs	
GLMFT16	Fixing for fixed glass	2 Pcs	
GLMFT37	Glass fixing	2 Pcs	
DCCFT20	End stop	2 Pcs	
GLMSPA08	Floor guide	1 Pc	
GLMFT2000	Track	1 Pc	
PBD3183.220	U-shaped profile	4 Pcs	
PBD3184.150	Rounded upper profile	1 Pc	
GTUP4	Glass holder gasket	9 m	
GM01422	Gasket with side lip	1 Pc	
GM0622	Balloon gasket	1 Pc	
Optional			
GLMSFORO	Cutting and drilling	1 Pc	



RECOMMENDED LAYOUTS



GLASS PANE DIMENSIONS

$L_g = LV / 2$
 $L_f = L_g$

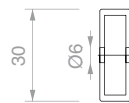
$H_g = H - 10$
 $H_f = H - 5$

$L_i = P - 14$
 $H_i = H - 5$

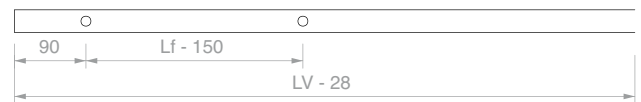
$LA = (LV - 140) / 2$

PRIMARY LENGTHS (mm)

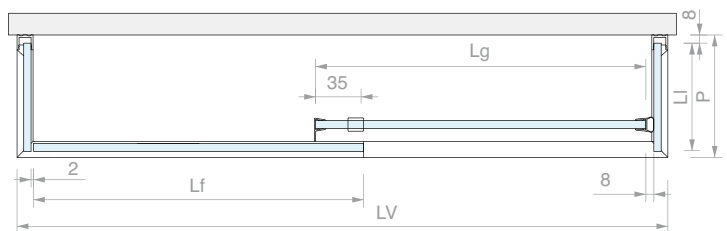
LV	Lg	Lf	LA
1500	750	750	680
1400	700	700	630
1300	650	650	580
1200	600	600	530



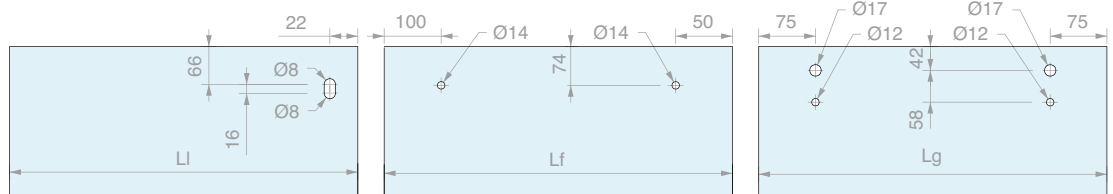
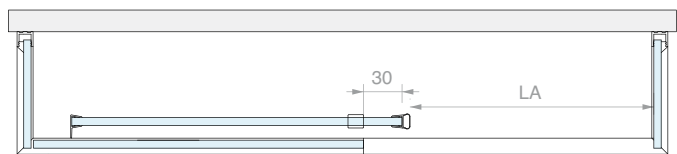
TRACK PROCESSING



CLOSED SLIDING DOOR CONFIGURATION



OPEN SLIDING DOOR CONFIGURATION



Art.
GLMFLAT042

Qty
1 Pc

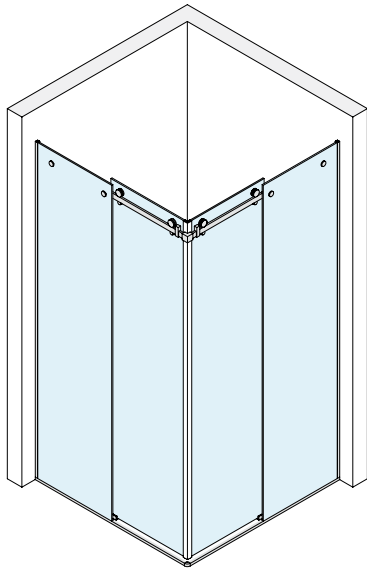




WALL/CORNER/WALL SLIDING DOOR SHOWER KIT WITH FRAME PROFILE FOR FIXED PANES

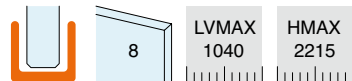
Finish: /8 /15

Handle to be ordered separately

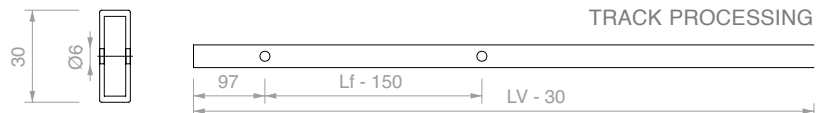
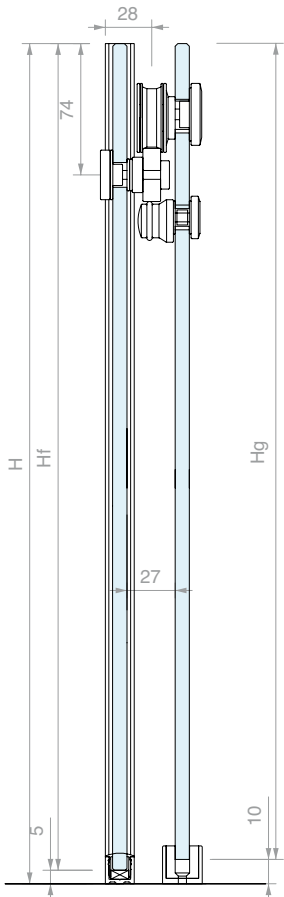


Kit comprising:

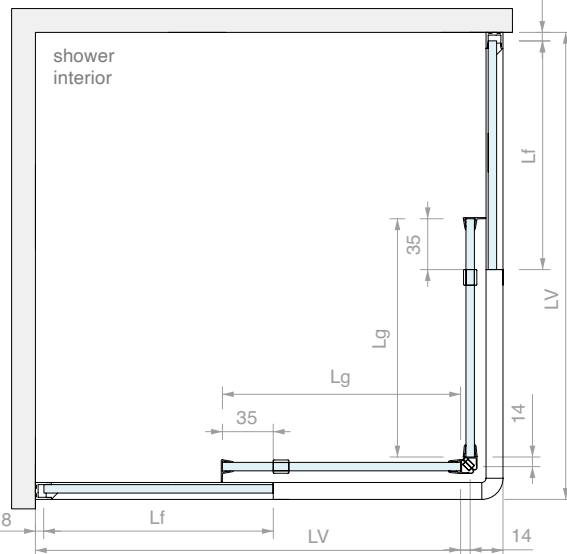
Art.	Description	Qty	
GLMFT12	Wall/glass accessories kit	4 Pcs	
GLMFT14	Eccentric anti-derailment wheel	4 Pcs	
GLMFT16	Fixing for fixed glass	4 Pcs	
GLMFT18	Wall fixing	2 Pcs	
GLMFT90	Corner fixing	1 Pc	
DCCFT20	End stop	4 Pcs	
GLMSPA08	Floor guide	2 Pcs	
DCC90	Corner junction	1 Pc	
GLMFT1000	Track	2 Pcs	
PBD3183.220	U-shaped profile	2 Pcs	
PBD3183.150	U-shaped profile	2 Pcs	
PBD3184.150	Rounded upper profile	1 Pc	
GTUP4	Glass holder gasket	9 m	
GM01422	Gasket with side lip	2 Pcs	
GM62SX	45° magnetic gasket	1 Pc	
GM62DX	45° magnetic gasket	1 Pc	



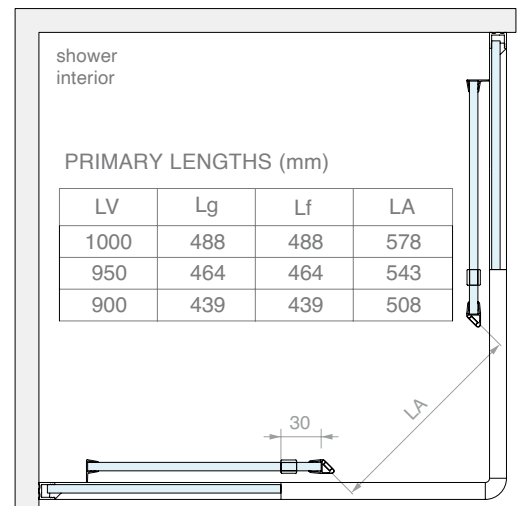
RECOMMENDED LAYOUTS



CLOSED SLIDING DOOR CONFIGURATION



OPEN SLIDING DOOR CONFIGURATION

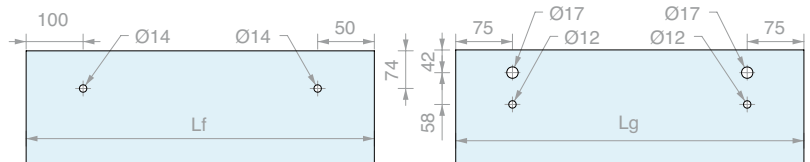


PRIMARY LENGTHS (mm)

LV	Lg	Lf	LA
1000	488	488	578
950	464	464	543
900	439	439	508

GLASS PANE DIMENSIONS

$Lg = (LV - 23) / 2$
 $Lf = Lg$
 $Hg = H - 10$
 $Hf = H - 6$
 $LA = 0.7 \times (LV - 174)$



Art. **GLMFLAT038**

Qty
1 Pc

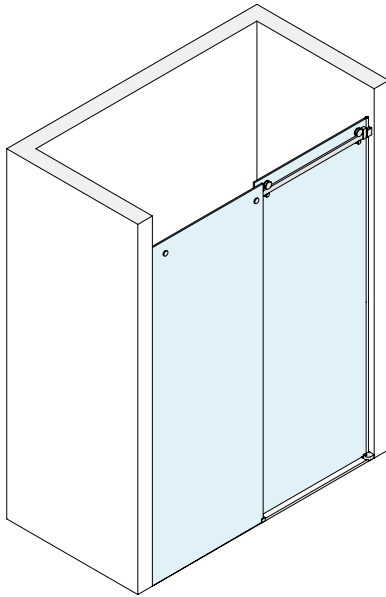




WALL/WALL SLIDING DOOR SHOWER KIT FOR SEALED FIXED PANE

Finish: /8 /15

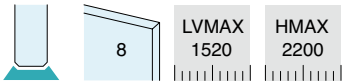
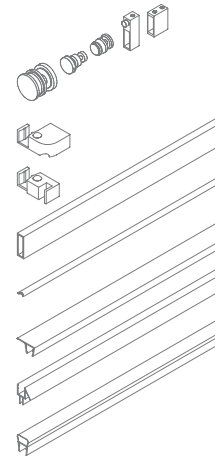
Handle to be ordered separately



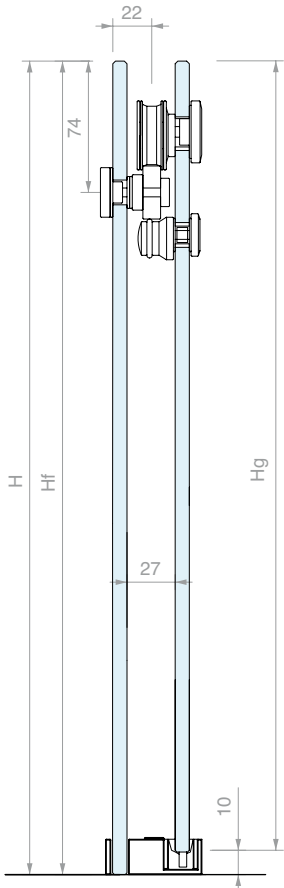
TOWARDS RIGHT

Kit comprising:

Art.	Description	Qty
GLMFLATMUR	Wall/wall accessories kit	1 Pc
BDFIX-DX/SX	Floor guide	1 Pc
BDFIX2-DX/SX	Floor guide	1 Pc
GLMFT2000	Track	1 Pc
BDFIX10	Water barrier profile	1 Pc
GM01422	Gasket with side lip	1 Pc
GM5610	Gasket with drip flap	1 Pc
GM0622	Balloon gasket	1 Pc
Optional		
GLMSFORO	Cutting and drilling	1 Pc



RECOMMENDED LAYOUTS

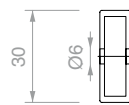


GLASS PANE DIMENSIONS

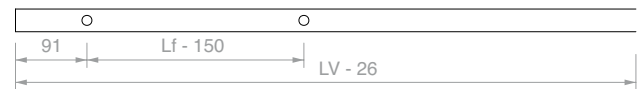
$L_g = (LV + 25) / 2$
 $L_f = L_g$
 $H_g = H - 10$
 $H_f = H - 1$
 $LA = (LV - 106) / 2$

PRIMARY LENGTHS (mm)

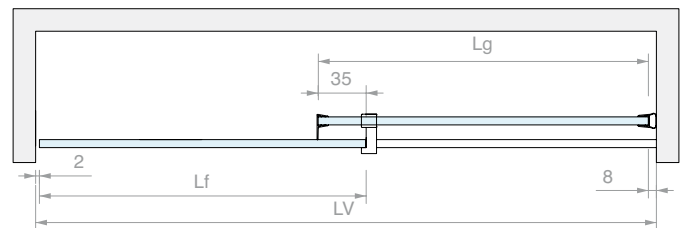
LV	Lg	Lf	LA
1500	763	763	697
1400	713	713	647
1300	663	663	597
1200	613	613	547



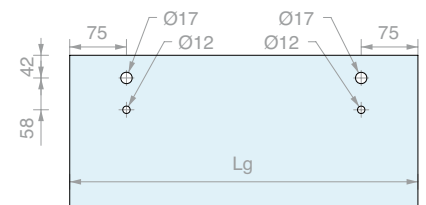
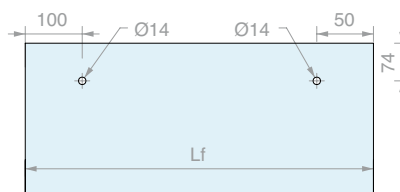
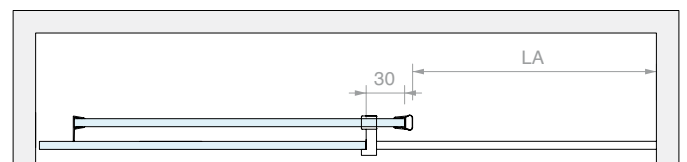
TRACK PROCESSING



CLOSED SLIDING DOOR CONFIGURATION



OPEN SLIDING DOOR CONFIGURATION



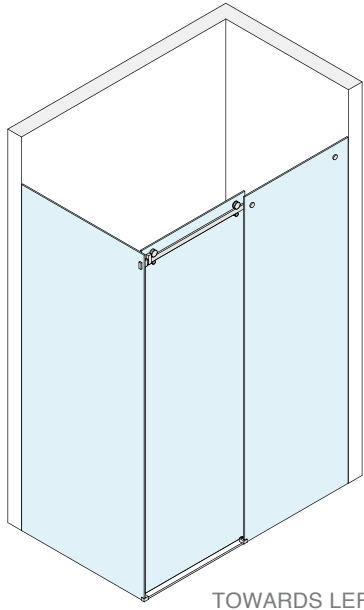
Art.	Description	Qty
GLMFLAT028SX	Towards left	1 Pc
GLMFLAT028DX	Towards right	1 Pc



WALL/GLASS SLIDING DOOR SHOWER KIT FOR SEALED FIXED PANES

Finish: /8 /15

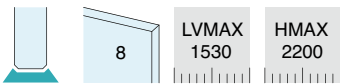
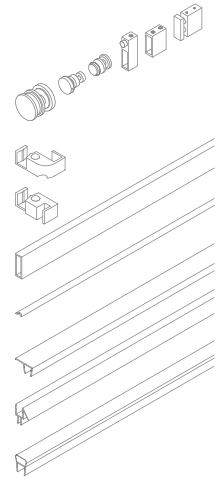
Handle to be ordered separately



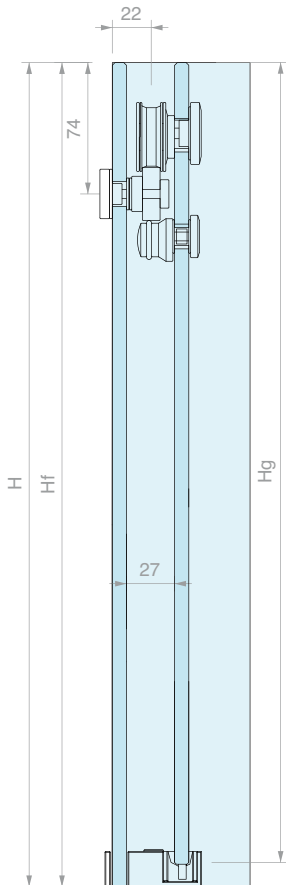
TOWARDS LEFT

Kit comprising:

Art.	Description	Qty
GLMFLATVET	Wall/glass accessories kit	1 Pc
BDFIX5-DX/SX	Floor guide	1 Pc
BDFIX2-DX/SX	Floor guide	1 Pc
GLMFT2000	Track	1 Pc
BDFIX10	Water barrier profile	1 Pc
GM01422	Gasket with side lip	1 Pc
GM5610	Gasket with drip flap	1 Pc
GM0622	Balloon gasket	1 Pc
Optional		
GLMSFORO	Cutting and drilling	1 Pc



RECOMMENDED LAYOUTS



GLASS PANE DIMENSIONS

$$L_g = (L_v + 17) / 2$$

$$L_f = L_g$$

$$H_g = H - 10$$

$$H_f = H - 1$$

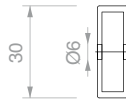
$$L_l = P - 2$$

$$H_l = H - 1$$

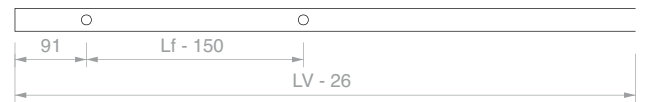
$$L_A = (L_v - 114) / 2$$

PRIMARY LENGTHS (mm)

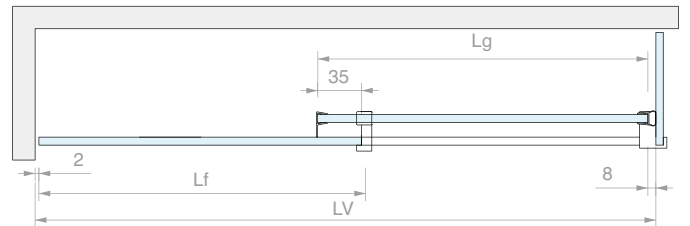
Lv	Lg	Lf	LA
1500	759	759	697
1400	709	709	647
1300	659	659	597
1200	609	609	547



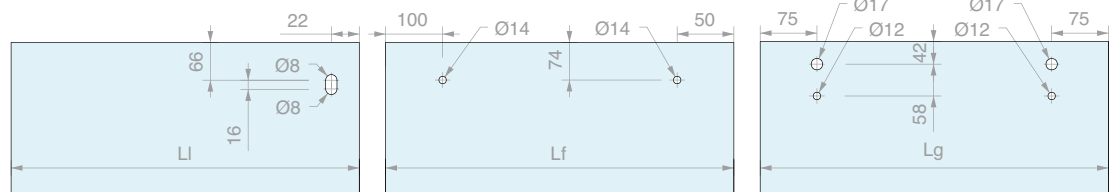
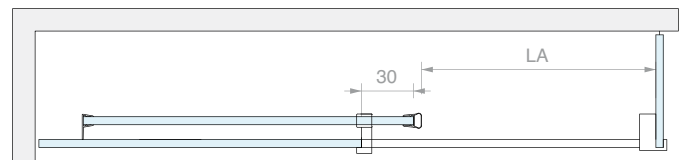
TRACK PROCESSING



CLOSED SLIDING DOOR CONFIGURATION



OPEN SLIDING DOOR CONFIGURATION



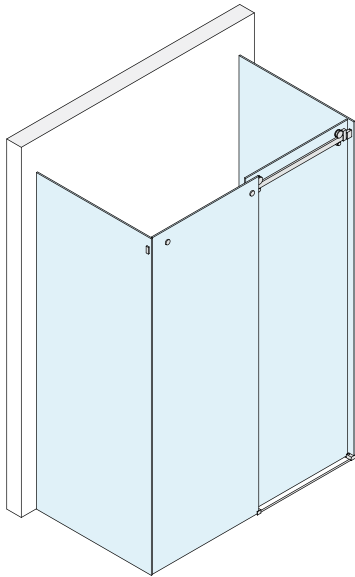
Art.	Description	Qty
GLMFLAT032SX	Towards left	1 Pc
GLMFLAT032DX	Towards right	1 Pc



GLASS/GLASS SLIDING DOOR SHOWER KIT FOR SEALED FIXED PANES

Finish: /8 /15

Handle to be ordered separately



TOWARDS RIGHT

Kit comprising:

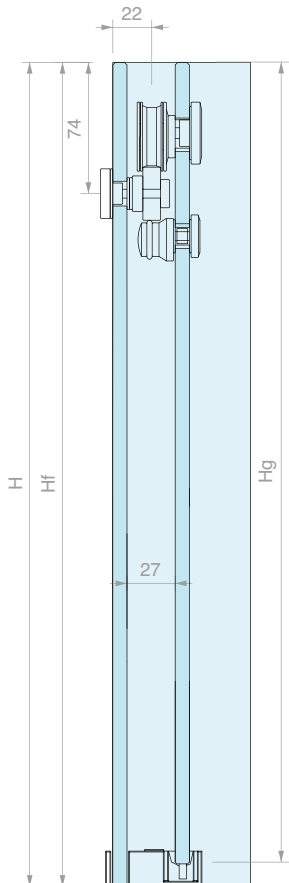
Art.	Description	Qty	
GLMFT12	Sliding wheel	2 Pcs	
GLMFT14	Eccentric anti-derailment wheel	2 Pcs	
GLMFT16	Fixing for fixed glass	2 Pcs	
GLMFT37	Glass fixing	2 Pcs	
DCCFT20	End stop	2 Pcs	
BDFIX5-DX/SX	Floor guide	1 Pc	
BDFIX2-DX/SX	Floor guide	1 Pc	
GLMFT2000	Track	1 Pc	
BDFIX10	Water barrier profile	1 Pc	
GM01422	Gasket with side lip	1 Pc	
GM5610	Gasket with drip flap	1 Pc	
GM0622	Balloon gasket	1 Pc	

Optional

GLMSFORO	Cutting and drilling	1 Pc	
-----------------	----------------------	------	--



RECOMMENDED LAYOUTS



GLASS PANE DIMENSIONS

$L_g = (LV + 7) / 2$
 $L_f = L_g$

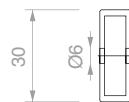
$H_g = H - 10$
 $H_f = H - 1$

$L_l = P - 2$
 $H_l = H - 1$

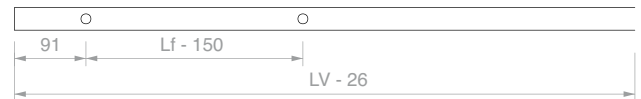
$LA = (LV - 122) / 2$

PRIMARY LENGTHS (mm)

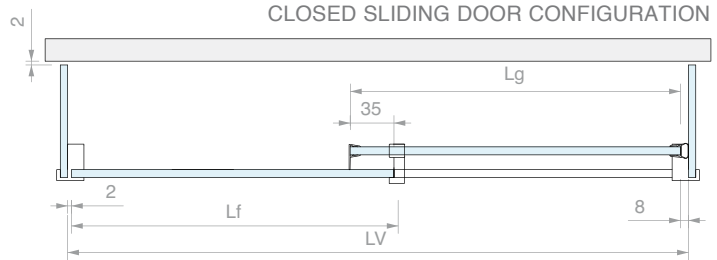
LV	Lg	Lf	LA
1500	753	753	689
1400	704	704	643
1300	654	654	589
1200	604	604	543



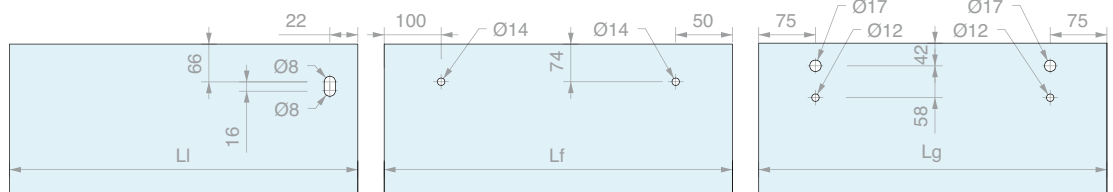
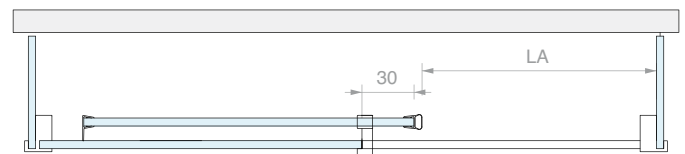
TRACK PROCESSING



CLOSED SLIDING DOOR CONFIGURATION



OPEN SLIDING DOOR CONFIGURATION



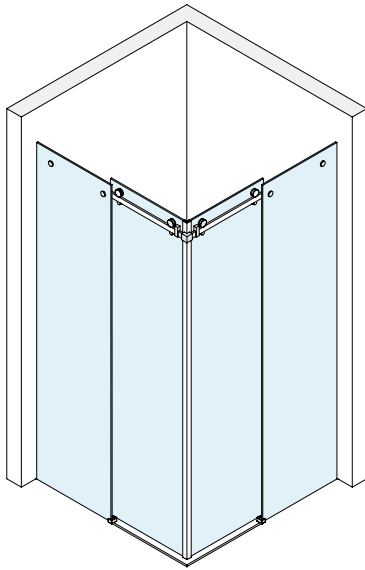
Art.	Description	Qty
GLMFLAT040SX	Towards left	1 Pc
GLMFLAT040DX	Towards right	1 Pc



WALL/CORNER/WALL SLIDING DOOR SHOWER KIT FOR SEALED FIXED PANES

Finish: /8 /15

Handle to be ordered separately

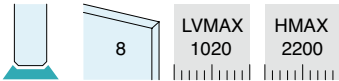


Kit comprising:

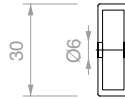
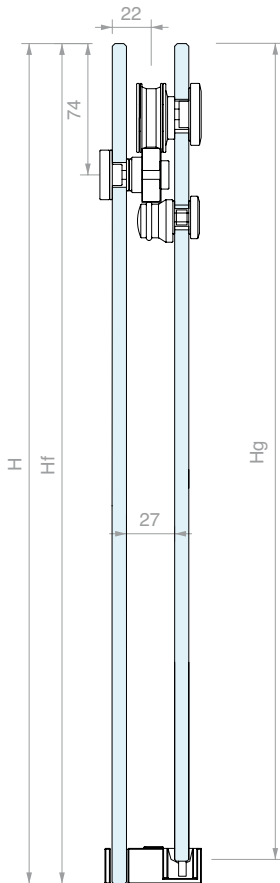
Art.	Description	Qty	
GLMFT12	Sliding wheel	4 Pcs	
GLMFT14	Eccentric anti-derailment wheel	4 Pcs	
GLMFT16	Fixing for fixed glass	4 Pcs	
GLMFT18	Wall fixing	2 Pcs	
GLMFT90	Corner fixing	1 Pc	
DCCFT20	End stop	4 Pcs	
BDFIX2-SX	Floor guide, left	1 Pc	
BDFIX2-DX	Floor guide, right	1 Pc	
GLMFT1000	Track	2 Pcs	
BDFIX8	Water barrier profile	1 Pc	
GM5610	Gasket with drip flap	1 Pc	
GM01422	Gasket with side lip	2 Pcs	
GM62SX	45° magnetic gasket	1 Pc	
GM62DX	45° magnetic gasket	1 Pc	

Optional

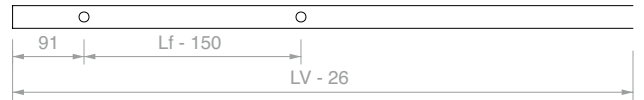
GLMSFORO	Cutting and drilling	1 Pc
-----------------	----------------------	------



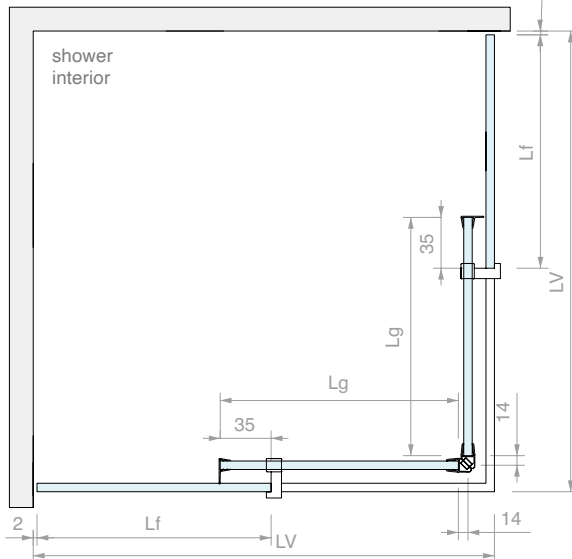
RECOMMENDED LAYOUTS



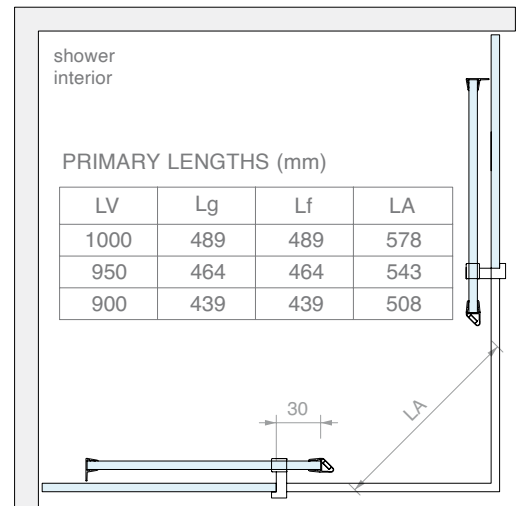
TRACK PROCESSING



CLOSED SLIDING DOOR CONFIGURATION



OPEN SLIDING DOOR CONFIGURATION

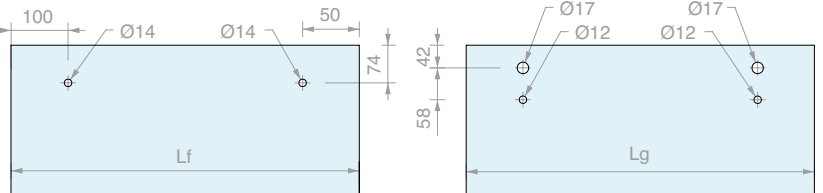


PRIMARY LENGTHS (mm)

LV	Lg	Lf	LA
1000	489	489	578
950	464	464	543
900	439	439	508

GLASS PANE DIMENSIONS

$Lg = (LV - 22) / 2$
 $Lf = Lg$
 $Hg = H - 10$
 $Hf = H - 1$
 $LA = 0.7 \times (LV - 122)$



Art. **GLMFLAT036**

Qty 1 Pc



WALL/WALL ACCESSORIES KIT

composed of:
 2 sliding wheels
 2 eccentric anti-derailment pins
 2 fixings for fixed panes
 2 wall fixings
 2 end stops
 Finish: /8 /15

Art.	For glass	Qty
GLMFLATMUR	8 mm	1 Pc



WALL/GLASS ACCESSORIES KIT

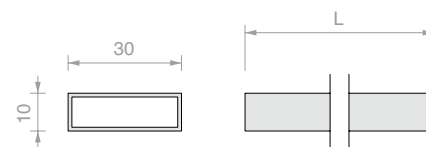
composed of:
 2 sliding wheels
 2 eccentric anti-derailment pins
 2 fixings for fixed panes
 1 wall fixing
 1 glass fixing
 2 end stops
 Finish: /8 /15

Art.	For glass	Qty
GLMFLATVET	8 mm	1 Pc



TRACK

Material: AISI 304 steel
 Finish: /8 /15

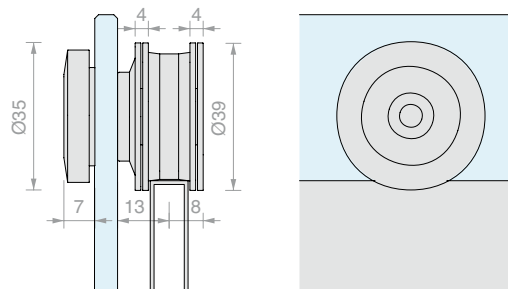


Art.	Length	Qty
GLMFT1000	1000 mm	1 Pc
GLMFT2000	2000 mm	1 Pc
GLMFT3000	3000 mm	1 Pc
GLMSFORO	Track cutting and drilling of 2 holes	1 Pc



SLIDING WHEEL

Material: AISI 304 steel
 Finish: /8 /15
 Recommended glass hole size Ø17 mm



Art.	For glass	Qty
GLMFT12	8 mm	1 Pc



GOCCIA 35

GOCCIA 50

GLMFLAT

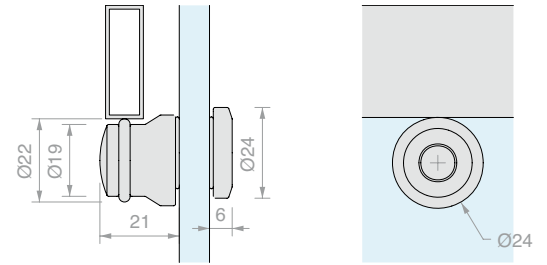


ECCENTRIC ANTI-DERAILMENT PIN

Material: AISI 304 steel

Finish: /8 /15

Recommended glass hole size Ø12 mm



Art.	For glass	Qty
GLMFT14	8 mm	1 Pc



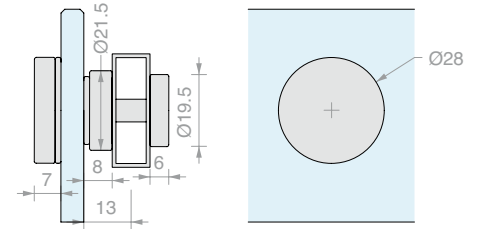
FIXING FOR FIXED GLASS

Material: AISI 304 steel

Finish: /8 /15

Recommended glass hole size Ø14 mm

Recommended track hole size Ø6 mm



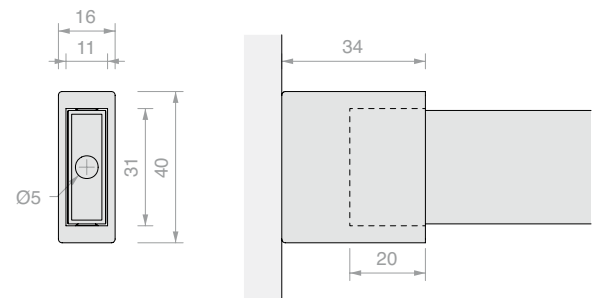
Art.	For glass	Qty
GLMFT16	8 mm	1 Pc



WALL FIXING

Material: AISI 304 steel

Finish: /8 /15



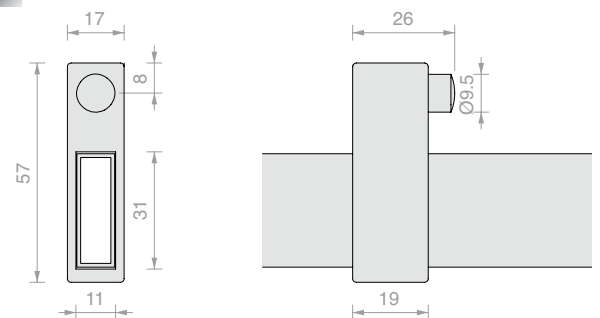
Art.	Qty
GLMFT18	1 Pc



END STOP WITH RUBBER BUMPER

Material: AISI 304 steel

Finish: /8 /15



Art.	Qty
DCCFT20	1 Pc

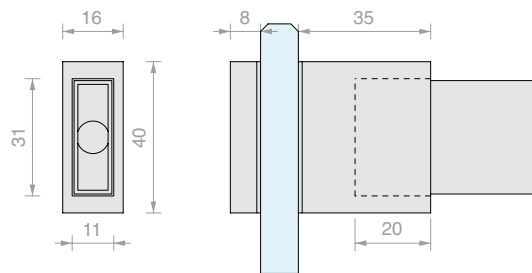


GLASS FIXING

Material: AISI 304 steel

Finish: /8 /15

Recommended glass hole size Ø8 mm



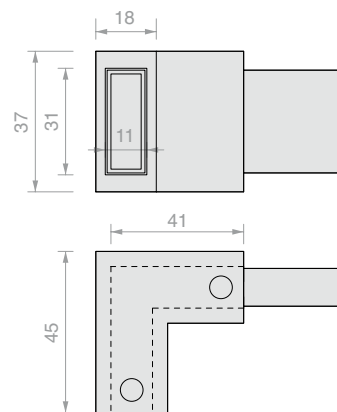
Art.	For glass	Qty
GLMFT37	From 8 to 10 mm	1 Pc



CORNER JUNCTION

Material: AISI 304 steel

Finish: /8 /15



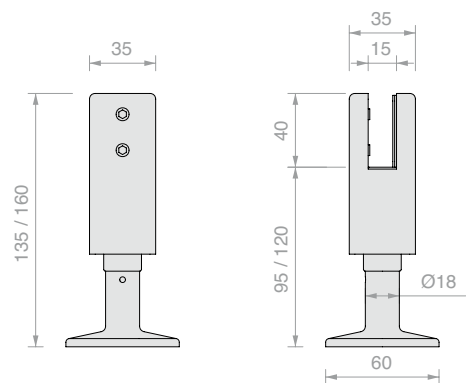
Art.	Qty
GLMFT90	1 Pc



ADJUSTABLE FOOT SQUARE

Material: AISI 304 steel

Finish: /8



Art.	For glass	Qty
PQ95	From 8 to 12 mm	1 Pc



GOCCIA 35

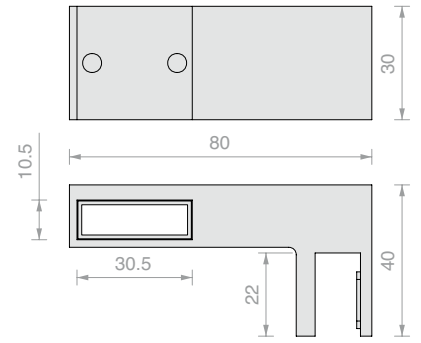
GOCCIA 50

GLMFLAT



DISTANCED GLASS-THROUGH FIXING

Material: AISI 304 steel
Finish: /8 /15

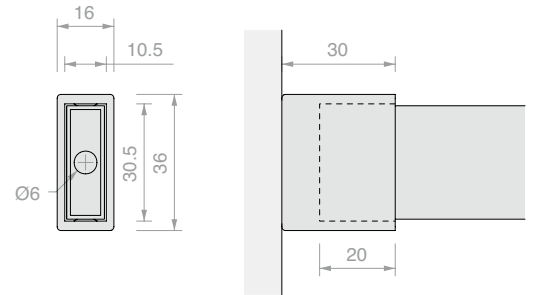


Art.	For glass	Qty
GLMFT40	From 8 to 10 mm	1 Pc



WALL FIXING

Material: AISI 304 steel
Finish: /8 /15

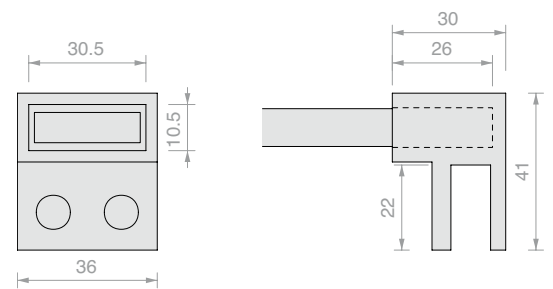


Art.	Qty
GLMFT30	1 Pc



CLOSED GLASS FIXING

Material: AISI 304 steel
Finish: /8 /15

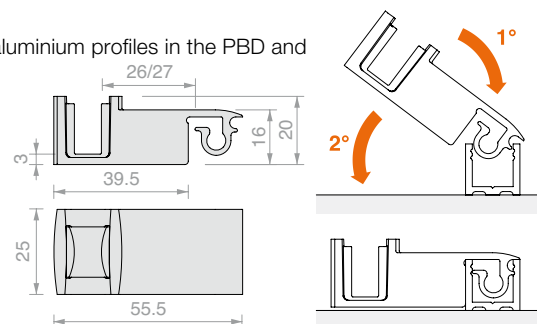


Art.	For glass	Qty
GLMFT50	From 8 to 10 mm	1 Pc



SNAP-ON FLOOR GUIDE FOR GLASS WITH PROFILE

Material: Zamak
Compatible with aluminium profiles in the PBD and LMU series
Finish: /1 /24*
* Not available for Art. DCC10



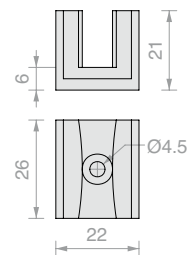
Art.	For glass	Qty
DCC08	8 mm	1 Pc
DCC10	10 mm	1 Pc



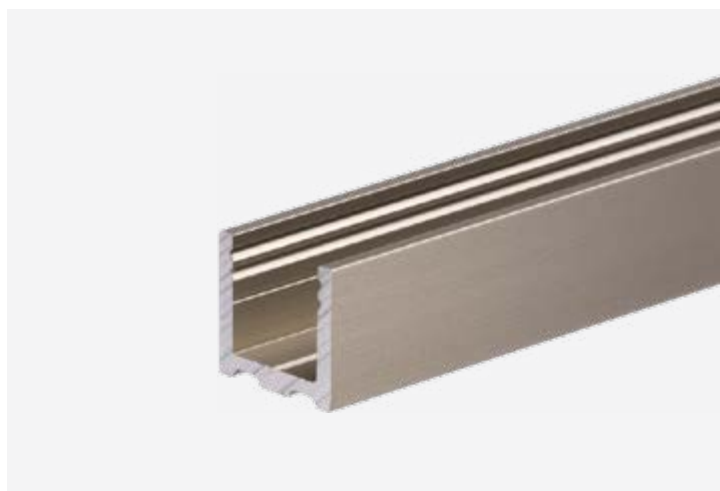
FLOOR GUIDE

Material: AISI 304 steel

Finish: /8 /15



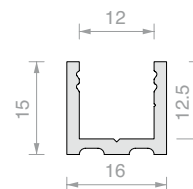
Art.	For glass	Qty
GLMSPA08	8 mm	1 Pc
GLMSPA10	10 mm	1 Pc



U-SHAPED PROFILE

Material: Aluminium

Finish: /6 /88 /91 /97



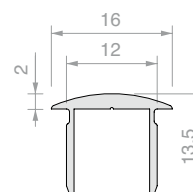
Art.	Length	Qty
PBD3183.150	1498 mm	1 Pc
PBD3183.220	2200 mm	1 Pc
PBD3183	3000 mm	1 Pc



ROUNDED UPPER PROFILE PBD3184

Material: Aluminium

Finish: /6 /88 /91 /97



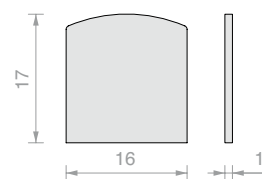
Art.	Length	Qty
PBD3184.100	992 mm	1 Pc
PBD3184.150	1498 mm	1 Pc
PBD3184	3000 mm	1 Pc



ROUNDED CAP PBD

Material: Aluminium

Finish: /6 /88 /91 /97



Art.	Qty
PBDTP	1 Pc



GOCCIA 35

GOCCIA 50

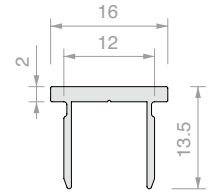
GLMFLAT



FLAT UPPER PROFILE PBD3186

Material: Aluminium

Finish: /6 /88 /91 /97



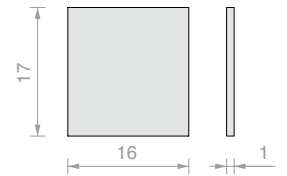
Art.	Length	Qty
PBD3186.100	992 mm	1 Pc
PBD3186.150	1498 mm	1 Pc
PBD3186	3000 mm	1 Pc



PBD FLAT CAP

Material: Aluminium

Finish: /6 /88 /91 /97



Art.	Qty
PBD86TP	1 Pc



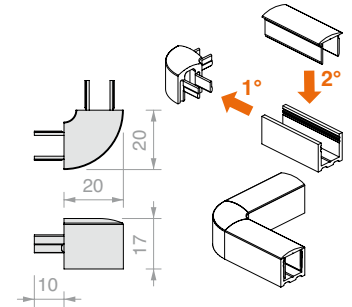
CORNER JOINT FOR PROFILE

Material: Zamak

Compatible with aluminium profiles in the PBD and LMU series

For PBD3184 upper profile

Finish: /1 /6 /24 /97



Art.	Qty
DCC90	1 Pc



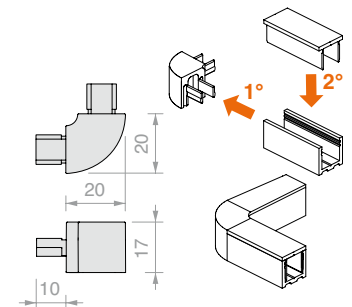
FLAT CORNER JOINT FOR PROFILE

Material: Zamak

Compatible with aluminium profiles in the PBD and LMU series

For PBD3186 upper profile

Finish: /1 /6 /24 /97



Art.	Qty
DCC90SQ	1 Pc



GLASS HOLDER GASKET

Material: PVC

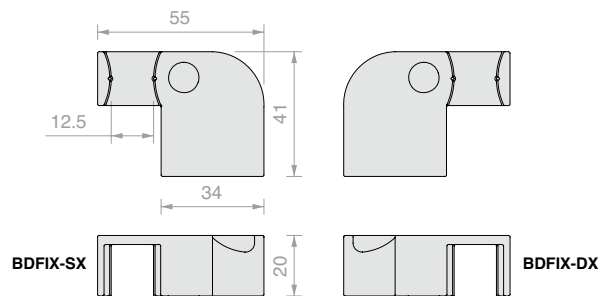
Art.	Thickness	Colour	Qty	Art.	Thickness	Colour	Qty	Art.	Thickness	Colour	Qty
GTUP2	2 mm	Transparent	1 m	GTUP2G	2 mm	Embossed	1 m	GTUP2N	2 mm	Black	1 m
GTUP3	3 mm	Transparent	1 m	GTUP3G	3 mm	Embossed	1 m	GTUP3N	3 mm	Black	1 m
GTUP4	4 mm	Transparent	1 m	GTUP4G	4 mm	Embossed	1 m	GTUP4N	4 mm	Black	1 m
GTUP5	5 mm	Transparent	1 m	GTUP5G	5 mm	Embossed	1 m	GTUP5N	5 mm	Black	1 m
GTUP6	6 mm	Transparent	1 m	GTUP6G	6 mm	Embossed	1 m	GTUP6N	6 mm	Black	1 m



FLOOR GUIDE, WALL SIDE

Material: AISI 304 steel

Finish: /8 /15



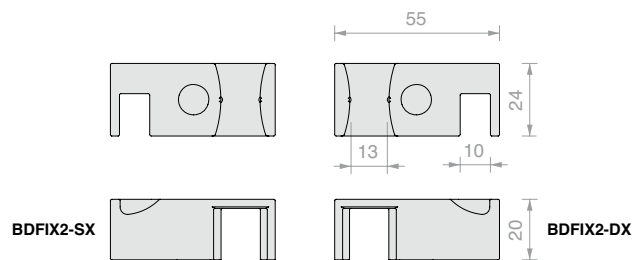
Art.	Description	Qty
BDFIX-SX	Left	1 Pc
BDFIX-DX	Right	1 Pc



FLOOR GUIDE, FIXED GLASS SIDE

Material: AISI 304 steel

Finish: /8 /15



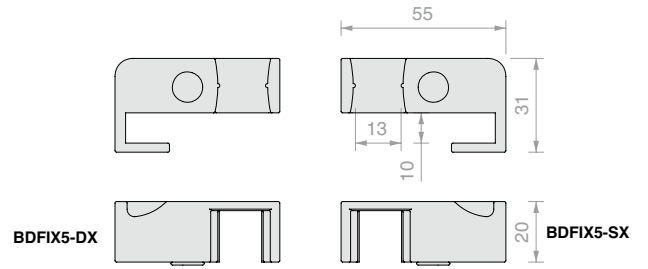
Art.	Description	Qty
BDFIX2-SX	Left	1 Pc
BDFIX2-DX	Right	1 Pc



FLOOR GUIDE, EDGE SIDE GLASS

Material: AISI 304 steel

Finish: /8 /15



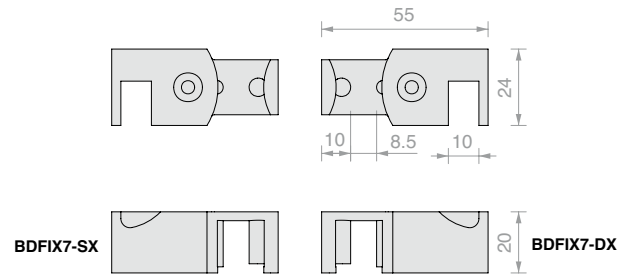
Art.	Description	Qty
BDFIX5-SX	Left	1 Pc
BDFIX5-DX	Right	1 Pc



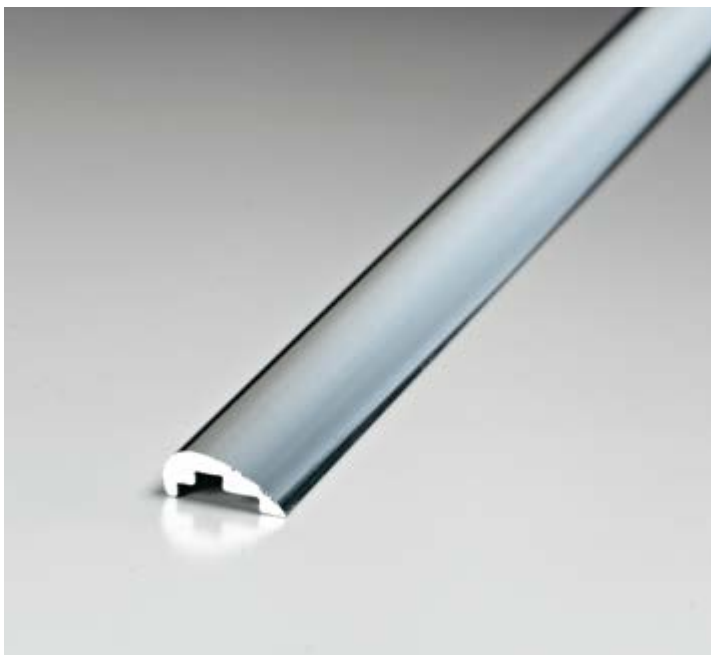
FLOOR GUIDE, FIXED GLASS SIDE

Material: AISI 304 steel

Finish: /8 /15



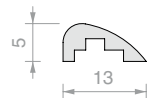
Art.	Description	For glass	Qty
BDFIX7-SX	Left	8 mm	1 Pc
BDFIX7-DX	Right	8 mm	1 Pc



BDFIX WATER BARRIER PROFILE

Material: Aluminium

Finish: /91

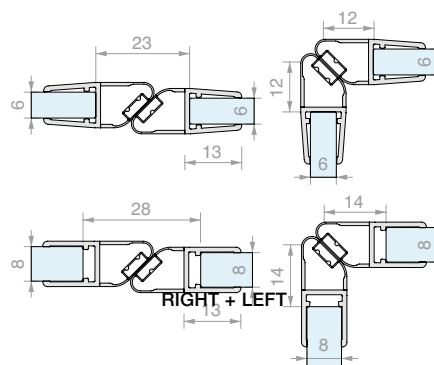


Art.	Length	Qty
BDFIX8	2000 mm	1 Pc
BDFIX10	1000 mm	1 Pc



MAGNETIC 45° GASKET

Material: Co-extruded rigid and soft PVC
 Resistant to UV rays
 Fungicide to prevent mould from forming
 Maximum operating temperature 70°C
 Colour: transparent balloon,
 white magnet

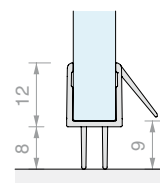


Art.	Length	For glass	Qty
GM62SX	2200 mm	From 6 to 8 mm	1 Pc
GM6230SX	3000 mm	From 6 to 8 mm	1 Pc
GM62DX	2200 mm	From 6 to 8 mm	1 Pc
GM6230DX	3000 mm	From 6 to 8 mm	1 Pc



GASKET WITH DOUBLE-LIP WATER BARRIER AND DRIP FLAP

Material: Co-extruded rigid and soft PVC
 Resistant to UV rays
 Fungicide to prevent mould from forming
 Maximum operating temperature 70°C
 Colour: transparent, embossed lips

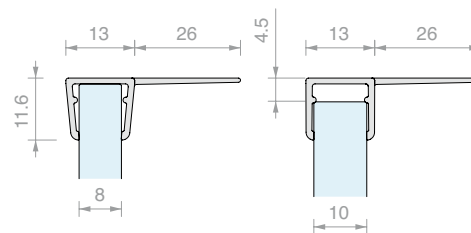


Art.	Length	For glass	Qty
GM5610	1000 mm	From 6 to 8 mm	1 Pc
GM5620	2000 mm	From 6 to 8 mm	1 Pc
GM5625	2500 mm	From 6 to 8 mm	1 Pc
GM5630	3000 mm	From 6 to 8 mm	1 Pc



GASKET WITH LONG SIDE LIP

Material: Co-extruded rigid and soft PVC
 Resistant to UV rays
 Fungicide to prevent mould from forming
 Colour: transparent/*black, embossed lip

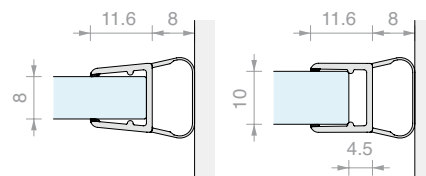


Art.	Length	For glass	Qty
GM014	2000 mm	From 8 to 10 mm	1 Pc
GM01422	2200 mm	From 8 to 10 mm	1 Pc
GM01422NR*	2200 mm	From 8 to 10 mm	1 Pc
GM01425	2500 mm	From 8 to 10 mm	1 Pc
GM01425NR*	2500 mm	From 8 to 10 mm	1 Pc
GM0143000	3000 mm	From 8 to 10 mm	1 Pc
GM0143000NR*	3000 mm	From 8 to 10 mm	1 Pc



BALLOON GASKET

Material: Co-extruded rigid and soft PVC
 Maximum operating temperature 70°C
 Colour: transparent/*black, transparent balloon



Art.	Length	For glass	Qty
GM06	2000 mm	From 8 to 10 mm	1 Pc
GM0622	2200 mm	From 8 to 10 mm	1 Pc
GM0622NR*	2200 mm	From 8 to 10 mm	1 Pc
GM0625	2500 mm	From 8 to 10 mm	1 Pc
GM0625NR*	2500 mm	From 8 to 10 mm	1 Pc
GM063000	3000 mm	From 8 to 10 mm	1 Pc
GM063000NR*	3000 mm	From 8 to 10 mm	1 Pc

DCCFLAT

Design

The elegance of steel combines with the transparency of glass.
The DCCFLAT system offers long-lasting performance and an
even more sophisticated design.

GOCCIA 35

GOCCIA 50

GLMFLAT





/8
Brushed steel



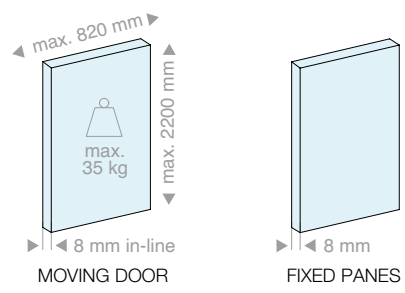
/15
Polished steel



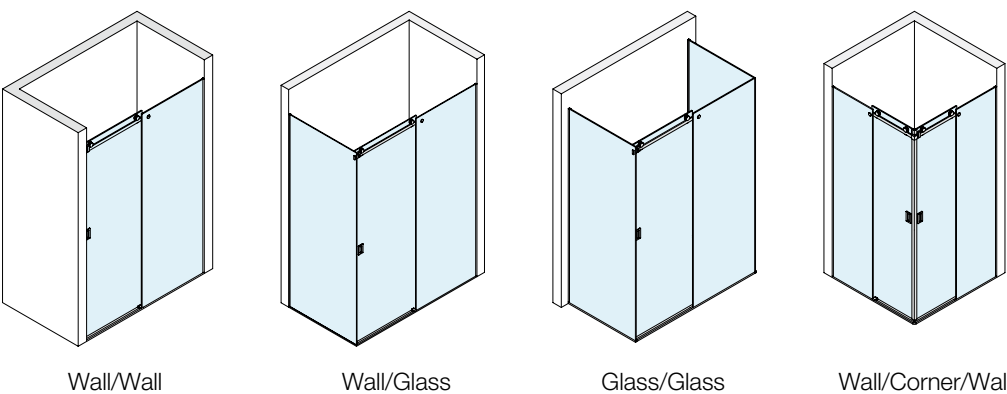
DCCFLAT

Technical properties

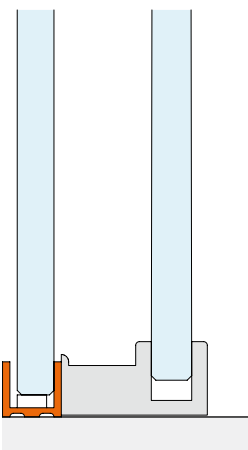
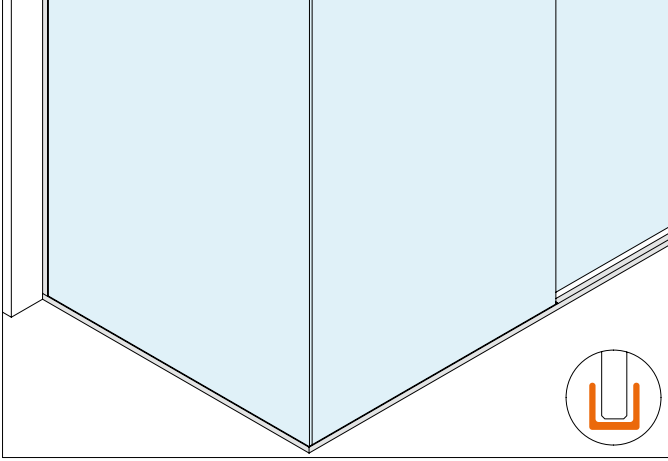
Sliding door system for 8-mm glass with visible mechanisms. Featuring easy assembly and adjustment, this elegant and functional solution supports doors weighing up to 35 kg. Innovative technical solutions minimize the number of visible components, without ever overlooking the functional features of a top-of-the-line system.



4 configurations

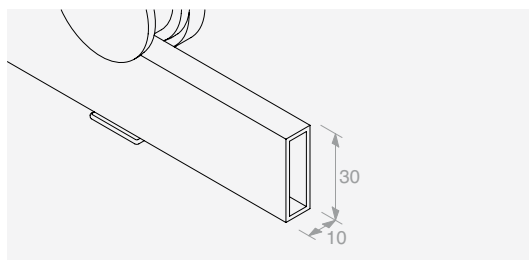
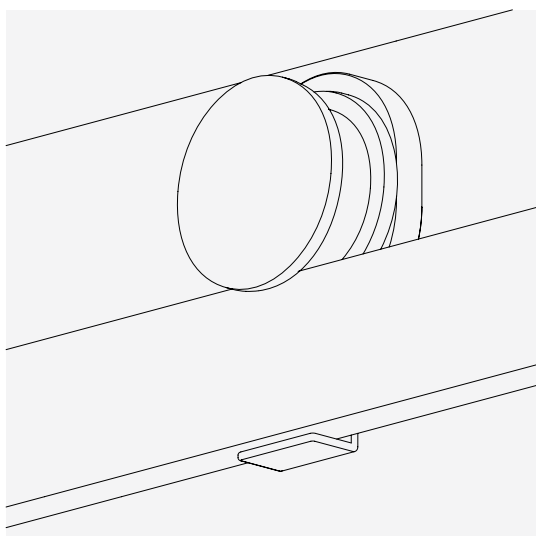


Types of installation



Kits For framed fixed panes

Simple, modern design.
With this solution, fixed glass panes are installed within a 15mm x 16mm aluminium profile. The same profile, with an upper snap-on cover, acts as a water barrier in the open area.

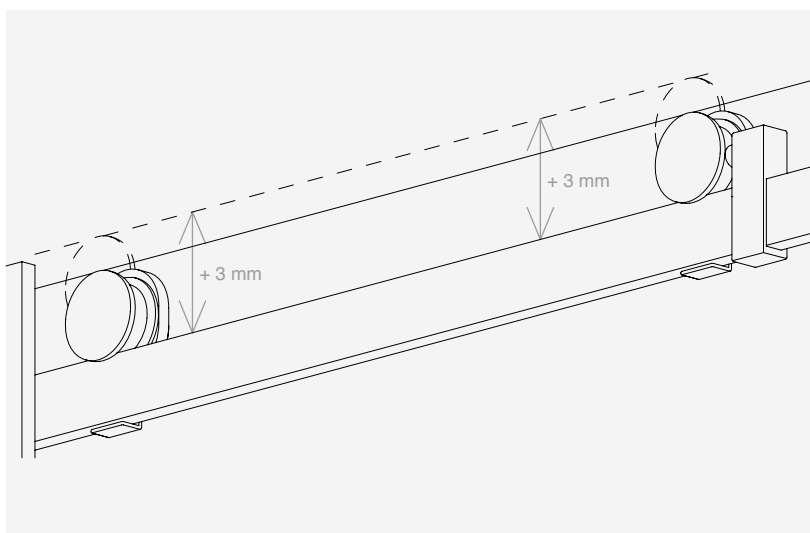
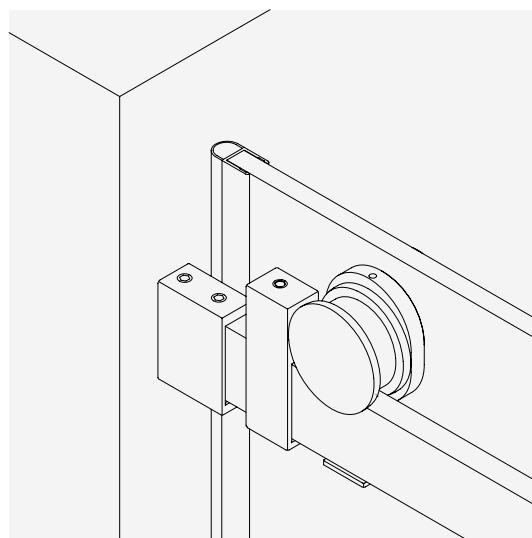


MINIMAL DESIGN

The design combines essential aesthetics and functional elegance

STABILISATION

The anti-derailment system is incorporated in the carrier, minimising the number of visible components

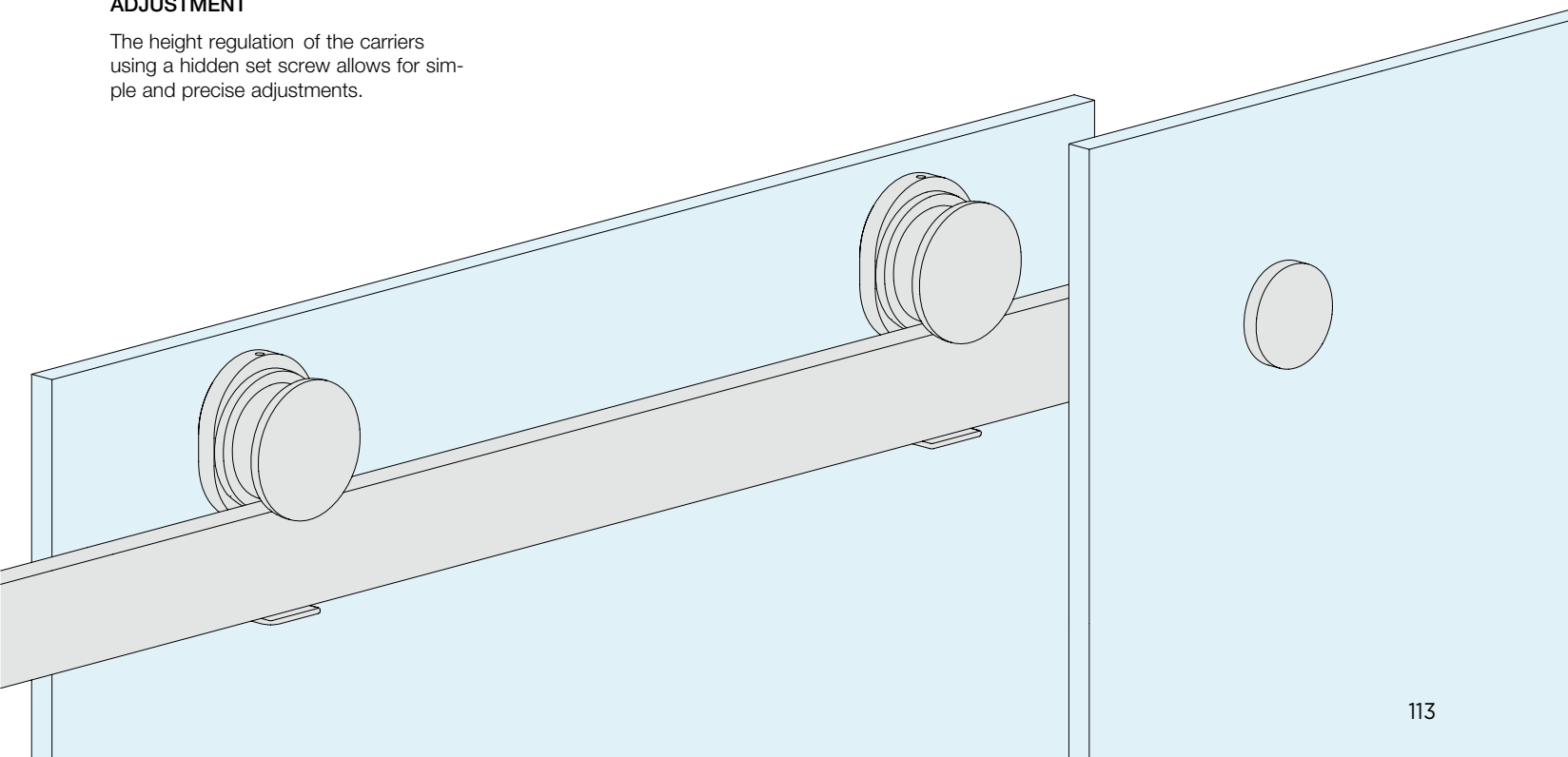


VISIBLE MECHANISMS

The simple and discreet functional components featuring external sliding wheels make the glass stand out.

ADJUSTMENT

The height regulation of the carriers using a hidden set screw allows for simple and precise adjustments.



GOCCIA 35

GOCCIA 50

GLMFLAT

DCCFLAT

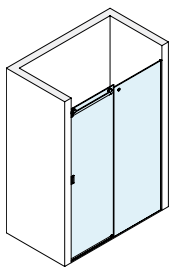


DCCFLAT

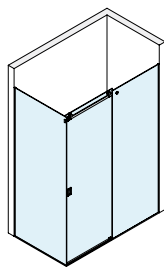
Kit



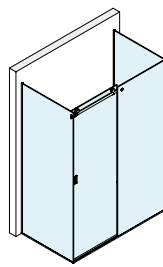
CONFIGURATIONS WITH FRAMED FIXED PANES



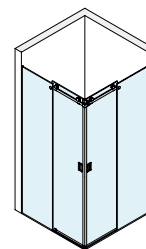
Page 117



Page 119



Page 121



Page 123

GOCCIA 35

GOCCIA 50

GLMFLAT

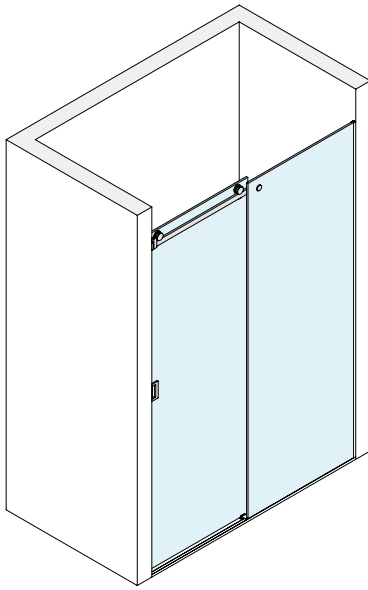
DCCFLAT





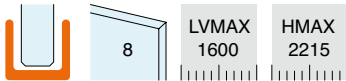
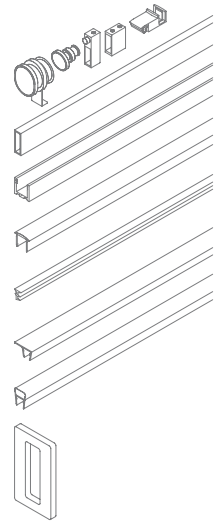
WALL/WALL SLIDING DOOR SHOWER KIT WITH FRAME PROFILE FOR FIXED PANE

Finish: /8 /15

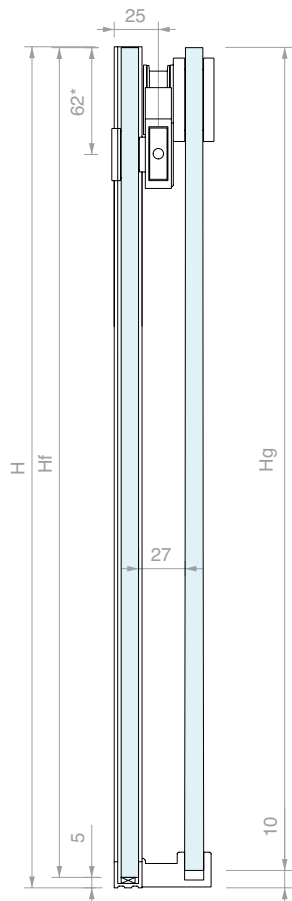


Kit comprising:

Art.	Description	Qty
DCCFTMUR	Wall/wall accessories kit	1 Pc
GLMFT2000	Track	1 Pc
PBD3183.220	U-shaped profile	2 Pcs
PBD3184.150	Rounded upper profile	1 Pc
GTUP4	Glass holder gasket	4 m
GM01422	Gasket with side lip	1 Pc
GM0622	Balloon gasket	1 Pc
HAND10057VHB	Adhesive handle	2 Pcs
Optional		
GLMDCCFORO	Cutting and drilling	1 Pc



RECOMMENDED LAYOUTS



GLASS PANE DIMENSIONS

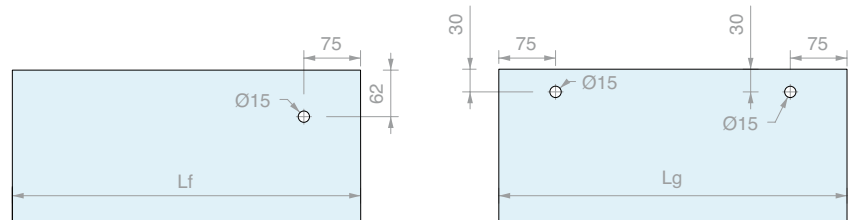
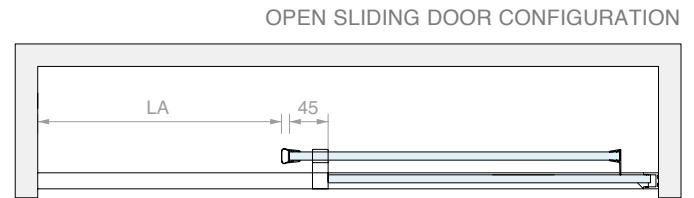
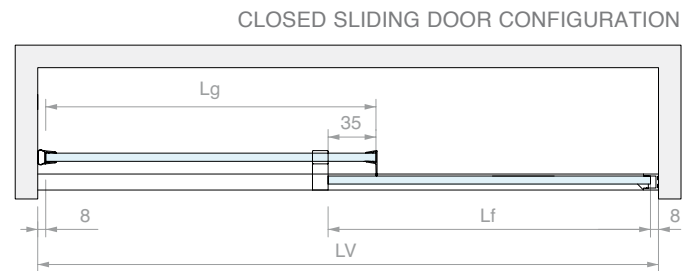
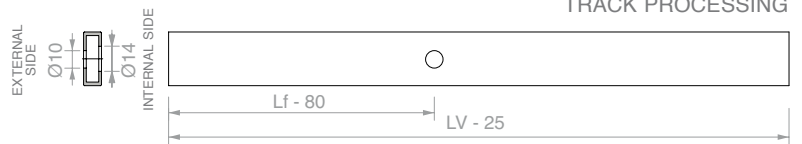
$L_g = (L_v + 40) / 2$
 $L_f = L_g - 20$

$H_g = H - 10$
 $H_f = H - 5$

$L_A = (L_v - 120) / 2$

PRIMARY LENGTHS (mm)

LV	Lg	Lf	LA
1600	820	800	740
1500	770	750	690
1400	720	700	640
1300	670	650	590



Art. **DCCFLAT003**

Qty
1 Pc

GOCCIA 35

GOCCIA 50

GLMFLAT

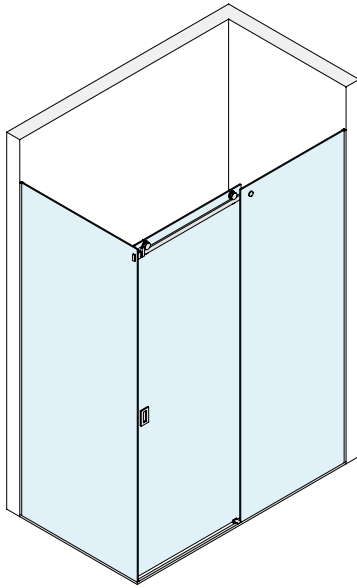
DCCFLAT





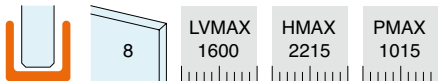
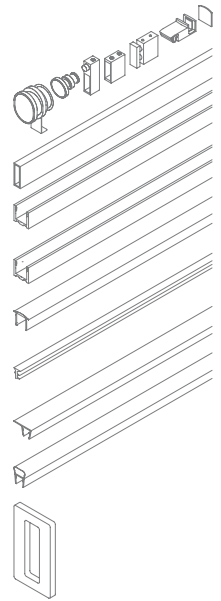
WALL/GLASS SLIDING DOOR SHOWER KIT WITH FRAME PROFILE FOR FIXED PANES

Finish: /8 /15

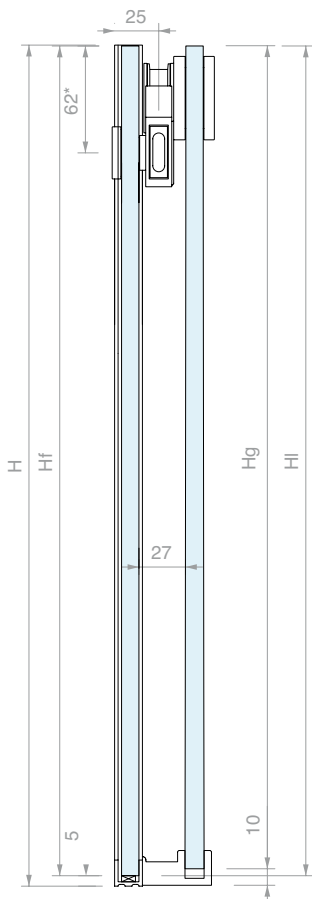


Kit comprising:

Art.	Description	Qty
DCCFTVET	Wall/glass accessories kit	1 Pc
GLMFT2000	Track	1 Pc
PBD3183.220	U-shaped profile	3 Pcs
PBD3183.150	U-shaped profile	1 Pc
PBD3184.150	Rounded upper profile	1 Pc
GTUP4	Glass holder gasket	7 m
GM01422	Gasket with side lip	1 Pc
GM0622	Balloon gasket	1 Pc
HAND10057VHB	Adhesive handle	2 Pcs
Optional		
GLMDCCFORO	Cutting and drilling	1 Pc



RECOMMENDED LAYOUTS



GLASS PANE DIMENSIONS

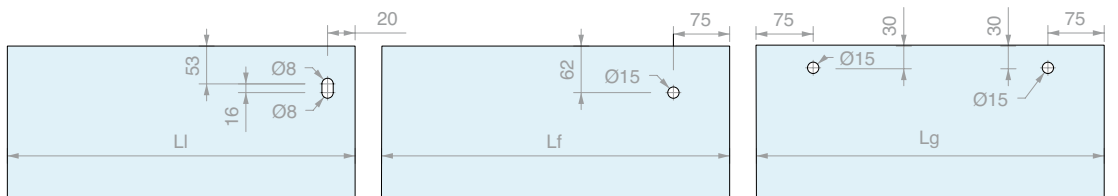
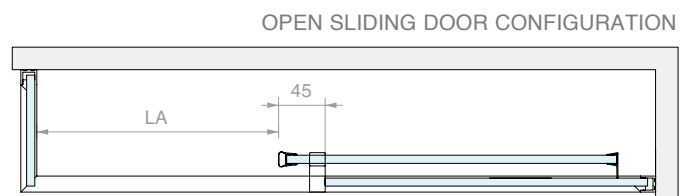
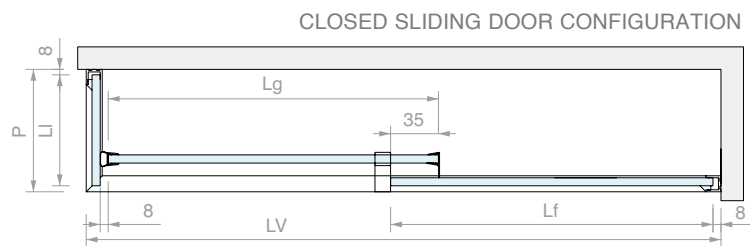
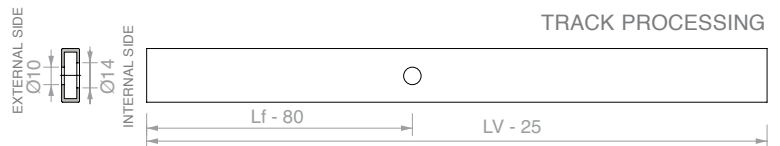
$L_g = (LV + 26) / 2$
 $L_f = L_g - 20$

$H_g = H - 10$
 $H_f = H - 5$

$L_i = P - 14$
 $H_i = H - 5$
 $LA = (LV - 134) / 2$

PRIMARY LENGTHS (mm)

LV	Lg	Lf	LA
1600	813	793	733
1500	763	743	683
1400	713	693	633
1300	663	643	583



Art. **DCCFLAT007**

Qty
1 Pc

GOCCIA 35

GOCCIA 50

GLMFLAT

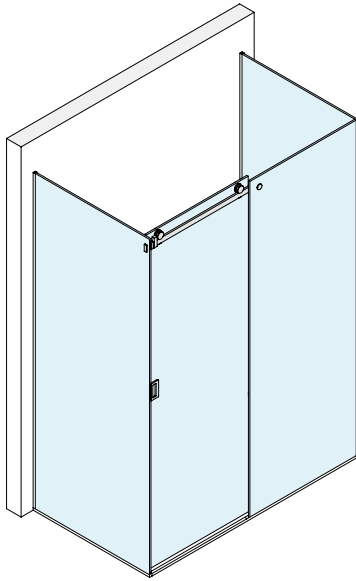
DCCFLAT





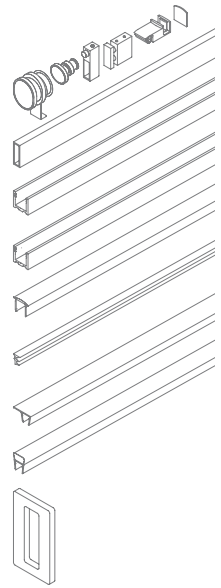
GLASS/GLASS SLIDING DOOR SHOWER KIT WITH FRAME PROFILE FOR FIXED PANES

Finish: /8 /15

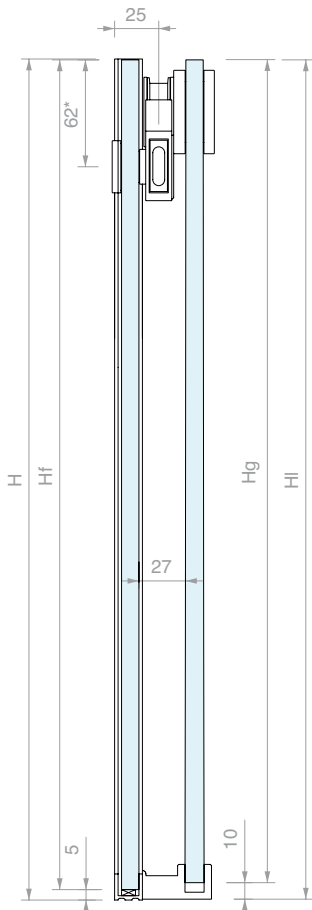


Kit comprising:

Art.	Description	Qty
DCCFTVV	Glass/glass accessories kit	1 Pc
GLMFT2000	Track	1 Pc
PBD3183.220	U-shaped profile	3 Pcs
PBD3183.150	U-shaped profile	2 Pcs
PBD3184.150	Rounded upper profile	1 Pc
GTUP4	Glass holder gasket	7 m
GM01422	Gasket with side lip	1 Pc
GM0622	Balloon gasket	1 Pc
HAND10057VHB	Adhesive handle	2 Pcs
Optional		
GLMDCCFORO	Cutting and drilling	1 Pc



RECOMMENDED LAYOUTS



GLASS PANE DIMENSIONS

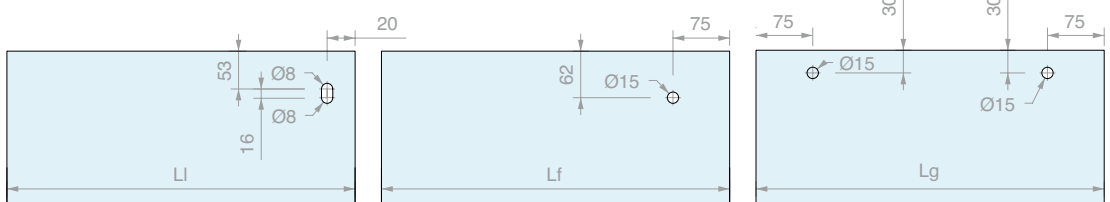
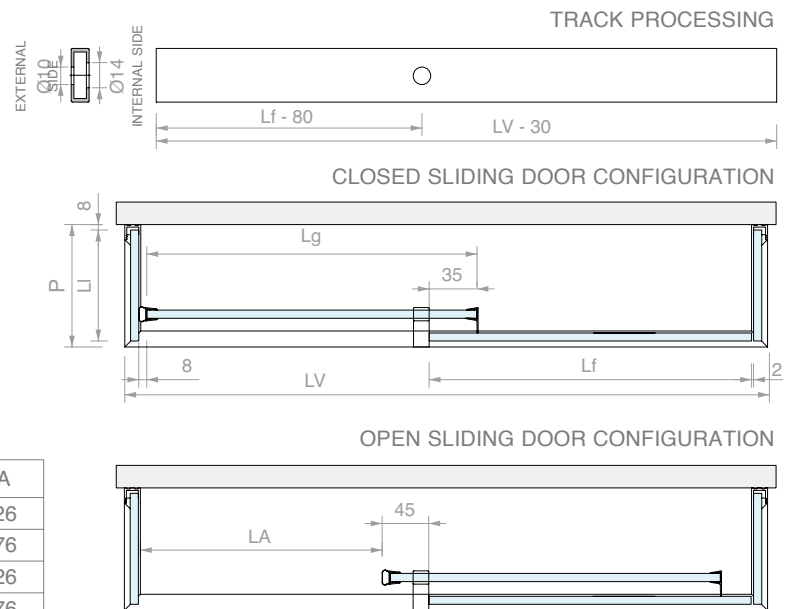
$L_g = (LV + 12) / 2$
 $L_f = L_g - 20$

$H_g = H - 10$
 $H_f = H - 5$

$L_i = P - 14$
 $H_i = H - 5$
 $LA = (LV - 148) / 2$

PRIMARY LENGTHS (mm)

LV	Lg	Lf	LA
1600	806	786	726
1500	756	736	676
1400	706	686	626
1300	656	636	576



Art. **DCCFLAT009**

Qty
1 Pc

GOCCIA 35

GOCCIA 50

GLMFLAT

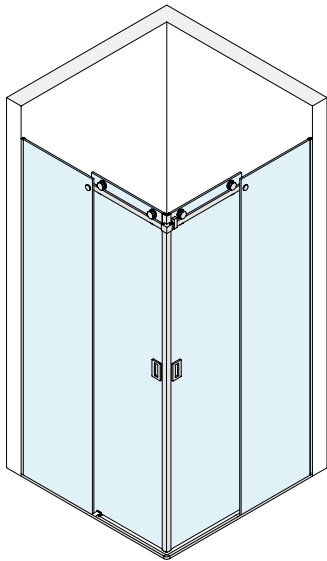
DCCFLAT





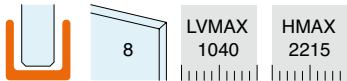
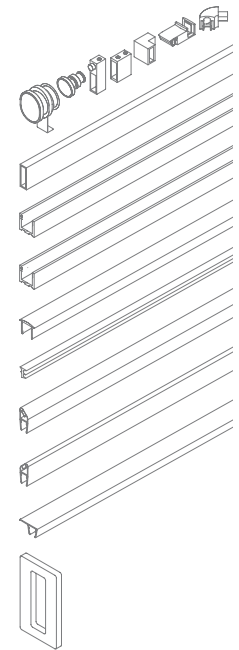
WALL/CORNER/WALL SLIDING DOOR SHOWER KIT WITH FRAME PROFILE FOR FIXED PANES

Finish: /8 /15

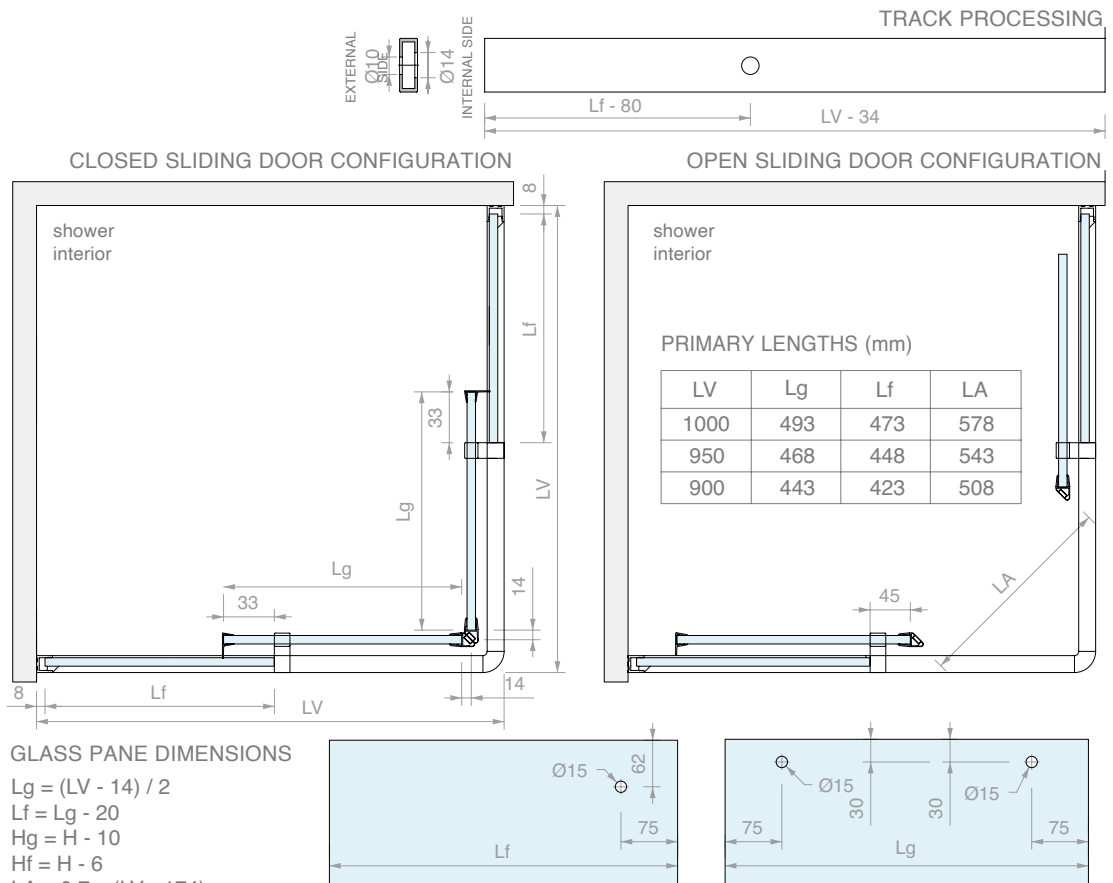
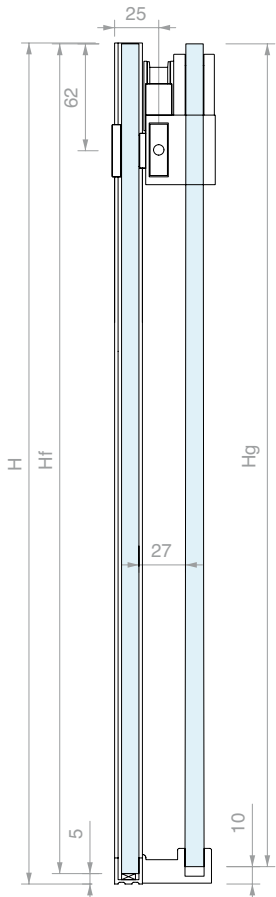


Kit comprising:

Art.	Description	Qty
DCCFT90	Wall/corner/wall accessories kit	1 Pc
GLMFT1000	Track	2 Pcs
PBD3183.220	U-shaped profile	2 Pcs
PBD3183.150	U-shaped profile	2 Pcs
PBD3184.150	Rounded upper profile	1 Pc
GTUP4	Glass holder gasket	7 m
GM62SX	45° magnetic gasket	1 Pc
GM62DX	45° magnetic gasket	1 Pc
GM01422	Gasket with side lip	2 Pcs
HAND10057VHB	Adhesive handle	4 Pcs
Optional		
GLMDCCFORO	Cutting and drilling	1 Pc



RECOMMENDED LAYOUTS



Art. **DCCFLAT011**

Qty
1 Pc

**WALL/WALL ACCESSORIES KIT**

composed of:

- 2 eccentric sliding wheels with cover
- 2 wall fixings
- 2 end stops
- 1 fixing for fixed pane
- 1 floor guide

Finish: /8 /15

Art.	For glass	Qty
DCCFTMUR	8 mm	1 Pc

**WALL/GLASS ACCESSORIES KIT**

composed of:

- 2 eccentric sliding wheels with cover
- 1 wall fixing
- 1 glass fixing
- 2 end stops
- 1 fixing for fixed pane
- 1 floor guide
- 1 profile cap

Finish: /8 /15

Art.	For glass	Qty
DCCFTVET	8 mm	1 Pc

**GLASS/GLASS ACCESSORIES KIT**

composed of:

- 2 eccentric sliding wheels with cover
- 2 glass fixings
- 2 end stops
- 1 fixing for fixed pane
- 1 floor guide
- 2 profile caps

Finish: /8 /15

Art.	For glass	Qty
DCCFTWV	8 mm	1 Pc

**WALL/CORNER/WALL ACCESSORIES KIT**

composed of:

- 4 eccentric sliding wheels with cover
- 2 wall fixings
- 4 end stops
- 2 fixings for fixed panes
- 2 floor guides
- 1 corner junction for tracks
- 1 corner junction for profiles

Finish: /8 /15

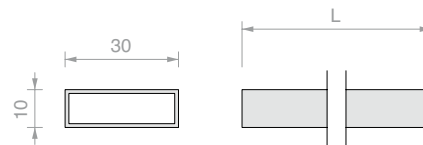
Art.	For glass	Qty
DCCFT90	8 mm	1 Pc



TRACK

Material: AISI 304 steel

Finish: /8 /15



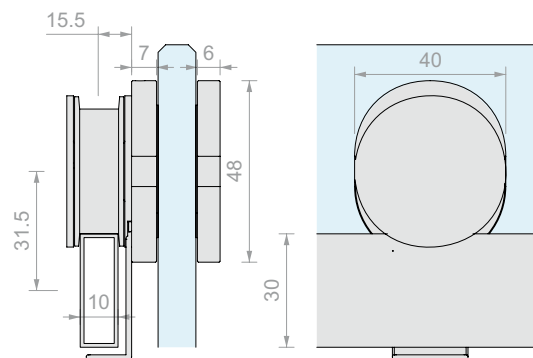
Art.	Length	Qty
GLMFT1000	1000 mm	1 Pc
GLMFT2000	2000 mm	1 Pc
GLMFT3000	3000 mm	1 Pc
GLMDCCFORO	Track cutting and drilling of 1 hole	1 Pc



1 ECCENTRIC SLIDING WHEEL WITH COVER

Material: AISI 304 steel

Finish: /8 /15



Art.	For glass	Qty
DCCFT12	From 8 to 10 mm	1 Pc

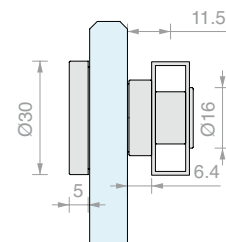


FIXING FOR FIXED GLASS

Material: AISI 304 steel

Recommended glass hole size Ø15 mm

Finish: /8 /15



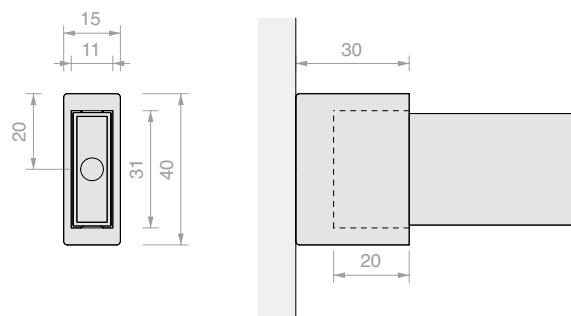
Art.	For glass	Qty
DCCFT16	From 8 to 10 mm	1 Pc



WALL FIXING

Material: AISI 304 steel

Finish: /8 /15



Art.	Qty
DCCFT18	1 Pc

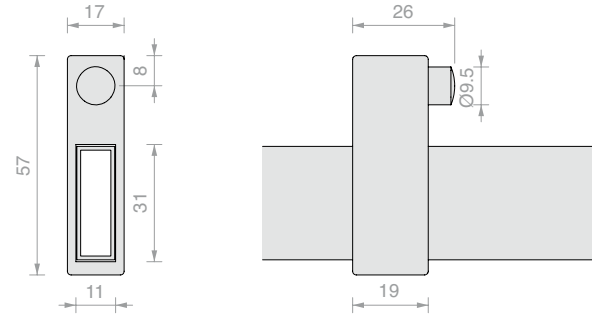


GOCCIA 35



END STOP WITH RUBBER BUMPER

Material: AISI 304 steel
Finish: /8 /15



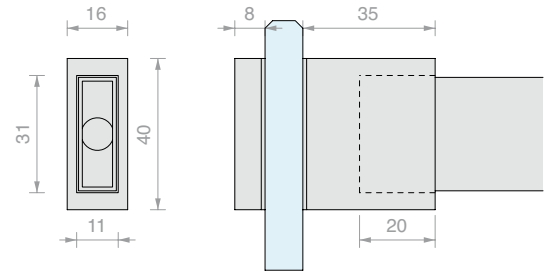
Art.	Qty
DCCFT20	1 Pc

GOCCIA 50



GLASS FIXING

Material: AISI 304 steel
Finish: /8 /15
Recommended glass hole size Ø8 mm



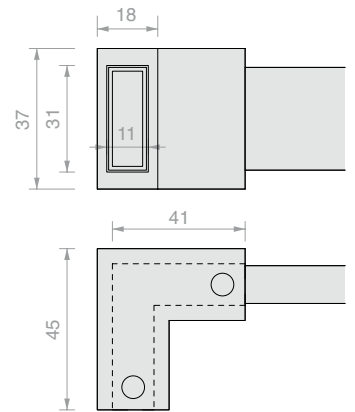
Art.	For glass	Qty
GLMFT37	From 8 to 10 mm	1 Pc

GLMFLAT



CORNER JUNCTION

Material: AISI 304 steel
Finish: /8 /15



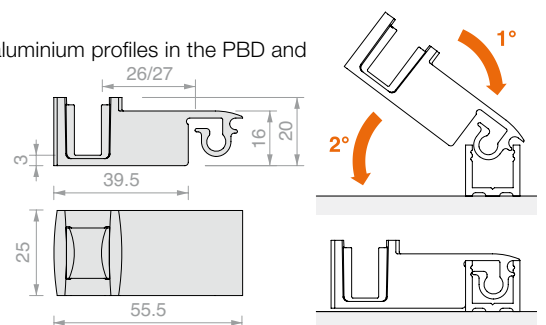
Art.	Qty
GLMFT90	1 Pc

DCCFLAT



SNAP-ON FLOOR GUIDE FOR GLASS WITH PROFILE

Material: Zamak
Compatible with aluminium profiles in the PBD and LMU series
Finish: /1 /24*
* Not available for Art. DCC10



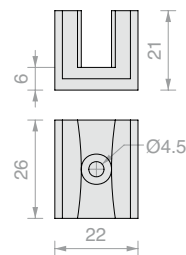
Art.	For glass	Qty
DCC08	8 mm	1 Pc
DCC10	10 mm	1 Pc



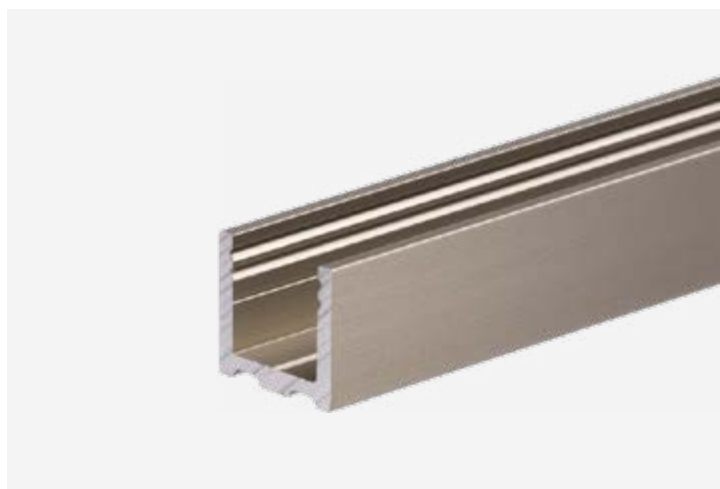
FLOOR GUIDE

Material: AISI 304 steel

Finish: /8 /15



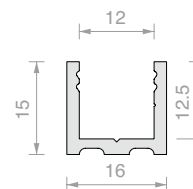
Art.	For glass	Qty
GLMSPA08	8 mm	1 Pc
GLMSPA10	10 mm	1 Pc



U-SHAPED PROFILE

Material: Aluminium

Finish: /6 /88 /91 /97



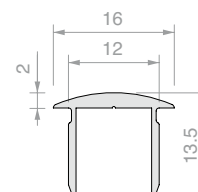
Art.	Length	Qty
PBD3183.150	1498 mm	1 Pc
PBD3183.220	2200 mm	1 Pc
PBD3183	3000 mm	1 Pc



ROUNDED UPPER PROFILE PBD3184

Material: Aluminium

Finish: /6 /88 /91 /97



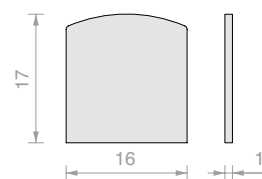
Art.	Length	Qty
PBD3184.100	992 mm	1 Pc
PBD3184.150	1498 mm	1 Pc
PBD3184	3000 mm	1 Pc



ROUNDED CAP PBD

Material: Aluminium

Finish: /6 /88 /91 /97



Art.	Qty
PBDTP	1 Pc



GOCCIA 35

GOCCIA 50

GLMFLAT

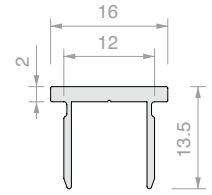
DCCFLAT



FLAT UPPER PROFILE PBD3186

Material: Aluminium

Finish: /6 /88 /91 /97



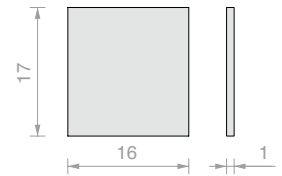
Art.	Length	Qty
PBD3186.100	992 mm	1 Pc
PBD3186.150	1498 mm	1 Pc
PBD3186	3000 mm	1 Pc



PBD FLAT CAP

Material: Aluminium

Finish: /6 /88 /91 /97



Art.	Qty
PBD86TP	1 Pc

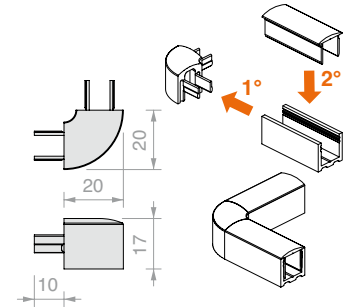


CORNER JOINT FOR PROFILE

Material: Zamak

Compatible with aluminium profiles in the PBD and LMU series
For PBD3184 upper profile

Finish: /1 /6 /24 /97



Art.	Qty
DCC90	1 Pc

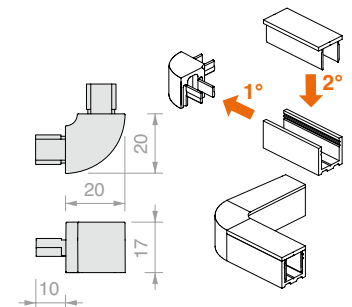


FLAT CORNER JOINT FOR PROFILE

Material: Zamak

Compatible with aluminium profiles in the PBD and LMU series
For PBD3186 upper profile

Finish: /1 /6 /24 /97



Art.	Qty
DCC90SQ	1 Pc



GLASS HOLDER GASKET

Material: PVC

Art.	Thickness	Colour	Qty	Art.	Thickness	Colour	Qty
GTUP2	2	Transparent	1 m	GTUP5G	5	Embossed	1 m
GTUP3	3	Transparent	1 m	GTUP6G	6	Embossed	1 m
GTUP4	4	Transparent	1 m	GTUP2N	2	Black	1 m
GTUP5	5	Transparent	1 m	GTUP3N	3	Black	1 m
GTUP6	6	Transparent	1 m	GTUP4N	4	Black	1 m
GTUP2G	2	Embossed	1 m	GTUP5N	5	Black	1 m
GTUP3G	3	Embossed	1 m	GTUP6N	6	Black	1 m
GTUP4G	4	Embossed	1 m				



MAGNETIC 45° GASKET

Material: Co-extruded rigid and soft PVC

Resistant to UV rays

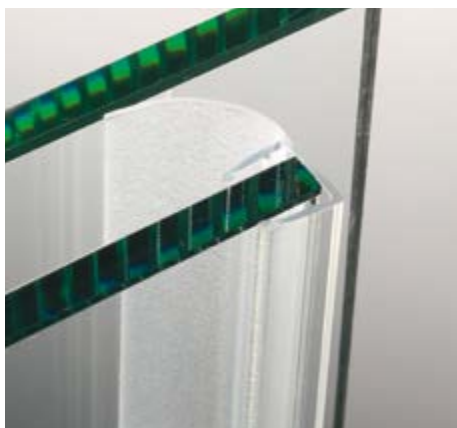
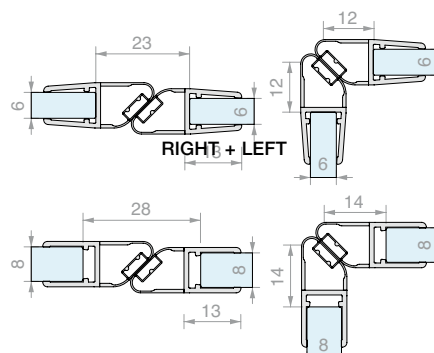
Fungicide to prevent mould from forming

Maximum operating temperature 70°C

Colour: transparent balloon,

white magnet

Art.	Length	For glass	Qty
GM62SX	2200 mm	From 6 to 8 mm	1 Pc
GM6230SX	3000 mm	From 6 to 8 mm	1 Pc
GM62DX	2200 mm	From 6 to 8 mm	1 Pc
GM6230DX	3000 mm	From 6 to 8 mm	1 Pc



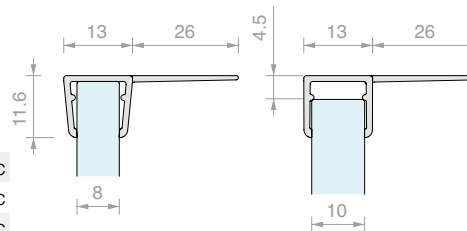
GASKET WITH SIDE LIP

Material: Co-extruded rigid and soft PVC - Resistant to UV rays

Fungicide to prevent mould from forming

Colour: transparent/*black, embossed lip

Art.	Length	For glass	Qty
GM014	2000 mm	From 8 to 10 mm	1 Pc
GM01422	2200 mm	From 8 to 10 mm	1 Pc
GM01422NR*	2200 mm	From 8 to 10 mm	1 Pc
GM01425	2500 mm	From 8 to 10 mm	1 Pc
GM01425NR*	2500 mm	From 8 to 10 mm	1 Pc
GM0143000	3000 mm	From 8 to 10 mm	1 Pc
GM0143000NR*	3000 mm	From 8 to 10 mm	1 Pc



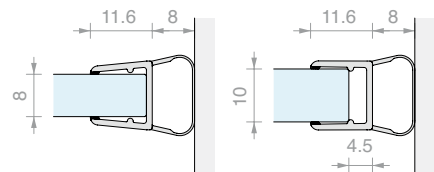
BALLOON GASKET

Material: Co-extruded rigid and soft PVC

Resistant to UV rays. Fungicide to prevent mould from forming

Colour: transparent/*black, transparent balloon

Art.	Length	For glass	Qty
GM06	2000 mm	From 8 to 10 mm	1 Pc
GM0622	2200 mm	From 8 to 10 mm	1 Pc
GM0622NR*	2200 mm	From 8 to 10 mm	1 Pc
GM0625	2500 mm	From 8 to 10 mm	1 Pc
GM0625NR*	2500 mm	From 8 to 10 mm	1 Pc
GM063000	3000 mm	From 8 to 10 mm	1 Pc
GM063000NR*	3000 mm	From 8 to 10 mm	1 Pc

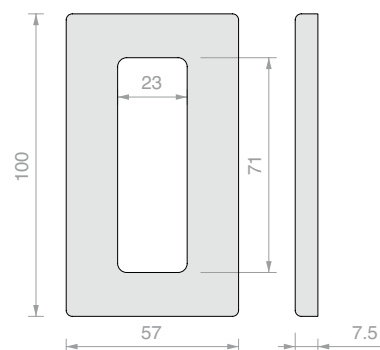


HANDLE WITH VHB FIXING

Material: AISI 304 steel

Finish: /8 /15

Art.	Qty
HAND10057VHB	1 Pc



GIUMAX

Design

Rounded shapes combine with the strength of a fully stainless steel track for enviable performance. GIUMAX SHOWER joins the style of its carriers with the resistance of AISI 304 stainless steel.





/8
Brushed steel



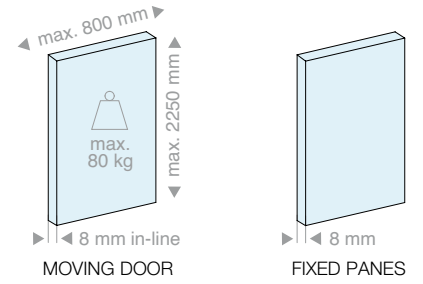
/15
Polished steel



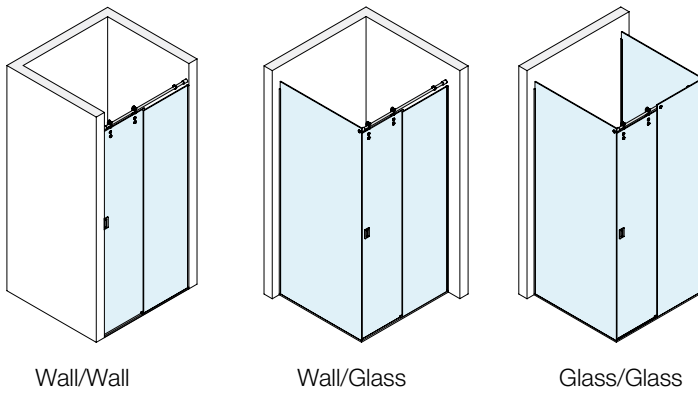
GIUMAX

Technical properties

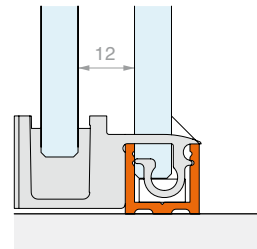
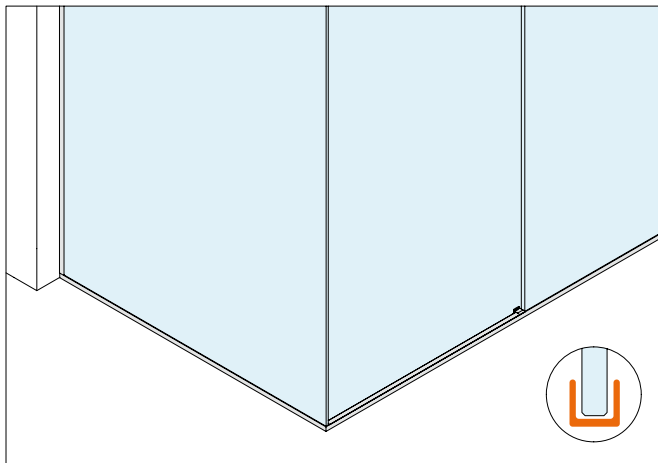
The sliding shower door system for 8-mm glass in the GIUMAX series uses visible sliding wheels on load-bearing tracks. These solutions are made of AISI 304 stainless steel and stand out for their elegance, reliability and durability.



3 configurations



Types of installation

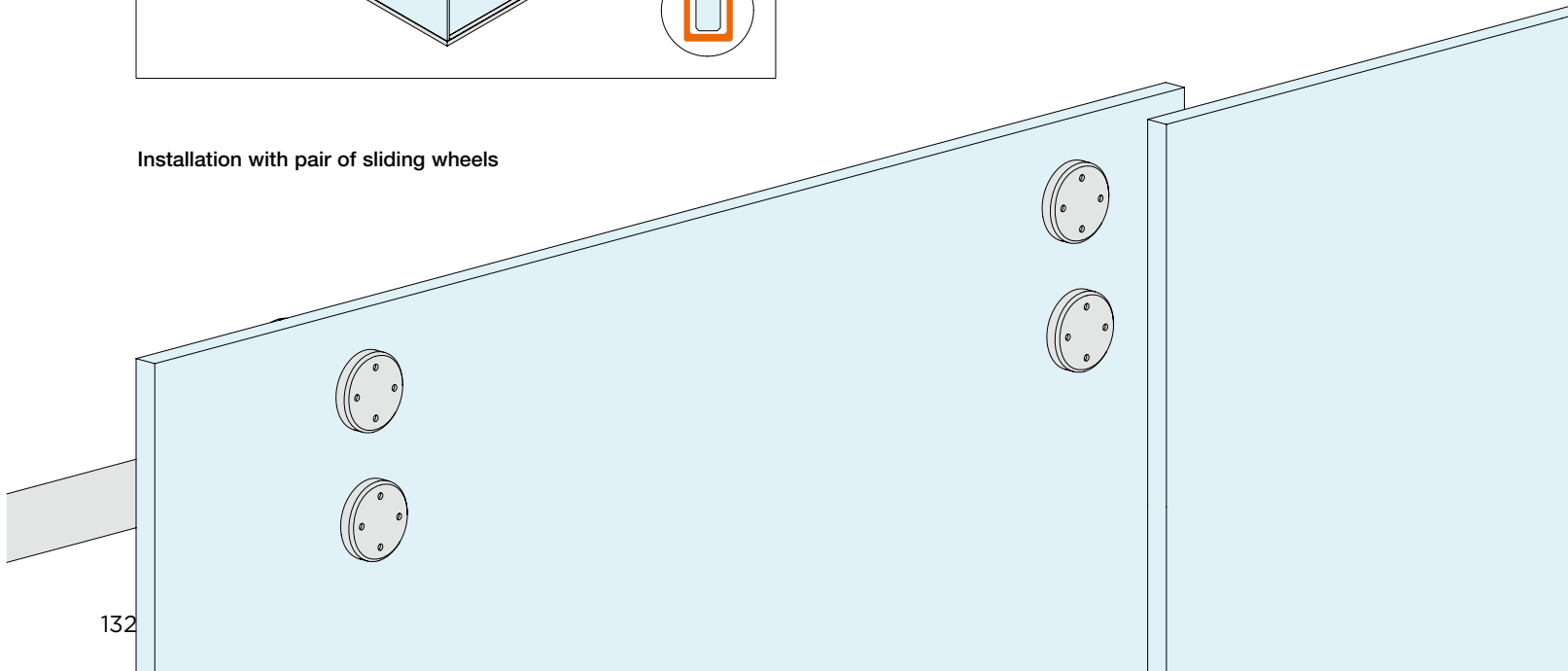


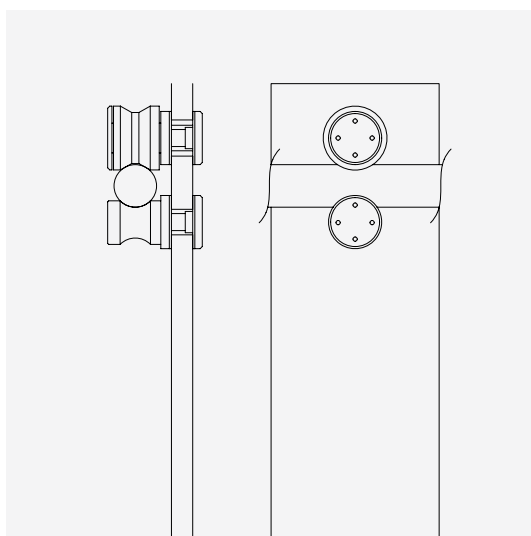
Kits

For framed fixed panes

Simple, modern design.
 With Linea U, fixed panes are held within a 15 mm x 16 mm aluminium profile.
 The same profile, with an upper snap-on cover, acts as a water barrier in the open area.

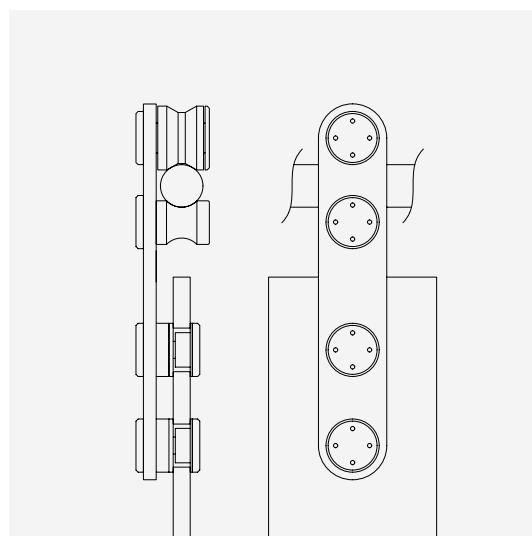
Installation with pair of sliding wheels





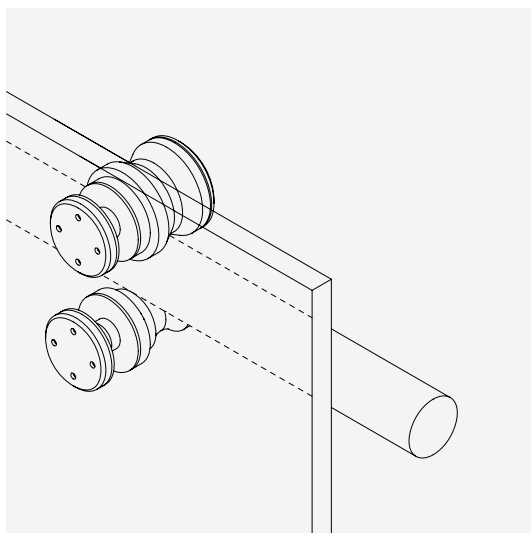
SYSTEM WITH SLIDING WHEELS

The door is mounted on two sliding wheels and the track operates within the dimensions of the door.



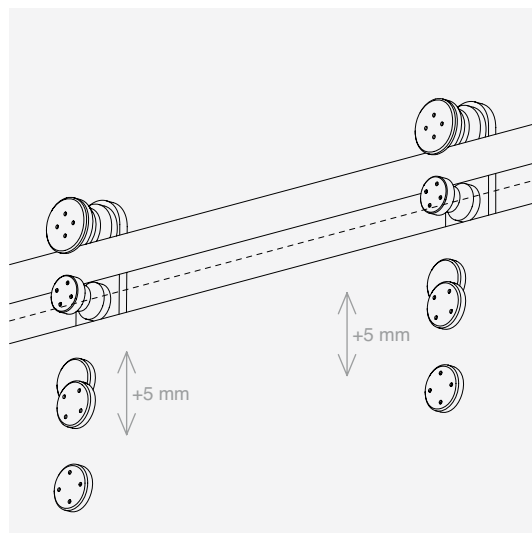
SYSTEM WITH CARRIER

The door is mounted on carrier. The track moves in the upper part of the carrier, above the door.



MAXIMUM TRANSPARENCY

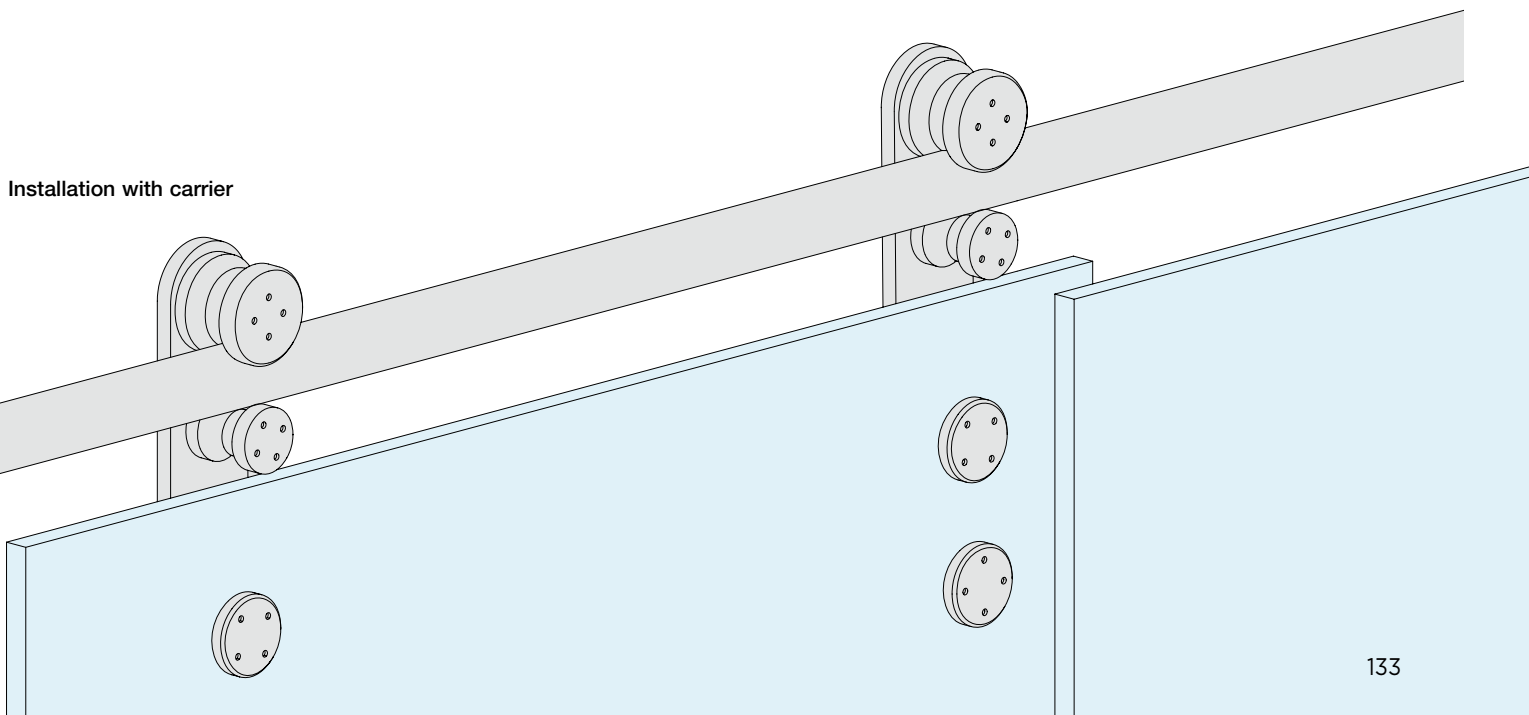
The system stands out for its goal of obtaining the utmost transparency with the use of sleek accessories and a minimal design.



DOOR ADJUSTMENT

With the carrier technology, the height of the sliding wheel and hubs can be adjusted, thereby regulating the position of the door.

Installation with carrier



GOCCIA 35

GOCCIA 50

GLMFLAT

DCCFLAT

GIUMAX

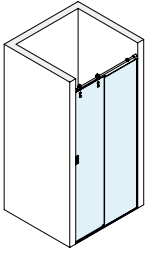


GIUMAX

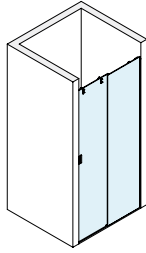
Kit



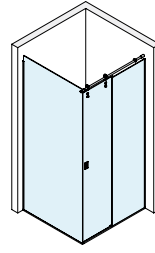
CONFIGURATIONS WITH FRAMED FIXED PANES



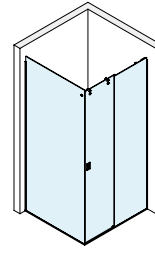
Page 136



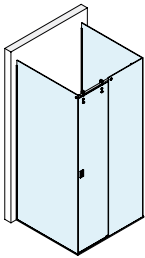
Page 137



Page 138



Page 139

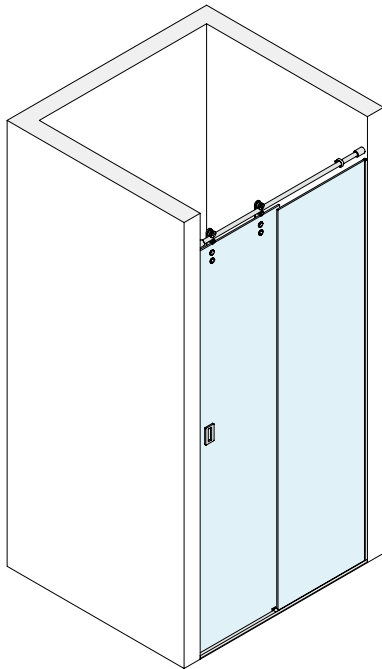


Page 140



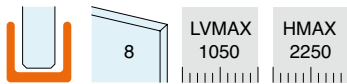
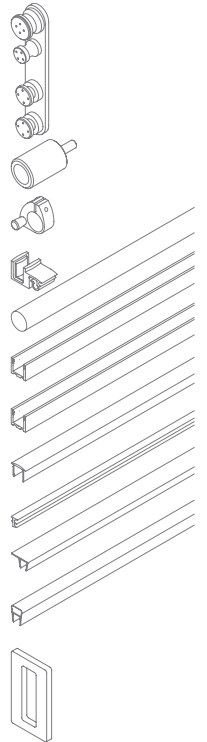
WALL/WALL SLIDING DOOR SHOWER KIT WITH FRAME PROFILE FOR FIXED PANE AND CARRIERS

Finish: /8 /15

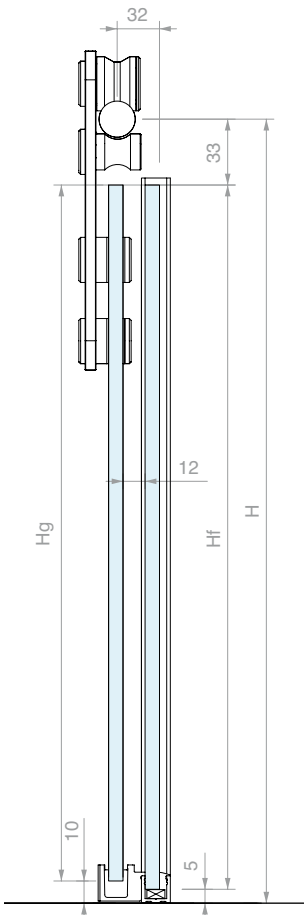


Kit comprising:

Art.	Description	Qty
GLM3000	Kit of 2 carriers on a plate	1 Pc
GLMDSTP	Wall fixing	2 Pcs
GLM3023	End stop	2 Pcs
DCC218	Floor guide	1 Pc
GLMTND10	Track	1 Pc
PBD3183.220	U-shaped profile	1 Pc
PBD3183.150	U-shaped profile	1 Pc
PBD3184.150	Rounded upper profile	1 Pc
GTUP4	Glass holder gasket	4 m
GM0141022	Gasket with side lip	1 Pc
GM0622	Balloon gasket	1 Pc
HAND10057VHB	Adhesive handle	2 Pcs



RECOMMENDED LAYOUTS



GLASS PANE DIMENSIONS

$$L_g = (LV + 20) / 2$$

$$L_f = L_g$$

$$H_g = H - 43$$

$$H_f = H - 38$$

$$L_A = (LV - 112) / 2$$

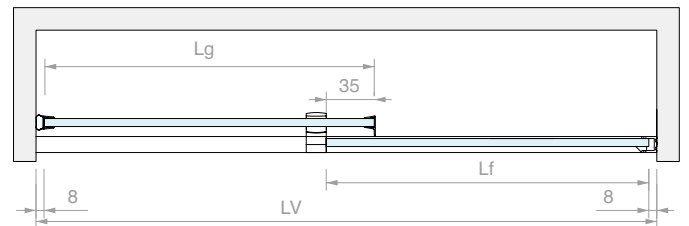
PRIMARY LENGTHS (mm)

LV	Lg	Lf	LA
1000	510	510	444
950	485	485	419

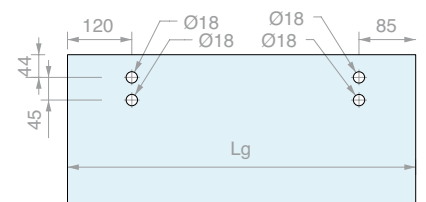
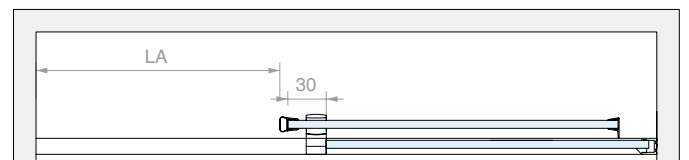
TRACK PROCESSING



CLOSED SLIDING DOOR CONFIGURATION



OPEN SLIDING DOOR CONFIGURATION



Art.

GLMKIT301

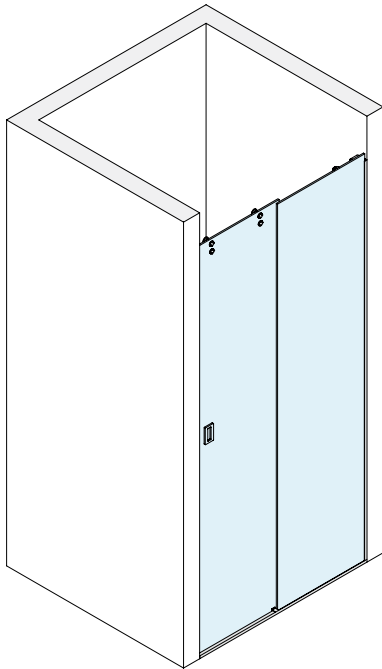
Qty

1 Pc



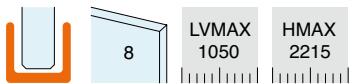
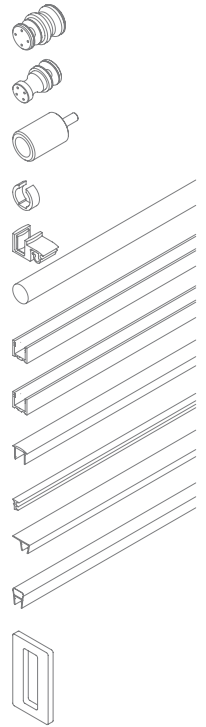
WALL/WALL SLIDING DOOR SHOWER KIT WITH FRAME PROFILE FOR FIXED PANE AND SLIDING WHEELS

Finish: /8 /15

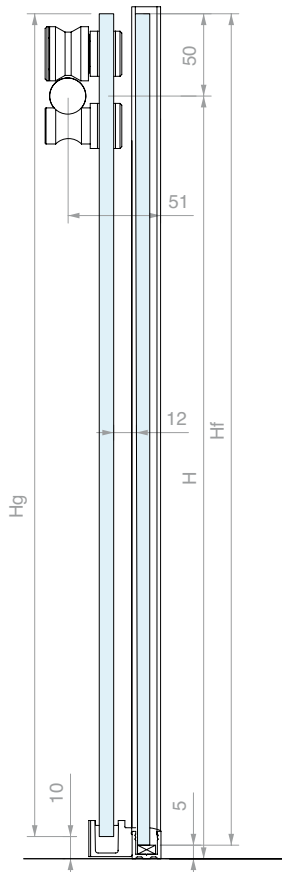


Kit comprising:

Art.	Description	Qty
GLM7000	Kit of 2+2 sliding wheels	1 Pc
GLMDSTP	Wall fixing	2 Pcs
GLM3020	End stop	2 Pcs
DCC218	Floor guide	1 Pc
GLMTND10	Track	1 Pc
PBD3183.220	U-shaped profile	1 Pc
PBD3183.150	U-shaped profile	1 Pc
PBD3184.150	Rounded upper profile	1 Pc
GTUP4	Glass holder gasket	4 m
GM0141022	Gasket with side lip	1 Pc
GM0622	Balloon gasket	1 Pc
HAND10057VHB	Adhesive handle	2 Pcs



RECOMMENDED LAYOUTS



GLASS PANE DIMENSIONS

$L_g = (LV + 20) / 2$
 $L_f = L_g$

$H_g = H + 40$
 $H_f = H + 45$

$LA = (LV - 112) / 2$

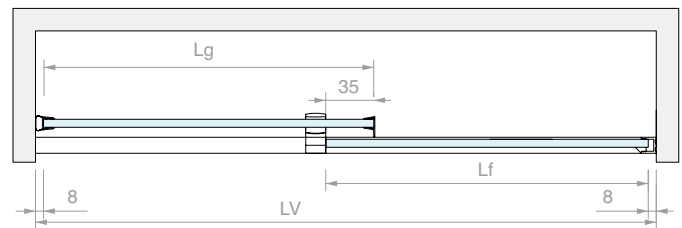
PRIMARY LENGTHS (mm)

LV	Lg	Lf	LA
1000	510	510	444
950	485	485	419

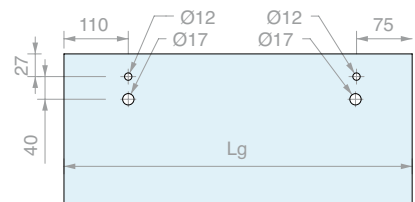
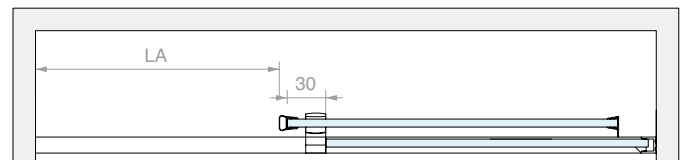
TRACK PROCESSING



CLOSED SLIDING DOOR CONFIGURATION



OPEN SLIDING DOOR CONFIGURATION



Art.
GLMKIT701

Qty
1 Pc



GOCCIA 35

GOCCIA 50

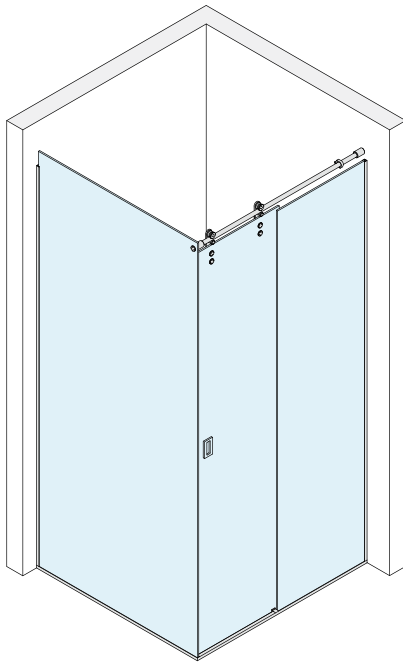
GLMFLAT

DCCFLAT

GIUMAX

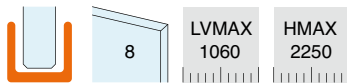
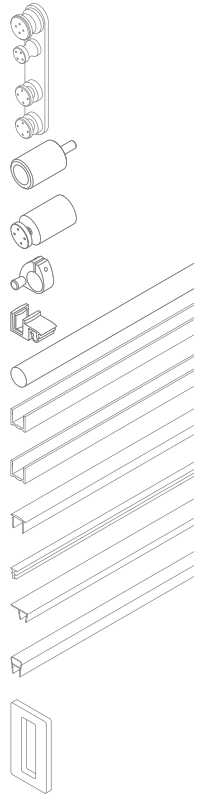
WALL/GLASS SLIDING DOOR SHOWER KIT WITH FRAME PROFILE FOR FIXED PANES AND CARRIERS

Finish: /8 /15

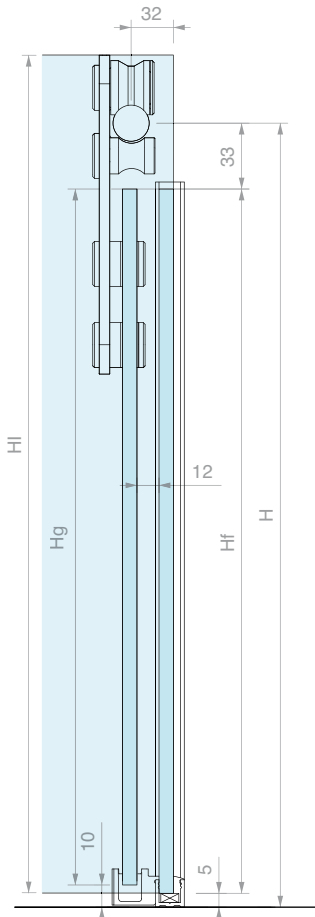


Kit comprising:

Art.	Description	Qty
GLM3000	Kit of 2 carriers on a plate	1 Pc
GLMDSTP	Wall fixing	1 Pc
GLMDSTV	Glass fixing	1 Pc
GLM3023	End stop	2 Pcs
DCC218	Floor guide	1 Pc
GLMTND10	Track	1 Pc
PBD3183.220	U-shaped profile	2 Pcs
PBD3183.150	U-shaped profile	2 Pcs
PBD3184.150	Rounded upper profile	1 Pc
GTUP4	Glass holder gasket	7 m
GM0141022	Gasket with side lip	1 Pc
GM0622	Balloon gasket	1 Pc
HAND10057VHB	Adhesive handle	2 Pcs



RECOMMENDED LAYOUTS



GLASS PANE DIMENSIONS

$$L_g = (LV + 5) / 2$$

$$L_f = L_g$$

$$H_g = H - 43$$

$$H_f = H - 38$$

$$L_l = P - 14$$

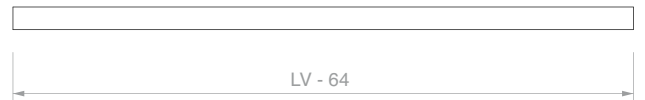
$$H_l = H + 35$$

$$L_A = (LV - 126) / 2$$

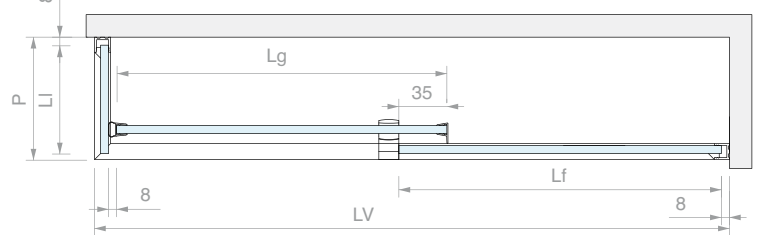
PRIMARY LENGTHS (mm)

LV	L _g	L _f	L _A
1000	503	503	437
950	478	478	412

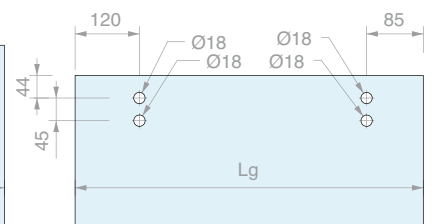
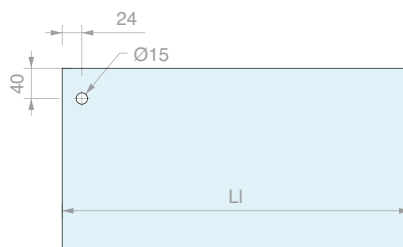
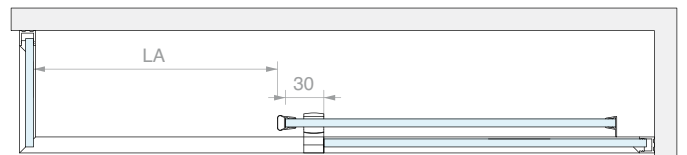
TRACK PROCESSING



CLOSED SLIDING DOOR CONFIGURATION



OPEN SLIDING DOOR CONFIGURATION



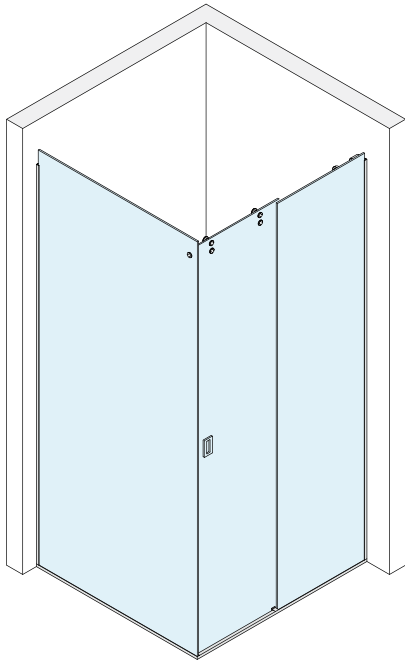
Art. **GLMKIT303**

Qty **1 Pc**



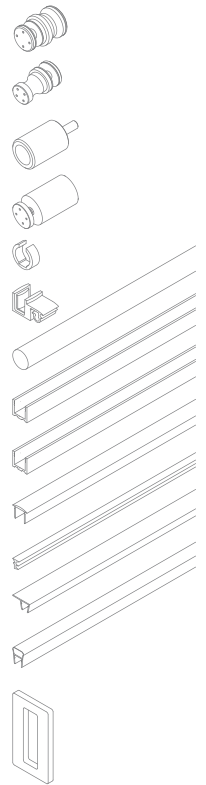
WALL/GLASS SLIDING DOOR SHOWER KIT WITH FRAME PROFILE FOR FIXED PANES AND SLIDING WHEELS

Finish: /8 /15

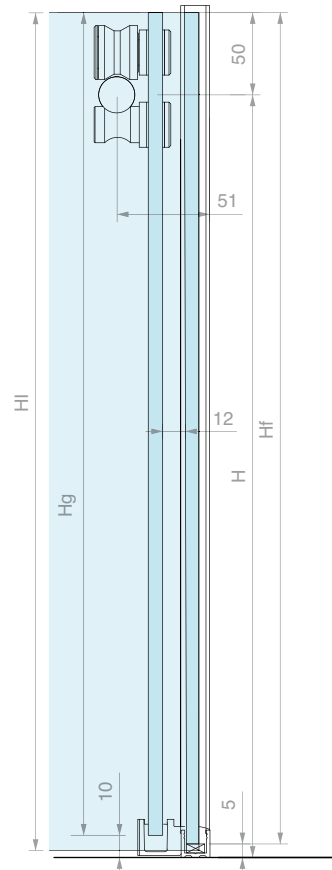


Kit comprising:

Art.	Description	Qty
GLM7000	Kit of 2+2 sliding wheels	1 Pc
GLMDSTP	Wall fixing	1 Pc
GLMDSTV	Glass fixing	1 Pc
GLM3020	End stop	2 Pcs
DCC218	Floor guide	1 Pc
GLMTND10	Track	1 Pc
PBD3183.220	U-shaped profile	2 Pcs
PBD3183.150	U-shaped profile	2 Pcs
PBD3184.150	Rounded upper profile	1 Pc
GTUP4	Glass holder gasket	7 m
GM0141022	Gasket with side lip	1 Pc
GM0622	Balloon gasket	1 Pc
HAND10057VHB	Adhesive handle	2 Pcs



RECOMMENDED LAYOUTS



GLASS PANE DIMENSIONS

$L_g = (LV + 5) / 2$
 $L_f = L_g$

$H_g = H + 40$
 $H_f = H + 45$

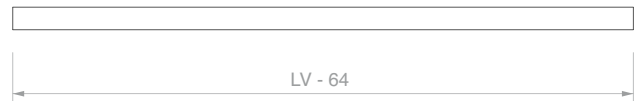
$L_i = P - 14$
 $H_i = H + 45$

$LA = (LV - 126) / 2$

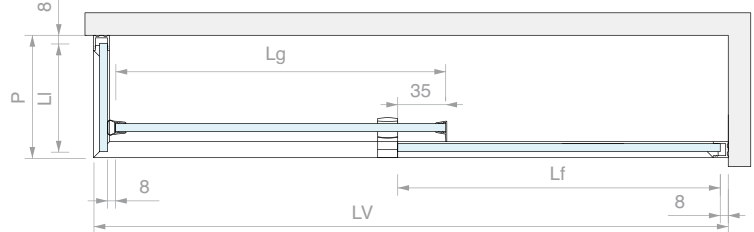
PRIMARY LENGTHS (mm)

LV	Lg	Lf	LA
1000	503	503	437
950	478	478	412

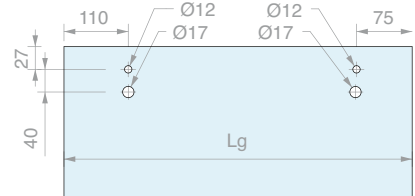
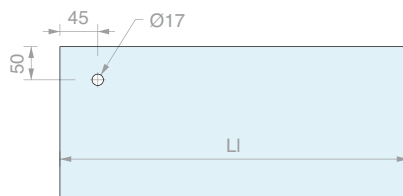
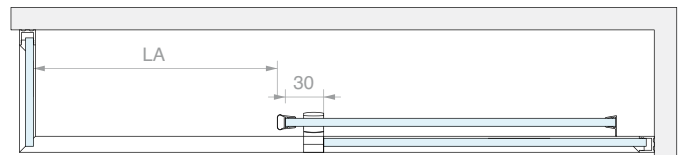
TRACK PROCESSING



CLOSED SLIDING DOOR CONFIGURATION



OPEN SLIDING DOOR CONFIGURATION



Art. **GLMKIT703**

Qty
1 Pc



GOCCIA 35

GOCCIA 50

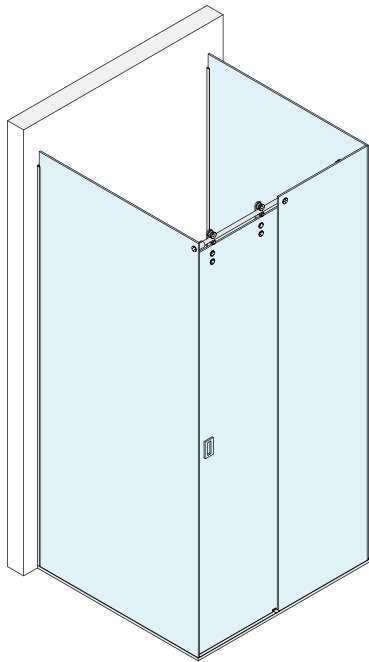
GLMFLAT

DCCFLAT

GIUMAX

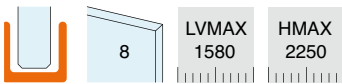
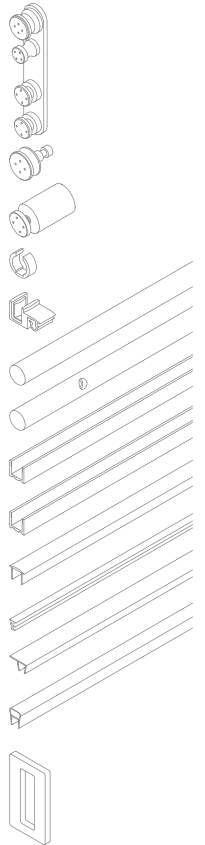
GLASS/GLASS SLIDING DOOR SHOWER KIT WITH FRAME PROFILE FOR FIXED PANES AND CARRIERS

Finish: /8 /15

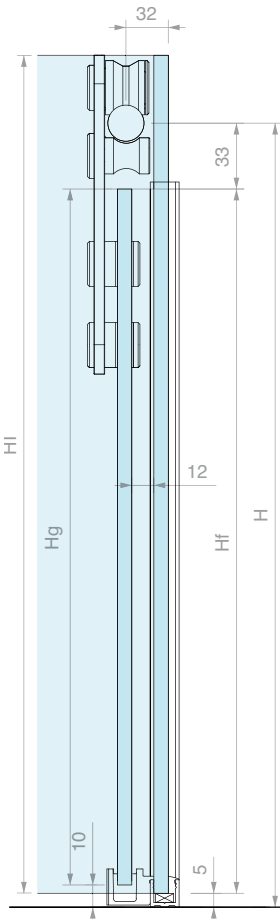


Kit comprising:

Art.	Description	Qty
GLM3000	Kit of 2 carriers on a plate	1 Pc
GLMBRV	Fixing for fixed glass	1 Pc
GLMDSTV	Glass fixing	2 Pcs
GLM3023	End stop	2 Pcs
DCC218	Floor guide	1 Pc
GLMBDLN15	Track	1.5 m
GLMFORO	Customised hole drilling	1 Pc
PBD3183.220	U-shaped profile	2 Pcs
PBD3183.150	U-shaped profile	3 Pcs
PBD3184.150	Rounded upper profile	1 Pc
GTUP4	Glass holder gasket	7 m
GM0141022	Gasket with side lip	1 Pc
GM0622	Balloon gasket	1 Pc
HAND10057VHB	Adhesive handle	2 Pcs



RECOMMENDED LAYOUTS



GLASS PANE DIMENSIONS

$$L_g = LV / 2$$

$$L_f = L_g$$

$$H_g = H - 43$$

$$H_f = H + 35$$

$$L_i = P - 14$$

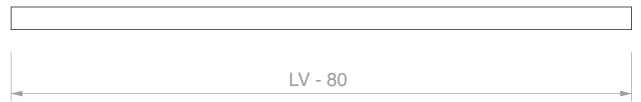
$$H_i = H + 35$$

$$L_A = (LV - 140) / 2$$

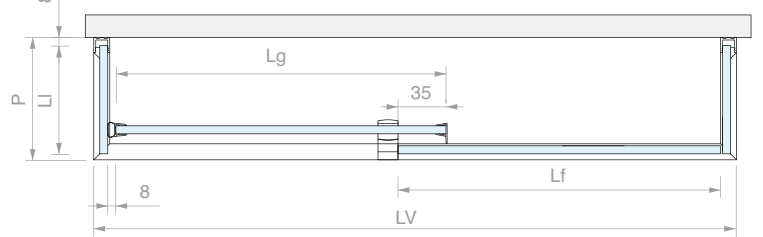
PRIMARY LENGTHS (mm)

LV	Lg	Lf	LA
1500	750	750	680
1400	700	700	630

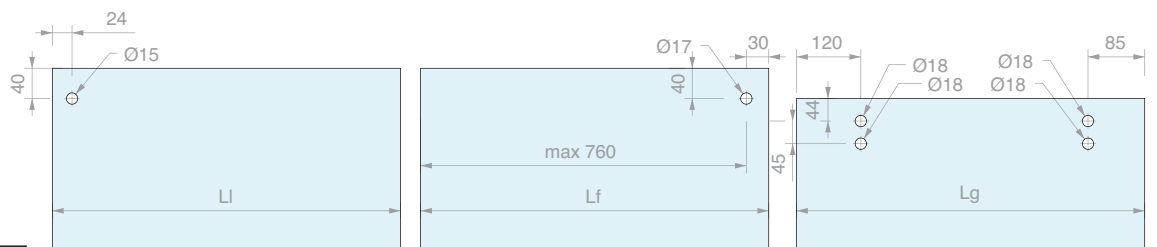
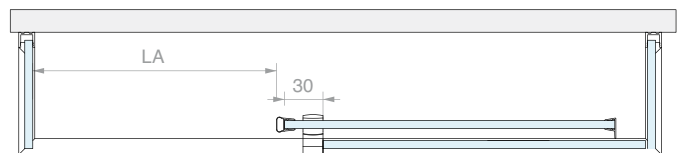
TRACK PROCESSING



CLOSED SLIDING DOOR CONFIGURATION

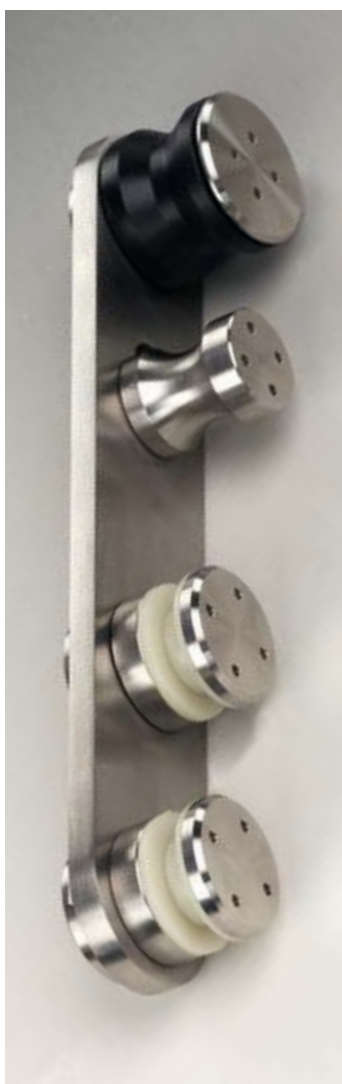


OPEN SLIDING DOOR CONFIGURATION



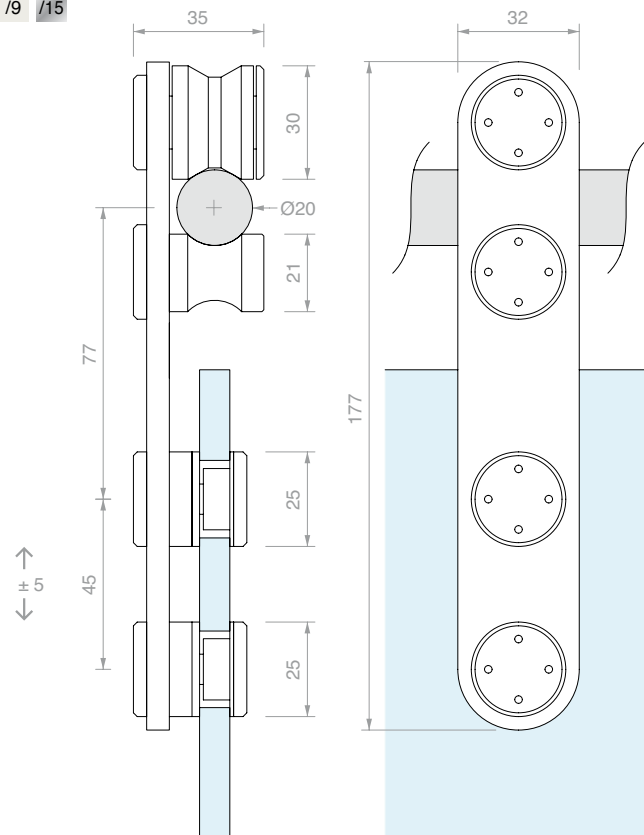
Art. **GLMKIT305**

Qty **1 Pc**



CARRIER

Material: AISI 304 stainless steel
 Recommended holes size Ø18 mm
 Recommended tool for tightening Art. UT200
 Finish: /9 /15

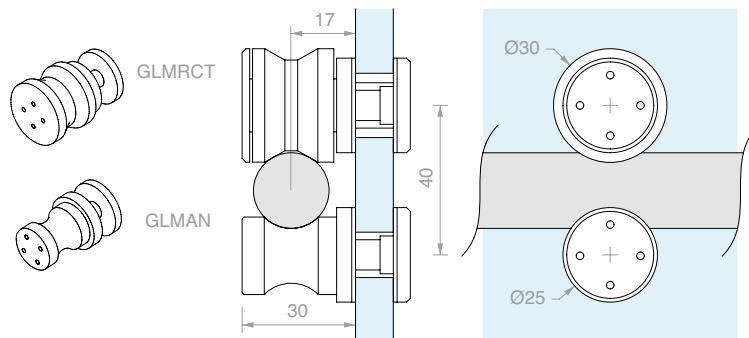


Art.	Description	For glass	Qty
GLM3050	Single carrier	From 8 to 10.7 mm	1 Pc
GLM3000	Kit of 2 carriers	From 8 to 10.7 mm	1 Pc



WHEELS

Material: AISI 304 stainless steel
 Recommended holes size GLMRCT Ø12 mm
 Recommended holes size GLMAN Ø17 mm
 Recommended tool for tightening Art. UT200
 Finish: /9 /15



Art.	Description	For glass	Qty
GLMRCT	Sliding wheel	From 6 to 12.7 mm	1 Pc
GLMAN	Anti-derailment pin	From 6 to 12.7 mm	1 Pc
GLM7000	Kit of 2 wheels + 2 pins	From 6 to 12.7 mm	1 Pc



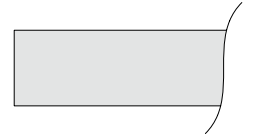
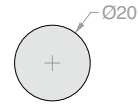
GOCCIA 35



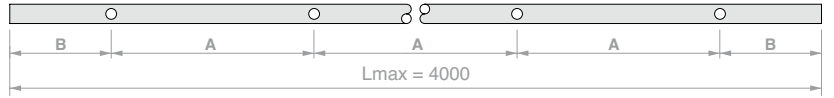
DRILLED SOLID ROUND TRACK

Material: AISI 304 stainless steel

Finish: /8 /15



Track drilling pattern:



Art.	Length	No. holes	Dimensions	Qty
GLMTND10	1000 mm	-	-	1 Pc
GLMBDLN15	cut to size	-	-	1 m
GLMFORO	Hole for GLMBDLN15	1	cut to size	cut to size

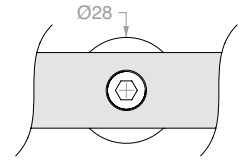
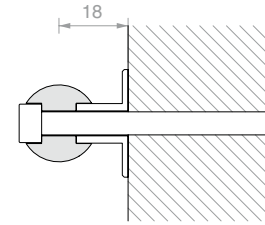
GOCCIA 50



WALL FIXING

Material: AISI 304 stainless steel

Finish: /9 /15



Art.	Description	Qty
GLMBRM	With M6 mm x 60 mm screws	1 Pc

GLMFLAT

DCCFLAT



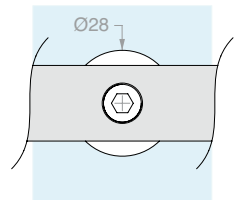
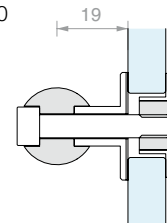
GLASS FIXING

Material: AISI 304 stainless steel

Recommended hole size Ø18 mm

Recommended tool for tightening Art. UT200

Finish: /9 /15



Art.	Description	For glass	Qty
GLMBRV	With M6 mm x 30 mm screws	From 8 to 10 mm	1 Pc

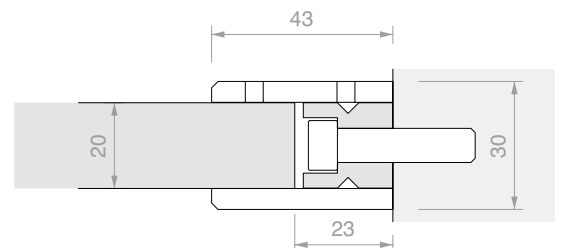
GIUMAX



SIDE WALL FIXING

Material: AISI 304 stainless steel

Finish: /9 /15

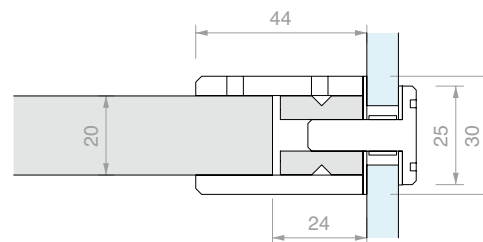


Art.	Qty
GLMDSTP	1 Pc



SIDE GLASS FIXING

Material: AISI 304 stainless steel
 Recommended hole size Ø15 mm
 Recommended tool for tightening Art. UT200
 Finish: /9 /15

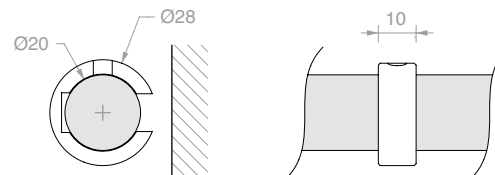


Art.	For glass	Qty
GLMDSTV	From 8 to 15 mm	1 Pc



END STOP

Material: AISI 304 stainless steel
 Finish: /9 /15

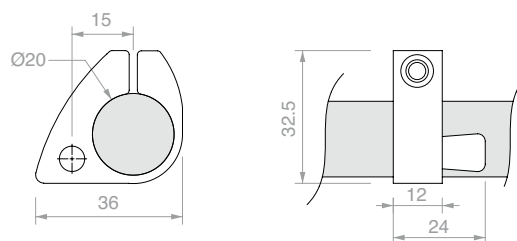


Art.	Qty
GLM3020	1 Pc



OVAL END STOP WITH RUBBER BUMPER

Material: AISI 304 stainless steel
 Finish: /9 /15

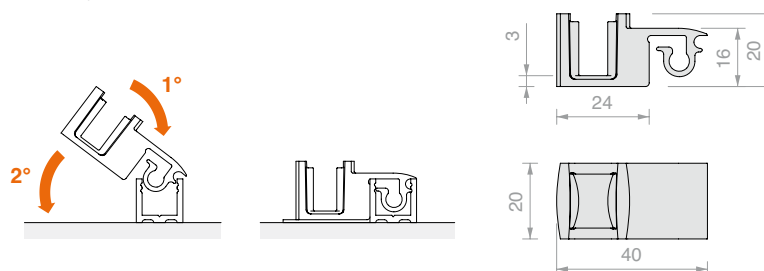


Art.	Qty
GLM3023	1 Pc



SNAP-ON FLOOR GUIDE FOR GLASS WITH PROFILE

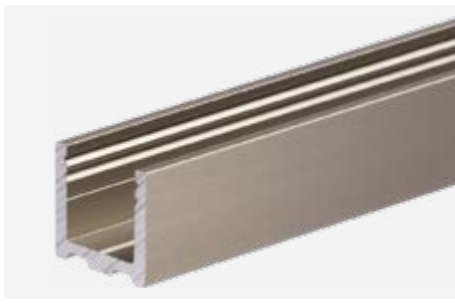
Material: Zamak
 Compatible with aluminium profiles in the PBD and LMU series
 Finish: /1 /24



Art.	For glass	Qty
DCC218	8 mm	1 Pc
DCC220	10 mm	1 Pc



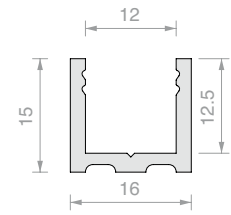
GOCCIA 35



U-SHAPED PROFILE PBD3183

Material: Aluminium
Finish: /6 /88 /91 /97

Art.	Length	Qty
PBD3183.150	1498 mm	1 Pc
PBD3183.220	2200 mm	1 Pc
PBD3183	3000 mm	1 Pc



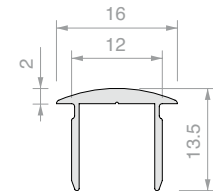
GOCCIA 50



ROUNDED UPPER PROFILE PBD3184

Material: Aluminium
Finish: /6 /88 /91 /97

Art.	Length	Qty
PBD3184.100	992 mm	1 Pc
PBD3184.150	1498 mm	1 Pc
PBD3184	3000 mm	1 Pc



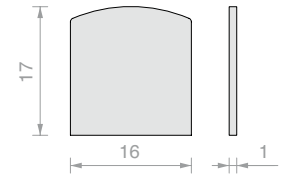
GLMFLAT



ROUNDED CAP PBD

Material: Aluminium
Finish: /6 /88 /91 /97

Art.	Qty
PBDTP	1 Pc



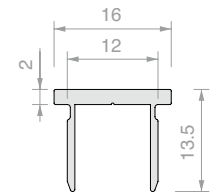
DCCFLAT



FLAT UPPER PROFILE PBD3186

Material: Aluminium
Finish: /6 /88 /91 /97

Art.	Length	Qty
PBD3186.100	992 mm	1 Pc
PBD3186.150	1498 mm	1 Pc
PBD3186	3000 mm	1 Pc



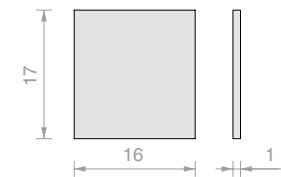
GIUMAX



PBD FLAT CAP

Material: Aluminium
Finish: /6 /88 /91 /97

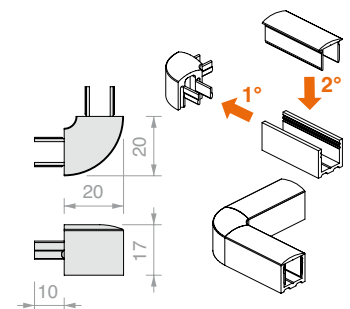
Art.	Qty
PBD86TP	1 Pc



CORNER JOINT FOR PROFILE

Material: Zamak
Compatible with aluminium profiles in the PBD and LMU series
For PBD3184 upper profile
Finish: /1 /6 /24 /97

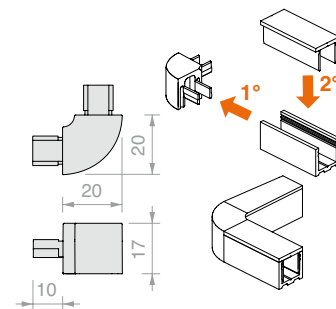
Art.	Qty
DCC90	1 Pc





FLAT CORNER JOINT FOR PROFILE

Material: Zamak
 Compatible with aluminium profiles in the PBD and LMU series
 For PBD3186 upper profile
 Finish: /1 /6 /24 /97



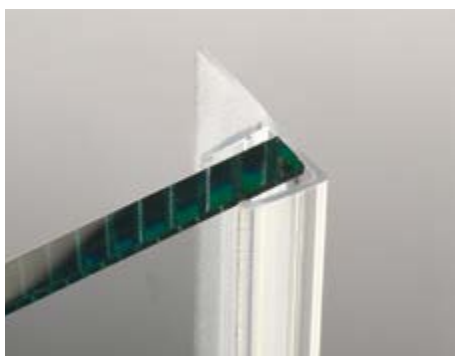
Art.	Qty
DCC90SQ	1 Pc



GLASS HOLDER GASKET

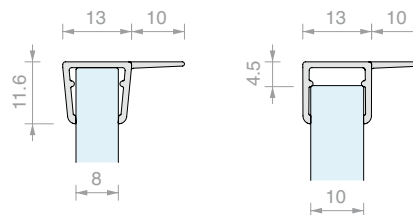
Material: PVC

Art.	Thickness	Colour	Qty	Art.	Thickness	Colour	Qty
GTUP2	2	Transparent	1 m	GTUP5G	5	Embossed	1 m
GTUP3	3	Transparent	1 m	GTUP6G	6	Embossed	1 m
GTUP4	4	Transparent	1 m	GTUP2N	2	Black	1 m
GTUP5	5	Transparent	1 m	GTUP3N	3	Black	1 m
GTUP6	6	Transparent	1 m	GTUP4N	4	Black	1 m
GTUP2G	2	Embossed	1 m	GTUP5N	5	Black	1 m
GTUP3G	3	Embossed	1 m	GTUP6N	6	Black	1 m
GTUP4G	4	Embossed	1 m				



GASKET WITH SHORT SIDE LIP

Material: Co-extruded rigid and soft PVC
 Fungicide to prevent mould from forming
 Colour: transparent, embossed lip

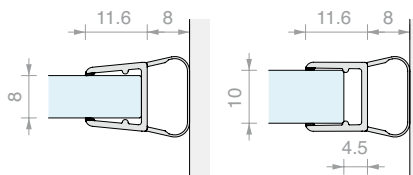


Art.	Length	For glass	Qty
GM01410	2000 mm	From 8 to 10 mm	1 Pc
GM0141022	2200 mm	From 8 to 10 mm	1 Pc
GM0141025	2500 mm	From 8 to 10 mm	1 Pc



BALLOON GASKET

Material: Co-extruded rigid and soft PVC - Resistant to UV rays
 Colour: transparent/*black, transparent balloon

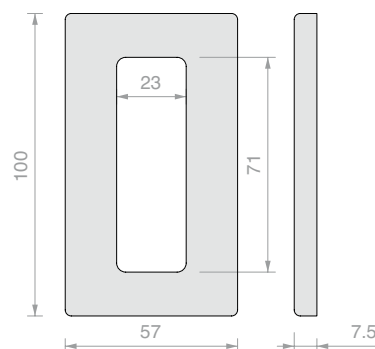


Art.	Length	For glass	Qty
GM06	2000 mm	From 8 to 10 mm	1 Pc
GM0622	2200 mm	From 8 to 10 mm	1 Pc
GM0622NR*	2200 mm	From 8 to 10 mm	1 Pc
GM0625	2500 mm	From 8 to 10 mm	1 Pc
GM0625NR*	2500 mm	From 8 to 10 mm	1 Pc
GM063000	3000 mm	From 8 to 10 mm	1 Pc
GM063000NR*	3000 mm	From 8 to 10 mm	1 Pc



HANDLE WITH VHB FIXING

Material: AISI 304 steel
 Finish: /8 /15



Art.	Qty
HAND10057VHB	1 Pc

HINGED SHOWERS

GOCCIA 35

GOCCIA 50

GLMFLAT

DCCFLAT

GIUMAX



NEW



HINGES DQSG
Page 148



SQUARE KITS
Page 160



SQUARE ACCESSORIES
Page 203



CHD KITS
Page 246



CHD ACCESSORIES
Page 277



CER KITS
Page 308



CER ACCESSORIES
Page 335

NEW



PIVOT SHOWER KIT
Page 352

DQSG **NEW**

Design

The new **DQSG** selection marks a evolution in the SQUARE series: a more modern, essential and elegant design, perfectly harmonised with the rest of the accessories in the range.

A hinge that enhances the aesthetics of the shower environment without compromise, ensuring stylistic continuity and maximum design freedom thanks to new-generation technical solutions.

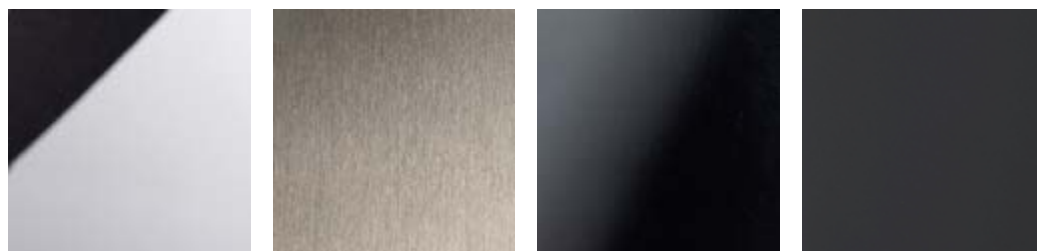
Designed to enhance the quality of every hinged door, the series is available in **two versions**, calibrated according to the weight of the door:

- Up to **40 kg** (6-8 mm)
- Up to **56 kg** (8-12 mm)

Three configurations are available for each variant:

- Wall-mounting with **adjustable snap**
- Wall-mounting with **PIVOT lifting system**
- **Glass-to-glass 180°** with adjustable snap



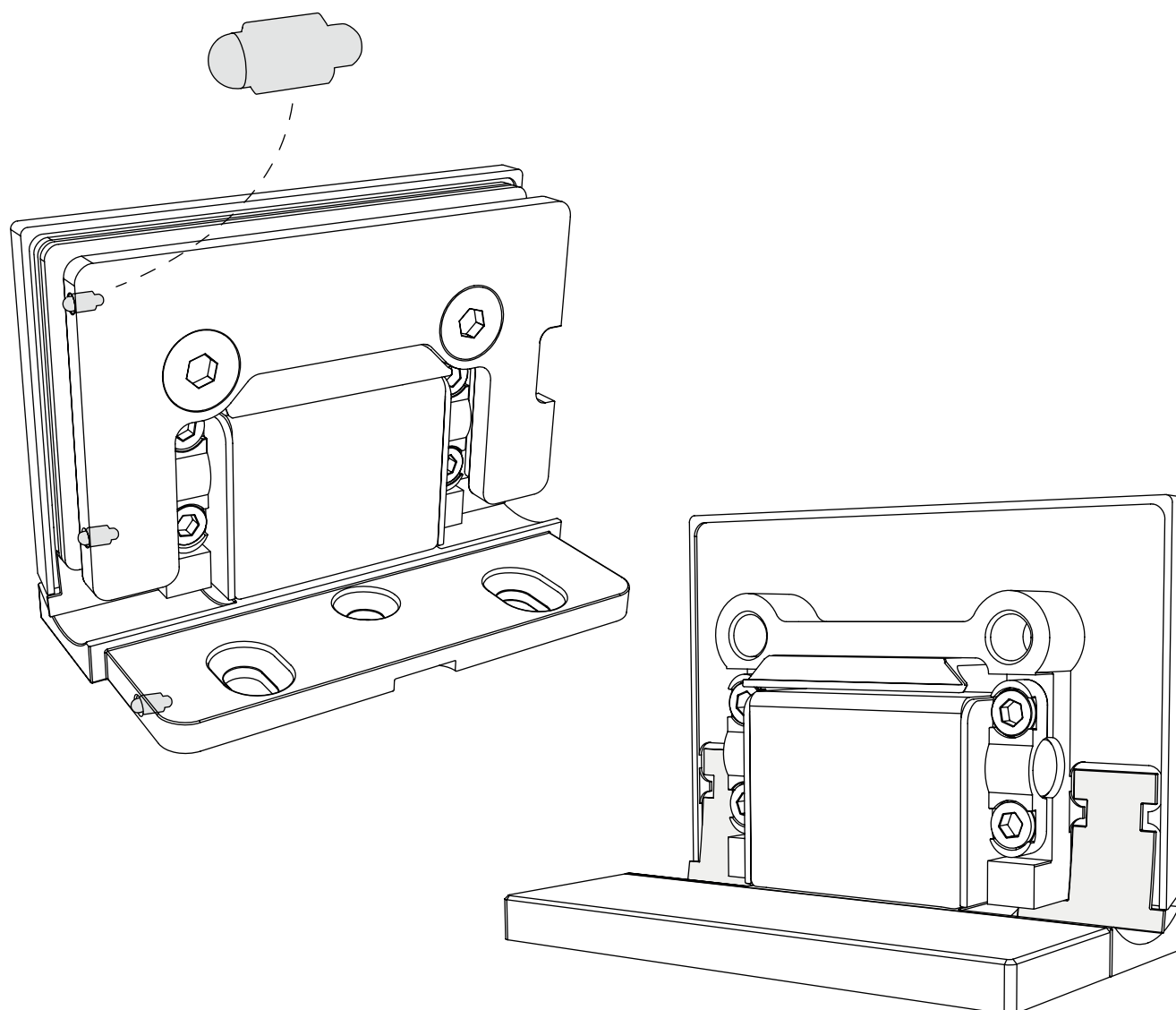


/1
Chrome

/24
Brushed steel effect

/73
Polished black nickel

/R2
RAL9005 matt black



The evolution of the SQUARE series

- **Even more minimalist and uniform design**, thanks to the flat surface and the absence of visible screws
 - **Improved water tightness** with cover-seal also near to the pin
- **Easier installation** and quicker adjustments ($\pm 10^\circ$ and pivot system with lift)
 - **New polished black nickel finish** to increase aesthetic possibilities, also available on a selection of accessories (knobs, stabilizer bars, clamps)
- **Even smaller spaces and distances** for a more elegant and contemporary visual impact

DQSG

Main advantages

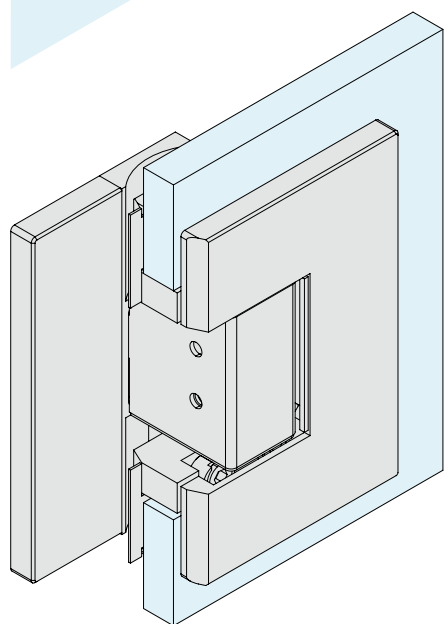
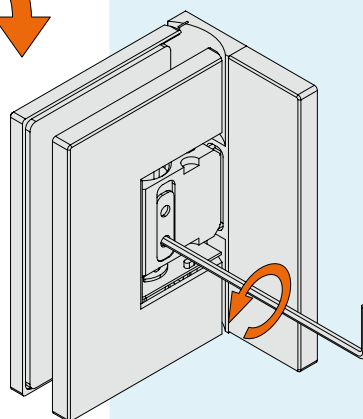
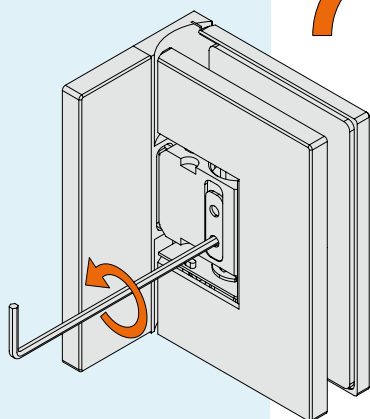
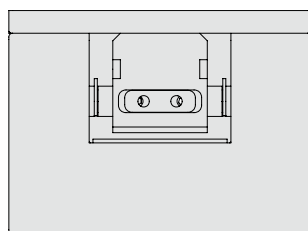
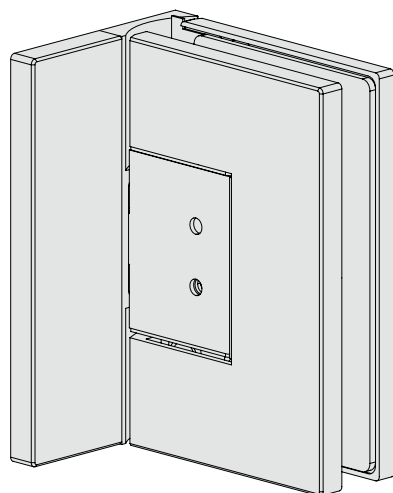
- **Perfect flat external surface** with square pin > cleaner and top of the line aesthetics
- **Reduced distances** from the wall and **smaller spaces** > more elegance and visual harmony
- **Cover-seal** for a **better watertightness** near the pin
- **Snap-on cover** with no visible screws or grub screws > maximum design
- **Closing adjustment $\pm 10^\circ$**
- **Stainless steel** mechanics and **brass** body for strength and reliability
- New exclusive and contemporary **polished black nickel finish**



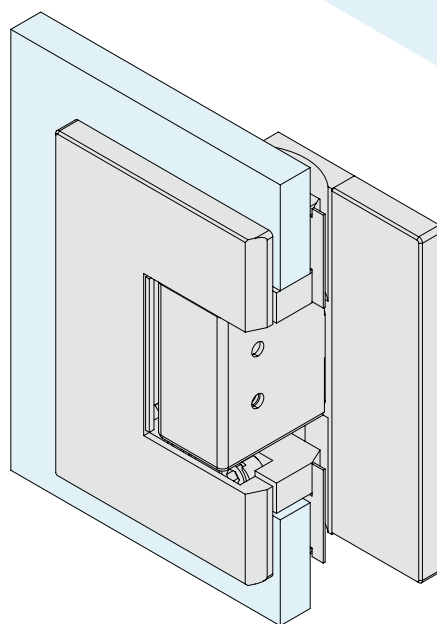
DQSG

Pivot versions

With **innovative lifting system on opening (+5 mm)**, reversible right/left



+5 mm



+5 mm



GOCCIA 35

GOCCIA 50

GLMFLAT

DCCFLAT

GIUMAX

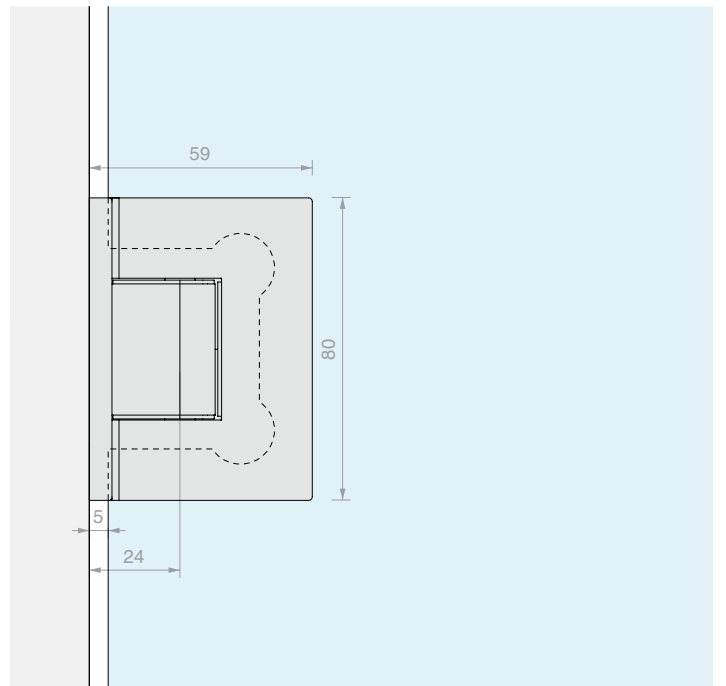
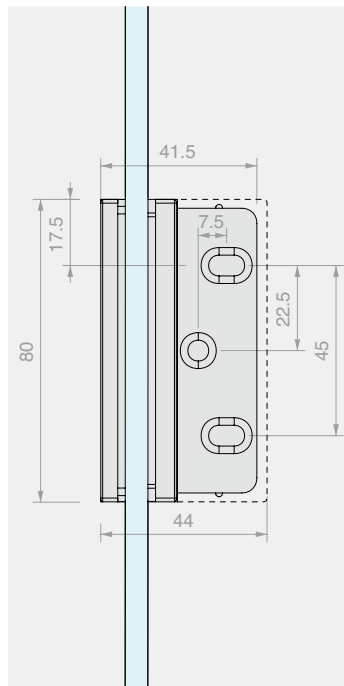
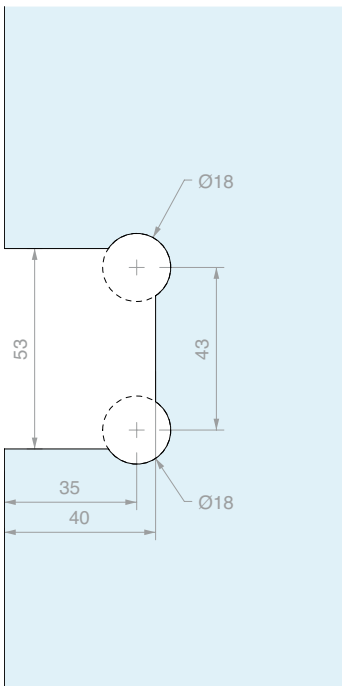
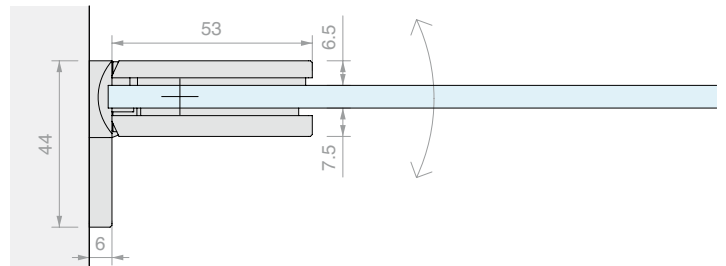
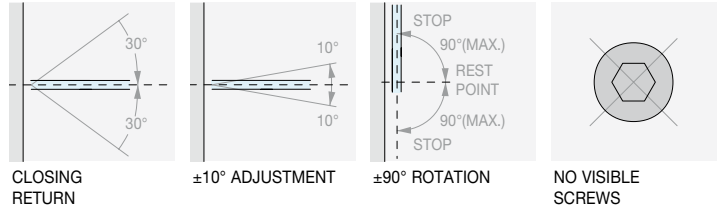
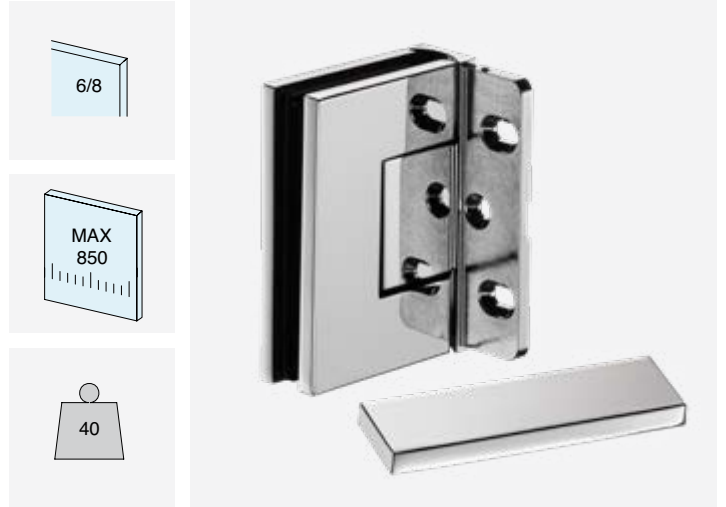
DQSG SERIES



WALL/GLASS ADJUSTABLE SIDE HINGE

Material: Brass

Finish: /1 /24 /73 /R2



Art. **DQ30SGCOV**

For glass
From 6 to 8 mm

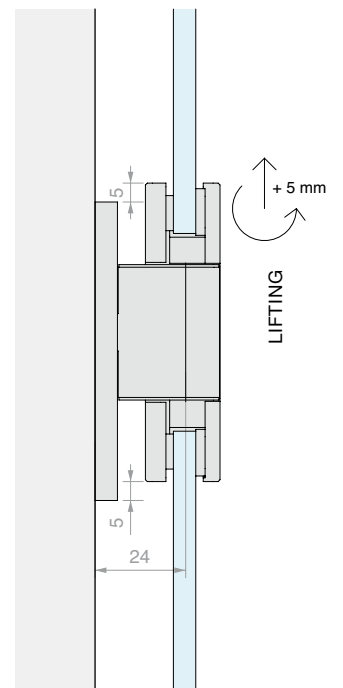
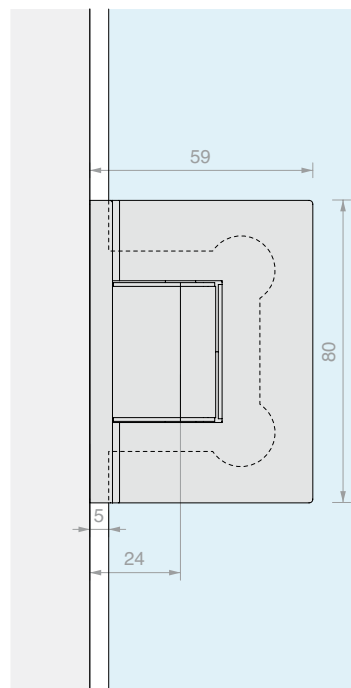
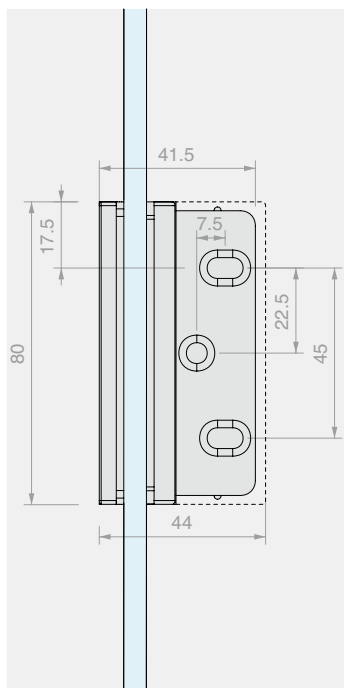
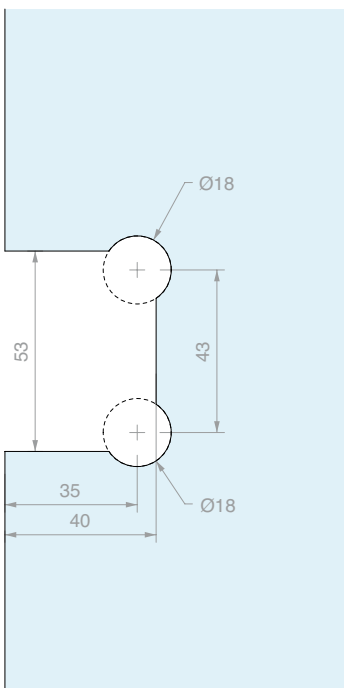
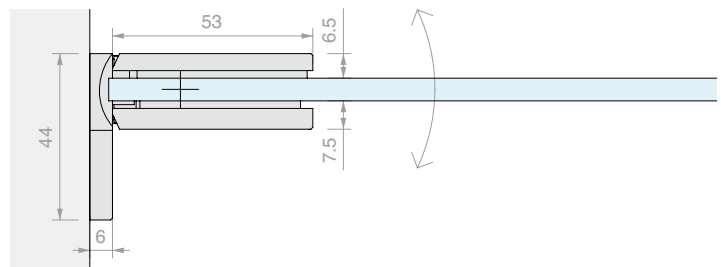
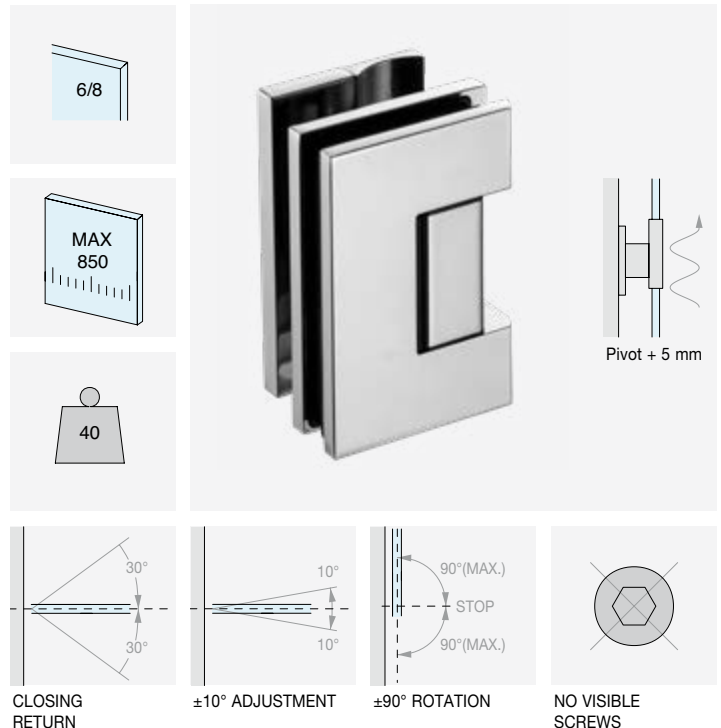
Qty
1 Pc



WALL/GLASS ADJUSTABLE SIDE PIVOT HINGE

Material: Brass

Finish: /1 /24 /73 /R2



Art.
DQ30SGPVT

For glass
From 6 to 8 mm

Qty
1 Pc



GOCCIA 35

GOCCIA 50

GLMFLAT

DCCFLAT

GIUMAX

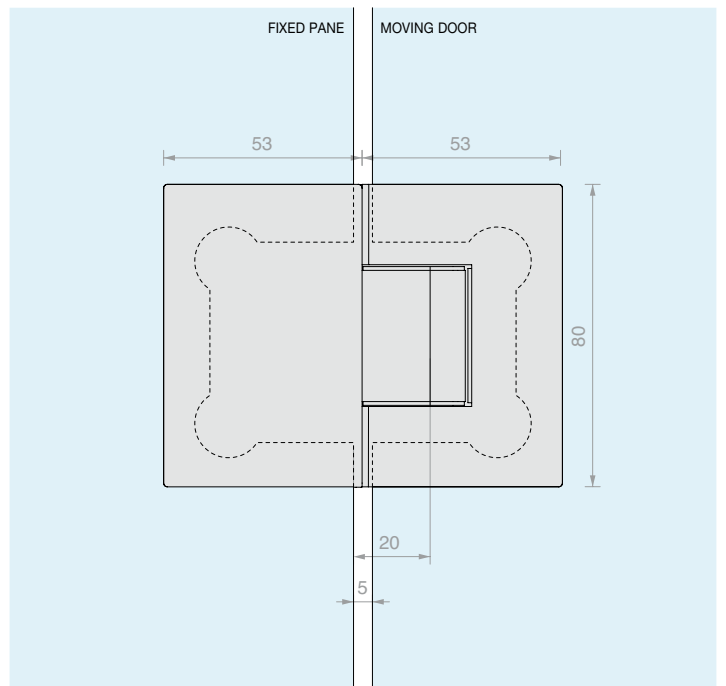
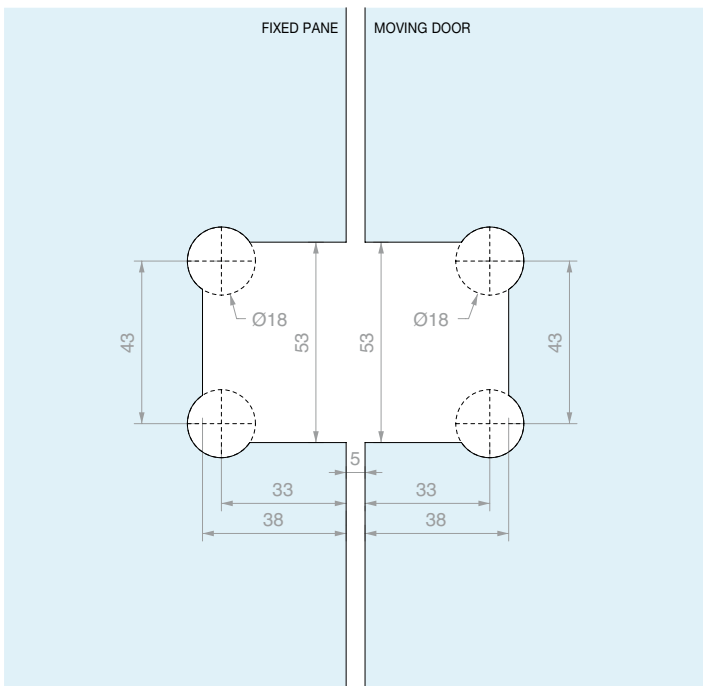
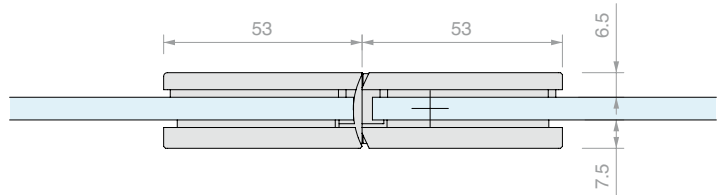
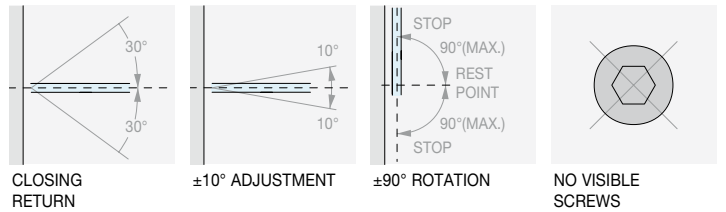
DQSG SERIES



GLASS/GLASS ADJUSTABLE IN-LINE HINGE

Material: Brass

Finish: /1 /24 /73 /R2



Art. **DQ380SG**

For glass
From 6 to 8 mm

Qty
1 Pc





GOCCIA 35

GOCCIA 50

GLMFLAT

DCCFLAT

GIUMAX

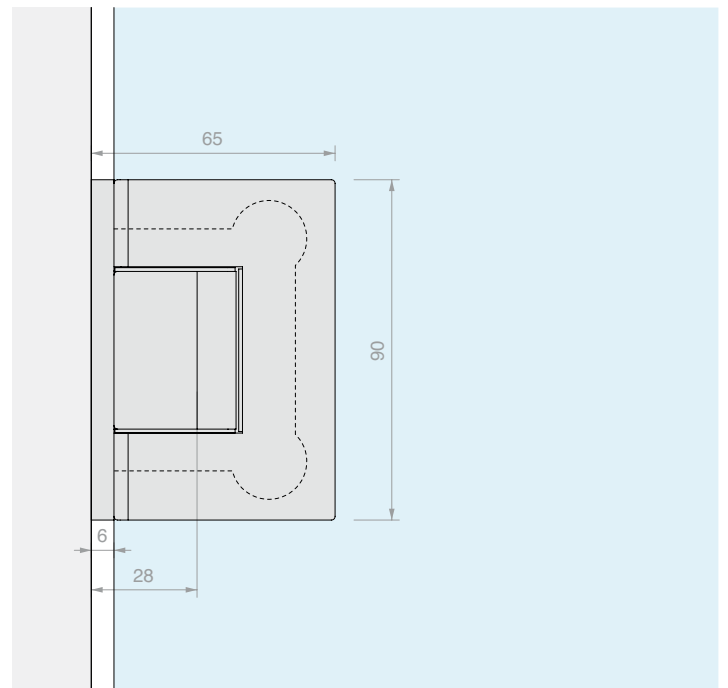
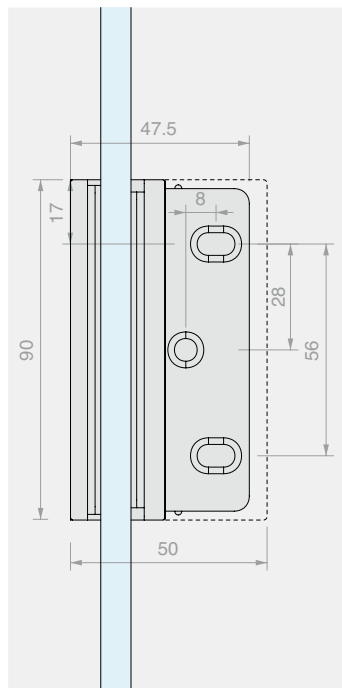
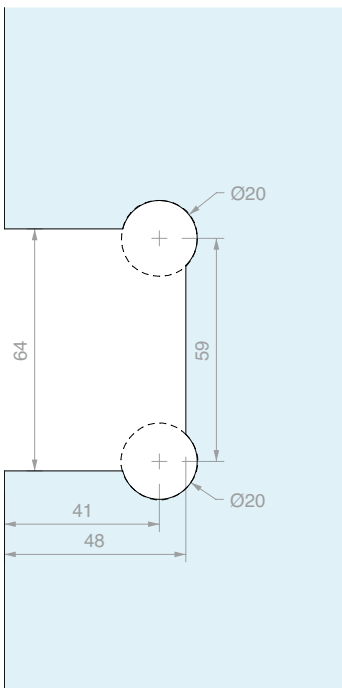
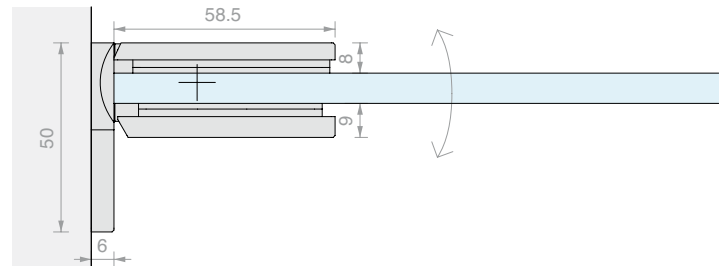
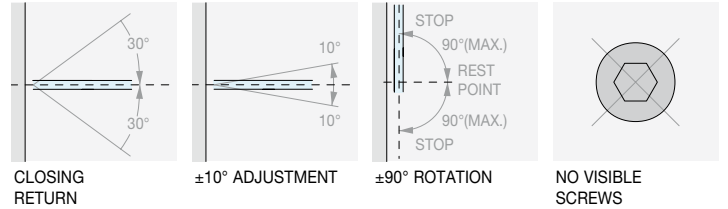
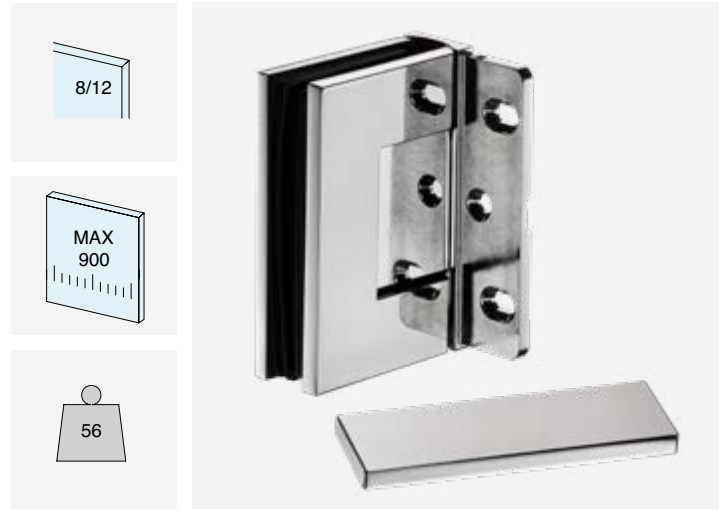
DQSG SERIES



WALL/GLASS ADJUSTABLE SIDE HINGE

Material: Brass

Finish: /1 /24 /73 /R2



Art. **DQ40SGCOV**

For glass
From 8 to 12 mm

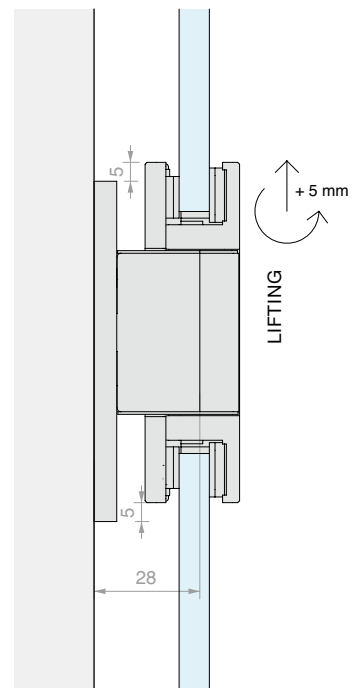
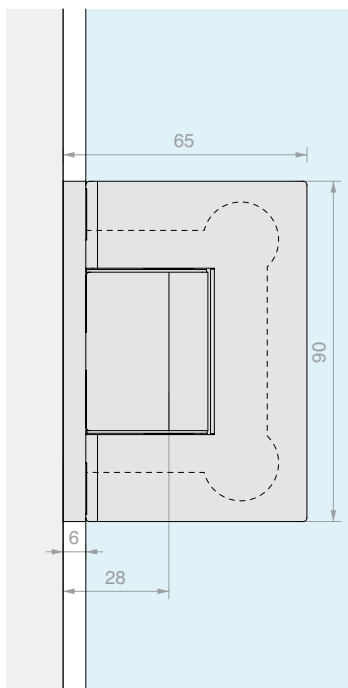
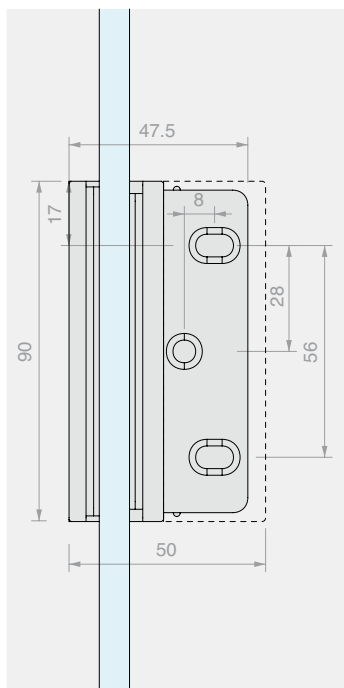
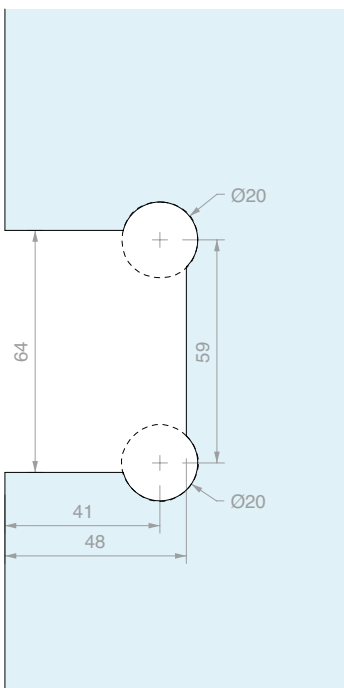
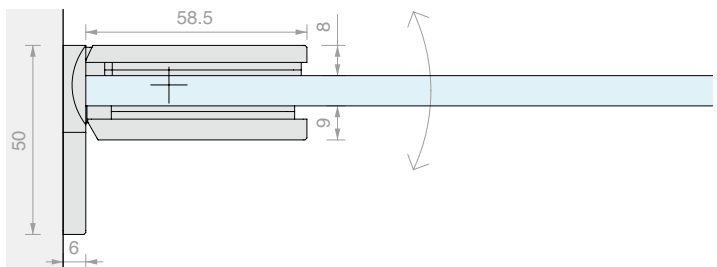
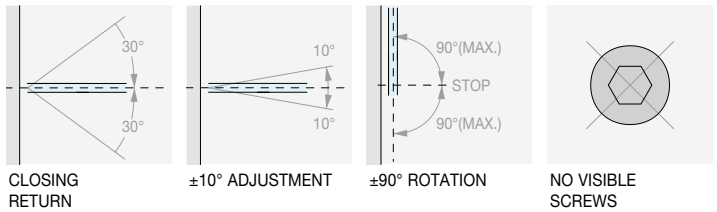
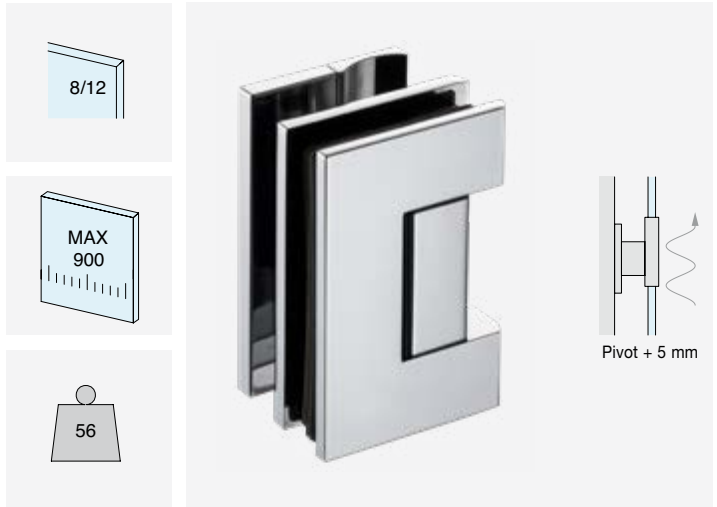
Qty
1 Pc



WALL/GLASS ADJUSTABLE SIDE PIVOT HINGE

Material: Brass

Finish: /1 /24 /73 /R2



Art.
DQ40SGPVT

For glass
From 8 to 12 mm

Qty
1 Pc



GOCCIA 35

GOCCIA 50

GLMFLAT

DCCFLAT

GIUMAX

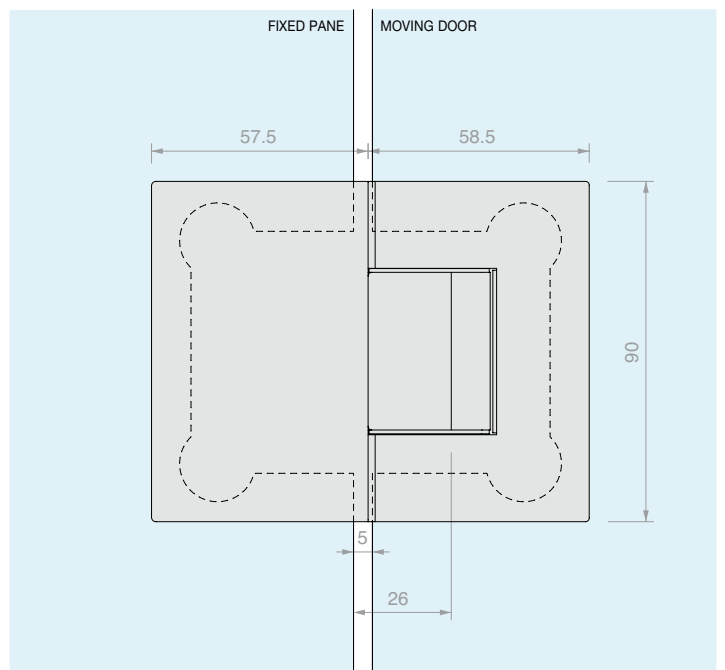
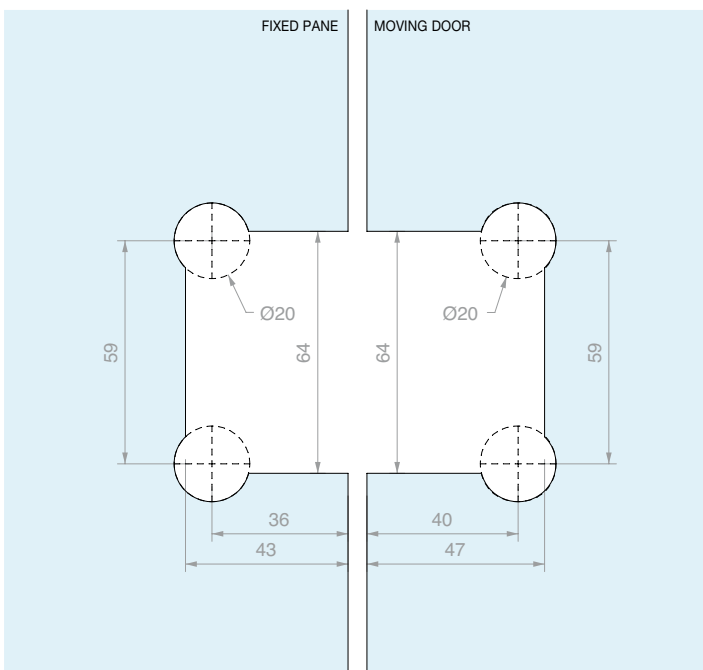
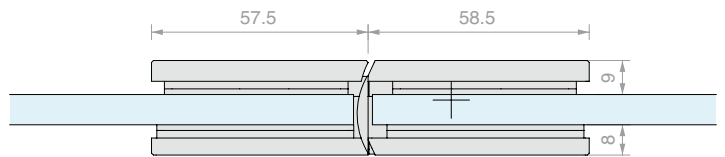
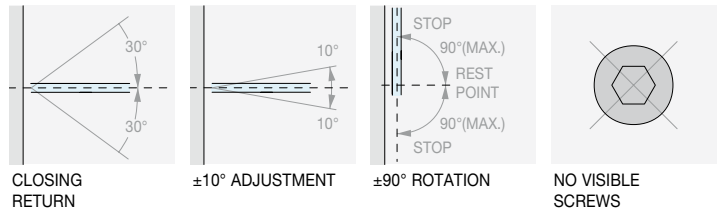
DQSG SERIES



GLASS/GLASS ADJUSTABLE IN-LINE HINGE

Material: Brass

Finish: /1 /24 /73 /R2



Art. **DQ480SG**

For glass
From 8 to 12 mm

Qty
1 Pc



SQUARE

Design

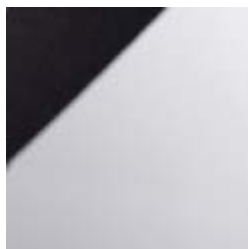
Aesthetics, technology, and functionality.

This is what makes the SQUARE series one of the highest-performance product lines.

The clean design with its square lines enhances every application requiring the utmost transparency and cleanliness. The different finishes and TÜV mark make each creation unique and reliable.

Suitable for glass thicknesses from 6 to 12 mm, the SQUARE range offers standard configurations as well as numerous opportunities for customisation thanks to the hinges, locks, knobs, clamps, and stabilizer bars, which can be combined to adapt to any type of request.





/1
Chrome



/2
Gold



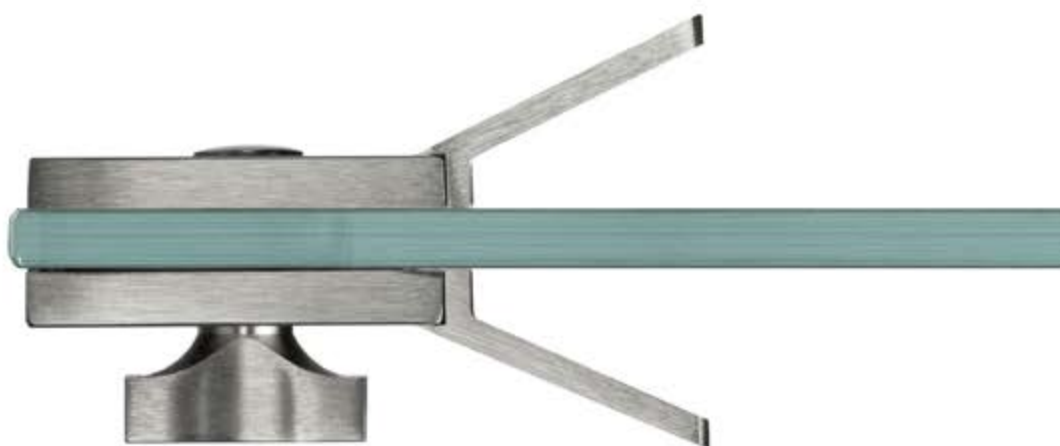
/4
Bronze



/24
Brushed steel effect



/R2
RAL9005 matt black



SQUARE

DQ Hinges

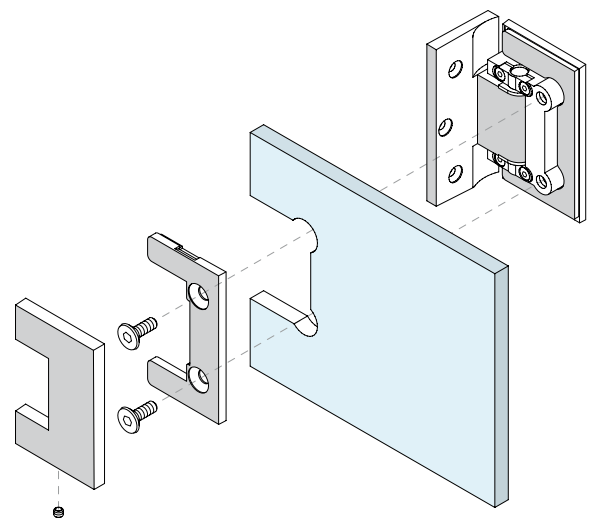
DQ hinges are the functional heart of the HD SQUARE SERIES.
The hinge body is made of cast brass, while the components are mechanically processed.

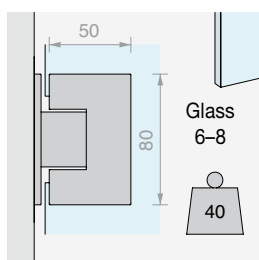
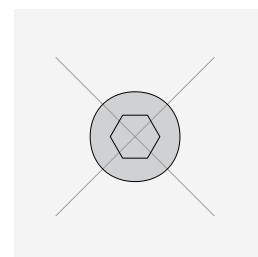
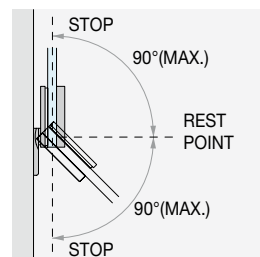
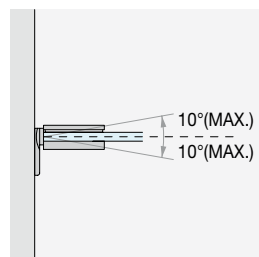
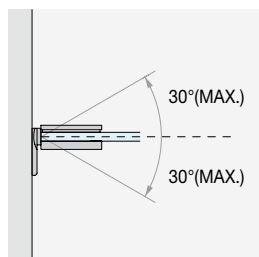
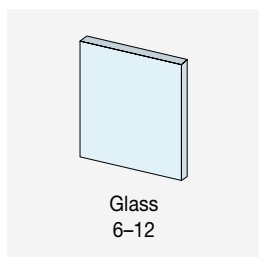


Cap on one side to cover the screws fixing the hinge on the glass.



Adhesive seals to facilitate positioning of the hinge on the glass.



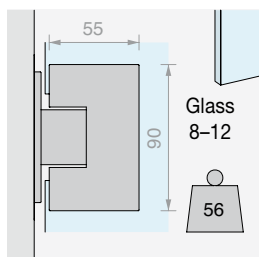


CLOSING RETURN
Automatic return to the zero position in the last 30°.

CORRECTION 10°
Correction of the door angle $\pm 10^\circ$ upon installation.

ANGLE OF ROTATION
Angle of rotation from $+90^\circ$ to -90° .
With rest point at 0° and stops at -90° and $+90^\circ$.

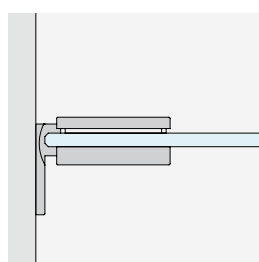
NO VISIBLE SCREWS



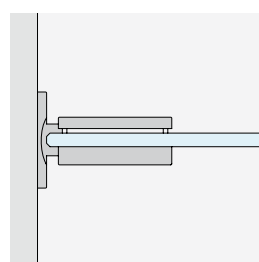
TWO VERSIONS FOR GLASS WITH THICKNESS FROM 6 TO 12 mm
The HD SQUARE SERIES can be used for glass with thickness from 6 to 12 mm thanks to hinges and locks in two versions, small and large. Depending on the chosen glass, it is possible to select the related hinge.



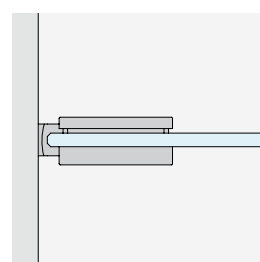
Adhesive finishing screw-cover cap



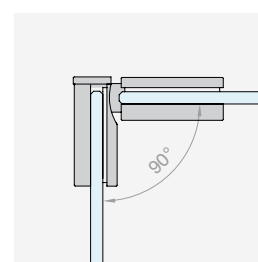
WALL/GLASS
with side plate



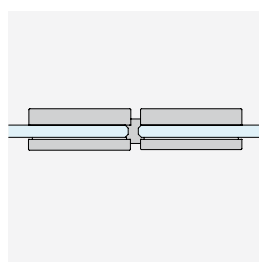
WALL/GLASS
with central plate



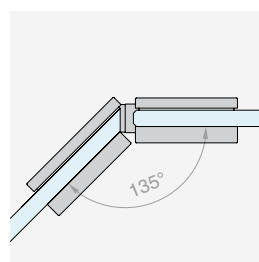
WALL/GLASS
for narrow jambs



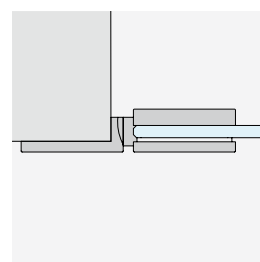
GLASS/GLASS
90° corner



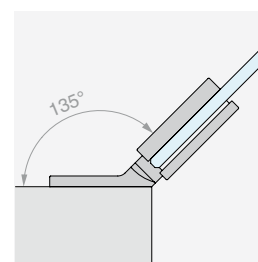
GLASS/GLASS
in-line



GLASS/GLASS
135° corner



WALL/GLASS
with in-line plate



WALL/GLASS
with plate at 135°

GOCCIA 35

GOCCIA 50

GLMFLAT

DCCFLAT

GIUMAX

DQSG SERIES

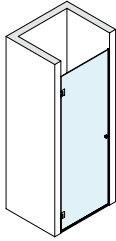
SQUARE SERIES



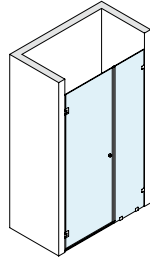
SQUARE

Kits

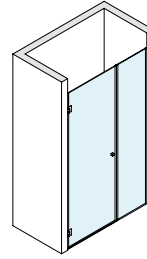
CONFIGURATIONS WITH HINGED DOORS



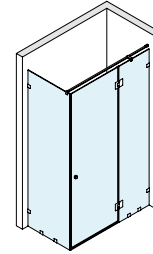
Page 167



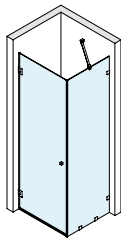
Page 171



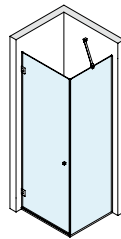
Page 175



Page 179

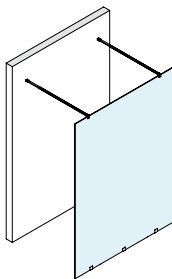


Page 183

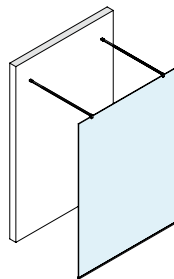


Page 187

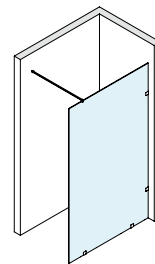
WALK-IN CONFIGURATIONS



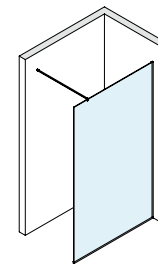
Page 191



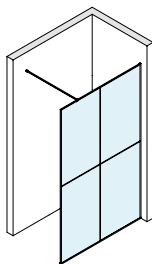
Page 193



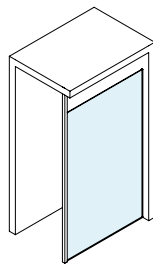
Page 195



Page 197



Page 199



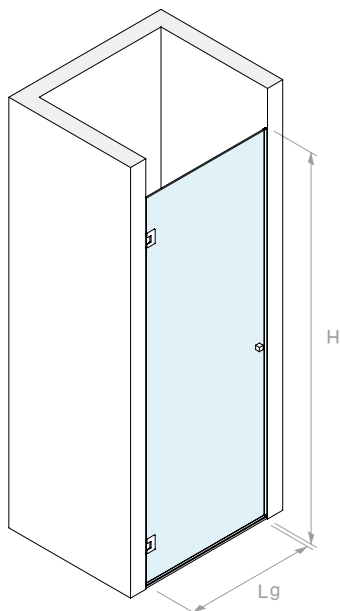
Page 201

SQUARE SERIES
DQSG SERIES
GIUMAX
DCCFLAT
GLMFLAT
GOCCIA 50
GOCCIA 35

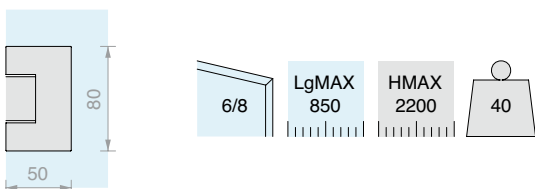


**WALL/WALL HINGED
SHOWER KIT**

Finish:     

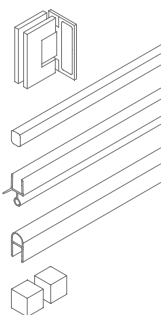


VERSION WITH HINGE **DQ30COV** 50 mm x 80 mm

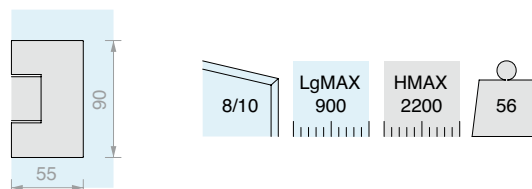


Kit comprising:

Art.	Description	Qty.
DQ30COV	Adjustable side hinge	2 Pcs
PESQ0810B.100	Water barrier profile	1 Pc
GM6010	Gasket with drip flap	1 Pc
GM62	Balloon gasket	2 Pcs
DQP2525	Pair of knobs	1 Pc

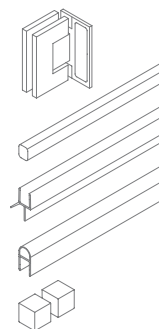


VERSION WITH HINGE **DQ40COV** 55 mm x 90 mm



Kit comprising:

Art.	Description	Qty.
DQ40COV	Adjustable side hinge	2 Pcs
PESQ0810B.100	Water barrier profile	1 Pc
GM0210	Gasket with drip flap	1 Pc
GM0622	Balloon gasket	2 Pcs
DQP2525	Pair of knobs	1 Pc



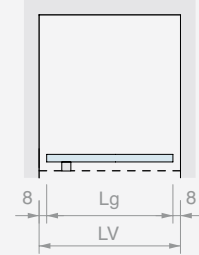
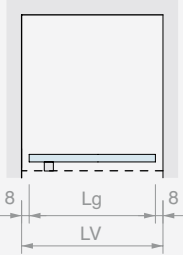
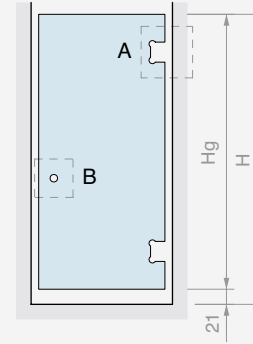
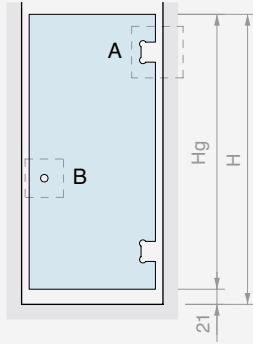
Art.	Qty.
BDSQ6801	1 Pc

Art.	Qty.
BDSQ81001	1 Pc



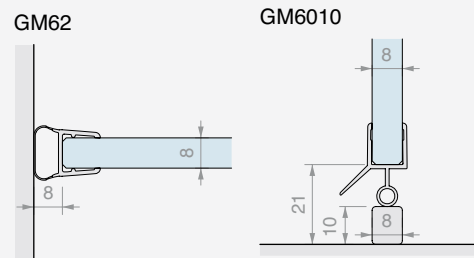
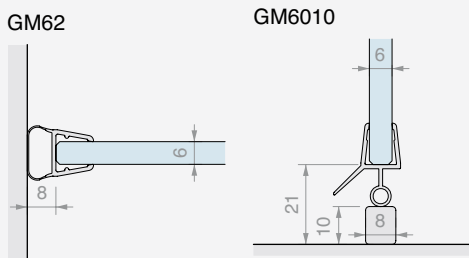
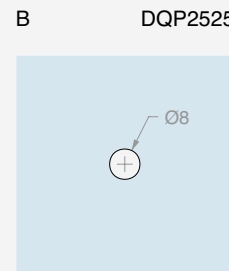
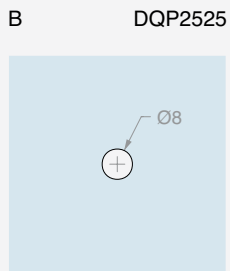
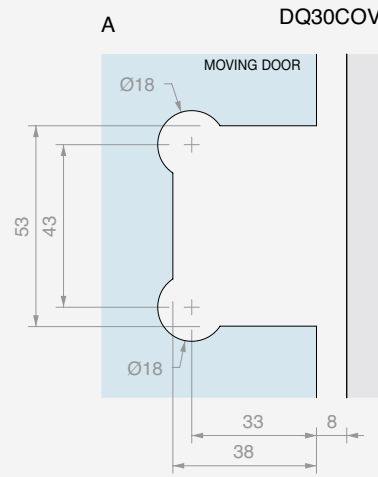
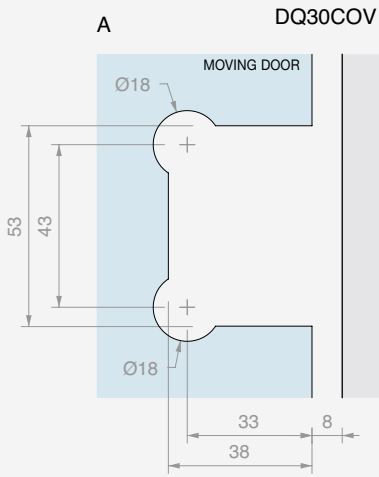
GLASS PANE DIMENSIONS

BDSQ6801



Hg = H - 21
Lg (MAX 850) = LV - 16

Hg = H - 21
Lg (MAX 850) = LV - 16

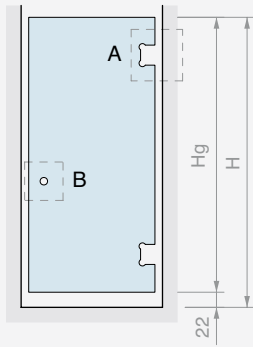


GOCCIA 35
GOCCIA 50
GLMFLAT
DCCFLAT
GIUMAX
DQSG SERIES
SQUARE SERIES

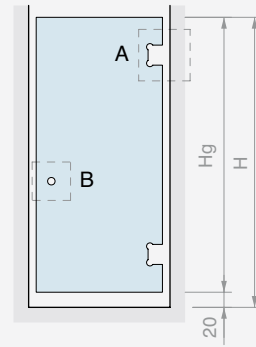
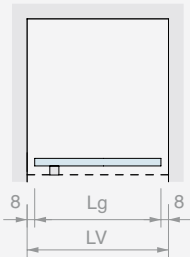


GLASS PANE DIMENSIONS

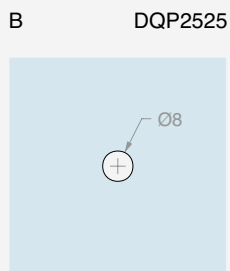
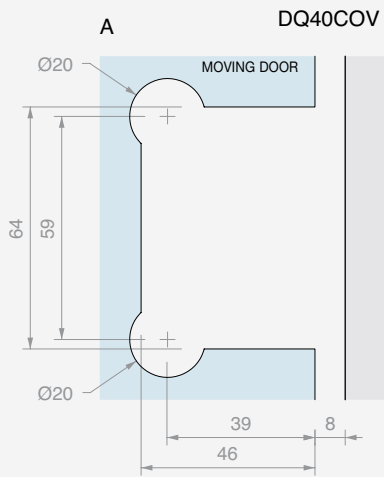
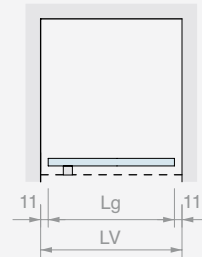
BDSQ81001



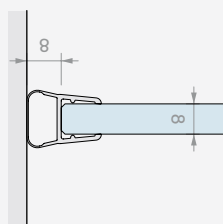
$H_g = H - 22$
 $L_g \text{ (MAX 900)} = LV - 16$



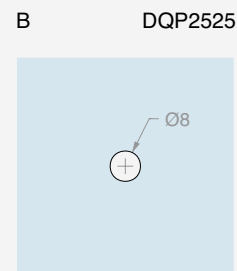
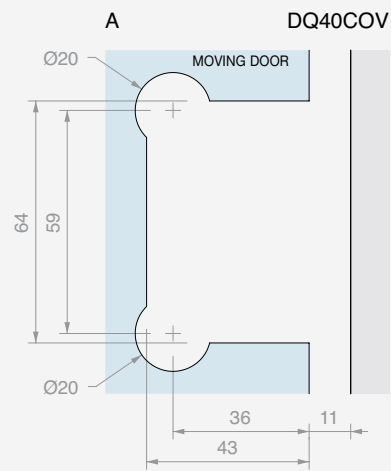
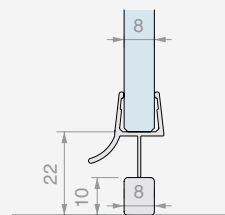
$H_g = H - 20$
 $L_g \text{ (MAX 900)} = LV - 23$



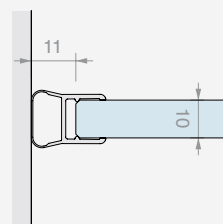
GM0622



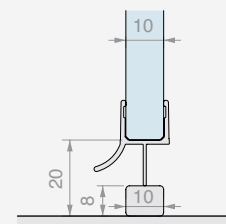
GM0210



GM0622



GM0210



GOCCIA 35

GOCCIA 50

GLMFLAT

DCCFLAT

GIUMAX

DQSG SERIES

SQUARE SERIES

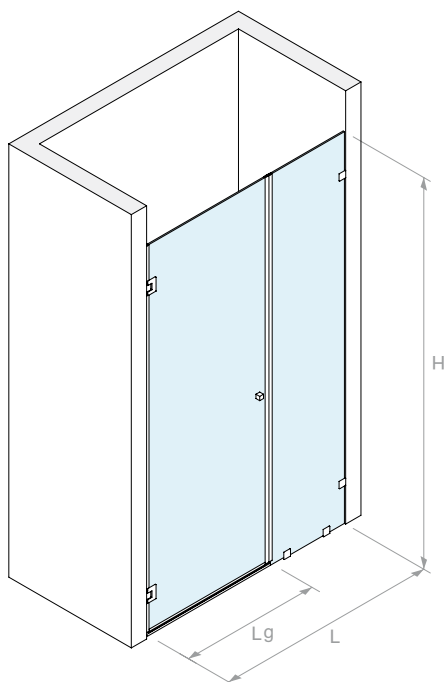
SQUARE SERIES
DQSG SERIES
GIUMAX
DCCFLAT
GLMFLAT
GOCCIA 50
GOCCIA 35





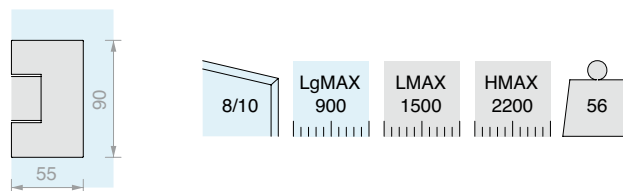
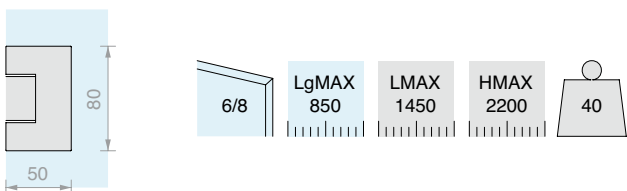
**WALL/WALL HINGED
SHOWER KIT WITH FIXED PANE AND CLAMPS**

Finish: /1 /2 /4 /24 /R2



VERSION WITH HINGE **DQ30COV** 50 mm x 80 mm

VERSION WITH HINGE **DQ40COV** 55 mm x 90 mm



Kit comprising:

Art.	Description	Qty.	
DQ30COV	Adjustable side hinge	2 Pcs	
PESQ0810B.100	Water barrier profile	1 Pc	
GM6010	Gasket with drip flap	1 Pc	
GM12SX22	Magnetic 45° gasket	1 Pc	
GM12DX22	Magnetic 45° gasket	1 Pc	
GM62	Balloon gasket	1 Pc	
DQP2525	Pair of knobs	1 Pc	
DQM41	Clamp flush to the wall	4 Pcs	
Optional			
DQA55	Jointed stabilizer bar	1 Pc	

Kit comprising:

Art.	Description	Qty.	
DQ40COV	Adjustable side hinge	2 Pcs	
PESQ0810B.100	Water barrier profile	1 Pc	
GM0210	Gasket with drip flap	1 Pc	
GM1520SX	Magnetic 45° gasket	1 Pc	
GM1520DX	Magnetic 45° gasket	1 Pc	
GM0622	Balloon gasket	1 Pc	
DQP2525	Pair of knobs	1 Pc	
DQM41	Clamp flush to the wall	4 Pcs	
Optional			
DQA55	Jointed stabilizer bar	1 Pc	

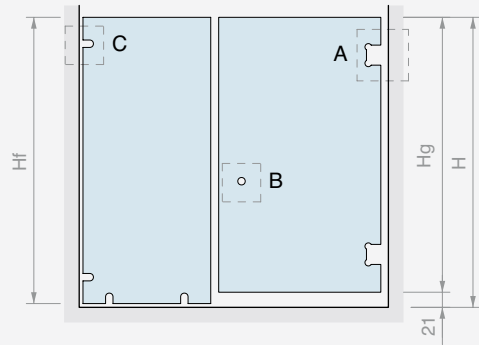
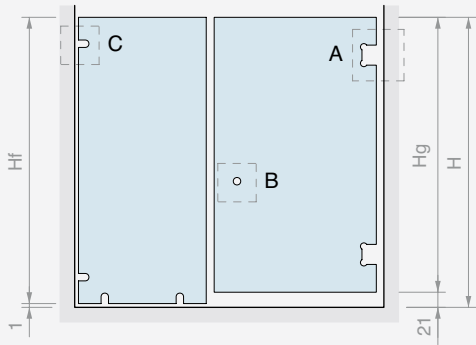
Art.	Qty.
BDSQ6803	1 Pc

Art.	Qty.
BDSQ81003	1 Pc

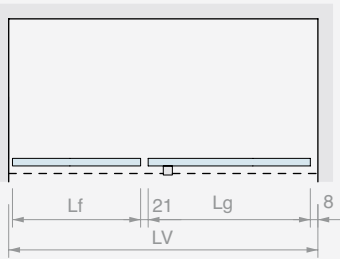


GLASS PANE DIMENSIONS

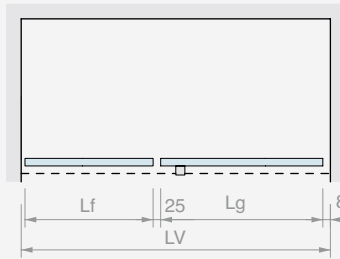
BDSQ6803



$H_f = H - 1$
 $H_g = H - 21$
 $L_g \text{ MAX } 850$
 $L_f \text{ (MAX } 600) =$
 $LV - L_g - 30$

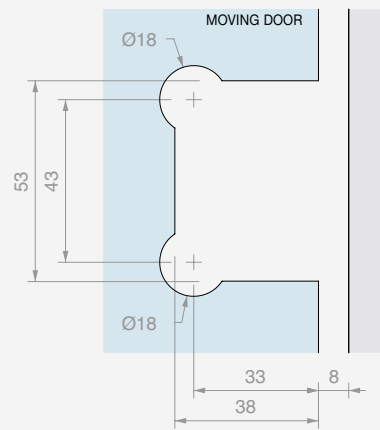
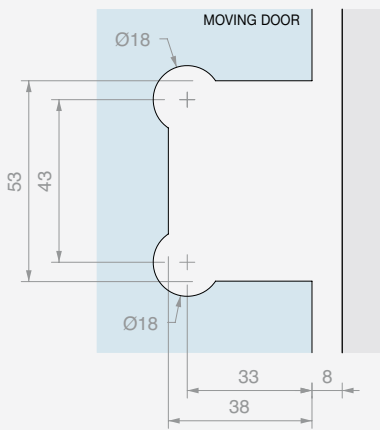


$H_f = H - 1$
 $H_g = H - 21$
 $L_g \text{ MAX } 850$
 $L_f \text{ (MAX } 600) =$
 $LV - L_g - 34$



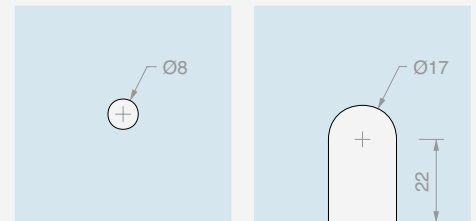
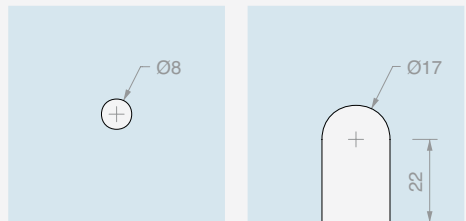
A DQ30COV

A DQ30COV



B DQP2525 C DQM41

B DQP2525 C DQM41



GM12SX22 GM12DX22

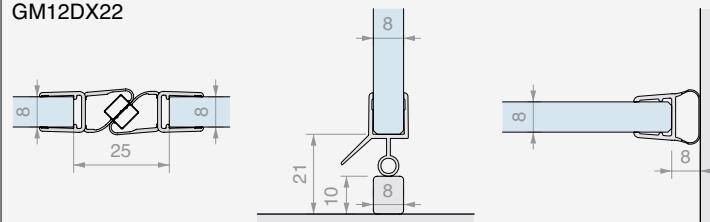
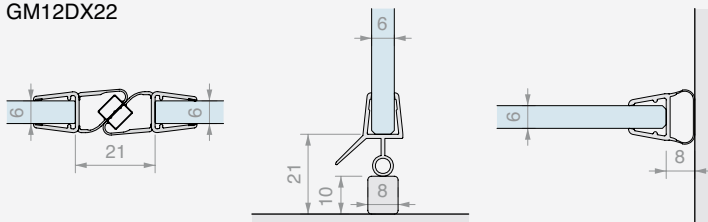
GM6010

GM62

GM12SX22 GM12DX22

GM6010

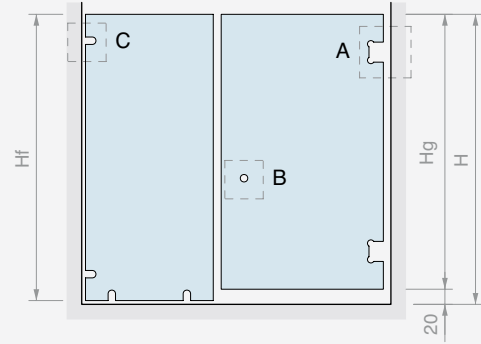
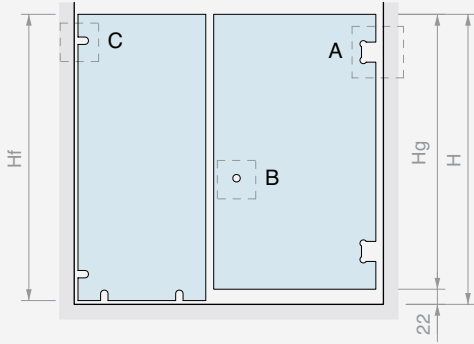
GM62





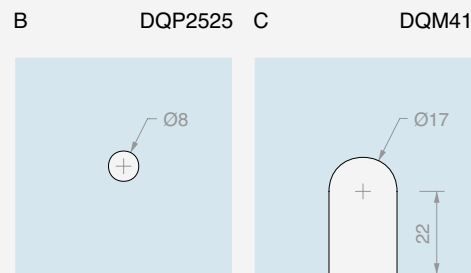
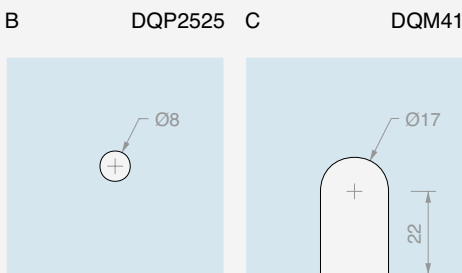
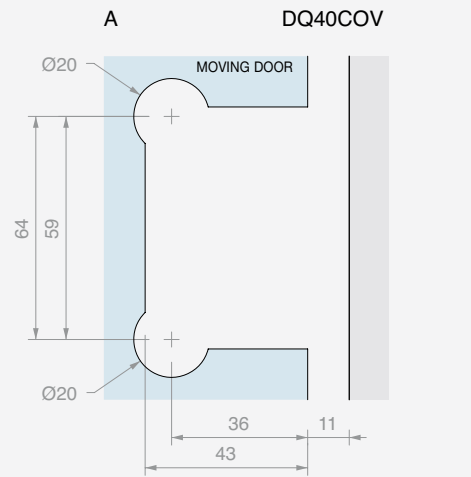
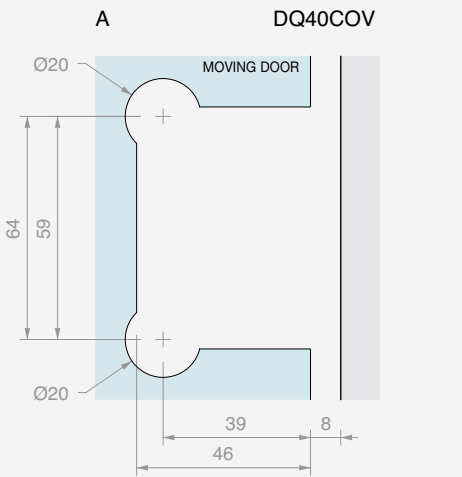
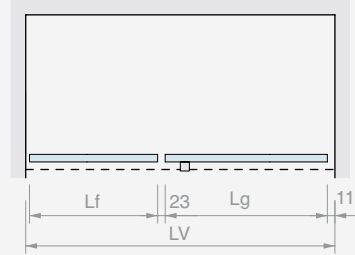
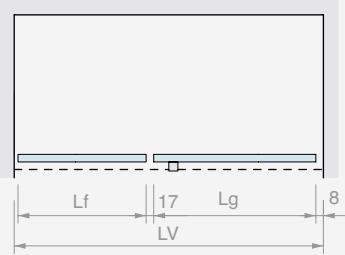
GLASS PANE DIMENSIONS

BDSQ81003



$H_f = H - 1$
 $H_g = H - 22$
 $L_g \text{ MAX } 900$
 $L_f (\text{MAX } 800) =$
 $LV - L_g - 26$

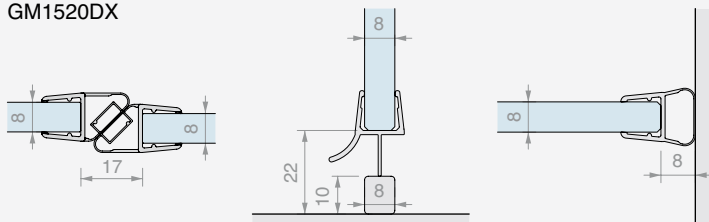
$H_f = H - 1$
 $H_g = H - 20$
 $L_g \text{ MAX } 900$
 $L_f (\text{MAX } 800) =$
 $LV - L_g - 35$



GM1520SX
GM1520DX

GM0210

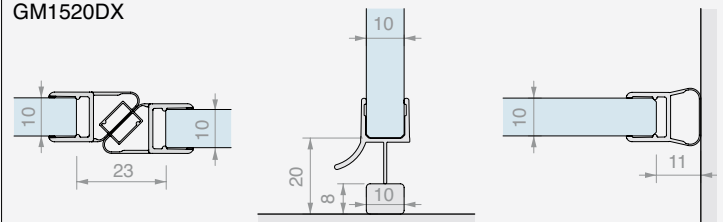
GM0622



GM1520SX
GM1520DX

GM0210

GM0622



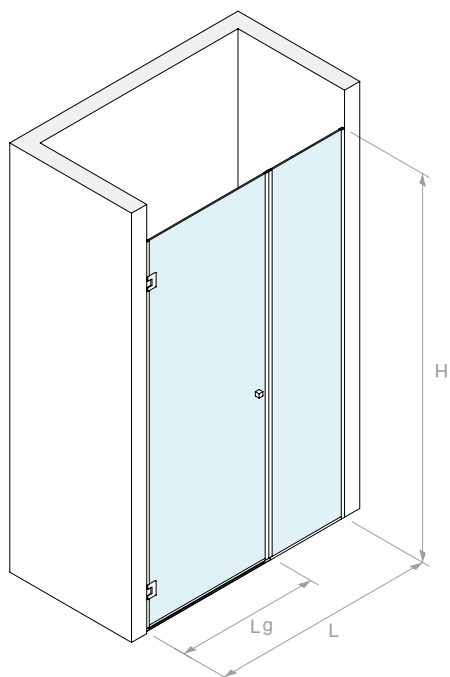
SQUARE SERIES DQSG SERIES GIUMAX DCCFLAT GLMFLAT GOCCIA 50 GOCCIA 35





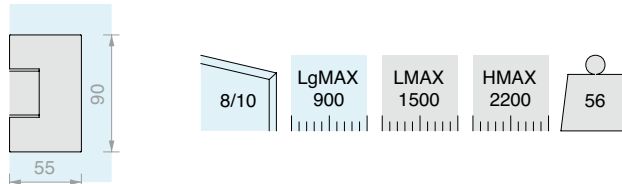
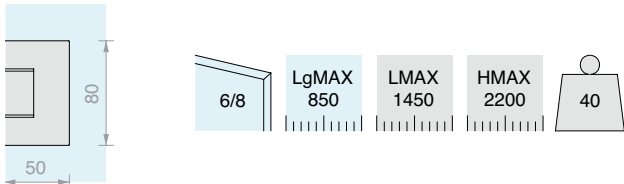
**WALL/WALL HINGED
SHOWER KIT WITH FIXED PANE AND PROFILES**

Finish: /1 /2 /4 /24 /R2



VERSION WITH HINGE **DQ30COV** 50 mm x 80 mm

VERSION WITH HINGE **DQ40COV** 55 mm x 90 mm



Kit comprising:

Kit comprising:

Art.	Description	Qty.	
DQ30COV	Adjustable side hinge	2 Pcs	
LMU20B.220	U-shaped profile	1 Pc	
LMU20B.150	U-shaped profile	1 Pc	
LMU86B.100	Flat upper profile	1 Pc	
GTUP4	Glass holder gasket	4 m	
GTUP6	Glass holder gasket	4 m	
GM6010	Gasket with drip flap	1 Pc	
GM12SX22	Magnetic 45° gasket	1 Pc	
GM12DX22	Magnetic 45° gasket	1 Pc	
GM62	Balloon gasket	1 Pc	
DQP2525	Pair of knobs	1 Pc	
Optional			
DQA55	Jointed stabilizer bar	1 Pc	

Art.	Description	Qty.	
DQ40COV	Adjustable side hinge	2 Pcs	
LMU20B.220	U-shaped profile	1 Pc	
LMU20B.150	U-shaped profile	1 Pc	
LMU86B.100	Flat upper profile	1 Pc	
GTUP4	Glass holder gasket	4 m	
GTUP2	Glass holder gasket	4 m	
GM0210	Gasket with drip flap	1 Pc	
GM1520SX	Magnetic 45° gasket	1 Pc	
GM1520DX	Magnetic 45° gasket	1 Pc	
GM0622	Balloon gasket	1 Pc	
DQP2525	Pair of knobs	1 Pc	
Optional			
DQA55	Jointed stabilizer bar	1 Pc	

Art.	Qty.
BDSQ6805	1 Pc

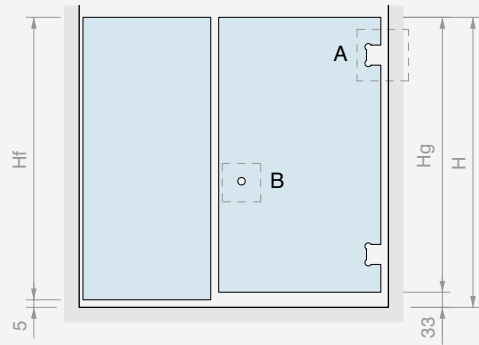
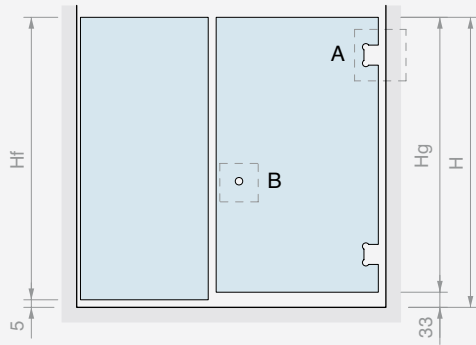
Art.	Qty.
BDSQ81005	1 Pc

GOCCIA 35
 GOCCIA 50
 GLMFLAT
 DCCFLAT
 GUMAX
 DQSG SERIES
 SQUARE SERIES



GLASS PANE DIMENSIONS

BDSQ6805

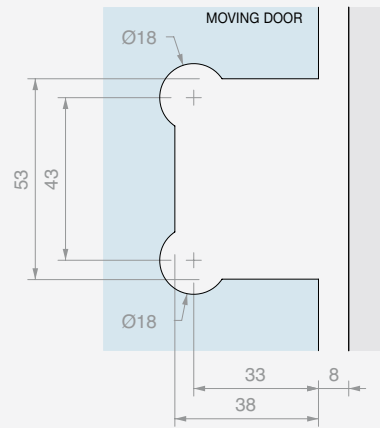
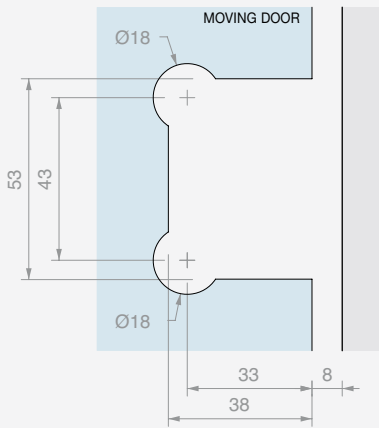


$H_f = H - 5$
 $H_g = H - 33$
 $L_g \text{ MAX } 850$
 $L_f \text{ (MAX } 600) =$
 $LV - L_g - 34$

$H_f = H - 5$
 $H_g = H - 33$
 $L_g \text{ MAX } 850$
 $L_f \text{ (MAX } 600) =$
 $LV - L_g - 38$

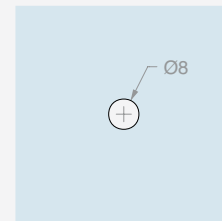
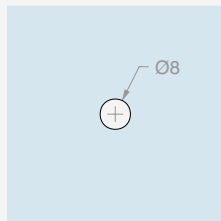
A DQ30COV

A DQ30COV



B DQP2525

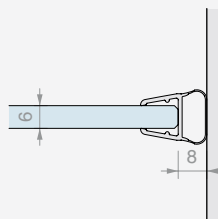
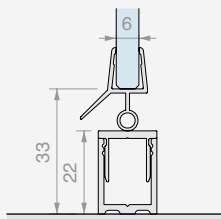
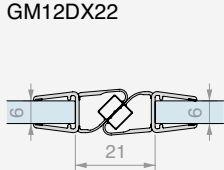
B DQP2525



GM12SX22
GM12DX22

GM6010

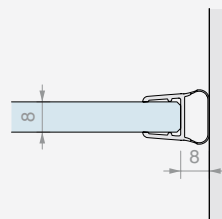
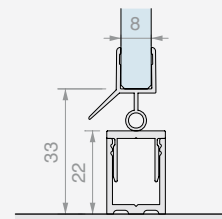
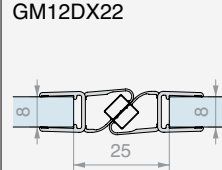
GM62



GM12SX22
GM12DX22

GM6010

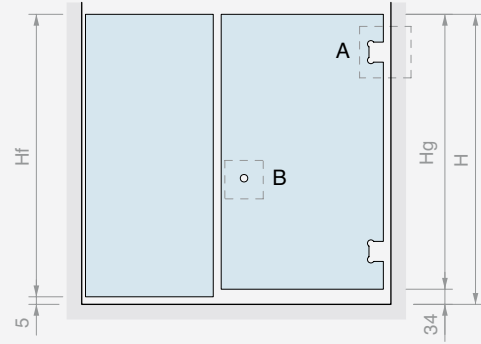
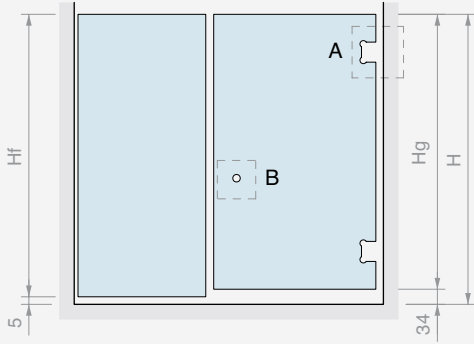
GM62





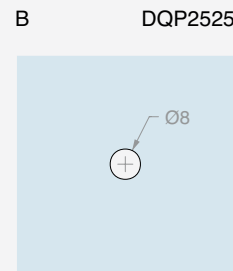
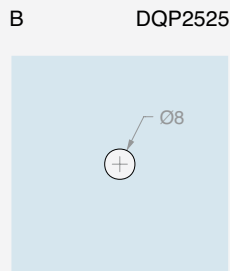
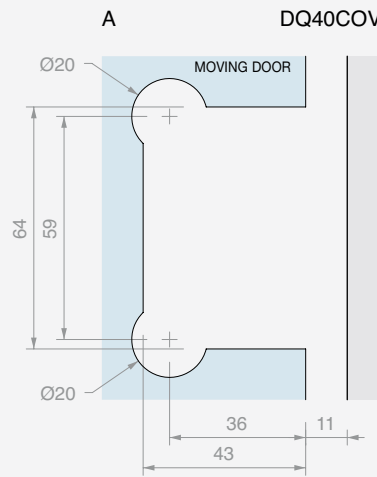
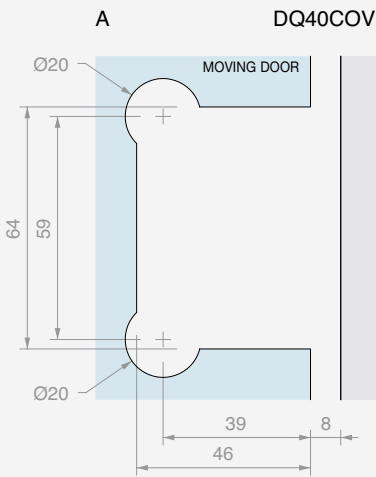
GLASS PANE DIMENSIONS

BDSQ81005

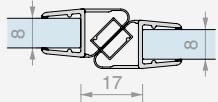


$H_f = H - 5$
 $H_g = H - 34$
 $L_g \text{ MAX } 900$
 $L_f \text{ (MAX } 600) = 5 + L_f + 17 + L_g + 8$
 $LV = L_g - 30$

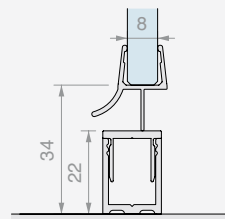
$H_f = H - 5$
 $H_g = H - 34$
 $L_g \text{ MAX } 900$
 $L_f \text{ (MAX } 600) = 5 + L_f + 23 + L_g + 11$
 $LV = L_g - 39$



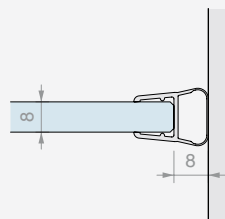
GM1520SX
GM1520DX



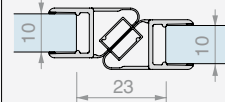
GM0210



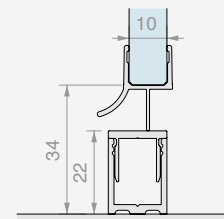
GM0622



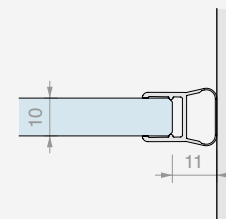
GM1520SX
GM1520DX



GM0210



GM0622

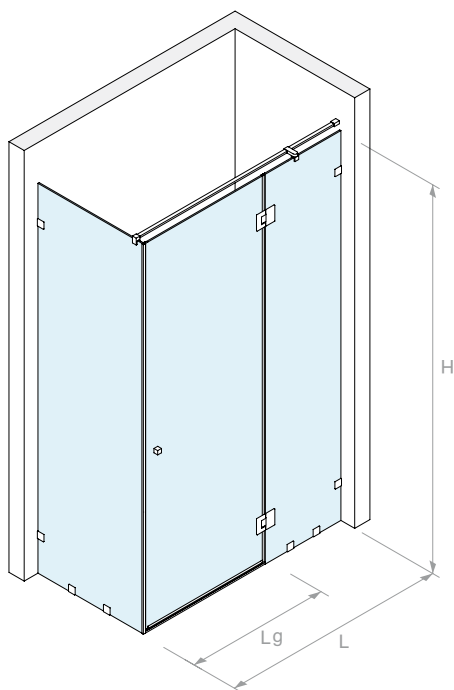




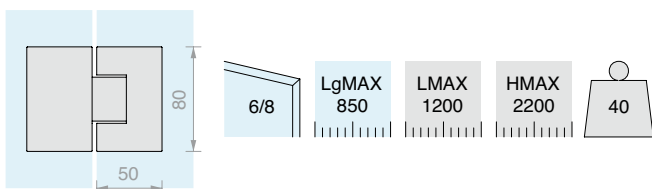


WALL/GLASS HINGED SHOWER KIT WITH FIXED PANE AND CLAMPS

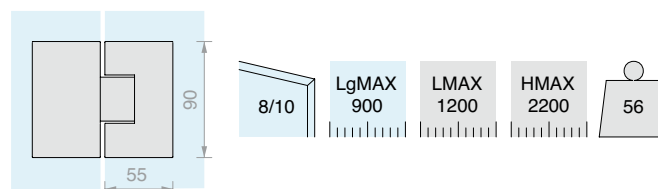
Finish: /1 /2 /4 /24 /R2



VERSION WITH HINGE **DQ380** 50 mm x 80 mm



VERSION WITH HINGE **DQ480** 55 mm x 90 mm



Kit comprising:

Art.	Description	Qty.	
DQ380	In-line adjustable hinge	2 Pcs	
PESQ0810B.100	Water barrier profile	1 Pc	
GM6010	Gasket with drip flap	1 Pc	
GM58	90° strike jamb gasket	1 Pc	
GM62	Balloon gasket	1 Pc	
DQP2525	Pair of knobs	1 Pc	
DQT1500	Fixed stabilizer bar	1 Pc	
DQA90	Distanced glass fixing	1 Pc	
DQM41	Clamp flush to the wall	8 Pcs	

Kit comprising:

Art.	Description	Qty.	
DQ480	In-line adjustable hinge	2 Pcs	
PESQ0810B.100	Water barrier profile	1 Pc	
GM0210	Gasket with drip flap	1 Pc	
GM5422	90° strike jamb gasket	1 Pc	
GM0422	Gasket with lip	1 Pc	
DQP2525	Pair of knobs	1 Pc	
DQT1500	Fixed stabilizer bar	1 Pc	
DQA90	Distanced glass fixing	1 Pc	
DQM41	Clamp flush to the wall	8 Pcs	

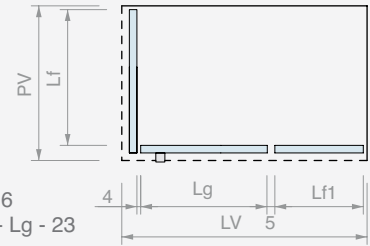
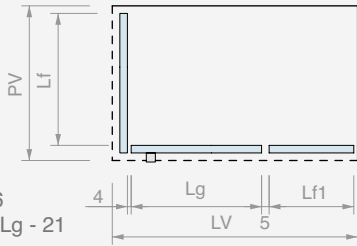
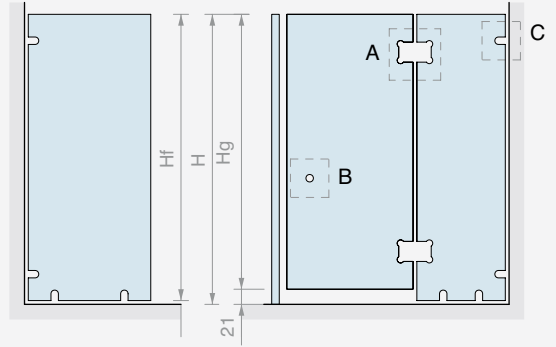
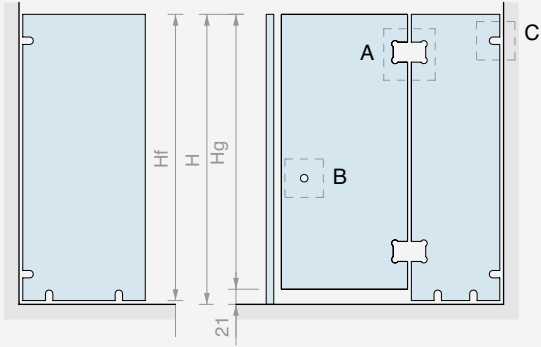
Art. **BDSQ6807** Qty. 1 Pc

Art. **BDSQ81007** Qty. 1 Pc



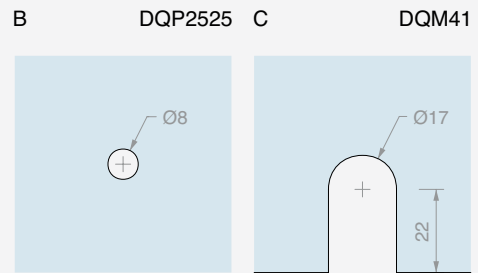
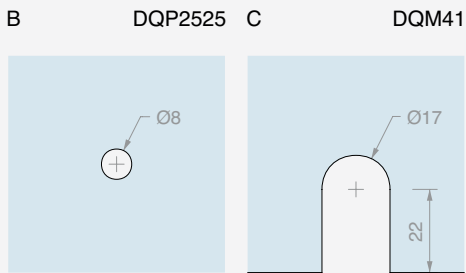
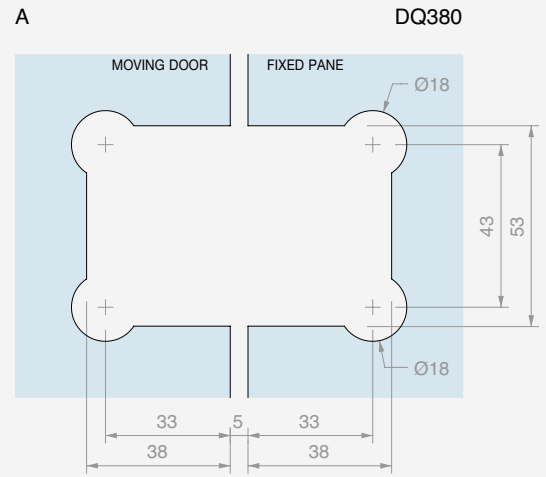
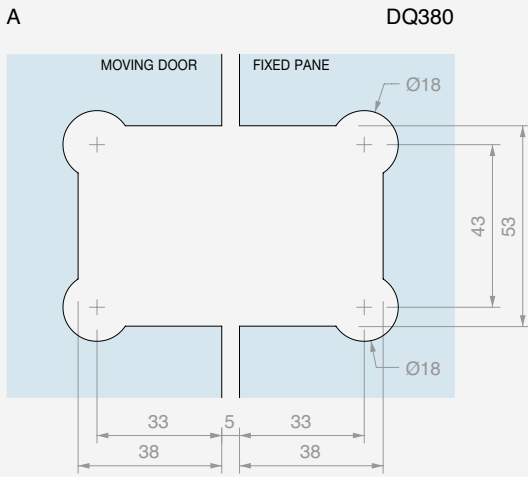
GLASS PANE DIMENSIONS

BDSQ6807



$H_f = H - 1$
 $H_g = H - 21$
 $L_g \text{ MAX } 850$
 $L_f \text{ (MAX } 800) = PV - 6$
 $L_{f1} \text{ (MAX } 600) = LV - L_g - 21$

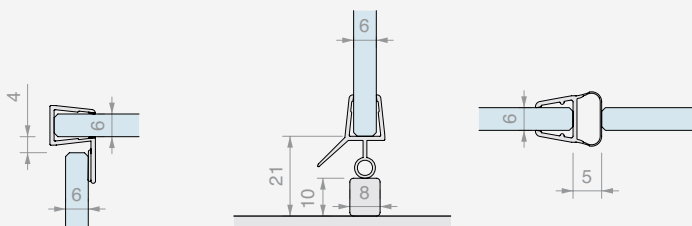
$H_f = H - 1$
 $H_g = H - 21$
 $L_g \text{ MAX } 850$
 $L_f \text{ (MAX } 800) = PV - 6$
 $L_{f1} \text{ (MAX } 600) = LV - L_g - 23$



GM58

GM6010

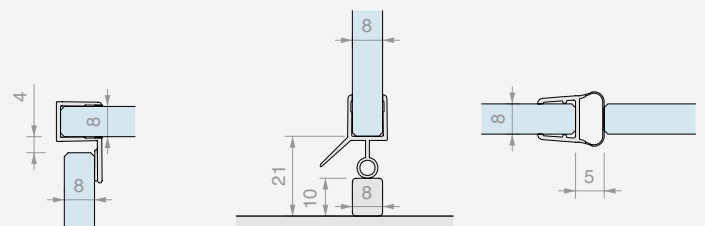
GM62



GM58

GM6010

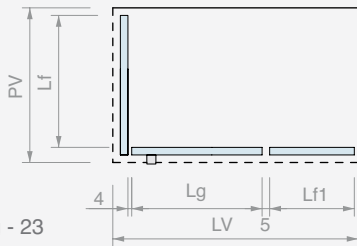
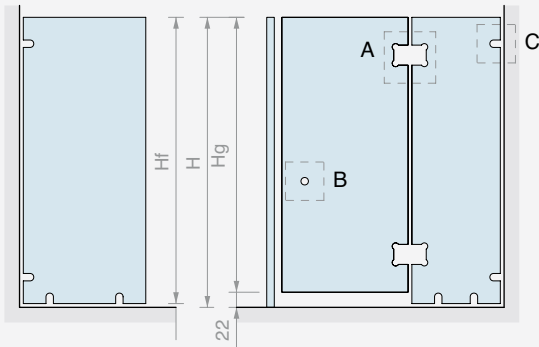
GM62



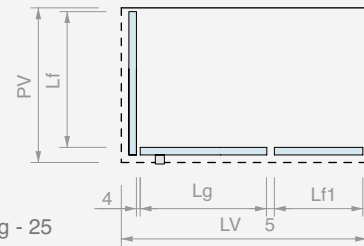
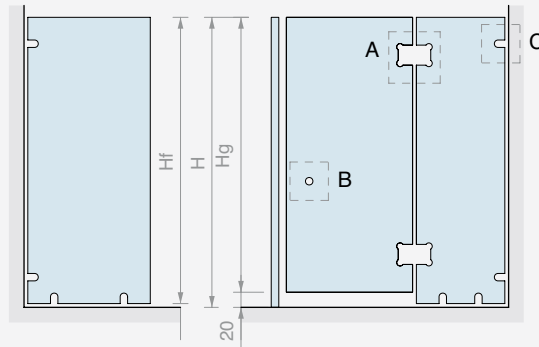
GOCCIA 35
GOCCIA 50
GLMFLAT
DCCFLAT
GIUMAX
DQSG SERIES
SQUARE SERIES

GLASS PANE DIMENSIONS

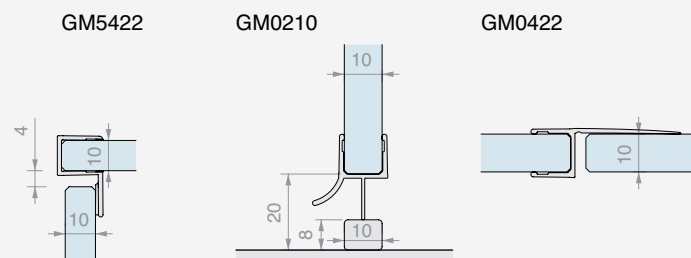
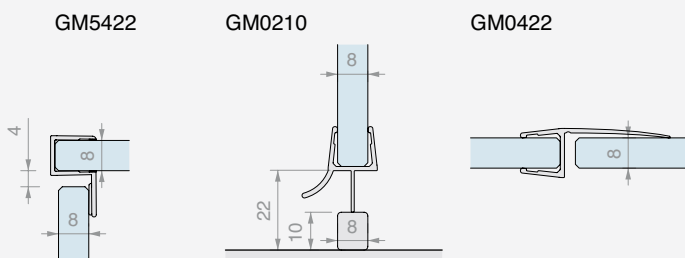
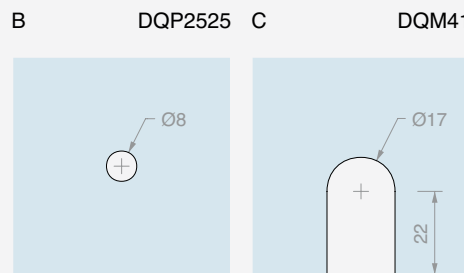
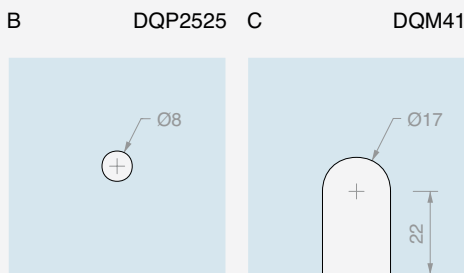
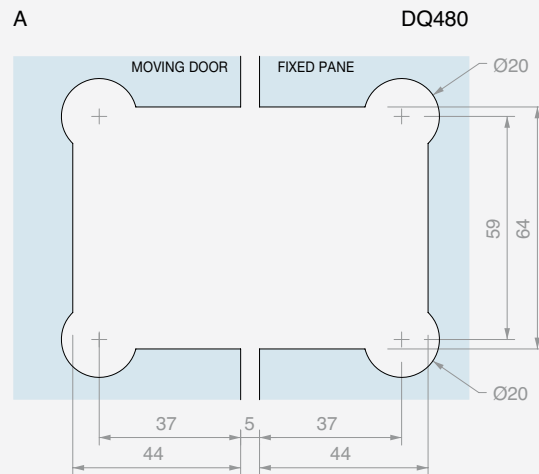
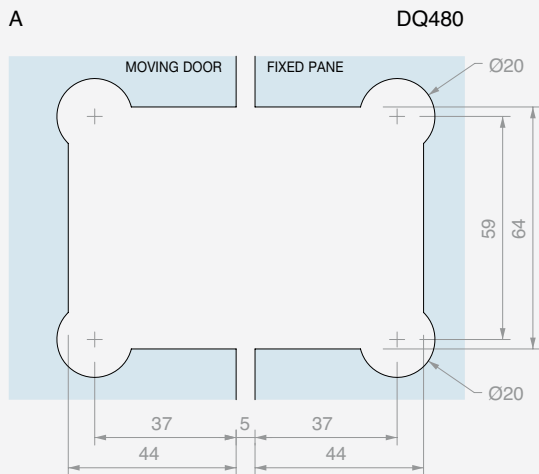
BDSQ81007



Hf = H - 1
 Hg = H - 22
 Lg MAX 900
 Lf (MAX 800) = PV - 6
 Lf1 (MAX 600) = LV - Lg - 23



Hf = H - 1
 Hg = H - 20
 Lg MAX 900
 Lf (MAX 800) = PV - 6
 Lf1 (MAX 600) = LV - Lg - 25



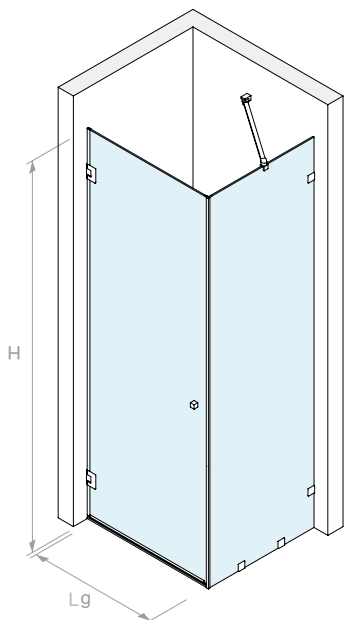
GOCCIA 35
 GOCCIA 50
 GLMFLAT
 DCCFLAT
 GUMAX
 DQSG SERIES
 SQUARE SERIES



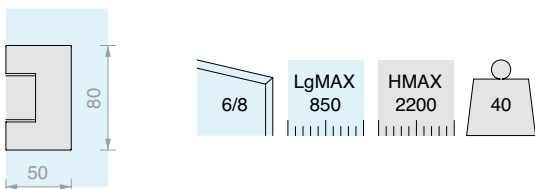


**WALL/WALL CORNER HINGED
SHOWER KIT WITH FIXED PANE AND CLAMPS**

Finish: /1 /2 /4 /24 /R2



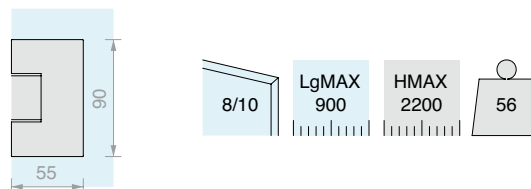
VERSION WITH HINGE **DQ30COV** 50 mm x 80 mm



Kit comprising:

Art.	Description	Qty.	
DQ30COV	Adjustable side hinge	2 Pcs	
PESQ0810B.100	Water barrier profile	1 Pc	
GM6010	Gasket with drip flap	1 Pc	
GM58	90° strike jamb gasket	1 Pc	
GM62	Balloon gasket	1 Pc	
DQP2525	Pair of knobs	1 Pc	
DQA55	Jointed stabilizer bar	1 Pc	
DQM41	Clamp flush to the wall	4 Pcs	

VERSION WITH HINGE **DQ40COV** 55 mm x 90 mm



Kit comprising:

Art.	Description	Qty.	
DQ40COV	Adjustable side hinge	2 Pcs	
PESQ0810B.100	Water barrier profile	1 Pc	
GM0210	Gasket with drip flap	1 Pc	
GM5422	90° strike jamb gasket	1 Pc	
GM0622	Balloon gasket	1 Pc	
DQP2525	Pair of knobs	1 Pc	
DQA55	Jointed stabilizer bar	1 Pc	
DQM41	Clamp flush to the wall	4 Pcs	

Art.	Qty.	Art.	Qty.
BDSQ6813	1 Pc	BDSQ81013	1 Pc

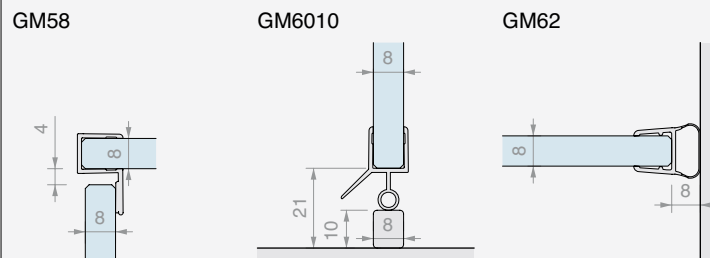
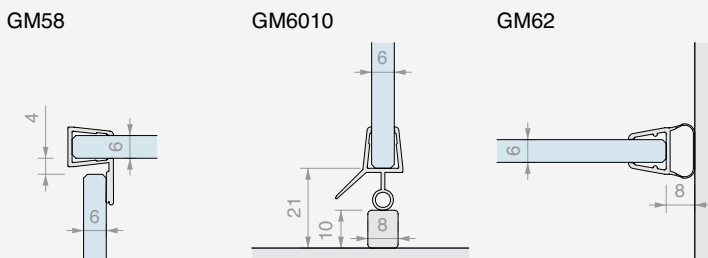
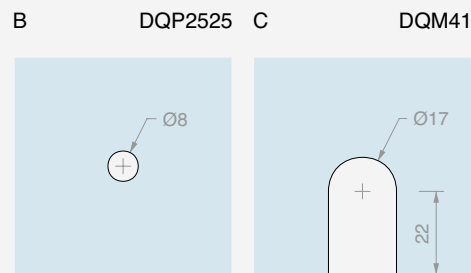
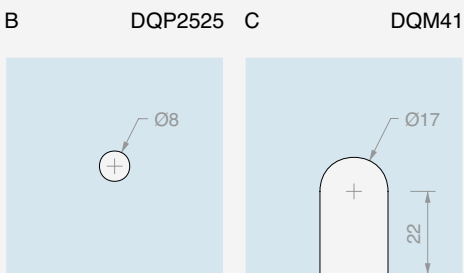
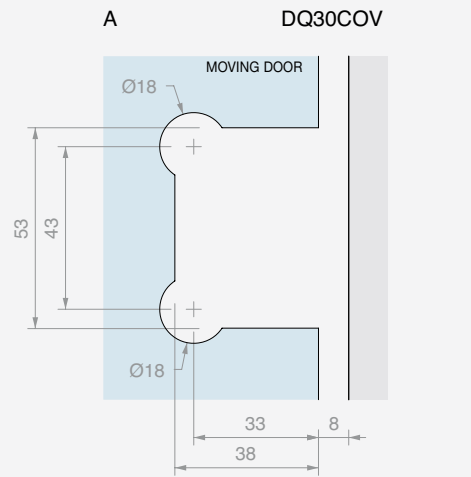
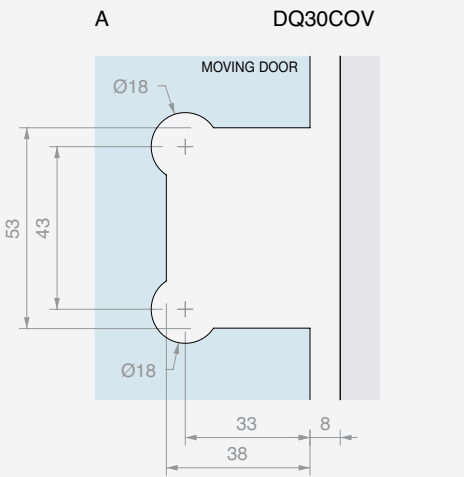
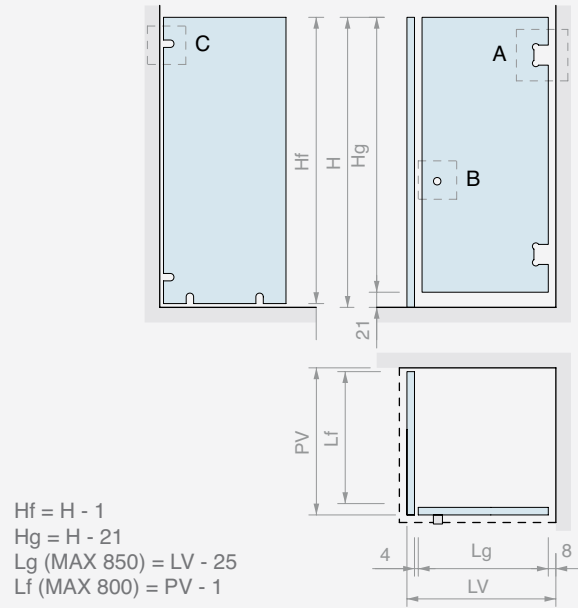
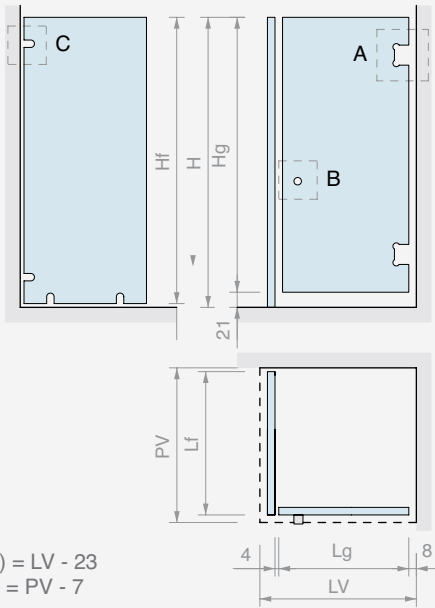
Art.	Qty.	Art.	Qty.
BDSQ6813	1 Pc	BDSQ81013	1 Pc

GOCCIA 35
 GOCCIA 50
 GLMFLAT
 DCCFLAT
 GIUMAX
 DQSG SERIES
 SQUARE SERIES



GLASS PANE DIMENSIONS

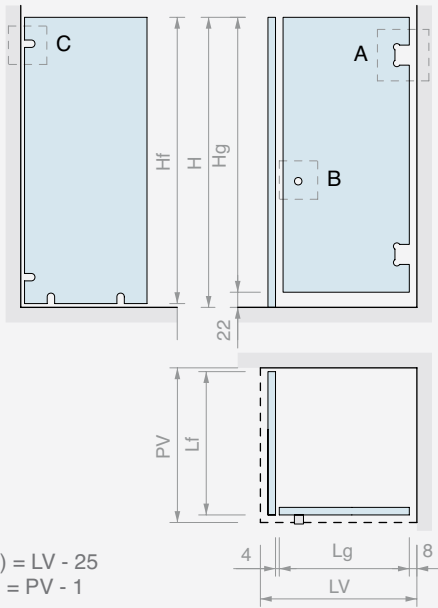
BDSQ6813



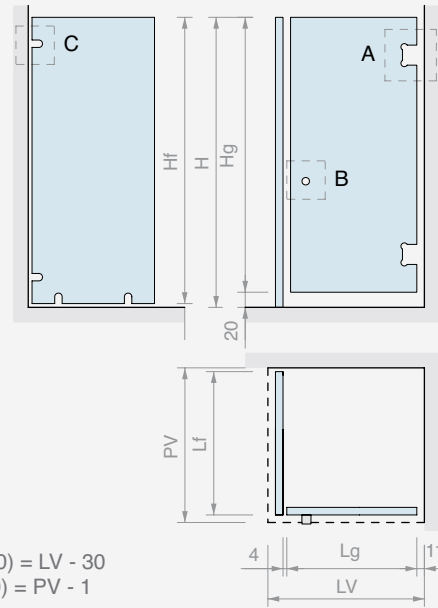


GLASS PANE DIMENSIONS

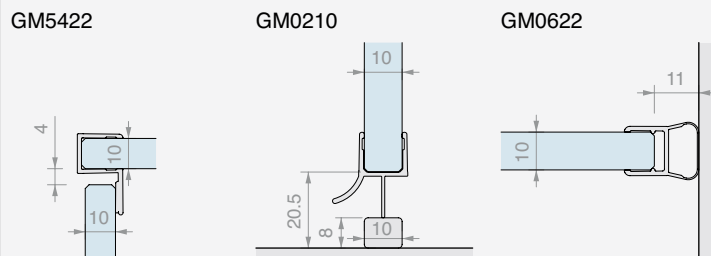
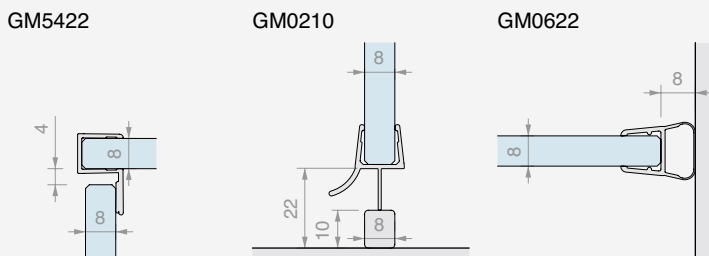
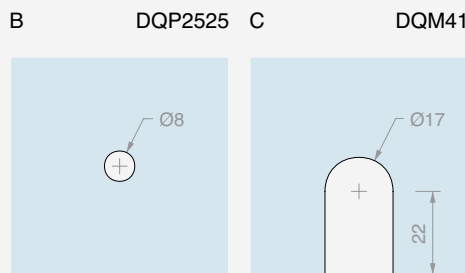
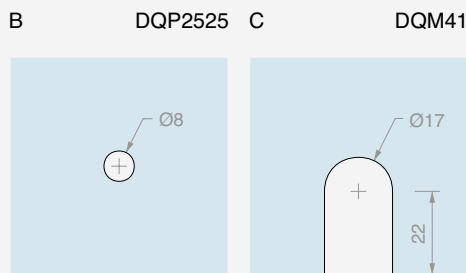
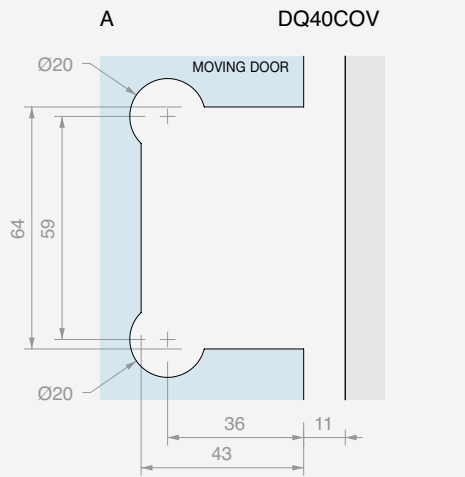
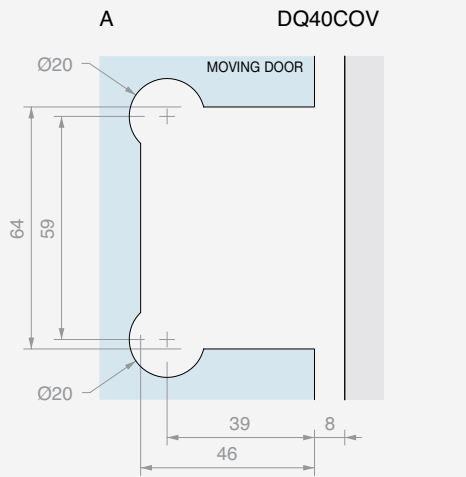
BDSQ81013



Hf = H - 1
 Hg = H - 22
 Lg (MAX 900) = LV - 25
 Lf (MAX 800) = PV - 1



Hf = H - 1
 Hg = H - 20
 Lg (MAX 900) = LV - 30
 Lf (MAX 800) = PV - 1



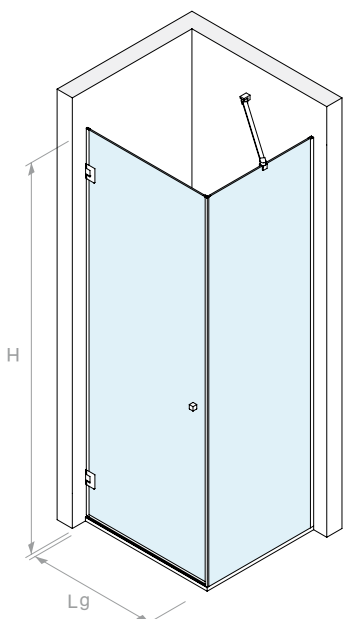
GOCCIA 35
 GOCCIA 50
 GLMFLAT
 DCCFLAT
 GIUMAX
 DQSG SERIES
 SQUARE SERIES





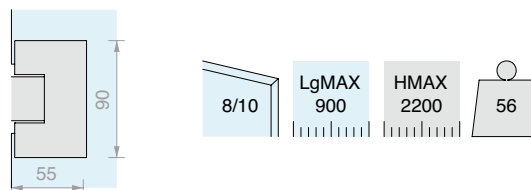
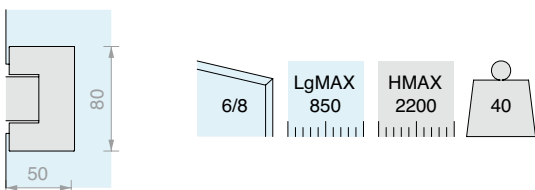
**WALL/WALL CORNER HINGED
SHOWER KIT WITH FIXED PANE AND PROFILES**

Finish: /1 /2 /4 /24 /R2



VERSION WITH HINGE **DQ30COV** 50 mm x 80 mm

VERSION WITH HINGE **DQ40COV** 55 mm x 90 mm



Kit comprising:

Art.	Description	Qty.
DQ30COV	Adjustable side hinge	2 Pcs
LMU20B.220	U-shaped profile	2 Pcs
LMU86B.100	Flat upper profile	1 Pc
GTUP4	Glass holder gasket	4 m
GTUP6	Glass holder gasket	4 m
GM58	90° strike jamb gasket	1 Pc
GM6010	Gasket with drip flap	1 Pc
GM62	Balloon gasket	1 Pc
DQP2525	Pair of knobs	1 Pc
DQA55	Jointed stabilizer bar	1 Pc

Kit comprising:

Art.	Description	Qty.
DQ40COV	Adjustable side hinge	2 Pcs
LMU20B.220	U-shaped profile	2 Pcs
LMU86B.100	Flat upper profile	1 Pc
GTUP4	Glass holder gasket	4 m
GTUP2	Glass holder gasket	4 m
GM5422	90° strike jamb gasket	1 Pc
GM0210	Gasket with drip flap	1 Pc
GM0622	Balloon gasket	1 Pc
DQP2525	Pair of knobs	1 Pc
DQA55	Jointed stabilizer bar	1 Pc

Art.	Qty.
BDSQ6815	1 Pc

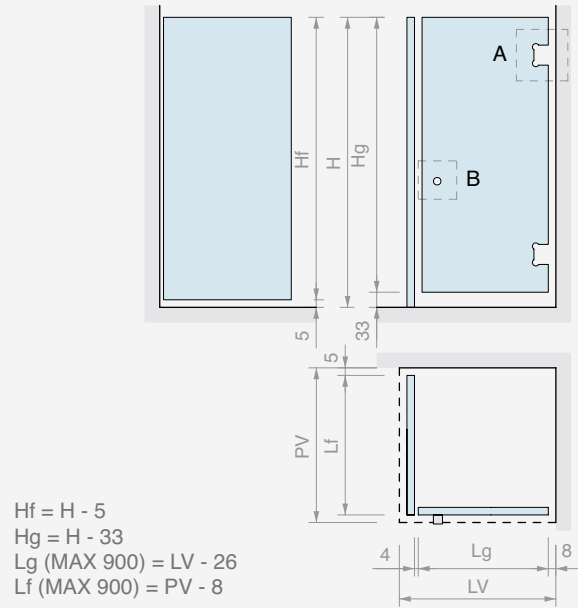
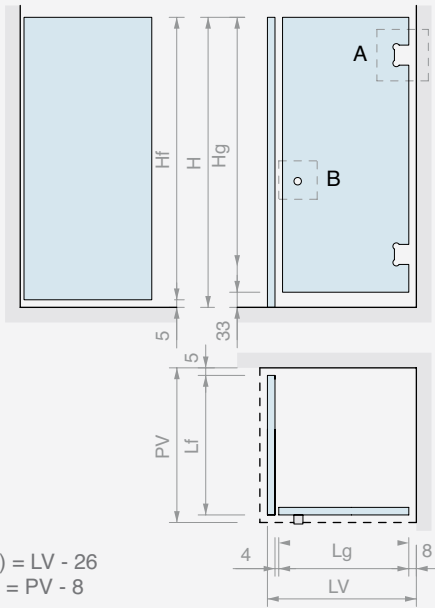
Art.	Qty.
BDSQ81015	1 Pc

GOCCIA 35
 GOCCIA 50
 GLMFLAT
 DCCFLAT
 GUMAX
 DQSG SERIES
 SQUARE SERIES



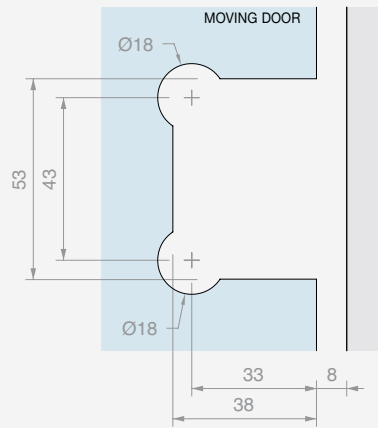
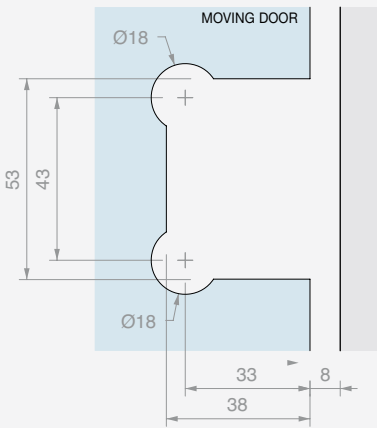
GLASS PANE DIMENSIONS

BDSQ6815



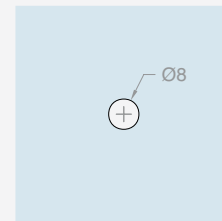
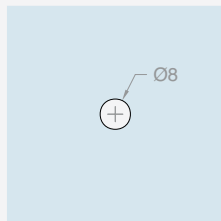
A DQ30COV

A DQ30COV



B DQP2525

B DQP2525



GM58

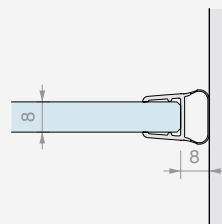
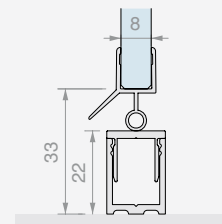
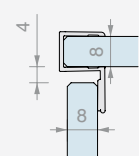
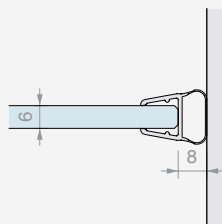
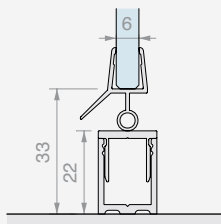
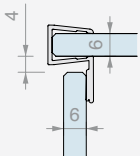
GM6010

GM62

GM58

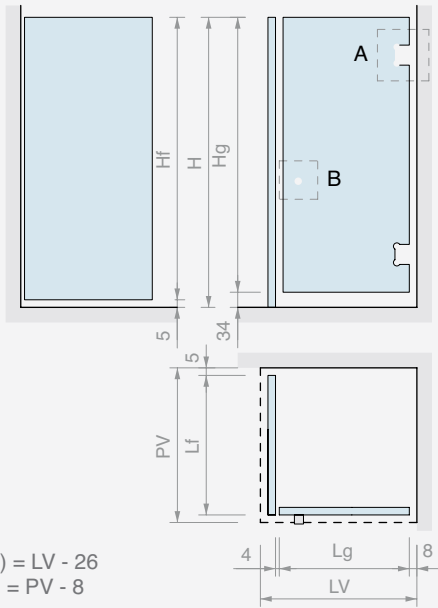
GM6010

GM62

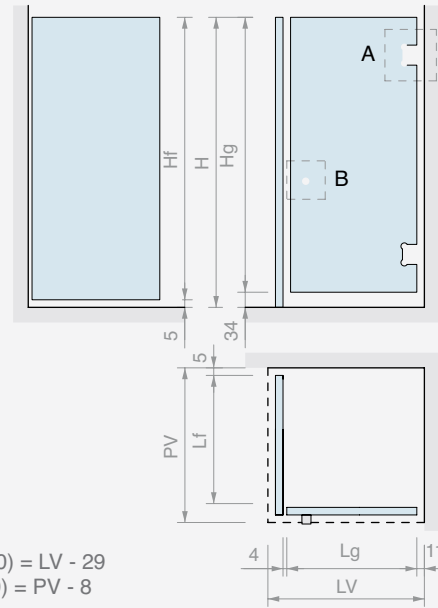


GLASS PANE DIMENSIONS

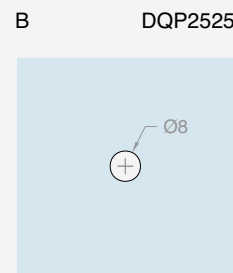
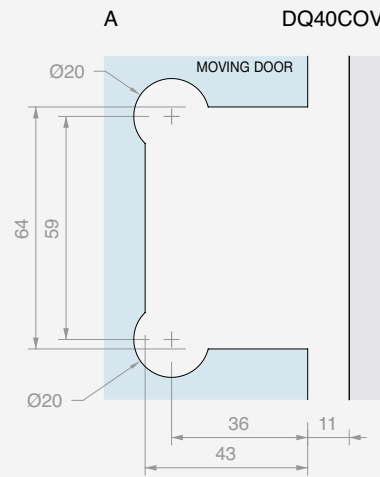
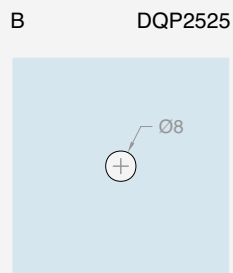
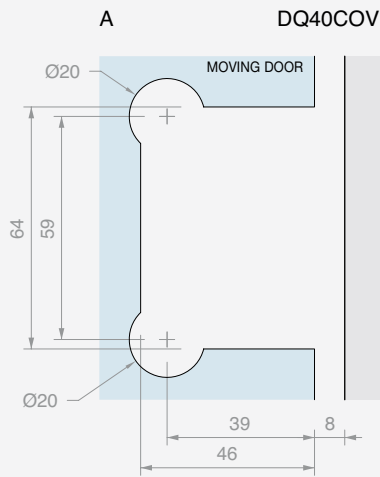
BDSQ81015



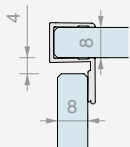
Hf = H - 5
 Hg = H - 34
 Lg (MAX 900) = LV - 26
 Lf (MAX 800) = PV - 8



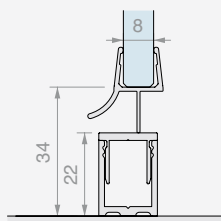
Hf = H - 5
 Hg = H - 34
 Lg (MAX 900) = LV - 29
 Lf (MAX 800) = PV - 8



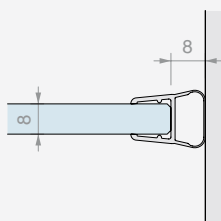
GM5422



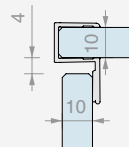
GM0210



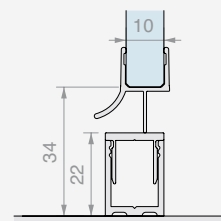
GM0622



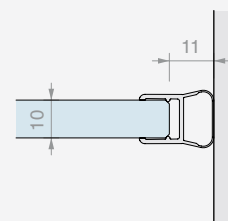
GM5422



GM0210



GM0622



GOCCIA 35

GOCCIA 50

GLMFLAT

DCCFLAT

GIUMAX

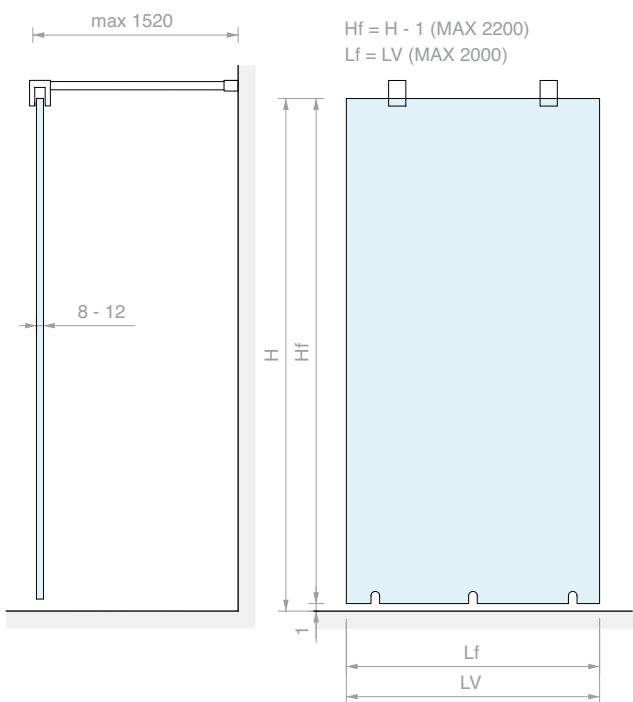
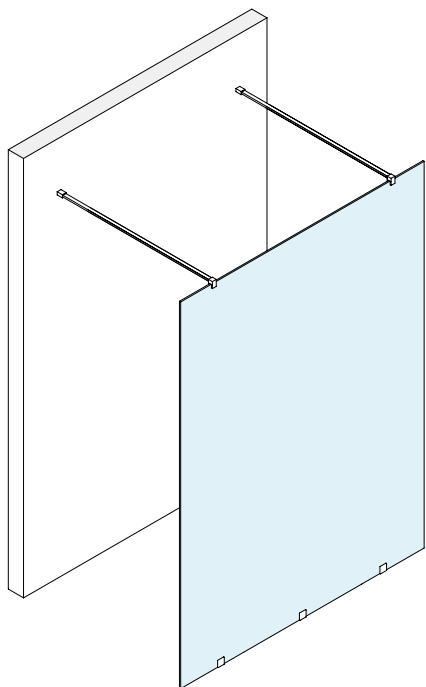
DQSG SERIES

SQUARE SERIES



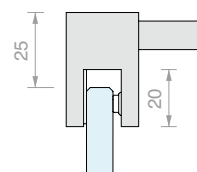
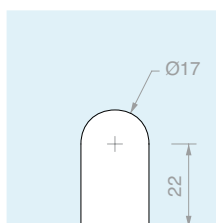
**TWO-SIDE WALK-IN
SHOWER KIT WITH CLAMPS**

Finish: /1 /2 /4 /24 /R2



DQM41

DQT1500



Kit comprising:

Art.	Description	Qty.
DQM41	Clamp flush to the wall	3 Pcs
DQT1500	Fixed stabilizer bar	2 Pcs
Optional		
PESQ0810B.150	Water barrier profile	2 Pcs

Art.	For glass	Qty
OPEN03DQ	From 8 to 12 mm	1 Pc

GOCCIA 35

GOCCIA 50

GLMFLAT

DCCFLAT

GIUMAX

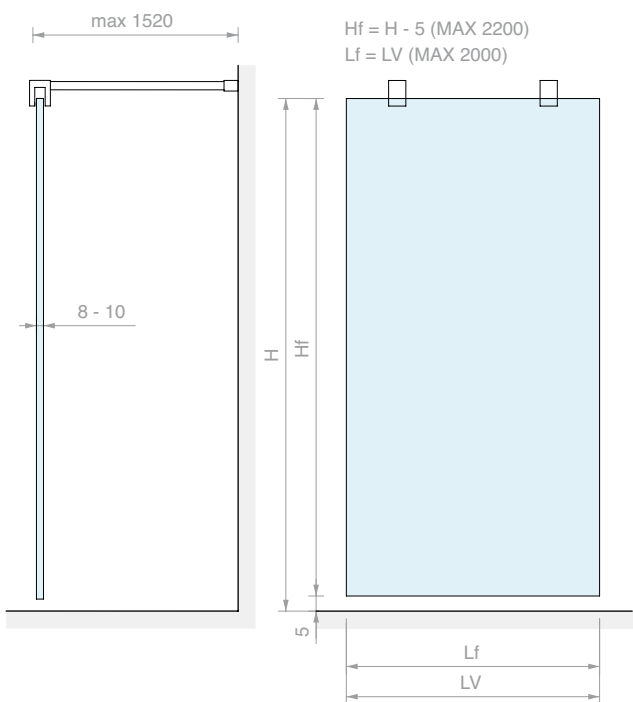
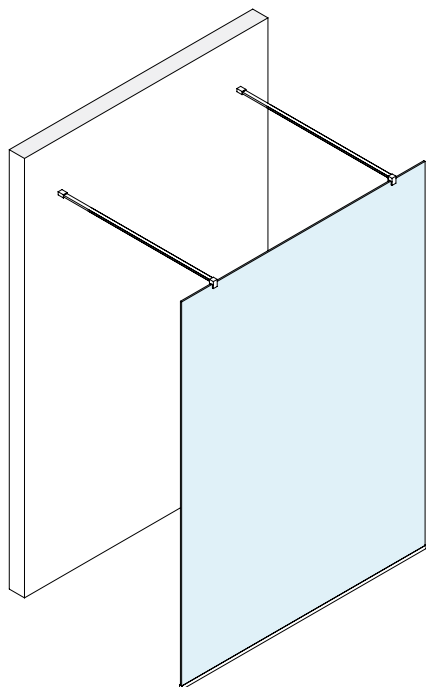
DQSG SERIES

SQUARE SERIES



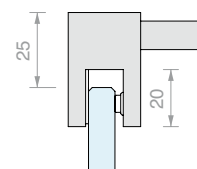
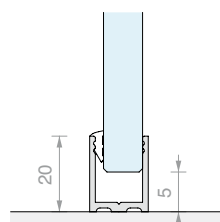
**TWO-SIDE WALK-IN
SHOWER KIT WITH PROFILES**

Finish:     



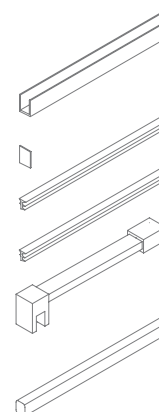
LMU20B.220

DQT1500



Kit comprising:

Art.	Description	Qty.
LMU20B.220	U-shaped profile	1 Pc
LMU20TPB	Flat cap	2 Pcs
GTUP2	Glass holder gasket	2 m
GTUP4	Glass holder gasket	2 m
DQT1500	Fixed stabilizer bar	2 Pcs
Optional		
PESQ0810B.150	Water barrier profile	2 Pcs

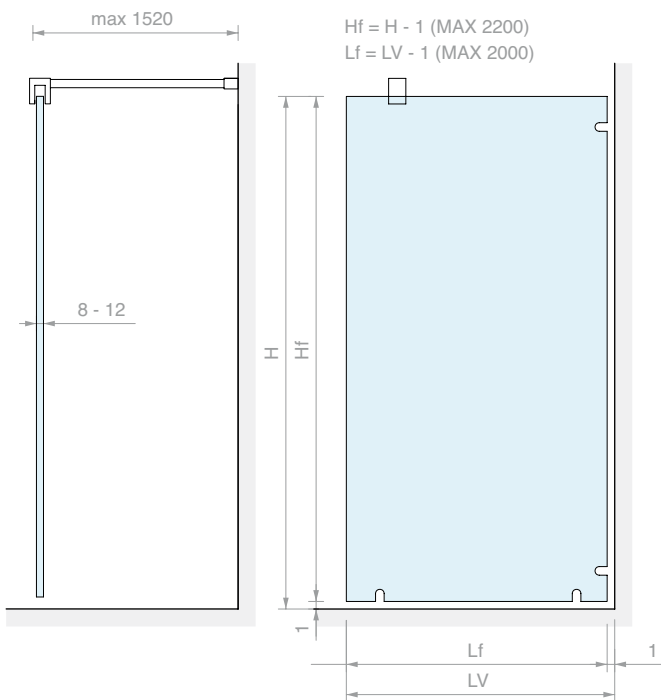
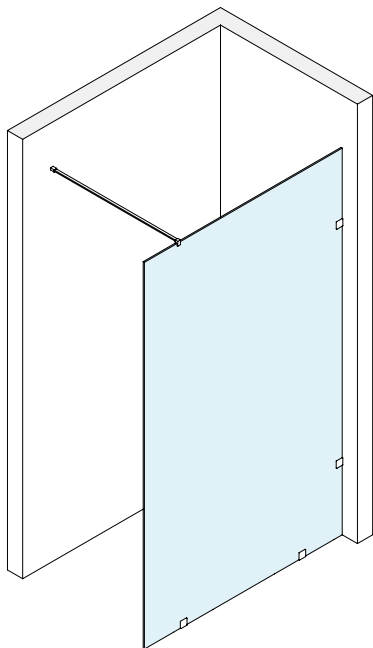


Art.	For glass	Qty
OPEN03LMUDQ	From 8 to 10 mm	1 Pc



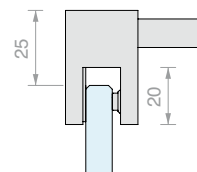
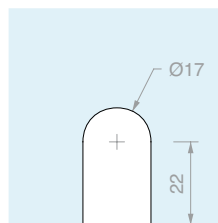
WALK-IN SHOWER KIT WITH CLAMPS

Finish: /1 /2 /4 /24 /R2


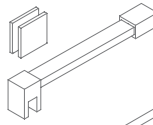
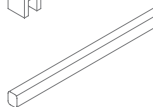


DQM41

DQT1500



Kit comprising:

Art.	Description	Qty.	
DQM41	Clamp flush to the wall	4 Pcs	
DQT1500	Fixed stabilizer bar	1 Pc	
Optional			
PESQ0810B.150	Water barrier profile	1 Pc	

Art.	For glass	Qty
OPEN01DQ	From 8 to 12 mm	1 Pc

GOCCIA 35

GOCCIA 50

GLMFLAT

DCCFLAT

GIUMAX

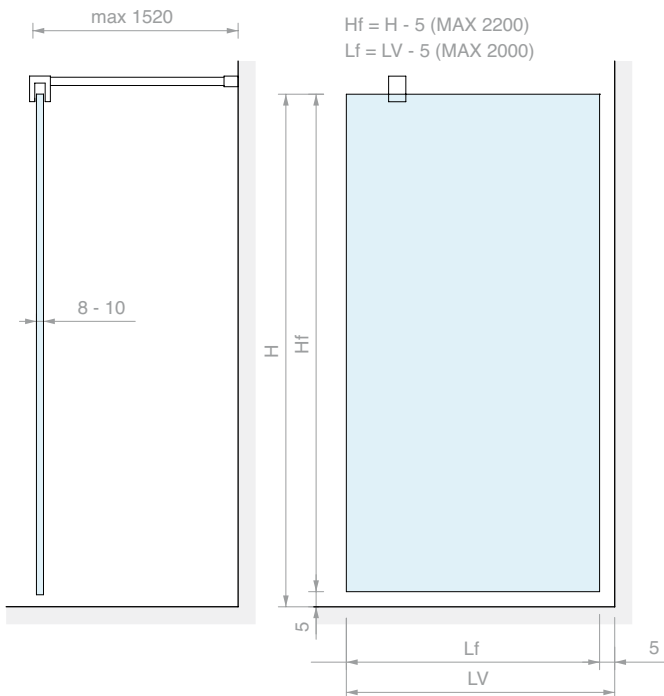
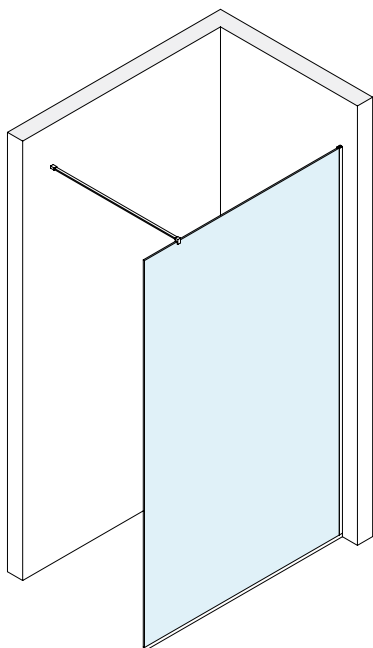
DQSG SERIES

SQUARE SERIES



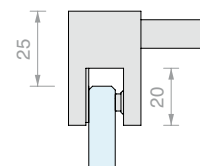
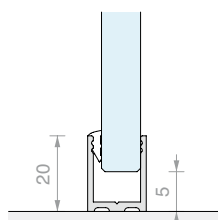
WALK-IN SHOWER KIT WITH PROFILES

Finish:     






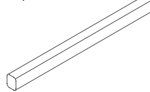


LMU20B.220

DQT1500



Kit comprising:

Art.	Description	Qty.	
LMU20B.220	U-shaped profile	2 Pcs	
LMU20TPB	Flat cap	1 Pc	
GTUP2	Glass holder gasket	5 m	
GTUP4	Glass holder gasket	5 m	
DQT1500	Fixed stabilizer bar	1 Pc	
Optional			
PESQ0810B.150	Water barrier profile	1 Pc	

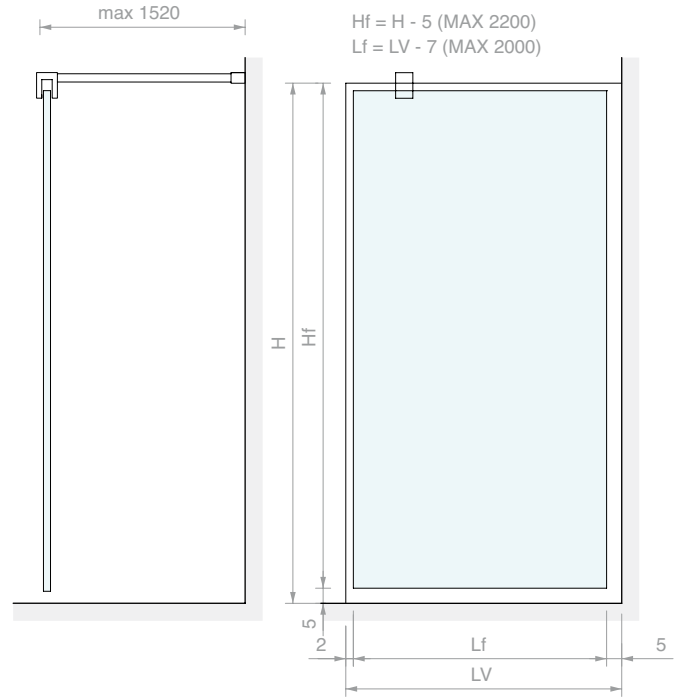
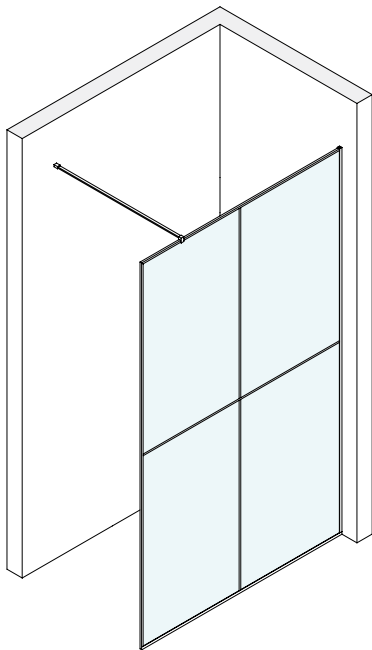
Art.	For glass	Qty
OPEN01LMUDQ	From 8 to 10 mm	1 Pc

SQUARE SERIES DQSG SERIES GIUMAX DCCFLAT GLMFLAT GOCCIA 50 GOCCIA 35



WALK-IN SHOWER KIT WITH FINISHING PROFILES

Finish: 



PBD3183.220

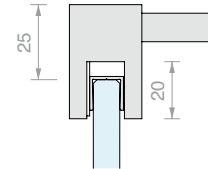
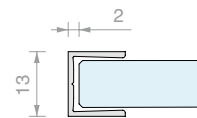
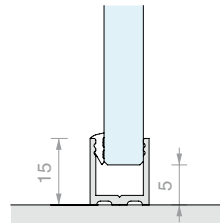
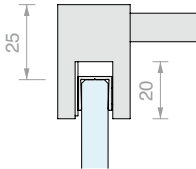
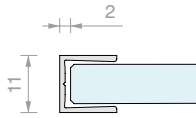
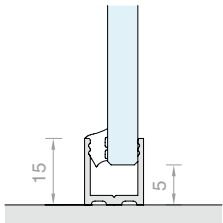
FOU1011.30

DQT1500

PBD3183.220

FOU1013.30

DQT1500



Kit comprising:

Art.	Description	Qty.
PBD3183.220	U-shaped profile	2 Pcs
PBDTP	Flat cap	1 Pc
GTUP4	Glass holder gasket	5 m
FOU1011.30	U-shaped profile	2 Pcs
FOP10.30	Flat profile	2 Pcs
DQT1500	Fixed stabilizer bar	1 Pc
Optional		
PBD3183.150	U-shaped profile	1 Pc
PBD3186.150	Flat upper profile	1 Pc

Kit comprising:

Art.	Description	Qty.
PBD3183.220	U-shaped profile	2 Pcs
PBDTP	Flat cap	1 Pc
GTUP2	Glass holder gasket	5 m
FOU1013.30	U-shaped profile	2 Pcs
FOP10.30	Flat profile	2 Pcs
DQT1500	Fixed stabilizer bar	1 Pc
Optional		
PBD3183.150	U-shaped profile	1 Pc
PBD3186.150	Flat upper profile	1 Pc

Art.	For glass	Qty
OPEN01FOR8	8 mm	1 Pc

Art.	For glass	Qty
OPEN01FOR10	10 mm	1 Pc

GOCCIA 35

GOCCIA 50

GLMFLAT

DCCFLAT

GIUMAX

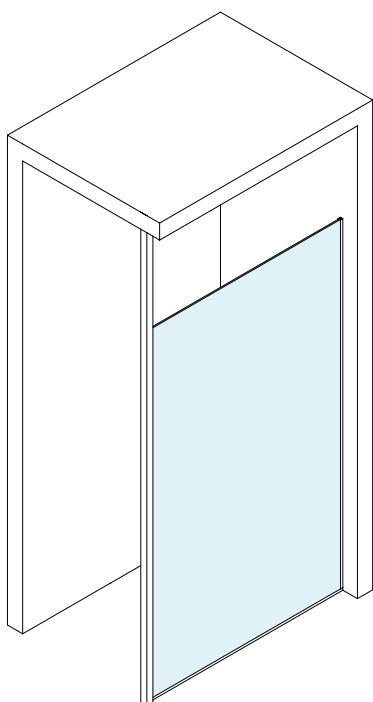
DQSG SERIES

SQUARE SERIES

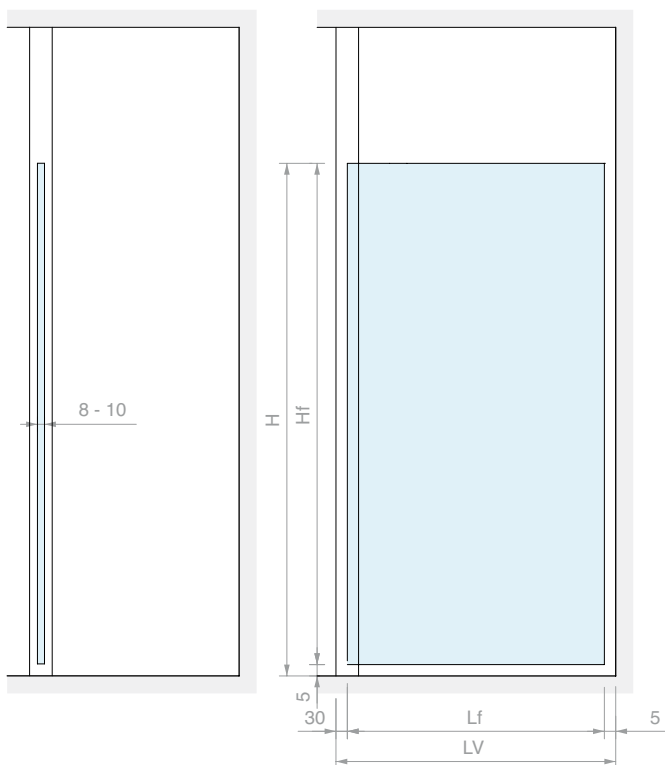


WALK-IN SHOWER KIT WITH COLUMN

Finish:  / 

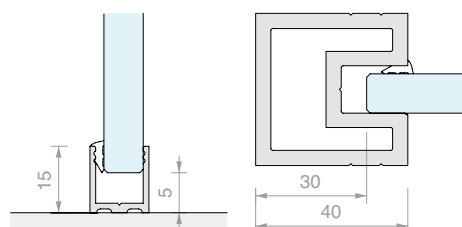


Hf = H - 5 (MAX 2200)
Lf = LV - 35 (MAX 2000)



PBD3183.220

NV3100



Kit comprising:

Art.	Description	Qty.
NV3100	Central column	1 Pc
PBD3186.150	Flat upper profile	1 Pc
NV3500	Upper cover for column	1 Pc
NV3200	Central fixing kit	1 Pc
PBD3183.220	U-shaped profile	2 Pcs
GTUP2	Glass holder gasket	5 m
GTUP4	Glass holder gasket	5 m
Optional		
PBD3183.150	U-shaped profile	1 Pc
PBD3186.150	Flat upper profile	1 Pc

Art.	For glass	Qty
OPEN01NOVI	From 8 to 10 mm	1 Pc

GOCCIA 35

GOCCIA 50

GLMFLAT

DCCLFLAT

GIUMAX

DQSG SERIES

SQUARE SERIES



TABLE OF SQUARE SERIES ACCESSORIES

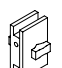
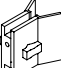
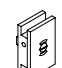
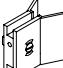
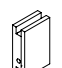
Hinges

for glass thickness from 6 to 8 mm

								
DQ30COV	DQ30	DQ32	DQ34	DQ380	DQ390	DQ3135	DQ37	DQ375
Page 204	Page 205	Page 206	Page 207	Page 208	Page 209	Page 210	Page 211	Page 212

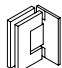
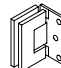
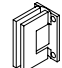
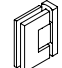
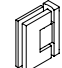
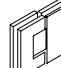
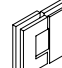
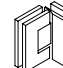
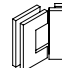
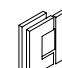
Locks

for glass thickness from 6 to 8 mm

				
DQC35	DQC37	DQC38	DQC39	DQC395
Page 214	Page 214	Page 214	Page 215	Page 215

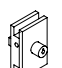
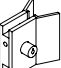
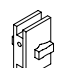
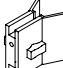
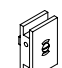
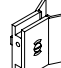
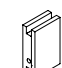
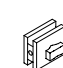
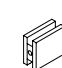
Hinges

for glass thickness from 8 to 12 mm


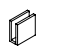







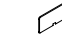

									
DQ40COV	DQ40	DQ42	DQ44	DQ44P	DQ480	DQ480P	DQ490	DQ4135	DQ475
Page 216	Page 217	Page 218	Page 219	Page 220	Page 221	Page 222	Page 223	Page 224	Page 225

Locks

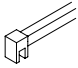
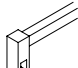
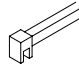
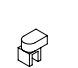

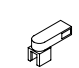
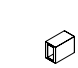
for glass thickness from 8 to 10 mm

								
DQC51	DQC53	DQC55	DQC575	DQC58	DQC59	DQC61	DQC63	DQC65
Page 226	Page 226	Page 226	Page 227	Page 227	Page 227	Page 228	Page 228	Page 228




Clamps

										
DQM41	DQM43	DQM57	DQM52	DQM50	DQM47	DQM45	DQM49	DQM09	DQM11	DQMP
Page 229	Page 229	Page 229	Page 229	Page 230	Page 230	Page 230	Page 231	Page 231	Page 231	Page 235

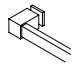
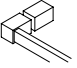
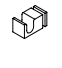
Stabilizer bars

										
DQT	DQX	DQA500	DQA55	DQA	DQA85	DQA86	DQA8670	DQA90	DQA93	DQA88
Page 232	Page 232	Page 233	Page 233	Page 234	Page 234	Page 234	Page 234	Page 235	Page 235	Page 235

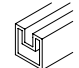
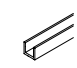
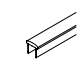
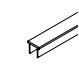

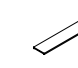
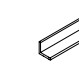
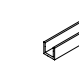
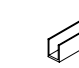
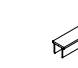

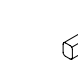
Knobs

		
DQTS2525	DQP2525	POM2525
Page 236	Page 236	Page 236

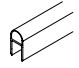
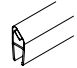
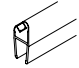
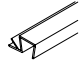
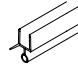
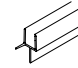
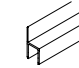
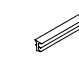
Towel racks and hooks

		
DQP365	DQP375	DQP385
Page 237	Page 237	Page 236

Profiles for fixed panes and caps

											
NOVI3000	PBD3183	PBD3184	PBD3186	PBDTP	FOP	FOL	FOU	LMU20B	LMU86B	LMU20TPB	PESQB
Page 240	Page 242	Page 242	Page 242	Page 242	Page 243	Page 243	Page 243	Page 238	Page 238	Page 238	Page 238

Gaskets

							
From 6 to 8 mm	GM62	GM12SX	GM12DX	GM58	GM60		GTUP
	Page 244	Page 244	Page 244	Page 244	Page 244		Page 245
From 8 to 10 mm	GM06	GM1520SX	GM1520DX	GM54	GM02	GM0422	
	Page 244	Page 245	Page 245	Page 245	Page 245	Page 245	



GOCCIA 35

GOCCIA 50

GLMFLAT

DCCFLAT

GIUMAX

DQSG SERIES

SQUARE SERIES

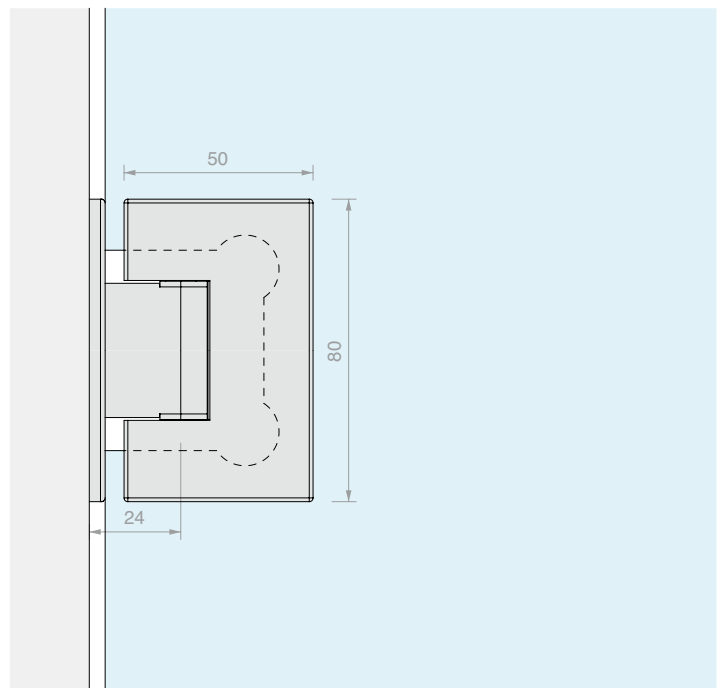
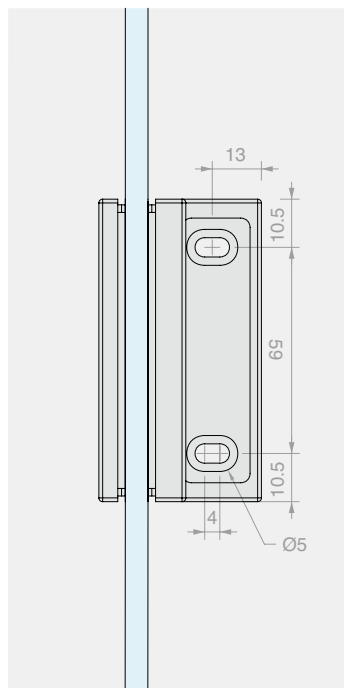
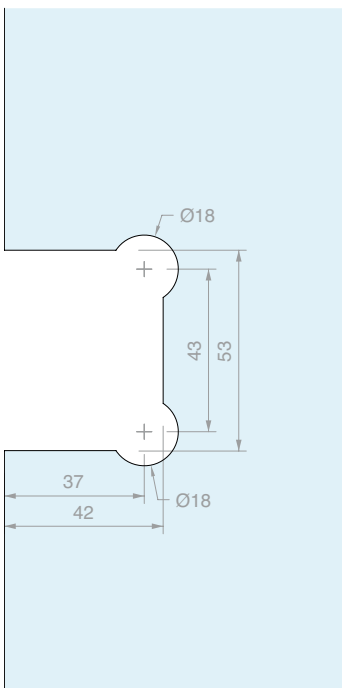
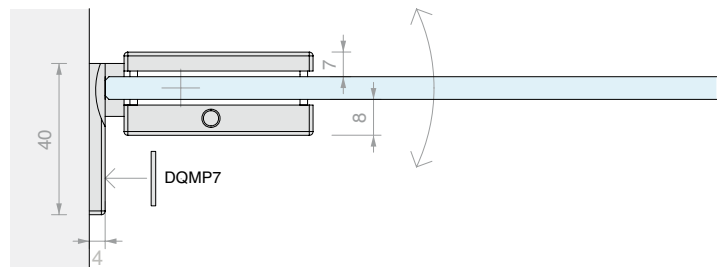
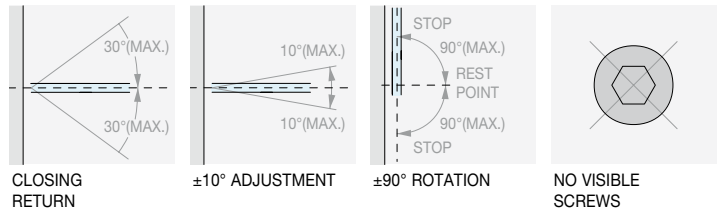


WALL/GLASS ADJUSTABLE SIDE HINGE

Material: Brass

Finish: /1 /2 /4 /24 /R2

Spare plate DQMP7 on page 235



Art. **DQ30COV**

For glass
From 6 to 8 mm

Qty
1 Pc

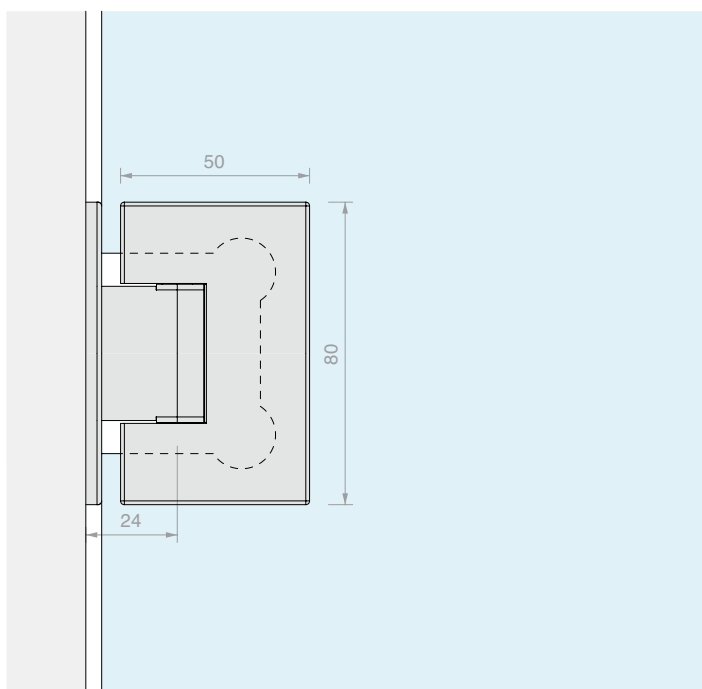
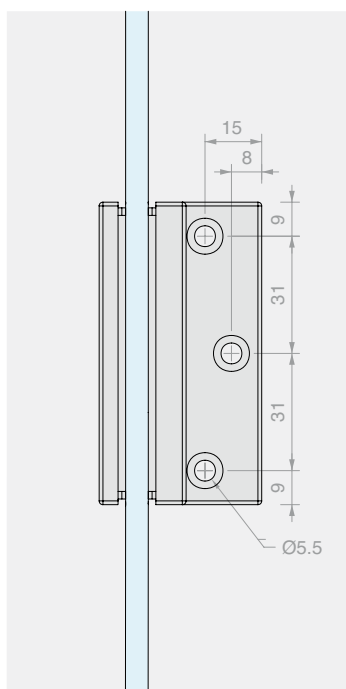
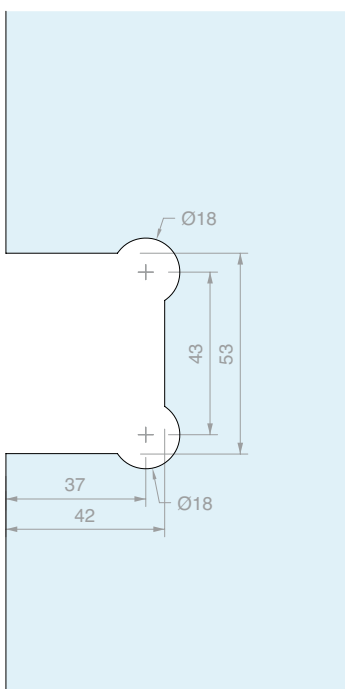
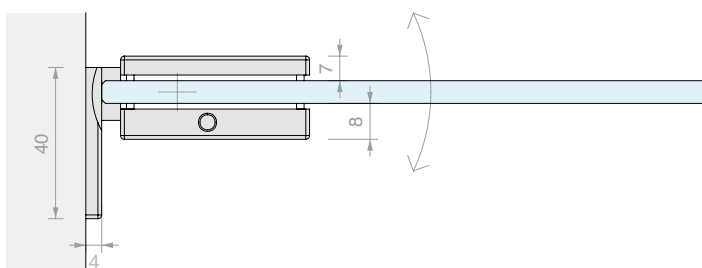
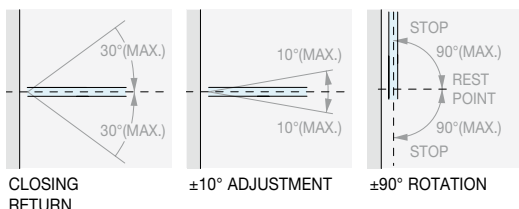


**WALL/GLASS ADJUSTABLE
SIDE HINGE**

Material: Brass

Finish: /1 /24 /R2

Provided with adhesive screw covers



Art.	For glass	Qty
DQ30	From 6 to 8 mm	1 Pc



GOCCIA 35

GOCCIA 50

GLMFLAT

DCCFLAT

GIUMAX

DQSG SERIES

SQUARE SERIES

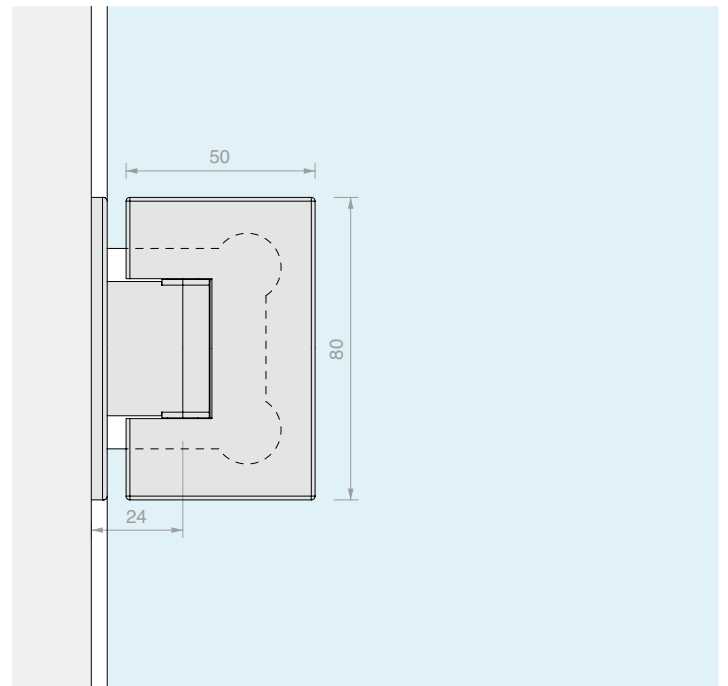
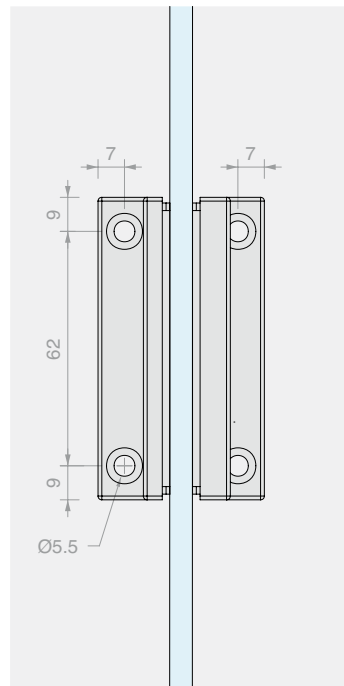
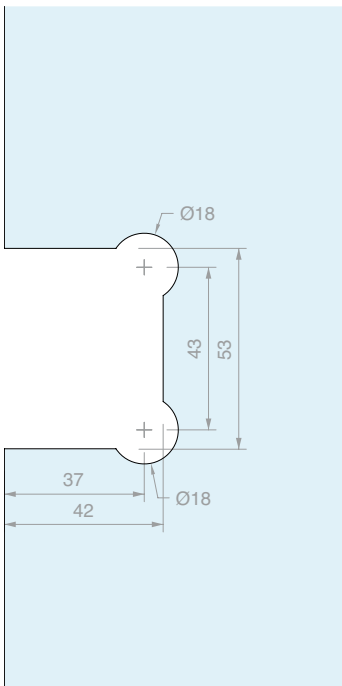
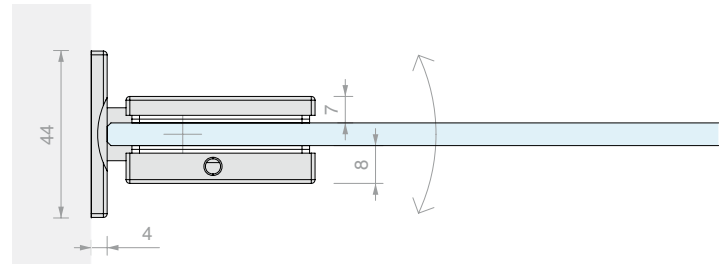


WALL/GLASS ADJUSTABLE CENTRAL HINGE

Material: Brass

Finish: /1 /24 /R2

Provided with adhesive screw covers



Art.
DQ32

For glass
From 6 to 8 mm

Qty
1 Pc

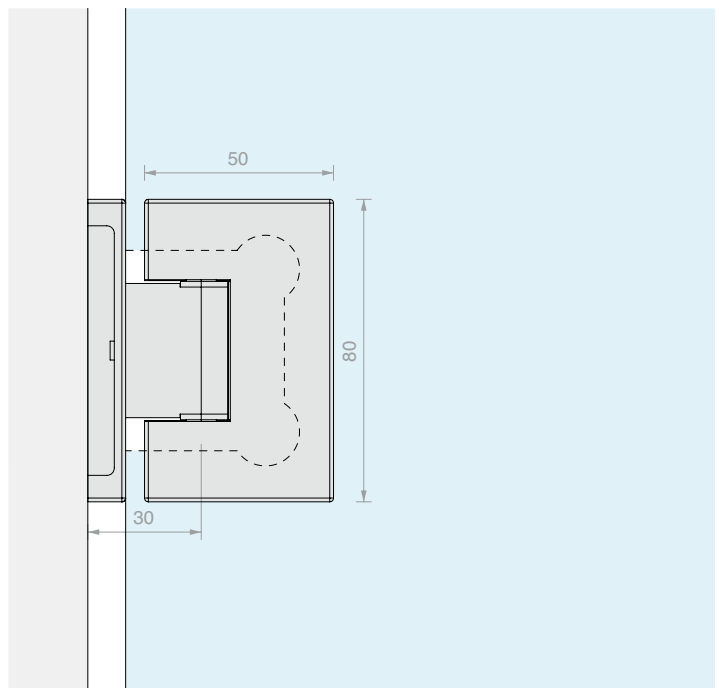
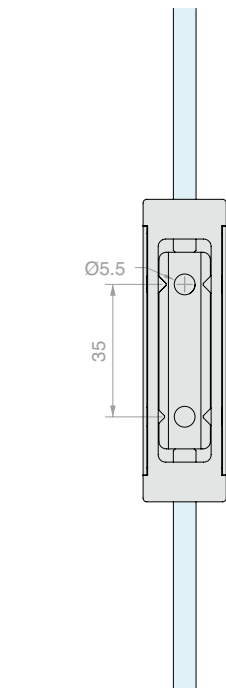
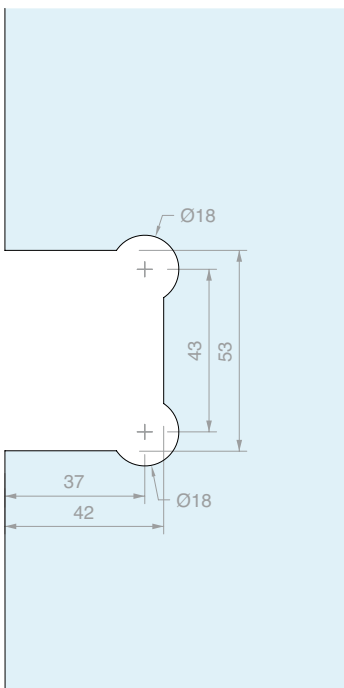
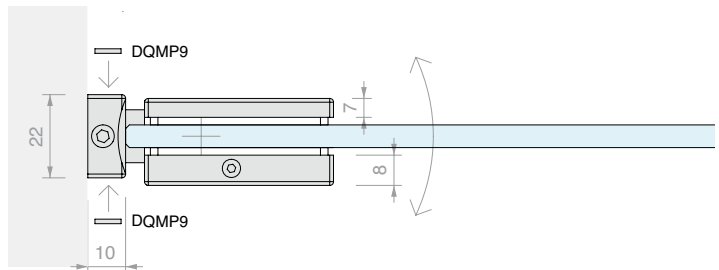
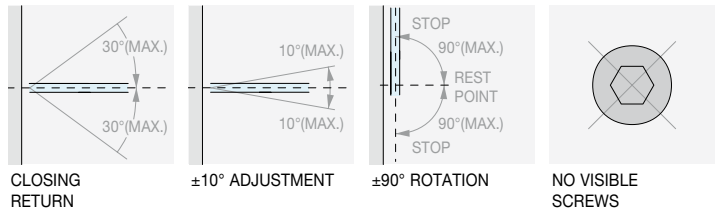
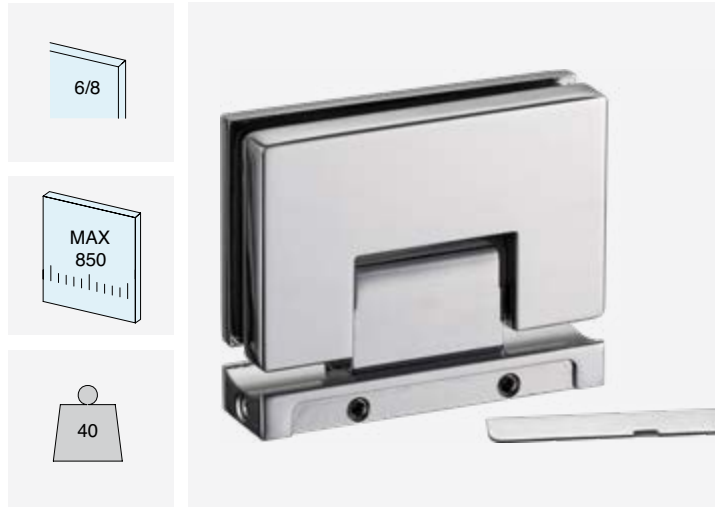


**WALL/GLASS ADJUSTABLE HINGE
FOR NARROW JAMBS**

Material: Brass

Finish: /1 /2 /24 /R2

Spare plate DQMP9 on page 235



Art.	For glass	Qty
DQ34	From 6 to 8 mm	1 Pc



GOCCIA 35

GOCCIA 50

GLMFLAT

DCCFLAT

GIUMAX

DQSG SERIES

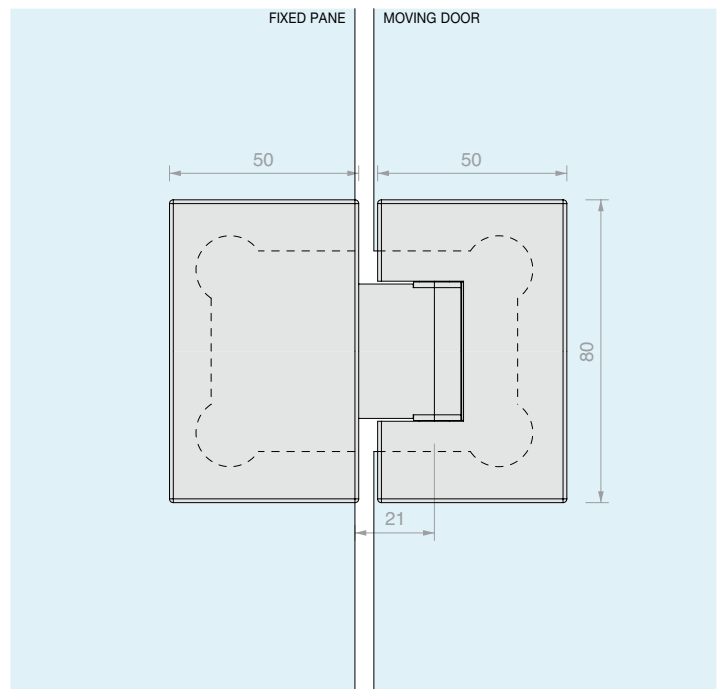
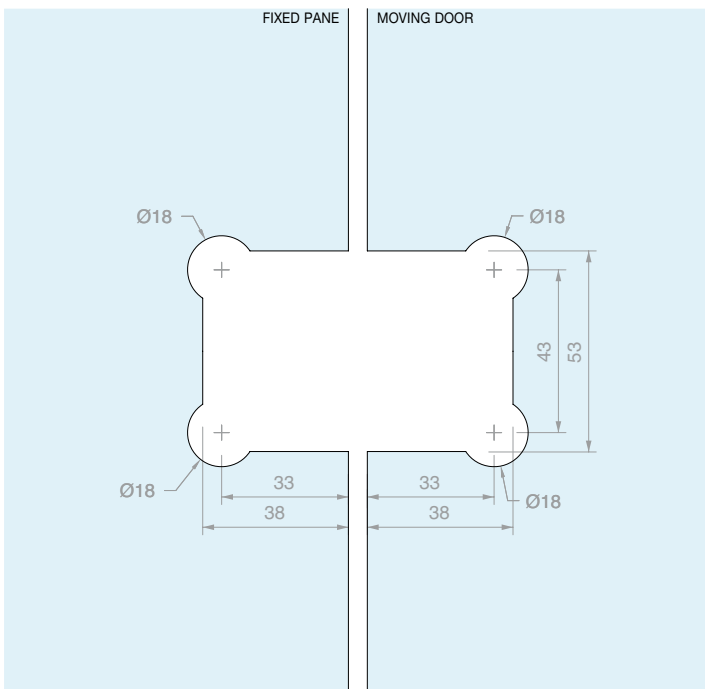
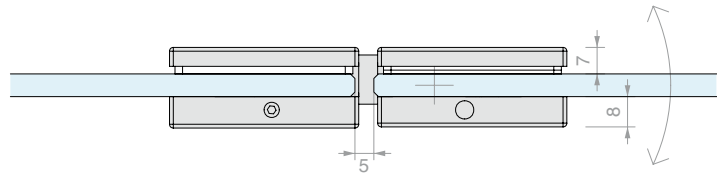
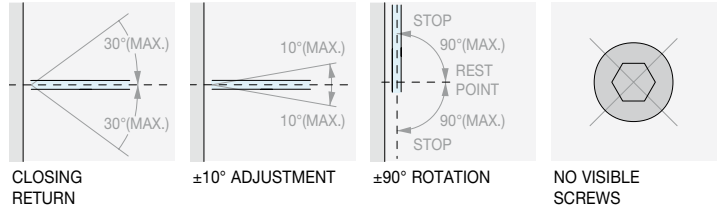
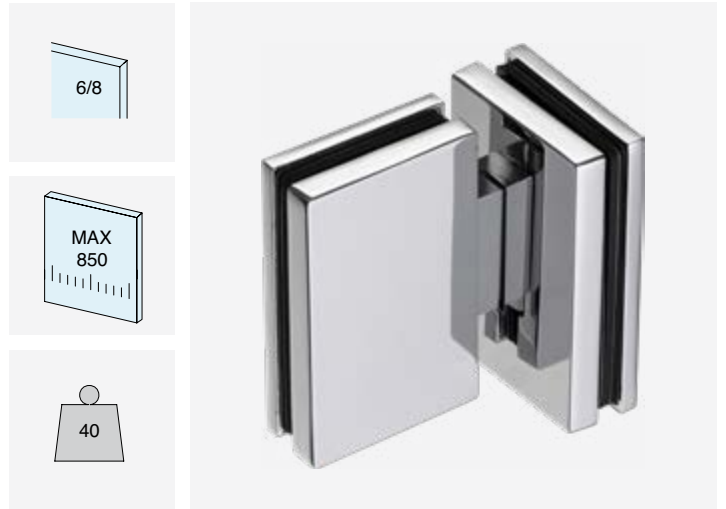
SQUARE SERIES



GLASS/GLASS ADJUSTABLE IN-LINE HINGE

Material: Brass

Finish: /1 /2 /4 /24 /R2



Art. **DQ380**

For glass
From 6 to 8 mm

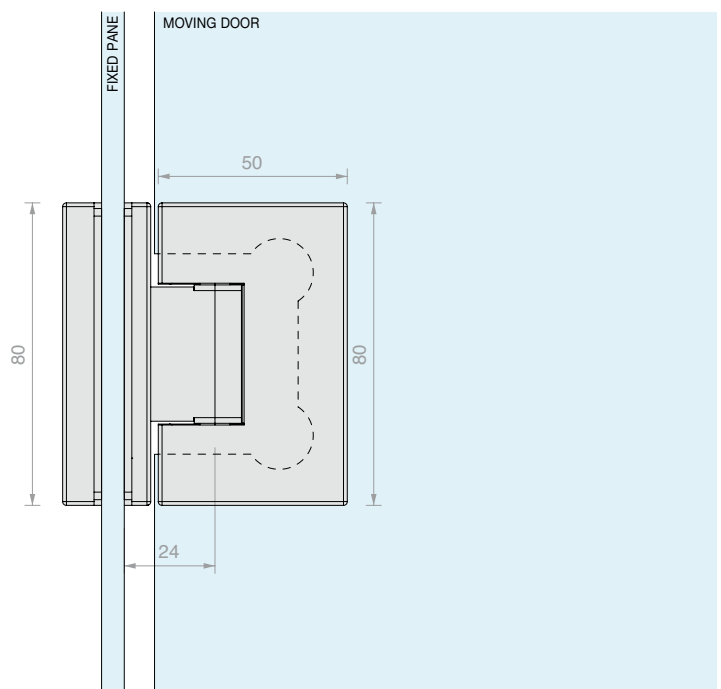
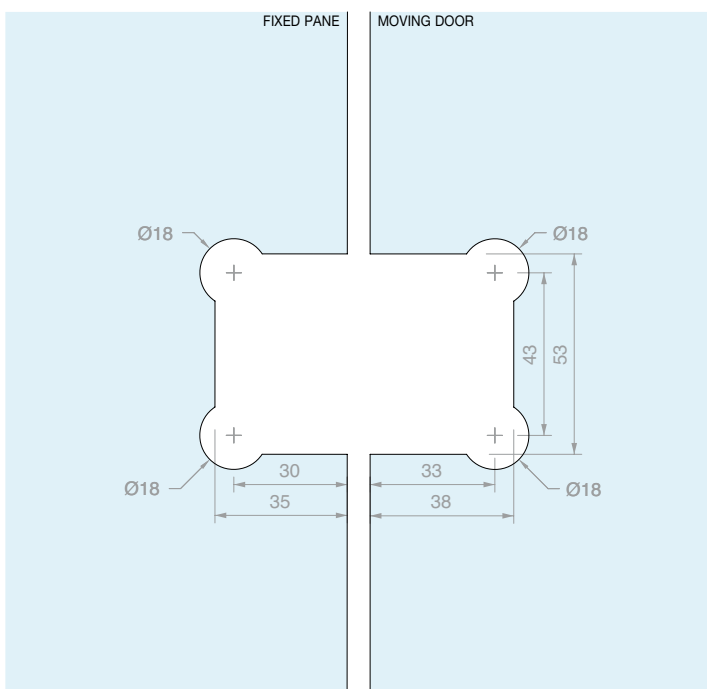
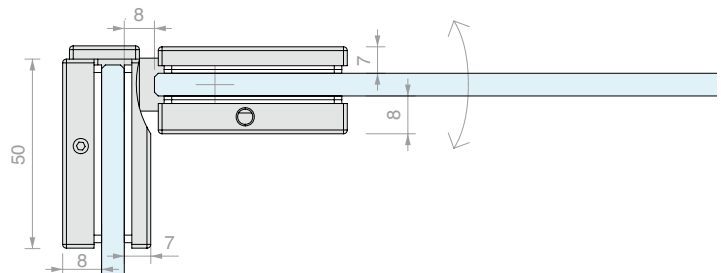
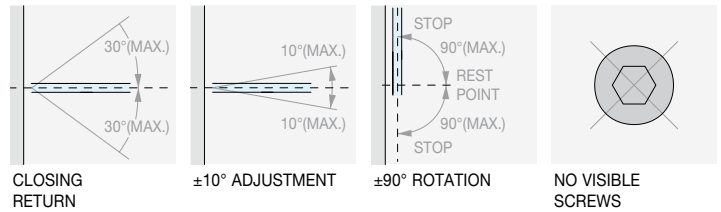
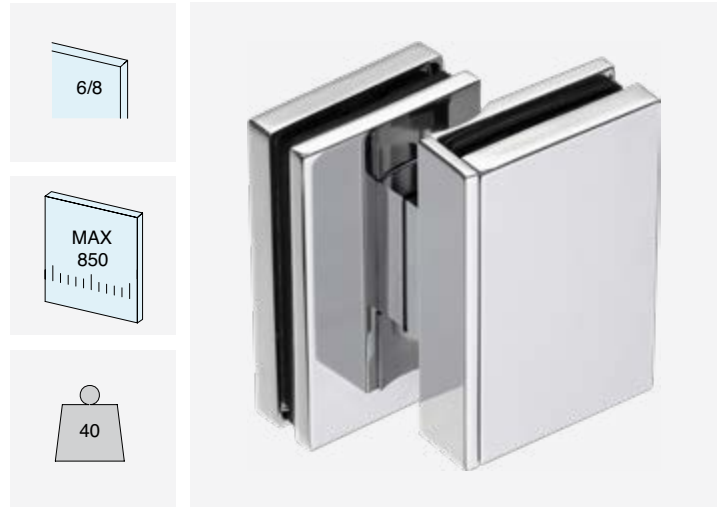
Qty
1 Pc



**GLASS/GLASS 90°
ADJUSTABLE HINGE**

Material: Brass

Finish: /1 /24 /R2



Art.	For glass	Qty
DQ390	From 6 to 8 mm	1 Pc



GOCCIA 35

GOCCIA 50

GLMFLAT

DCCFLAT

GIUMAX

DQSG SERIES

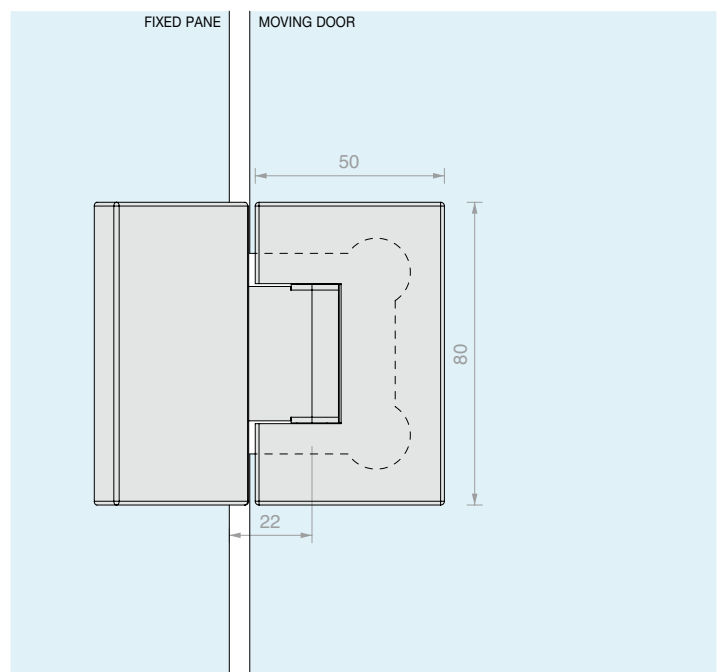
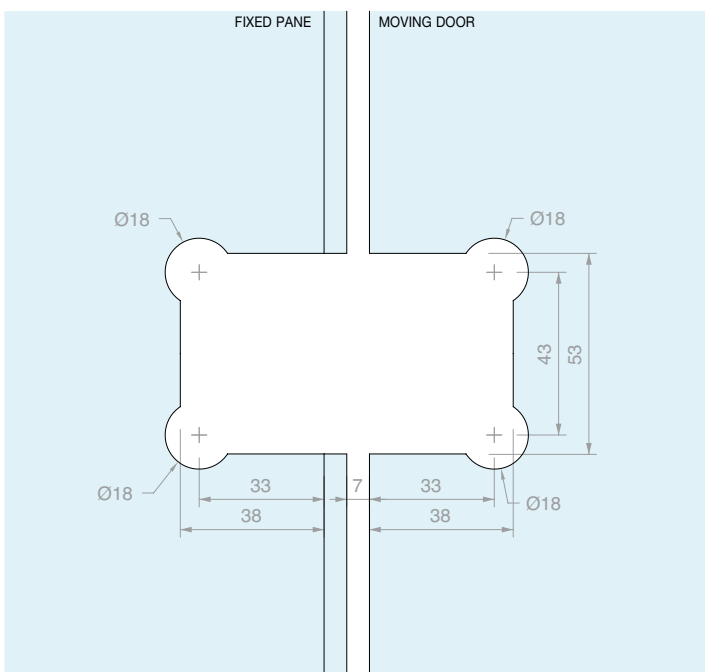
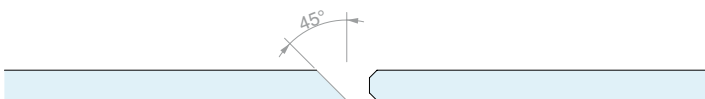
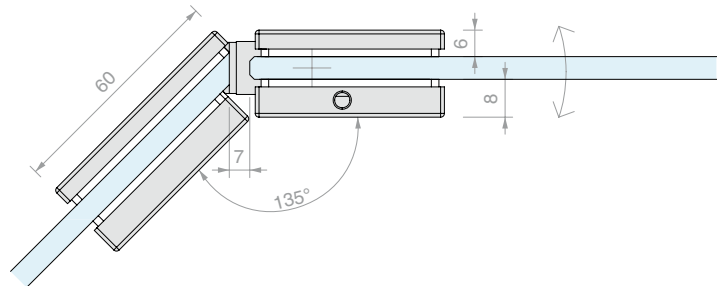
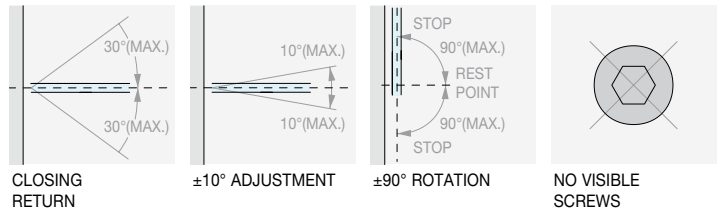
SQUARE SERIES



GLASS/GLASS 135° ADJUSTABLE HINGE

Material: Brass

Finish: /1 /24 /R2



Art. **DQ3135** For glass From 6 to 8 mm

Qty 1 Pc

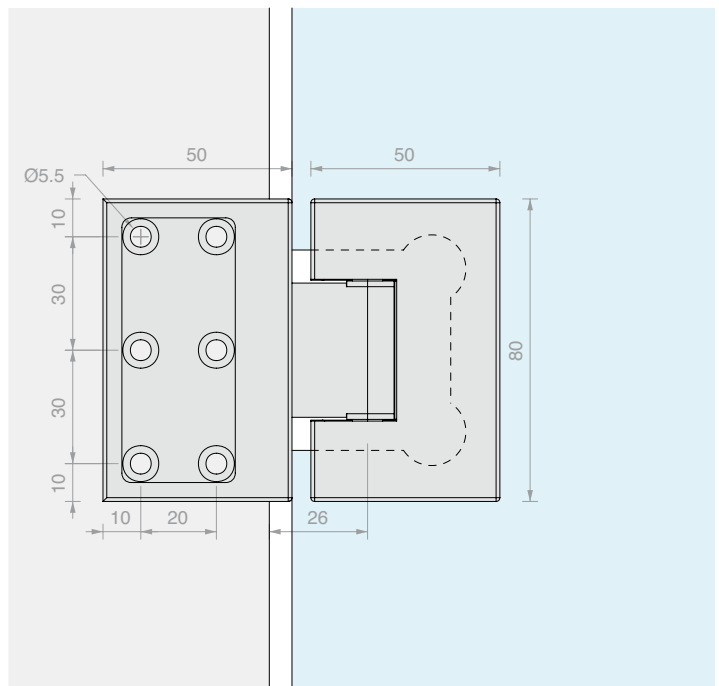
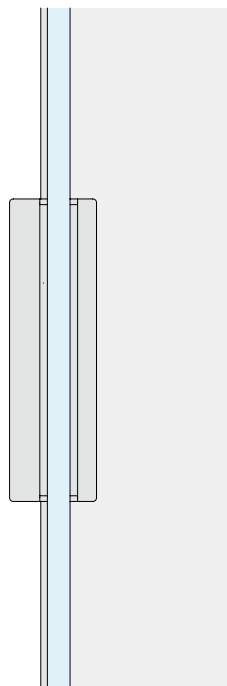
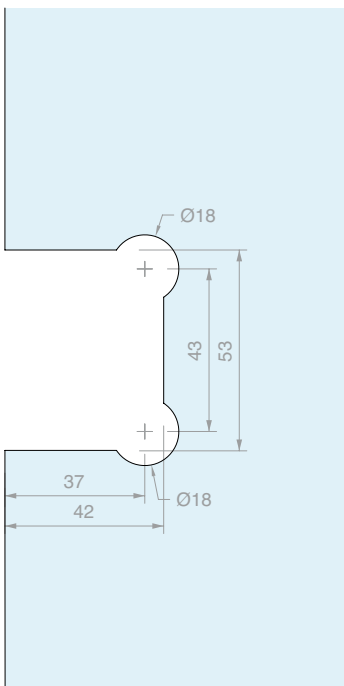
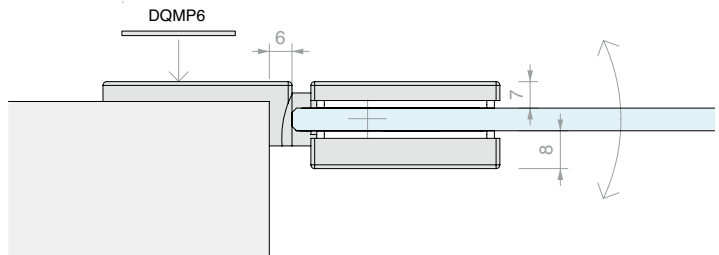
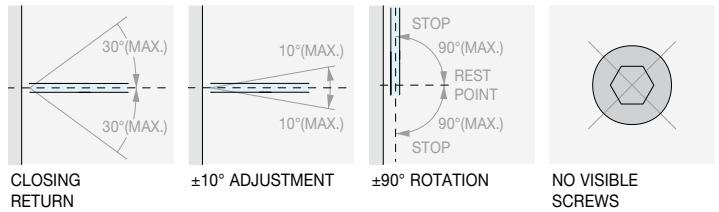
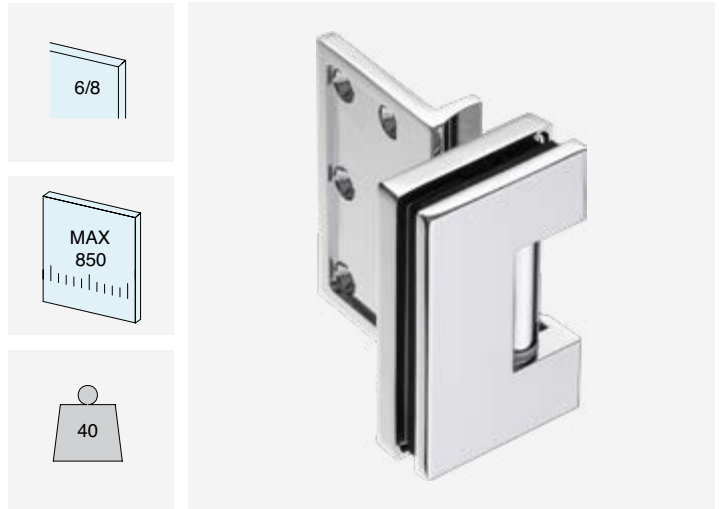


**WALL/GLASS ADJUSTABLE
IN-LINE HINGE**

Material: Brass

Finish: /1 /24

Spare plate DQMP6 on page 235



Art.	For glass	Qty
DQ37	From 6 to 8 mm	1 Pc



GOCCIA 35

GOCCIA 50

GLMFLAT

DCCFLAT

GIUMAX

DQSG SERIES

SQUARE SERIES

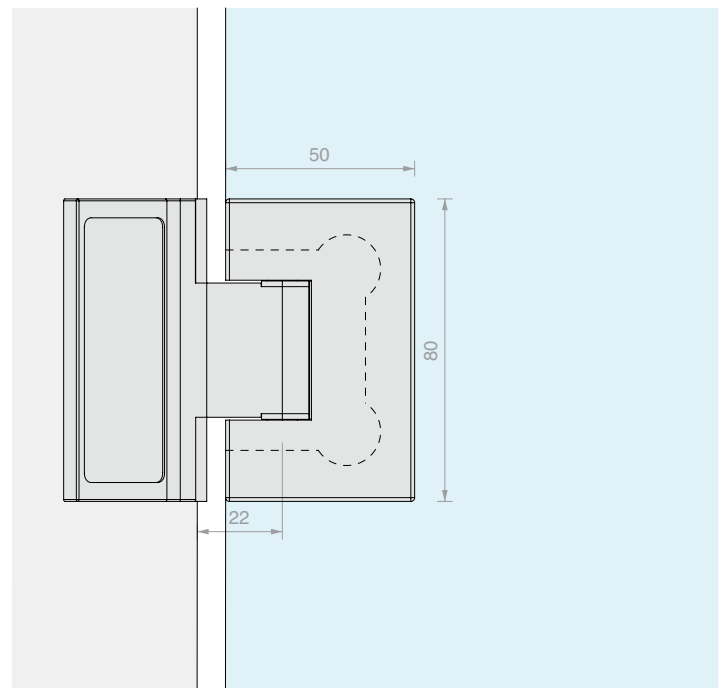
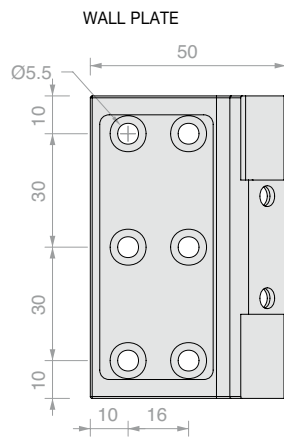
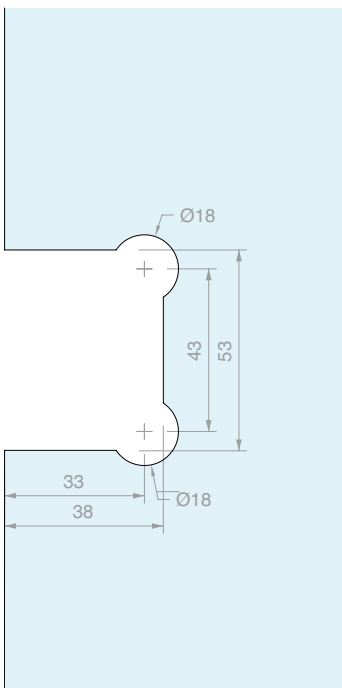
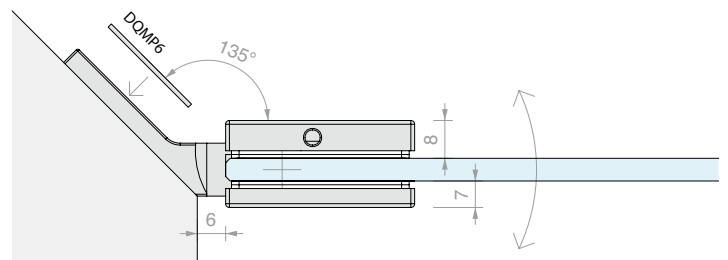
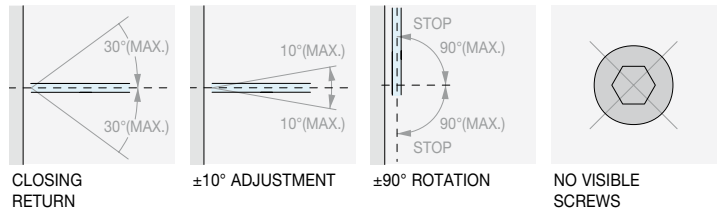


WALL/GLASS 135° ADJUSTABLE HINGE

Material: Brass

Finish: /1 /24

Spare plate DQMP6 on page 235



Art. **DQ375**

For glass
From 6 to 8 mm

Qty
1 Pc





GOCCIA 35

GOCCIA 50

GLMFLAT

DCCFLAT

GIUMAX

DQSG SERIES

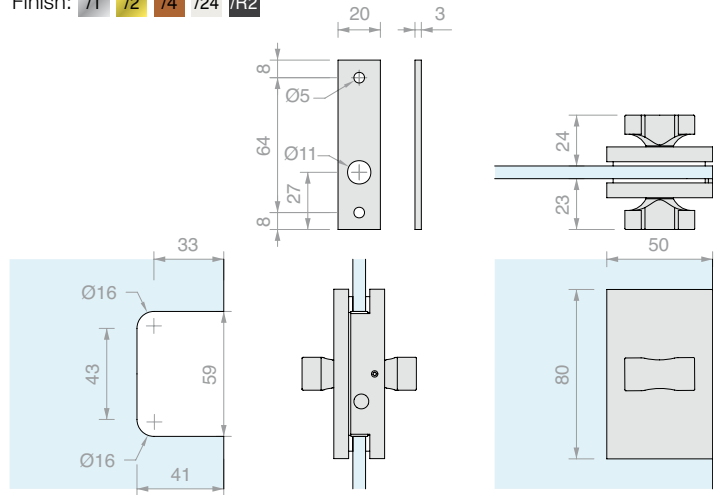
SQUARE SERIES



LOCK WITH DOUBLE DOOR KNOB

Material: Brass

Finish: /1 /2 /4 /24 /R2



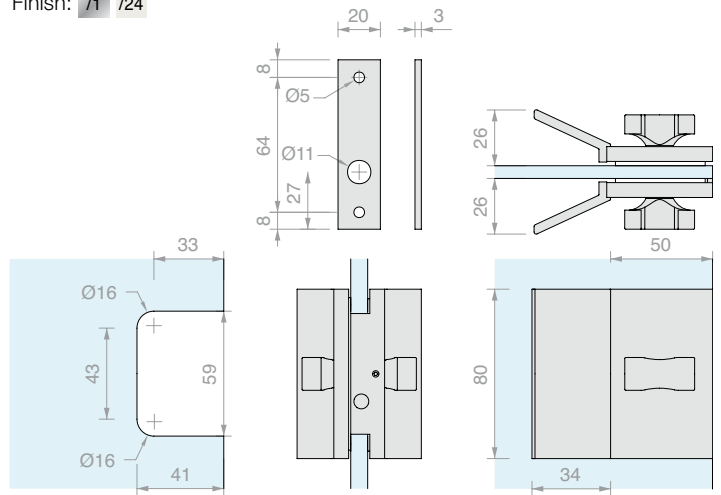
Art.	Pin	For glass	Qty
DQC35	Ø7 L 15 mm	From 6 to 8 mm	1 Pc



LOCK WITH DOUBLE DOOR KNOB AND HANDLES

Material: Brass

Finish: /1 /24



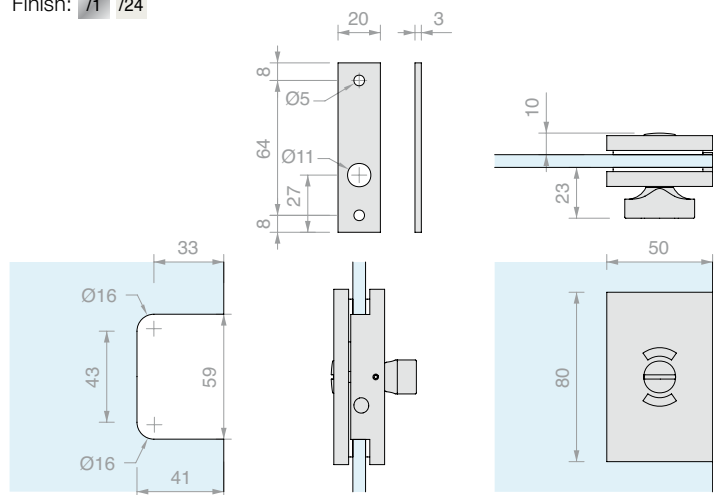
Art.	Pin	For glass	Qty
DQC37	Ø7 L 15 mm	From 6 to 8 mm	1 Pc



FREE/OCCUPIED LOCK WITH DOOR KNOB

Material: Brass

Finish: /1 /24



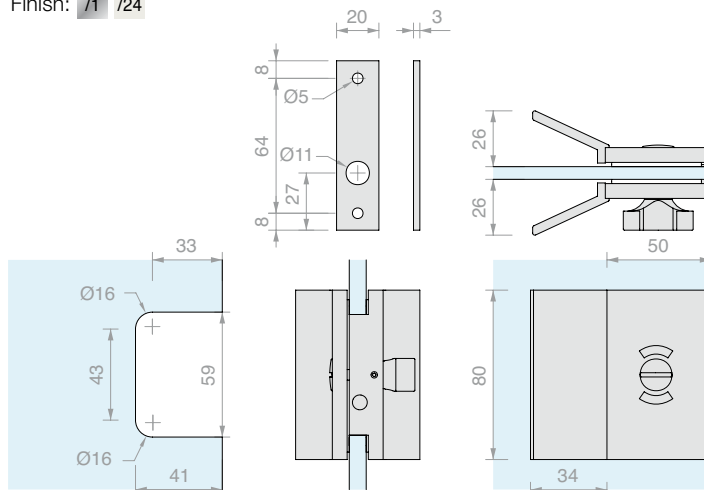
Art.	Pin	For glass	Qty
DQC38	Ø7 L 15 mm	From 6 to 8 mm	1 Pc



FREE/OCCUPIED LOCK WITH DOOR KNOB AND HANDLES

Material: Brass

Finish: /1 /24



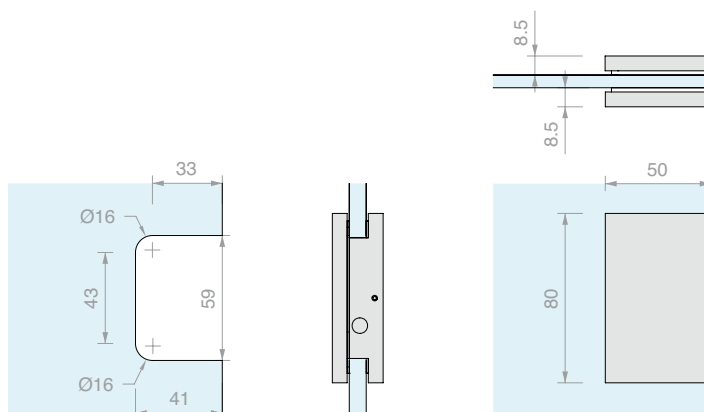
Art.	Pin	For glass	Qty
DQC39	Ø7 L 15 mm	From 6 to 8 mm	1 Pc



STRIKE PLATE FOR GLASS

Material: Brass

Finish: /1 /2 /4 /24 /R2



Art.	For glass	Qty
DQC395	From 6 to 8 mm	1 Pc





GOCCIA 35

GOCCIA 50

GLMFLAT

DCCFLAT

GIUMAX

DQSG SERIES

SQUARE SERIES

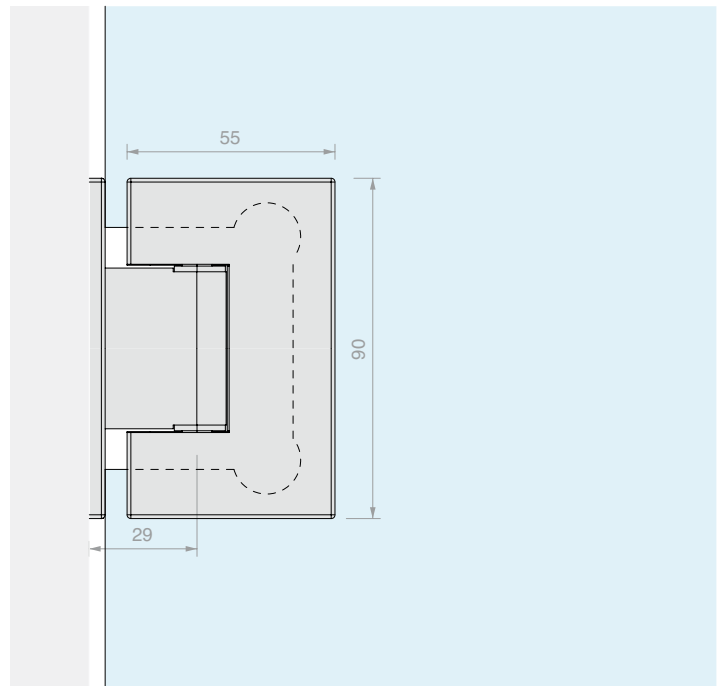
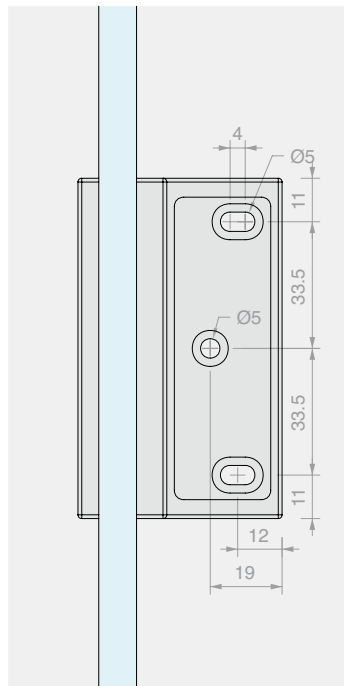
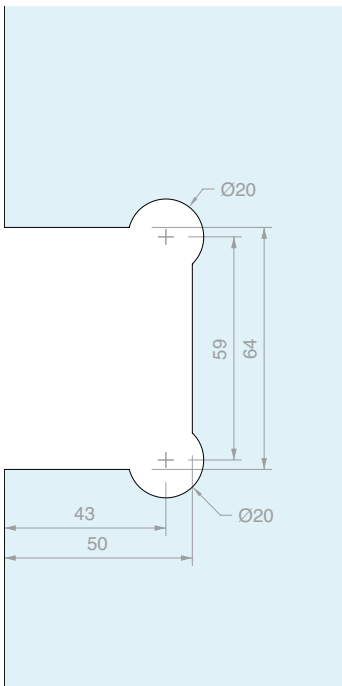
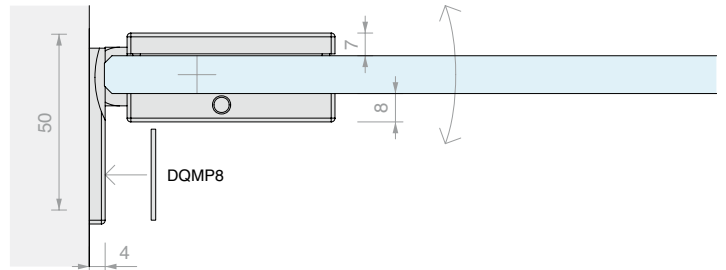
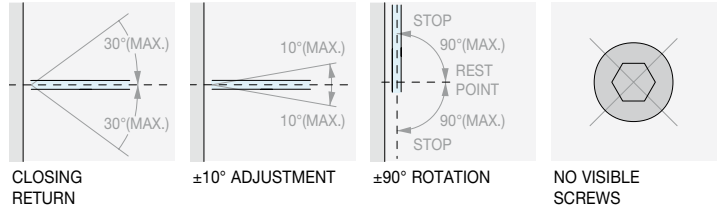
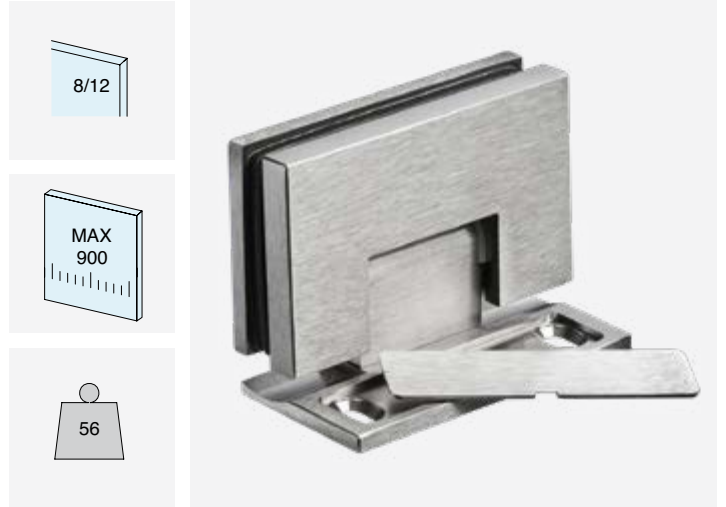


WALL/GLASS ADJUSTABLE SIDE HINGE

Material: Brass

Finish: /1 /2 /4 /24 /R2

Spare plate DQMP8 on page 235



Art. **DQ40COV**

For glass
From 8 to 12 mm

Qty
1 Pc

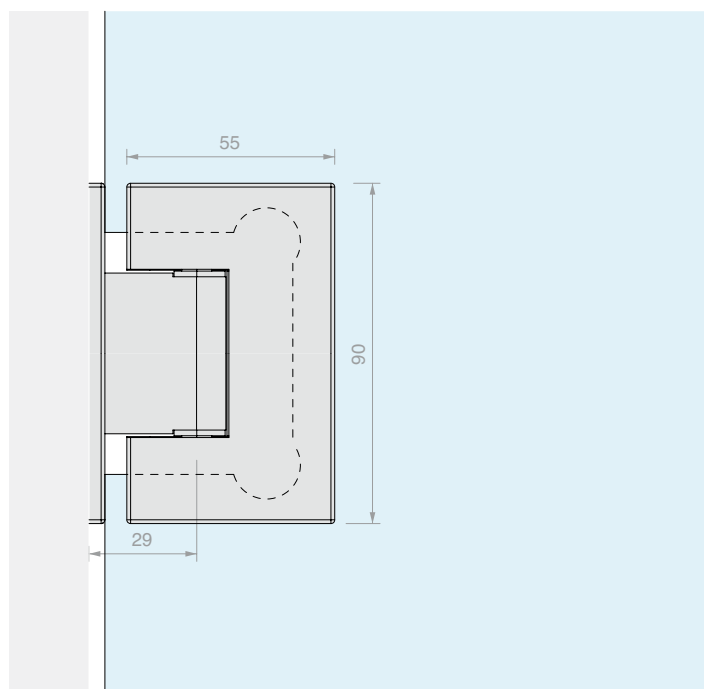
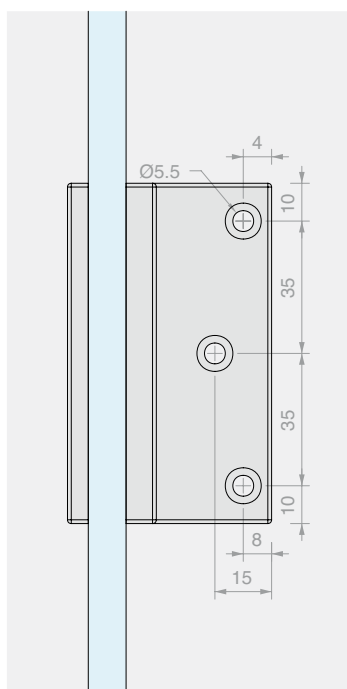
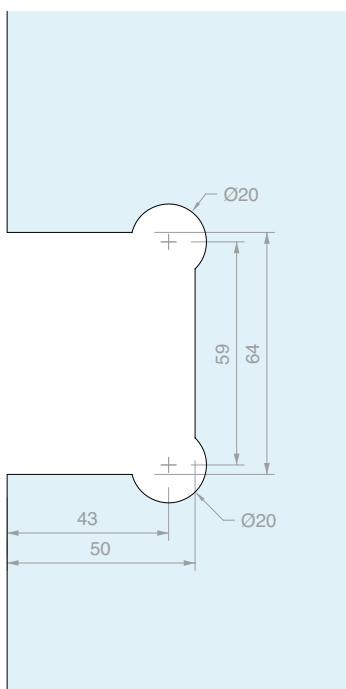
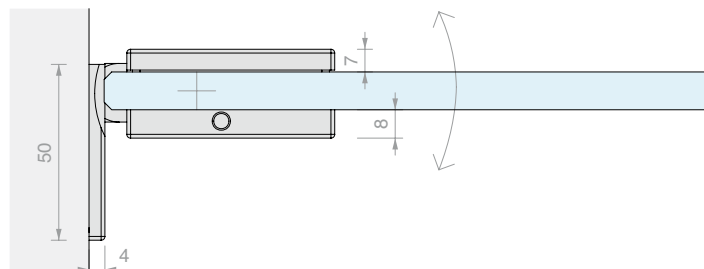


**WALL/GLASS ADJUSTABLE
SIDE HINGE**

Material: Brass

Finish: /1 /24 /R2

Provided with adhesive screw covers



Art.	For glass	Qty
DQ40	From 8 to 12 mm	1 Pc



GOCCIA 35

GOCCIA 50

GLMFLAT

DCCFLAT

GIUMAX

DQSG SERIES

SQUARE SERIES

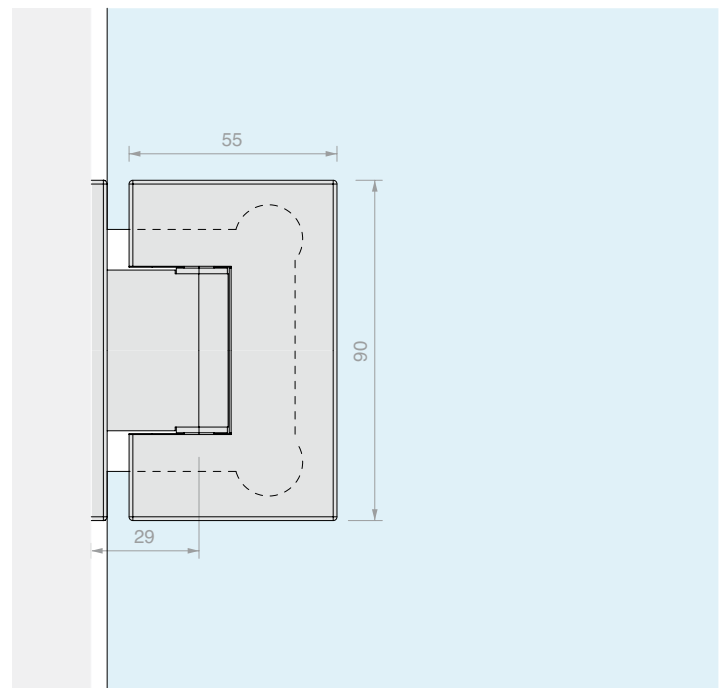
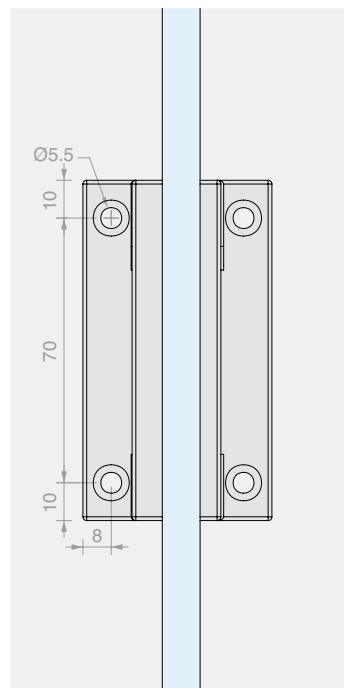
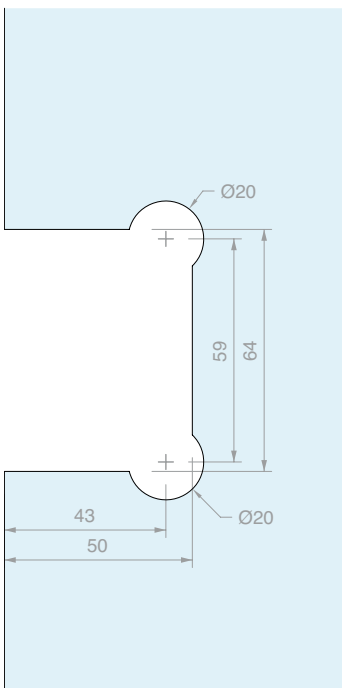
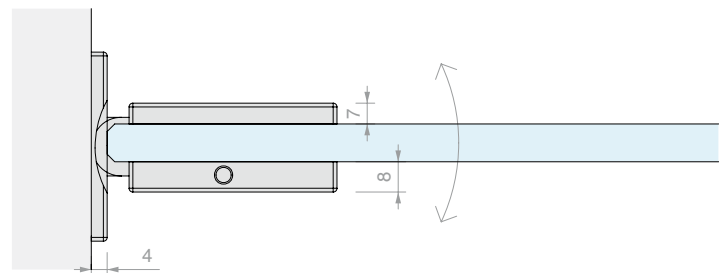
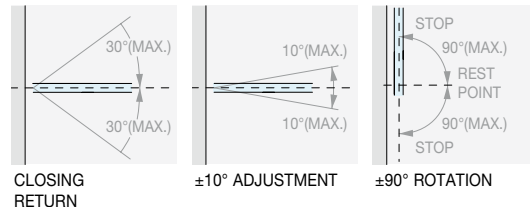
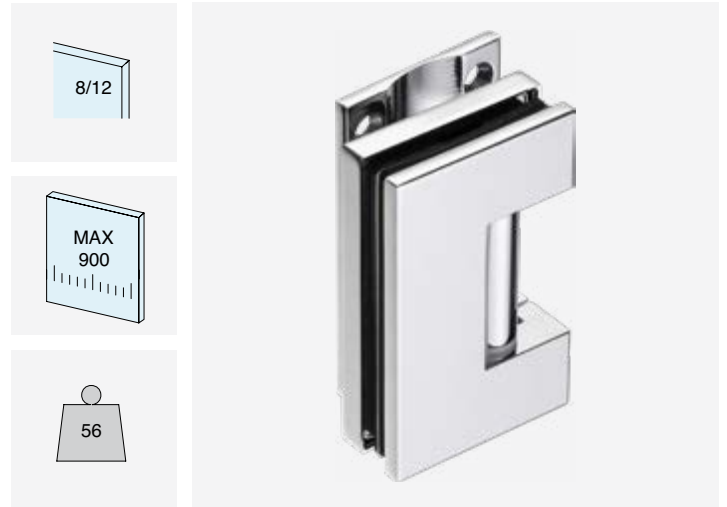


WALL/GLASS ADJUSTABLE CENTRAL HINGE

Material: Brass

Finish: /1 /24 /R2

Provided with adhesive screw covers



Art. **DQ42**

For glass
From 8 to 12 mm

Qty
1 Pc

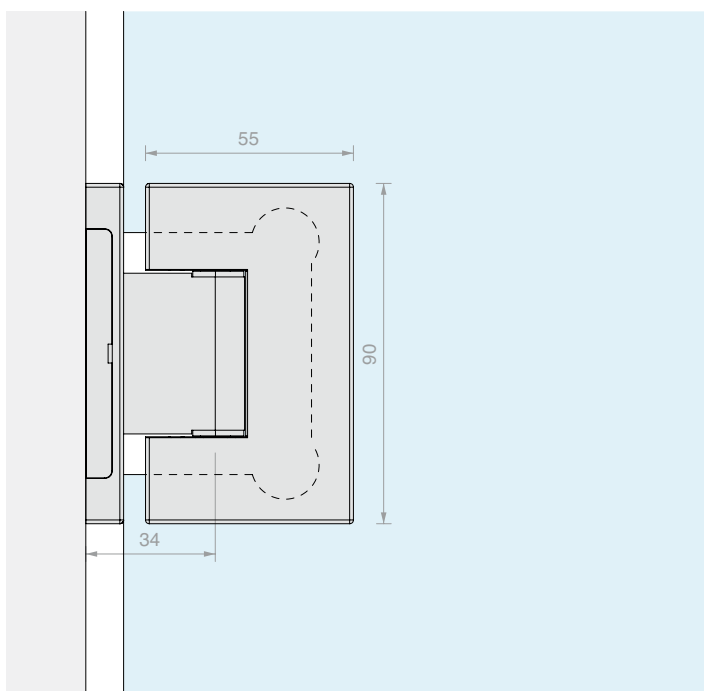
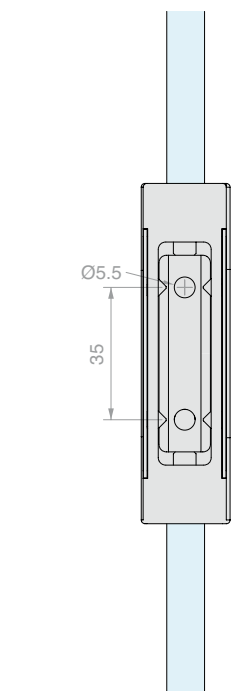
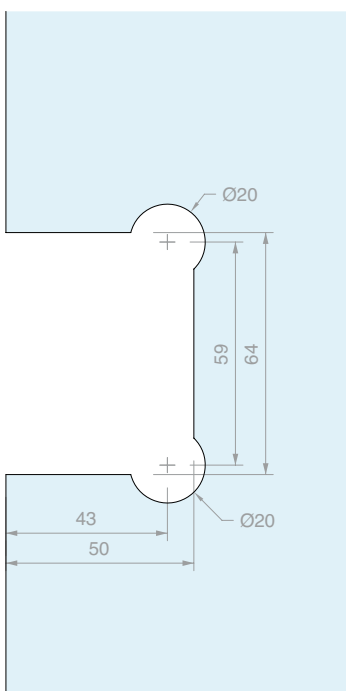
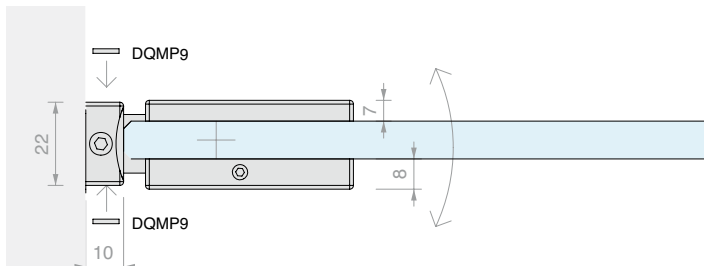
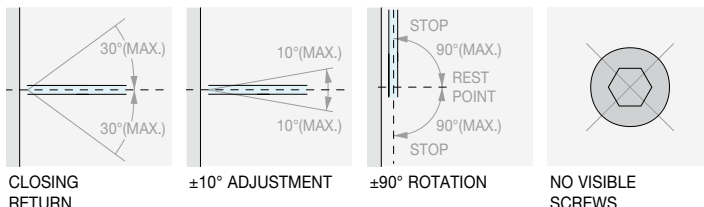


WALL/GLASS ADJUSTABLE HINGE FOR NARROW JAMBS

Material: Brass

Finish: /1 /2 /24 /R2

Spare plate DQMP9 on page 235



Art.	For glass	Qty
DQ44	From 8 to 12 mm	1 Pc



GOCCIA 35

GOCCIA 50

GLMFLAT

DCCFLAT

GIUMAX

DQSG SERIES

SQUARE SERIES

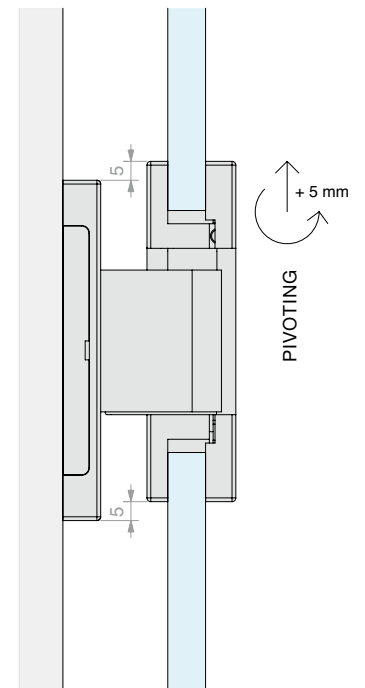
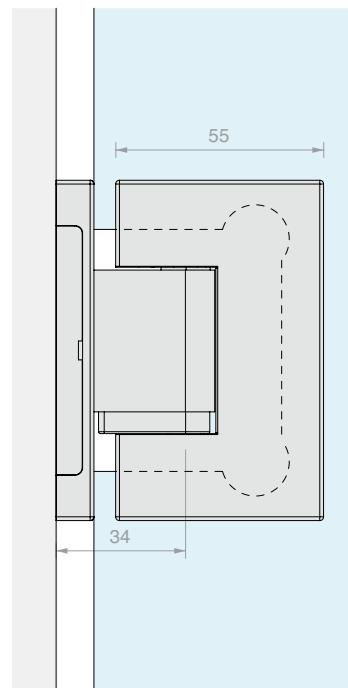
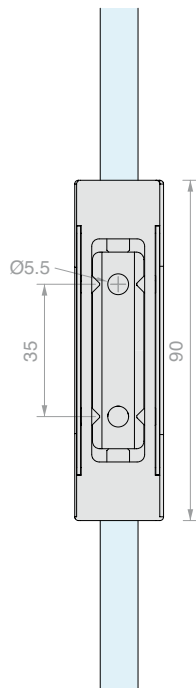
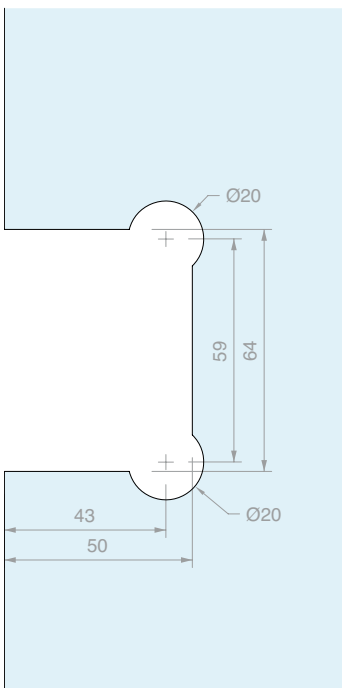
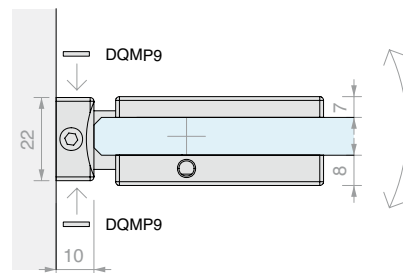
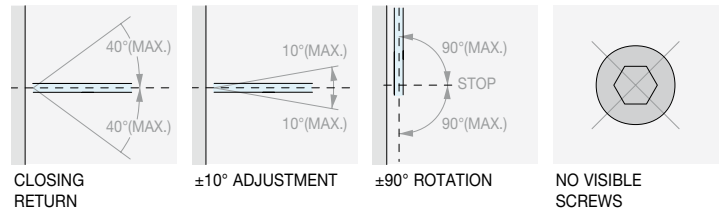


WALL/GLASS ADJUSTABLE PIVOT HINGE FOR NARROW DOOR JAMBS

Material: Brass

Finish: /1 /2 /24 /R2

Spare plate DQMP9 on page 235



Art. **DQ44P**

For glass
From 8 to 12 mm

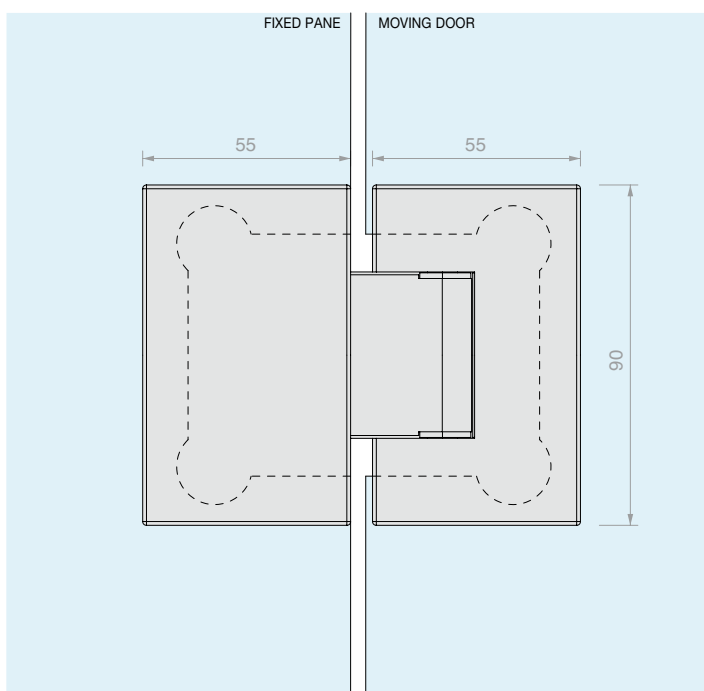
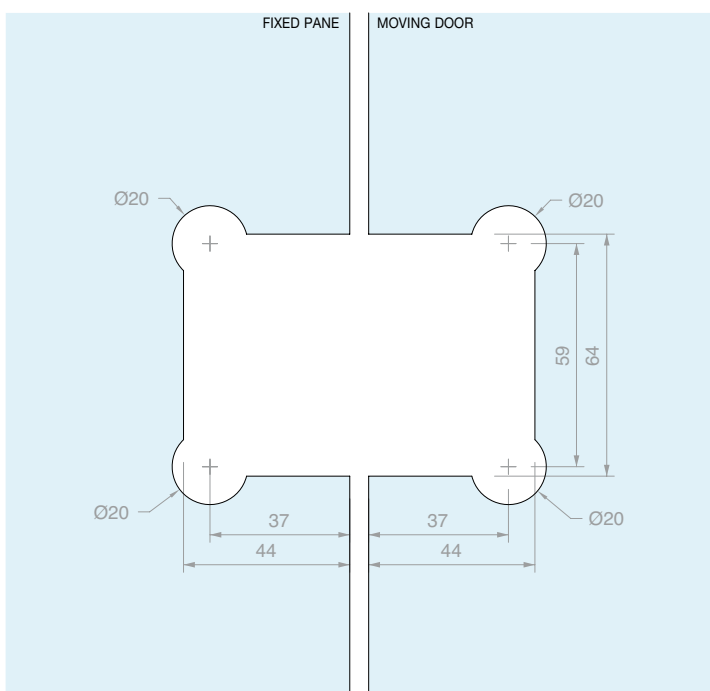
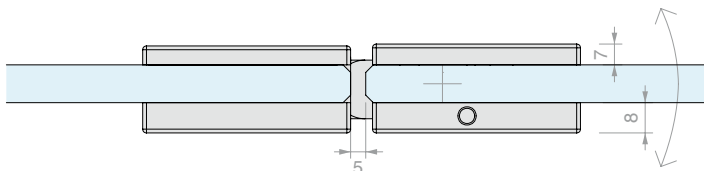
Qty
1 Pc



**GLASS/GLASS ADJUSTABLE
IN-LINE HINGE**

Material: Brass

Finish: /1 /2 /4 /24 /R2



Art. **DQ480** For glass From 8 to 12 mm

Qty 1 Pc



GOCCIA 35

GOCCIA 50

GLMFLAT

DCCFLAT

GIUMAX

DQSG SERIES

SQUARE SERIES



GLASS/GLASS IN-LINE ADJUSTABLE PIVOT HINGE

Material: Brass

Finish: /1 /2 /24 /R2

8/12

MAX 900

56

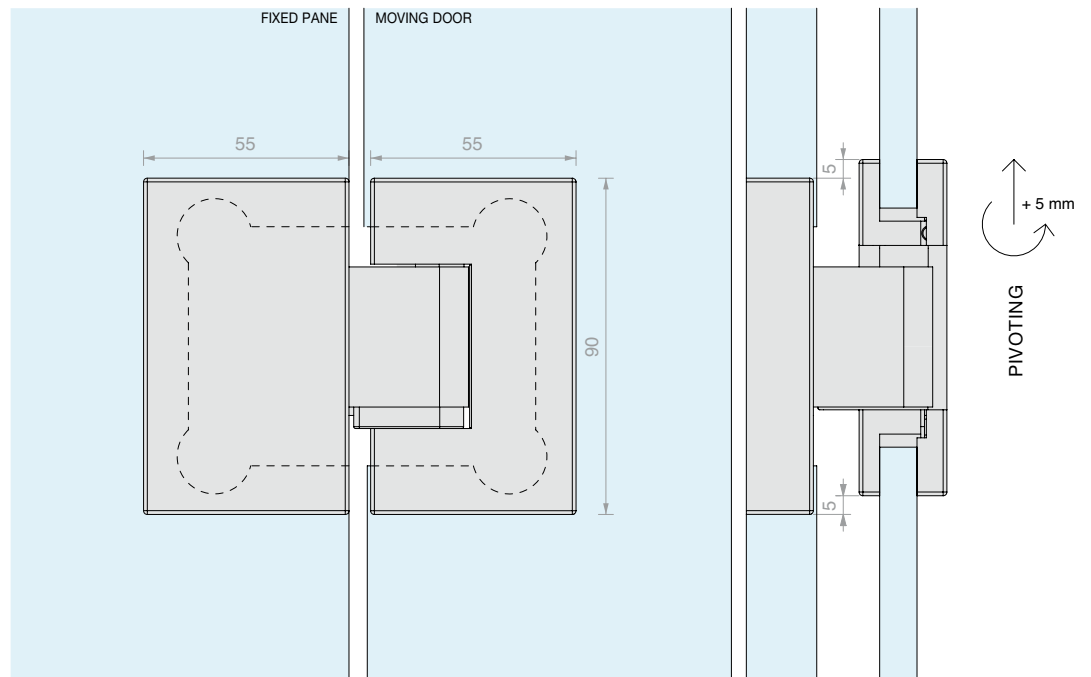
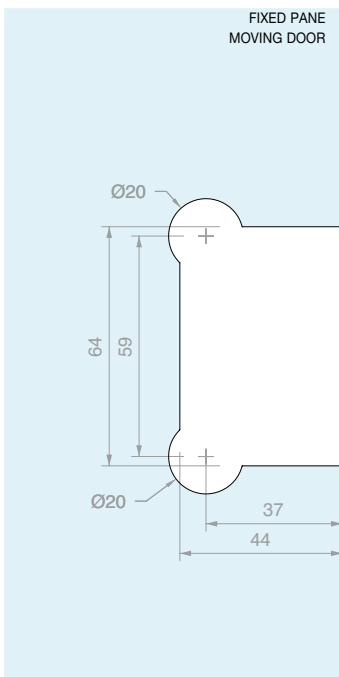
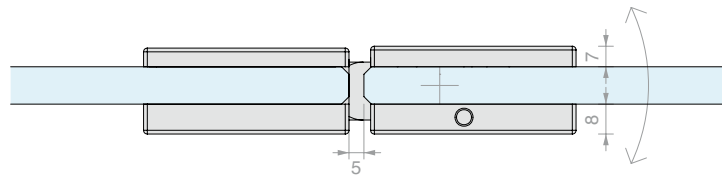
Pivot + 5 mm

CLOSING RETURN: 30°(MAX.)

±10° ADJUSTMENT: 10°(MAX.)

±90° ROTATION: 90°(MAX.) STOP

NO VISIBLE SCREWS



Art. **DQ480P**

For glass
From 8 to 12 mm

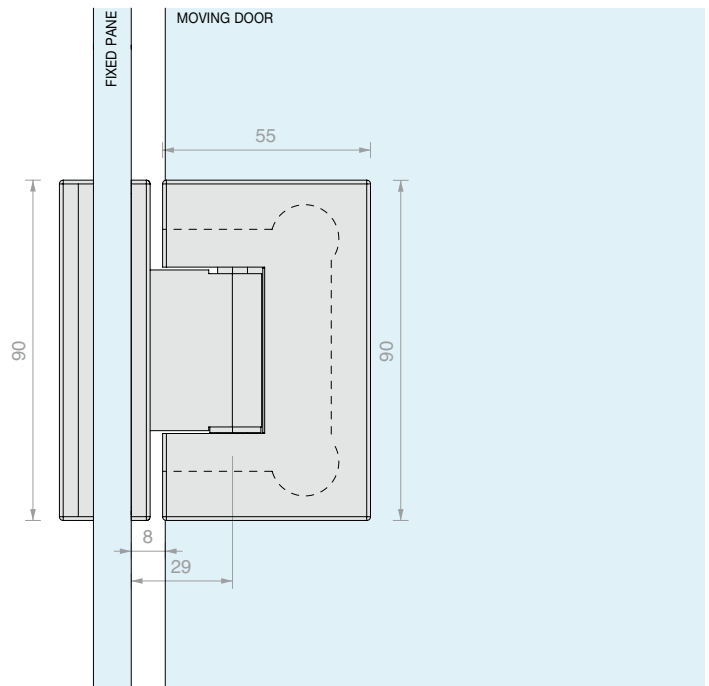
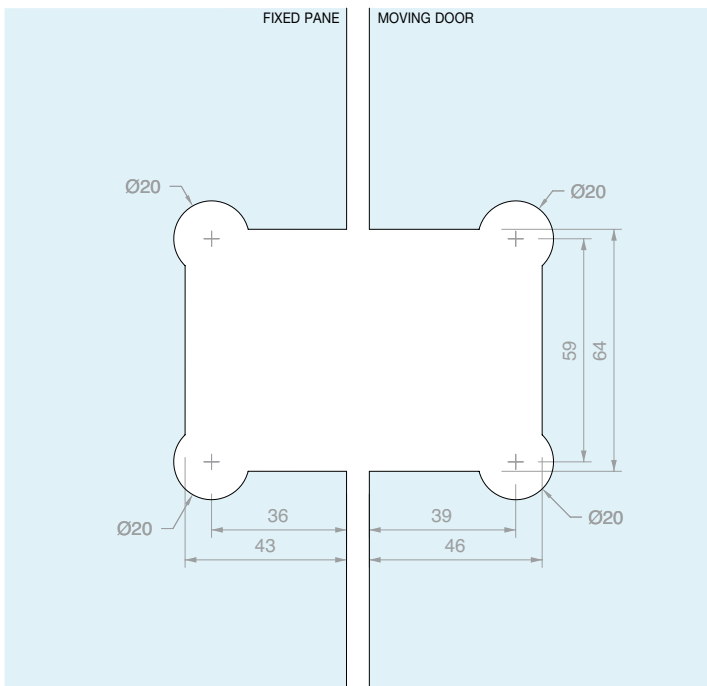
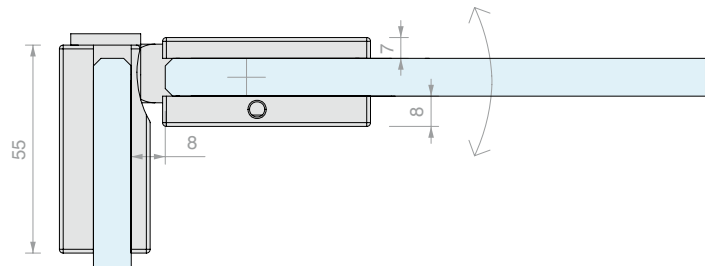
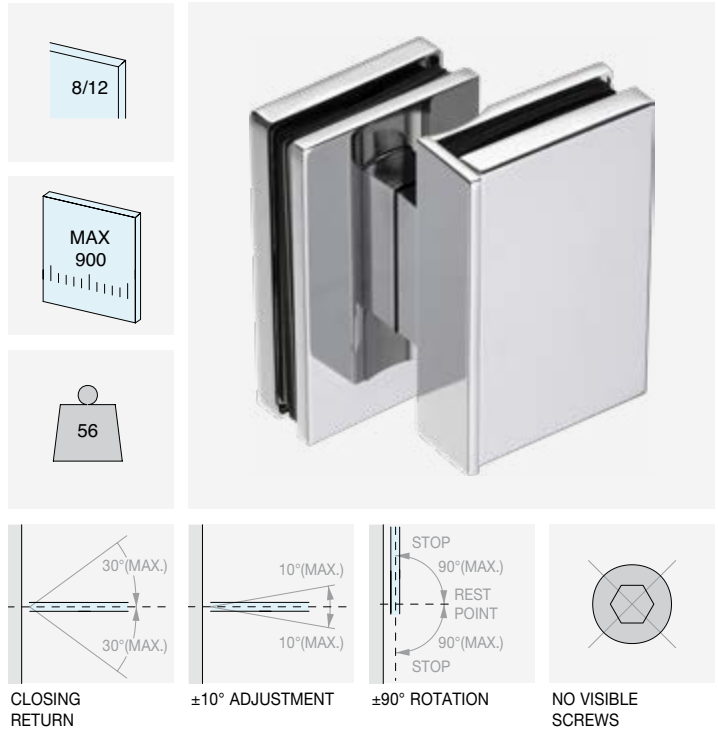
Qty
1 Pc



**GLASS/GLASS 90°
ADJUSTABLE HINGE**

Material: Brass

Finish: /1 /24 /R2



Art. **DQ490** For glass From 8 to 12 mm

Qty 1 Pc



GOCCIA 35

GOCCIA 50

GLMFLAT

DCCFLAT

GIUMAX

DQSG SERIES

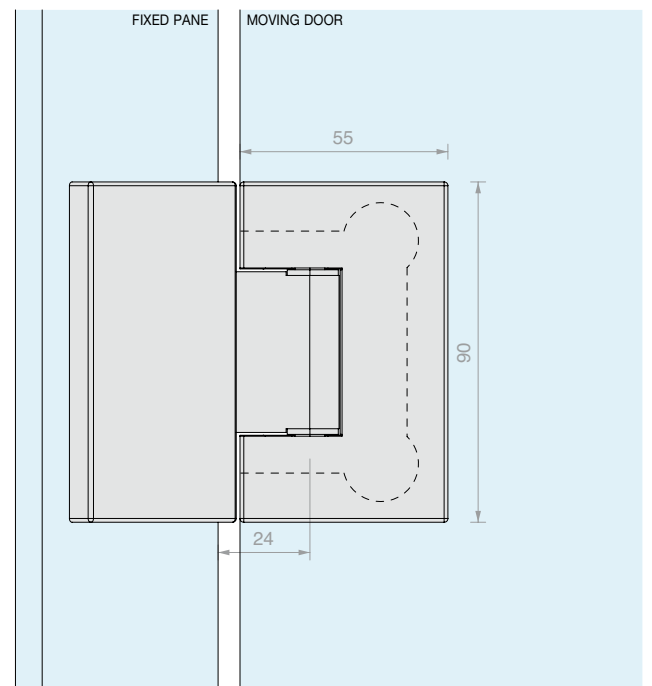
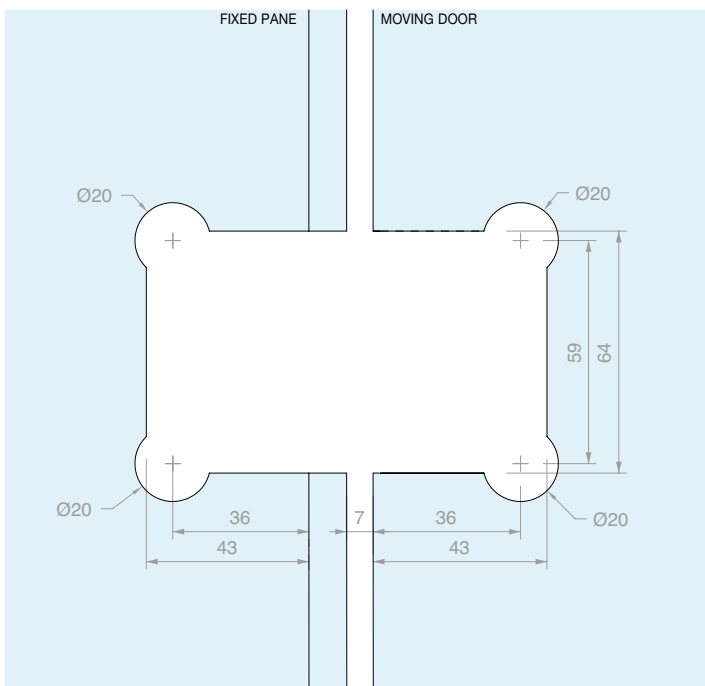
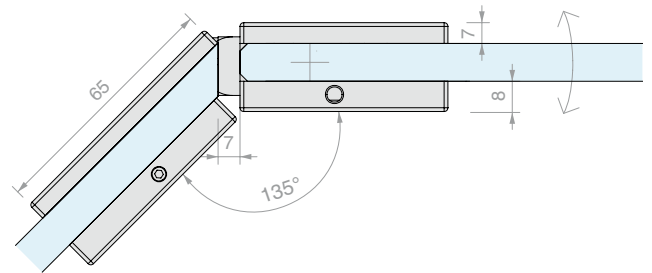
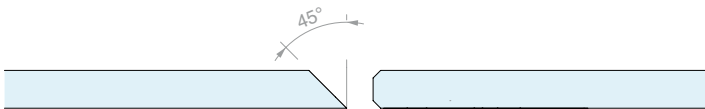
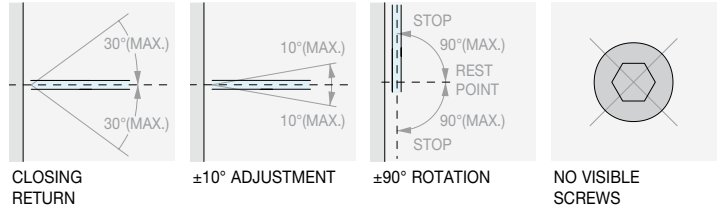
SQUARE SERIES



GLASS/GLASS 135° ADJUSTABLE HINGE

Material: Brass

Finish: /1 /R2



Art. **DQ4135** For glass From 8 to 12 mm

Qty 1 Pc

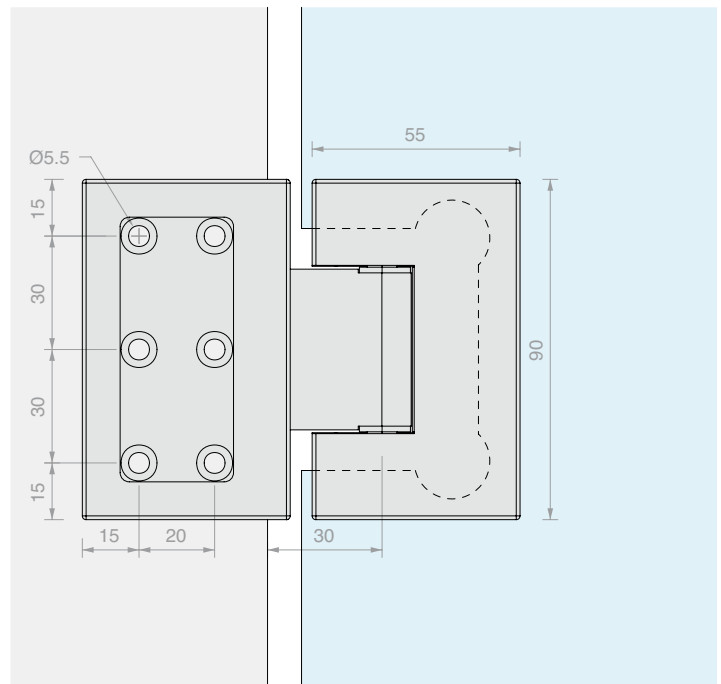
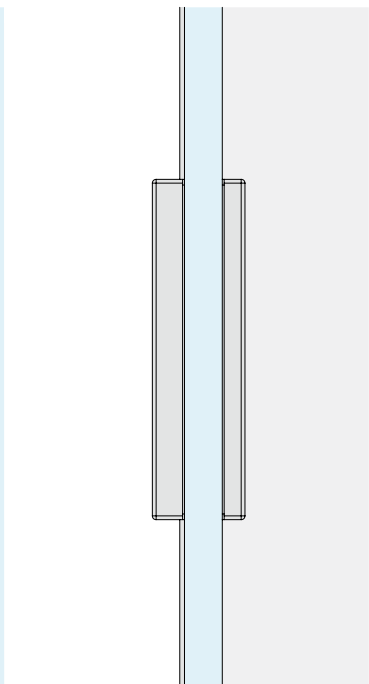
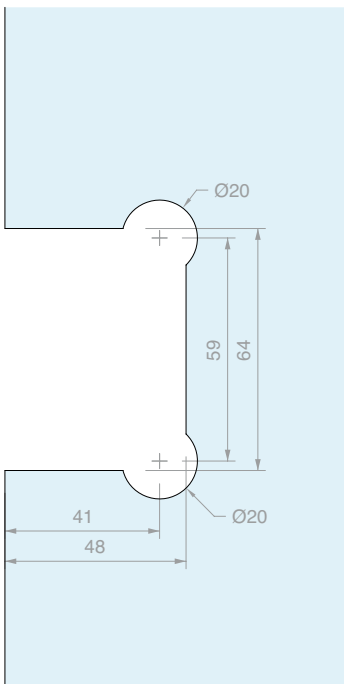
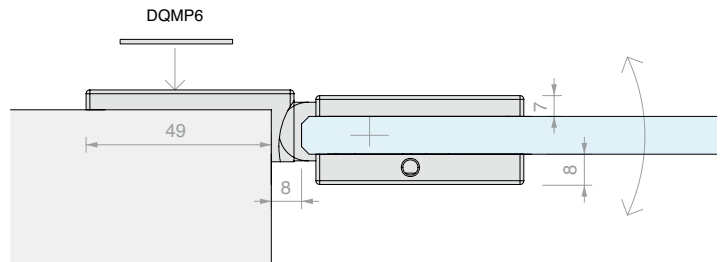
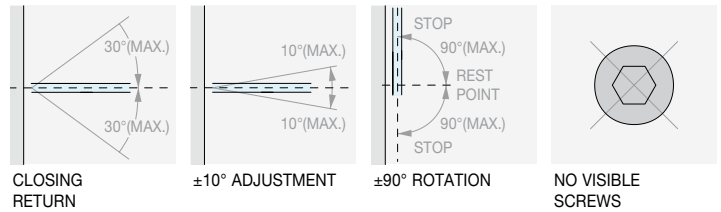
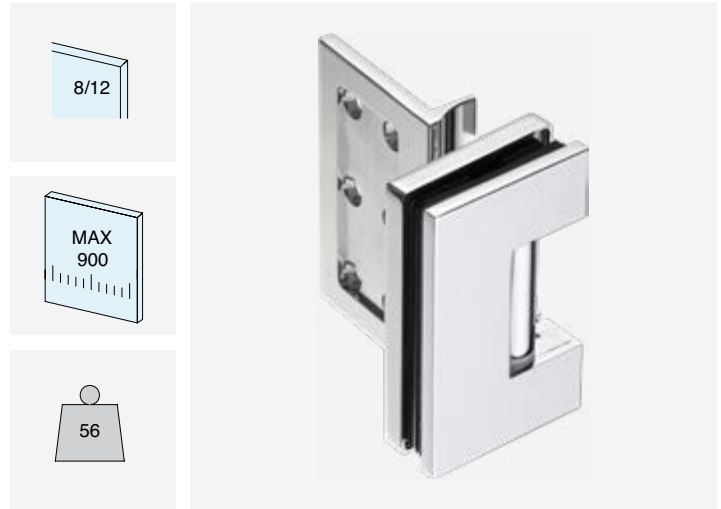


**WALL/GLASS ADJUSTABLE
IN-LINE HINGE**

Material: Brass

Finish: /1 /24

Spare plate DQMP6 on page 235



Art.	For glass	Qty
DQ475	From 8 to 12 mm	1 Pc



GOCCIA 35

GOCCIA 50

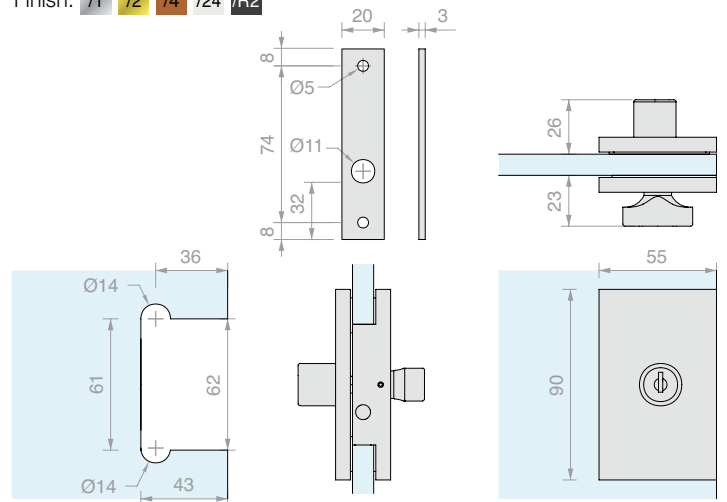
GLMFLAT



CLOSURE WITH DOOR KNOB AND KEY LOCK

Material: Brass

Finish: /1 /2 /4 /24 /R2



Art.	Pin	For glass	Key	Qty
DQC51	Ø7 L 15.5 mm	From 10 to 12 mm	Different	1 Pc

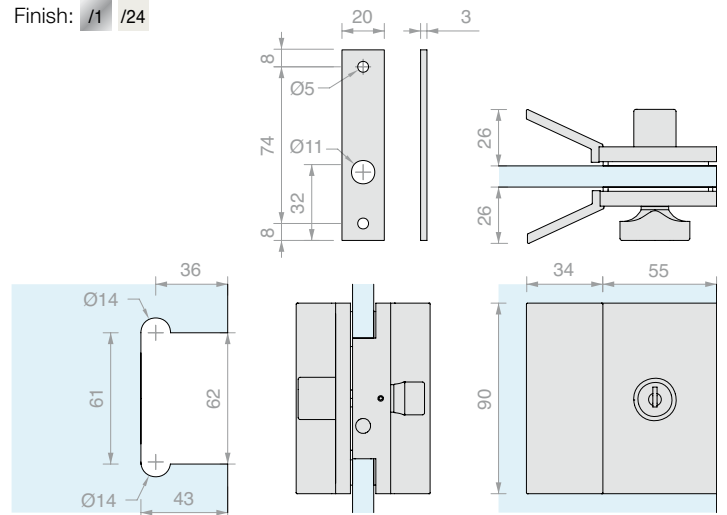
DCCFLAT



CLOSURE WITH DOOR KNOB, KEY LOCK AND HANDLES

Material: Brass

Finish: /1 /24



Art.	Pin	For glass	Key	Qty
DQC53	Ø7 L 15.5 mm	From 10 to 12 mm	Different	1 Pc

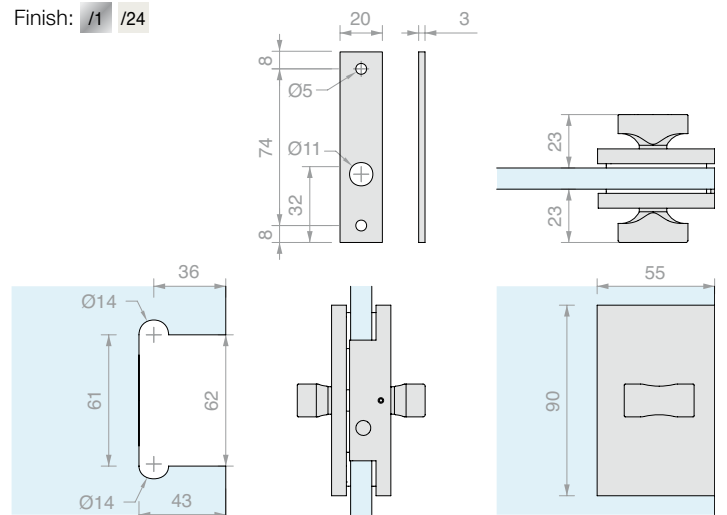
GIUMAX



LOCK WITH DOUBLE DOOR KNOB

Material: Brass

Finish: /1 /24



Art.	Pin	For glass	Qty
DQC55	Ø7 L 15.5 mm	From 10 to 12 mm	1 Pc

DQSG SERIES

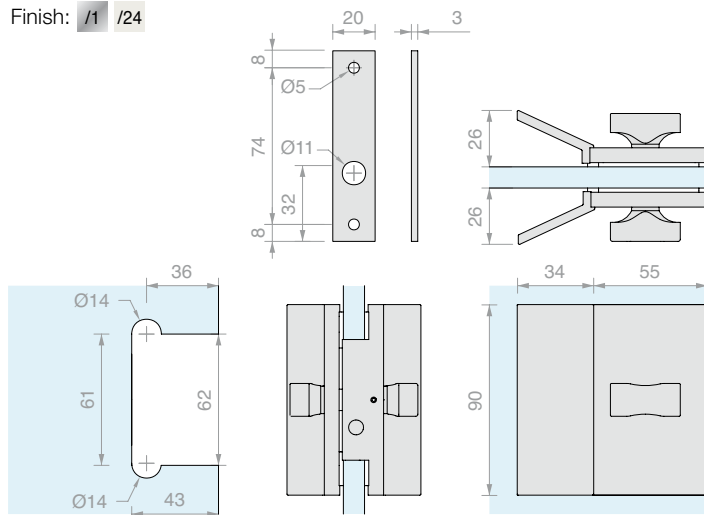
SQUARE SERIES



LOCK WITH DOUBLE DOOR KNOB AND HANDLES

Material: Brass

Finish: /1 /24



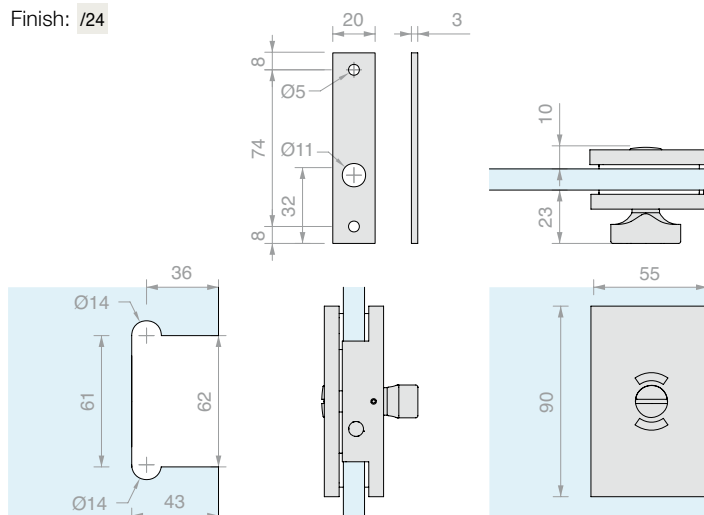
Art.	Pin	For glass	Qty
DQC575	Ø7 L 15.5 mm	From 10 to 12 mm	1 Pc



FREE/OCCUPIED LOCK WITH DOOR KNOB

Material: Brass

Finish: /24



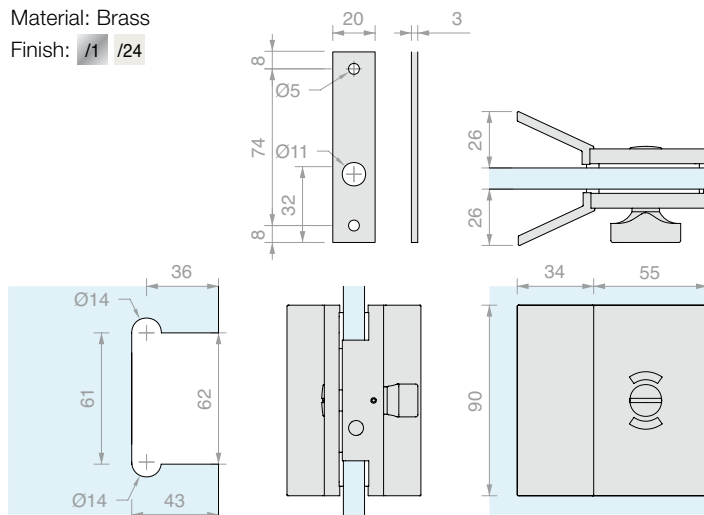
Art.	Pin	For glass	Qty
DQC58	Ø7 L 15.5 mm	From 10 to 12 mm	1 Pc



FREE/OCCUPIED CLOSURE WITH DOOR KNOB AND HANDLES

Material: Brass

Finish: /1 /24



Art.	Pin	For glass	Qty
DQC59	Ø7 L 15.5 mm	From 10 to 12 mm	1 Pc



GOCCIA 35

GOCCIA 50

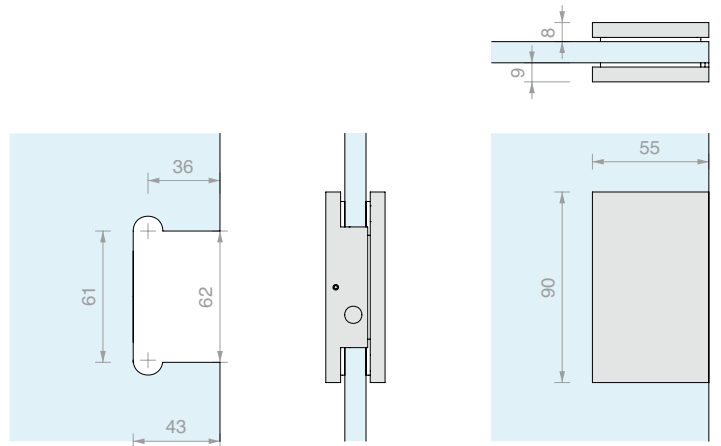
GLMFLAT



STRIKE PLATE FOR GLASS

Material: Brass

Finish: /1 /2 /4 /24 /R2



Art.	For glass	Qty
DQC61	From 10 to 12 mm	1 Pc

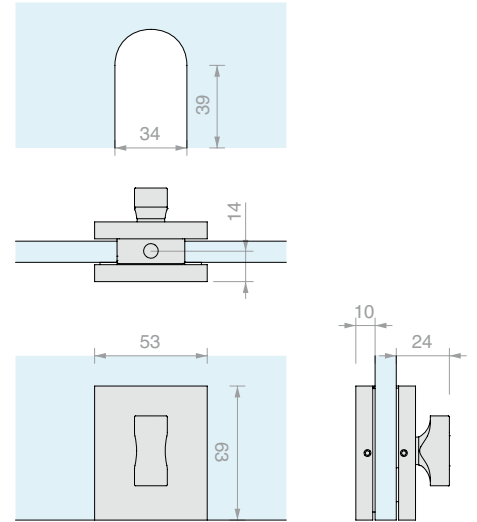
DCCFLAT



BOLT

Material: Brass

Finish: /1 /24



Art.	Pin	For glass	Qty
DQC63	Ø7.5 L 13.5 mm	From 10 to 12 mm	1 Pc

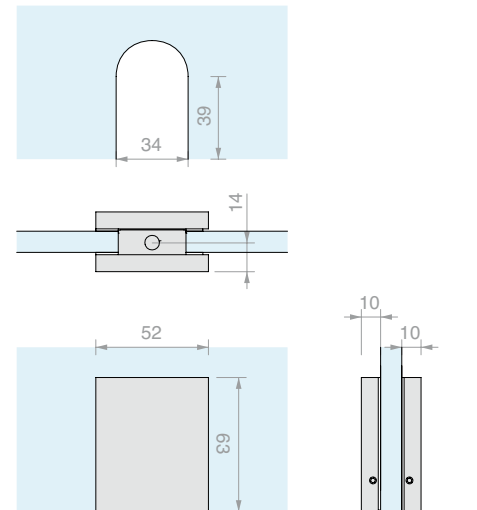
GIUMAX



BOLT STRIKE PLATE

Material: Brass

Finish: /1 /24



Art.	For glass	Qty
DQC65	From 10 to 12 mm	1 Pc

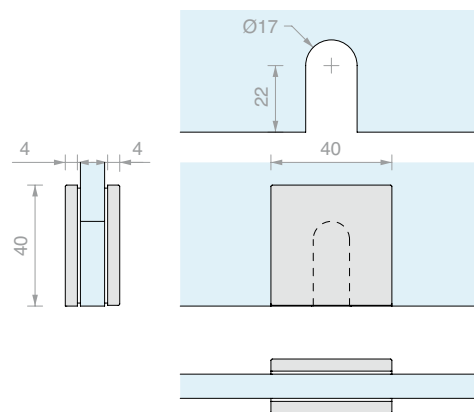
DQSG SERIES

SQUARE SERIES



WALL/GLASS FLUSH TO WALL CLAMP

Material: Brass
 Invisible screws
 Finish: /1 /2 /4 /24 /73 /R2
 Spare plate DQMP2 on page 235

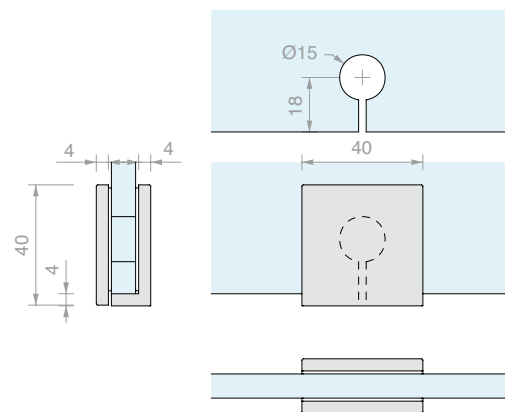


Art.	For glass	Qty
DQM41	From 6 to 12 mm	1 Pc



WALL/GLASS CLAMP

Material: Brass
 Invisible screws
 Finish: /1 /24 /R2
 Spare plate DQMP2 on page 235

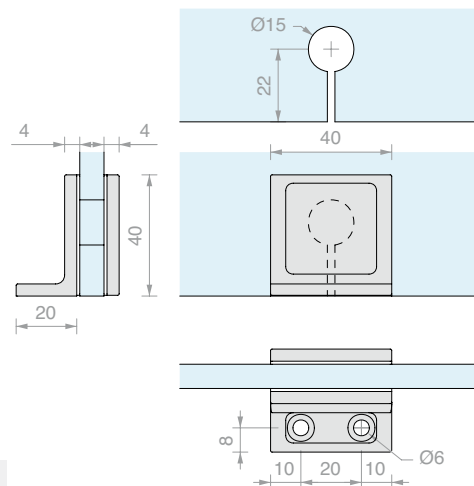


Art.	For glass	Qty
DQM43	From 6 to 12 mm	1 Pc



WALL/GLASS SIDE FIXING CLAMP, NARROW

Material: Brass
 Invisible screws
 Finish: /1 /2 /4 /24 /73 /R2
 Spare plate DQMP2 and DQPM4 on page 235

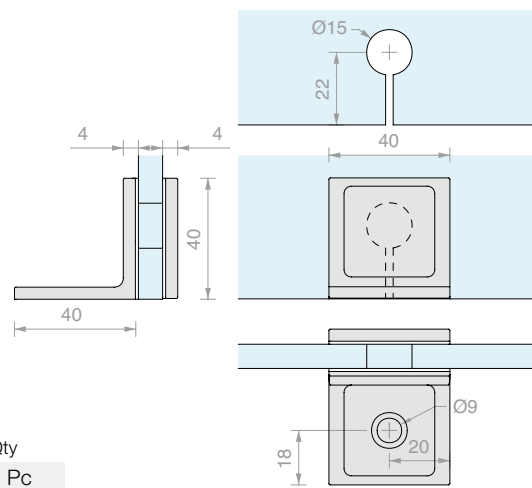


Art.	For glass	Qty
DQM57	From 6 to 12 mm	1 Pc



WALL/GLASS SIDE FIXING CLAMP, LARGE

Material: Brass
 Invisible screws
 Finish: /1 /24 /R2
 Spare plate DQMP2 on page 235



Art.	For glass	Qty
DQM52	From 6 to 12 mm	1 Pc



GOCCIA 35

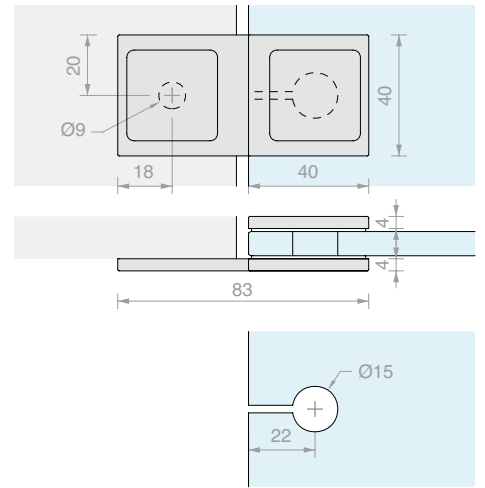
WALL/GLASS IN-LINE CLAMP

Material: Brass

Invisible screws

Finish: /1 /24 /R2

Spare plate DQMP2 on page 235



Art.	For glass	Qty
DQM50	From 6 to 12 mm	1 Pc

GOCCIA 50

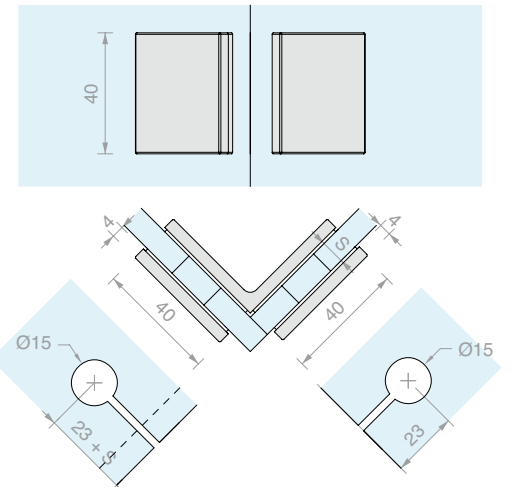
GLASS/GLASS 90° CLAMP

Material: Brass

Invisible screws

Finish: /1 /2 /4 /24 /73 /R2

Spare plate DQMP2 on page 235



Art.	For glass	Qty
DQM47	From 6 to 12 mm	1 Pc

GLMFLAT

DCCFLAT

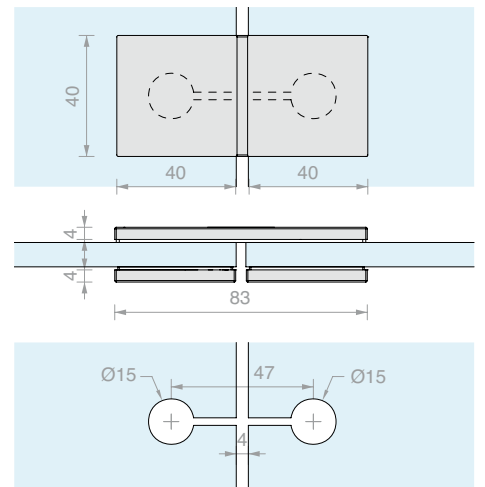
GLASS/GLASS IN-LINE CLAMP

Material: Brass

Invisible screws

Finish: /1 /24 /R2

Spare plate DQMP2 on page 235



Art.	For glass	Qty
DQM45	From 6 to 12 mm	1 Pc

GIUMAX

DQSG SERIES

SQUARE SERIES

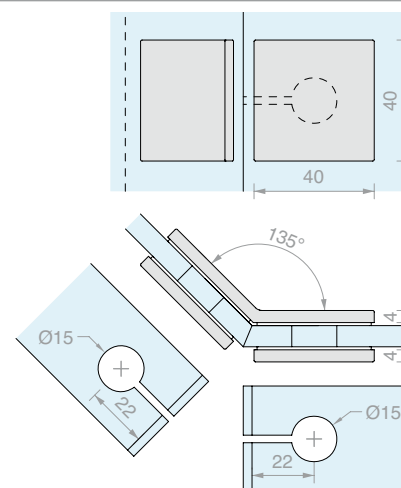
GLASS/GLASS 135° CLAMP

Material: Brass

Invisible screws

Finish: /1

Spare plate DQMP2 on page 235



Art.	For glass	Qty
DQM49	From 6 to 12 mm	1 Pc

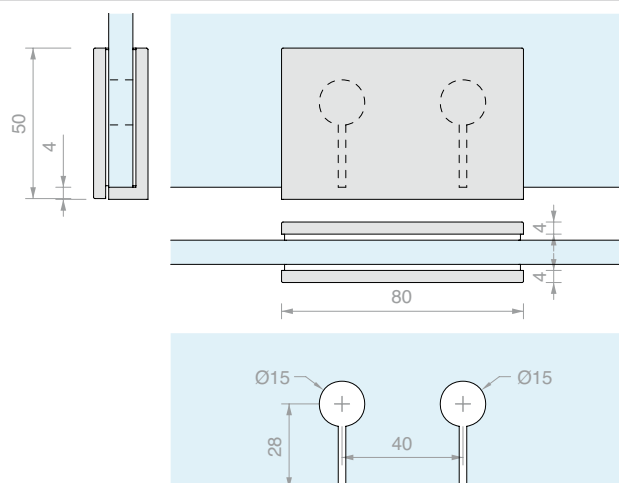
WALL/GLASS CLAMP

Material: Brass

Invisible screws

Finish: /1 /24 /R2

Spare plate DQMP6 on page 235



Art.	For glass	Qty
DQM09	From 6 to 12 mm	1 Pc

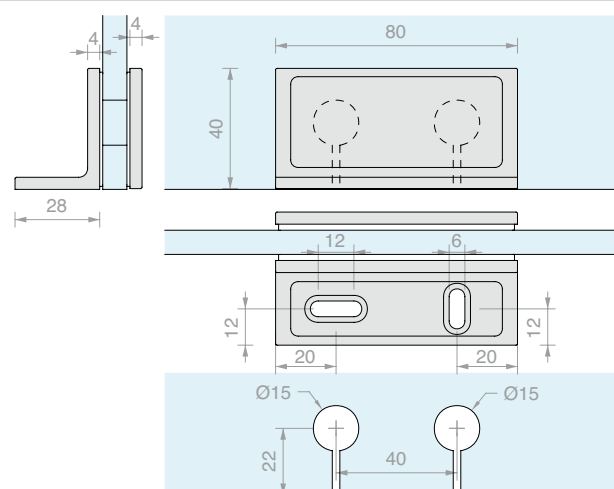
WALL/GLASS SIDE FIXING CLAMP, NARROW

Material: Brass

Invisible screws

Finish: /1 /2 /4 /24 /R2

Spare plate DQMP6 and DQMP7 on page 235



Art.	For glass	Qty
DQM11	From 6 to 12 mm	1 Pc



GOCCIA 35

GOCCIA 50

GLMFLAT

DCCFLAT

GIUMAX

DQSG SERIES

SQUARE SERIES

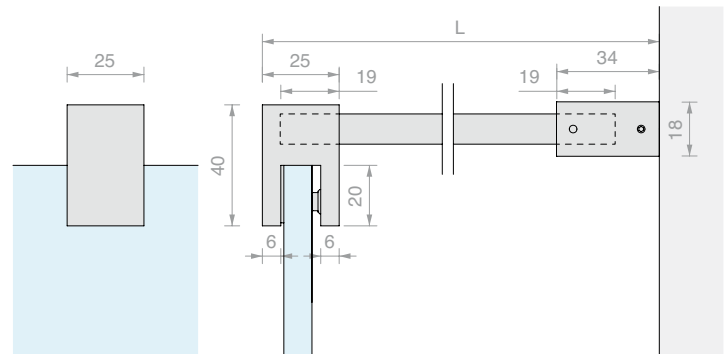


WALL/GLASS FIXED STABILIZER BAR WITH SHORT CLAMP

Material: Brass

Finish: /1 /2 /4 /24 /73* /R2

* Not available for Art. DQT1500



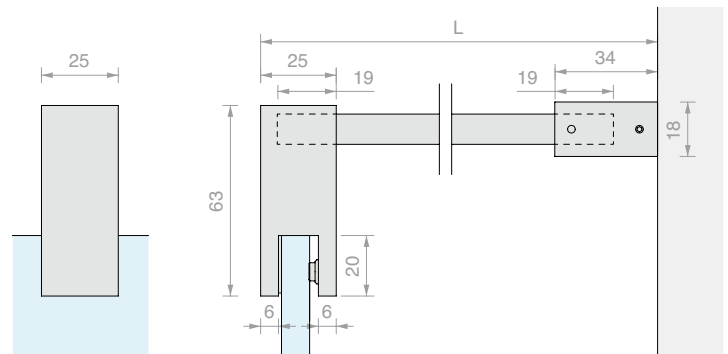
Art.	L	For glass	Qty
DQT500	520 mm	From 8 to 12 mm	1 Pc
DQT1000	1020 mm	From 8 to 12 mm	1 Pc
DQT1500	1520 mm	From 8 to 12 mm	1 Pc



WALL/GLASS FIXED STABILIZER BAR WITH TALL CLAMP

Material: Brass

Finish: /1 /24



Art.	L	For glass	Qty
DQX500	520 mm	From 8 to 12 mm	1 Pc
DQX1000	1020 mm	From 8 to 12 mm	1 Pc
DQX1500	1520 mm	From 8 to 12 mm	1 Pc

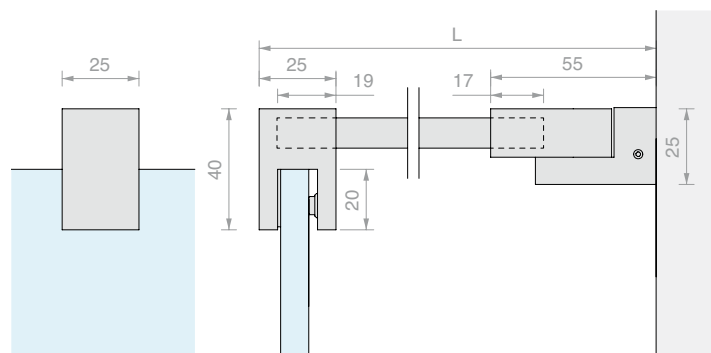


WALL/GLASS STABILIZER BAR WITH WALL JOINT AND SHORT CLAMP

Material: Brass

Finish: /1 /2 /4 /24 /73* /R2

* Not available for Art. DQA1500



Art.	L	For glass	Qty
DQA500	541 mm	From 8 to 12 mm	1 Pc
DQA1000	1041 mm	From 8 to 12 mm	1 Pc
DQA1500	1541 mm	From 8 to 12 mm	1 Pc

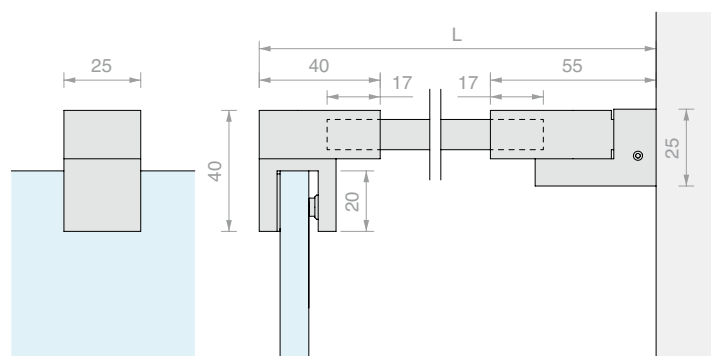
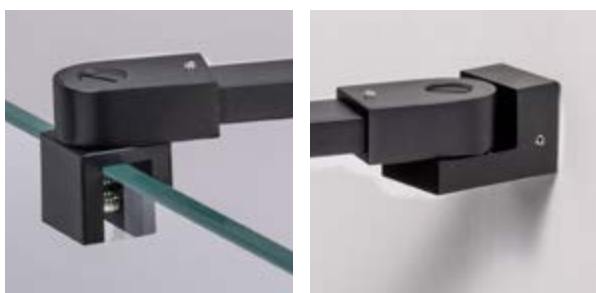


WALL/GLASS STABILIZER BAR WITH DOUBLE JOINT

Material: Brass

Finish: /1 /2 /4 /24 /73* /R2

* Not available for Art. DQA75



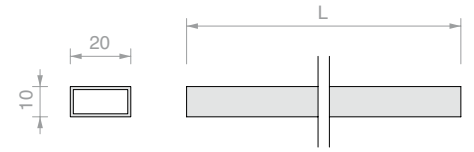
Art.	L	For glass	Qty
DQA55	557 mm	From 8 to 12 mm	1 Pc
DQA65	1057 mm	From 8 to 12 mm	1 Pc
DQA75	1557 mm	From 8 to 12 mm	1 Pc

**RECTANGULAR BAR**

Material: Brass

Finish: /1 /2 /4 /24 /73* /R2

* Not available for Art. DQA08

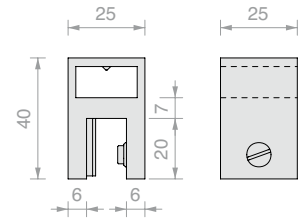


Art.	Length	Qty
DQA05	500 mm	1 Pc
DQA06	1000 mm	1 Pc
DQA08	1500 mm	1 Pc

**GLASS IN-LINE THROUGH FIXING**

Material: Brass

Finish: /1 /24

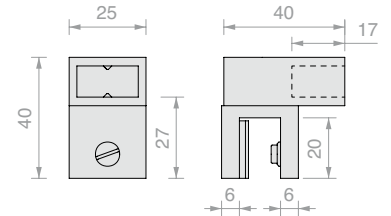


Art.	For glass	Qty
DQA83	From 8 to 12 mm	1 Pc

**ARTICULATED GLASS FIXING**

Material: Brass

Finish: /1 /2 /4 /24 /73 /R2

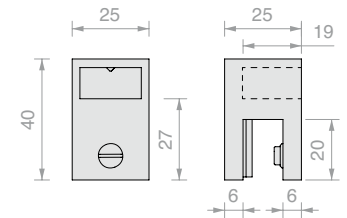


Art.	For glass	Qty
DQA85	From 8 to 12 mm	1 Pc

**SHORT CLOSED GLASS FIXING**

Material: Brass

Finish: /1 /2 /4 /24 /73 /R2

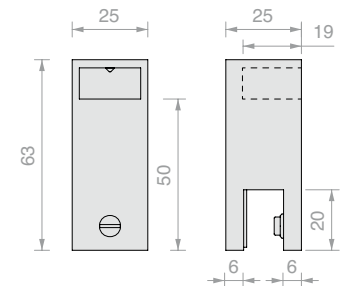


Art.	For glass	Qty
DQA86	From 8 to 12 mm	1 Pc

**TALL CLOSED GLASS FIXING**

Material: Brass

Finish: /1 /24

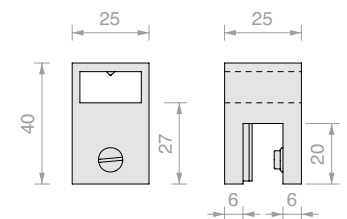


Art.	For glass	Qty
DQA8670	From 8 to 12 mm	1 Pc

**90° GLASS THROUGH FIXING**

Material: Brass

Finish: /1 /24



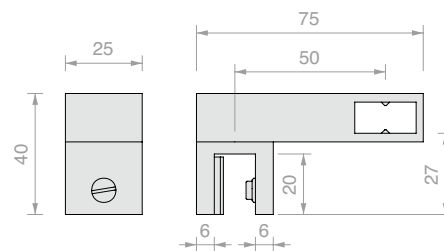
Art.	For glass	Qty
DQA87	From 8 to 12 mm	1 Pc



ARTICULATED DISTANCED GLASS FIXING

Material: Brass

Finish: /1 /2 /4 /24 /73 /R2



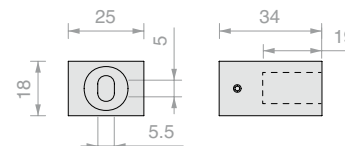
Art.	For glass	Qty
DQA90	From 8 to 12 mm	1 Pc



WALL FIXING

Material: Brass

Finish: /1 /2 /4 /24 /73 /R2



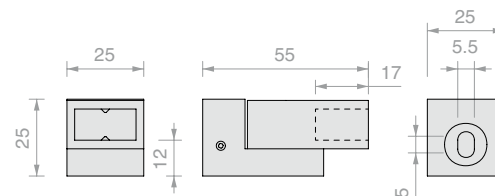
Art.	Qty
DQA93	1 Pc



ARTICULATED WALL FIXING

Material: Brass

Finish: /1 /2 /4 /24 /73 /R2



Art.	Qty
DQA88	1 Pc

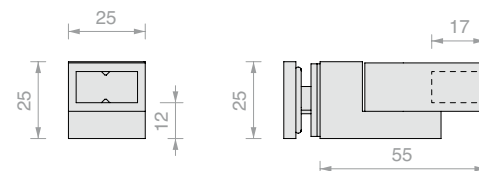


ARTICULATED GLASS FIXING

Material: Brass

Recommended hole size Ø14 mm

Finish: /1 /24



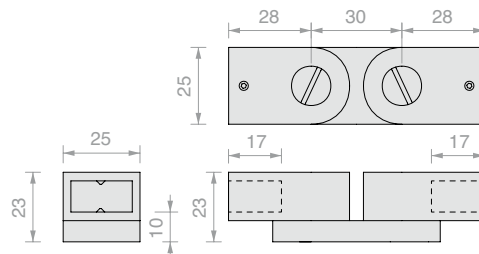
Art.	For glass	Qty
DQA89	From 8 to 12 mm	1 Pc



ARTICULATED JUNCTION

Material: Brass

Finish: /1 /24



Art.	Qty
DQA99	1 Pc

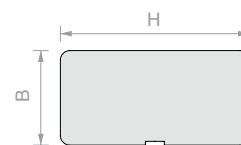


SPARE PLATE WITH TWO-SIDED ADHESIVE

Material: Brass

Finish: /1 /2 /4 /24 /73* /R2

* Not available for Art. DQMP6 - DQMP7 - DQMP8



Art.	H	B	Qty
DQMP2	29.6 mm	29.6 mm	1 Pc
DQMP4	29.6 mm	9.6 mm	1 Pc
DQMP6	69.6 mm	29.6 mm	1 Pc
DQMP7	69.6 mm	17.6 mm	1 Pc
DQMP8	79.6 mm	25.1 mm	1 Pc

Material: AISI 304 steel

Finish: /2 /8 /15 /R2

Art.	H	B	Qty
DQMP9	65.6 mm	6.6 mm	1 Pc

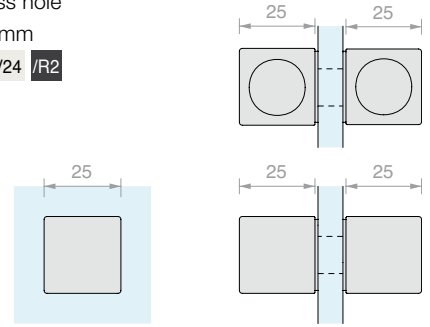


GOCCIA 35



PAIR OF SQUARE KNOBS WITH GRIP

Material: Brass
Recommended glass hole minimum size Ø12 mm
Finish: /1 /2 /4 /24 /R2



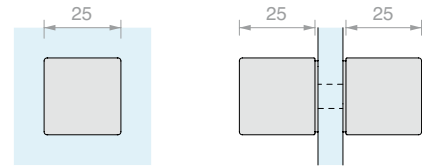
Art.	For glass	Qty
DQTS2525	From 8 to 12 mm	1 Pc

GOCCIA 50



PAIR OF SQUARE KNOBS

Material: Brass
Recommended glass hole minimum size Ø8 mm
Finish: /1 /2 /3 /4 /73 /R2



Art.	For glass	Qty
DQP2525	From 8 to 15 mm	1 Pc

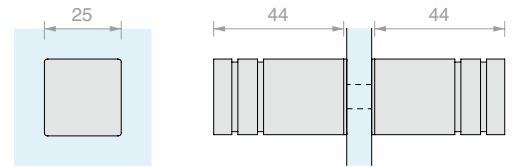
GLMFLAT

DCCFLAT



PAIR OF LONG KNOBS

Material: Brass
Recommended glass hole minimum size Ø8 mm
Finish: /1 /2 /3 /4 /R2



Art.	For glass	Qty
POM2525	From 8 to 15 mm	1 Pc

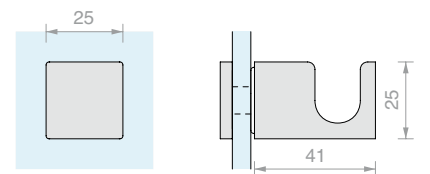
GIUMAX

DQSG SERIES



HOOK FOR GLASS PANES

Material: Brass
Recommended glass hole minimum size Ø14 mm
Finish: /1 /24



Art.	For glass	Qty
DQP385	From 8 to 12 mm	1 Pc

SQUARE SERIES

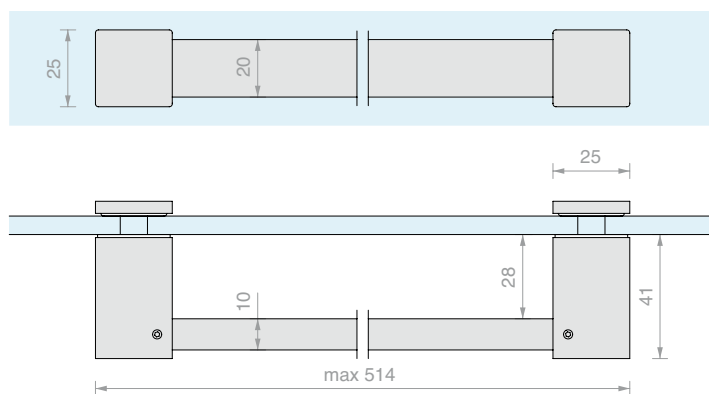


TOWEL RACK

Material: Brass

Recommended hole size Ø14 mm

Finish: /1 /2 /4 /24 /R2



Art.	For glass	Qty
DQP365	From 8 to 12 mm	1 Pc

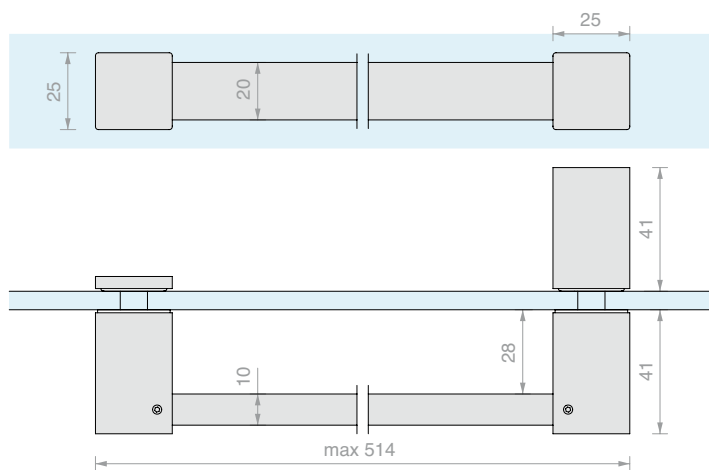


TOWEL RACK WITH KNOB

Material: Brass

Recommended hole size Ø14 mm

Finish: /1 /2 /4 /24 /R2

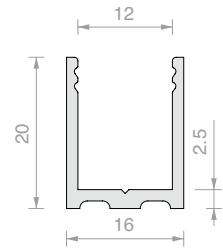


Art.	For glass	Qty
DQP375	From 8 to 12 mm	1 Pc

**LMU20B U-SHAPED PROFILE**

Material: Brass

Finish: /1 /2 /4 /24 /R2

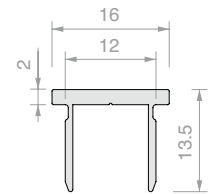


Art.	Length	Qty
LMU20B.150	1498 mm	1 Pc
LMU20B.220	2200 mm	1 Pc
LMU20B.300	3000 mm	1 Pc

**LMU86B FLAT UPPER PROFILE**

Material: Brass

Finish: /1 /2 /4 /24 /R2

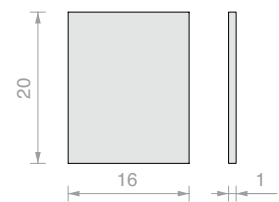


Art.	Length	Qty
LMU86B.100	992 mm	1 Pc
LMU86B.150	1498 mm	1 Pc
LMU86B.300	3000 mm	1 Pc

**FLAT CAP LMUB**

Material: Brass

Finish: /1 /2 /4 /24 /R2

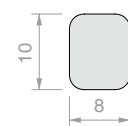


Art.	Qty
LMU20TPB	1 Pc

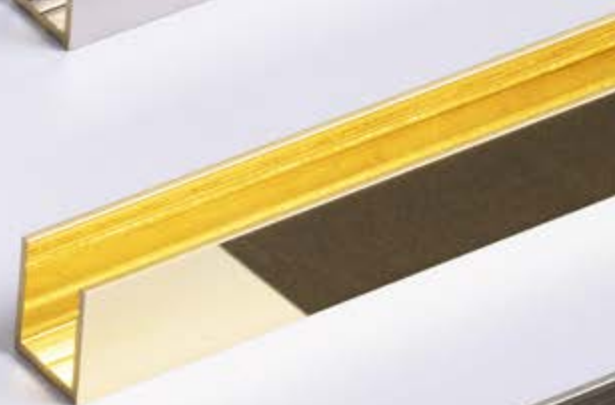
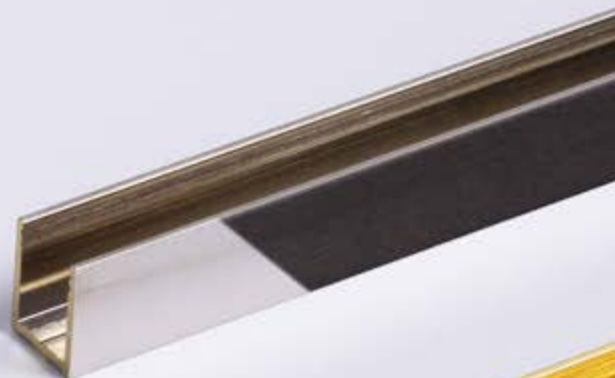
**WATER BARRIER PROFILE, PESQ0810B**

Material: Brass

Finish: /1 /2 /4 /24 /R2



Art.	Length	Qty
PESQ0810B.100	992 mm	1 Pc
PESQ0810B.150	1498 mm	1 Pc
PESQ0810B.300	3000 mm	1 Pc



GOCCIA 35

GOCCIA 50

GLMFLAT

DCFLAT

GUMAX

DQSG SERIES

SQUARE SERIES



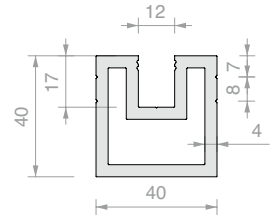
GOCCIA 35
GOCCIA 50
GLMFLAT
DCCFLAT
GIUMAX
DQSG SERIES
SQUARE SERIES



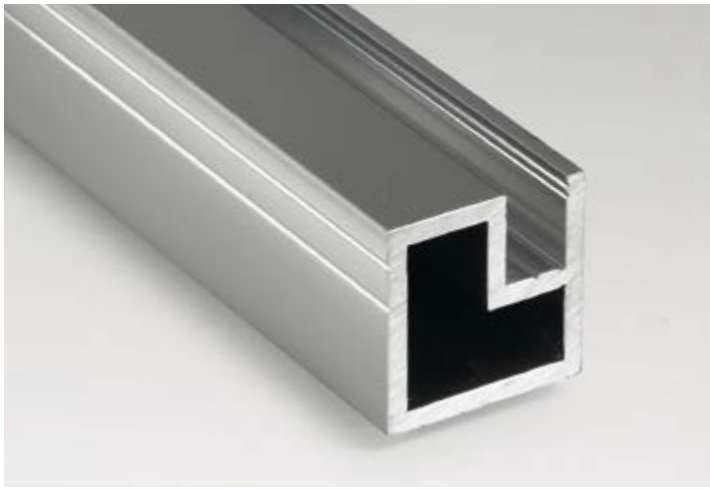
CENTRAL COLUMN NOVI

Material: Aluminium

Finish: /6 /91



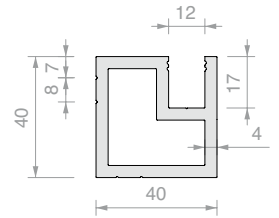
Art.	Length	Qty
NV3100	3000 mm	1 Pc



SIDE COLUMN NOVI

Material: Aluminium

Finish: /6 /91



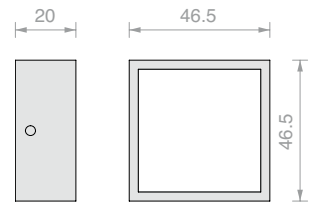
Art.	Length	Qty
NV3300	3000 mm	1 Pc



UPPER COVER FOR NOVI COLUMN

Material: Aluminium

Finish: /6 /91



Art.	Qty
NV3500	1 Pc

LEFT FIXING KIT

Material: AISI 304 steel



Art.	Qty
NV3400SX	1 Pc

CENTRAL FIXING KIT

Material: AISI 304 steel



Art.	Qty
NV3200	1 Pc

RIGHT FIXING KIT

Material: AISI 304 steel



Art.	Qty
NV3400DX	1 Pc

3 SELF-DRILLING SCREWS

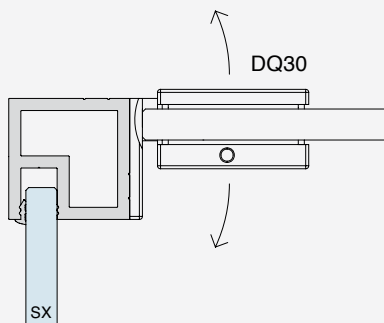
Material: AISI 304 steel



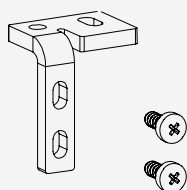
Art.	Qty
NV3600	1 Pc



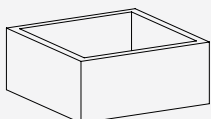
FIXING ORIENTATION



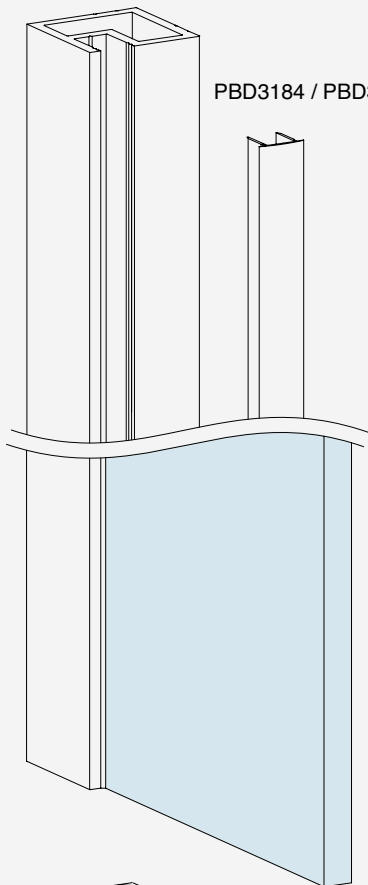
NV3400SX



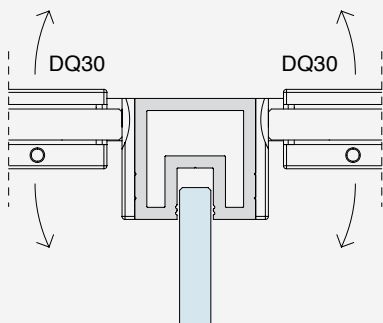
NV3500



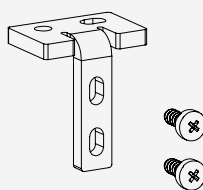
NV3300



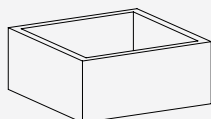
PBD3184 / PBD3186



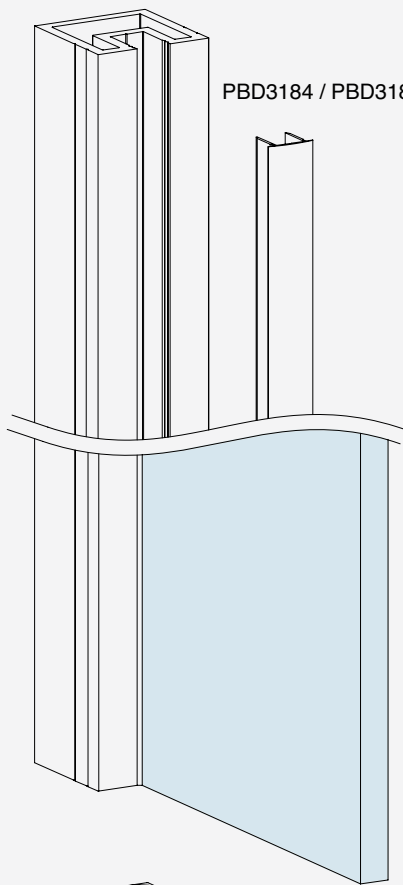
NV3200



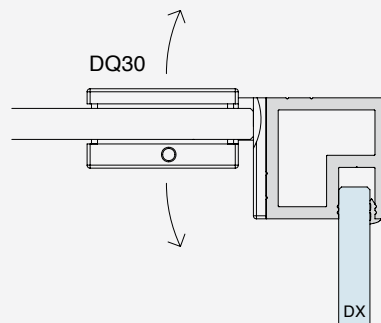
NV3500



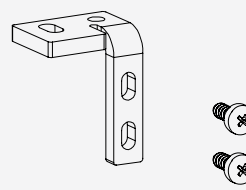
NV3100



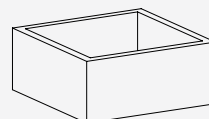
PBD3184 / PBD3186



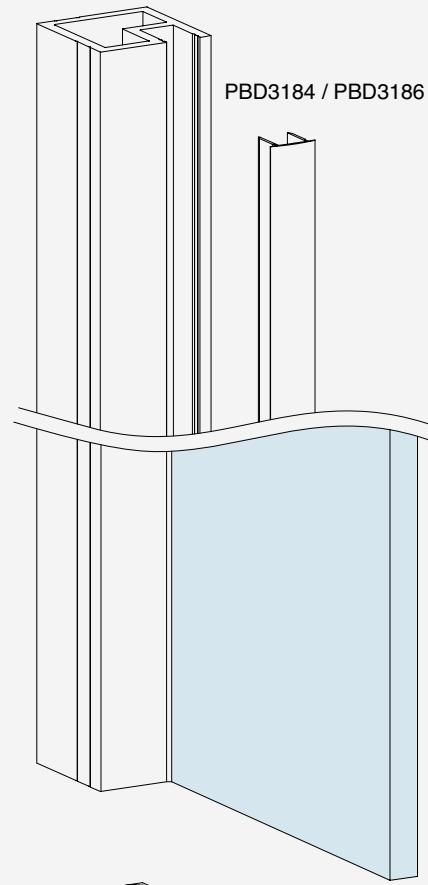
NV3400DX



NV3500



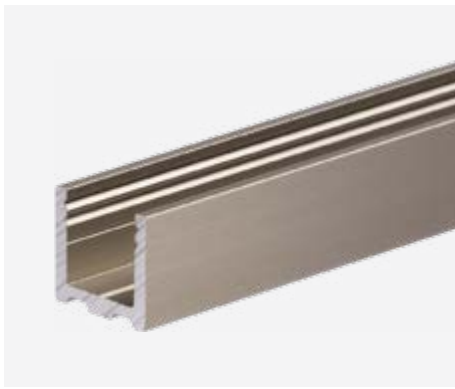
NV3300



PBD3184 / PBD3186



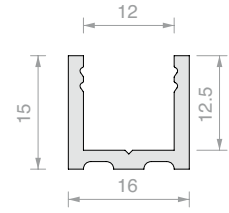
GOCCIA 35



PBD3183 U-SHAPED PROFILE

Material: Aluminium

Finish: /6 /88 /91 /97



Art.	Length	Qty
PBD3183.150	1498 mm	1 Pc
PBD3183.220	2200 mm	1 Pc
PBD3183	3000 mm	1 Pc

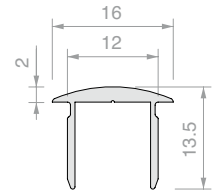
GOCCIA 50



ROUNDED UPPER PROFILE PBD3184

Material: Aluminium

Finish: /6 /88 /91 /97



Art.	Length	Qty
PBD3184.100	992 mm	1 Pc
PBD3184.150	1498 mm	1 Pc
PBD3184	3000 mm	1 Pc

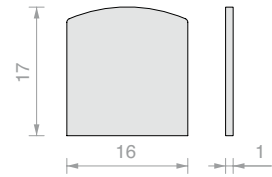
GLMFLAT



ROUNDED CAP PBD

Material: Aluminium

Finish: /6 /88 /91 /97



Art.	Qty
PBDTP	1 Pc

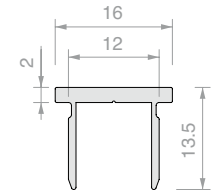
DCCFLAT



FLAT UPPER PROFILE PBD3186

Material: Aluminium

Finish: /6 /88 /91 /97



Art.	Length	Qty
PBD3186.100	992 mm	1 Pc
PBD3186.150	1498 mm	1 Pc
PBD3186	3000 mm	1 Pc

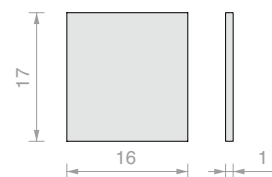
GIUMAX



PBD FLAT CAP

Material: Aluminium

Finish: /6 /88 /91 /97



Art.	Qty
PBD86TP	1 Pc

DQSG SERIES

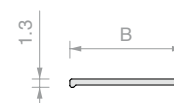
SQUARE SERIES



FLAT PROFILE FORME SERIES

Material: Aluminium

Finish: /6 /88 /97 /RAL

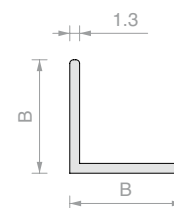


Art.	B	Length	Qty
FOP10.30	10 mm	3000 mm	1 Pc
FOP15.30	15 mm	3000 mm	1 Pc
FOP20.30	20 mm	3000 mm	1 Pc

L-SHAPED PROFILE FORME SERIES

Material: Aluminium

Finish: /6 /88 /97 /RAL

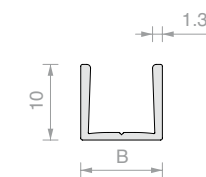


Art.	B	Length	Qty
FOL1010.30	10 mm	3000 mm	1 Pc
FOL1515.30	15 mm	3000 mm	1 Pc
FOL2020.30	20 mm	3000 mm	1 Pc

U-SHAPED PROFILE FORME SERIES

Material: Aluminium

Finish: /6 /88 /97 /RAL



Art.	B	Length	For glass	Qty
FOU1009.30	8.8 mm	3000 mm	6 mm	1 Pc
FOU1011.30	10.8 mm	3000 mm	8 mm	1 Pc
FOU1013.30	12.8 mm	3000 mm	10 mm	1 Pc



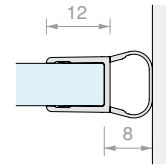
TESA® ACX^{plus} DOUBLE-SIDED TAPE

Transparent double-sided tape for structural fixing of glass, steel and aluminium. The paper liner makes manual application of the tape easier. Solid, high performance backing with excellent viscoelastic properties and high bonding power, dissipation of static and dynamic stresses, plus high resistance to temperatures, humidity, UV rays, and chemical agents. Maximum operating temperature 100°C; peak temperature 200°C (max. 20 minutes). Recommended for glass/glass and glass/metal bonding; ideal for compensating different thermal expansions without losing strength. To achieve the best performance, it is recommended to prepare the application surfaces using the specific adhesion promoter, Art. TS100

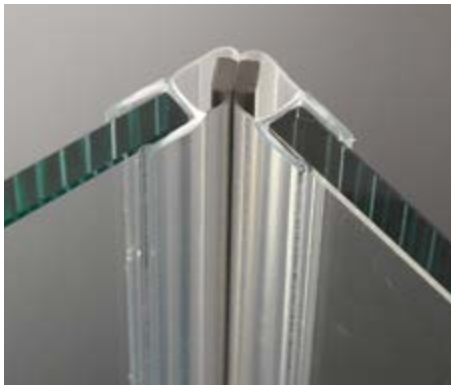
Art.	Dimensions	Thickness	Qty
TS250065	6 mm x 25 m	0.5 mm	1 Pc
TS25006	6 mm x 25 m	1 mm	1 Pc
TS25009	9 mm x 25 m	1 mm	1 Pc
TS250125	12 mm x 25 m	0.5 mm	1 Pc
TS25012	12 mm x 25 m	1 mm	1 Pc
TS250155	15 mm x 25 m	0.5 mm	1 Pc
TS25019	19 mm x 25 m	1 mm	1 Pc

**BALLOON GASKET**

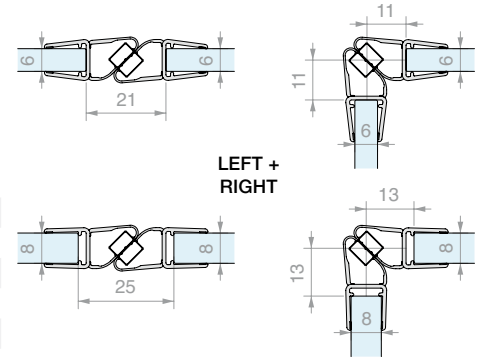
Material: Co-extruded rigid and soft PVC
Resistant to UV rays
Fungicide to prevent mould from forming
Maximum operating temperature 70°C
Colour: transparent, transparent balloon



Art.	Length	For glass	Qty
GM62	2200 mm	From 6 to 8 mm	1 Pc
GM6225	2500 mm	From 6 to 8 mm	1 Pc
GM6230	3000 mm	From 6 to 8 mm	1 Pc

**MAGNETIC 45° GASKET**

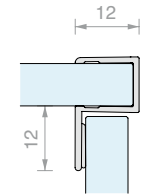
Material: Co-extruded rigid and soft PVC
Maximum operating temperature 70°C
Colour: transparent, embossed balloon, grey magnet



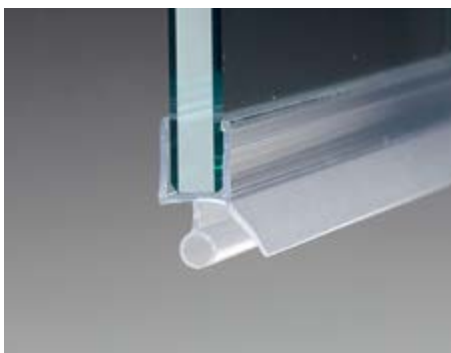
Art.	Length	For glass	Qty
GM12DX20	2000 mm	From 6 to 8 mm	1 Pc
GM12DX22	2200 mm	From 6 to 8 mm	1 Pc
GM12DX25	2500 mm	From 6 to 8 mm	1 Pc
GM12SX20	2000 mm	From 6 to 8 mm	1 Pc
GM12SX22	2200 mm	From 6 to 8 mm	1 Pc
GM12SX25	2500 mm	From 6 to 8 mm	1 Pc

**90° STRIKE JAMB GASKET**

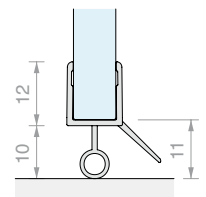
Material: Co-extruded rigid and soft PVC
Resistant to UV rays
Fungicide to prevent mould from forming
Maximum operating temperature 70°C
Colour: transparent/*black, embossed lip



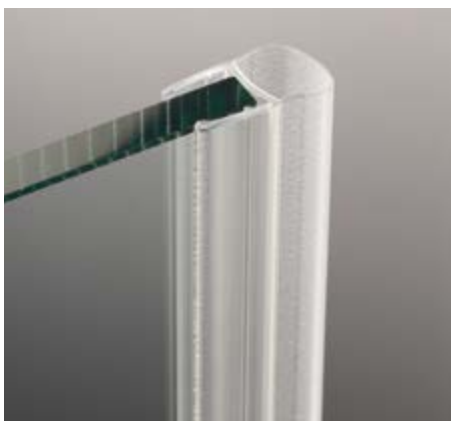
Art.	Length	For glass	Qty
GM58	2200 mm	From 6 to 8 mm	1 Pc
GM58NR*	2200 mm	From 6 to 8 mm	1 Pc
GM5830	3000 mm	From 6 to 8 mm	1 Pc

**GASKET WITH BALLOON WATER BARRIER AND DRIP FLAP**

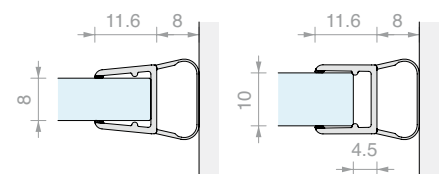
Material: Co-extruded rigid and soft PVC
Resistant to UV rays
Fungicide to prevent mould from forming
Maximum operating temperature 70°C
Colour: transparent, embossed lip and balloon



Art.	Length	For glass	Qty
GM6010	1000 mm	From 6 to 8 mm	1 Pc
GM6020	2000 mm	From 6 to 8 mm	1 Pc
GM6025	2500 mm	From 6 to 8 mm	1 Pc
GM6030	3000 mm	From 6 to 8 mm	1 Pc

**BALLOON GASKET**

Material: Co-extruded rigid and soft PVC
Resistant to UV rays
Fungicide to prevent mould from forming
Colour: transparent/*black, embossed balloon



Art.	Length	For glass	Qty
GM06	2000 mm	From 8 to 10 mm	1 Pc
GM0622	2200 mm	From 8 to 10 mm	1 Pc
GM0622NR*	2200 mm	From 8 to 10 mm	1 Pc
GM0625	2500 mm	From 8 to 10 mm	1 Pc
GM0625NR*	2500 mm	From 8 to 10 mm	1 Pc
GM063000	3000 mm	From 8 to 10 mm	1 Pc
GM063000NR*	3000 mm	From 8 to 10 mm	1 Pc

**MAGNETIC 45° GASKET**

Material: Co-extruded rigid and soft PVC

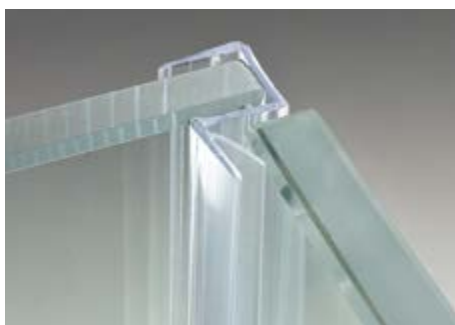
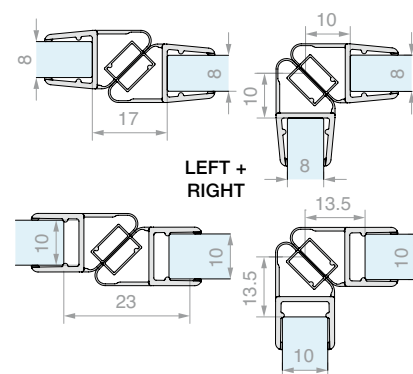
Resistant to UV rays

Fungicide to prevent mould from forming

Maximum operating temperature 70°C

Colour: transparent/*black, transparent balloon, white/*black magnet

Art.	Length	For glass	Qty
GM1520SX	2200 mm	From 8 to 10 mm	1 Pc
GM1520SXNR*	2200 mm	From 8 to 10 mm	1 Pc
GM1520DX	2200 mm	From 8 to 10 mm	1 Pc
GM1520DXNR*	2200 mm	From 8 to 10 mm	1 Pc
GM15SX	2500 mm	From 8 to 10 mm	1 Pc
GM15DX	2500 mm	From 8 to 10 mm	1 Pc
GM1530SX	3000 mm	From 8 to 10 mm	1 Pc
GM1530DX	3000 mm	From 8 to 10 mm	1 Pc

**90° STRIKE JAMB GASKET**

Material: Co-extruded rigid and soft PVC

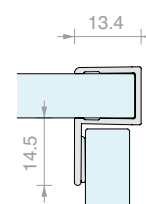
Resistant to UV rays

Fungicide to prevent mould from forming

Maximum operating temperature 70°C

Colour: transparent, embossed lip

Art.	Length	For glass	Qty
GM5422	2200 mm	From 8 to 10 mm	1 Pc
GM5430	3000 mm	From 8 to 10 mm	1 Pc

**GASKET WITH LIP WATER BARRIER AND DRIP FLAP**

Material: Co-extruded rigid and soft PVC

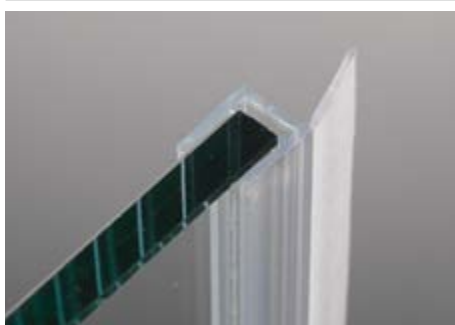
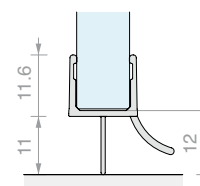
Resistant to UV rays

Fungicide to prevent mould from forming

Maximum operating temperature 70°C

Colour: transparent/*black, embossed lip

Art.	Length	For glass	Qty
GM0210	1000 mm	From 8 to 10 mm	1 Pc
GM02	2000 mm	From 8 to 10 mm	1 Pc
GM02NR*	2000 mm	From 8 to 10 mm	1 Pc
GM022500	2500 mm	From 8 to 10 mm	1 Pc
GM022500NR*	2500 mm	From 8 to 10 mm	1 Pc

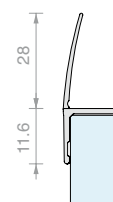
**GASKET WITH STRAIGHT LIP**

Material: Co-extruded rigid and soft PVC

Fungicide to prevent mould from forming

Colour: transparent, embossed lip

Art.	Length	For glass	Qty
GM04	2000 mm	From 8 to 10 mm	1 Pc
GM0422	2200 mm	From 8 to 10 mm	1 Pc
GM0425	2500 mm	From 8 to 10 mm	1 Pc
GM0430	3000 mm	From 8 to 10 mm	1 Pc

**GLASS HOLDER GASKET**

Material: PVC

Art.	Thickness	Colour	Qty	Art.	Thickness	Colour	Qty
GTUP2	2	Transparent	1 m	GTUP5G	5	Embossed	1 m
GTUP3	3	Transparent	1 m	GTUP6G	6	Embossed	1 m
GTUP4	4	Transparent	1 m	GTUP2N	2	Black	1 m
GTUP5	5	Transparent	1 m	GTUP3N	3	Black	1 m
GTUP6	6	Transparent	1 m	GTUP4N	4	Black	1 m
GTUP2G	2	Embossed	1 m	GTUP5N	5	Black	1 m
GTUP3G	3	Embossed	1 m	GTUP6N	6	Black	1 m
GTUP4G	4	Embossed	1 m				

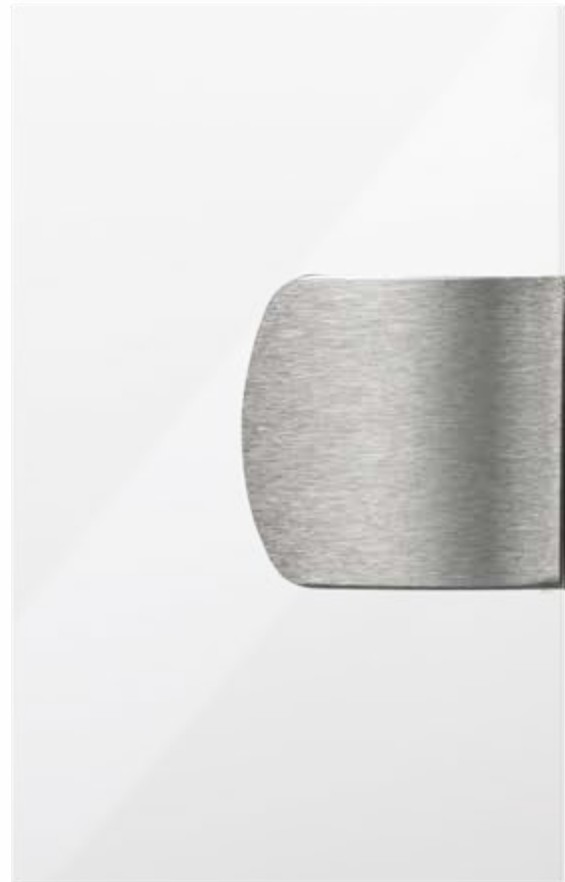
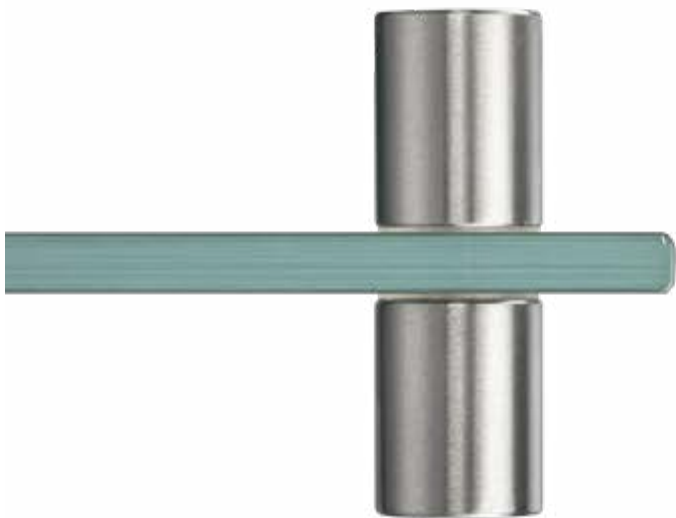
CHD

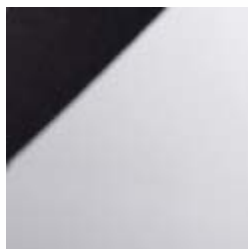
Design

The soft lines and mechanical technology make products in the CHD series perfect for any type of furnishings.

TÜV certification and the available finishes are quickly able to meet the most particular requests.

Suitable for glass thicknesses from 6 to 10 mm, the CHD series offers standard configurations as well as numerous opportunities for customisation due to different combinations of hinges, locks, knobs, clamps, and stabilizer bars.

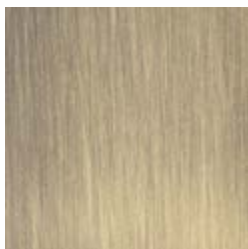




/1
Chrome



/2
Gold



/4
Bronze



/24
Brushed steel effect



/R2
RAL9005 matt black



CHD

CHD Hinges

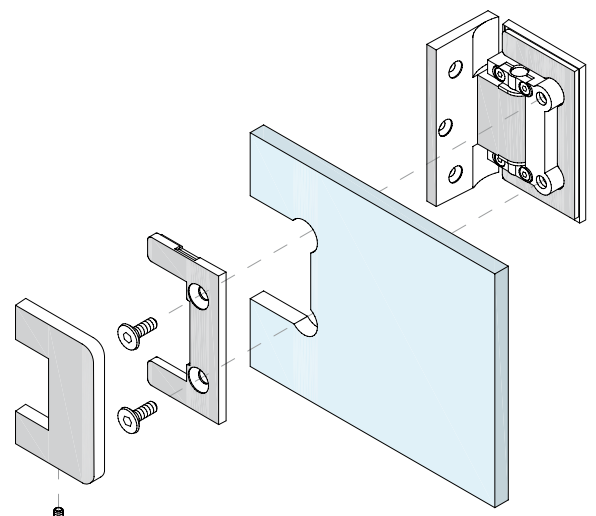
CHD hinges are the functional heart of the CHD series.
The hinge body is made of cast brass, while the components are mechanically processed.

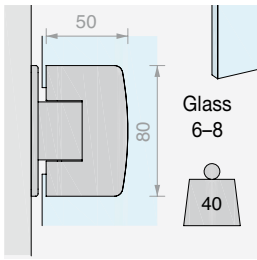
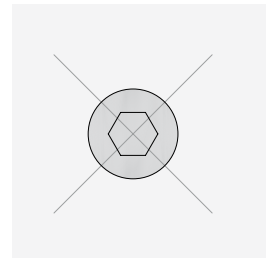
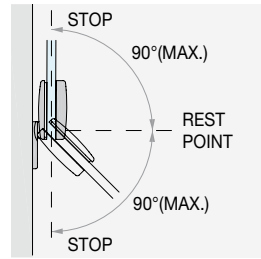
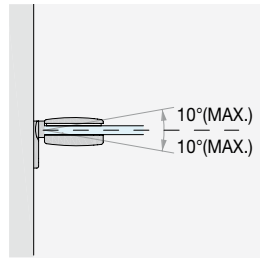
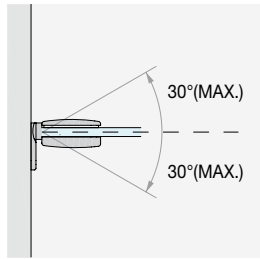
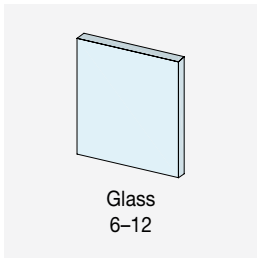


Cap on one side to cover the screws fixing the hinge on the glass.



Adhesive seals to facilitate positioning of the hinge on the glass.



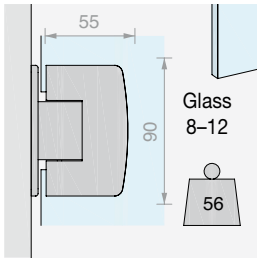


CLOSING RETURN
Automatic return to the zero position in the last 30°.

CORRECTION 10°
Correction of the door angle $\pm 10^\circ$ upon installation.

ANGLE OF ROTATION
Angle of rotation from $+90^\circ$ to -90° .
With rest point at 0° and stops at -90° and $+90^\circ$.

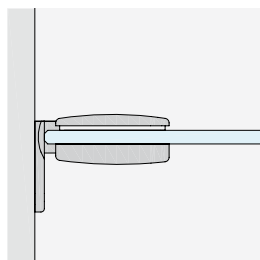
NO VISIBLE SCREWS



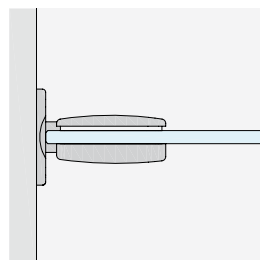
TWO VERSIONS FOR GLASS WITH THICKNESS FROM 6 TO 12 mm

The CHD SERIES can be used for glass with thickness from 6 to 12 mm thanks to hinges and locks in two versions, small and large. Depending on the chosen glass, it is possible to select the related hinge

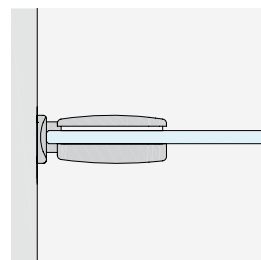
Adhesive finishing screw-cover cap



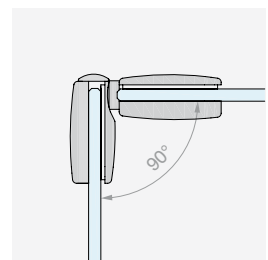
WALL/GLASS
with side plate



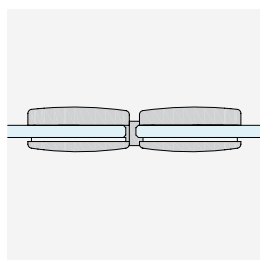
WALL/GLASS
with central plate



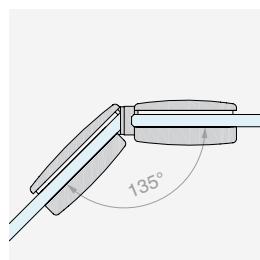
WALL/GLASS
for narrow jambs



GLASS/GLASS
90° corner



GLASS/GLASS
in-line



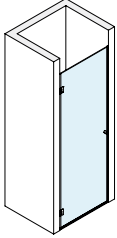
GLASS/GLASS
135°



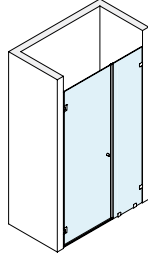
CHD

Kits

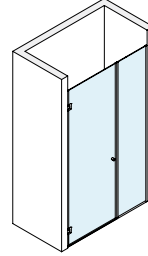
CONFIGURATIONS WITH HINGED DOORS



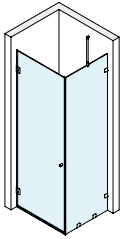
Page 253



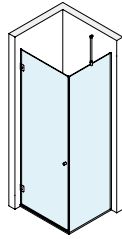
Page 257



Page 261

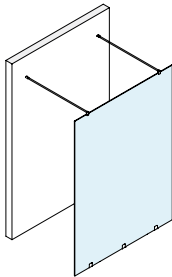


Page 265

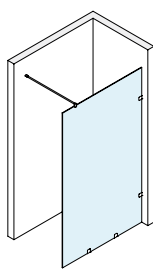


Page 269

WALK-IN CONFIGURATIONS



Page 273

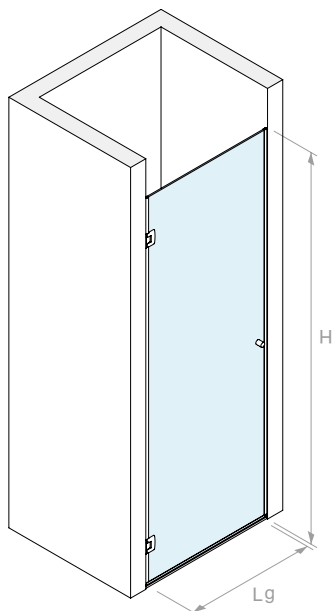


Page 275

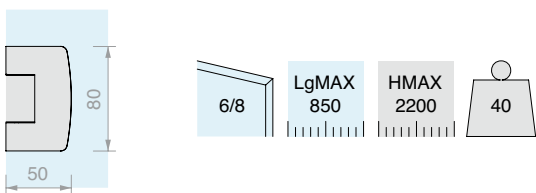


**WALL/WALL HINGED
SHOWER KIT**

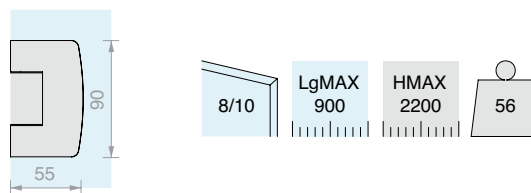
Finish:     



VERSION WITH HINGE **CHD10COV** 50 mm x 80 mm

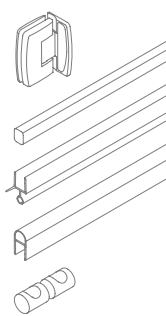


VERSION WITH HINGE **CHD20COV** 55 mm x 90 mm



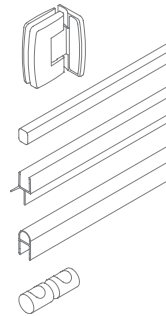
Kit comprising:

Art.	Description	Qty.
CHD10COV	Adjustable side hinge	2 Pcs
PESQ0810B.100	Water barrier profile	1 Pc
GM6010	Gasket with drip flap	1 Pc
GM62	Balloon gasket	2 Pcs
SP2255	Pair of knobs	1 Pc



Kit comprising:

Art.	Description	Qty.
CHD20COV	Adjustable side hinge	2 Pcs
PESQ0810B.100	Water barrier profile	1 Pc
GM0210	Gasket with drip flap	1 Pc
GM0622	Balloon gasket	2 Pcs
SP2255	Pair of knobs	1 Pc



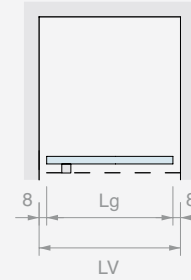
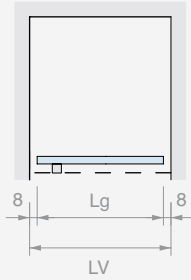
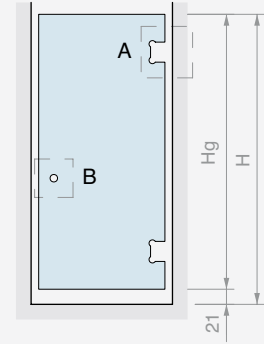
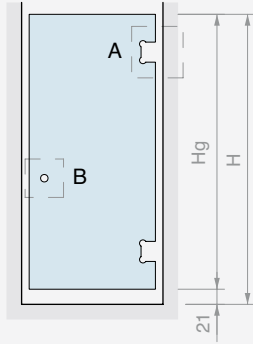
Art.	Qty
BDCHD6801	1 Pc

Art.	Qty
BDCHD81001	1 Pc



GLASS PANE DIMENSIONS

BDCHD6801

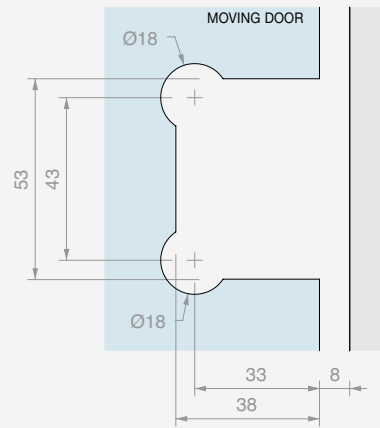
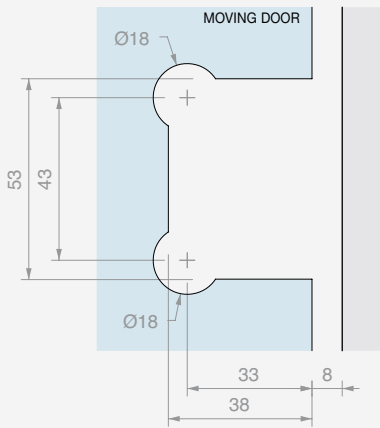


$H_g = H - 21$
 $L_g (\text{MAX } 850) = LV - 16$

$H_g = H - 21$
 $L_g (\text{MAX } 850) = LV - 16$

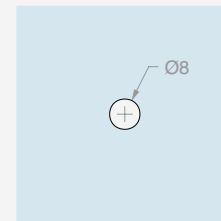
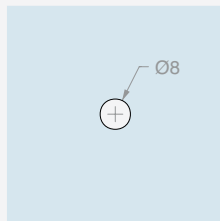
A CHD10COV

A CHD10COV



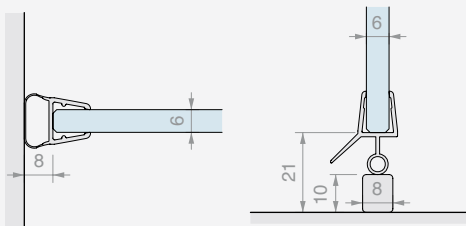
B SP2255

B SP2255



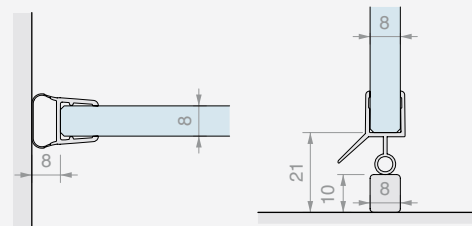
GM62

GM6010



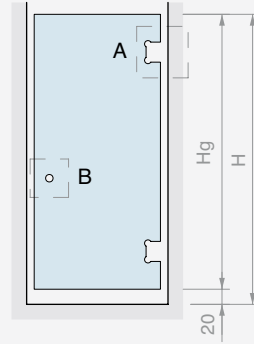
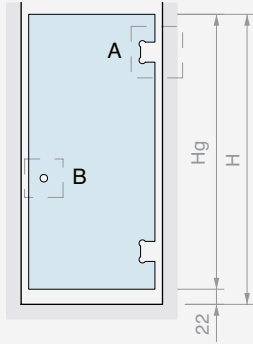
GM62

GM6010

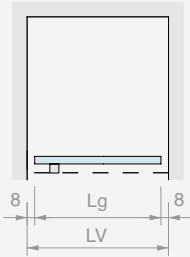


GLASS PANE DIMENSIONS

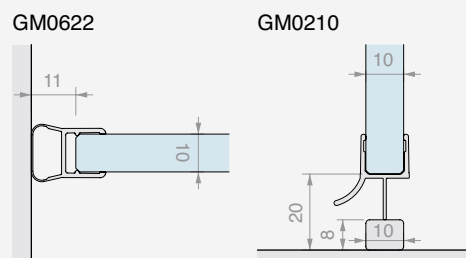
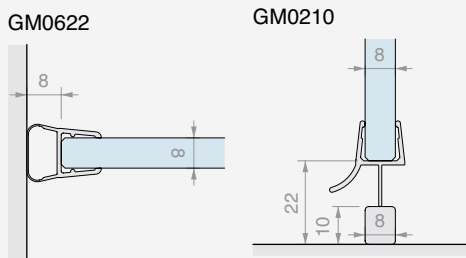
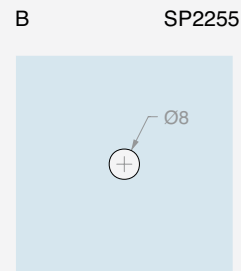
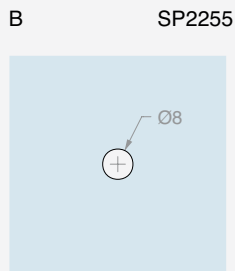
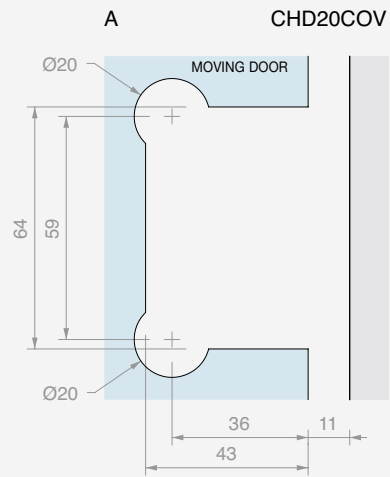
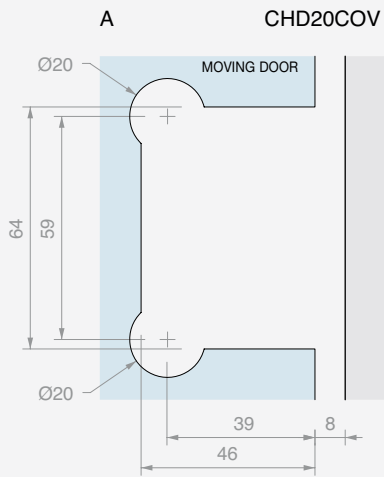
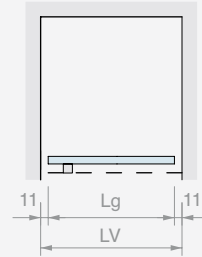
BDCHD81001



$H_g = H - 22$
 $L_g (\text{MAX } 900) = LV - 16$



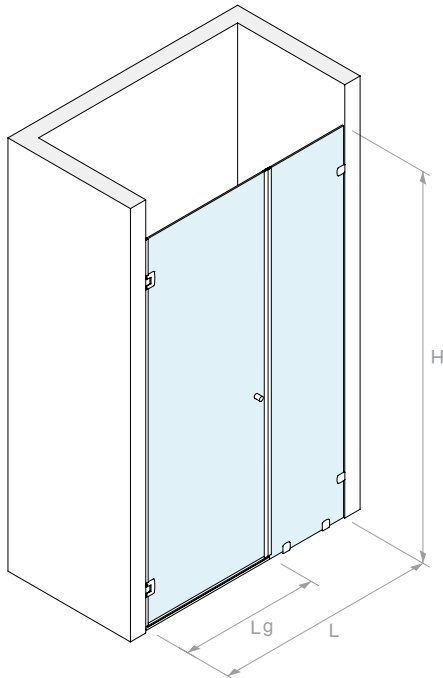
$H_g = H - 20$
 $L_g (\text{MAX } 900) = LV - 23$





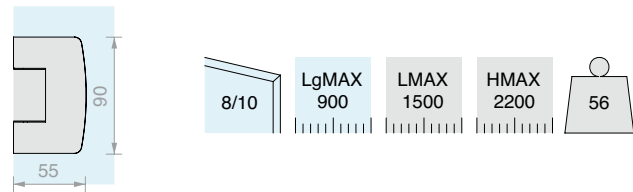
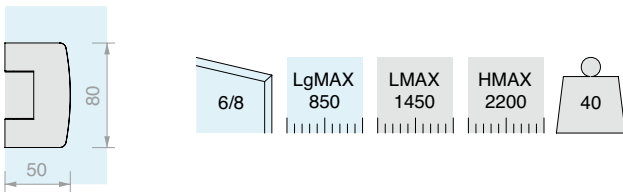
WALL/WALL HINGED SHOWER KIT WITH FIXED PANE AND CLAMPS

Finish: /1 /2 /4 /24 /R2








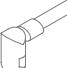



VERSION WITH HINGE **CHD10COV** 50 mm x 80 mm

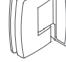






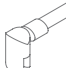

VERSION WITH HINGE **CHD20COV** 55 mm x 90 mm



Kit comprising:

Art.	Description	Qty.	
CHD10COV	Adjustable side hinge	2 Pcs	
PESQ0810B.100	Water barrier profile	1 Pc	
GM6010	Gasket with drip flap	1 Pc	
GM12SX22	Magnetic 45° gasket	1 Pc	
GM12DX22	Magnetic 45° gasket	1 Pc	
GM62	Balloon gasket	1 Pc	
SP2255	Pair of knobs	1 Pc	
CHDM41	Clamp flush to the wall	4 Pcs	
Optional			
CHDA55	Jointed stabilizer bar	1 Pc	

Kit comprising:

Art.	Description	Qty.	
CHD20COV	Adjustable side hinge	2 Pcs	
PESQ0810B.100	Water barrier profile	1 Pc	
GM0210	Gasket with drip flap	1 Pc	
GM1520SX	Magnetic 45° gasket	1 Pc	
GM1520DX	Magnetic 45° gasket	1 Pc	
GM0622	Balloon gasket	1 Pc	
SP2255	Pair of knobs	1 Pc	
CHDM41	Clamp flush to the wall	4 Pcs	
Optional			
CHDA55G	Jointed stabilizer bar	1 Pc	

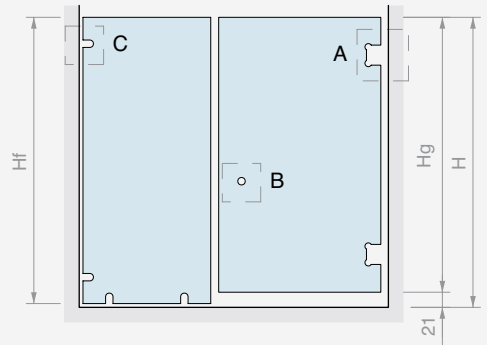
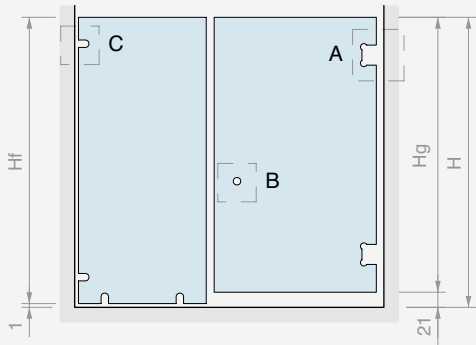
Art.	Qty.
BDCHD6803	1 Pc

Art.	Qty.
BDCHD81003	1 Pc



GLASS PANE DIMENSIONS

BDCHD6803

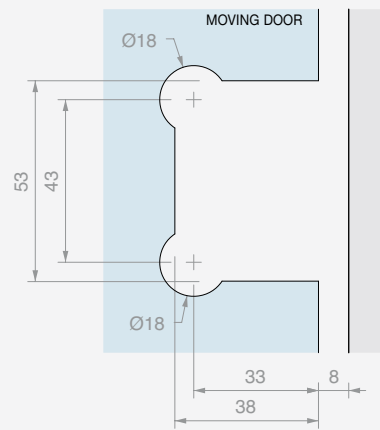
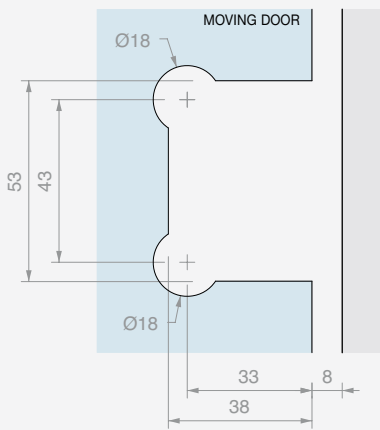


$H_f = H - 1$
 $H_g = H - 21$
 $L_g \text{ MAX } 850$
 $L_f (\text{MAX } 600) =$
 $LV - L_g - 30$

$H_f = H - 1$
 $H_g = H - 21$
 $L_g \text{ MAX } 850$
 $L_f (\text{MAX } 600) =$
 $LV - L_g - 34$

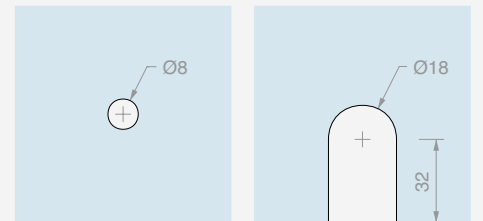
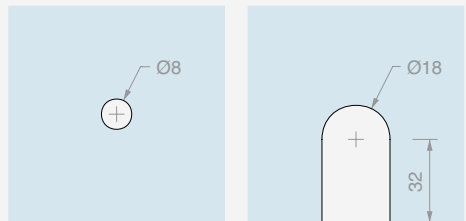
A CHD10COV

A CHD10COV



B SP2255 C CHDM41

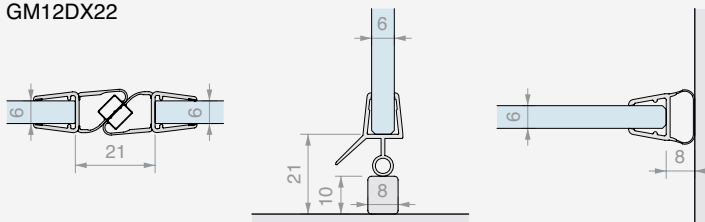
B SP2255 C CHDM41



GM12SX22
GM12DX22

GM6010

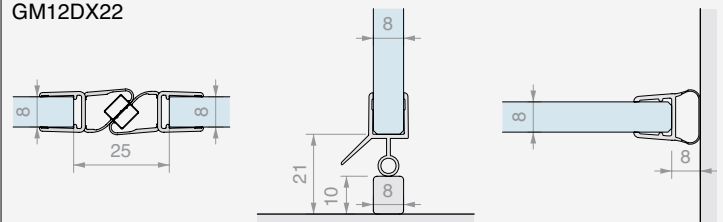
GM62



GM12SX22
GM12DX22

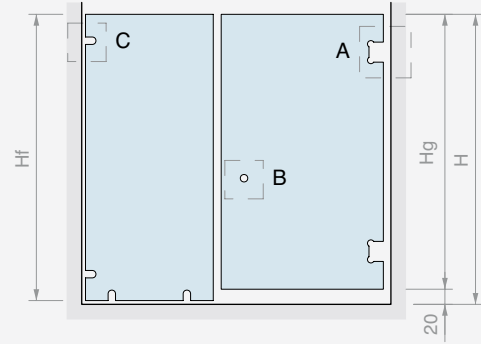
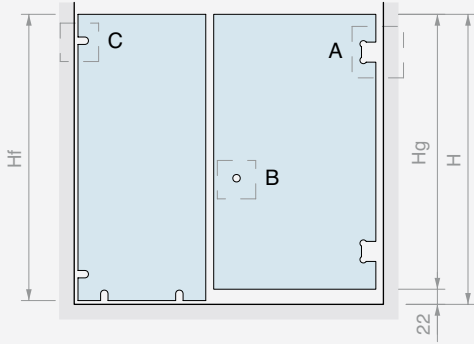
GM6010

GM62



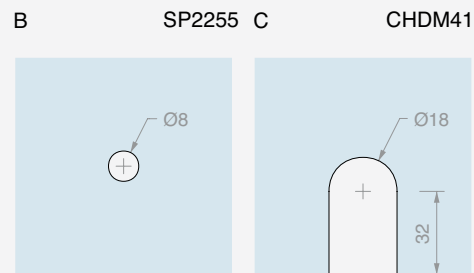
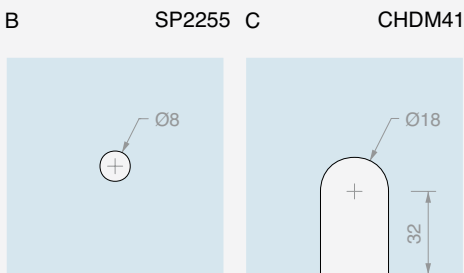
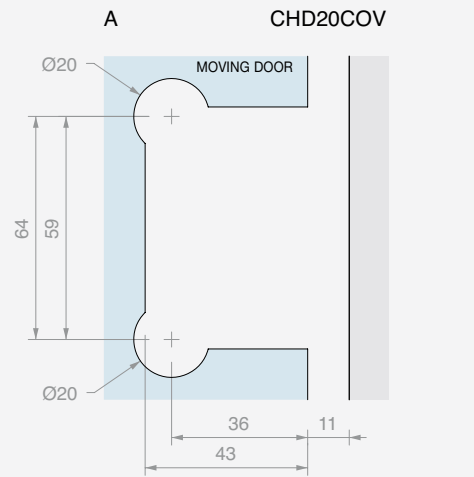
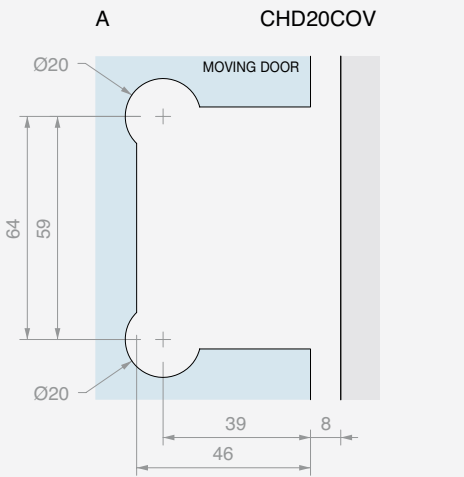
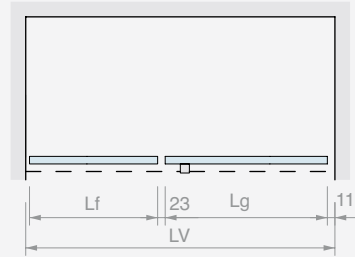
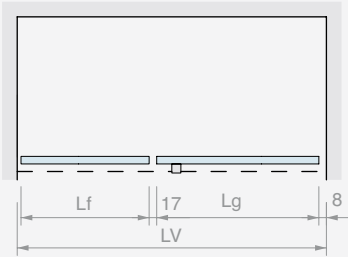
GLASS PANE DIMENSIONS

BDCHD81003



Hf = H - 1
 Hg = H - 22
 Lg MAX 900
 Lf (MAX 800) = LV - Lg - 26

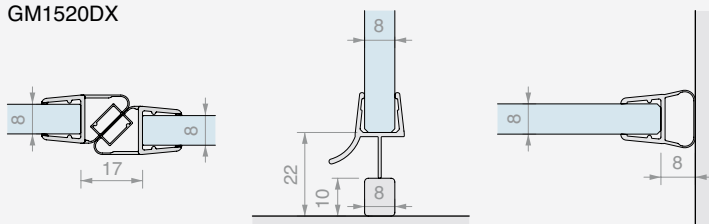
Hf = H - 1
 Hg = H - 20
 Lg MAX 900
 Lf (MAX 800) = LV - Lg - 35



GM1520SX
 GM1520DX

GM0210

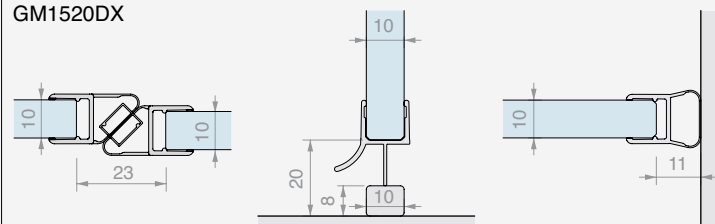
GM0622



GM1520SX
 GM1520DX

GM0210

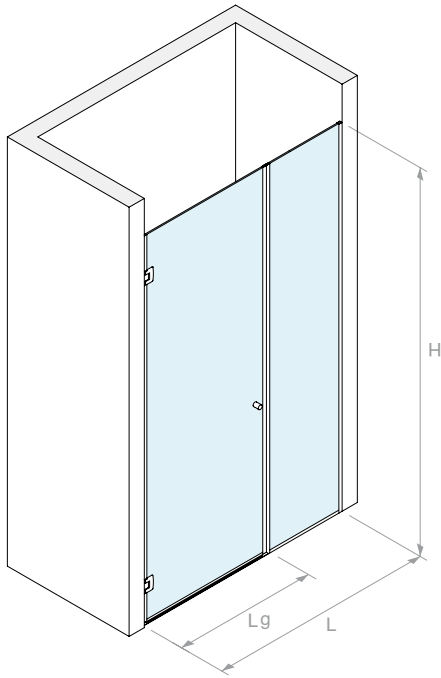
GM0622





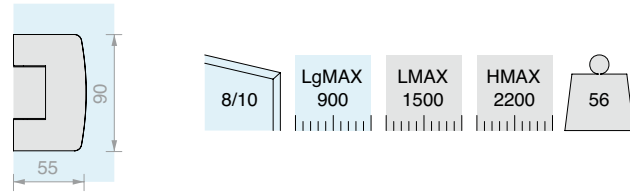
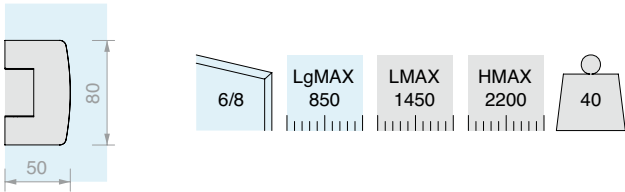
WALL/WALL HINGED SHOWER KIT WITH FIXED PANE AND PROFILES

Finish: 














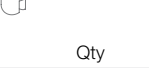
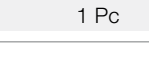
VERSION WITH HINGE **CHD10COV** 50 mm x 80 mm













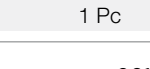
VERSION WITH HINGE **CHD20COV** 55 mm x 90 mm



Kit comprising:

Kit comprising:

Art.	Description	Qty.	
CHD10COV	Adjustable side hinge	2 Pcs	
LMU20B.220	U-shaped profile	1 Pc	
LMU20B.150	U-shaped profile	1 Pc	
LMU86B.100	Flat upper profile	1 Pc	
GTUP4	Glass holder gasket	4 m	
GTUP6	Glass holder gasket	4 m	
GM6010	Gasket with drip flap	1 Pc	
GM12SX22	Magnetic 45° gasket	1 Pc	
GM12DX22	Magnetic 45° gasket	1 Pc	
GM62	Balloon gasket	1 Pc	
SP2255	Pair of knobs	1 Pc	
Optional			
CHDA55	Jointed stabilizer bar	1 Pc	

Art.	Description	Qty.	
CHD20COV	Adjustable side hinge	2 Pcs	
LMU20B.220	U-shaped profile	1 Pc	
LMU20B.150	U-shaped profile	1 Pc	
LMU86B.100	Flat upper profile	1 Pc	
GTUP4	Glass holder gasket	4 m	
GTUP2	Glass holder gasket	4 m	
GM0210	Gasket with drip flap	1 Pc	
GM1520SX	Magnetic 45° gasket	1 Pc	
GM1520DX	Magnetic 45° gasket	1 Pc	
GM0622	Balloon gasket	1 Pc	
SP2255	Pair of knobs	1 Pc	
Optional			
CHDA55G	Jointed stabilizer bar	1 Pc	

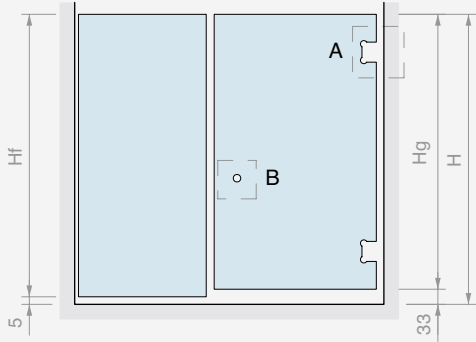
Art. **BDCHD6805** Qty 1 Pc

Art. **BDCHD81005** Qty 1 Pc

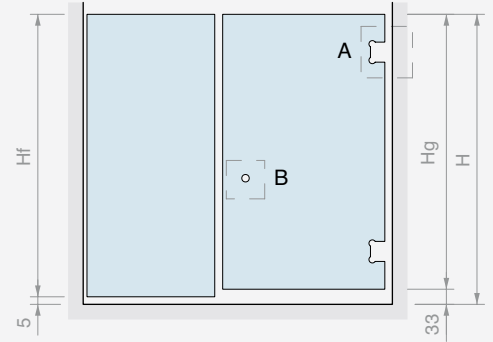
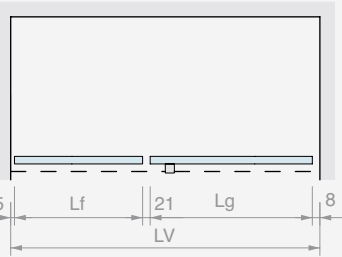


GLASS PANE DIMENSIONS

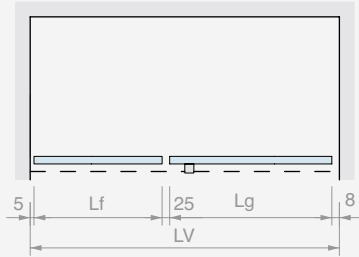
BDCHD6805



Hf = H - 5
 Hg = H - 33
 Lg MAX 850
 Lf (MAX 600) = 5
 LV - Lg - 34

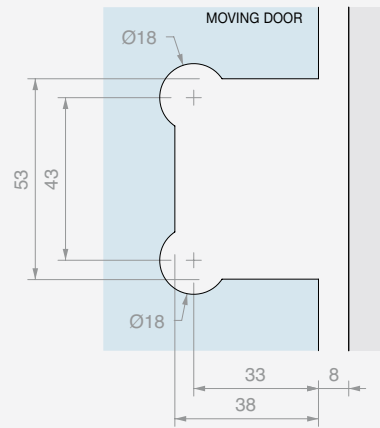
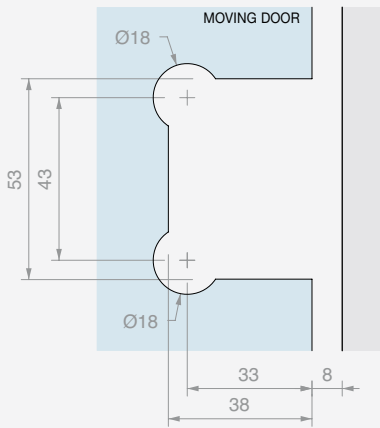


Hf = H - 5
 Hg = H - 33
 Lg MAX 850
 Lf (MAX 600) = 5
 LV - Lg - 38



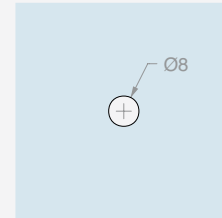
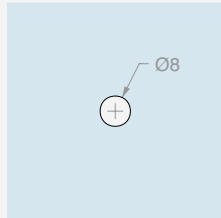
A CHD10COV

A CHD10COV



B SP2255

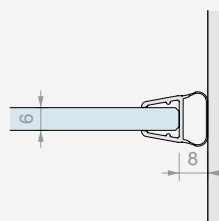
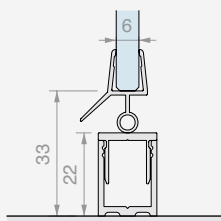
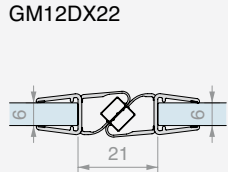
B SP2255



GM12SX22
 GM12DX22

GM6010

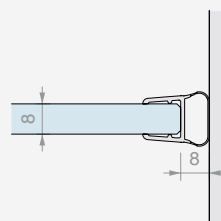
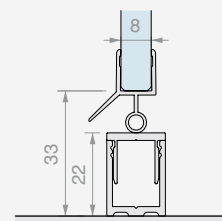
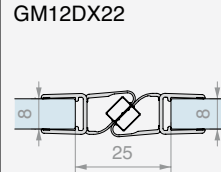
GM62



GM12SX22
 GM12DX22

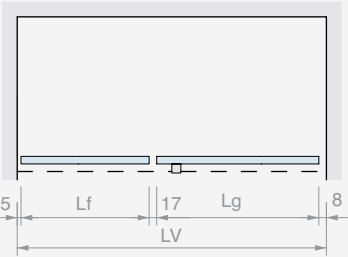
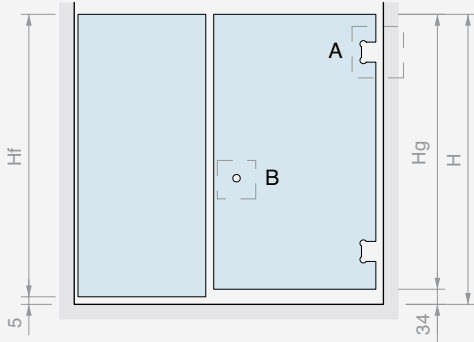
GM6010

GM62



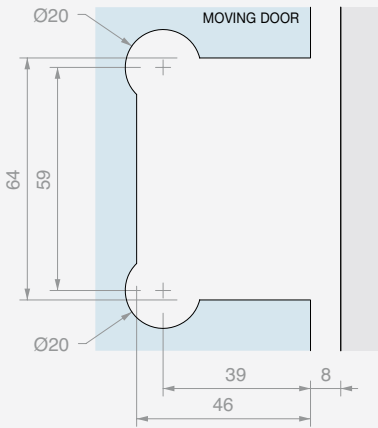
GLASS PANE DIMENSIONS

BDCHD81005

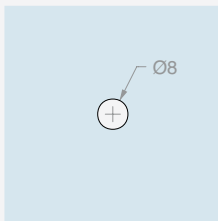


$H_f = H - 5$
 $H_g = H - 34$
 $L_g \text{ MAX } 900$
 $L_f \text{ (MAX } 600) =$
 $LV - L_g - 30$

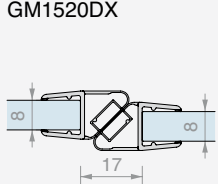
A CHD20COV



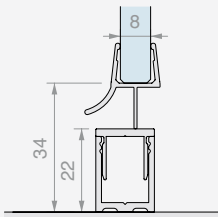
B SP2255



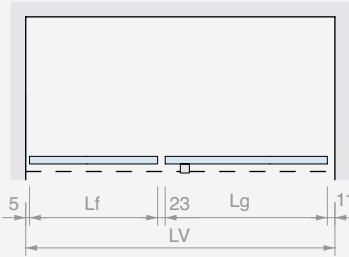
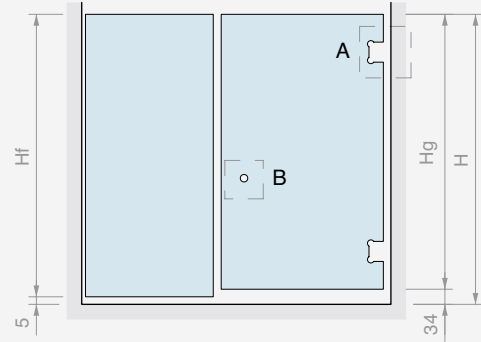
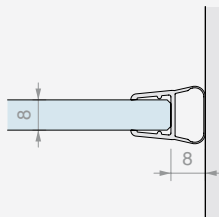
GM1520SX
GM1520DX



GM0210

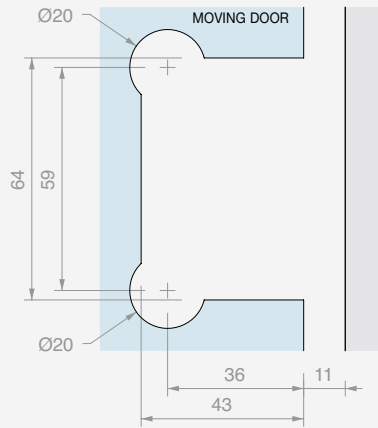


GM0622

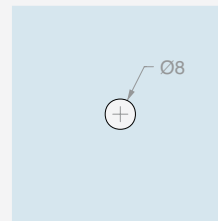


$H_f = H - 5$
 $H_g = H - 34$
 $L_g \text{ MAX } 900$
 $L_f \text{ (MAX } 600) =$
 $LV - L_g - 39$

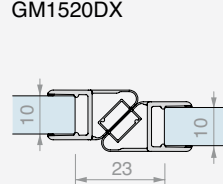
A CHD20COV



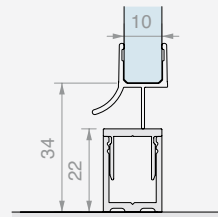
B SP2255



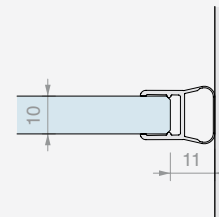
GM1520SX
GM1520DX



GM0210



GM0622

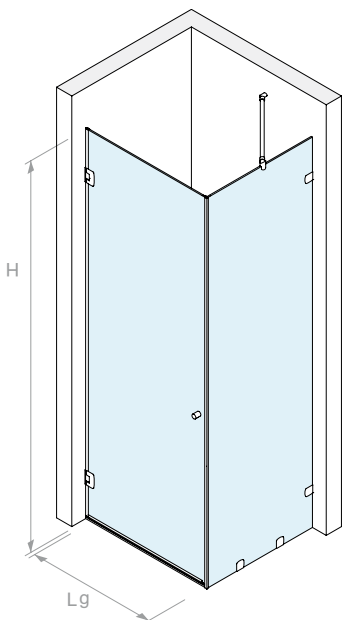




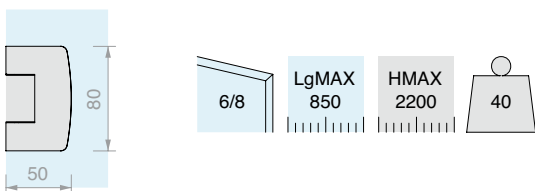


**WALL/WALL CORNER HINGED
SHOWER KIT WITH FIXED PANE AND CLAMPS**

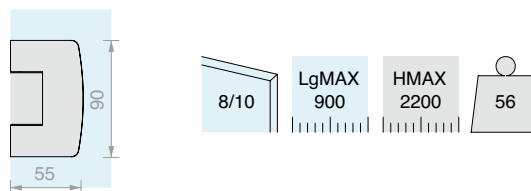
Finish: /1 /2 /4 /24 /R2



VERSION WITH HINGE **CHD10COV** 50 mm x 80 mm



VERSION WITH HINGE **CHD20COV** 55 mm x 90 mm



Kit comprising:

Art.	Description	Qty.
CHD10COV	Adjustable side hinge	2 Pcs
PESQ0810B.100	Water barrier profile	1 Pc
GM6010	Gasket with drip flap	1 Pc
GM58	90° strike jamb gasket	1 Pc
GM62	Balloon gasket	1 Pc
SP2255	Pair of knobs	1 Pc
CHDA55	Jointed stabilizer bar	1 Pc
CHDM41	Clamp flush to the wall	4 Pcs

Kit comprising:

Art.	Description	Qty.
CHD20COV	Adjustable side hinge	2 Pcs
PESQ0810B.100	Water barrier profile	1 Pc
GM0210	Gasket with drip flap	1 Pc
GM5422	90° strike jamb gasket	1 Pc
GM0622	Balloon gasket	1 Pc
SP2255	Pair of knobs	1 Pc
CHDA55G	Jointed stabilizer bar	1 Pc
CHDM41	Clamp flush to the wall	4 Pcs

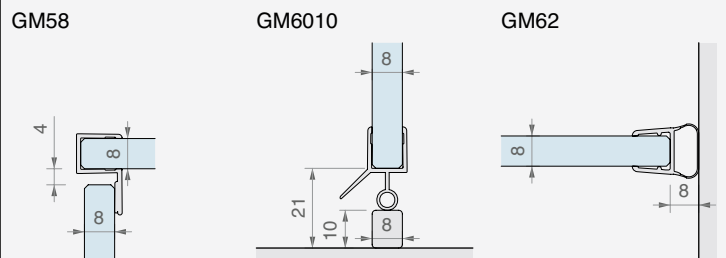
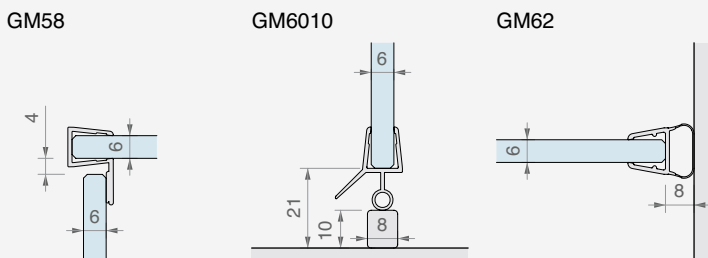
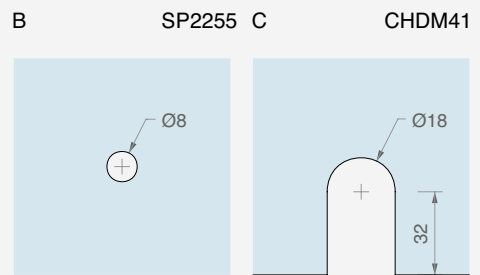
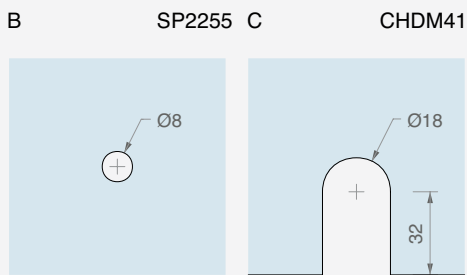
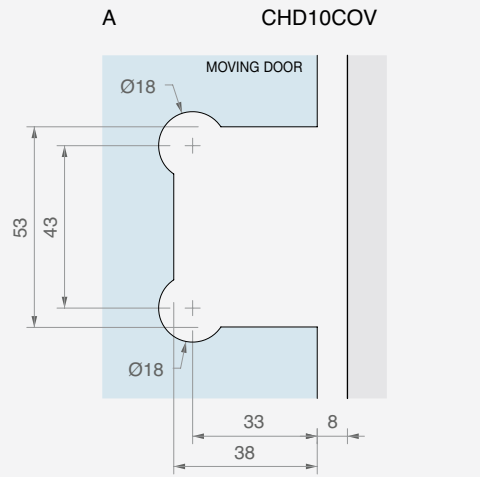
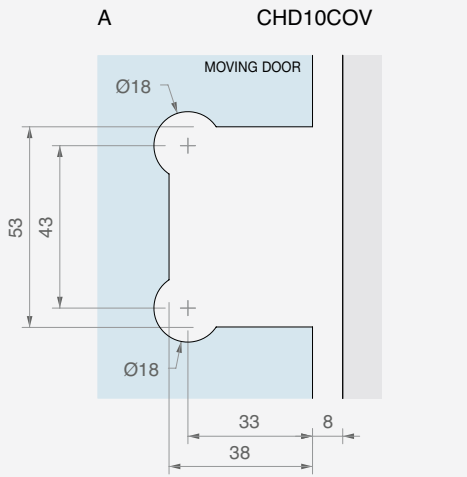
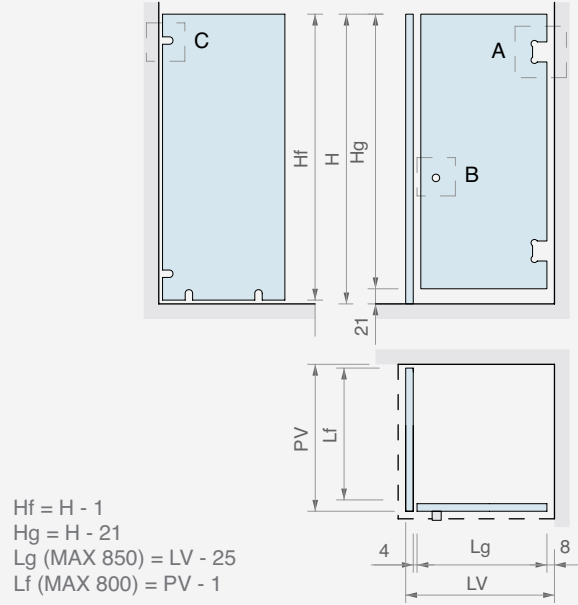
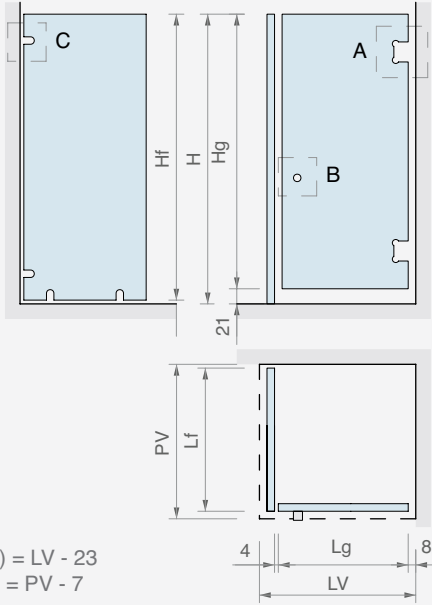
Art.	Qty
BDCHD6813	1 Pc

Art.	Qty
BDCHD81013	1 Pc



GLASS PANE DIMENSIONS

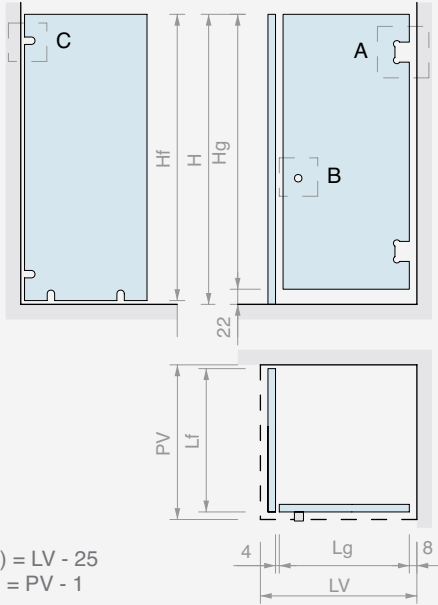
BDCHD6813



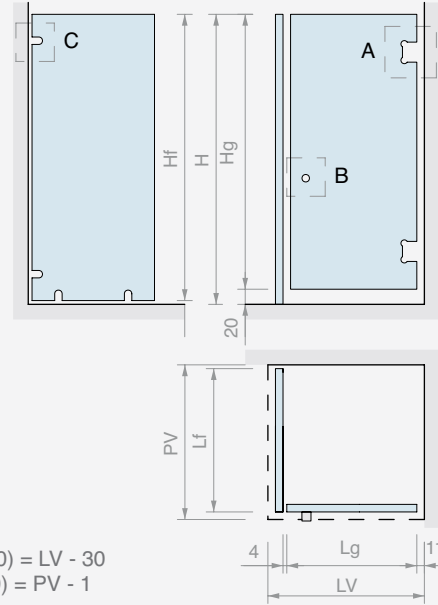


GLASS PANE DIMENSIONS

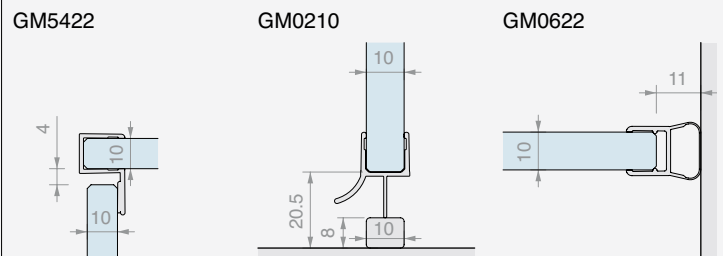
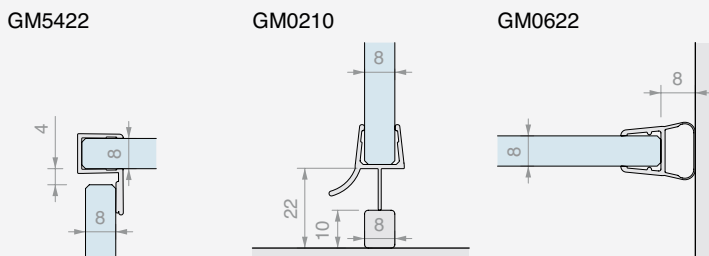
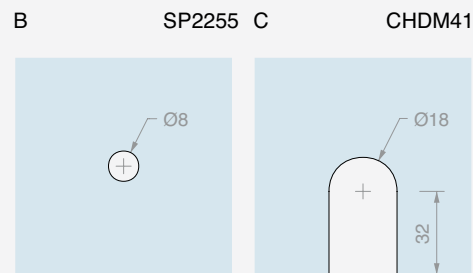
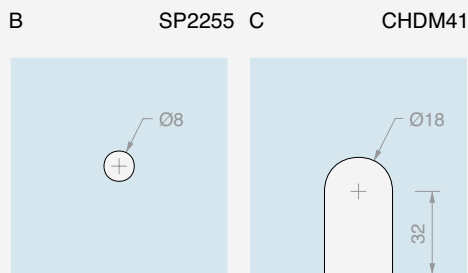
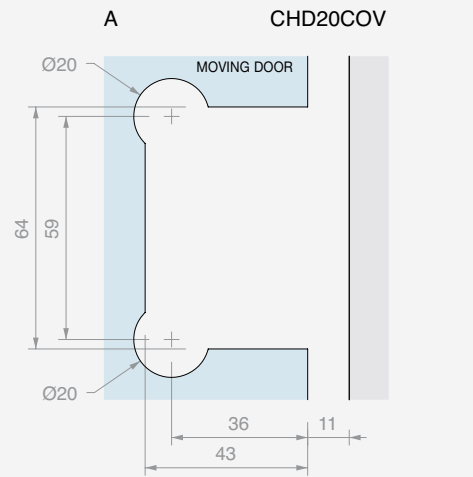
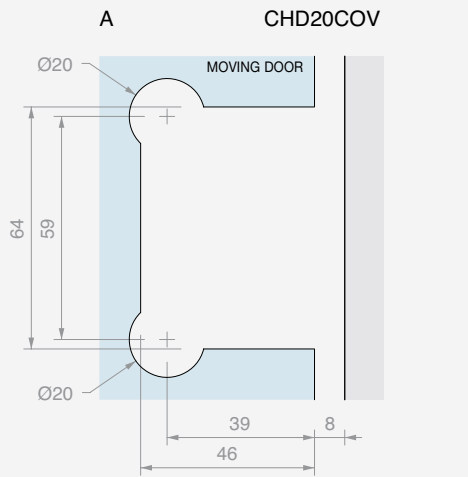
BDCHD81013



Hf = H - 1
 Hg = H - 22
 Lg (MAX 900) = LV - 25
 Lf (MAX 800) = PV - 1



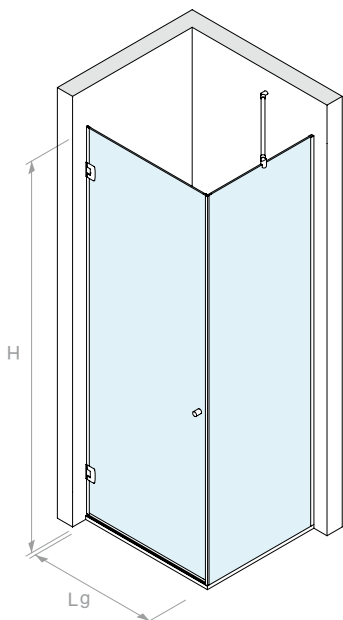
Hf = H - 1
 Hg = H - 20
 Lg (MAX 900) = LV - 30
 Lf (MAX 800) = PV - 1



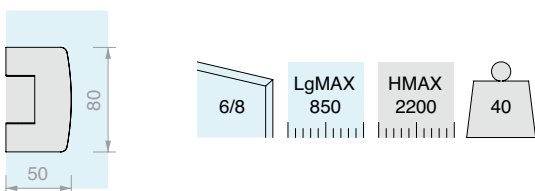


WALL/WALL CORNER HINGED SHOWER KIT WITH FIXED PANE AND PROFILES

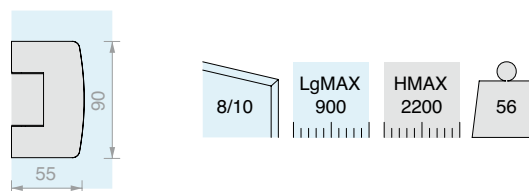
Finish: 



VERSION WITH HINGE **CHD10COV** 50 mm x 80 mm



VERSION WITH HINGE **CHD20COV** 55 mm x 90 mm



Kit comprising:

Art.	Description	Qty.
CHD10COV	Adjustable side hinge	2 Pcs
LMU20B.220	U-shaped profile	2 Pcs
LMU86B.100	Flat upper profile	1 Pc
GTUP4	Glass holder gasket	4 m
GTUP6	Glass holder gasket	4 m
GM58	90° strike jamb gasket	1 Pc
GM6010	Gasket with drip flap	1 Pc
GM62	Balloon gasket	1 Pc
SP2255	Pair of knobs	1 Pc
CHDA55	Jointed stabilizer bar	1 Pc

Kit comprising:

Art.	Description	Qty.
CHD20COV	Adjustable side hinge	2 Pcs
LMU20B.220	U-shaped profile	2 Pcs
LMU86B.100	Flat upper profile	1 Pc
GTUP4	Glass holder gasket	4 m
GTUP2	Glass holder gasket	4 m
GM5422	90° strike jamb gasket	1 Pc
GM0210	Gasket with drip flap	1 Pc
GM0622	Balloon gasket	1 Pc
SP2255	Pair of knobs	1 Pc
CHDA55G	Jointed stabilizer bar	1 Pc

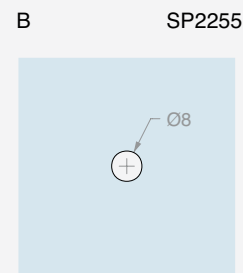
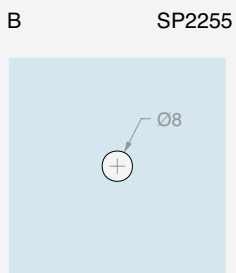
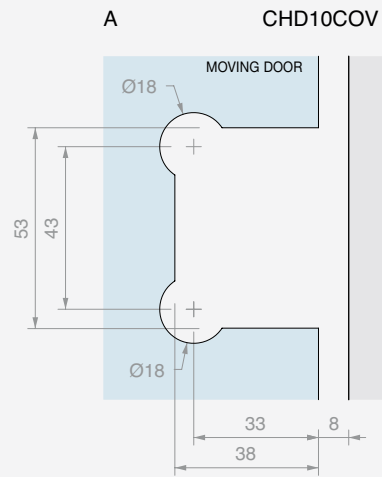
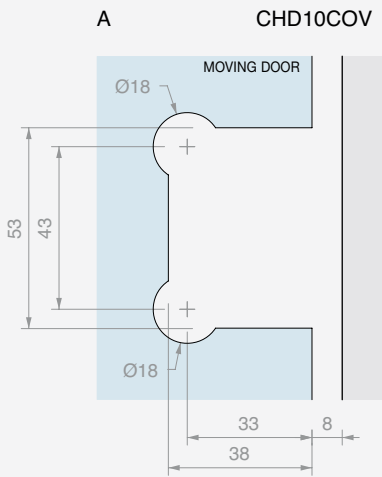
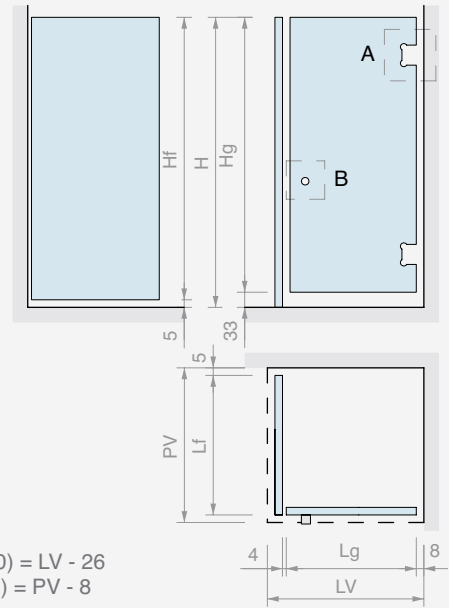
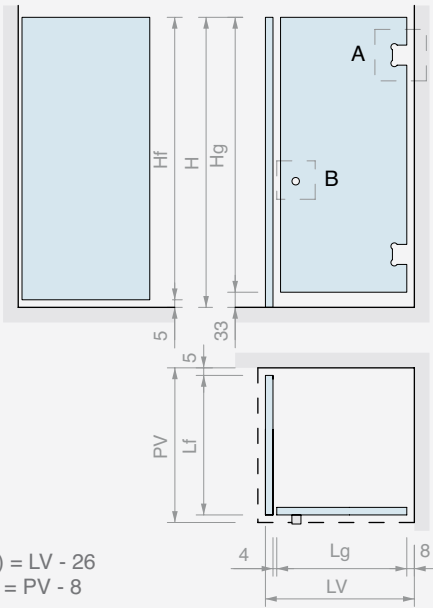
Art. **BDCHD6815** Qty. 1 Pc

Art. **BDCHD81015** Qty. 1 Pc



GLASS PANE DIMENSIONS

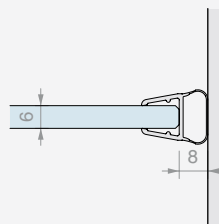
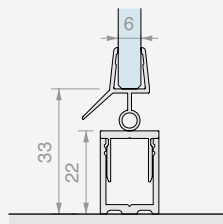
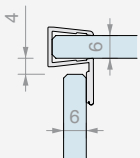
BDCHD6815



GM58

GM6010

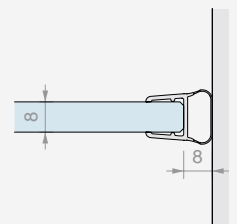
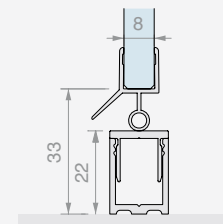
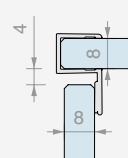
GM62



GM58

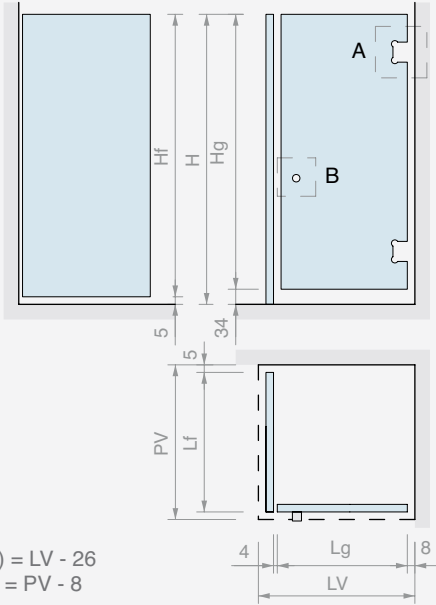
GM6010

GM62

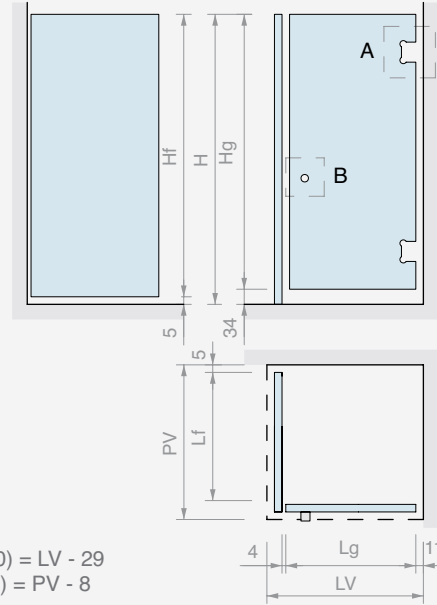


GLASS PANE DIMENSIONS

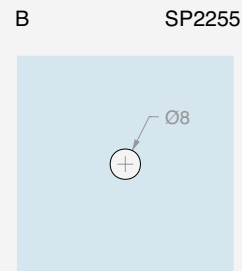
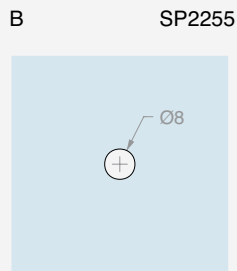
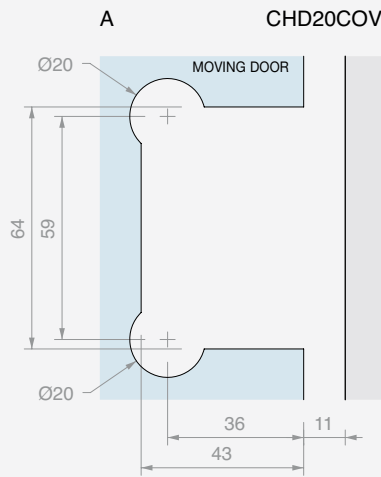
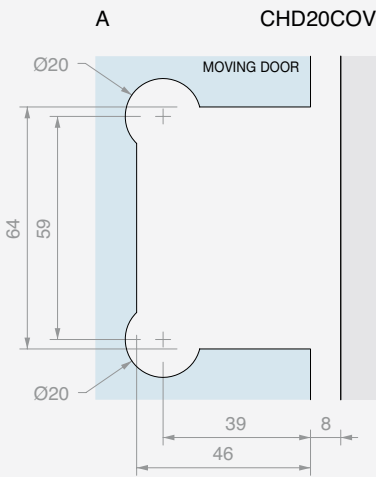
BDCHD81015



Hf = H - 5
 Hg = H - 34
 Lg (MAX 900) = LV - 26
 Lf (MAX 800) = PV - 8



Hf = H - 5
 Hg = H - 34
 Lg (MAX 900) = LV - 29
 Lf (MAX 800) = PV - 8



GM5422

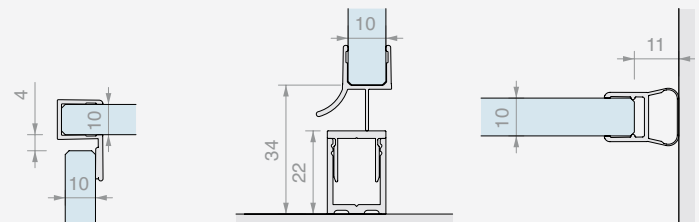
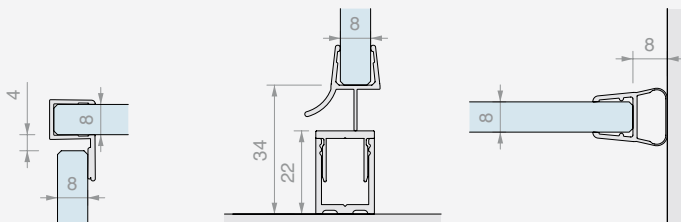
GM0210

GM0622

GM5422

GM0210

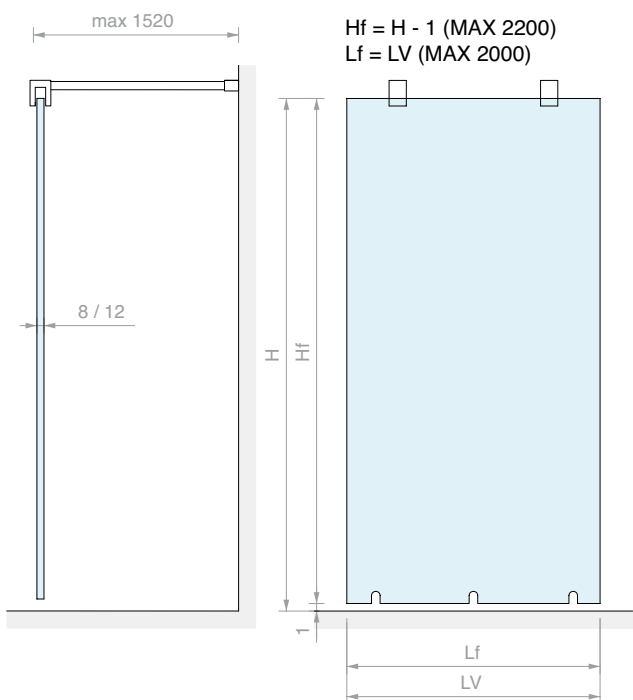
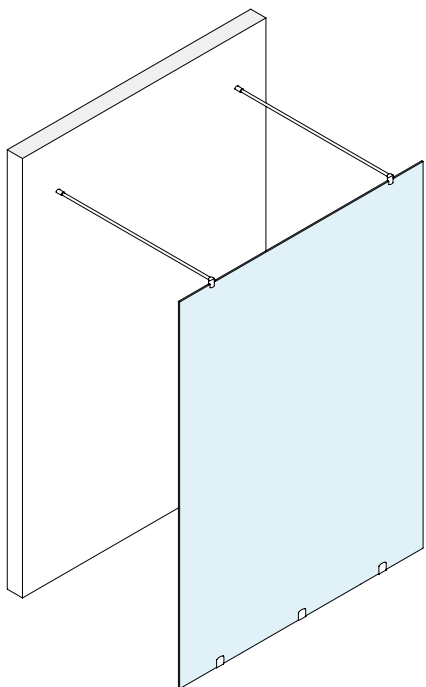
GM0622





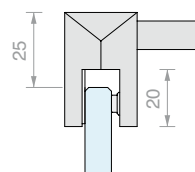
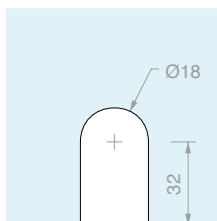
**TWO-SIDE WALK-IN
SHOWER KIT WITH CLAMPS**

Finish: /1 /2 /4 /24 /R2



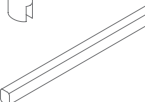


CHDM41

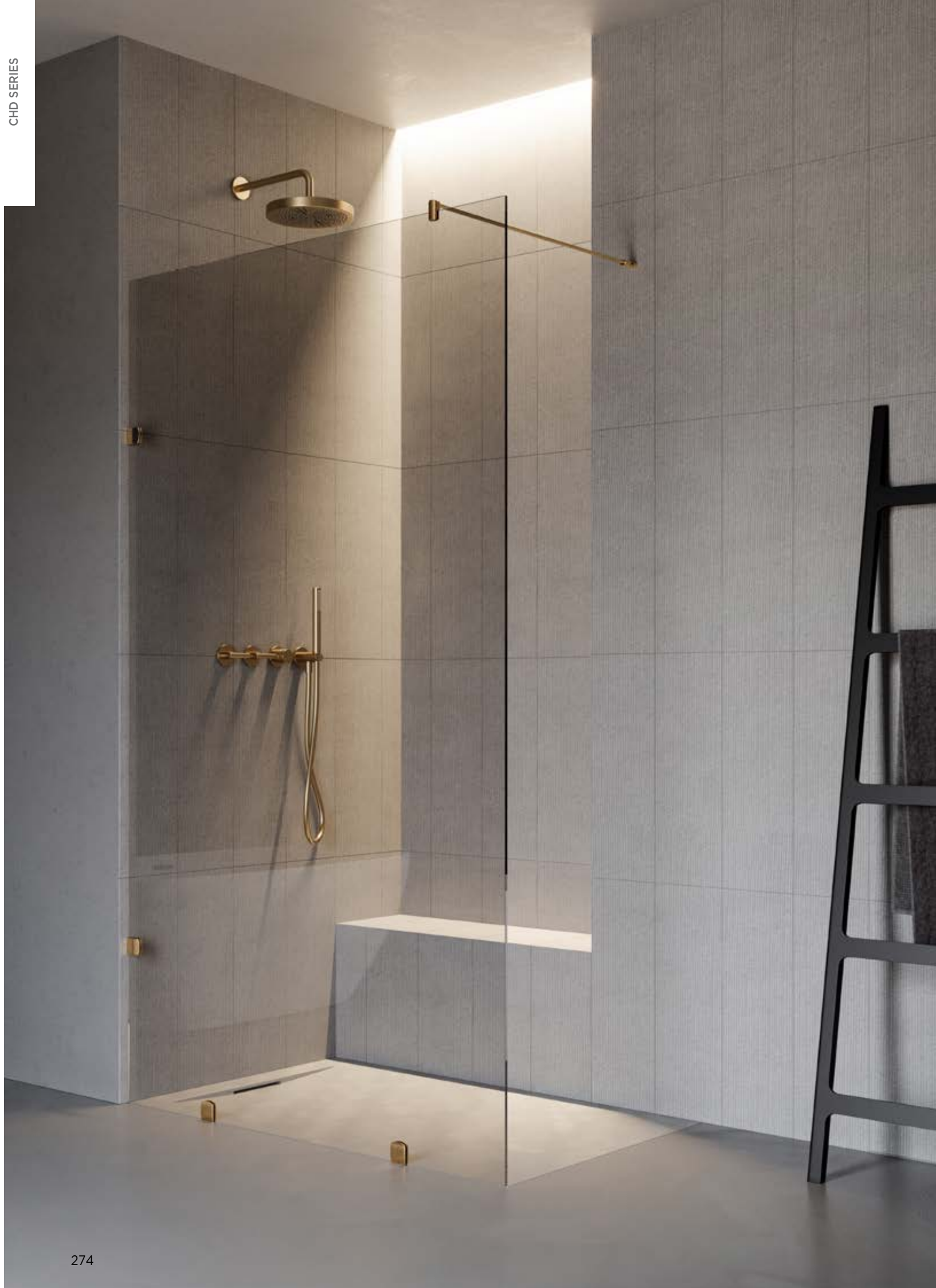
CHDT1500G



Kit comprising:

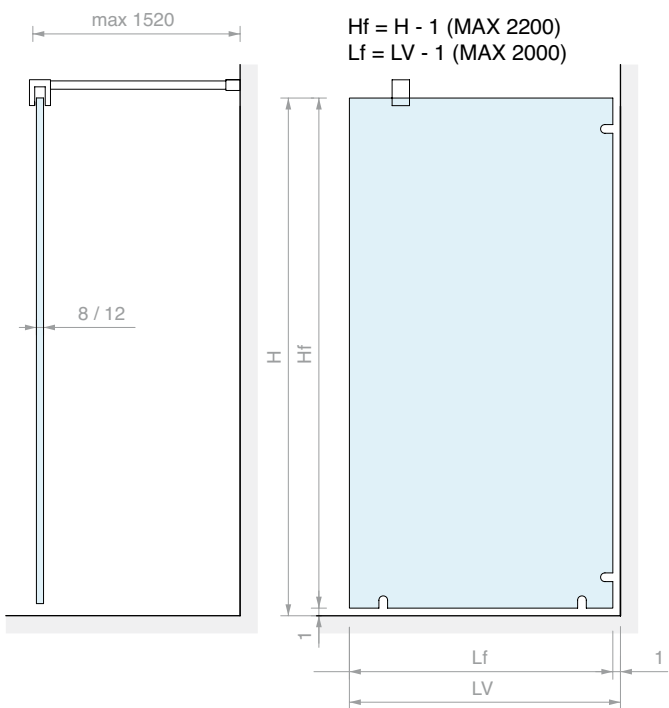
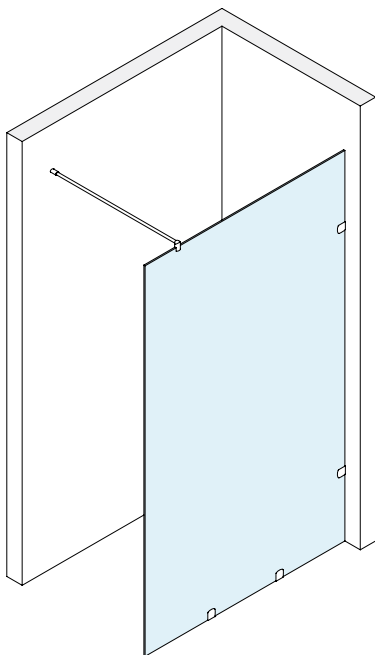
Art.	Description	Qty.	
CHDM41	Clamp flush to the wall	3 Pcs	
CHDT1500G	Fixed stabilizer bar	2 Pcs	
Optional			
PESQ0810B.150	Water barrier profile	2 Pcs	

Art.	For glass	Qty
OPEN03CHD	From 8 to 12 mm	1 Pc



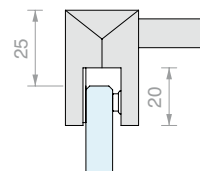
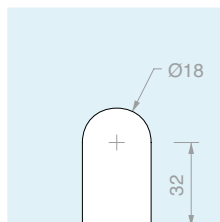
WALK-IN SHOWER KIT WITH CLAMPS

Finish: /1 /2 /4 /24 /R2



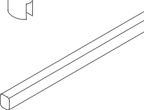


CHDM41

CHDT1500G



Kit comprising:



Art.	Description	Qty.	
CHDM41	Clamp flush to the wall	4 Pcs	
CHDT1500G	Fixed stabilizer bar	1 Pc	
Optional			
PESQ0810B.150	Water barrier profile	1 Pc	

Art.	For glass	Qty
OPEN01CHD	From 8 to 12 mm	1 Pc


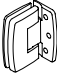
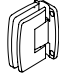
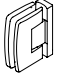
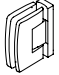
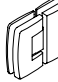
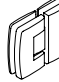



TABLE OF CHD SERIES ACCESSORIES

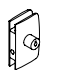
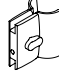
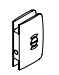

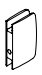
Hinges for glass thickness from **6 to 8 mm**

						
CHD10COV	CHD10	CHD12	CHD14	CHD180	CHD190	CHD1135
Page 278	Page 279	Page 280	Page 281	Page 282	Page 283	Page 284







Hinges for glass thickness from **8 to 12 mm**

							
CHD20COV	CHD20	CHD22	CHD24	CHD24P	CHD280	CHD280P	CHD290
Page 285	Page 286	Page 287	Page 288	Page 289	Page 290	Page 291	Page 292

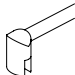
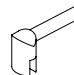
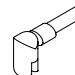
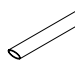






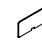
Locks for glass thickness from **8 to 10 mm**

						
CSP75	CSP85	CLP23	CLPM29	CLS18	CLM19	CL105
Page 294	Page 294	Page 294	Page 294	Page 295	Page 295	Page 295

Clamps for glass thickness from **6 to 10 mm**

					
CHDM41	CHDM43	CHDM57	CHDM52	CHDM47	CHDM45
Page 296	Page 296	Page 296	Page 297	Page 297	Page 297

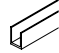
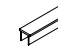
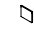
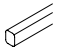
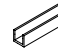
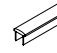
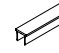
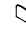
Stabilizer bars

											
From 6 to 8 mm	CHDT	CHDA500	CHDA55	CHDA05	CHDA83	CHDA85	CHDA86	CHDA90	CHDA93	CHDA88	DQMP
	Page 298	Page 299	Page 299	Page 300	Page 300	Page 300	Page 301	Page 301	Page 301	Page 301	Page 302
From 10 to 12 mm	CHDTG	CHDA55G	CHDA500G		CHDA851	CHDA861	CHDA901				
	Page 298	Page 299	Page 299		Page 300	Page 301	Page 301				

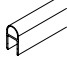
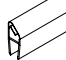
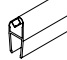
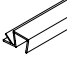
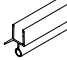
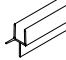
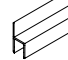
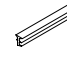
Knobs for glass thickness from **8 to 12 mm**

		
SP2255	SP255	VETCIL35
Page 302	Page 303	Page 303

Profiles for fixed panes and caps

								
From 6 to 12 mm	LMU20B	LMU86B	LMU20TPB	PESQB	PBD3183	PBD3184	PBD3186	PBDTP
	Page 304	Page 304	Page 304	Page 304	Page 305	Page 305	Page 305	Page 305

Gaskets

								
From 6 to 8 mm	GM62	GM12SX	GM12DX	GM58	GM60			GTUP
	Page 306	Page 306	Page 306	Page 306	Page 306			Page 307
From 8 to 10 mm	GM06	GM1520SX	GM1520DX	GM54		GM02	GM0422	
	Page 306	Page 307	Page 307	Page 307		Page 307	Page 307	



WALL/GLASS ADJUSTABLE SIDE HINGE

Material: Brass

Finish: /1 /2 /4 /24 /R2

Spare plate CHDMP1 on page 302

6/8

MAX 850

40

30°(MAX.)

30°(MAX.)

10°(MAX.)

10°(MAX.)

STOP

90°(MAX.)

REST POINT

90°(MAX.)

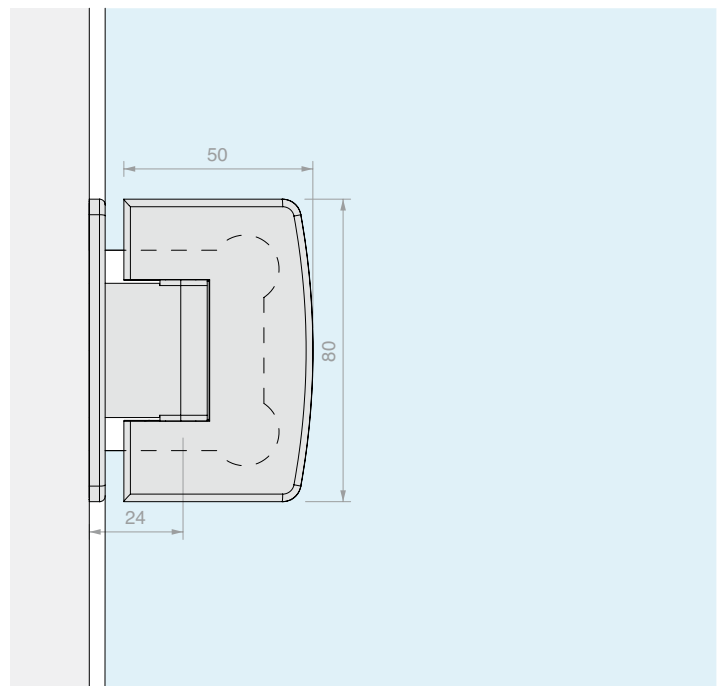
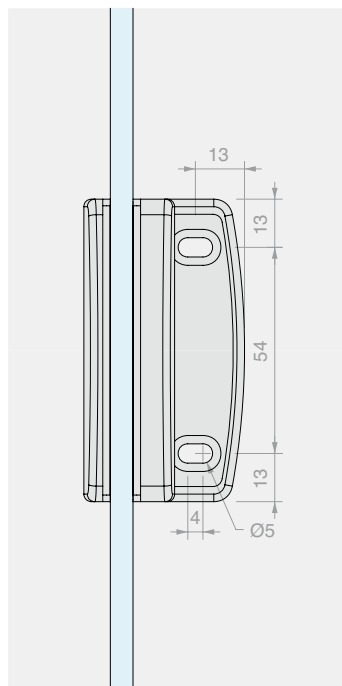
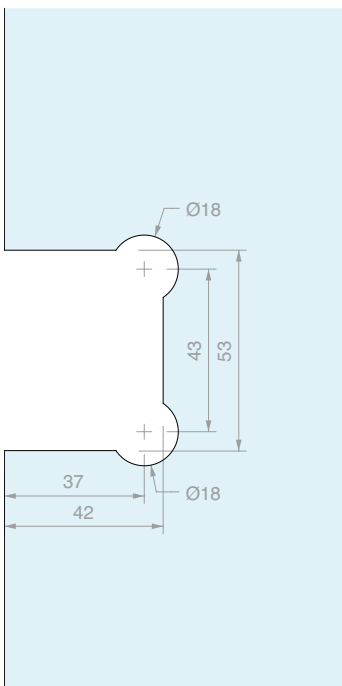
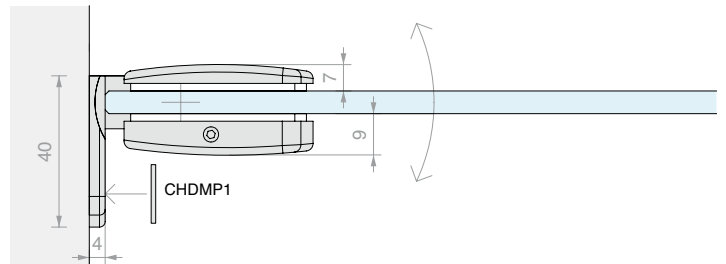
STOP

CLOSING RETURN

±10° ADJUSTMENT

±90° ROTATION

NO VISIBLE SCREWS



Art.
CHD10COV

For glass
From 6 to 8 mm

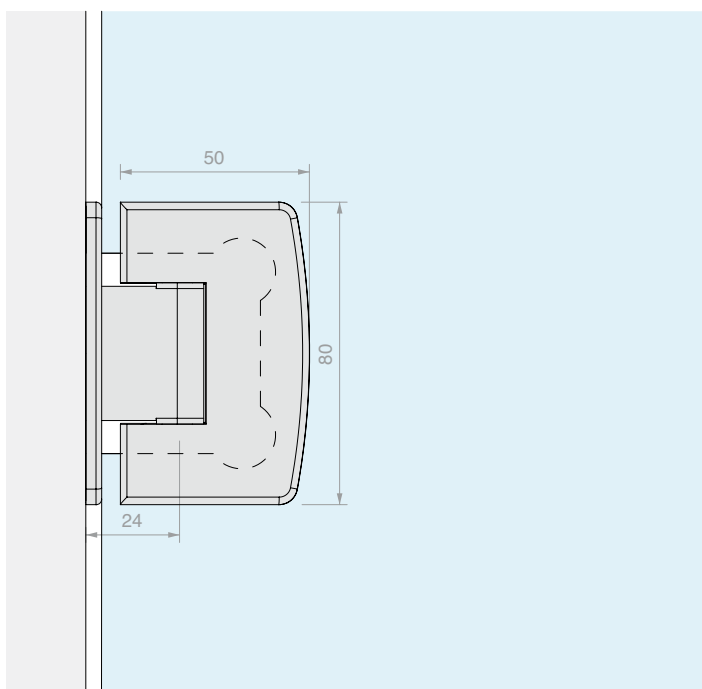
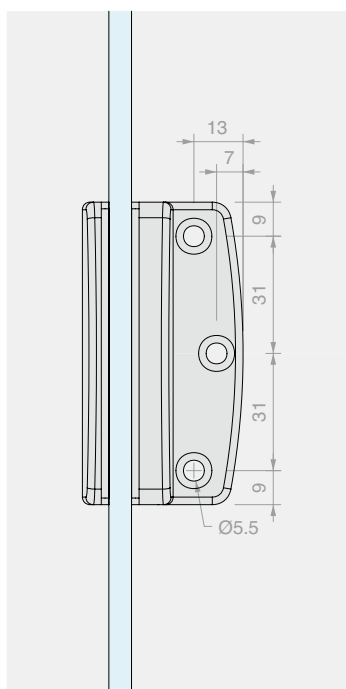
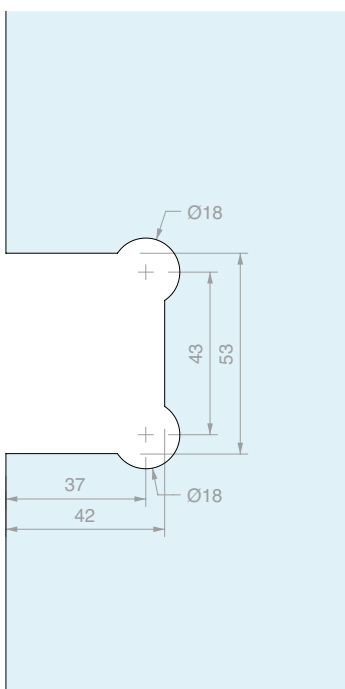
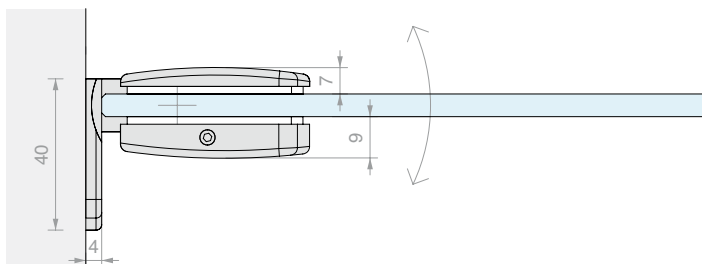
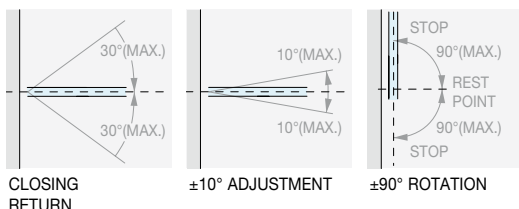
Qty
1 Pc



**WALL/GLASS ADJUSTABLE
SIDE HINGE**

Material: Brass

Finish: /1 /24



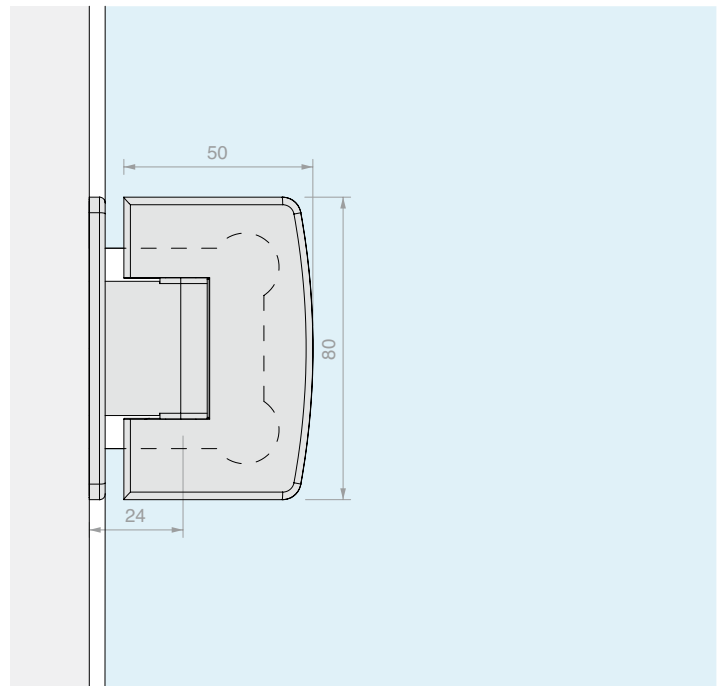
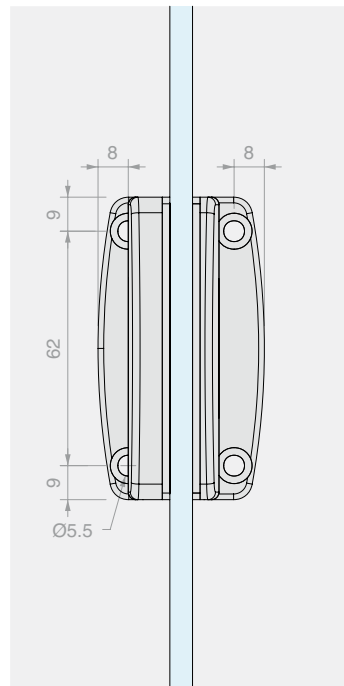
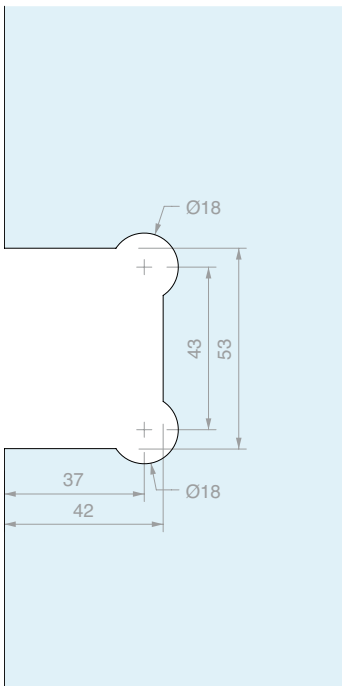
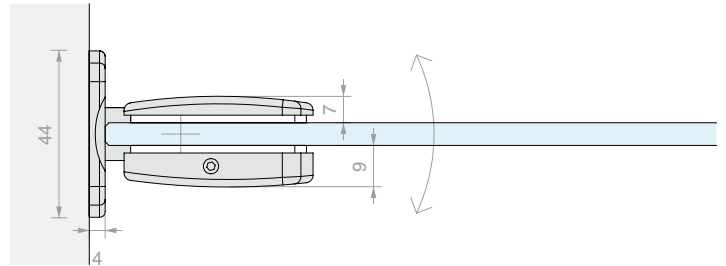
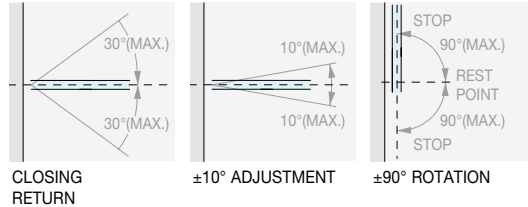
Art.	For glass	Qty
CHD10	From 6 to 8 mm	1 Pc



WALL/GLASS ADJUSTABLE CENTRAL HINGE

Material: Brass

Finish: /1 /24



Art.
CHD12

For glass
From 6 to 8 mm

Qty
1 Pc

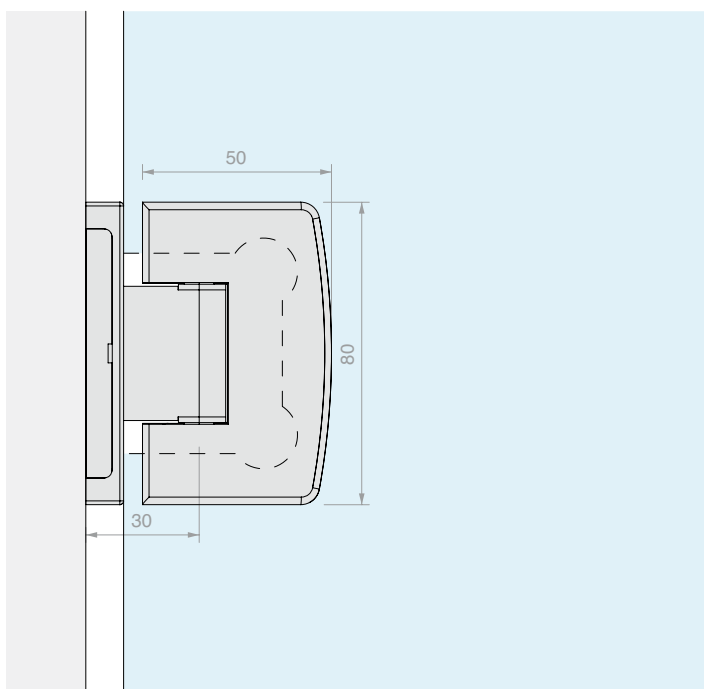
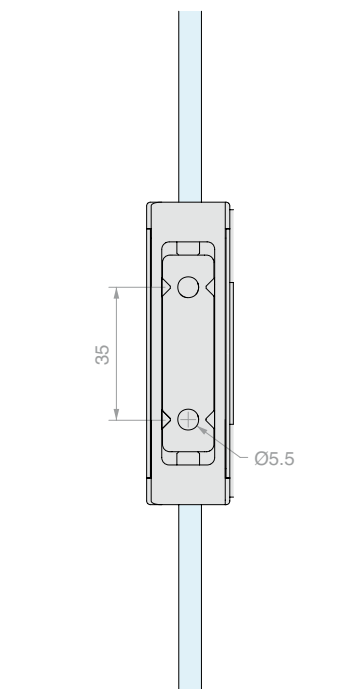
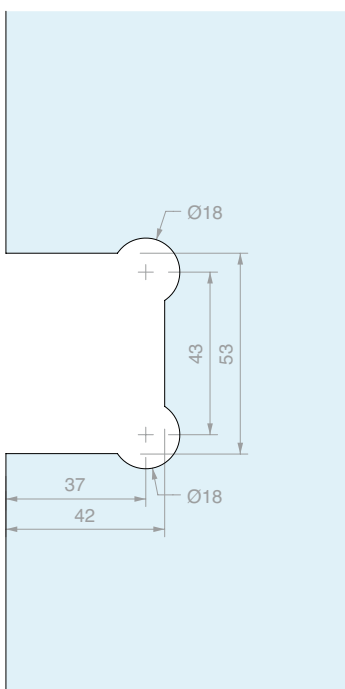
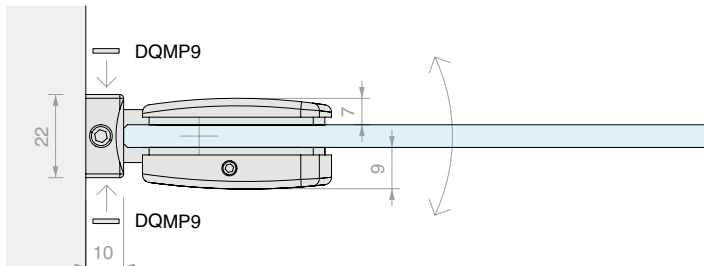


WALL/GLASS ADJUSTABLE HINGE FOR NARROW JAMBS

Material: Brass

Finish: /1 /24

Spare plate DQMP9 on page 302



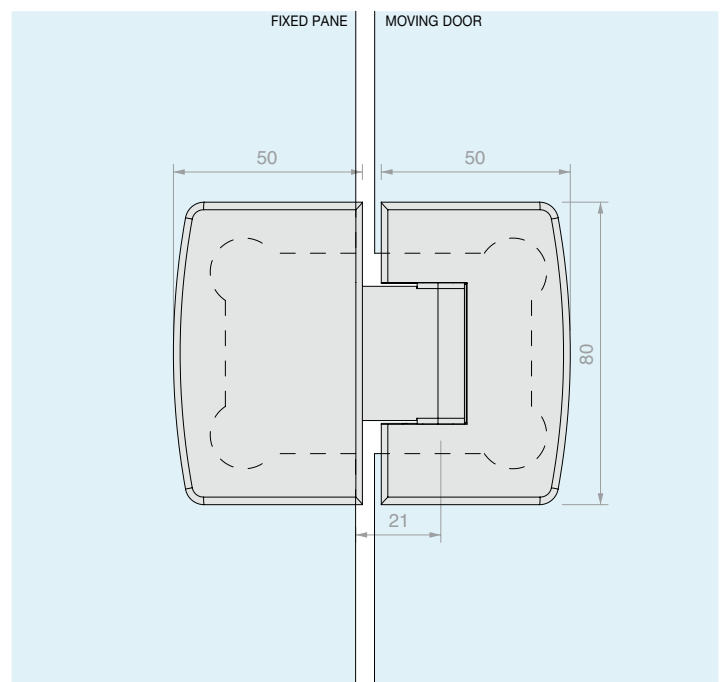
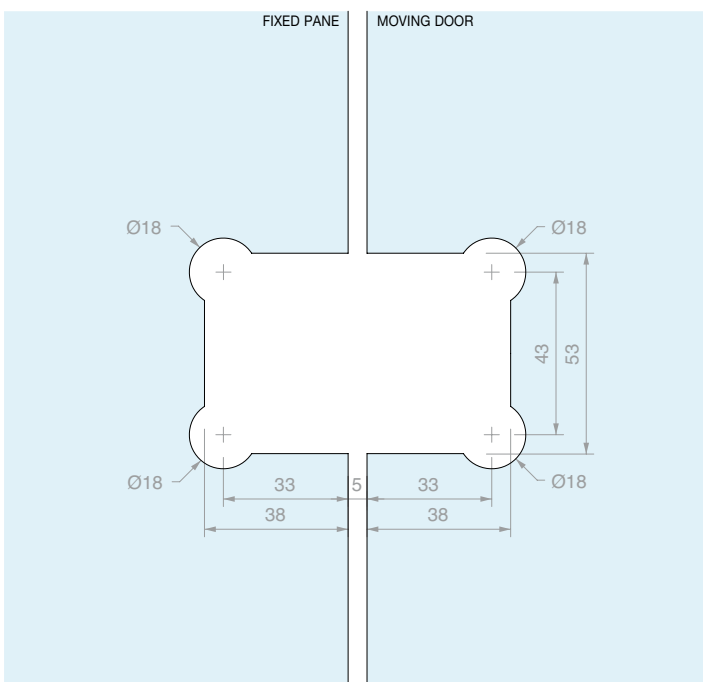
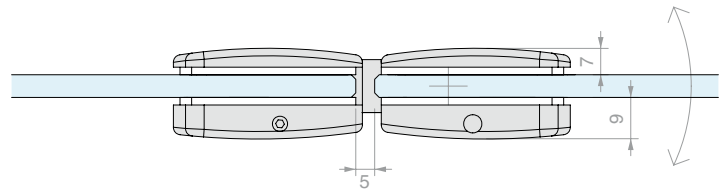
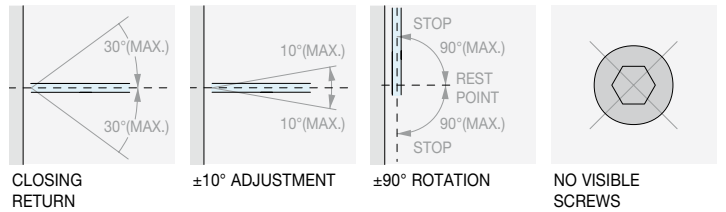
Art.	For glass	Qty
CHD14	From 6 to 8 mm	1 Pc



GLASS/GLASS ADJUSTABLE IN-LINE HINGE

Material: Brass

Finish: /1 /2 /4 /24 /R2



Art.
CHD180

For glass
From 6 to 8 mm

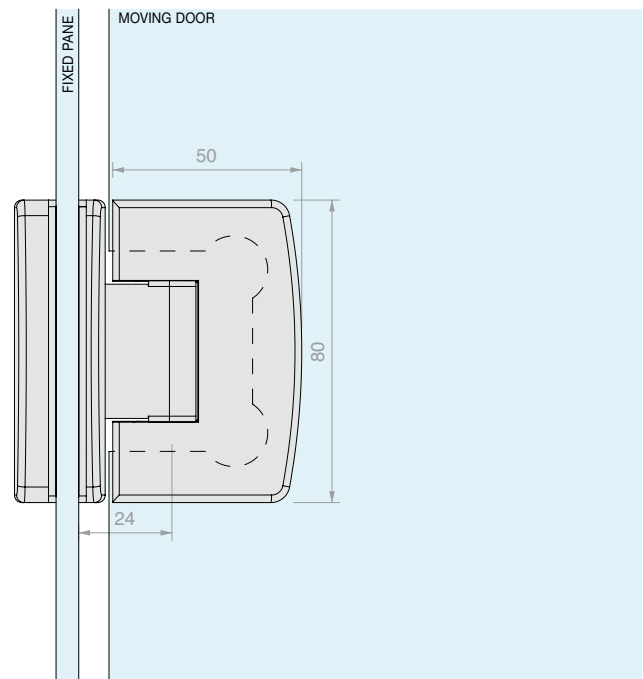
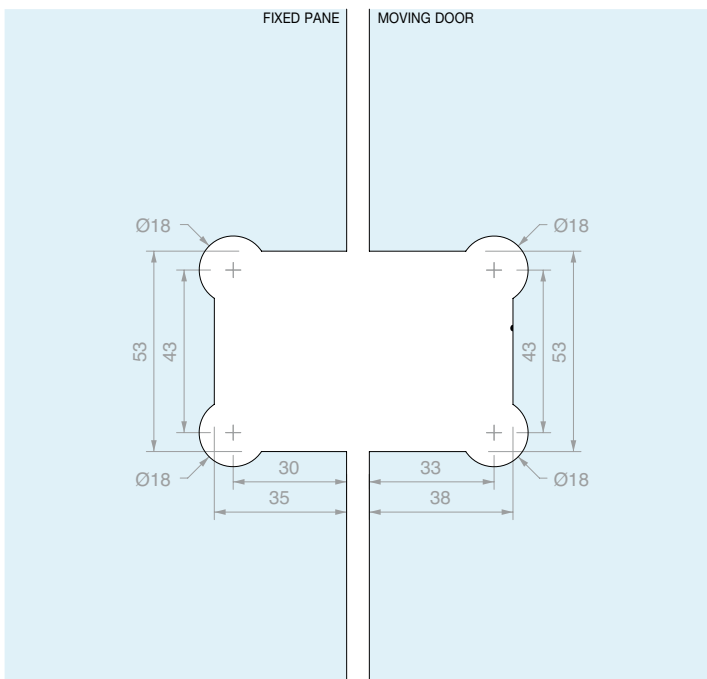
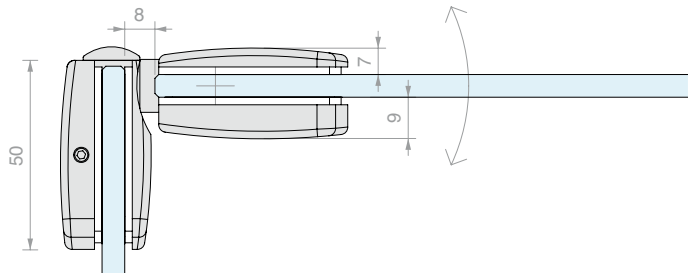
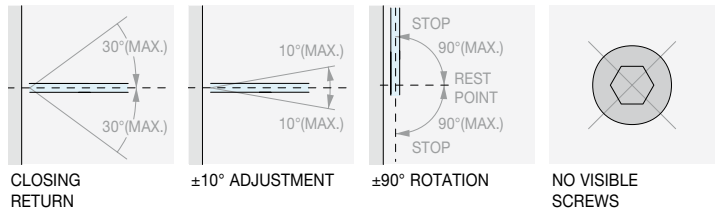
Qty
1 Pc



**GLASS/GLASS 90°
ADJUSTABLE HINGE**

Material: Brass

Finish: /1 /24



Art.
CHD190

For glass
From 6 to 8 mm

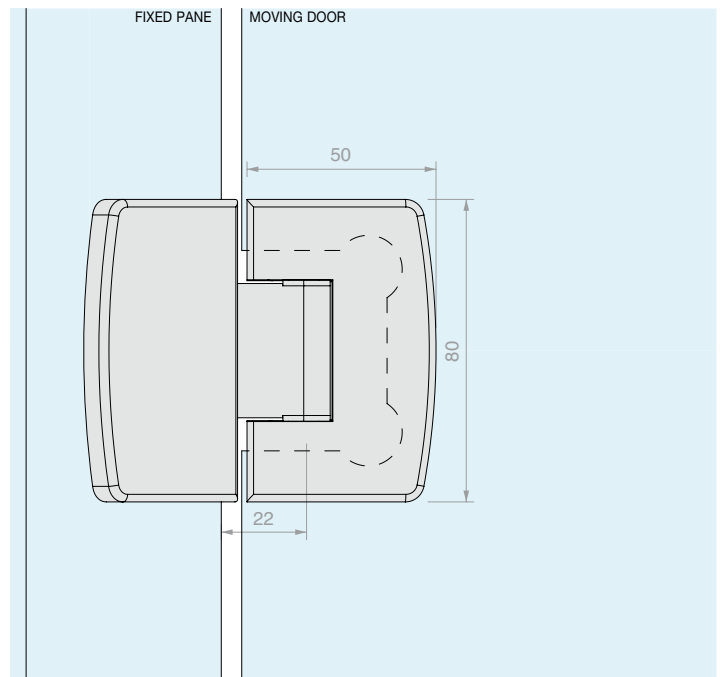
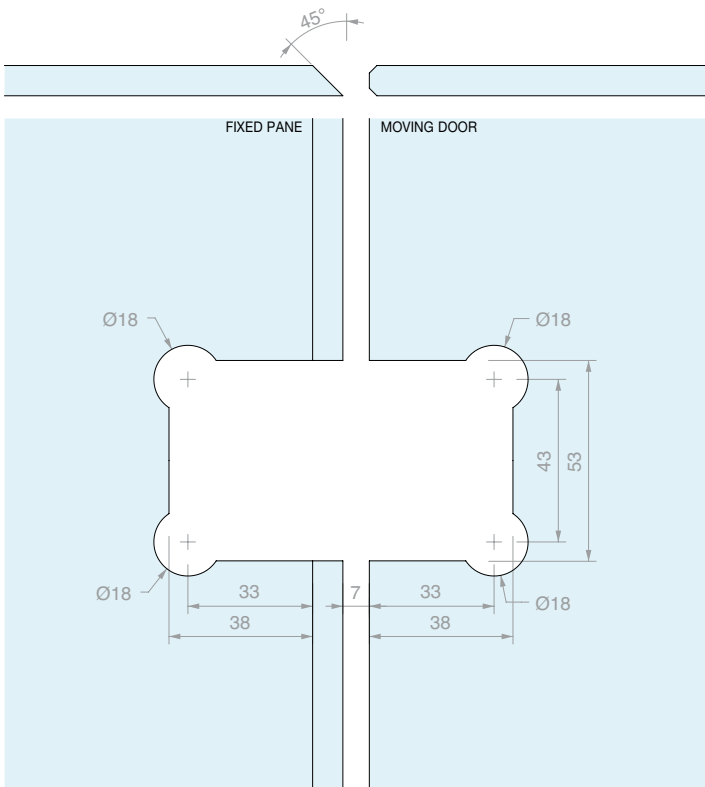
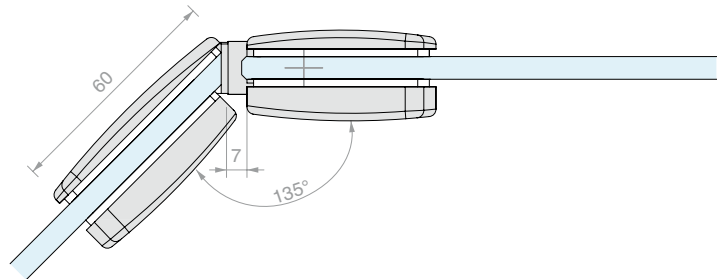
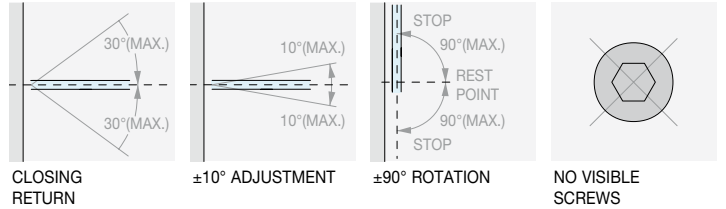
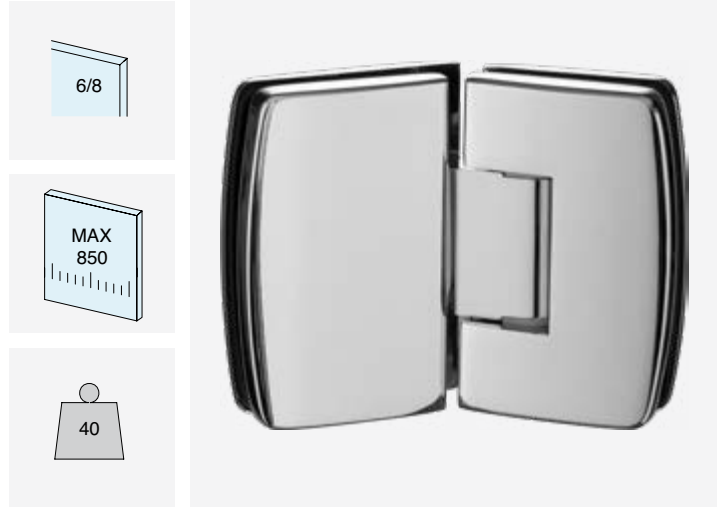
Qty
1 Pc



GLASS/GLASS 135° ADJUSTABLE HINGE

Material: Brass

Finish: /1



Art.
CHD1135

For glass
From 6 to 8 mm

Qty
1 Pc



**WALL/GLASS ADJUSTABLE
SIDE HINGE**

Material: Brass

Finish: /1 /2 /4 /24 /R2

Spare plate CHDMP2 on page 302

8/12

MAX 900

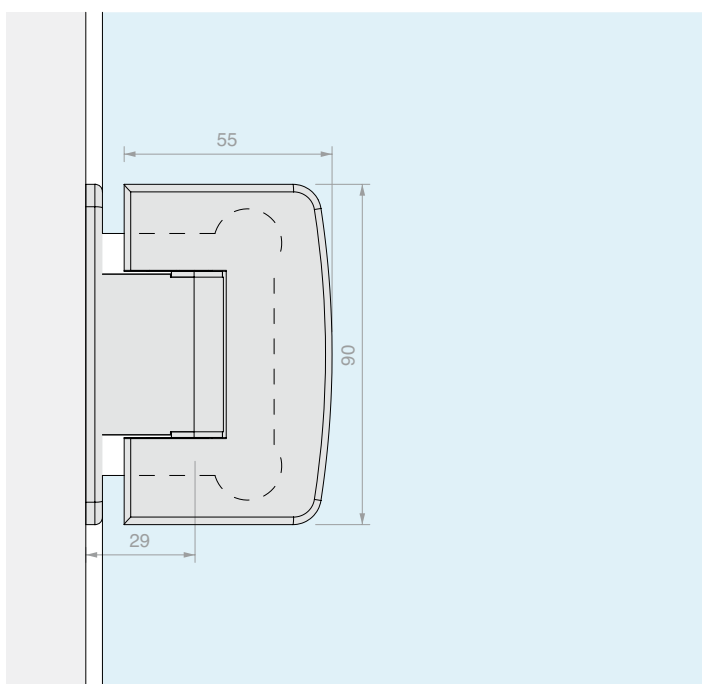
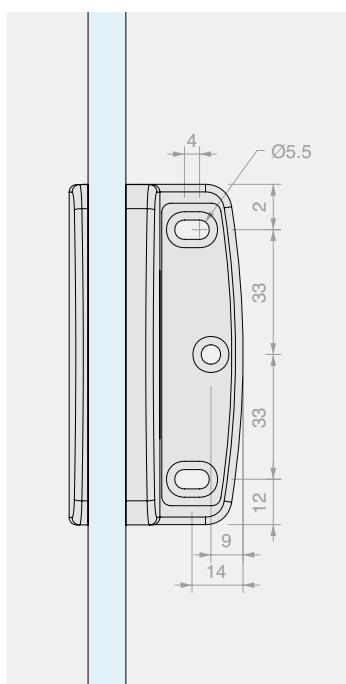
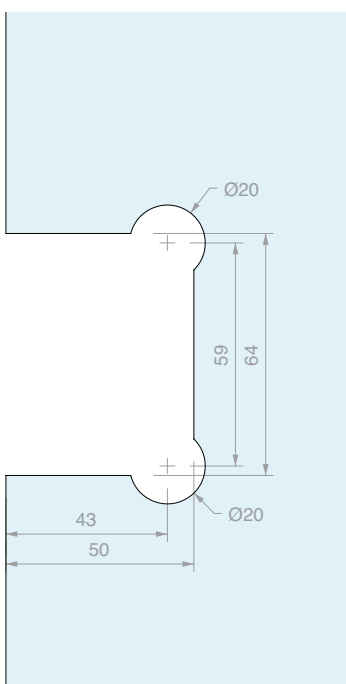
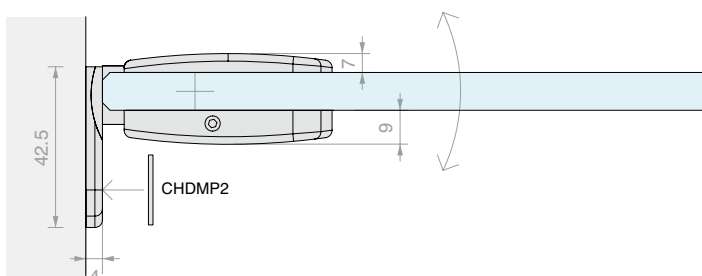
56

CLOSING RETURN

±10° ADJUSTMENT

±90° ROTATION

NO VISIBLE SCREWS



Art.
CHD20COV

For glass
From 8 to 12 mm

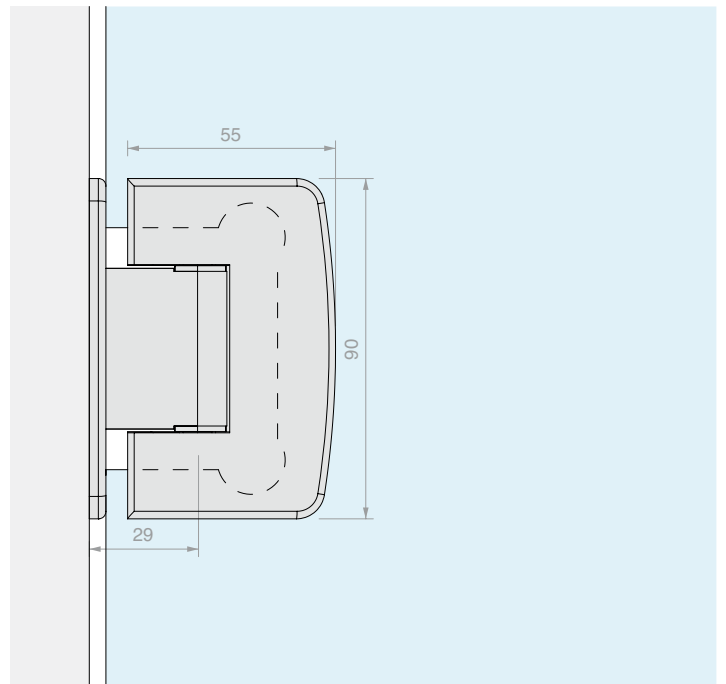
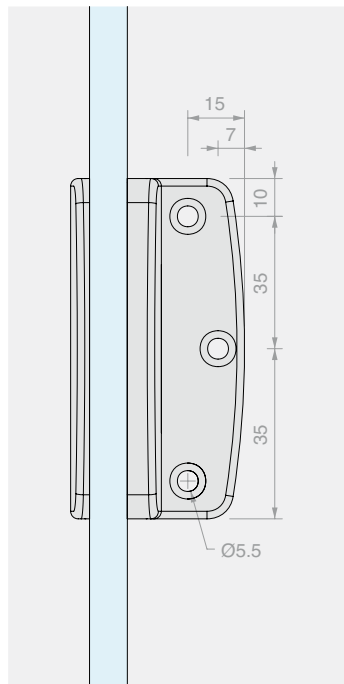
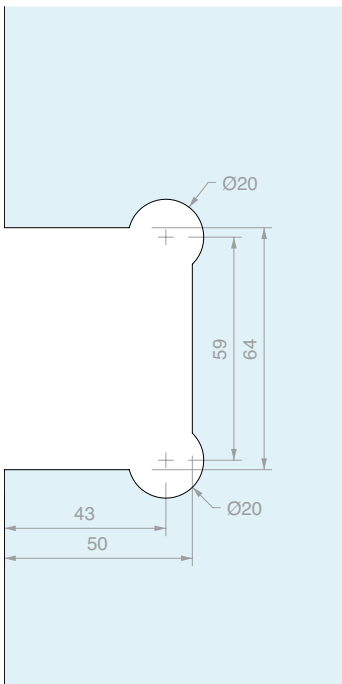
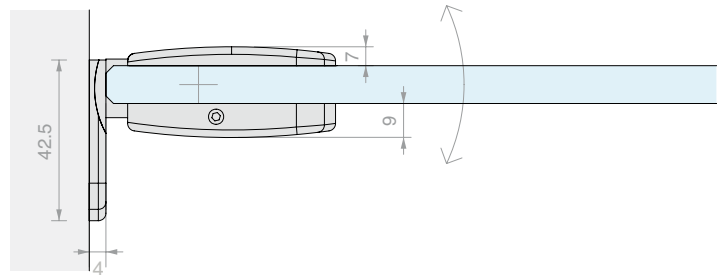
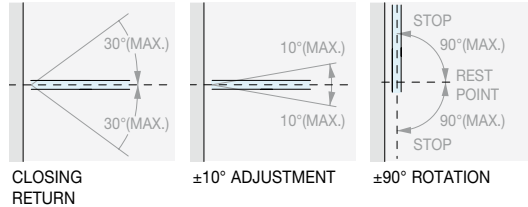
Qty
1 Pc



WALL/GLASS ADJUSTABLE SIDE HINGE

Material: Brass

Finish: /1 /24



Art.
CHD20

For glass
From 8 to 12 mm

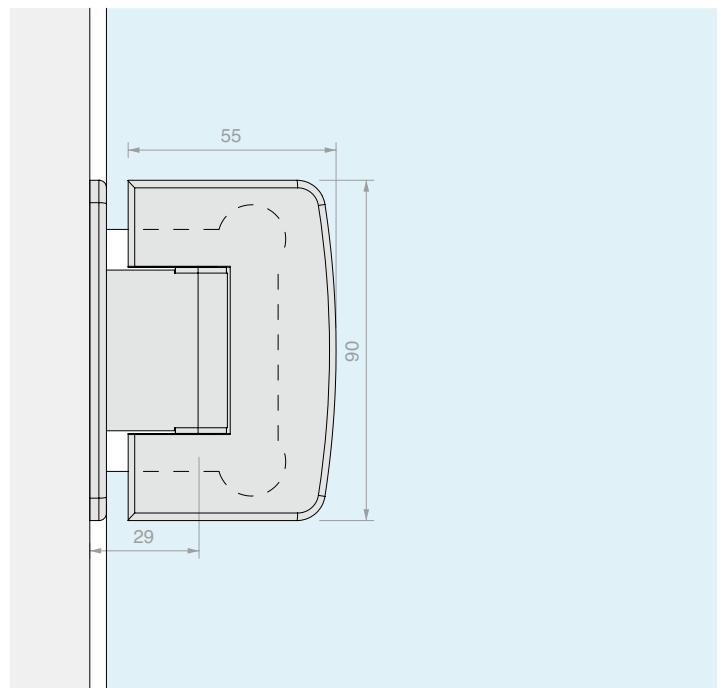
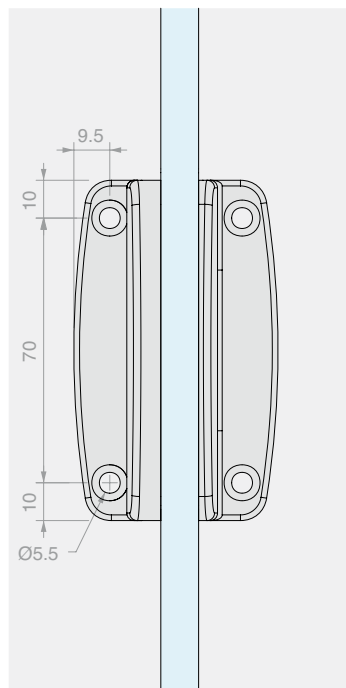
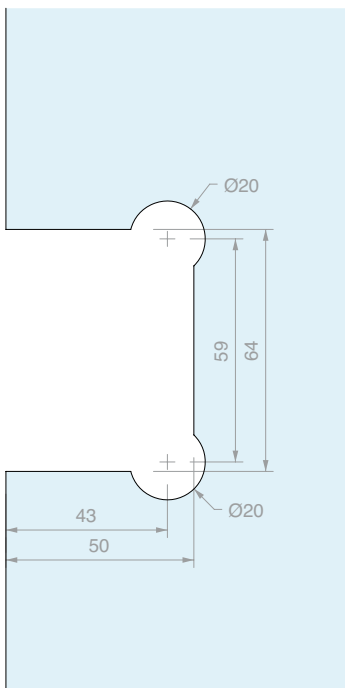
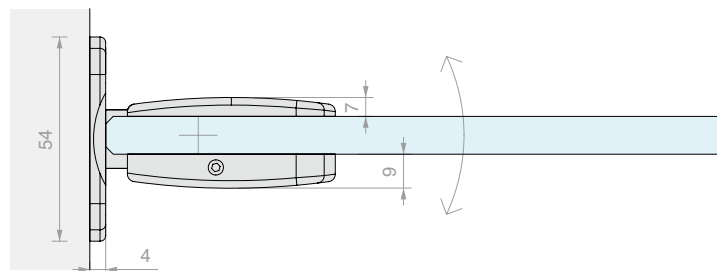
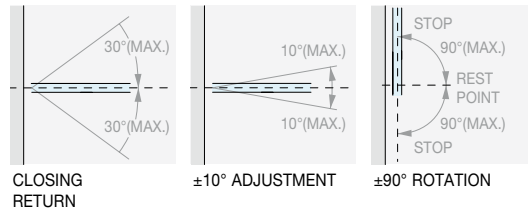
Qty
1 Pc



**WALL/GLASS ADJUSTABLE
CENTRAL HINGE**

Material: Brass

Finish: /1 /24



Art.	For glass	Qty
CHD22	From 8 to 12 mm	1 Pc

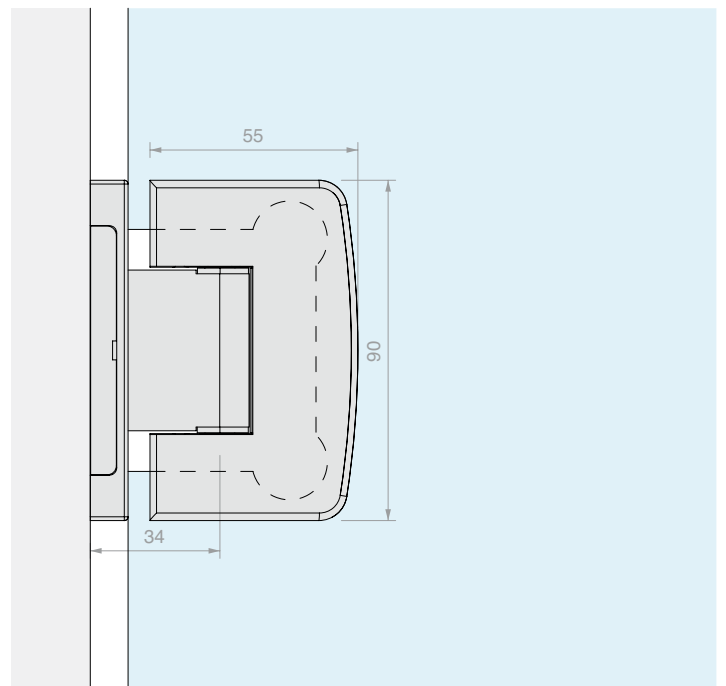
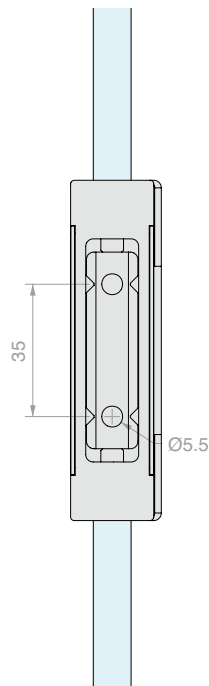
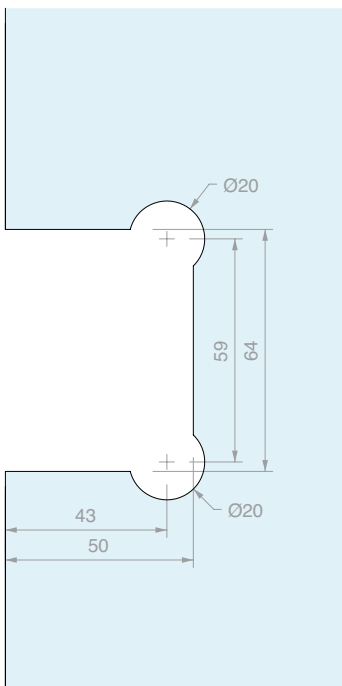
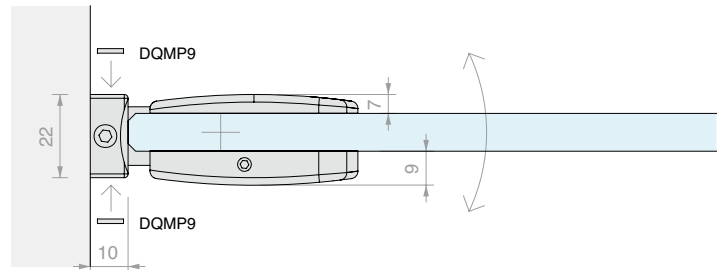
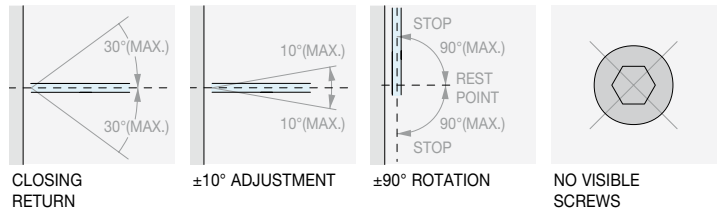


WALL/GLASS ADJUSTABLE HINGE FOR NARROW JAMBS

Material: Brass

Finish: /1 /24

Spare plate DQMP9 on page 302



Art. **CHD24**

For glass
From 8 to 12 mm

Qty
1 Pc

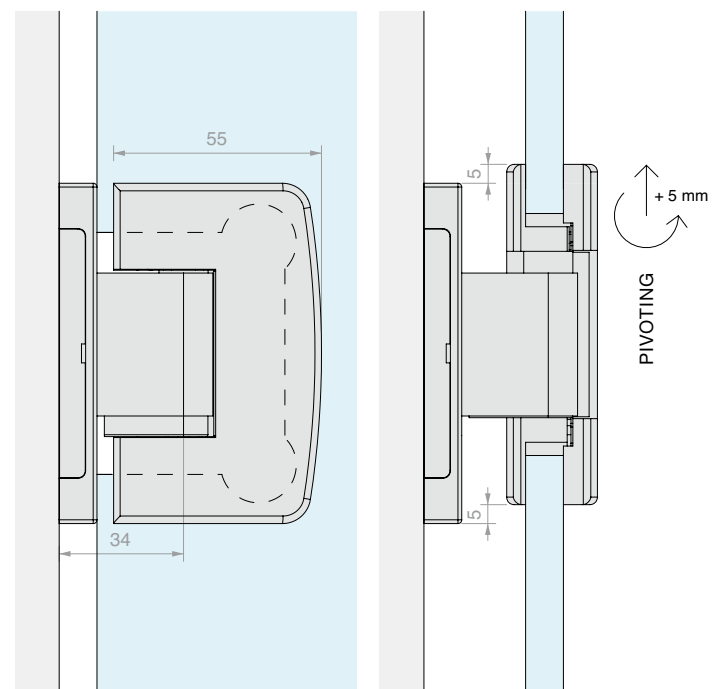
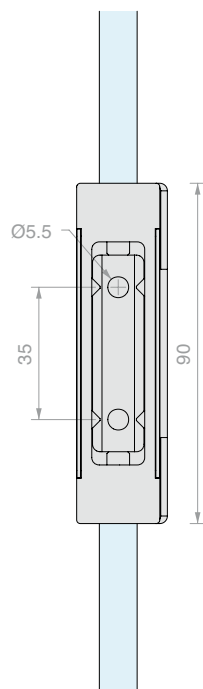
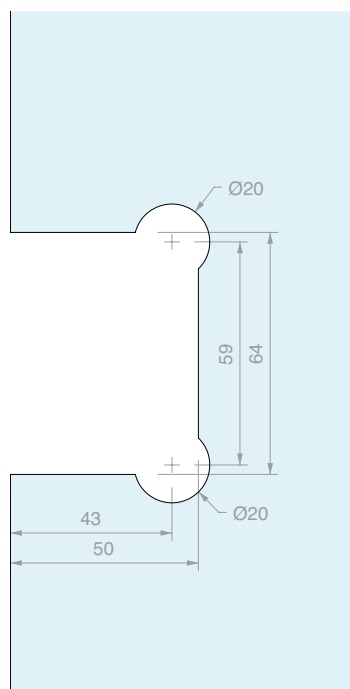
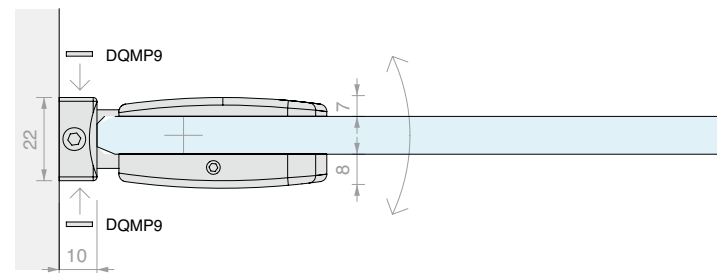


WALL/GLASS ADJUSTABLE PIVOT HINGE FOR NARROW JAMBS

Material: Brass

Finish: /1 /24

Spare plate DQMP9 on page 302



Art.
CHD24P

For glass
From 8 to 12 mm

Qty
1 Pc



GLASS/GLASS ADJUSTABLE IN-LINE HINGE

Material: Brass

Finish: /1 /2 /4 /24 /R2

8/12

MAX 900

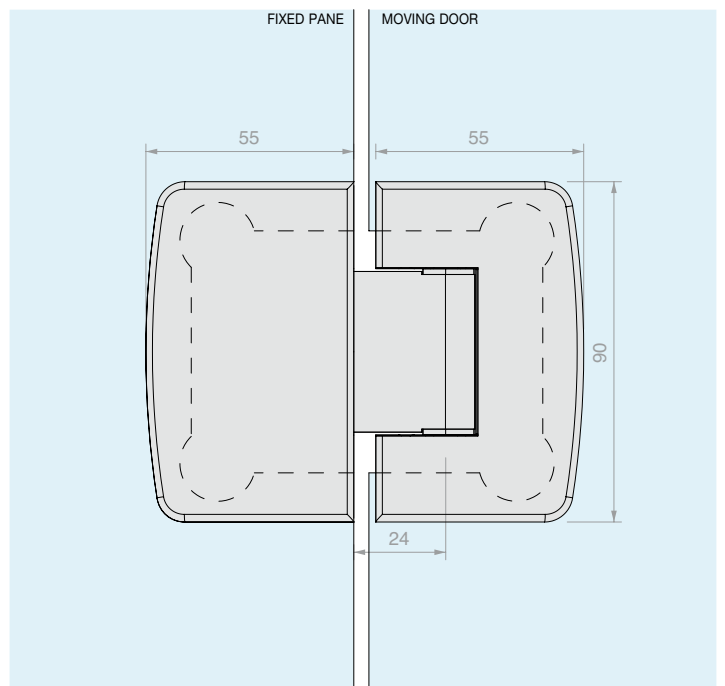
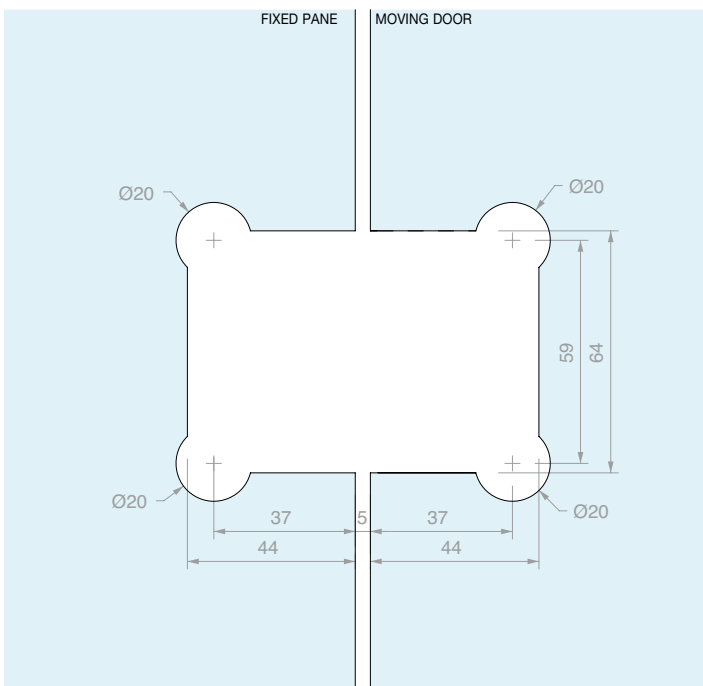
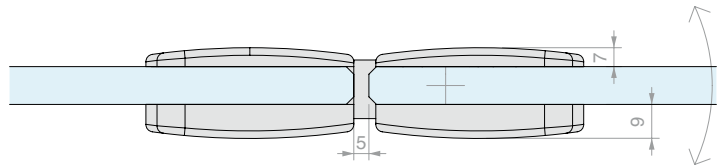
56

CLOSING RETURN

±10° ADJUSTMENT

±90° ROTATION

NO VISIBLE SCREWS



Art. **CHD280** For glass From 8 to 12 mm

Qty 1 Pc

**GLASS/GLASS IN-LINE
ADJUSTABLE PIVOT HINGE**

Material: Brass

Finish: /1 /24





8/12



MAX
900



56





Pivot + 5 mm



CLOSING
RETURN



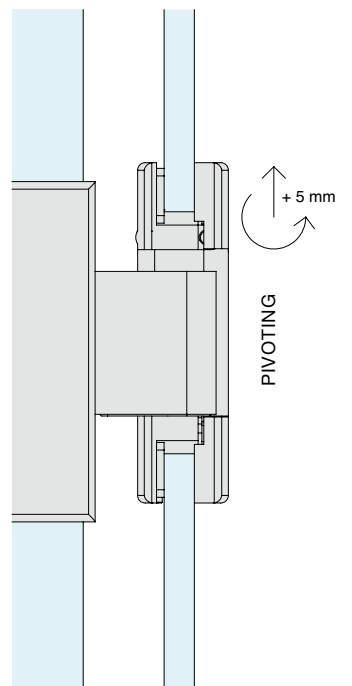
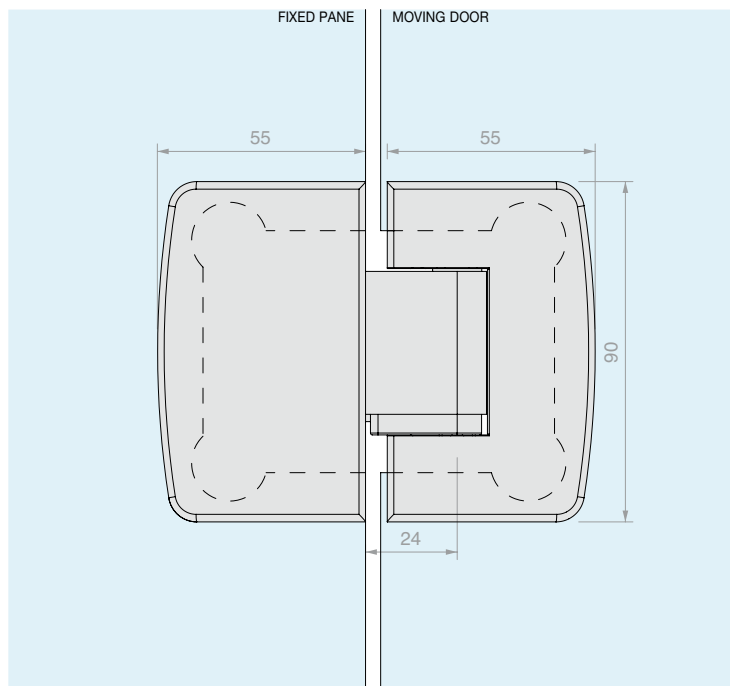
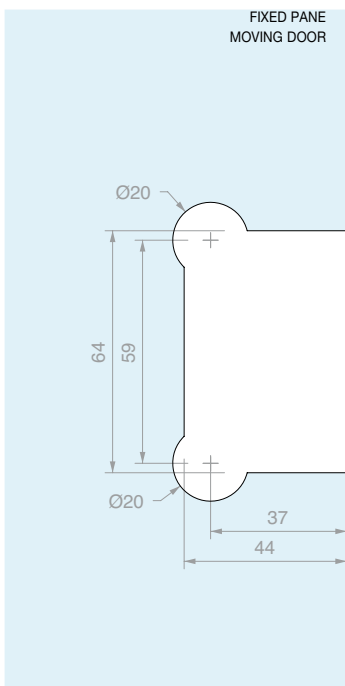
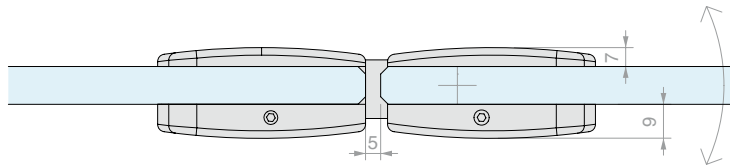
±10° ADJUSTMENT



±90° ROTATION



NO VISIBLE
SCREWS



Art.
CHD280P

For glass
From 8 to 12 mm

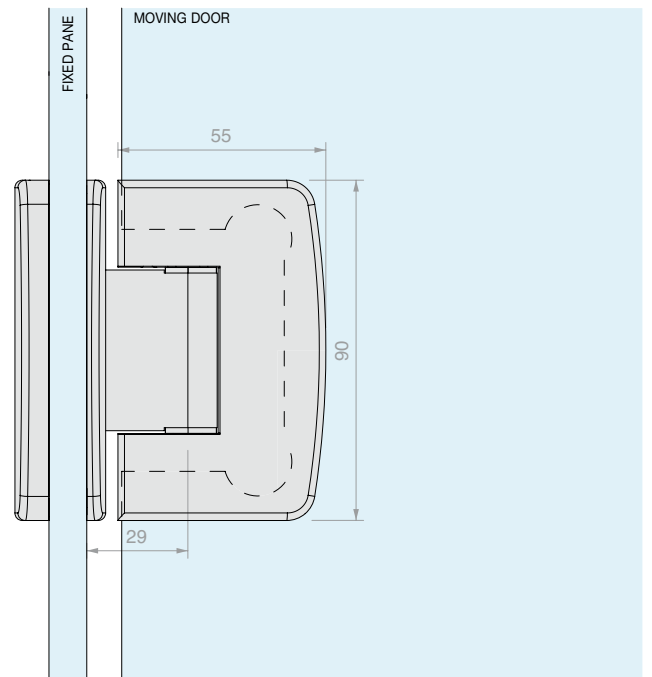
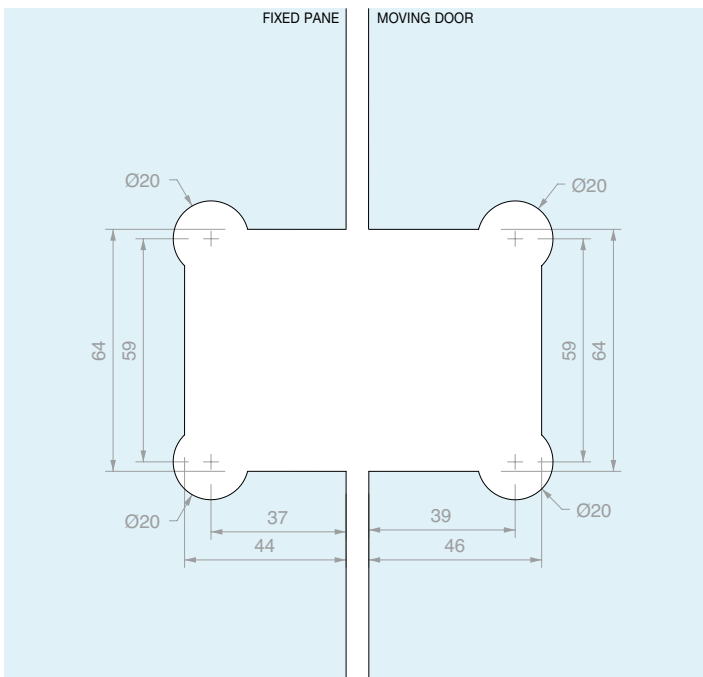
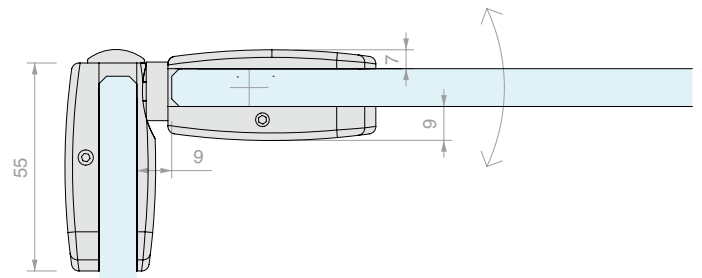
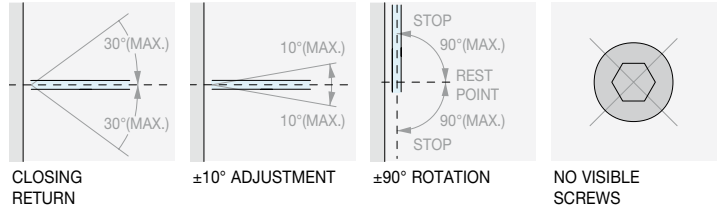
Qty
1 Pc



GLASS/GLASS 90° ADJUSTABLE HINGE

Material: Brass

Finish: /1



Art. **CHD290** For glass From 8 to 12 mm

Qty
1 Pc

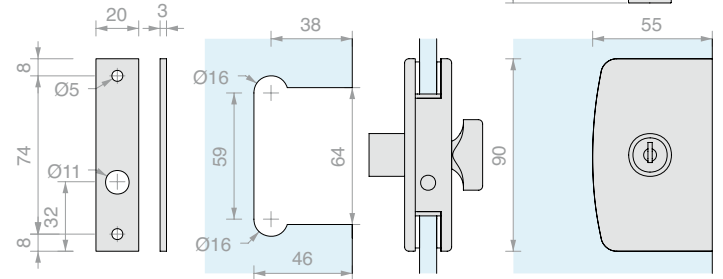




CLOSURE WITH DOOR KNOB AND KEY LOCK

Material: Brass

Finish: /2 /4 /24 /R2



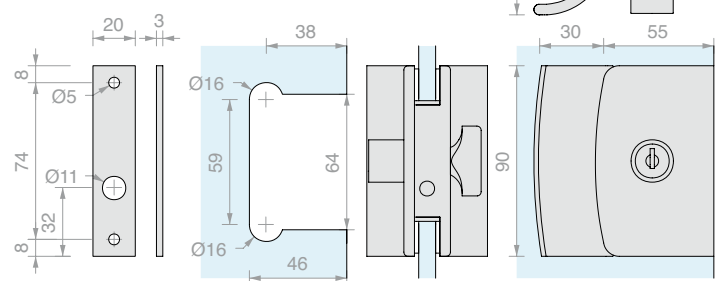
Art.	Pin	For glass	Key	Qty
CSP75	Ø7 L 16 mm	From 8 to 10 mm	Different	1 Pc



CLOSURE WITH DOOR KNOB, KEY LOCK AND HANDLES

Material: Brass

Finish: /24



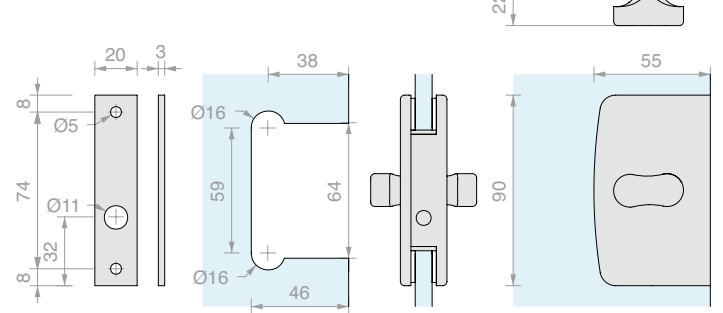
Art.	Pin	For glass	Key	Qty
CSP85	Ø7 L 16 mm	From 8 to 10 mm	Different	1 Pc



LOCK WITH DOUBLE DOOR KNOB

Material: Brass

Finish: /1 /2 /4 /24 /R2



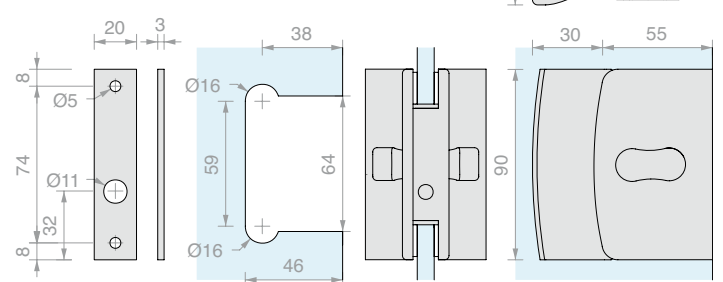
Art.	Pin	For glass	Qty
CLP23	Ø7 L 16 mm	From 8 to 10 mm	1 Pc



CLOSURE WITH DOUBLE DOOR KNOB AND HANDLES

Material: Brass

Finish: /1 /24

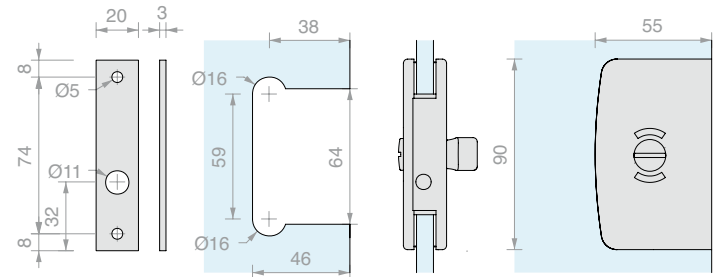


Art.	Pin	For glass	Qty
CLPM29	Ø7 L 16 mm	From 8 to 10 mm	1 Pc



FREE/OCCUPIED CLOSURE WITH DOOR KNOB

Material: Brass
Finish: /24

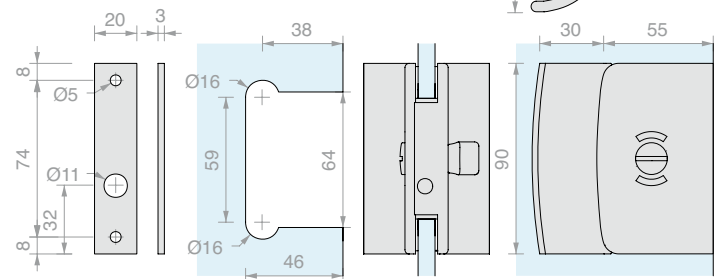


Art.	Pin	For glass	Qty
CLS18	Ø7 L 16 mm	From 8 to 10 mm	1 Pc



FREE/OCCUPIED CLOSURE WITH DOOR KNOB AND HANDLES

Material: Brass
Finish: /1 /24

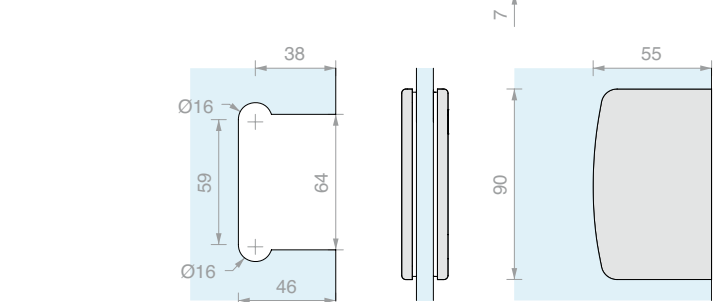


Art.	Pin	For glass	Qty
CLM19	Ø7 L 16 mm	From 8 to 10 mm	1 Pc



STRIKE PLATE FOR GLASS

Material: Brass
Finish: /1 /2 /4 /24 /R2



Art.	For glass	Qty
CL105	From 8 to 10 mm	1 Pc

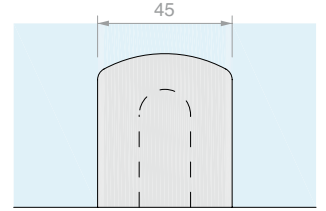
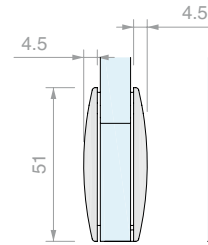
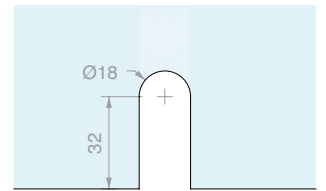


WALL/GLASS CLAMP FLUSH TO WALL

Material: Brass
Invisible screws
Finish: /1 /2 /4 /24 /R2
Spare plate CHDMP4 on page 302



Art. For glass Qty
CHDM41 From 6 to 12 mm 1 Pc

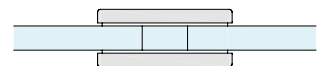
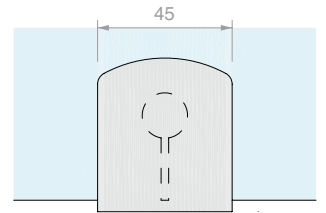
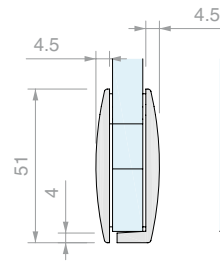
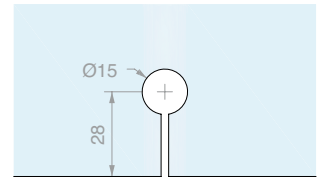


WALL/GLASS CLAMP

Material: Brass
Invisible screws
Finish: /1 /24
Spare plate CHDMP4 on page 302



Art. For glass Qty
CHDM43 From 6 to 12 mm 1 Pc

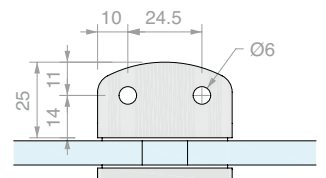
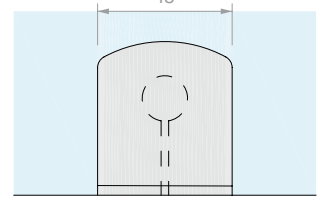
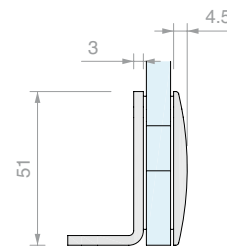
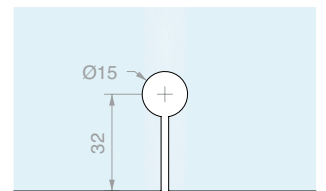


WALL/GLASS SIDE FIXING CLAMP, NARROW

Material: Brass
Invisible screws
Finish: /1 /24
Spare plate DQMP2 and CHDMP3 on page 302



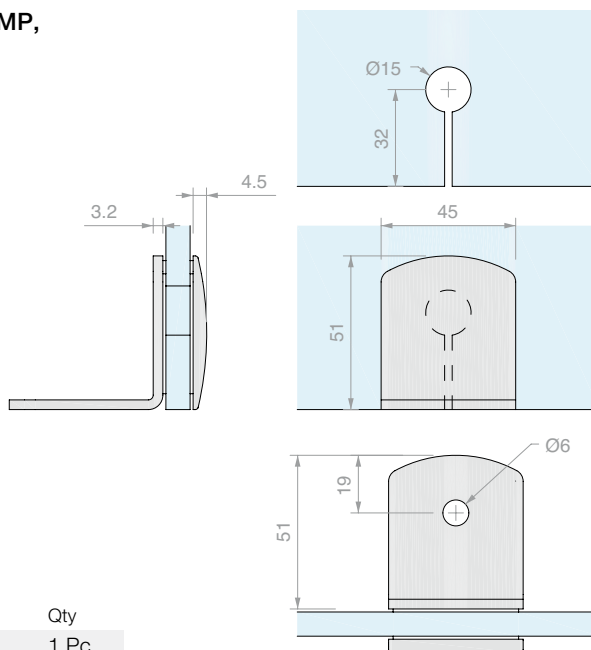
Art. For glass Qty
CHDM57 From 6 to 12 mm 1 Pc





WALL/GLASS SIDE FIXING CLAMP, LARGE

Material: Brass
 Invisible screws
 Finish: /1 /24
 Spare plate DQMP2 on page 302

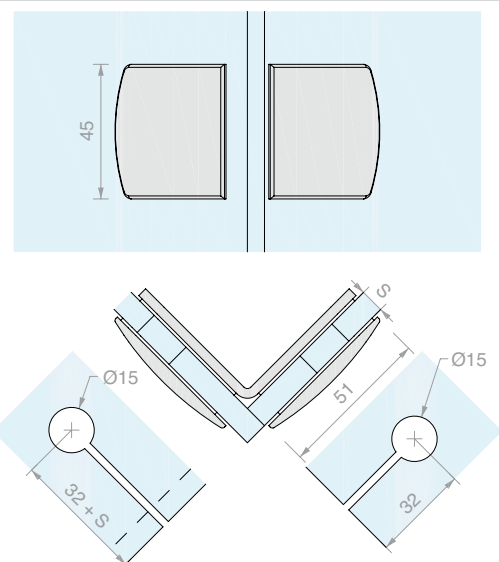


Art.	For glass	Qty
CHDM52	From 6 to 12 mm	1 Pc



GLASS/GLASS 90° CLAMP

Material: Brass
 Invisible screws
 Finish: /1 /24
 Spare plate DQMP2 on page 302

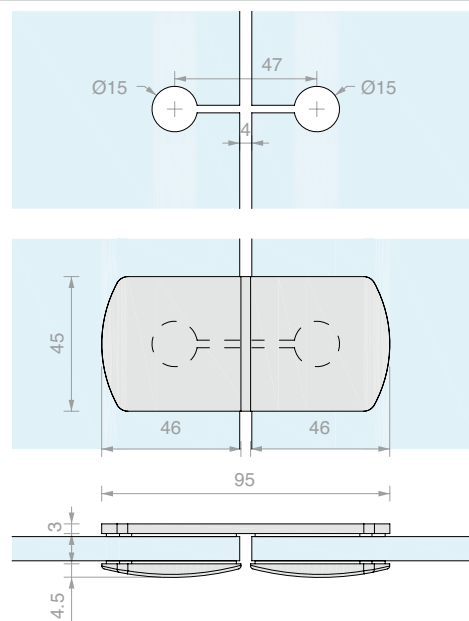


Art.	For glass	Qty
CHDM47	From 6 to 12 mm	1 Pc



GLASS/GLASS IN-LINE CLAMP

Material: Brass
 Invisible screws
 Finish: /1 /24
 Spare plate DQMP2 on page 302



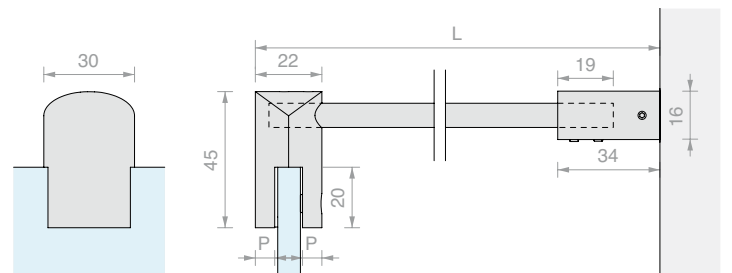
Art.	For glass	Qty
CHDM45	From 6 to 12 mm	1 Pc



FIXED WALL/GLASS STABILIZER BAR

Material: Brass

Finish: /1 /2 /4 /24 /R2



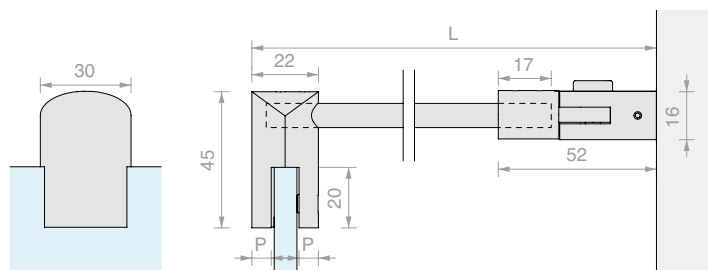
Art.	L	P	For glass	Qty
CHDT500	520 mm	6.5 mm	From 6 to 8 mm	1 Pc
CHDT1000	1020 mm	6.5 mm	From 6 to 8 mm	1 Pc
CHDT1500	1520 mm	6.5 mm	From 6 to 8 mm	1 Pc
CHDT500G	520 mm	4.5 mm	From 10 to 12 mm	1 Pc
CHDT1000G	1020 mm	4.5 mm	From 10 to 12 mm	1 Pc
CHDT1500G	1520 mm	4.5 mm	From 10 to 12 mm	1 Pc



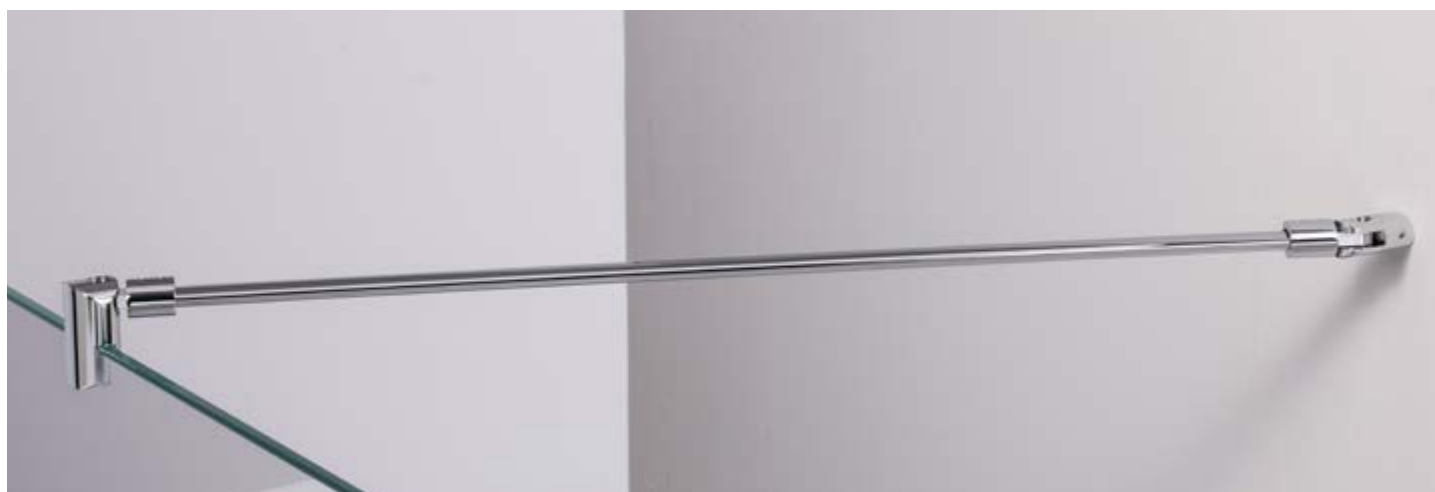
WALL/GLASS STABILIZER BAR WITH WALL JOINT

Material: Brass

Finish: /1 /2 /4 /24 /R2



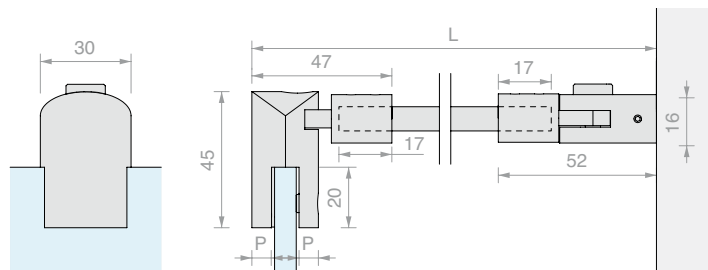
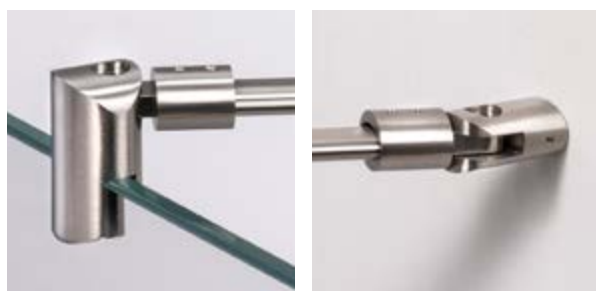
Art.	L	P	For glass	Qty
CHDA500	540 mm	6.5 mm	From 6 to 8 mm	1 Pc
CHDA1000	1040 mm	6.5 mm	From 6 to 8 mm	1 Pc
CHDA1500	1540 mm	6.5 mm	From 6 to 8 mm	1 Pc
CHDA500G	540 mm	4.5 mm	From 10 to 12 mm	1 Pc
CHDA1000G	1040 mm	4.5 mm	From 10 to 12 mm	1 Pc
CHDA1500G	1540 mm	4.5 mm	From 10 to 12 mm	1 Pc



WALL/GLASS STABILIZER BAR WITH DOUBLE JOINT

Material: Brass

Finish: /1 /2 /4 /24 /R2



Art.	L	P	For glass	Qty
CHDA55	564 mm	6.5 mm	From 6 to 8 mm	1 Pc
CHDA65	1064 mm	6.5 mm	From 6 to 8 mm	1 Pc
CHDA75	1564 mm	6.5 mm	From 6 to 8 mm	1 Pc
CHDA55G	564 mm	4.5 mm	From 10 to 12 mm	1 Pc
CHDA65G	1064 mm	4.5 mm	From 10 to 12 mm	1 Pc
CHDA75G	1564 mm	4.5 mm	From 10 to 12 mm	1 Pc

**ELLIPTICAL BAR**

Material: Brass

Finish: /1 /2 /4 /24 /R2

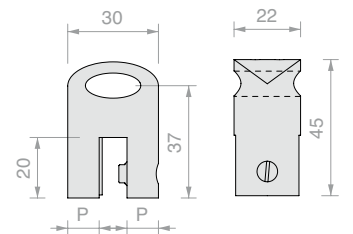


Art.	L	Qty
CHDA05	500 mm	1 Pc
CHDA06	1000 mm	1 Pc
CHDA08	1500 mm	1 Pc

**IN-LINE THROUGH GLASS FIXING**

Material: Brass

Finish: /1 /24

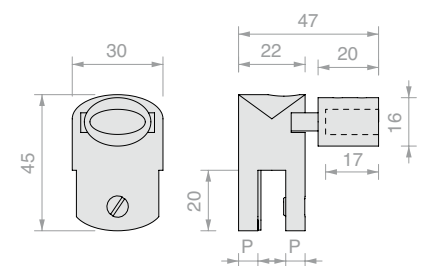


Art.	P	For glass	Qty
CHDA83	6.5 mm	From 6 to 8 mm	1 Pc

**ARTICULATED GLASS FIXING**

Material: Brass

Finish: /1 /2 /4 /24 /R2



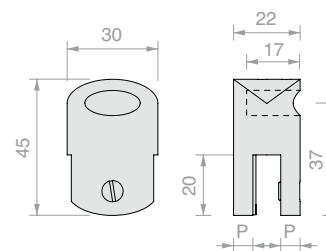
Art.	P	For glass	Qty
CHDA85	6.5 mm	From 6 to 8 mm	1 Pc
CHDA851	4.5 mm	From 10 to 12 mm	1 Pc



CLOSED GLASS FIXING

Material: Brass

Finish: /1 /2 /4 /24 /R2



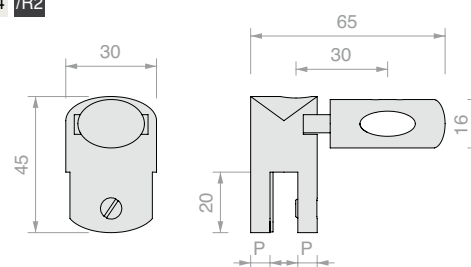
Art.	P	For glass	Qty
CHDA86	6.5 mm	From 6 to 8 mm	1 Pc
CHDA861	4.5 mm	From 10 to 12 mm	1 Pc



ARTICULATED DISTANCED GLASS FIXING

Material: Brass

Finish: /1 /2 /4 /24 /R2



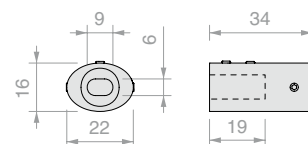
Art.	P	For glass	Qty
CHDA90	6.5 mm	From 6 to 8 mm	1 Pc
CHDA901	4.5 mm	From 10 to 12 mm	1 Pc



WALL FIXING

Material: Brass

Finish: /1 /2 /4 /24 /R2



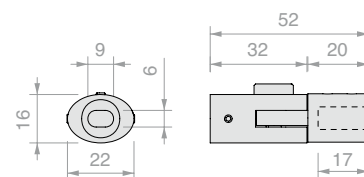
Art.	Qty
CHDA93	1 Pc



ARTICULATED WALL FIXING

Material: Brass

Finish: /1 /2 /4 /24 /R2

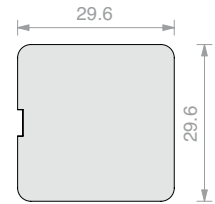


Art.	Qty
CHDA88	1 Pc

**SPARE PLATE DQMP2**

Material: Brass

Finish: /1 /2 /4 /24 /73 /R2

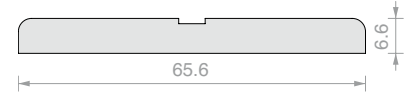


Art.	Qty
DQMP2	1 Pc

SPARE PLATE DQMP9

Material: AISI 304 steel

Finish: /2 /8 /15 /R2

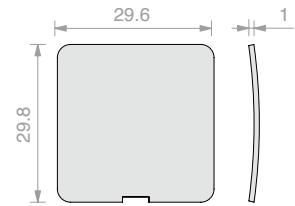


Art.	Qty
DQMP9	1 Pc

SPARE PLATE CHDMP4

Material: Brass

Finish: /1 /2 /4 /24 /R2

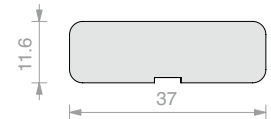


Art.	Qty
CHDMP4	1 Pc

SPARE PLATE CHDMP3

Material: Brass

Finish: /1 /24

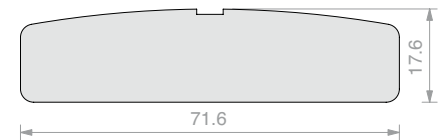


Art.	Qty
CHDMP3	1 Pc

SPARE PLATE CHDMP1

Material: Brass

Finish: /1 /2 /4 /24 /R2

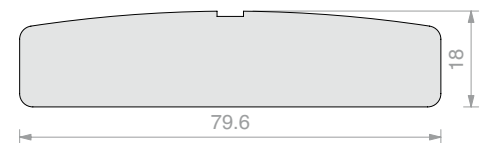


Art.	Qty
CHDMP1	1 Pc

SPARE PLATE CHDMP2

Material: Brass

Finish: /1 /2 /4 /24 /R2



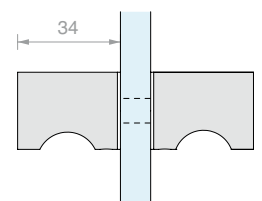
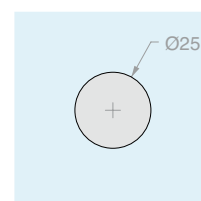
Art.	Qty
CHDMP2	1 Pc

**PAIR OF KNOBS WITH GRIP SP2255**

Material: Brass

Recommended glass hole minimum size Ø8 mm

Finish: /1 /2 /4 /24 /R2



Art.	For glass	Qty
SP2255	From 6 to 12 mm	1 Pc

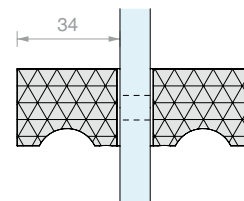
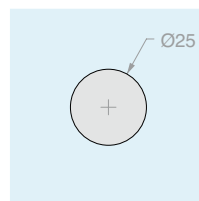


PAIR OF KNURLED KNOBS WITH GRIP SP2255GD

Material: Brass

Recommended glass hole minimum size Ø8 mm

Finish: **/1** /2 /4 /24 /R2



Art.	For glass	Qty
SP2255GD	From 6 to 12 mm	1 Pc

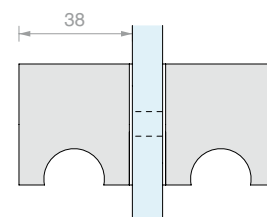
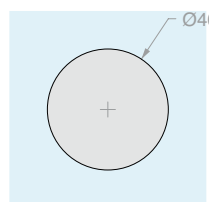


PAIR OF KNOBS WITH GRIP SP255

Material: Brass

Recommended glass hole minimum size Ø8 mm

Finish: **/1** /2 /4 /24 /R2



Art.	For glass	Qty
SP255	From 8 to 14 mm	1 Pc

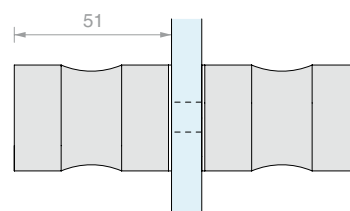
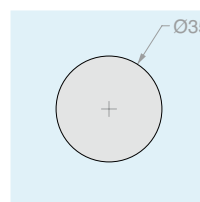


PAIR OF KNOBS WITH GRIP VETCIL35

Material: Brass

Recommended glass hole minimum size Ø10 mm

Finish: **/1** /2 /3

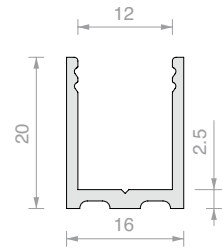


Art.	For glass	Qty
VETCIL35	From 8 to 12 mm	1 Pc

**LMU20B U-SHAPED PROFILE**

Material: Brass

Finish: /1 /2 /4 /24 /R2

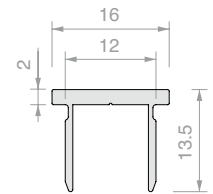


Art.	Length	Qty
LMU20B.150	1498 mm	1 Pc
LMU20B.220	2200 mm	1 Pc
LMU20B.300	3000 mm	1 Pc

**LMU86B FLAT UPPER PROFILE**

Material: Brass

Finish: /1 /2 /4 /24 /R2

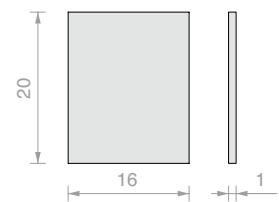


Art.	Length	Qty
LMU86B.100	992 mm	1 Pc
LMU86B.150	1498 mm	1 Pc
LMU86B.300	3000 mm	1 Pc

**FLAT CAP LMUB**

Material: Brass

Finish: /1 /2 /4 /24 /R2

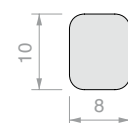


Art.	Qty
LMU20TPB	1 Pc

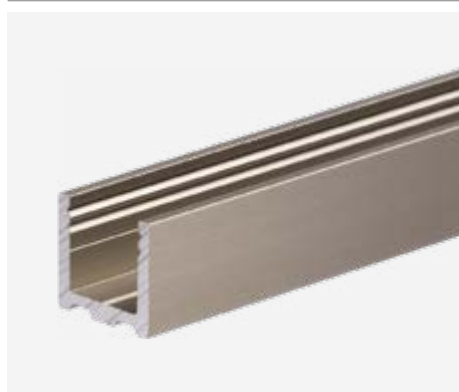
**WATER BARRIER PROFILE PESQ0810B**

Material: Brass

Finish: /1 /2 /4 /24 /R2



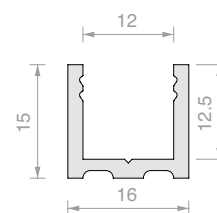
Art.	Length	Qty
PESQ0810B.100	992 mm	1 Pc
PESQ0810B.150	1498 mm	1 Pc
PESQ0810B.300	3000 mm	1 Pc



PBD3183 U-SHAPED PROFILE

Material: Aluminium

Finish: **/6** /88 /91 /97



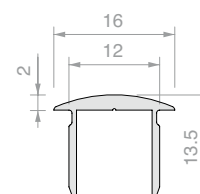
Art.	Length	Qty
PBD3183.150	1498 mm	1 Pc
PBD3183.220	2200 mm	1 Pc
PBD3183	3000 mm	1 Pc



ROUNDED UPPER PROFILE PBD3184

Material: Aluminium

Finish: **/6** /88 /91 /97



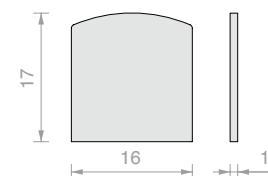
Art.	Length	Qty
PBD3184.100	992 mm	1 Pc
PBD3184.150	1498 mm	1 Pc
PBD3184	3000 mm	1 Pc



ROUNDED CAP PBD

Material: Aluminium

Finish: **/6** /88 /91 /97



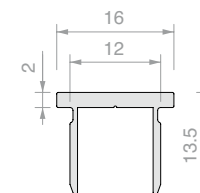
Art.	Qty
PBDTP	1 Pc



FLAT UPPER PROFILE PBD3186

Material: Aluminium

Finish: **/6** /88 /91 /97



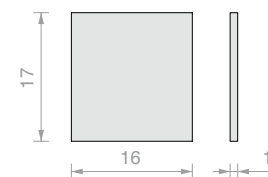
Art.	Length	Qty
PBD3186.100	992 mm	1 Pc
PBD3186.150	1498 mm	1 Pc
PBD3186	3000 mm	1 Pc



PBD FLAT CAP

Material: Aluminium

Finish: **/6** /88 /91 /97

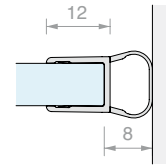


Art.	Qty
PBD86TP	1 Pc

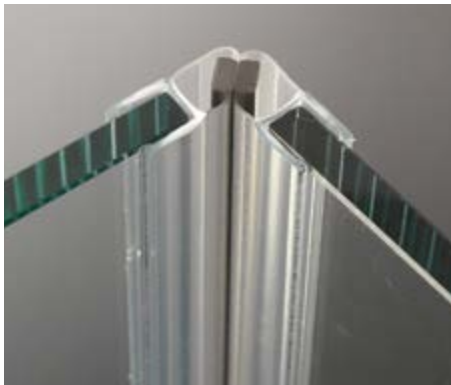


BALLOON GASKET

Material: Co-extruded rigid and soft PVC
 Resistant to UV rays
 Fungicide to prevent mould from forming
 Maximum operating temperature 70°C
 Colour: transparent, transparent balloon

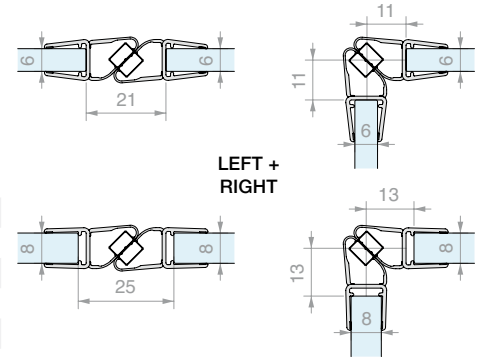


Art.	Length	For glass	Qty
GM62	2200 mm	From 6 to 8 mm	1 Pc
GM6225	2500 mm	From 6 to 8 mm	1 Pc
GM6230	3000 mm	From 6 to 8 mm	1 Pc



MAGNETIC 45° GASKET

Material: Co-extruded rigid and soft PVC
 Maximum operating temperature 70°C
 Colour: transparent, embossed balloon, grey magnet

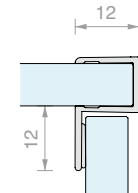


Art.	Length	For glass	Qty
GM12DX20	2000 mm	From 6 to 8 mm	1 Pc
GM12DX22	2200 mm	From 6 to 8 mm	1 Pc
GM12DX25	2500 mm	From 6 to 8 mm	1 Pc
GM12SX20	2000 mm	From 6 to 8 mm	1 Pc
GM12SX22	2200 mm	From 6 to 8 mm	1 Pc
GM12SX25	2500 mm	From 6 to 8 mm	1 Pc

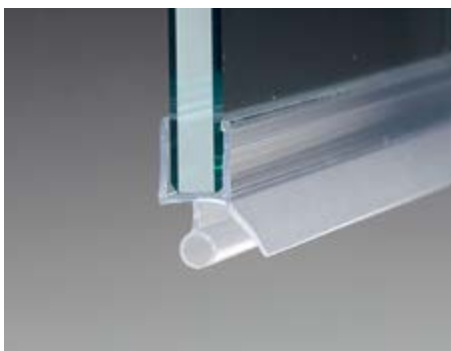


90° STRIKE JAMB GASKET

Material: Co-extruded rigid and soft PVC
 Resistant to UV rays
 Fungicide to prevent mould from forming
 Maximum operating temperature 70°C
 Colour: transparent/*black, embossed lip

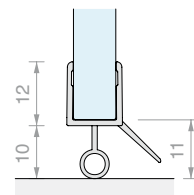


Art.	Length	For glass	Qty
GM58	2200 mm	From 6 to 8 mm	1 Pc
GM58NR*	2200 mm	From 6 to 8 mm	1 Pc
GM5830	3000 mm	From 6 to 8 mm	1 Pc

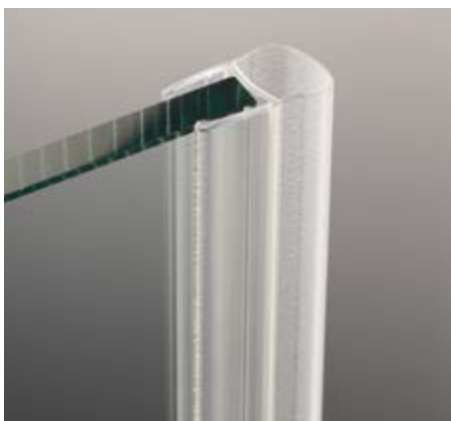


GASKET WITH BALLOON WATER BARRIER AND DRIP FLAP

Material: Co-extruded rigid and soft PVC
 Resistant to UV rays
 Fungicide to prevent mould from forming
 Maximum operating temperature 70°C
 Colour: transparent, embossed lip and balloon

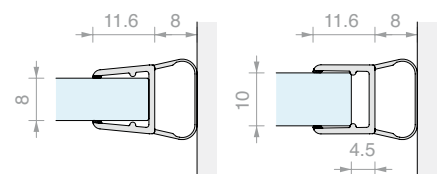


Art.	Length	For glass	Qty
GM6010	1000 mm	From 6 to 8 mm	1 Pc
GM6020	2000 mm	From 6 to 8 mm	1 Pc
GM6025	2500 mm	From 6 to 8 mm	1 Pc
GM6030	3000 mm	From 6 to 8 mm	1 Pc



BALLOON GASKET

Material: Co-extruded rigid and soft PVC
 Resistant to UV rays
 Fungicide to prevent mould from forming
 Colour: transparent/*black, embossed balloon



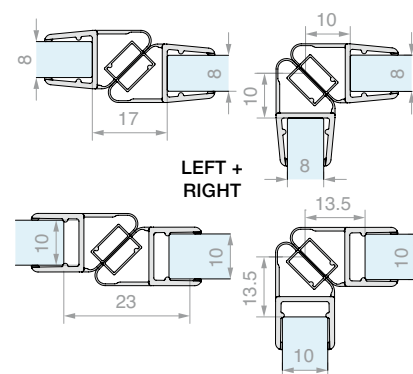
Art.	Length	For glass	Qty
GM06	2000 mm	From 8 to 10 mm	1 Pc
GM0622	2200 mm	From 8 to 10 mm	1 Pc
GM0622NR*	2200 mm	From 8 to 10 mm	1 Pc
GM0625	2500 mm	From 8 to 10 mm	1 Pc
GM0625NR*	2500 mm	From 8 to 10 mm	1 Pc
GM063000	3000 mm	From 8 to 10 mm	1 Pc
GM063000NR*	3000 mm	From 8 to 10 mm	1 Pc



MAGNETIC 45° GASKET

Material: Co-extruded rigid and soft PVC
Resistant to UV rays
Fungicide to prevent mould from forming
Maximum operating temperature 70°C
Colour: transparent/*black, transparent balloon, white/*black magnet

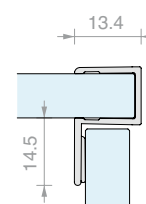
Art.	Length	For glass	Qty
GM1520SX	2200 mm	From 8 to 10 mm	1 Pc
GM1520SXNR*	2200 mm	From 8 to 10 mm	1 Pc
GM1520DX	2200 mm	From 8 to 10 mm	1 Pc
GM1520DXNR*	2200 mm	From 8 to 10 mm	1 Pc
GM15SX	2500 mm	From 8 to 10 mm	1 Pc
GM15DX	2500 mm	From 8 to 10 mm	1 Pc
GM1530SX	3000 mm	From 8 to 10 mm	1 Pc
GM1530DX	3000 mm	From 8 to 10 mm	1 Pc



90° STRIKE JAMB GASKET

Material: Co-extruded rigid and soft PVC
Resistant to UV rays
Fungicide to prevent mould from forming
Maximum operating temperature 70°C
Colour: transparent, embossed lip

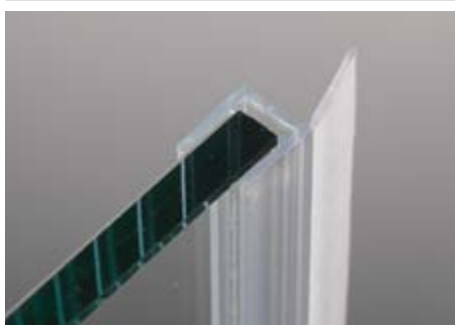
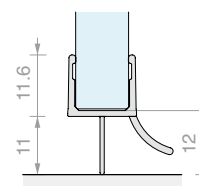
Art.	Length	For glass	Qty
GM5422	2200 mm	From 8 to 10 mm	1 Pc
GM5430	3000 mm	From 8 to 10 mm	1 Pc



GASKET WITH LIP WATER BARRIER AND DRIP FLAP

Material: Co-extruded rigid and soft PVC
Resistant to UV rays
Fungicide to prevent mould from forming
Maximum operating temperature 70°C
Colour: transparent/*black, embossed lip

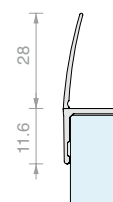
Art.	Length	For glass	Qty
GM0210	1000 mm	From 8 to 10 mm	1 Pc
GM02	2000 mm	From 8 to 10 mm	1 Pc
GM02NR*	2000 mm	From 8 to 10 mm	1 Pc
GM022500	2500 mm	From 8 to 10 mm	1 Pc
GM022500NR*	2500 mm	From 8 to 10 mm	1 Pc



GASKET WITH STRAIGHT LIP

Material: Co-extruded rigid and soft PVC
Fungicide to prevent mould from forming
Colour: transparent, embossed lip

Art.	Length	For glass	Qty
GM04	2000 mm	From 8 to 10 mm	1 Pc
GM0422	2200 mm	From 8 to 10 mm	1 Pc
GM0425	2500 mm	From 8 to 10 mm	1 Pc
GM0430	3000 mm	From 8 to 10 mm	1 Pc



GLASS HOLDER GASKET

Material: PVC

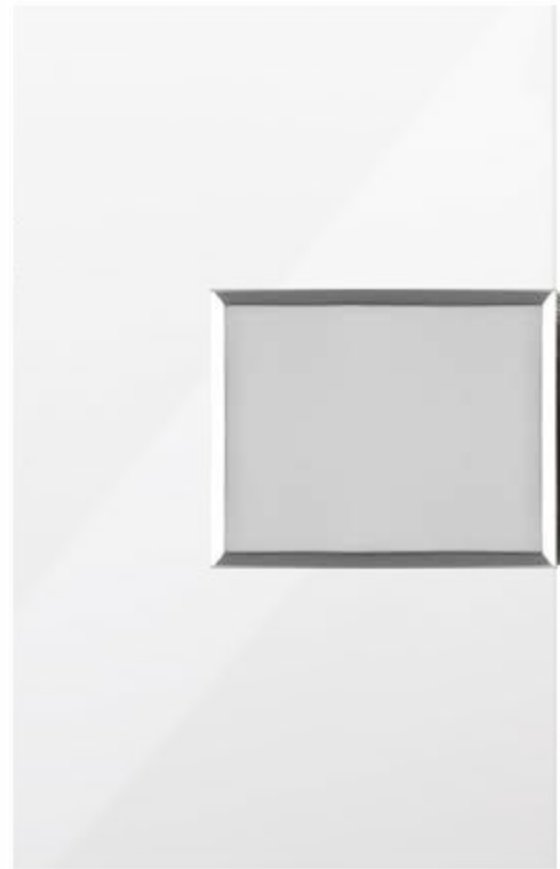
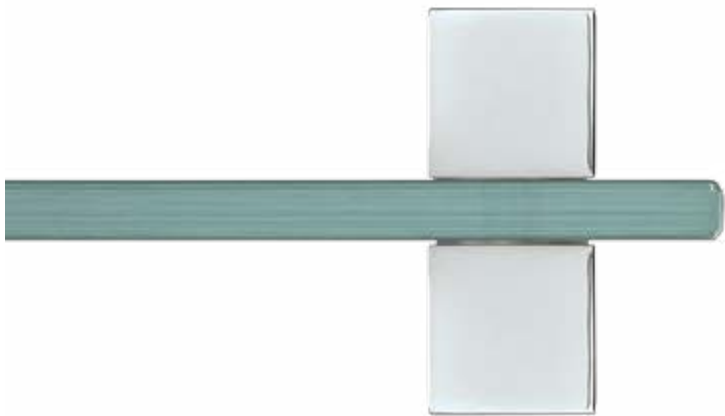
Art.	Thickness	Colour	Qty	Art.	Thickness	Colour	Qty
GTUP2	2	Transparent	1 m	GTUP5G	5	Embossed	1 m
GTUP3	3	Transparent	1 m	GTUP6G	6	Embossed	1 m
GTUP4	4	Transparent	1 m	GTUP2N	2	Black	1 m
GTUP5	5	Transparent	1 m	GTUP3N	3	Black	1 m
GTUP6	6	Transparent	1 m	GTUP4N	4	Black	1 m
GTUP2G	2	Embossed	1 m	GTUP5N	5	Black	1 m
GTUP3G	3	Embossed	1 m	GTUP6N	6	Black	1 m
GTUP4G	4	Embossed	1 m				

CER

Design

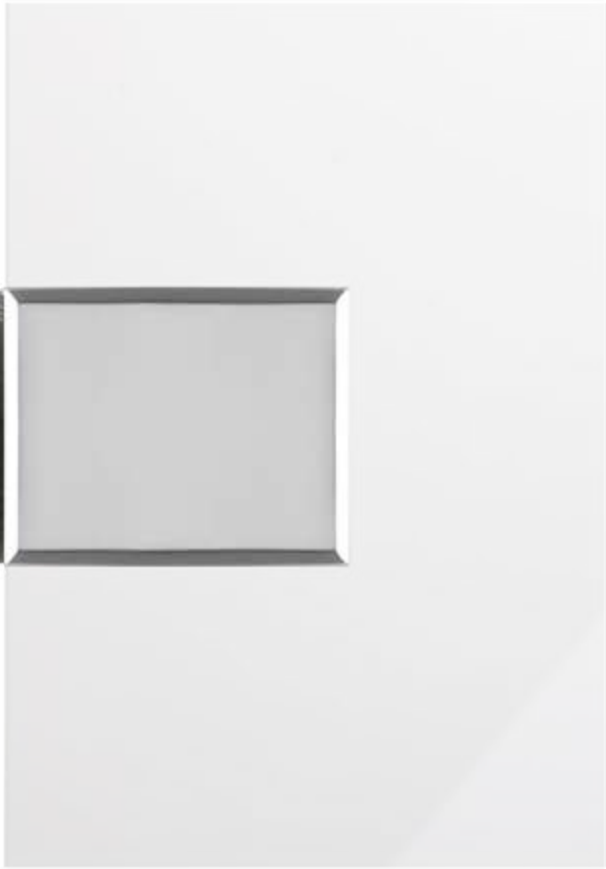
The classic that never goes out of style.
The CER series guarantees familiarity and the security of a tested product that is always up to date.

The CER line also provides wide opportunities for customisation with the various available finishes.
Adapting to glass from 6 to 10 mm thick, the range covers complete standard systems and allows for customisation due to the different combinations of hinges, clamps and knobs.





/1
Chrome



CER

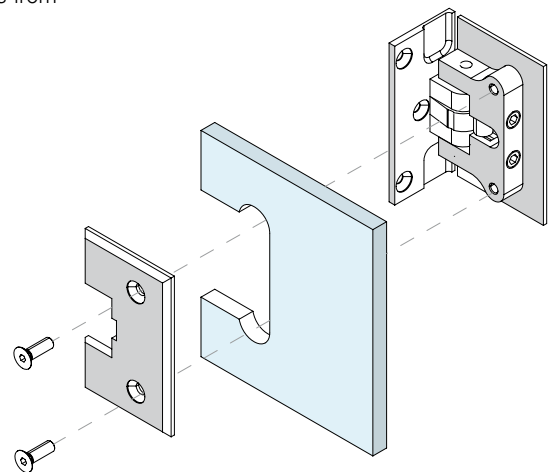
CER Hinges

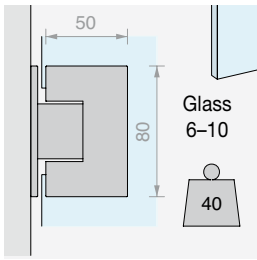
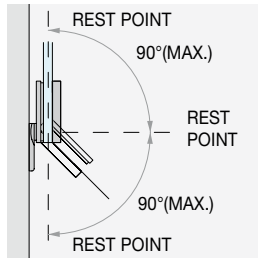
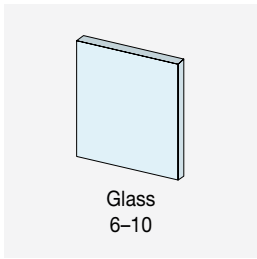
CER hinges are the functional heart of the CER SERIES.

They are produced from brass bars. The accessories are made of AISI 304, while the brass joints coated internally with a self-lubricating plastic material, leading to greater durability.



Additional die-cut PVC seals for mounting glass with thickness from 6 to 10 mm.

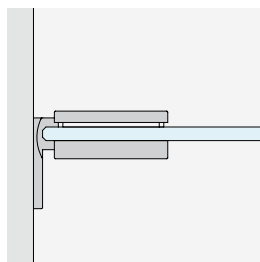




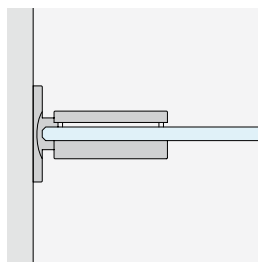
ANGLE OF ROTATION
 Angle of rotation from +90° to -90°. With rest point at 0° and stops at -90° and +90°.

VERSION FOR GLASS WITH THICKNESS FROM 6 TO 10 mm

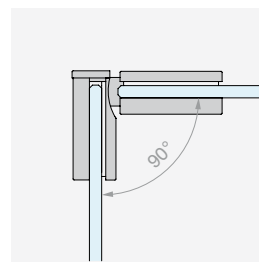
With a single model, doors with thickness from 6 to 10 mm can be made



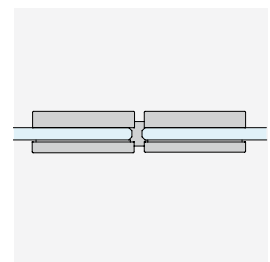
WALL/GLASS
with side plate



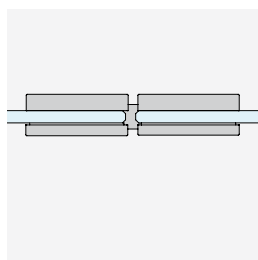
WALL/GLASS
with central plate



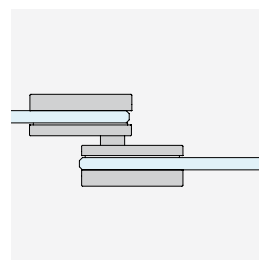
GLASS/GLASS
90° corner



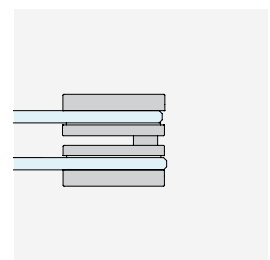
GLASS/GLASS
in-line



GLASS/GLASS SAFETY
in-line



GLASS/GLASS
overlapping in-line

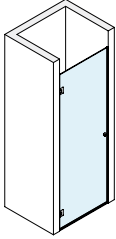


GLASS/GLASS FREE
folding in-line

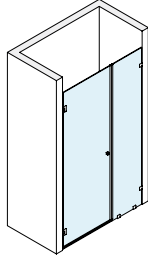


CER *Kits*

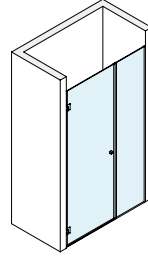
CONFIGURATIONS WITH HINGED DOORS



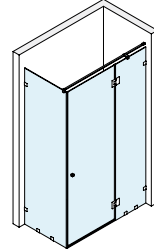
Page 314



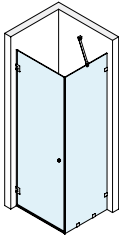
Page 316



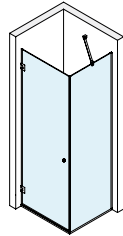
Page 318



Page 320

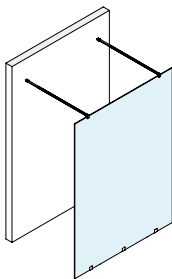


Page 322

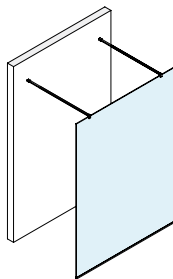


Page 324

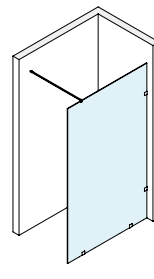
WALK-IN CONFIGURATIONS



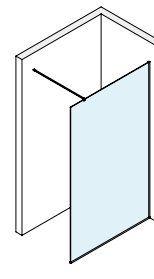
Page 327



Page 329



Page 331

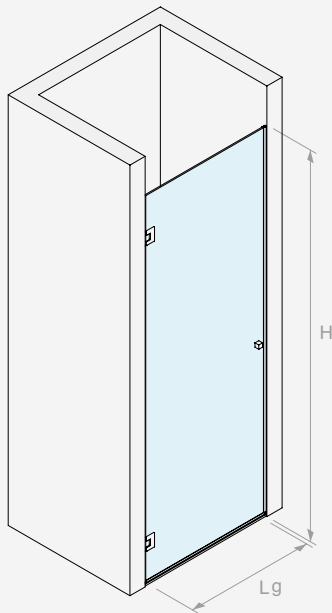
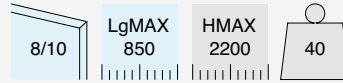


Page 333



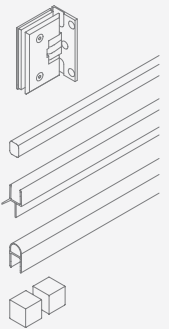
WALL/WALL HINGED SHOWER KIT

Finish: /1



Kit comprising:

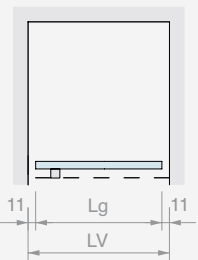
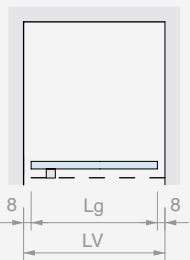
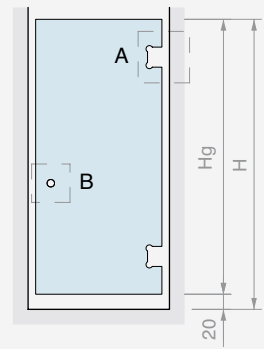
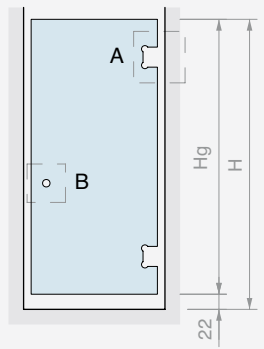
Art.	Description	Qty.
CER26	Side hinge	2 Pcs
PESQ0810B.100	Water barrier profile	1 Pc
GM0210	Gasket with drip flap	1 Pc
GM0622	Balloon gasket	2 Pcs
DQP2525	Pair of knobs	1 Pc



Art.	Qty
BDCER81001	1 Pc

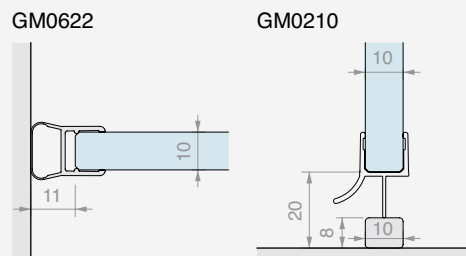
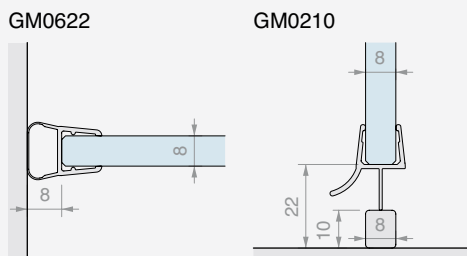
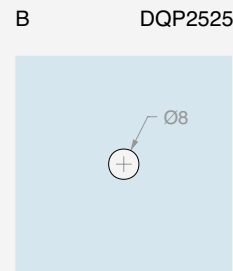
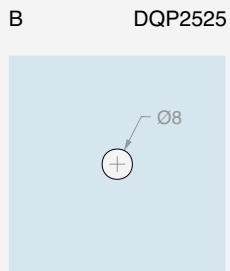
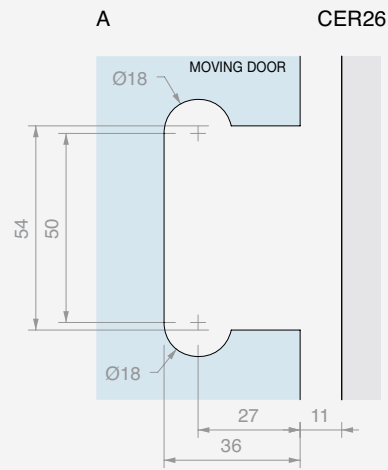
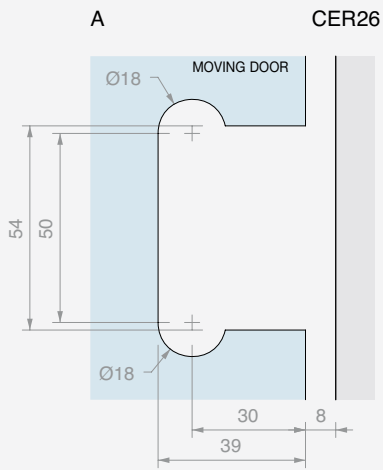
GLASS PANE DIMENSIONS

BDCER81001



$H_g = H - 22$
 $L_g (\text{MAX } 850) = LV - 16$

$H_g = H - 20$
 $L_g (\text{MAX } 850) = LV - 23$

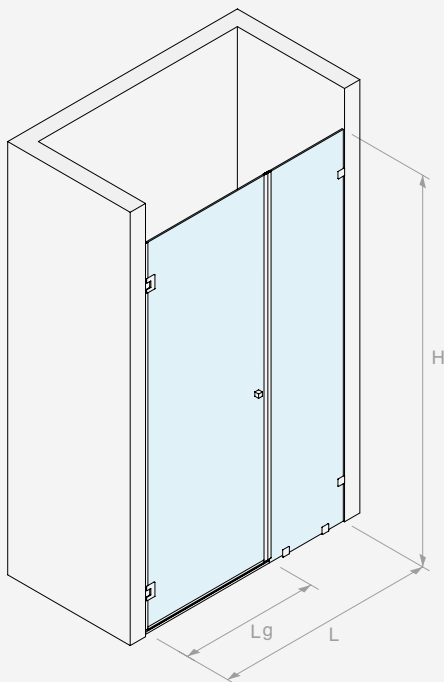




WALL/WALL HINGED SHOWER KIT WITH FIXED PANE AND CLAMPS

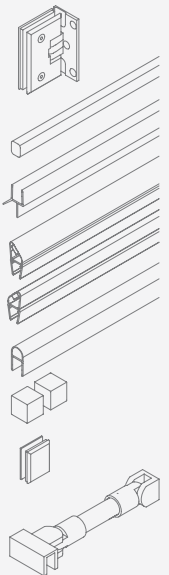
Finish: /1

8/10	LgMAX 850	LMAX 1450	HMAX 2200	40
------	--------------	--------------	--------------	----



Kit comprising:

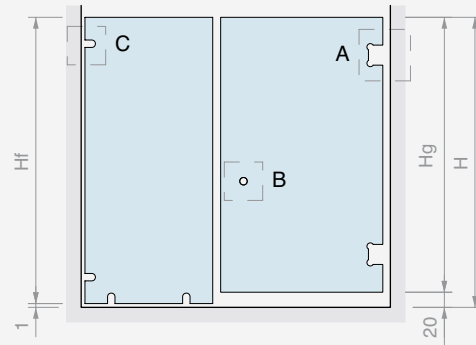
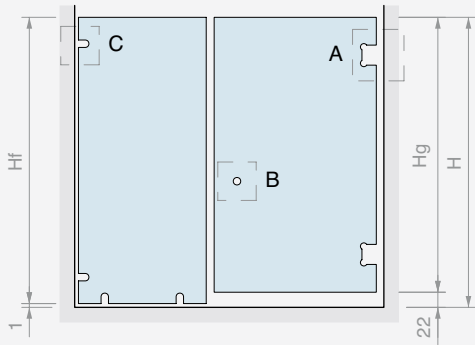
Art.	Description	Qty.
CER26	Side hinge	2 Pcs
PESQ0810B.100	Water barrier profile	1 Pc
GM0210	Gasket with drip flap	1 Pc
GM1520SX	Magnetic 45° gasket	1 Pc
GM1520DX	Magnetic 45° gasket	1 Pc
GM0622	Balloon gasket	1 Pc
DQP2525	Pair of knobs	1 Pc
MORS001	Clamp flush to the wall	4 Pcs
Optional		
MF1515	Jointed stabilizer bar	1 Pc



Art.	Qty
BDCER81003	1 Pc

GLASS PANE DIMENSIONS

BDCER81003

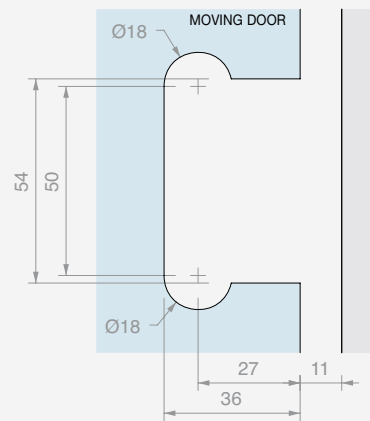
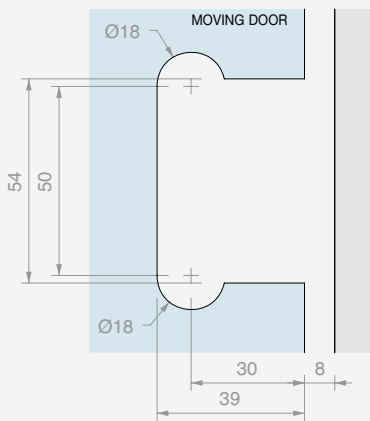


$H_f = H - 1$
 $H_g = H - 22$
 $L_g \text{ MAX } 850$
 $L_f \text{ (MAX } 800) =$
 $LV - L_g - 26$

$H_f = H - 1$
 $H_g = H - 20$
 $L_g \text{ MAX } 850$
 $L_f \text{ (MAX } 800) =$
 $LV - L_g - 35$

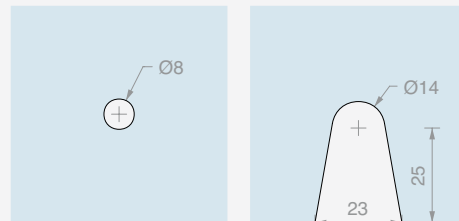
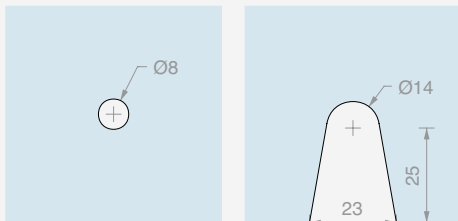
A CER26

A CER26



B DQP2525 C MORS001

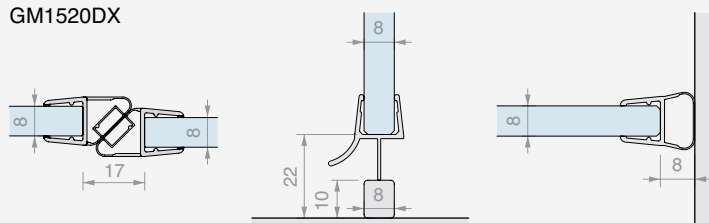
B DQP2525 C MORS001



GM1520SX
GM1520DX

GM0210

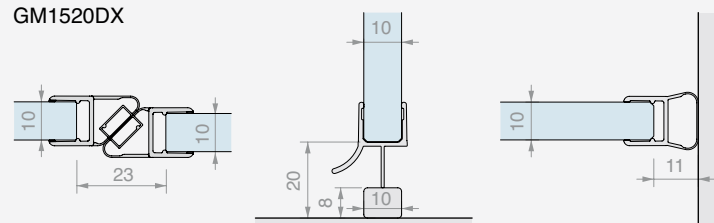
GM0622



GM1520SX
GM1520DX

GM0210

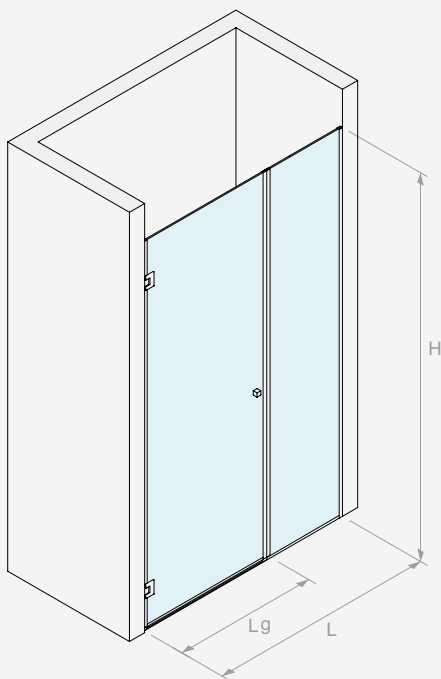
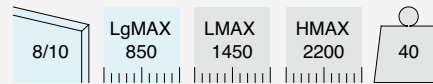
GM0622





WALL/WALL HINGED SHOWER KIT WITH FIXED PANE AND PROFILES

Finish: /1



Kit comprising:

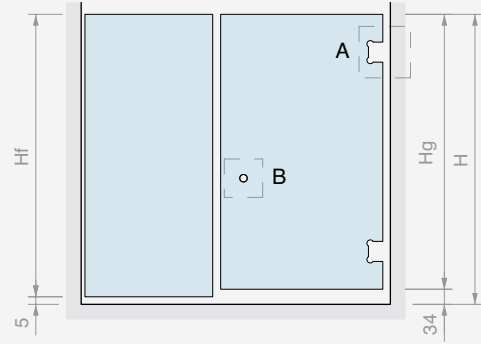
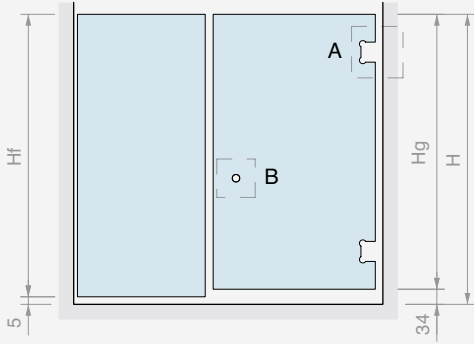
Art.	Description	Qty.
CER26	Side hinge	2 Pcs
LMU20B.220	U-shaped profile	1 Pc
LMU20B.150	U-shaped profile	1 Pc
LMU86B.100	Flat upper profile	1 Pc
GTUP4	Glass holder gasket	4 m
GTUP2	Glass holder gasket	4 m
GM0210	Gasket with drip flap	1 Pc
GM1520SX	Magnetic 45° gasket	1 Pc
GM1520DX	Magnetic 45° gasket	1 Pc
GM0622	Balloon gasket	1 Pc
DQP2525	Pair of knobs	1 Pc

Optional	Description	Qty.
MF1515	Jointed stabilizer bar	1 Pc

Art.	Qty.
BDCER81005	1 Pc

GLASS PANE DIMENSIONS

BDCER81005

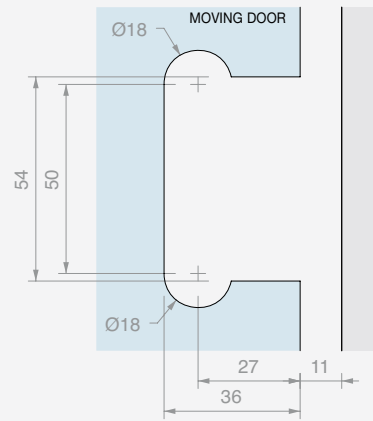
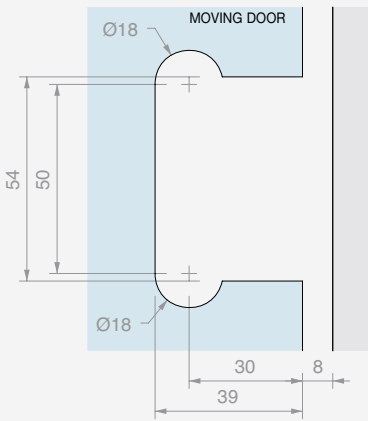


Hf = H - 5
 Hg = H - 34
 Lg MAX 850
 Lf (MAX 600) = 5 + Lf + 17 + Lg + 8
 LV = Lg - 30

Hf = H - 5
 Hg = H - 34
 Lg MAX 850
 Lf (MAX 600) = 5 + Lf + 23 + Lg + 11
 LV = Lg - 39

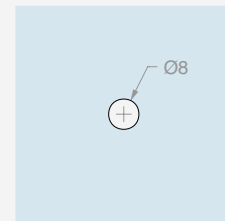
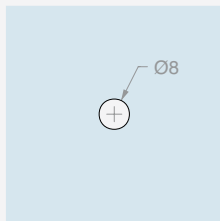
A CER26

A CER26



B DQP2525

B DQP2525



GM1520SX
 GM1520DX

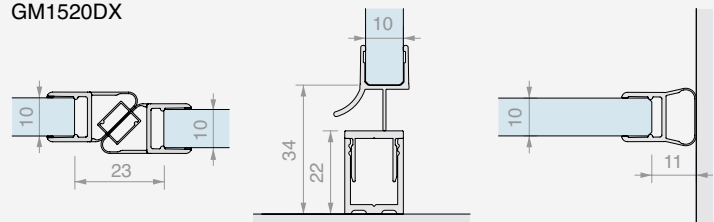
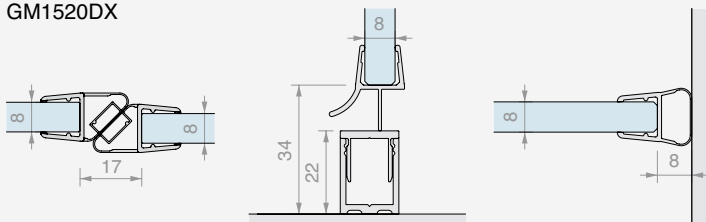
GM0210

GM0622

GM1520SX
 GM1520DX

GM0210

GM0622

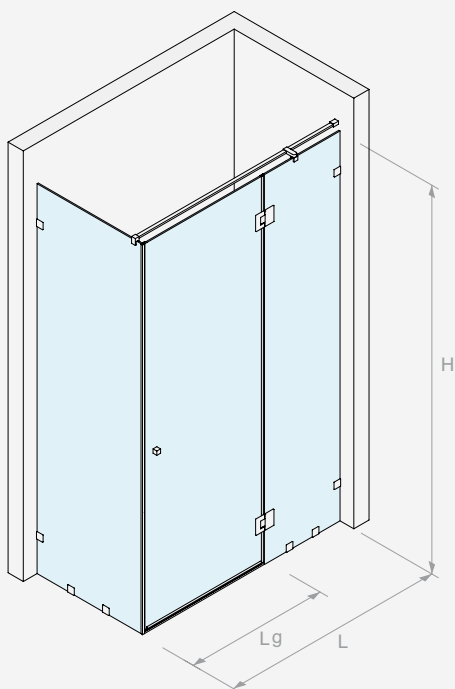




WALL/GLASS HINGED SHOWER KIT WITH FIXED PANE AND CLAMPS

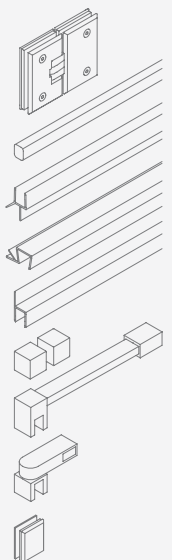
Finish: /1

8/10	LgMAX 850	LMAX 1200	HMAX 2200	40
------	--------------	--------------	--------------	----



Kit comprising:

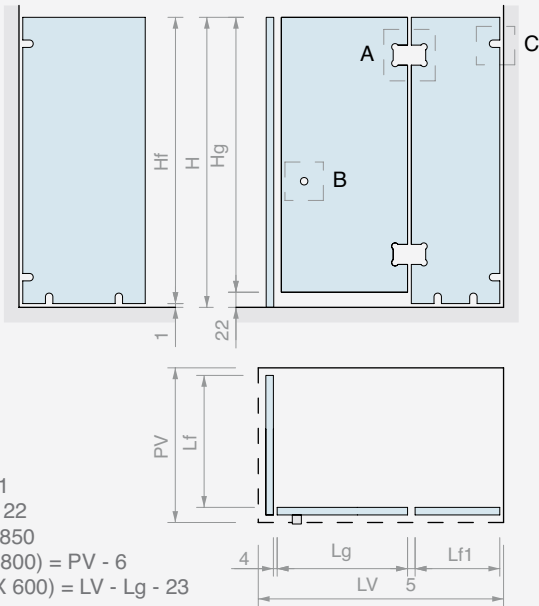
Art.	Description	Qty.
CER29	Side hinge	2 Pcs
PESQ0810B.100	Water barrier profile	1 Pc
GM0210	Gasket with drip flap	1 Pc
GM5422	90° strike jamb gasket	1 Pc
GM0422	Gasket with lip	1 Pc
DQP2525	Pair of knobs	1 Pc
DQT1500	Fixed stabilizer bar	1 Pc
DQA90	Distanced glass fixing	1 Pc
MORS001	Clamp flush to the wall	8 Pcs



Art.	Qty
BDCER81007	1 Pc

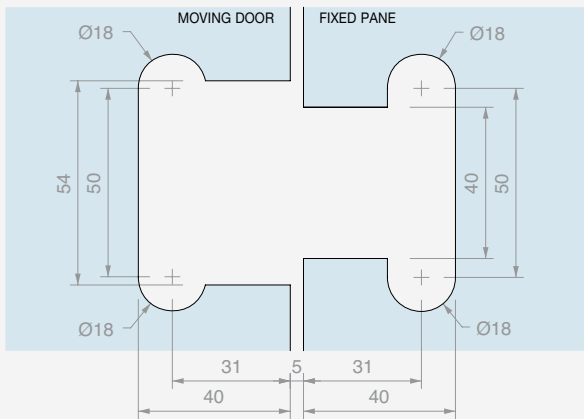
GLASS PANE DIMENSIONS

BDCER81007

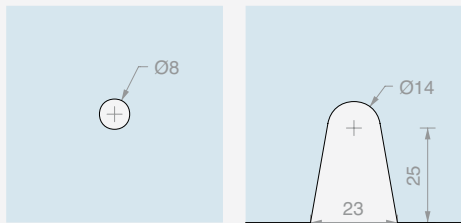


Hf = H - 1
 Hg = H - 22
 Lg MAX 850
 Lf (MAX 800) = PV - 6
 Lf1 (MAX 600) = LV - Lg - 23

A CER29



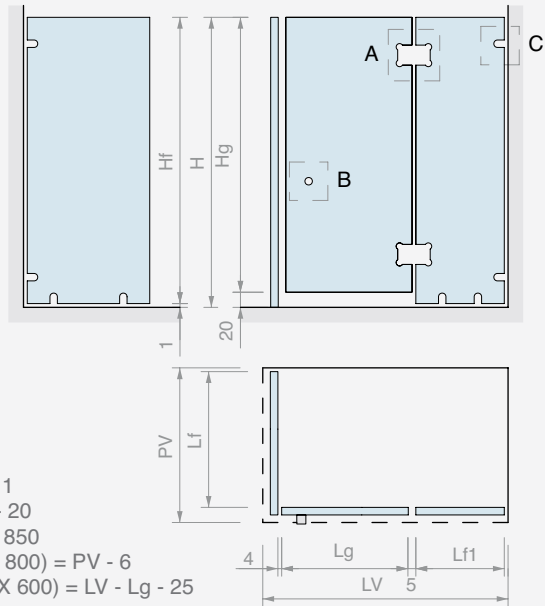
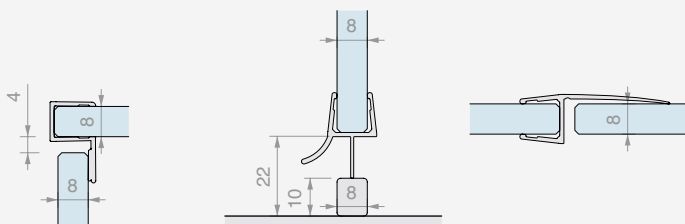
B DQP2525 C MORS001



GM5422

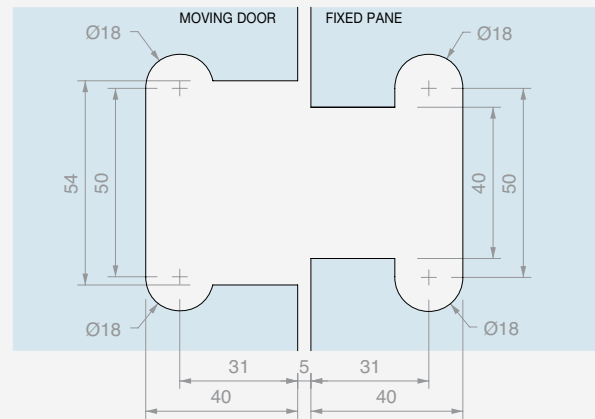
GM0210

GM0422

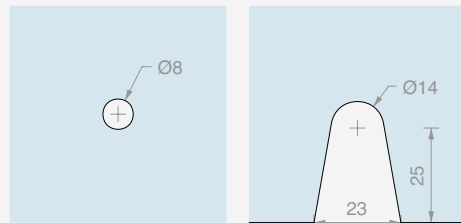


Hf = H - 1
 Hg = H - 20
 Lg MAX 850
 Lf (MAX 800) = PV - 6
 Lf1 (MAX 600) = LV - Lg - 25

A CER29



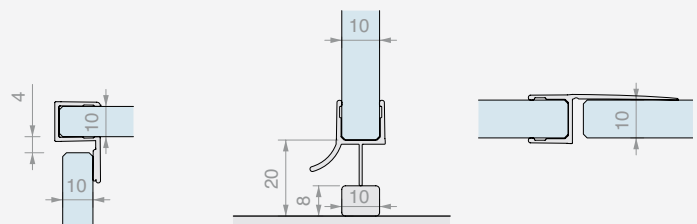
B DQP2525 C MORS001



GM5422

GM0210

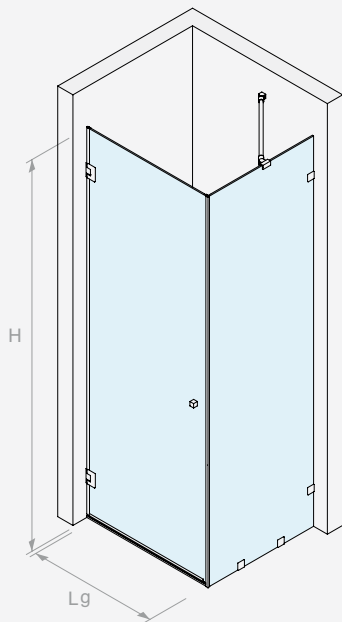
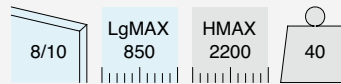
GM0422





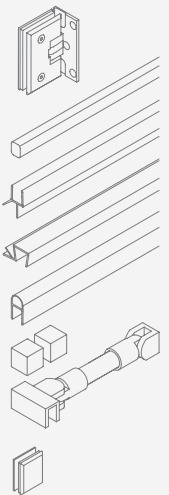
**WALL/WALL CORNER HINGED
SHOWER KIT WITH FIXED PANE AND CLAMPS**

Finish: /1



Kit comprising:

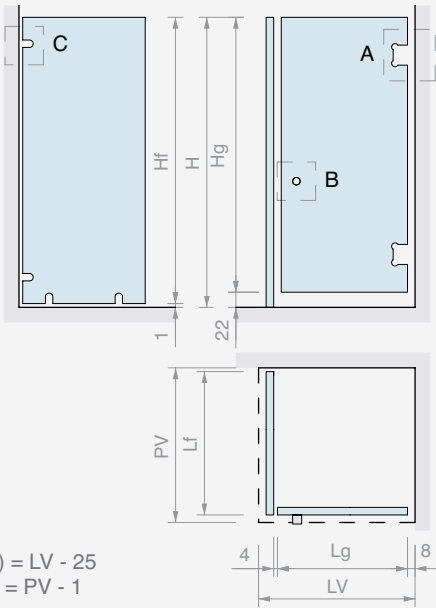
Art.	Description	Qty.
CER26	Side hinge	2 Pcs
PESQ0810B.100	Water barrier profile	1 Pc
GM0210	Gasket with drip flap	1 Pc
GM5422	90° strike jamb gasket	1 Pc
GM0622	Balloon gasket	1 Pc
DQP2525	Pair of knobs	1 Pc
MF1515	Jointed stabilizer bar	1 Pc
MORS001	Clamp flush to the wall	4 Pcs



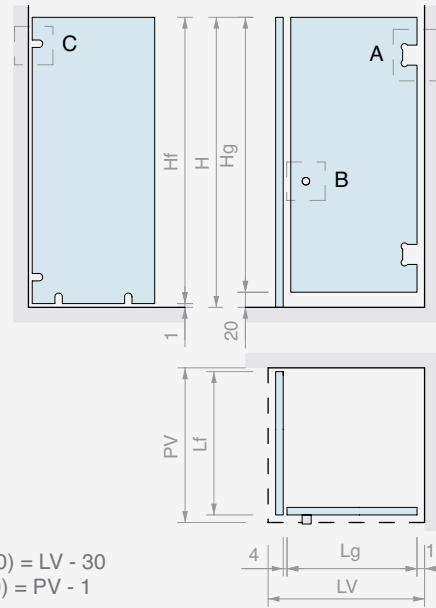
Art.	Qty
BDCER81013	1 Pc

GLASS PANE DIMENSIONS

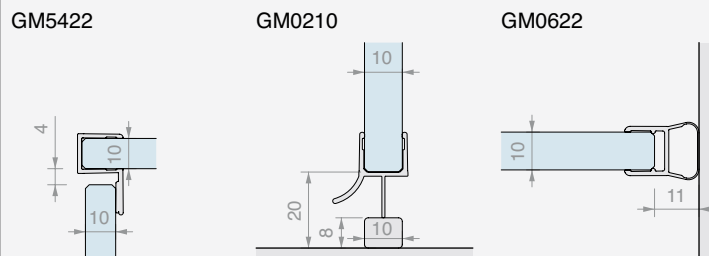
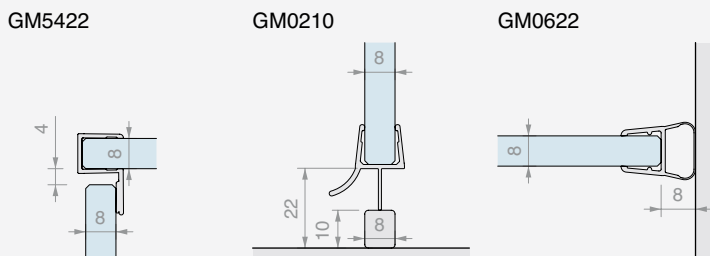
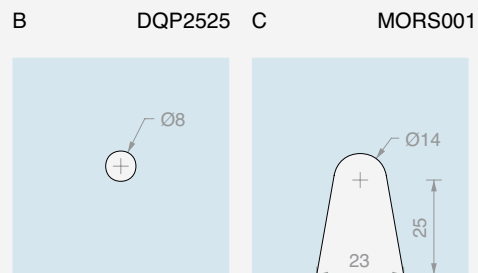
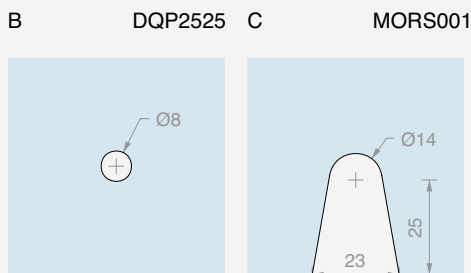
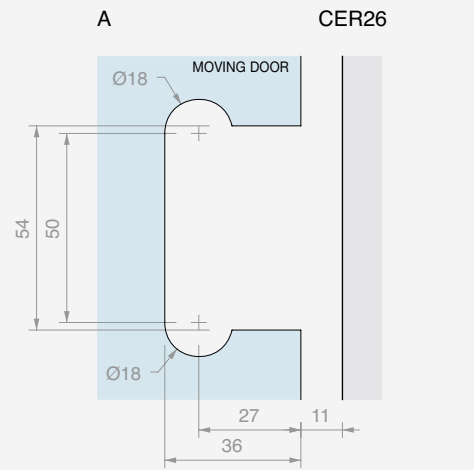
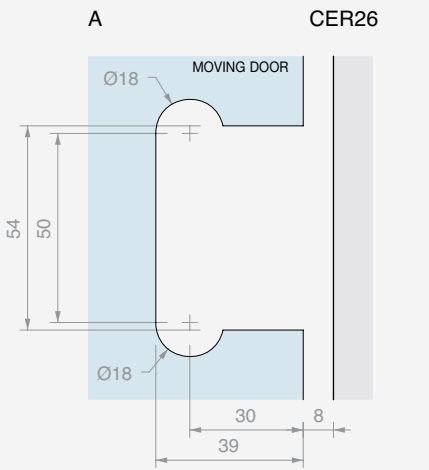
BDCER81013



Hf = H - 1
 Hg = H - 22
 Lg (MAX 900) = LV - 25
 Lf (MAX 800) = PV - 1



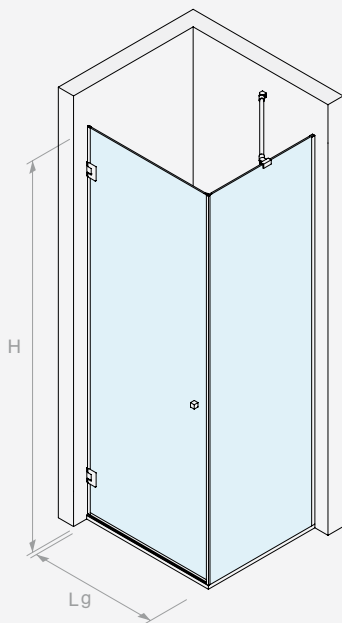
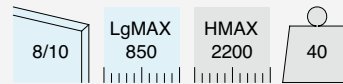
Hf = H - 1
 Hg = H - 20
 Lg (MAX 900) = LV - 30
 Lf (MAX 800) = PV - 1





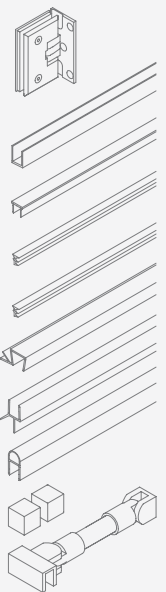
**WALL/WALL CORNER HINGED
SHOWER KIT WITH FIXED PANE AND PROFILES**

Finish: /1



Kit comprising:

Art.	Description	Qty.
CER26	Side hinge	2 Pcs
LMU20B.220	U-shaped profile	2 Pcs
LMU86B.100	Flat upper profile	1 Pc
GTUP4	Glass holder gasket	4 m
GTUP2	Glass holder gasket	4 m
GM5422	90° strike jamb gasket	1 Pc
GM0210	Gasket with drip flap	1 Pc
GM0622	Balloon gasket	1 Pc
DQP2525	Pair of knobs	1 Pc
MF1515	Jointed stabilizer bar	1 Pc

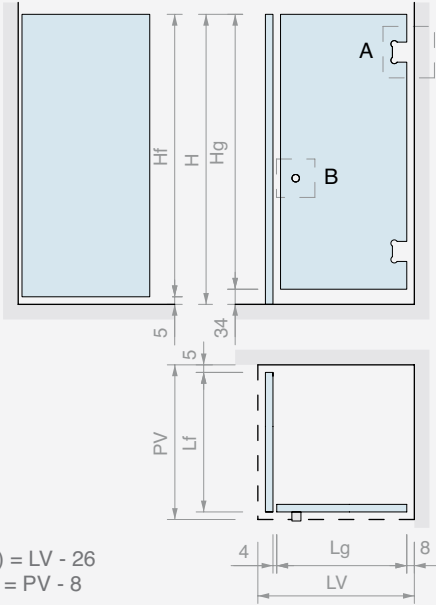


Art.	Qty
BDCER81015	1 Pc

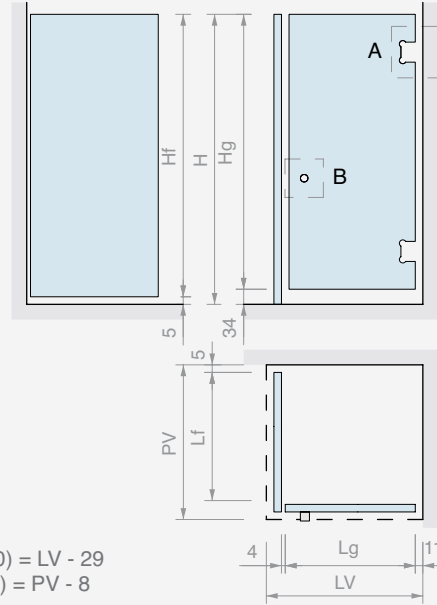


GLASS PANE DIMENSIONS

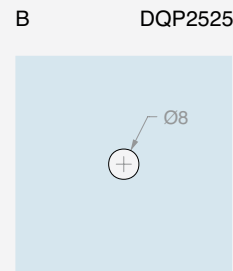
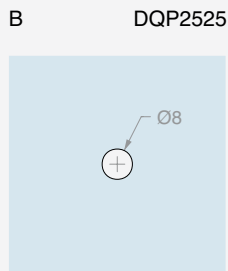
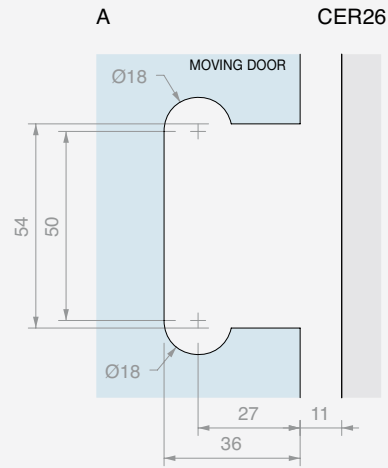
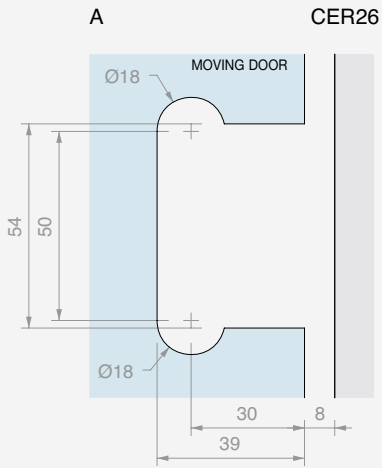
BDCER81015



$H_f = H - 5$
 $H_g = H - 34$
 $L_g \text{ (MAX 900)} = LV - 26$
 $L_f \text{ (MAX 800)} = PV - 8$



$H_f = H - 5$
 $H_g = H - 34$
 $L_g \text{ (MAX 900)} = LV - 29$
 $L_f \text{ (MAX 800)} = PV - 8$



GM5422

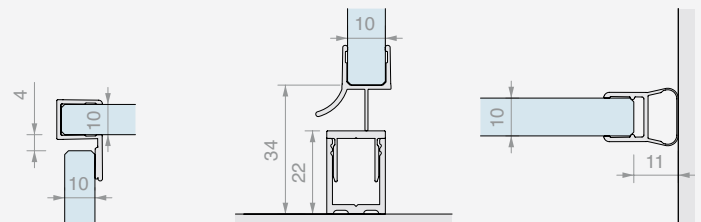
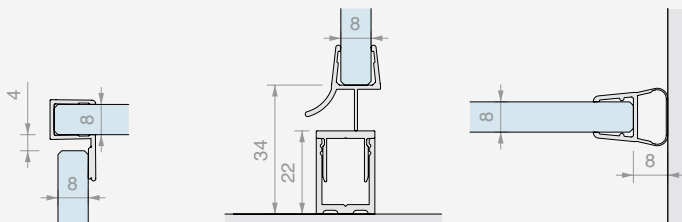
GM0210

GM0622

GM5422

GM0210

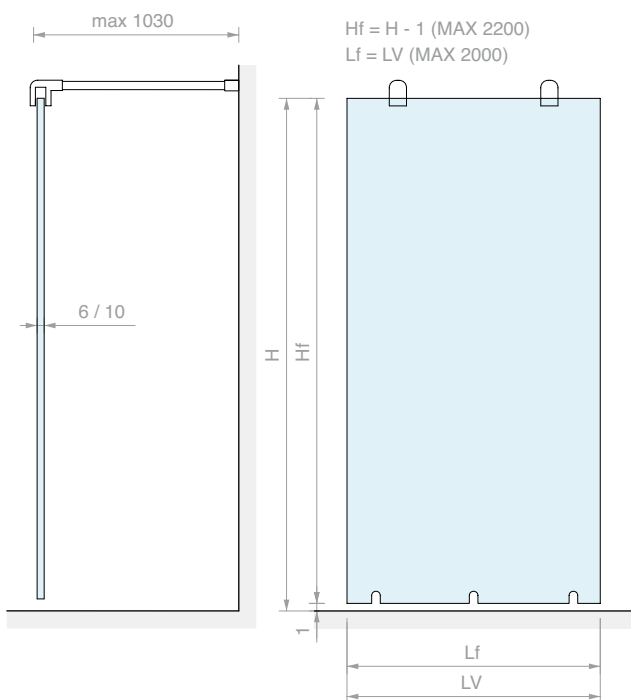
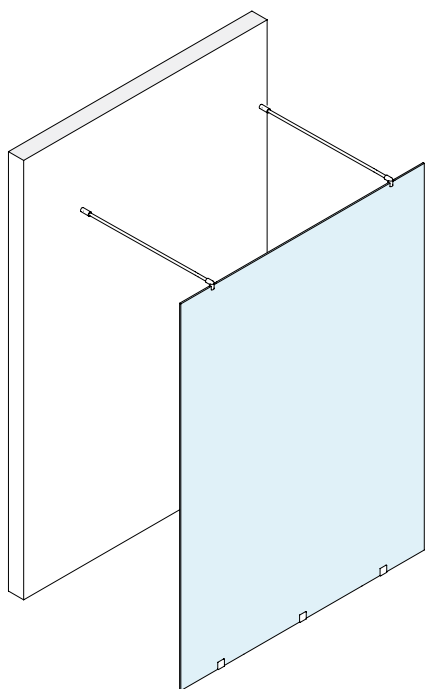
GM0622





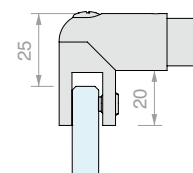
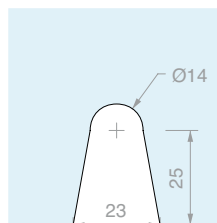
**TWO-SIDE WALK-IN
SHOWER KIT WITH CLAMPS**

Finish: /1



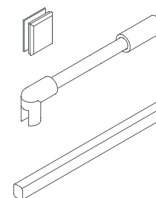
MORS001

MF127



Kit comprising:

Art.	Description	Qty.
MORS001	Clamp flush to the wall	3 Pcs
MF127	Fixed stabilizer bar	2 Pcs
Optional		
PESQ0810B.150	Water barrier profile	2 Pcs

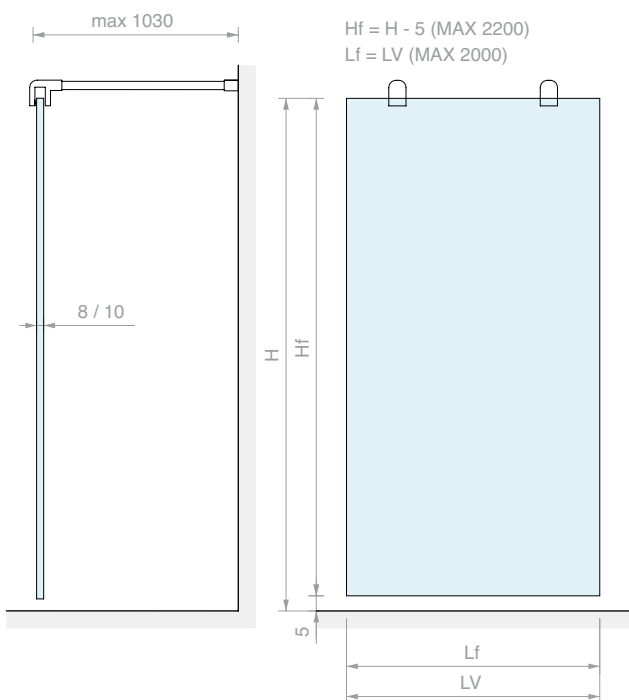
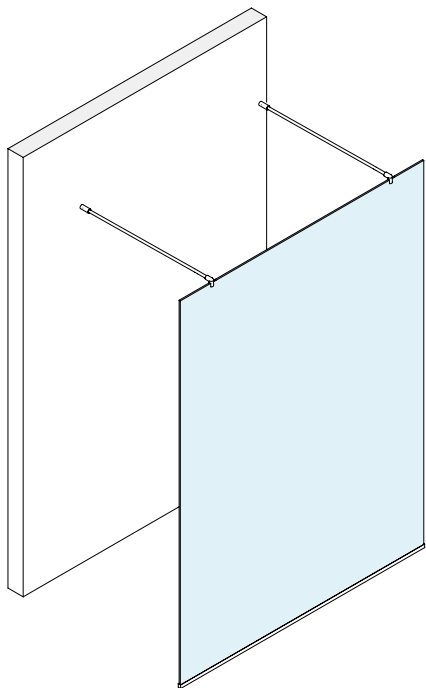


Art.	For glass	Qty
OPEN03MORS	From 6 to 10 mm	1 Pc



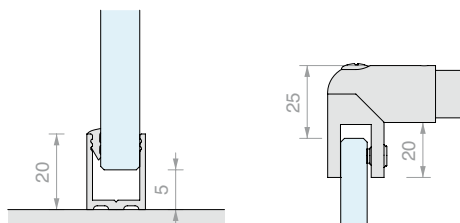
**TWO-SIDE WALK-IN
SHOWER KIT WITH PROFILES**

Finish: /1



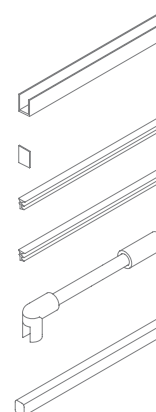
LMU20B.220

MF127



Kit comprising:

Art.	Description	Qty.
LMU20B.220	U-shaped profile	1 Pc
LMU20TPB	Flat cap	2 Pcs
GTUP2	Glass holder gasket	2 m
GTUP4	Glass holder gasket	2 m
MF127	Fixed stabilizer bar	2 Pcs
Optional		
PESQ0810B.150	Water barrier profile	2 Pcs

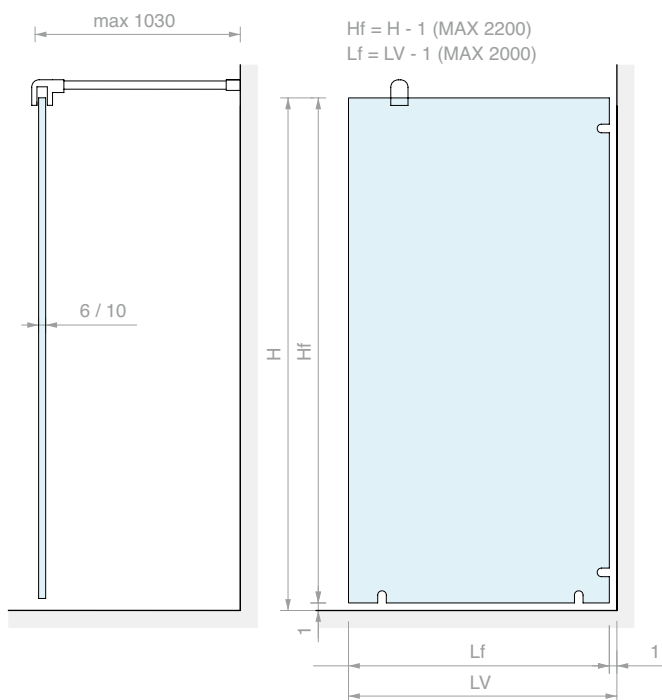
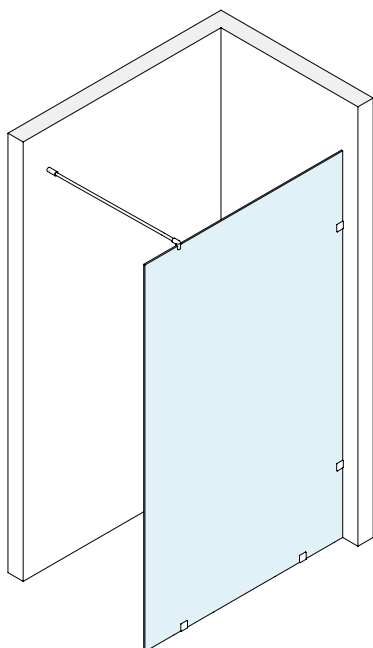


Art.	For glass	Qty
OPEN03LMUMF	From 8 to 10 mm	1 Pc



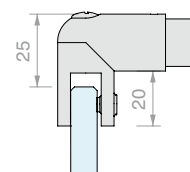
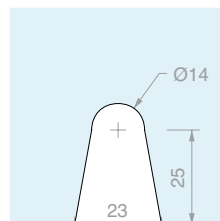
WALK-IN SHOWER KIT WITH CLAMPS

Finish: /1



MORS001

MF127



Kit comprising:

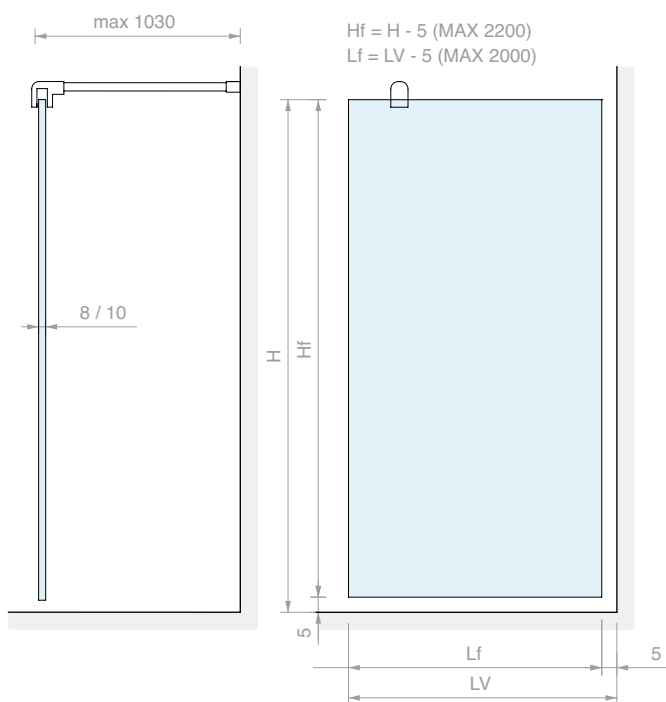
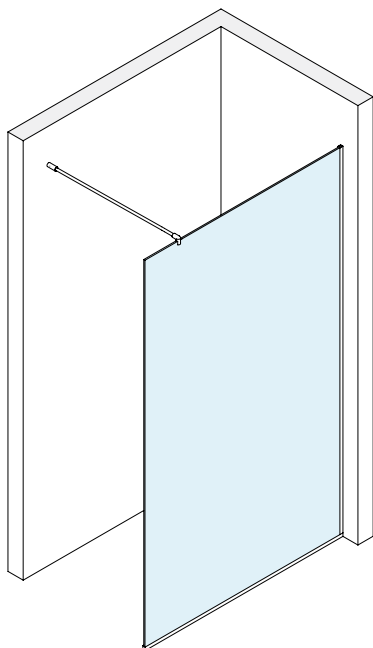
Art.	Description	Qty.
MORS001	Clamp flush to the wall	4 Pcs
MF127	Fixed stabilizer bar	1 Pc
Optional		
PESQ0810B.150	Water barrier profile	1 Pc

Art.	For glass	Qty
OPEN01MORS	From 6 to 10 mm	1 Pc



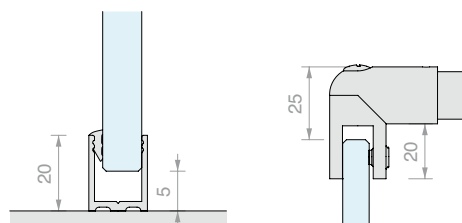
WALK-IN SHOWER KIT WITH PROFILES

Finish: /1



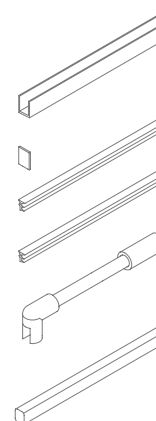
LMU20B.220

MF127



Kit comprising:

Art.	Description	Qty.
LMU20B.220	U-shaped profile	2 Pcs
LMU20TPB	Flat cap	1 Pc
GTUP2	Glass holder gasket	5 m
GTUP4	Glass holder gasket	5 m
MF127	Fixed stabilizer bar	1 Pc
Optional		
PESQ0810B.150	Water barrier profile	1 Pc






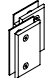



Art.	For glass	Qty
OPEN01LMUMF	From 8 to 10 mm	1 Pc




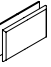
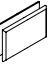
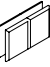



TABLE OF CER SERIES ACCESSORIES

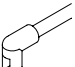
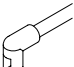
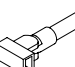
Hinges for glass thickness from **6 to 10 mm**

						
CER26 Page 336	CER27 Page 337	CER28 Page 338	CER29 Page 339	CER31 Page 341	CER32 Page 342	CER33 Page 343




Clamps for glass thickness from **6 to 10 mm**

						
MORS001 Page 344	MORS002 Page 344	MORS0023 Page 344	MORS003 Page 344	MORS003 Page 345	MORS004 Page 345	MORS005 Page 345


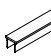

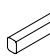
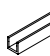
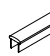
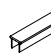
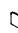
Stabilizer bars for glass thickness from **6 to 10 mm**

		
MF127 Page 346	MF129 Page 346	MF1515 Page 347

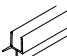
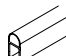

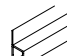
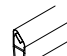

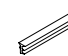
Knobs for glass thickness from **6 to 12 mm**

		
DQTS2525 Page 348	DQP2525 Page 348	POM2525 Page 348

Profiles for fixed panes and caps

							
LMU20B Page 349	LMU86B Page 349	LMU20TPB Page 349	PESQB Page 349	PBD3183 Page 350	PBD3184 Page 350	PBD3186 Page 350	PBDTP Page 350

Gaskets for glass thickness from **8 to 10 mm**

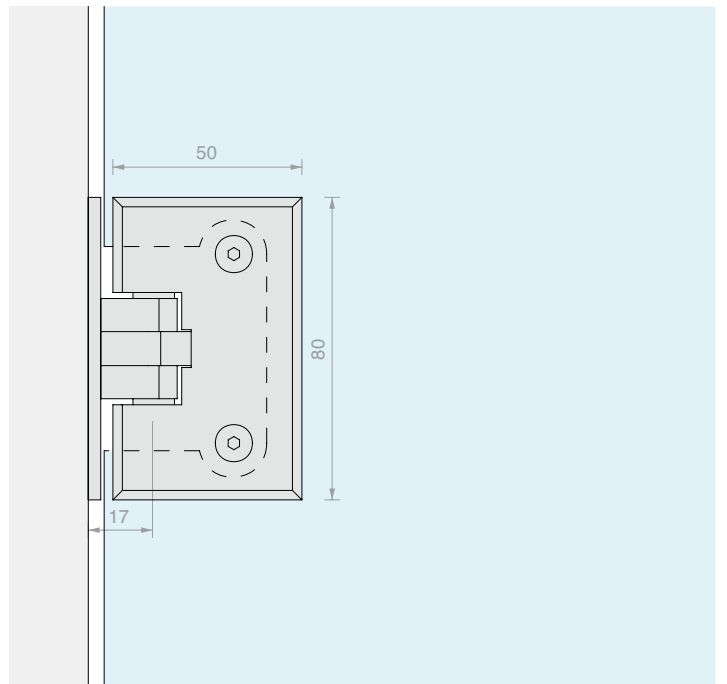
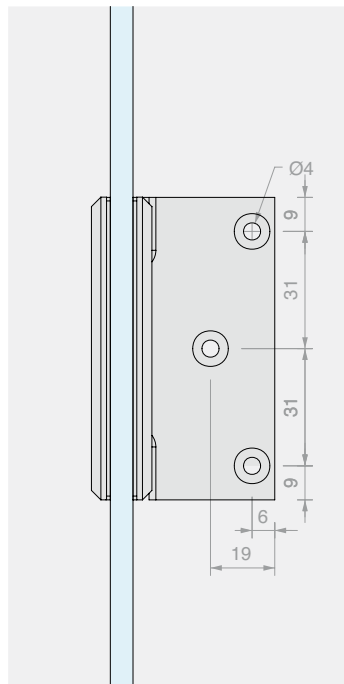
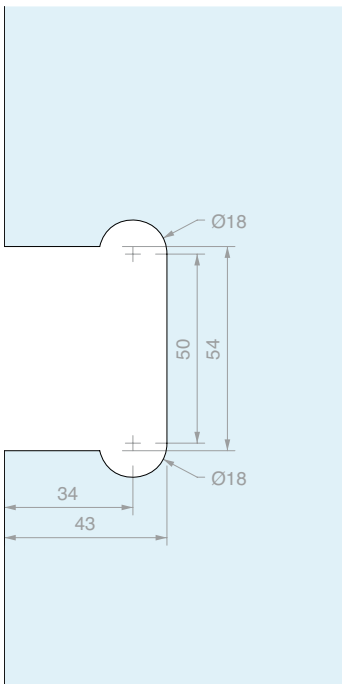
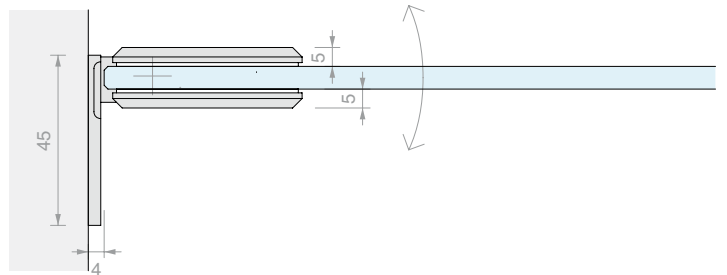
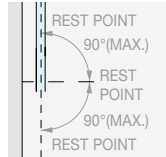
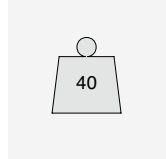
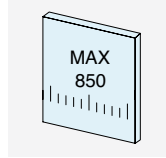
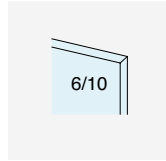
						
GM0210 Page 351	GM0622 Page 350	GM54 Page 351	GM0422 Page 351	GM1520SX Page 351	GM1520DX Page 351	GTUP Page 351



WALL/GLASS SIDE HINGE

Material: Brass

Finish: /1



Art. **CER26**

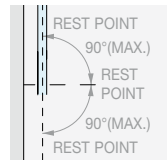
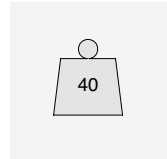
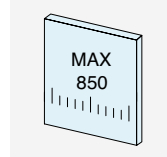
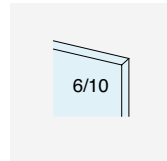
For glass
From 6 to 10 mm

Qty
1 Pc

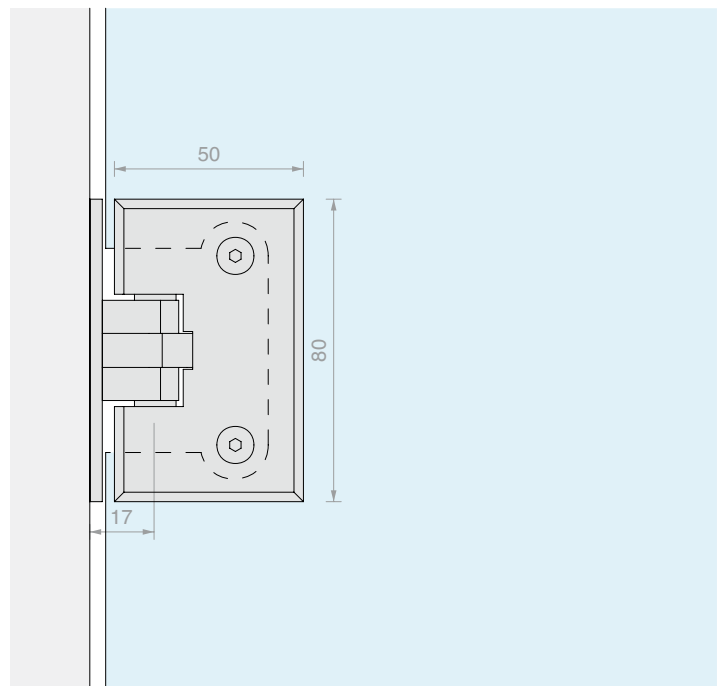
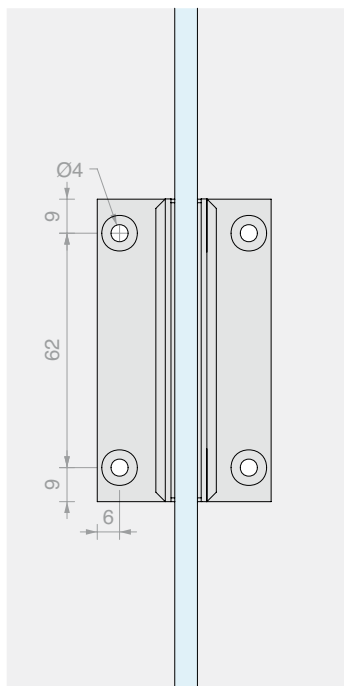
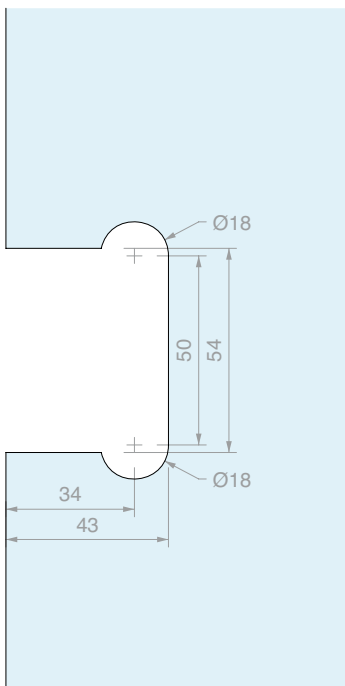
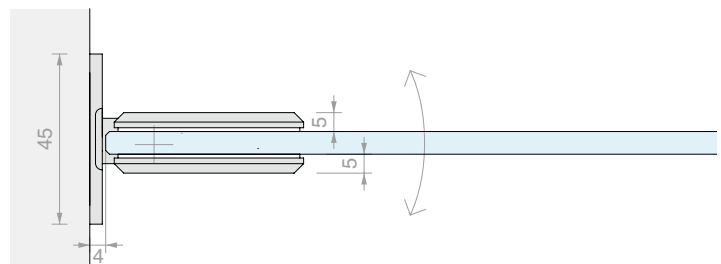
WALL/GLASS CENTRAL HINGE

Material: Brass

Finish: /1



±90° ROTATION



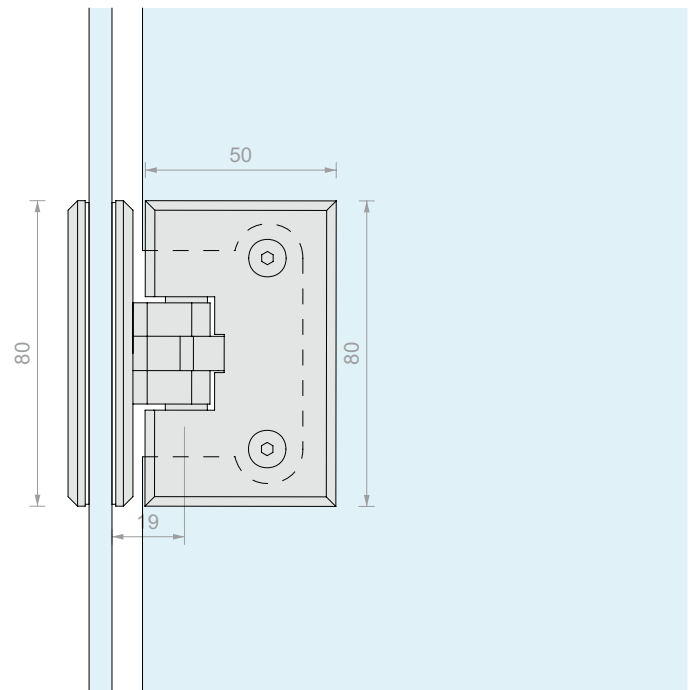
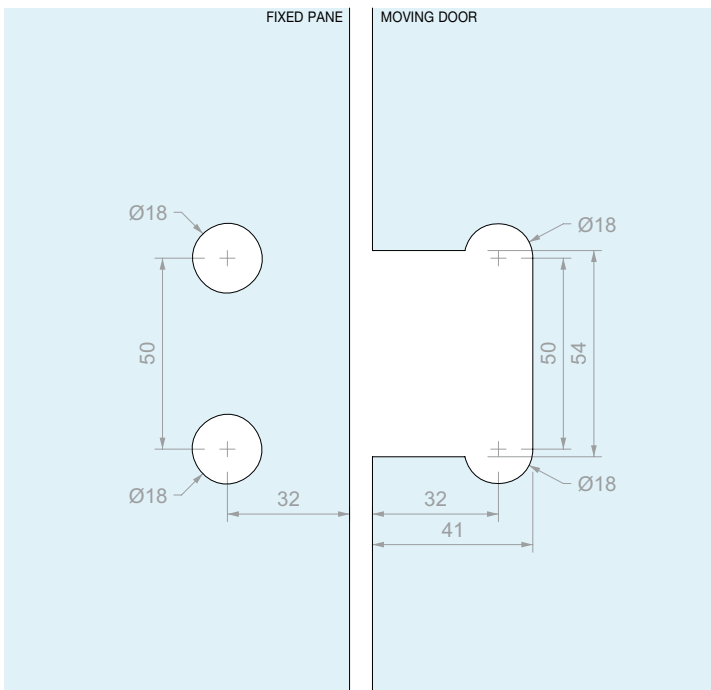
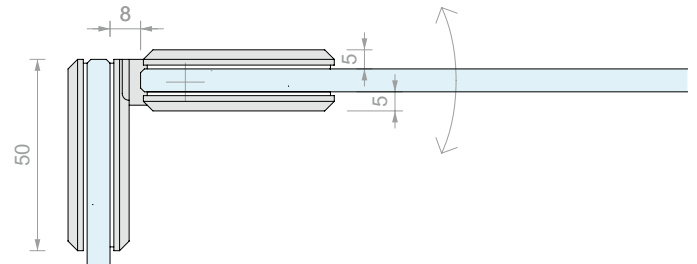
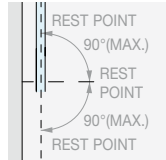
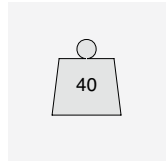
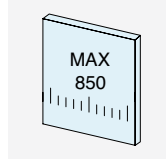
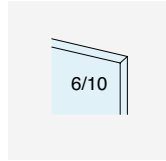
Art.	For glass	Qty
CER27	From 6 to 10 mm	1 Pc



90° GLASS/GLASS HINGE

Material: Brass

Finish: /1



Art. **CER28**

For glass
From 6 to 10 mm

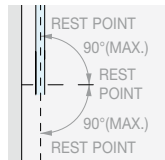
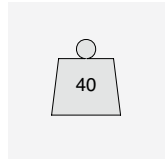
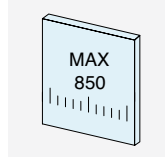
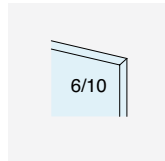
Qty
1 Pc



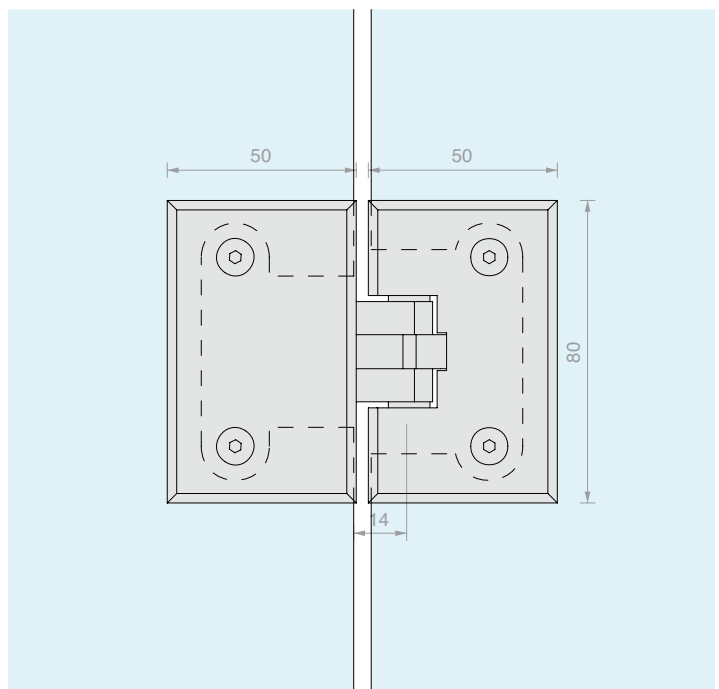
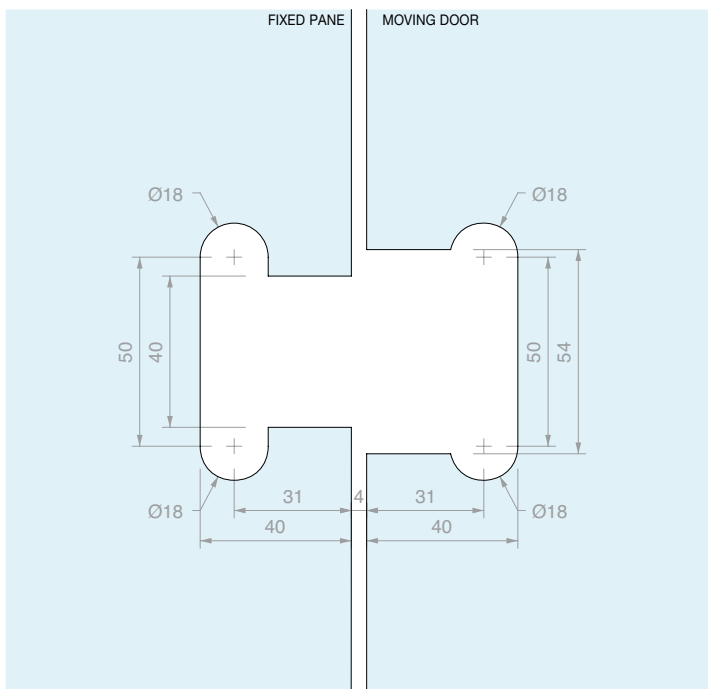
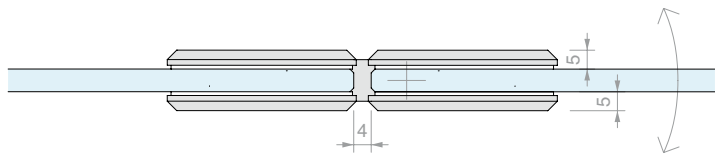
GLASS/GLASS IN-LINE HINGE

Material: Brass

Finish: /1



±90° ROTATION



Art.	For glass	Qty
CER29	From 6 to 10 mm	1 Pc

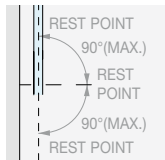
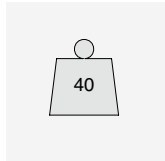
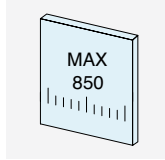
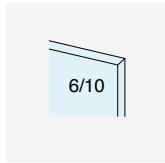


GLASS/GLASS SAFETY HINGE

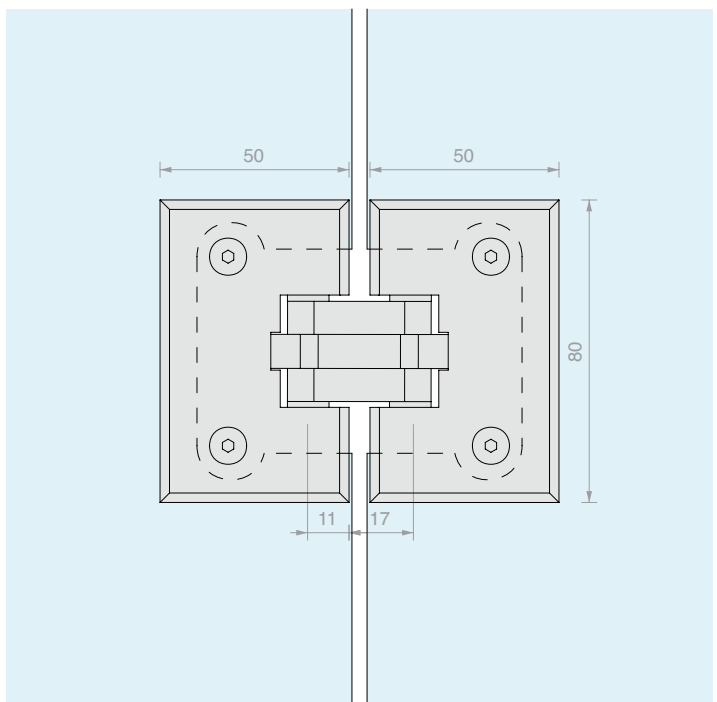
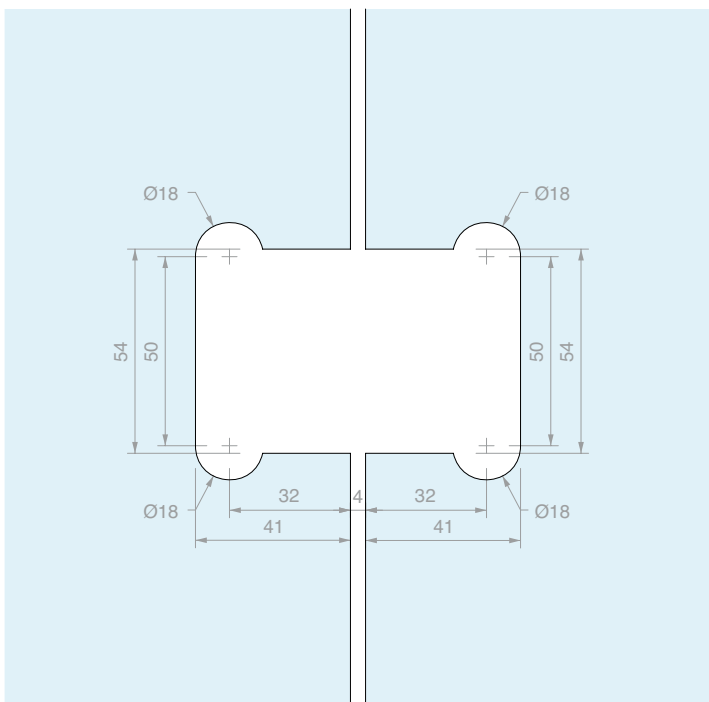
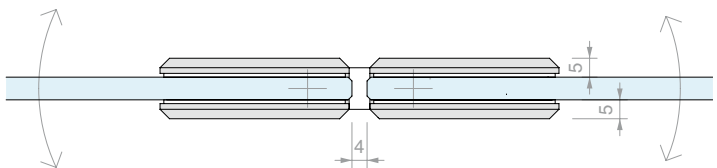
Material: Brass

Finish: /1

Note: The hinge does not work for packing



±90° ROTATION
FURTHER SAFETY ROTATION ±90°



Art. **CER31** For glass From 6 to 10 mm

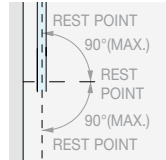
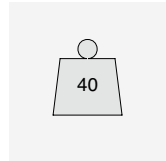
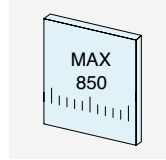
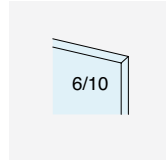
Qty 1 Pc



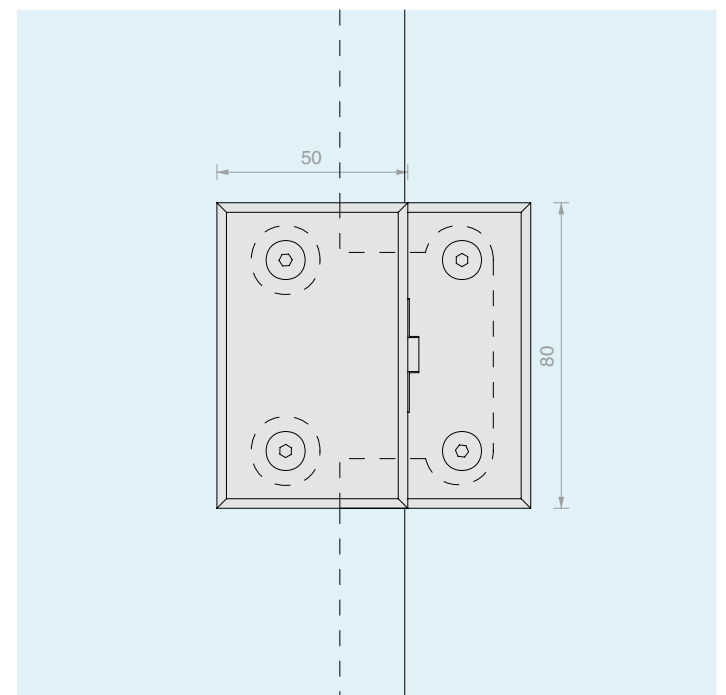
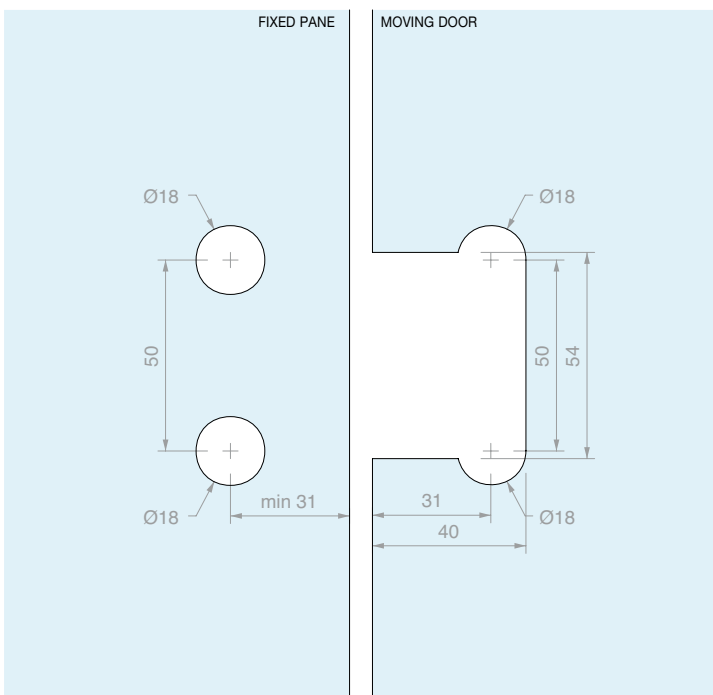
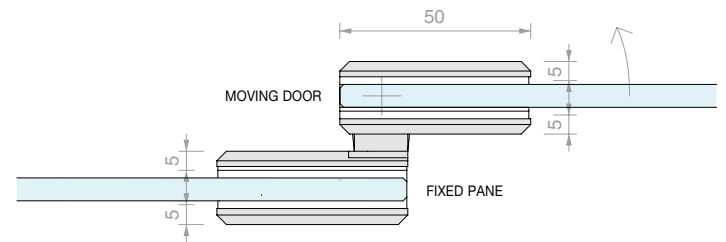
GLASS/GLASS OVERLAP HINGE

Material: Brass

Finish: /1



±90° ROTATION



Art. **CER32**

For glass
From 6 to 10 mm

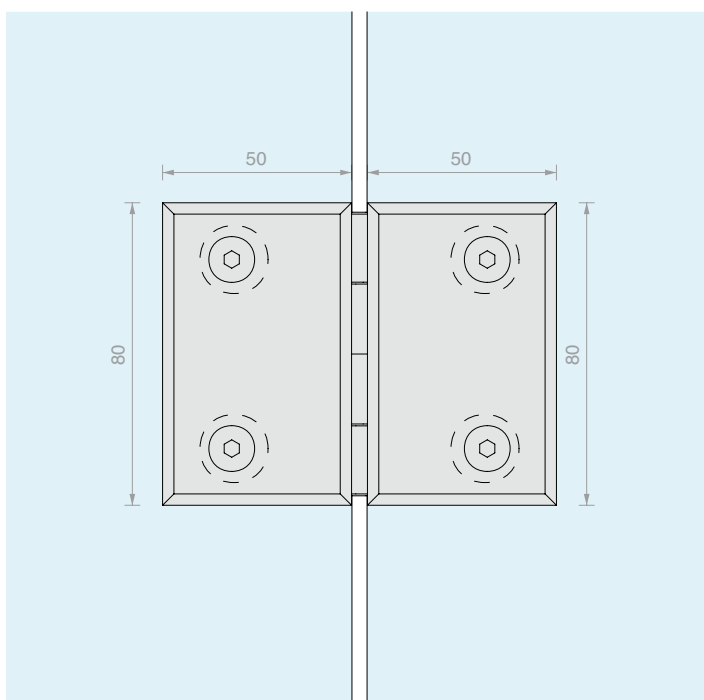
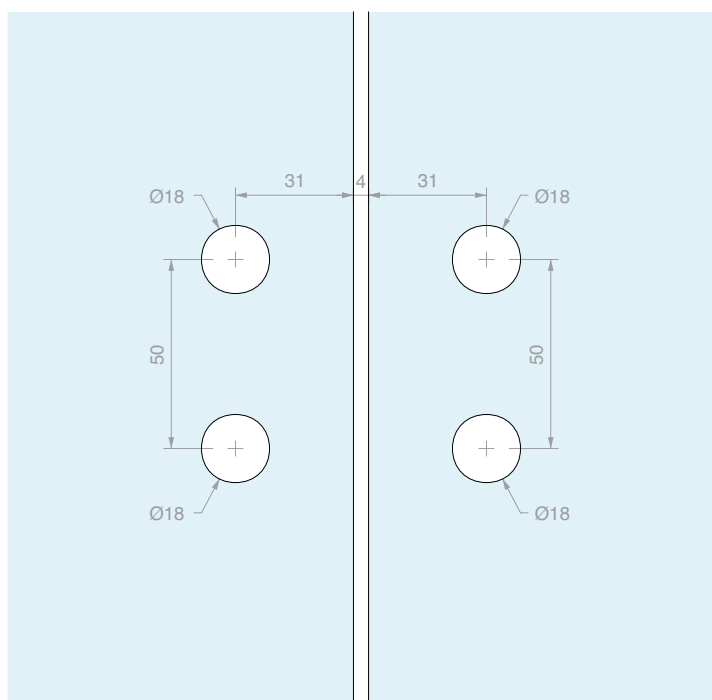
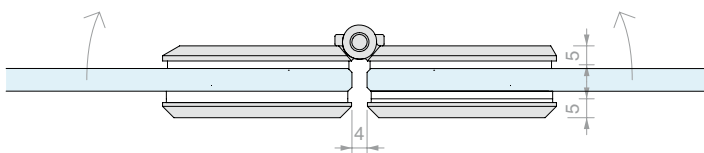
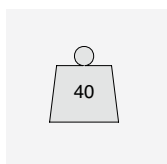
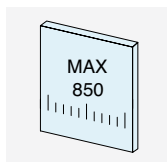
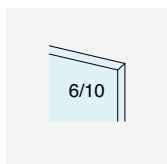
Qty
1 Pc



GLASS/GLASS IN-LINE FOLDING HINGE

Material: Brass

Finish: /1

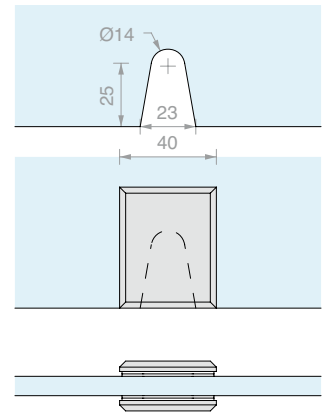
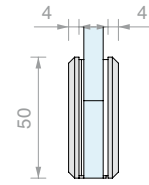


Art.	For glass	Qty
CER33	From 6 to 10 mm	1 Pc



**WALL/GLASS
FLUSH TO THE WALL CLAMP**

Material: Brass
Finish: /1

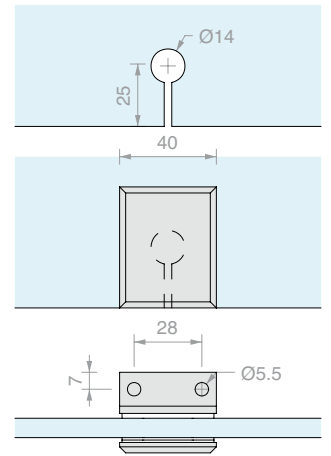
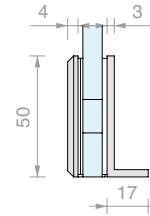


Art.	For glass	Qty
MORS001	From 6 to 10 mm	1 Pc



**WALL/GLASS SIDE FIXING CLAMP,
NARROW**

Material: Brass
Finish: /1

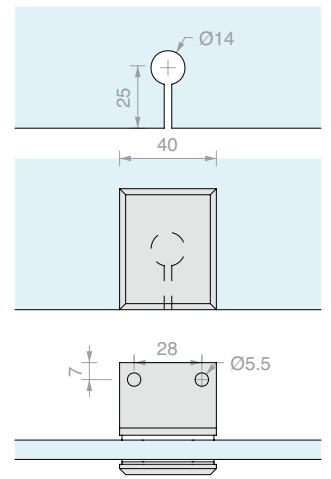
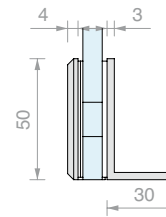


Art.	For glass	Qty
MORS002	From 6 to 10 mm	1 Pc



**WALL/GLASS SIDE FIXING CLAMP,
LARGE**

Material: Brass
Finish: /1

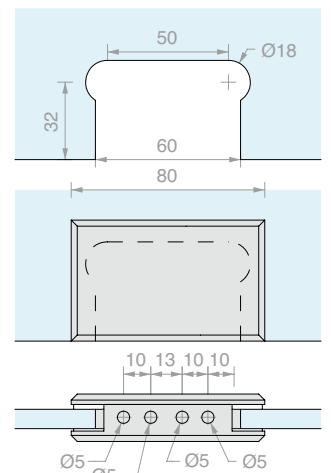
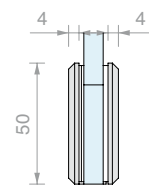


Art.	For glass	Qty
MORS0023	From 6 to 10 mm	1 Pc



**WALL/GLASS
FLUSH TO THE WALL CLAMP**

Material: Brass
Finish: /1

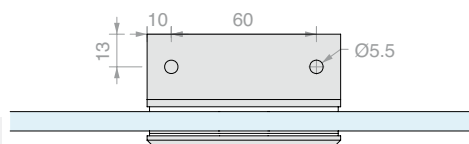
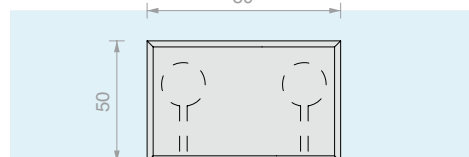
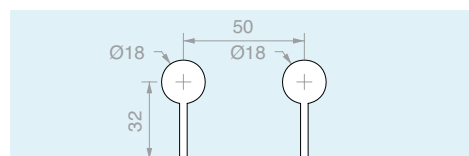
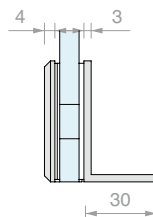


Art.	For glass	Qty
MORS003	From 6 to 10 mm	1 Pc

WALL/GLASS SIDE FIXING CLAMP, LARGE

Material: Brass

Finish: /1

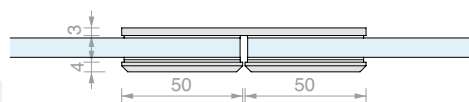
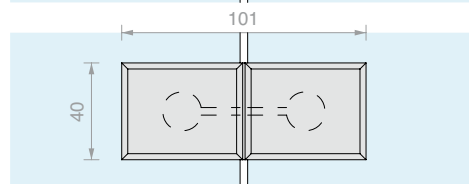
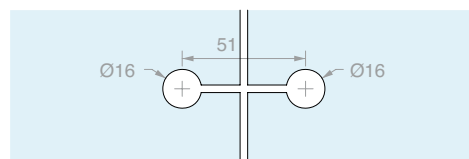


Art.	For glass	Qty
MORS033	From 6 to 10 mm	1 Pc

GLASS/GLASS IN-LINE CLAMP

Material: Brass

Finish: /1

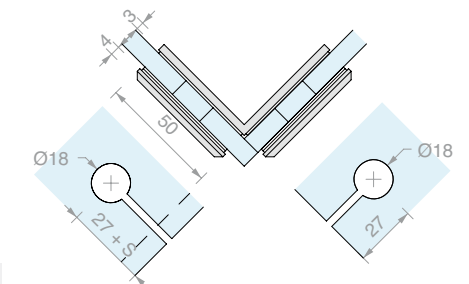
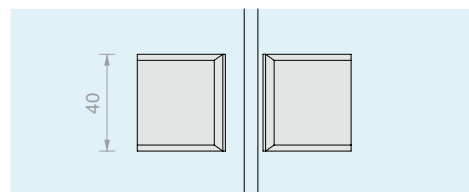


Art.	For glass	Qty
MORS004	From 6 to 10 mm	1 Pc

GLASS/GLASS 90° CLAMP

Material: Brass

Finish: /1



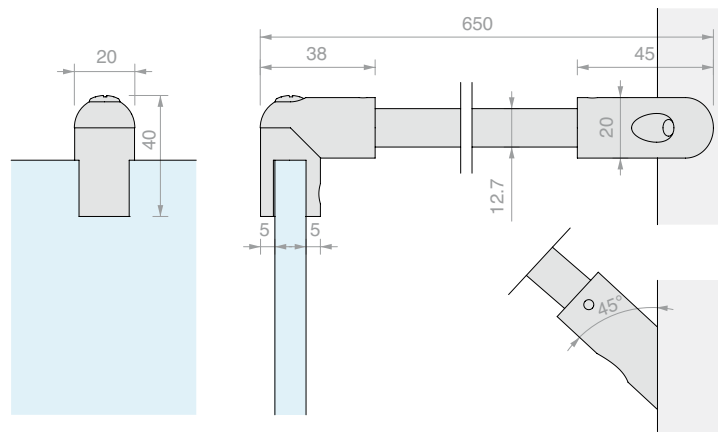
Art.	For glass	Qty
MORS005	From 6 to 10 mm	1 Pc



45° FIXED WALL/GLASS STABILIZER BAR

Material: Brass

Finish: /1 /24



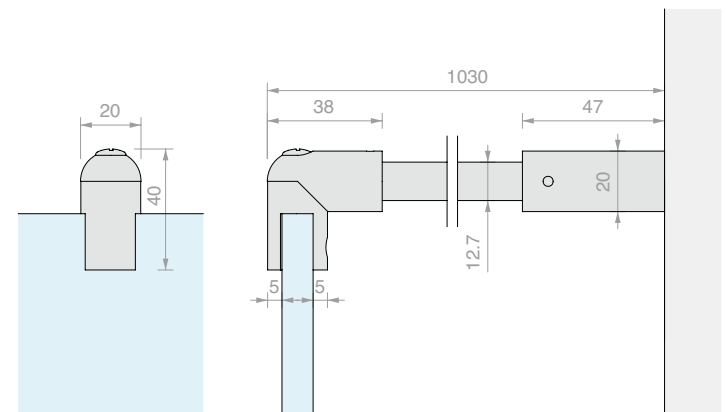
Art.	For glass	Qty
MF129	From 6 to 10 mm	1 Pc



FIXED WALL/GLASS STABILIZER BAR

Material: Brass

Finish: /1 /2 /4 /24



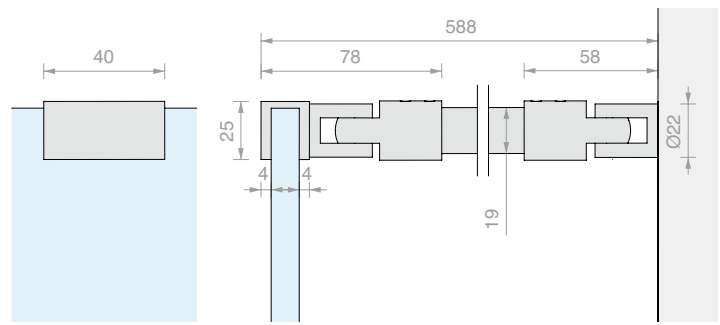
Art.	For glass	Qty
MF127	From 6 to 10 mm	1 Pc



WALL/GLASS STABILIZER BAR WITH DOUBLE JOINT

Material: Brass

Finish: /1 /2 /3 /4



Art.	For glass	Qty
MF1515	From 6 to 12 mm	1 Pc

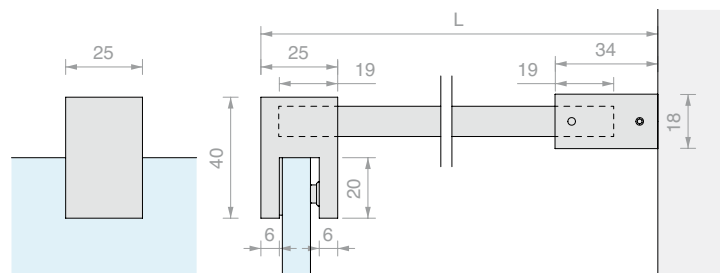


WALL/GLASS FIXED STABILIZER BAR WITH SHORT CLAMP

Material: Brass

Finish: /1 /2 /4 /24 /73* /R2

* Not available for Art. DQT1500



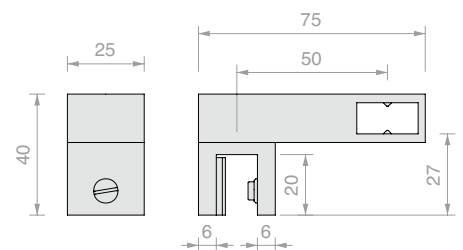
Art.	L	For glass	Qty
DQT500	520 mm	From 8 to 12 mm	1 Pc
DQT1000	1020 mm	From 8 to 12 mm	1 Pc
DQT1500	1520 mm	From 8 to 12 mm	1 Pc



ARTICULATED DISTANCED GLASS FIXING

Material: Brass

Finish: /1 /2 /4 /24 /73 /R2



Art.	For glass	Qty
DQA90	From 8 to 12 mm	1 Pc

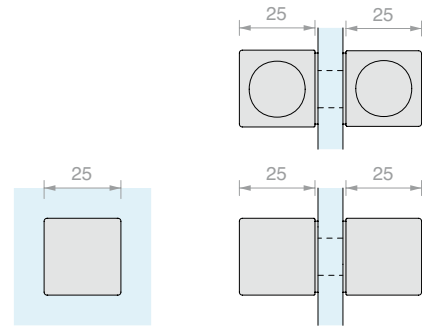


PAIR OF SQUARE KNOBS WITH GRIP

Material: Brass

Recommended glass hole minimum size Ø12 mm

Finish: /1 /2 /4 /24 /R2



Art.	For glass	Qty
DQTS2525	From 8 to 12 mm	1 Pc

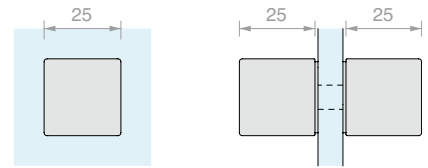


PAIR OF SQUARE KNOBS

Material: Brass

Recommended glass hole minimum size Ø8 mm

Finish: /1 /2 /3 /4 /73 /R2



Art.	For glass	Qty
DQP2525	From 8 to 15 mm	1 Pc

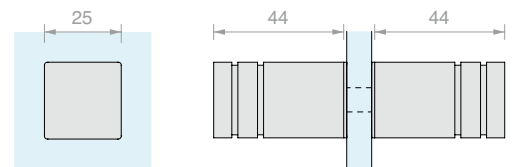


PAIR OF LONG KNOBS

Material: Brass

Recommended glass hole minimum size Ø8 mm

Finish: /1 /2 /3 /4 /R2



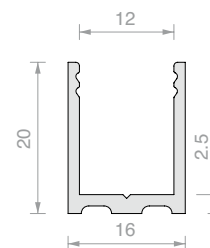
Art.	For glass	Qty
POM2525	From 8 to 15 mm	1 Pc



LMU20B U-SHAPED PROFILE

Material: Brass

Finish: /1 /2 /4 /24 /R2



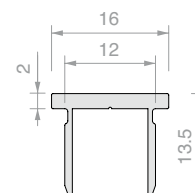
Art.	Length	Qty
LMU20B.150	1498 mm	1 Pc
LMU20B.220	2200 mm	1 Pc
LMU20B.300	3000 mm	1 Pc



LMU86B FLAT UPPER PROFILE

Material: Brass

Finish: /1 /2 /4 /24 /R2



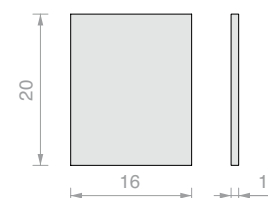
Art.	Length	Qty
LMU86B.100	992 mm	1 Pc
LMU86B.150	1498 mm	1 Pc
LMU86B.300	3000 mm	1 Pc



FLAT CAP LMUB

Material: Brass

Finish: /1 /2 /4 /24 /R2



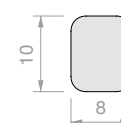
Art.	Qty
LMU20TPB	1 Pc



WATER BARRIER PROFILE PESQ0810B

Material: Brass

Finish: /1 /2 /4 /24 /R2



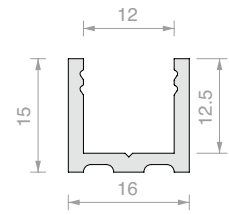
Art.	Length	Qty
PESQ0810B.100	992 mm	1 Pc
PESQ0810B.150	1498 mm	1 Pc
PESQ0810B.300	3000 mm	1 Pc

**PBD3183 U-SHAPED PROFILE**

Material: Aluminium

Finish: /6 /88 /91 /97

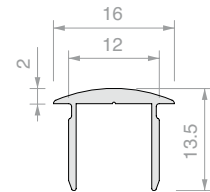
Art.	Length	Qty
PBD3183.150	1498 mm	1 Pc
PBD3183.220	2200 mm	1 Pc
PBD3183	3000 mm	1 Pc

**ROUNDED UPPER PROFILE PBD3184**

Material: Aluminium

Finish: /6 /88 /91 /97

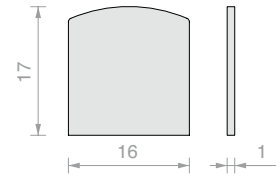
Art.	Length	Qty
PBD3184.100	992 mm	1 Pc
PBD3184.150	1498 mm	1 Pc
PBD3184	3000 mm	1 Pc

**ROUNDED CAP PBD**

Material: Aluminium

Finish: /6 /88 /91 /97

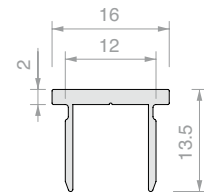
Art.	Qty
PBDTP	1 Pc

**FLAT UPPER PROFILE PBD3186**

Material: Aluminium

Finish: /6 /88 /91 /97

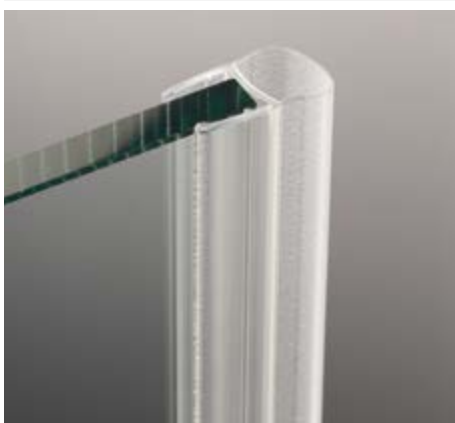
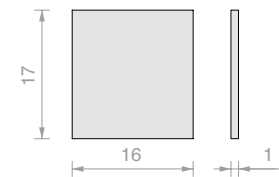
Art.	Length	Qty
PBD3186.100	992 mm	1 Pc
PBD3186.150	1498 mm	1 Pc
PBD3186	3000 mm	1 Pc

**PBD FLAT CAP**

Material: Aluminium

Finish: /6 /88 /91 /97

Art.	Qty
PBD86TP	1 Pc

**BALLOON GASKET**

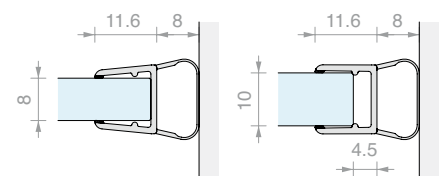
Material: Co-extruded rigid and soft PVC

Resistant to UV rays

Fungicide to prevent mould from forming

Colour: transparent/*black, transparent balloon

Art.	Length	For glass	Qty
GM06	2000 mm	From 8 to 10 mm	1 Pc
GM0622	2200 mm	From 8 to 10 mm	1 Pc
GM0622NR*	2200 mm	From 8 to 10 mm	1 Pc
GM0625	2500 mm	From 8 to 10 mm	1 Pc
GM0625NR*	2500 mm	From 8 to 10 mm	1 Pc
GM063000	3000 mm	From 8 to 10 mm	1 Pc
GM063000NR*	3000 mm	From 8 to 10 mm	1 Pc

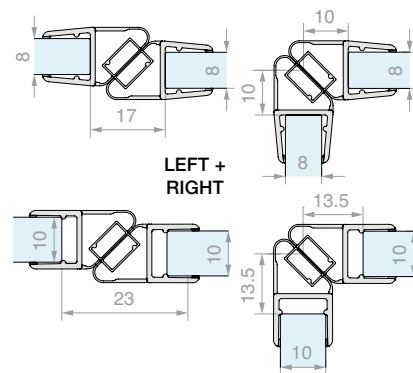




MAGNETIC 45° GASKET

Material: Co-extruded rigid and soft PVC
 Resistant to UV rays
 Fungicide to prevent mould from forming
 Maximum operating temperature 70°C
 Colour: transparent/*black, transparent balloon, white/*black magnet

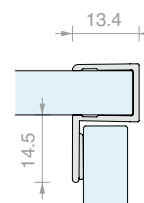
Art.	Length	For glass	Qty
GM1520SX	2200 mm	From 8 to 10 mm	1 Pc
GM1520SXNR*	2200 mm	From 8 to 10 mm	1 Pc
GM1520DX	2200 mm	From 8 to 10 mm	1 Pc
GM1520DXNR*	2200 mm	From 8 to 10 mm	1 Pc
GM15SX	2500 mm	From 8 to 10 mm	1 Pc
GM15DX	2500 mm	From 8 to 10 mm	1 Pc
GM1530SX	3000 mm	From 8 to 10 mm	1 Pc
GM1530DX	3000 mm	From 8 to 10 mm	1 Pc



90° STRIKE JAMB GASKET

Material: Co-extruded rigid and soft PVC
 Resistant to UV rays
 Fungicide to prevent mould from forming
 Maximum operating temperature 70°C
 Colour: transparent, embossed lip

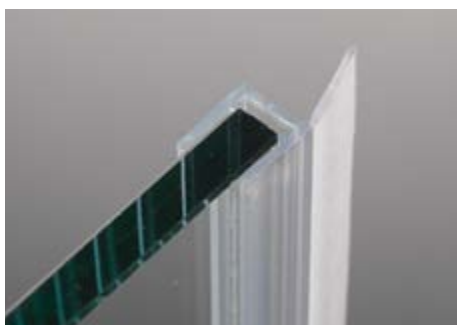
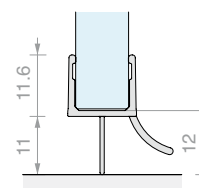
Art.	Length	For glass	Qty
GM5422	2200 mm	From 8 to 10 mm	1 Pc
GM5430	3000 mm	From 8 to 10 mm	1 Pc



GASKET WITH LIP WATER BARRIER AND DRIP FLAP

Material: Co-extruded rigid and soft PVC
 Resistant to UV rays
 Fungicide to prevent mould from forming
 Maximum operating temperature 70°C
 Colour: transparent/*black, embossed lip

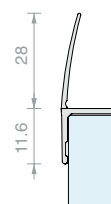
Art.	Length	For glass	Qty
GM0210	1000 mm	From 8 to 10 mm	1 Pc
GM02	2000 mm	From 8 to 10 mm	1 Pc
GM02NR*	2000 mm	From 8 to 10 mm	1 Pc
GM022500	2500 mm	From 8 to 10 mm	1 Pc
GM022500NR*	2500 mm	From 8 to 10 mm	1 Pc



GASKET WITH STRAIGHT LIP

Material: Co-extruded rigid and soft PVC
 Fungicide to prevent mould from forming
 Colour: transparent, embossed lip

Art.	Length	For glass	Qty
GM04	2000 mm	From 8 to 10 mm	1 Pc
GM0422	2200 mm	From 8 to 10 mm	1 Pc
GM0425	2500 mm	From 8 to 10 mm	1 Pc
GM0430	3000 mm	From 8 to 10 mm	1 Pc



GLASS HOLDER GASKET

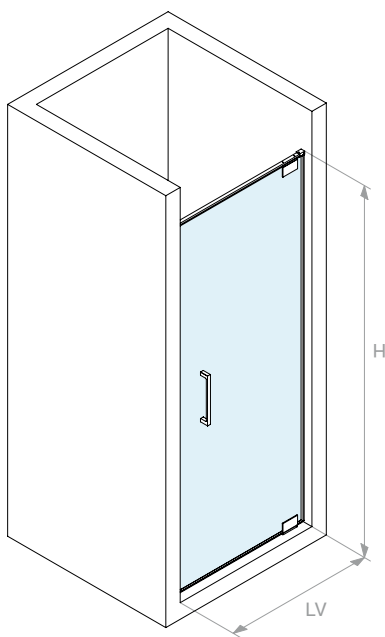
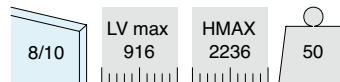
Material: PVC

Art.	Thickness	Colour	Qty	Art.	Thickness	Colour	Qty
GTUP2	2	Transparent	1 m	GTUP5G	5	Embossed	1 m
GTUP3	3	Transparent	1 m	GTUP6G	6	Embossed	1 m
GTUP4	4	Transparent	1 m	GTUP2N	2	Black	1 m
GTUP5	5	Transparent	1 m	GTUP3N	3	Black	1 m
GTUP6	6	Transparent	1 m	GTUP4N	4	Black	1 m
GTUP2G	2	Embossed	1 m	GTUP5N	5	Black	1 m
GTUP3G	3	Embossed	1 m	GTUP6N	6	Black	1 m
GTUP4G	4	Embossed	1 m				



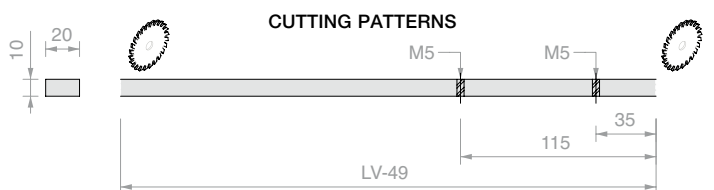
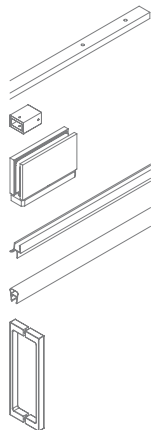
WALL-TO-WALL PIVOT SHOWER KIT

Finish: /1 /R2



Kit comprising:

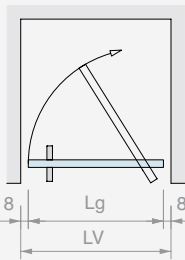
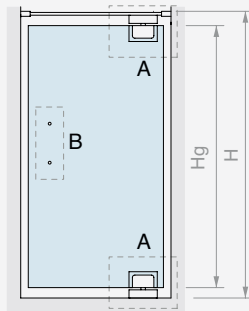
Art.	Description	Qty
DQAP.100	Solid fixing bar	1 Pc
DQA93	Wall fixing	2 Pc
CERPT80SQ	Pivot hinge	2 Pc
GM0210	Gasket with drip flap	1 Pc
GM0622	Balloon gasket	2 Pc
PMAN1332	Pair of flat pull handles	1 Pc



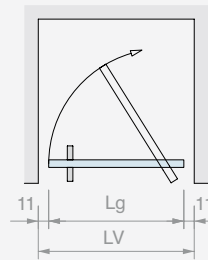
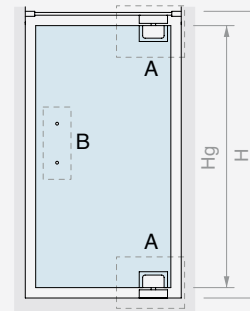
Art.	Qty
BDBIL81001	1 Pc



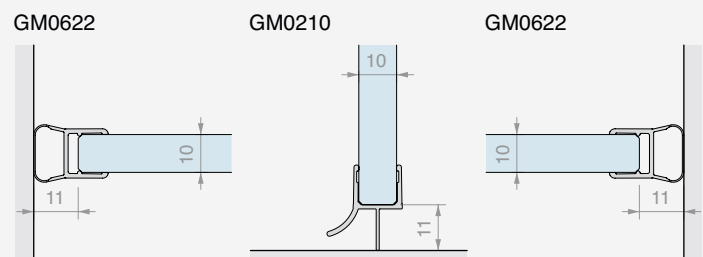
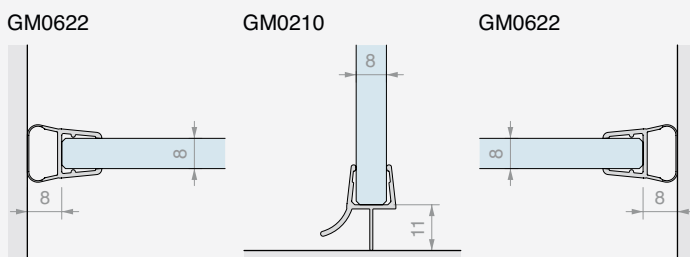
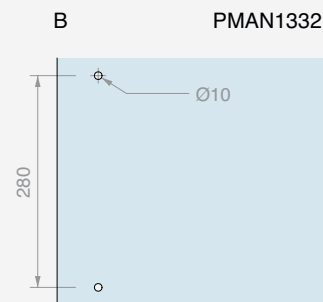
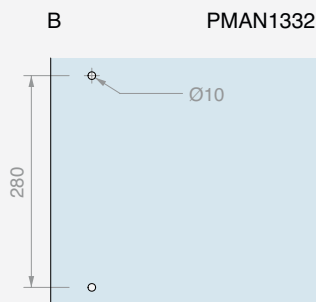
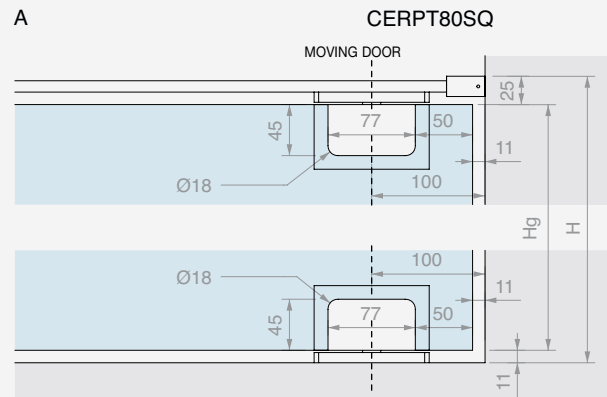
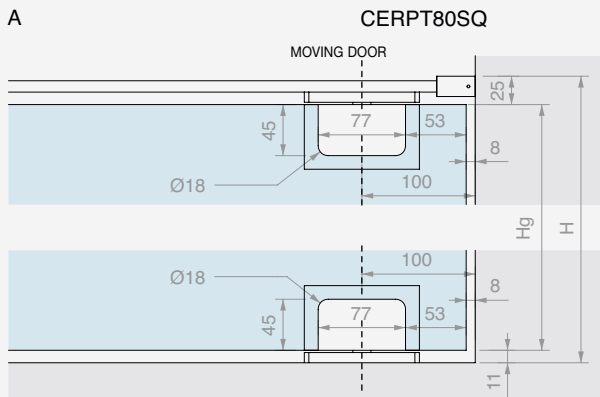
GLASS PANE DIMENSIONS



Hg = H - 36
Lg = LV - 16 (MAX 900)



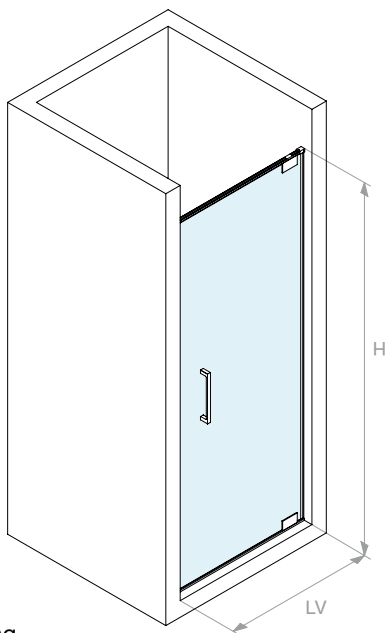
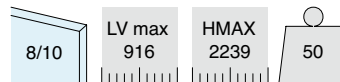
Hg = H - 36
Lg = LV - 23 (MAX 900)





**WALL-TO-WALL PIVOT SHOWER KIT
WITHOUT DRILLING ON SHOWER TRAY**

Finish: /1 /R2

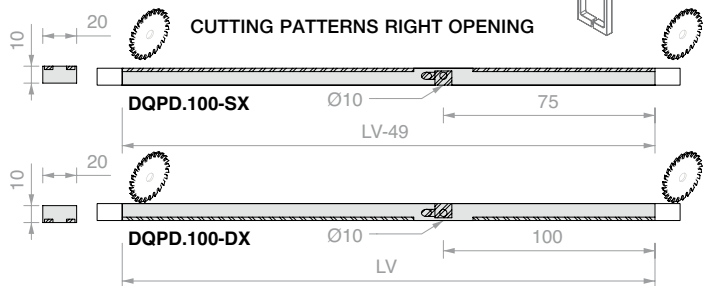


RIGHT opening

* For LEFT opening, reverse the cutting pattern

Kit comprising:

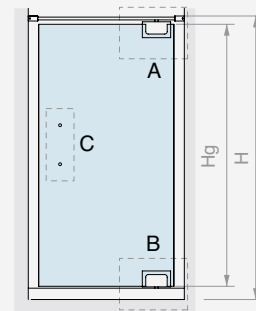
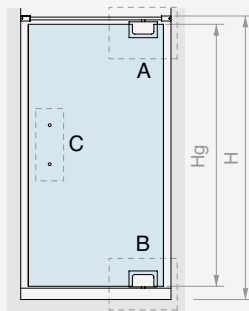
Art.	Description	Qty
DQPD.100-SX	Fixing bar/barrier profile LEFT	1 Pc
DQA93	Wall fixing	2 Pc
CERPT80SQ	Pivot hinge	2 Pc
DQPD.100-DX	Fixing bar/barrier profile RIGHT	1 Pc
GSL3000	Glass lip adhesive gasket	1 Pc
GM0622	Balloon gasket	2 Pc
PMAN1332	Pair of flat pull handles	1 Pc



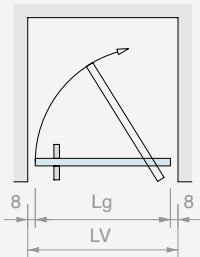
Art.	Qty
BDBIL81003	1 Pc



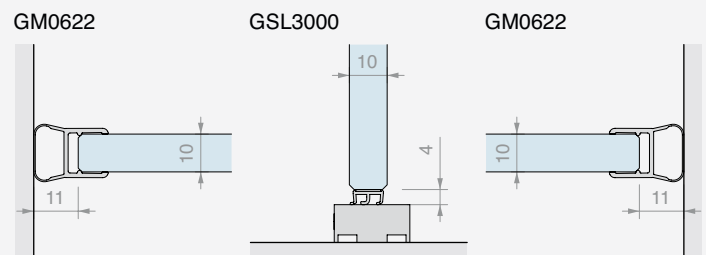
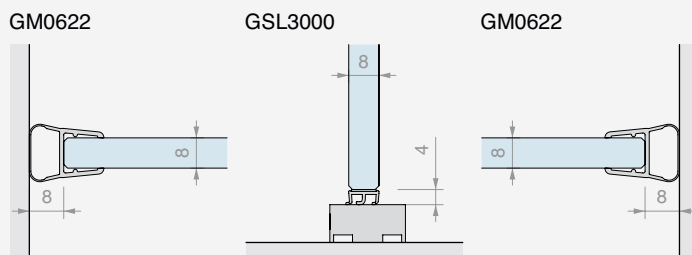
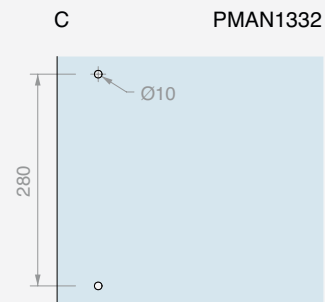
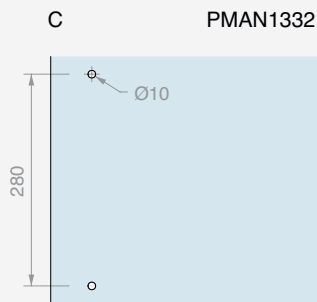
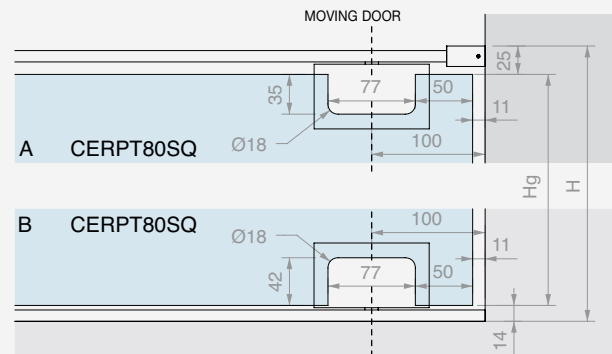
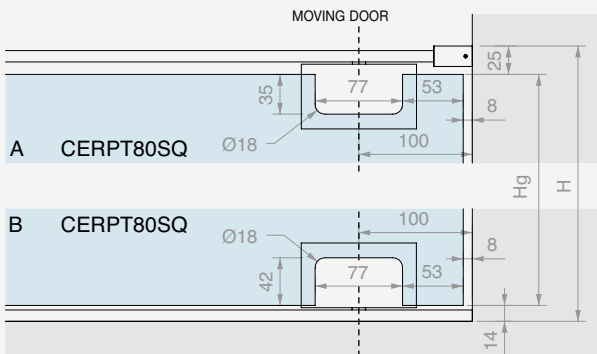
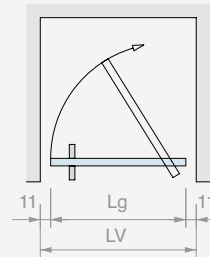
GLASS PANE DIMENSIONS



$H_g = H - 39$
 $L_g = LV - 16$ (MAX 900)



$H_g = H - 39$
 $L_g = LV - 23$ (MAX 900)



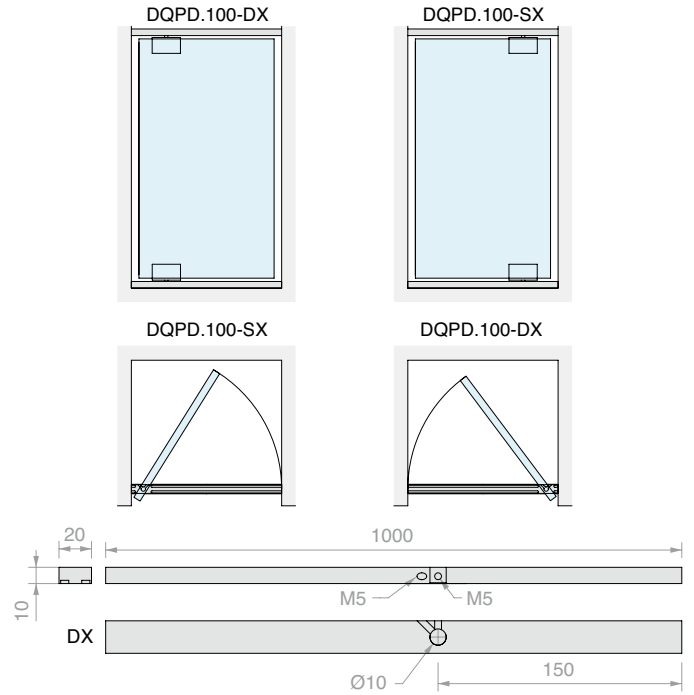


SOLID WATER BARRIER PROFILE/ FIXING BAR FOR CERPT80

Material: Brass

Finish: /1 /R2

N.B.: The dam function does not require drilling holes in the shower tray.
To be fixed with silicone.

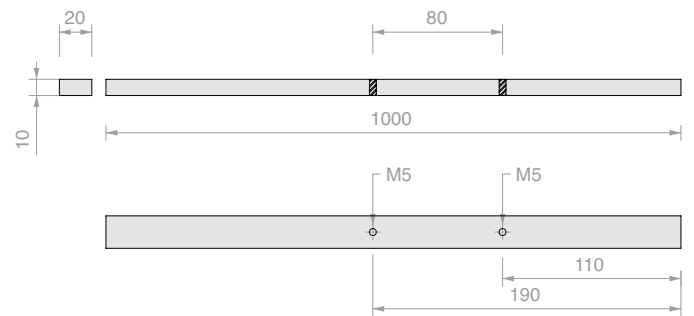


Art.	Description	Qty
DQPD.100-DX	Right	1 Pc
DQPD.100-SX	Left	1 Pc

SOLID FIXING BAR FOR CERPT80

Material: Brass

Finish: /1 /R2



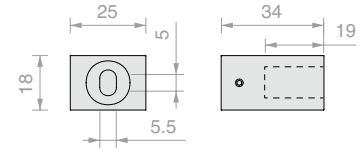
Art.	Description	Qty
DQAP.100		1 Pc



WALL FIXING

Material: Brass

Finish: /1 /2 /4 /24 /73 /R2



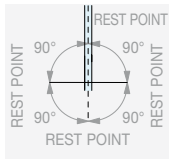
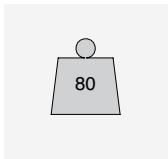
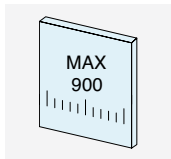
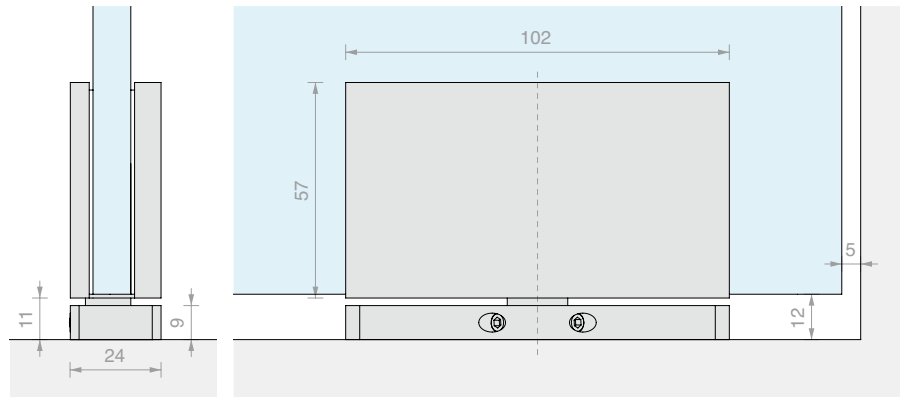
Art.	Qty
DQA93	1 Pc



SNAP-ON PIVOT HINGE 80SQ WITH HIDDEN SCREWS

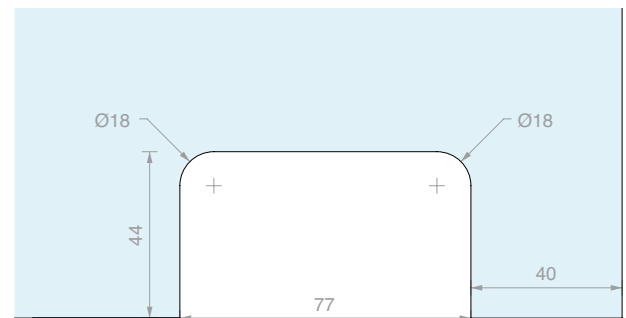
Material: Brass

Finish: /1 /2 /3 /R2



360° ROTATION

NO VISIBLE SCREWS



Art.	For glass	Qty
CERPT80SQ	From 8 a 12 mm	1 Pc



GASKET WITH LIP WATER BARRIER AND DRIP FLAP

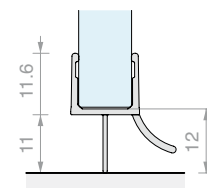
Material: Co-extruded rigid and soft PVC

Resistant to UV rays

Fungicide to prevent mould from forming

Maximum operating temperature 70°C

Colour: transparent/*black, embossed lips



Art.	Length	For glass	Qty
GM0210	1000 mm	From 8 to 10 mm	1 Pc
GM02	2000 mm	From 8 to 10 mm	1 Pc
GM02NR*	2000 mm	From 8 to 10 mm	1 Pc
GM022500	2500 mm	From 8 to 10 mm	1 Pc
GM022500NR*	2500 mm	From 8 to 10 mm	1 Pc



CHD SERIES

CER SERIES

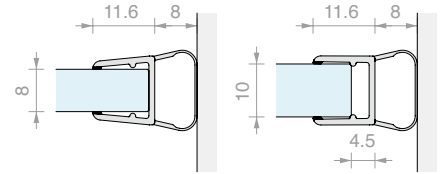
PIVOT SHOWER KIT



BALLOON GASKET

Material: Co-extruded rigid and soft PVC
Resistant to UV rays
Fungicide to prevent mould from forming
Colour: transparent/*black, transparent balloon

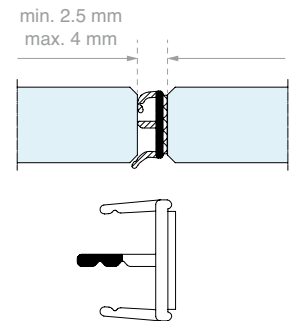
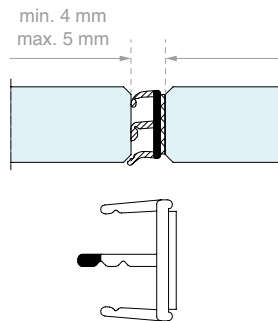
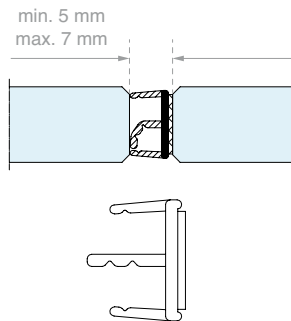
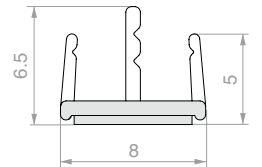
Art.	Length	For glass	Qty
GM06	2000 mm	From 8 to 10 mm	1 Pc
GM0622	2200 mm	From 8 to 10 mm	1 Pc
GM0622NR*	2200 mm	From 8 to 10 mm	1 Pc
GM0625	2500 mm	From 8 to 10 mm	1 Pc
GM0625NR*	2500 mm	From 8 to 10 mm	1 Pc
GM063000	3000 mm	From 8 to 10 mm	1 Pc
GM063000NR*	3000 mm	From 8 to 10 mm	1 Pc



GLASS LIP ADHESIVE GASKET

Properties:
GLASS LIP can be used on glass thicknesses between 8 mm and 13.52 mm
APPLICATION: All glass doors.
FIXING TYPE: With transparent high adhesion VHB two-sided tape for -40°C to +150°C
GASKETS: Lip gasket made from coextruded thermoplastic, adjustable (patented system).
FINISH: Embossed

PATENTED SYSTEM

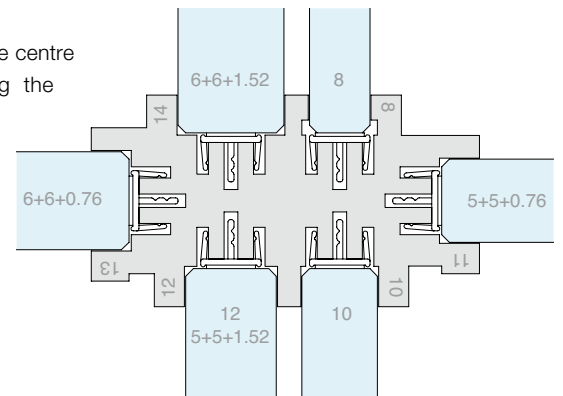
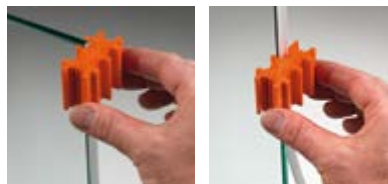


Art.	For glass	Length	Qty
GSL3000	From 8 to 13.5 mm	3000 mm	1 Pc



MOUNTING TEMPLATE GSL3000

Plastic mounting template for positioning the centre of the gasket in the centre of the glass along the whole length.
For use with Art. GSL3000



Art.	For glass	Qty
GSL812	From 8 to 13.5 mm	1 Pc



DEGREASING WIPE

Disposable isopropyl alcohol wipe

Art.

GSLSVL

Qty

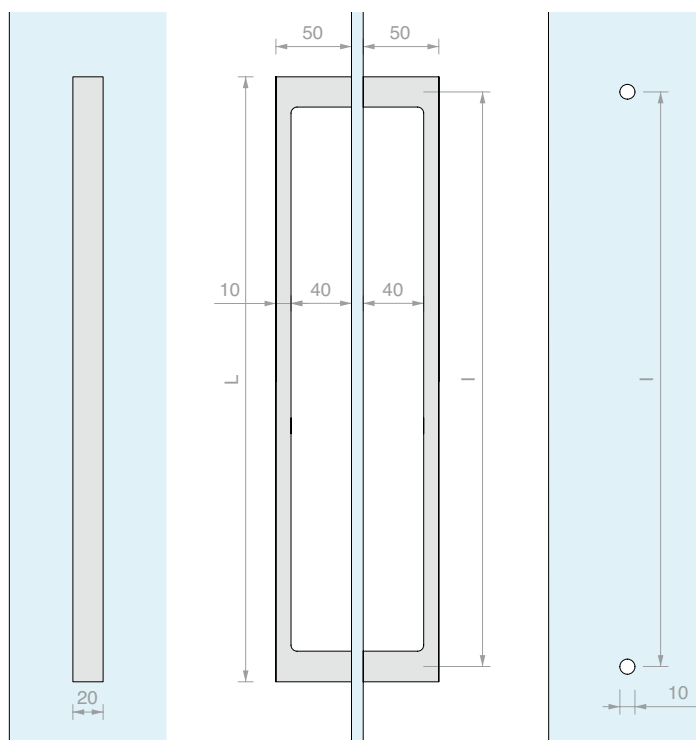
1 Pc



FLAT C-SHAPED PULL HANDLES

Material: Zamak

Finish: /1 /2 /4 /24 /R2



Art.
PMAN1332

L
300 mm

I
280 mm

For glass
From 6 to 10 mm

Qty
1 Pc

ACCESSORIES FOR SHOWER PARTITIONS

CHD SERIES

CER SERIES

PIVOT SHOWER KIT





PIVOT SHOWER
Page 362



HINGES
Page 374



LOCK WITHOUT HOLES
Page 396



STABILIZER BARS
Page 399



PROFILES
Page 408



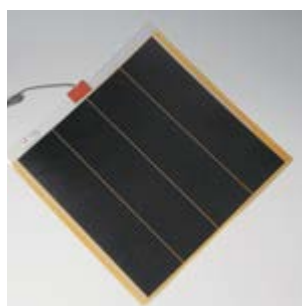
CLAMPS AND KNOBS
Page 422



DOOR STRIKER PROFILES
Page 423



GASKETS
Page 424



STOPVAPOR
Page 441

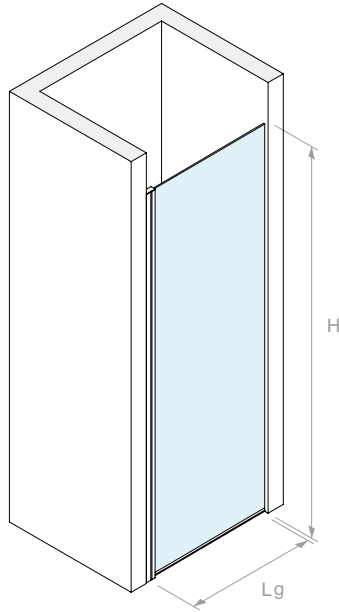


MIRROR SUPPORTS
Page 442



WALL/WALL PIVOT-UP SQUARE SHOWER KIT

Finish: /6 /91



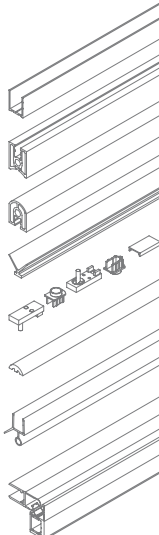
LgMAX 700

HMAX 2200



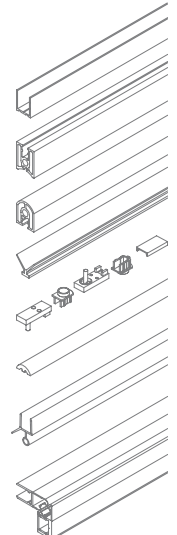
Kit comprising:

Art.	Description	Qty.
PTUPSQ-11	Extension profile	1 Pc
PTUPSQ-61C	Hinge anchoring profile	1 Pc
PTUPSQ-66	Glass holder profile	1 Pc
PTUPSQGUAV	V-shaped gasket	1 Pc
PTUPSQACCM	Wall/glass mounting kit	1 Pc
PTUPSQD	Water barrier profile	1 Pc
GM6010	Gasket with drip flap	1 Pc
Optional		
BT3322	Magnetic 45° door striker	1 Pc



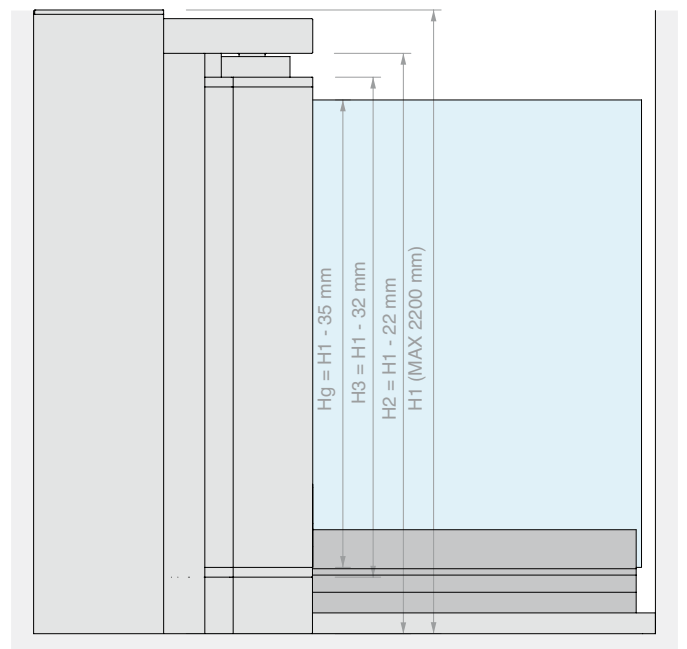
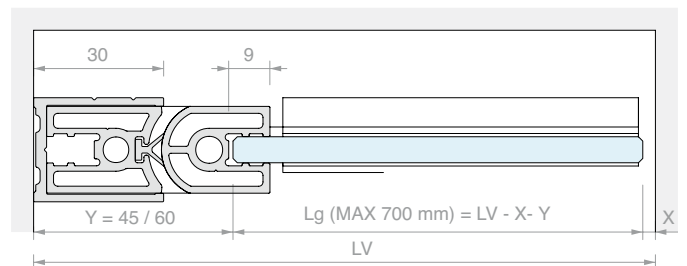
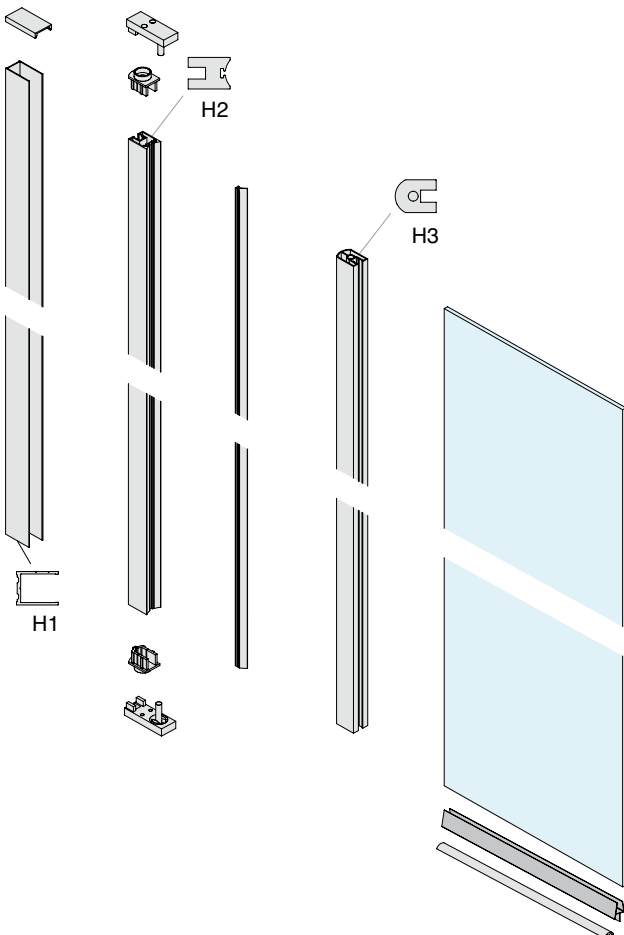
Kit comprising:

Art.	Description	Qty.
PTUPSQ-11	Extension profile	1 Pc
PTUPSQ-81C	Hinge anchoring profile	1 Pc
PTUPSQ-88	Glass holder profile	1 Pc
PTUPSQGUAV	V-shaped gasket	1 Pc
PTUPSQACCM	Wall/glass mounting kit	1 Pc
PTUPSQD	Water barrier profile	1 Pc
GM6010	Gasket with drip flap	1 Pc
Optional		
BT3322	Magnetic 45° door striker	1 Pc



Art.	Qty
PTUPSQ2016	1 Pc

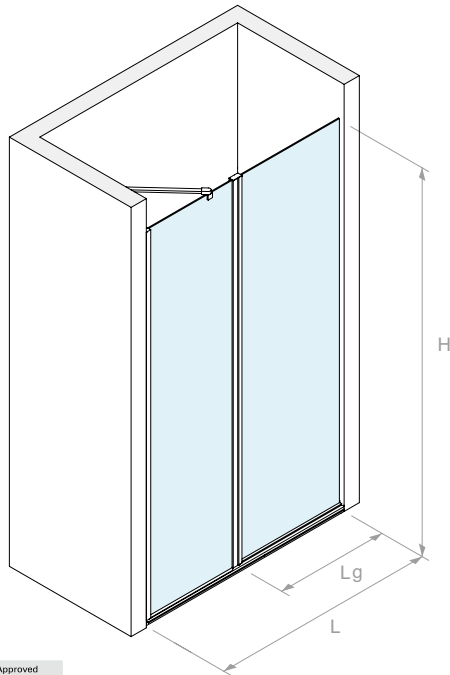
Art.	Qty
PTUPSQ2018	1 Pc





WALL/GLASS PIVOT-UP SQUARE SHOWER KIT

Finish: /6 /91



LgMAX 700

LfMAX 600

HMAX 2200



Kit comprising:

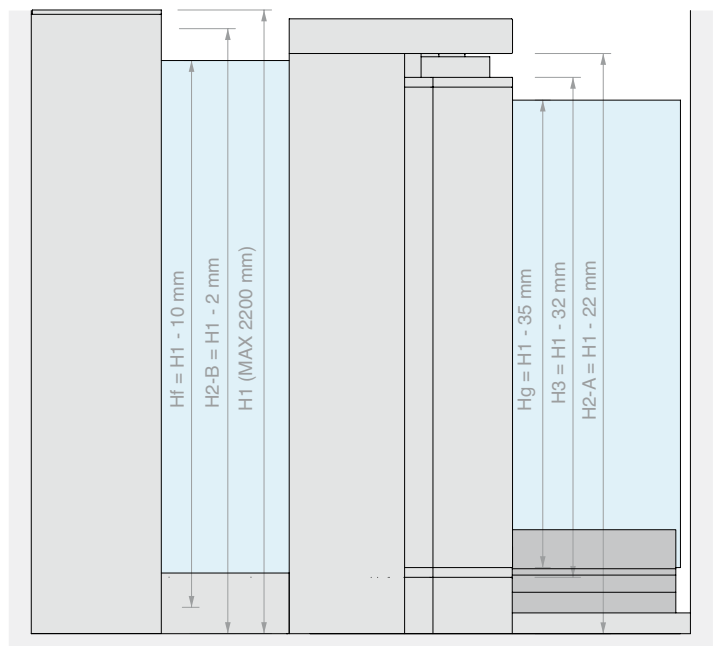
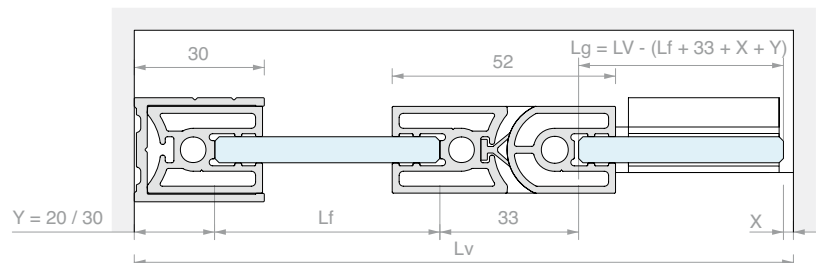
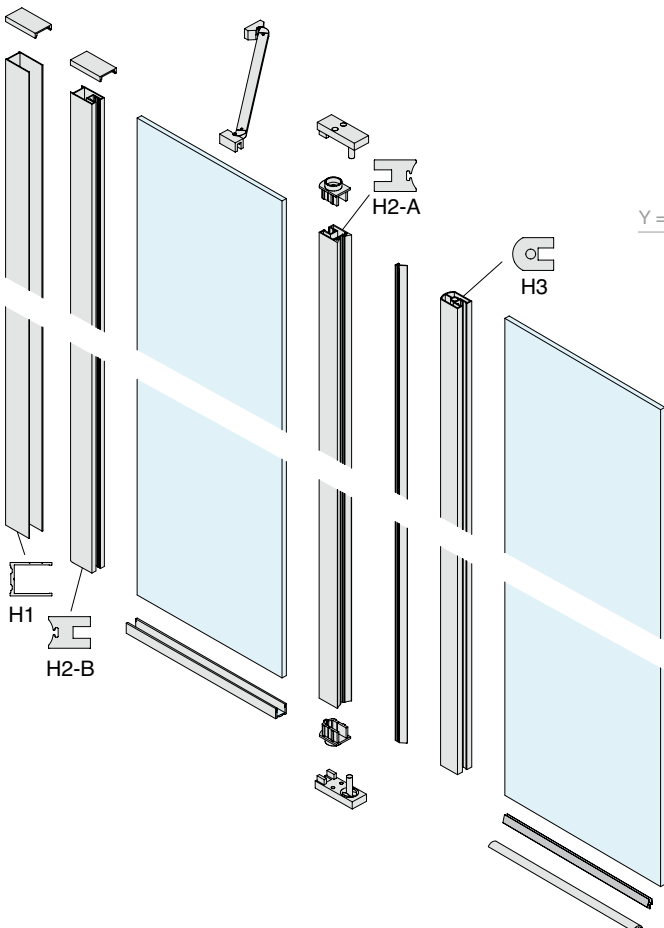
Art.	Description	Qty.
PTUPSQ-11	Extension profile	1 Pc
PTUPSQ-61C	Hinge anchoring profile	1 Pc
PTUPSQ-61L	Fixed pane anchoring profile	1 Pc
PTUPSQ-66	Glass holder profile	1 Pc
PTUPSQGUAV	V-shaped gasket	1 Pc
PTUPSQACCV	Glass/glass mounting kit	1 Pc
PBD3183.150	U-shaped profile	1 Pc
GTUP3	Glass holder gasket	1 Pc
PTUPSQD	Water barrier profile	1 Pc
GM6010	Gasket with drip flap	1 Pc
MF350	Jointed stabilizer bar	1 Pc
Optional		
BT3322	Magnetic 45° door striker	1 Pc

Art. **PTUPSQ2036** Qty 1 Pc

Kit comprising:

Art.	Description	Qty.
PTUPSQ-11	Extension profile	1 Pc
PTUPSQ-81C	Hinge anchoring profile	1 Pc
PTUPSQ-81L	Fixed pane anchoring profile	1 Pc
PTUPSQ-88	Glass holder profile	1 Pc
PTUPSQGUAV	V-shaped gasket	1 Pc
PTUPSQACCV	Glass/glass mounting kit	1 Pc
PBD3183.150	U-shaped profile	1 Pc
GTUP2	Glass holder gasket	1 Pc
PTUPSQD	Water barrier profile	1 Pc
GM6010	Gasket with drip flap	1 Pc
MF350	Jointed stabilizer bar	1 Pc
Optional		
BT3322	Magnetic 45° door striker	1 Pc

Art. **PTUPSQ2038** Qty 1 Pc





CHD SERIES

CER SERIES

PIVOT SHOWER KIT

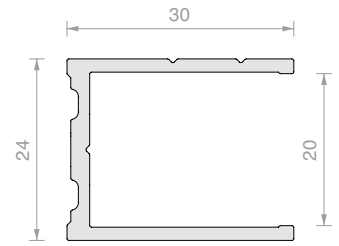
PIVOT SHOWER



EXTENSION PROFILE

Material: Aluminium

Finish: /6 /91



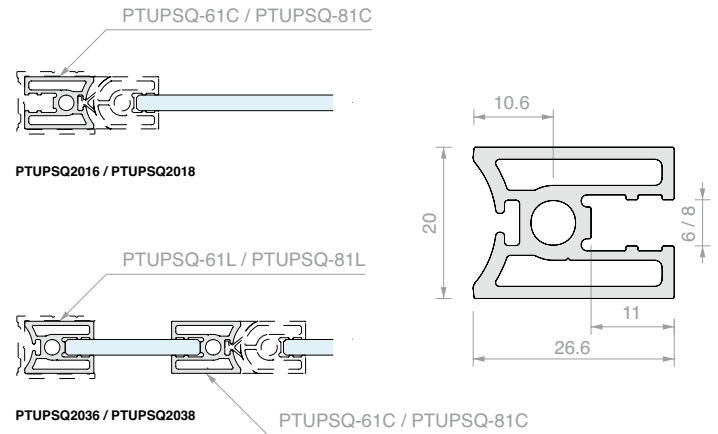
Art.	Length	Qty
PTUPSQ-11	2200 mm	1 Pc
PTUPSQ-1130	3000 mm	1 Pc



HINGE ANCHORING PROFILE

Material: Aluminium

Finish: /6 /91



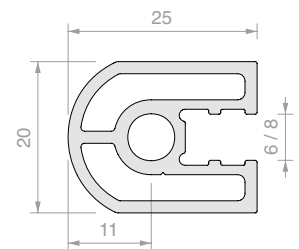
Art.	Length	For glass	Qty
PTUPSQ-61C	2178 mm	6 mm	1 Pc
PTUPSQ-61L	2198 mm	6 mm	1 Pc
PTUPSQ-81C	2178 mm	8 mm	1 Pc
PTUPSQ-81L	2198 mm	8 mm	1 Pc
PTUPSQ-6130	3000 mm	6 mm	1 Pc
PTUPSQ-8130	3000 mm	8 mm	1 Pc



GLASS HOLDER PROFILE

Material: Aluminium

Finish: /6 /91

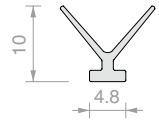


Art.	Length	For glass	Qty
PTUPSQ-66	2168 mm	6 mm	1 Pc
PTUPSQ-6630	3000 mm	6 mm	1 Pc
PTUPSQ-88	2168 mm	8 mm	1 Pc
PTUPSQ-8830	3000 mm	8 mm	1 Pc



V-SHAPED GASKET

Material: PVC
Colour: Embossed



Art.	Length	Qty
PTUPSQGUAV	2178 mm	1 Pc



PTUPSQ WALL/GLASS MOUNTING ACCESSORIES KIT

Finish: /15 /R2

Art.	Qty
PTUPSQACCM	1 Pc



PTUPSQ GLASS/GLASS MOUNTING ACCESSORIES KIT

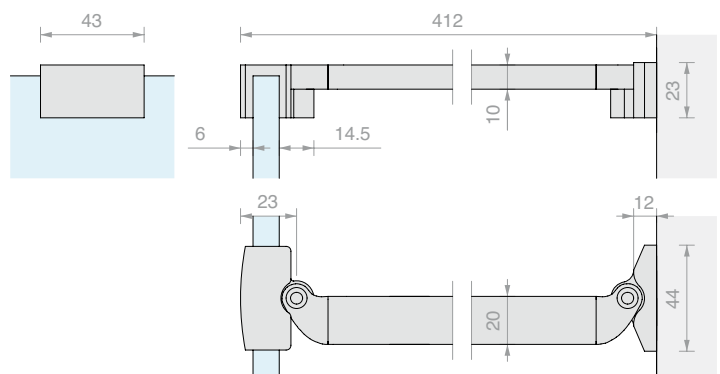
Finish: /15 /R2

Art.	Qty
PTUPSQACCV	1 Pc



WALL/GLASS STABILIZER BAR WITH DOUBLE JOINT

Material: aluminium bar, Zamak accessories
Finish: /1



Art.	For glass	Qty
MF350	From 6 to 8 mm	1 Pc



CHD SERIES

CER SERIES

PIVOT SHOWER KIT

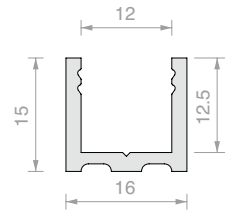
PIVOT SHOWER



PBD3183 U-SHAPED PROFILE

Material: Aluminium

Finish: /6 /88 /91 /97



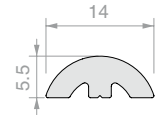
Art.	Length	Qty
PBD3183.150	1498 mm	1 Pc
PBD3183.220	2200 mm	1 Pc
PBD3183	3000 mm	1 Pc



SQ WATER BARRIER PROFILE

Material: Aluminium

Finish: /6 /91



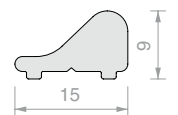
Art.	Length	Qty
PTUPSQD	1000 mm	1 Pc



UP WATER BARRIER PROFILE

Material: Aluminium

Finish: /91



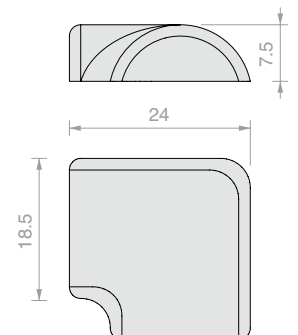
Art.	Length	Qty
PTUP26	2000 mm	1 Pc



CORNER PROFILE FOR SQ WATER BARRIER

Material: Zamak

Finish: /91 /R2



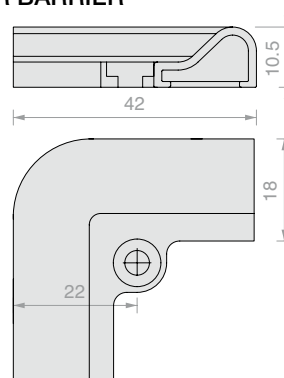
Art.	Qty
PTUPSQANG	1 Pc



CORNER PROFILE FOR UP WATER BARRIER

Material: Plastic

Finish: /1



Art.	Q.ty
PTUP30	1 Pc

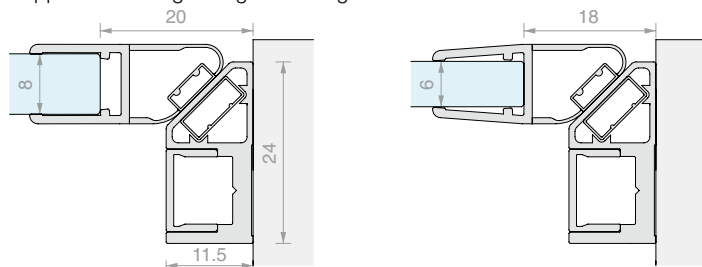


MAGNETIC 45° DOOR STRIKER PROFILE WITH COVER

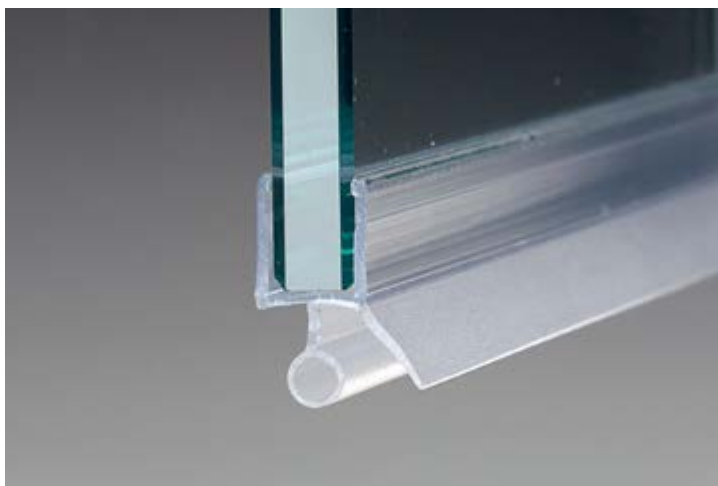
Material: Aluminium, magnet

Finish: /6 /88 /91 /97

Supplied with magnetic gasket for glass thickness 6–8 mm



Art.	Length	Qty
BT3322	2200 mm	1 Pc
BT3325	2500 mm	1 Pc

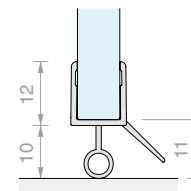


GASKET WITH BALLOON WATER BARRIER AND DRIP FLAP

Material: Co-extruded rigid and soft PVC

Maximum operating temperature 70°C

Colour: transparent, embossed lip and balloon



Art.	Length	For glass	Qty
GM6010	1000 mm	From 6 to 8 mm	1 Pc
GM6020	2000 mm	From 6 to 8 mm	1 Pc
GM6025	2500 mm	From 6 to 8 mm	1 Pc
GM6030	3000 mm	From 6 to 8 mm	1 Pc

GLASS HOLDER GASKET

Material: PVC



Art.	Thickness	Colour	1 m
GTUP2	2 mm	Transparent	1 Pc
GTUP3	3 mm	Transparent	1 Pc
GTUP4	4 mm	Transparent	1 Pc
GTUP5	5 mm	Transparent	1 Pc
GTUP6	6 mm	Transparent	1 Pc
GTUP2G	2 mm	Embossed	1 Pc
GTUP3G	3 mm	Embossed	1 Pc
GTUP4G	4 mm	Embossed	1 Pc
GTUP5G	5 mm	Embossed	1 Pc
GTUP6G	6 mm	Embossed	1 Pc
GTUP2N	2 mm	Black	1 Pc
GTUP3N	3 mm	Black	1 Pc
GTUP4N	4 mm	Black	1 Pc
GTUP5N	5 mm	Black	1 Pc
GTUP6N	6 mm	Black	1 Pc



CHD SERIES

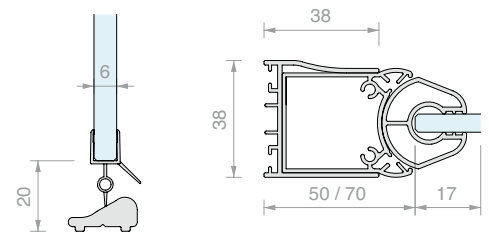
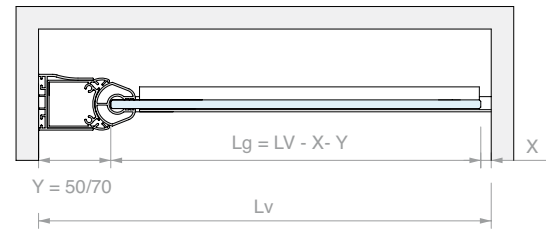
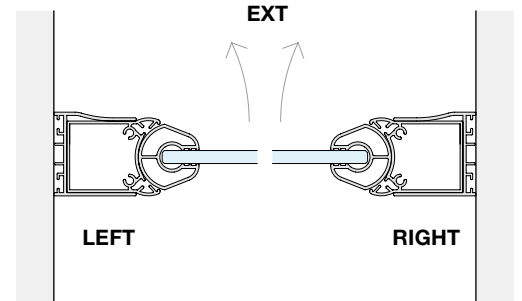
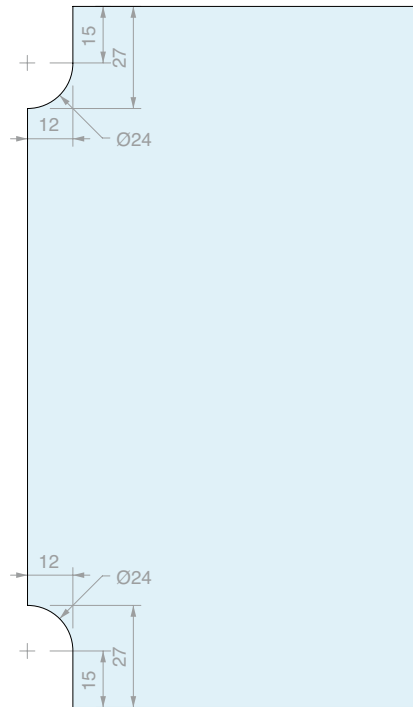
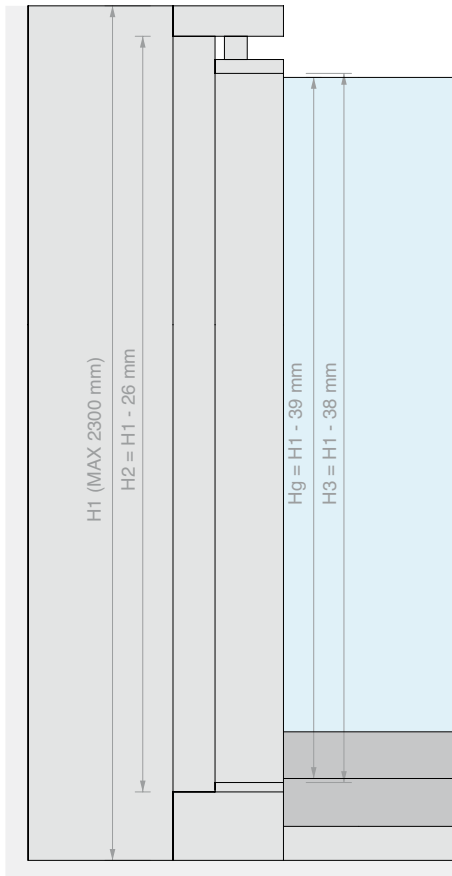
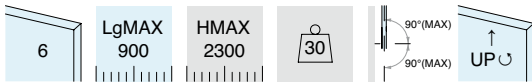
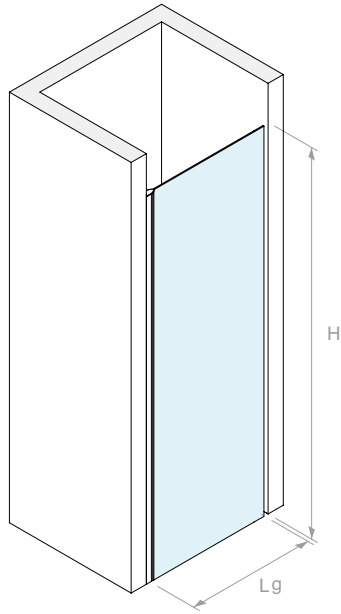
CER SERIES

PIVOT SHOWER KIT

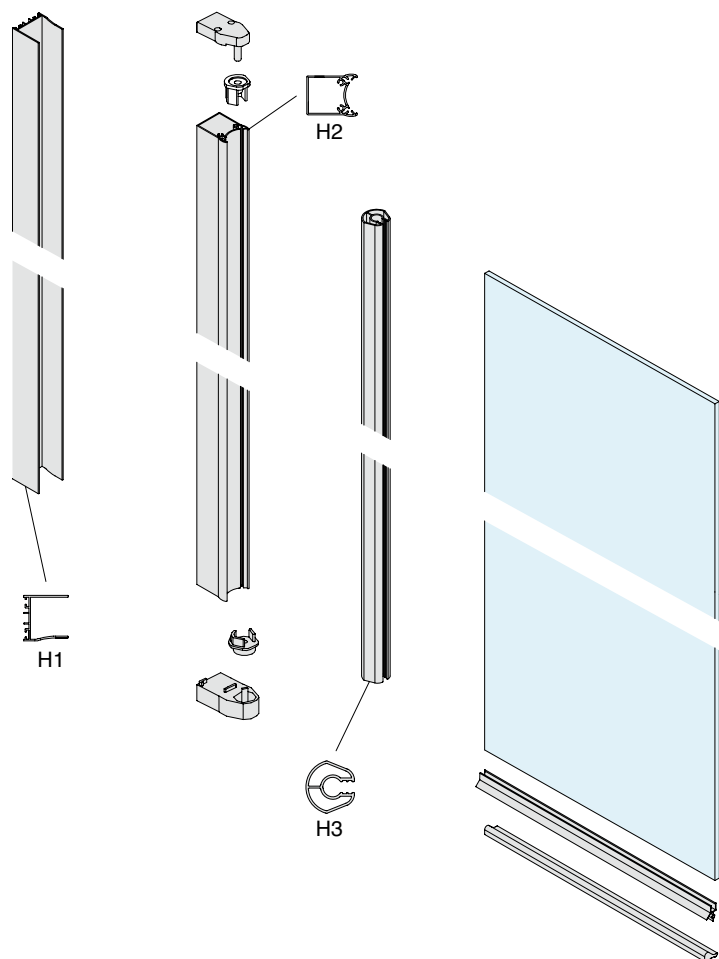
PIVOT SHOWER

WALL/WALL PIVOT-UP 2261 SHOWER KIT

Finish: /91



Art.	Description	Qty
PTUP2261-SX	Left	1 Pc
PTUP2261-DX	Right	1 Pc





CHD SERIES

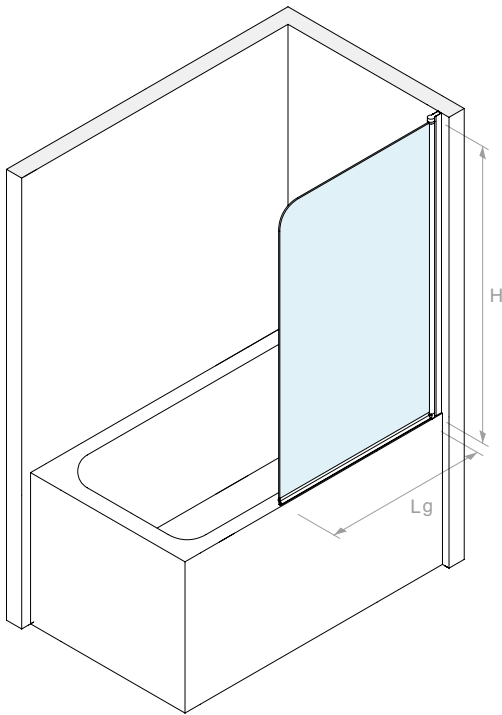
CER SERIES

PIVOT SHOWER KIT

PIVOT SHOWER

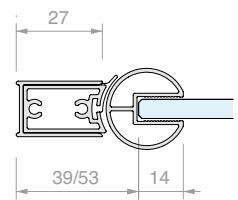
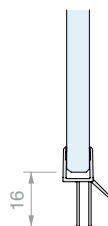
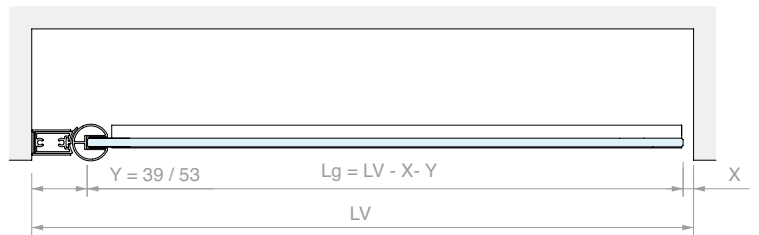
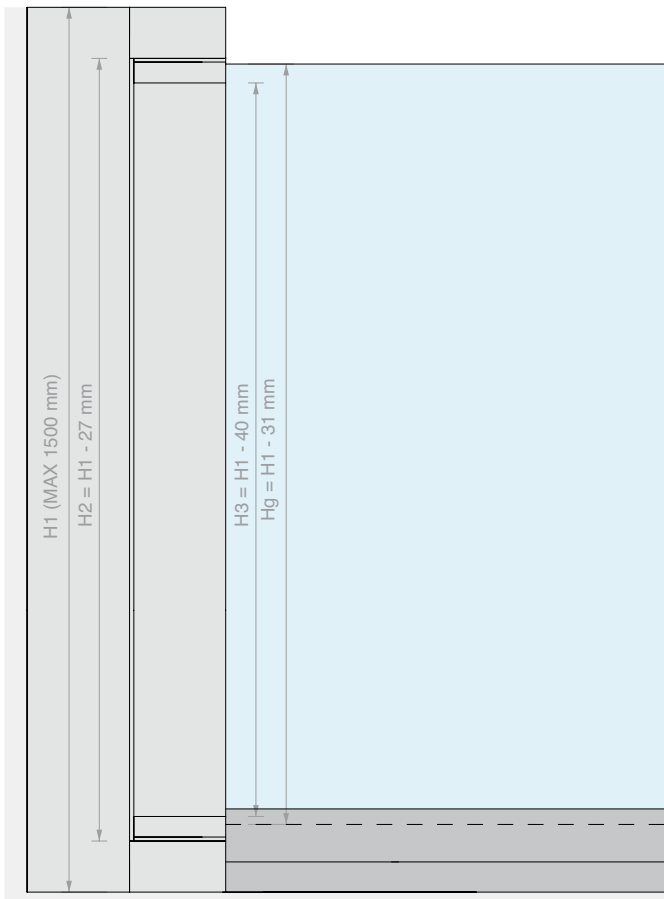
FULL-HEIGHT HINGE FOR BATHTUB EDGE

Finish: /91



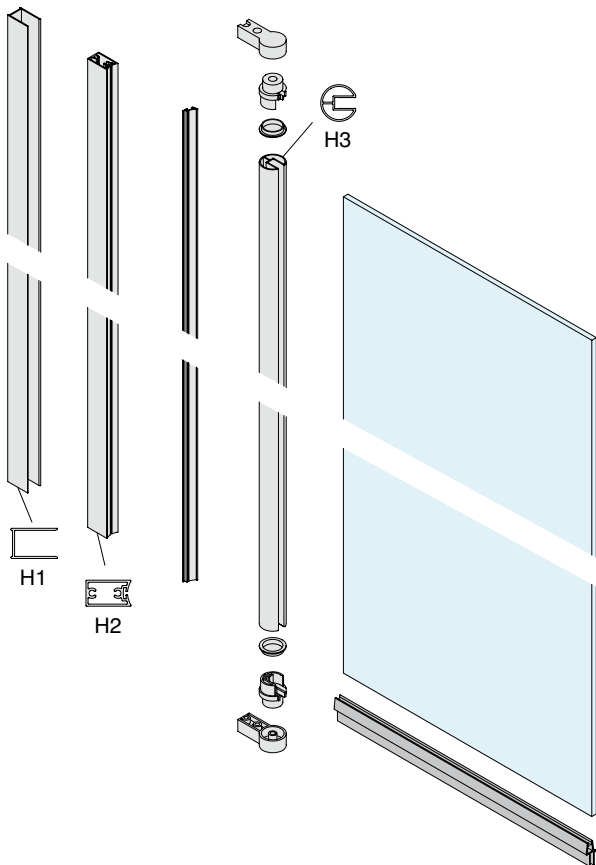
LgMAX
800

HMAX
1500



Art.
PTBH1964

Qty
1 Pc





CHD SERIES

CER SERIES

PIVOT SHOWER KIT

PIVOT SHOWER



WALL/GLASS ADJUSTABLE SIDE HINGE UV BONDING

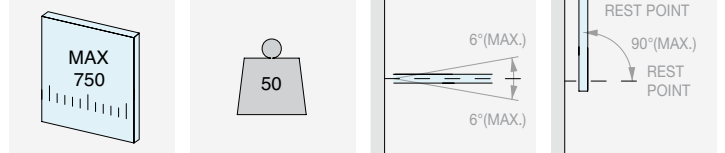
Material: AISI 316 stainless steel

Finish: /8 /15

Recommended adhesive: Float/Tempered/Laminated

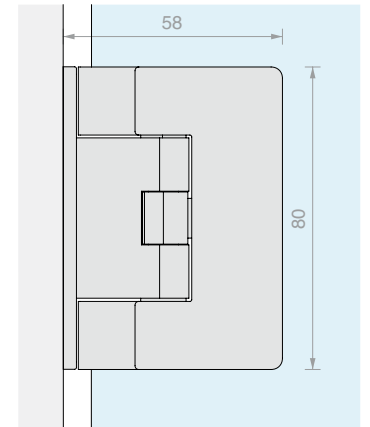
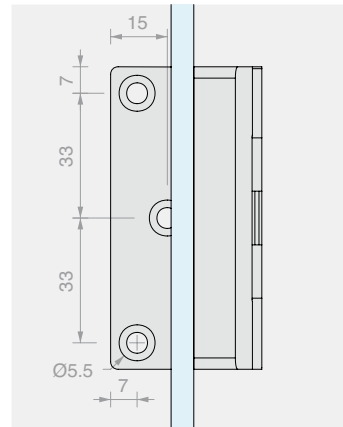
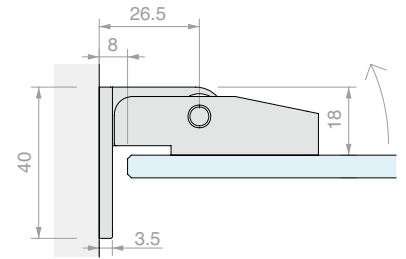
FIXGLASS UV 621

FIXGLASS UV 973/973 GEL (for high-humidity environments)



±6° ADJUSTMENT

+90° ROTATION



Art.	For glass	Qty
CER700UV	From 8 mm	1 Pc



**GLASS/GLASS ADJUSTABLE IN-LINE HINGE
UV BONDING**

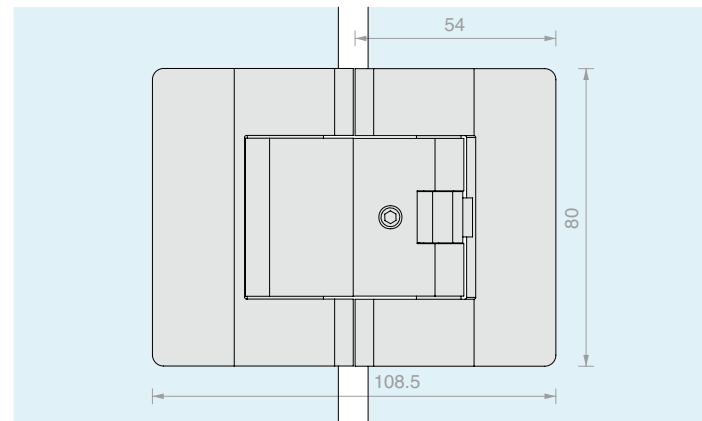
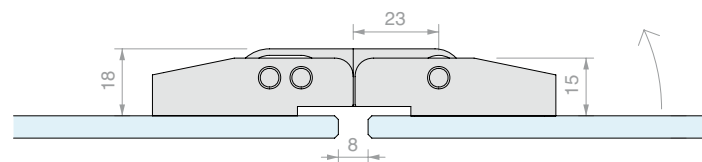
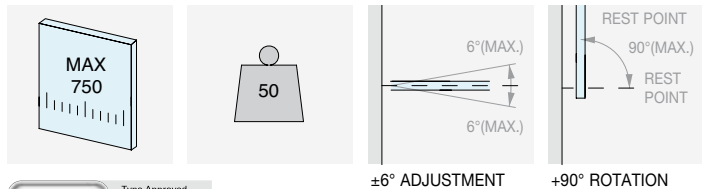
Material: AISI 316 stainless steel

Finish: /8 /15

Recommended adhesive: Float/Tempered/Laminated

FIXGLASS UV 621

FIXGLASS UV 973/973 GEL (for high-humidity environments)



Art.	For glass	Qty
CER720UV	From 8 mm	1 Pc



CHD SERIES

CER SERIES

PIVOT SHOWER KIT

PIVOT SHOWER

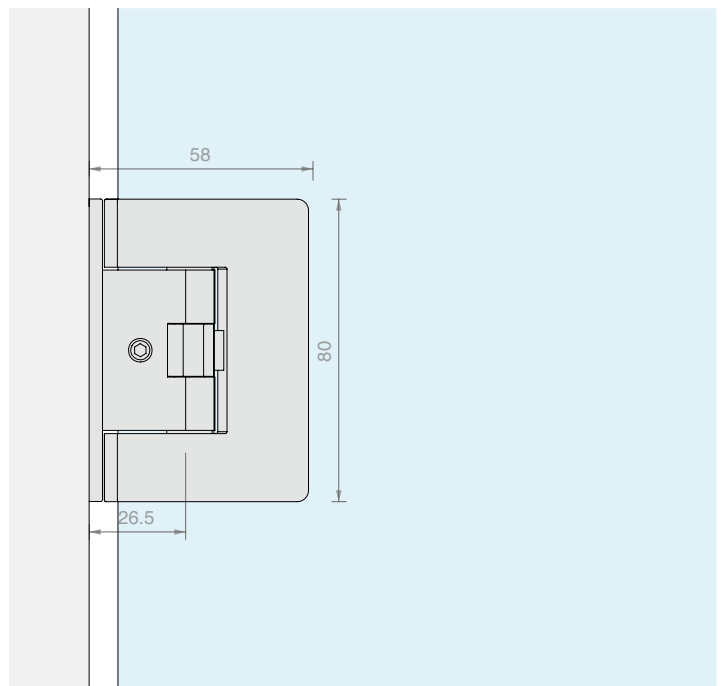
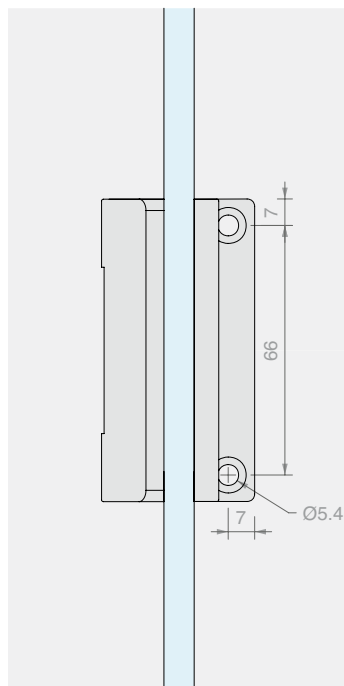
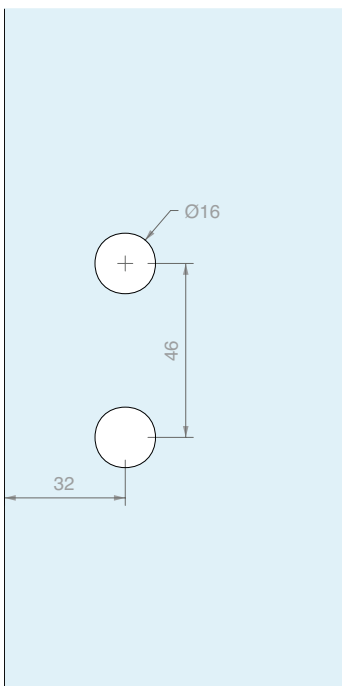
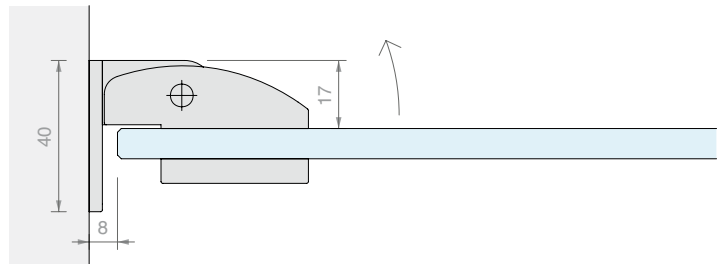
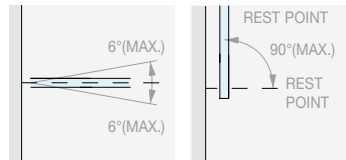
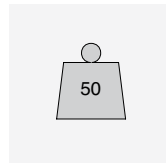
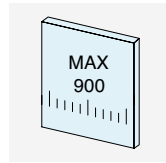
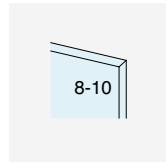
ACCESSORIES FOR SHOWER PARTITIONS



WALL/GLASS ADJUSTABLE SIDE HINGE WITH PULL OPENING

Material: Brass

Finish: /1 /3



Art. **CER700**

For glass
From 8 to 10 mm

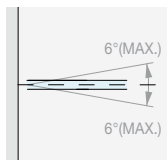
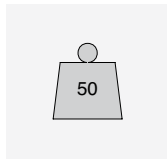
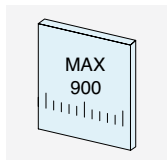
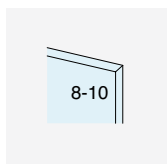
Qty
1 Pc



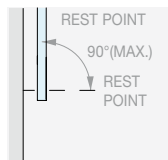
GLASS/GLASS ADJUSTABLE IN-LINE HINGE WITH PULL OPENING

Material: Brass

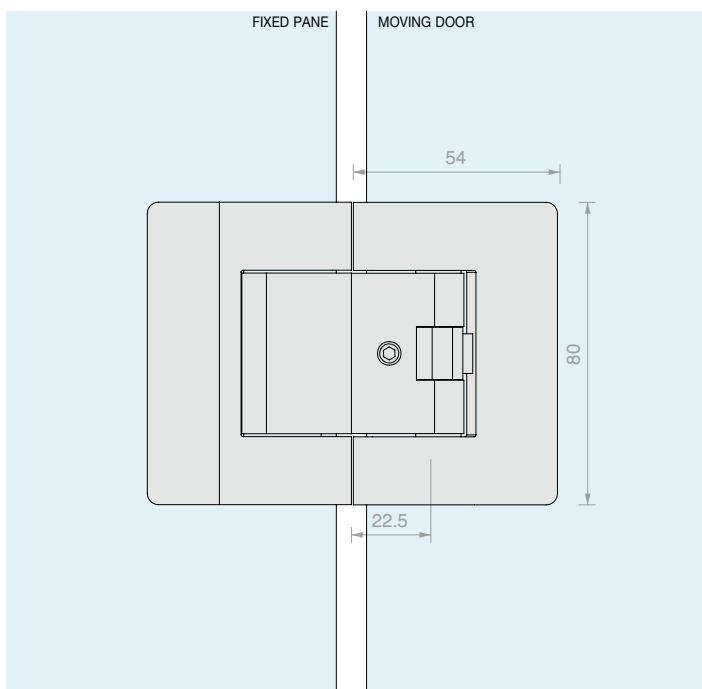
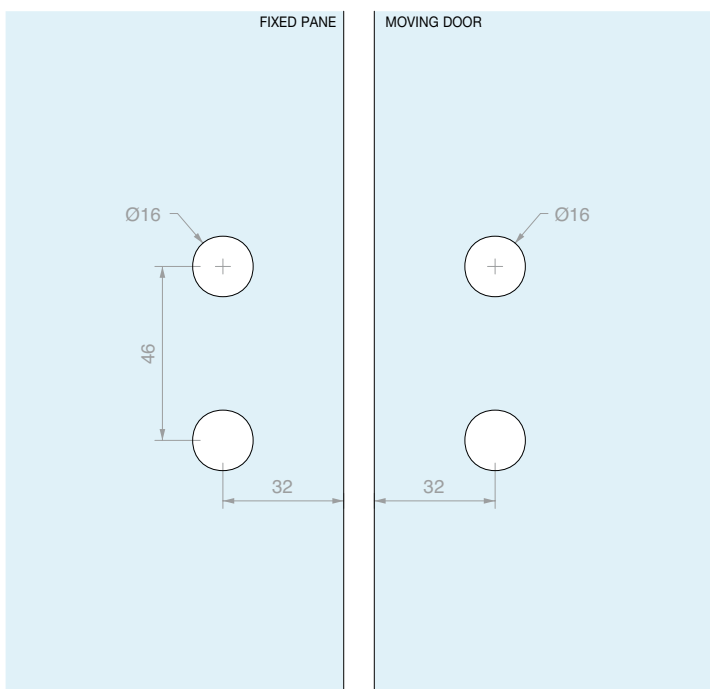
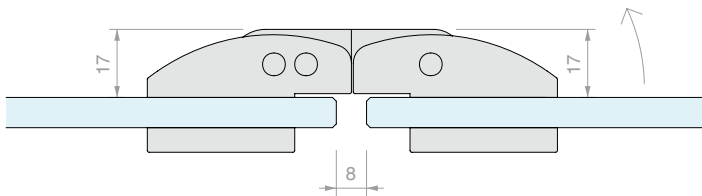
Finish: /1 /3



±6° ADJUSTMENT



+90° ROTATION



Art. **CER720**

For glass
From 8 to 10 mm

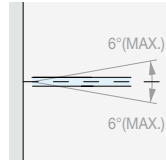
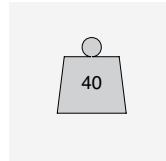
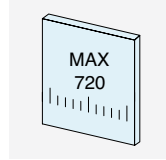
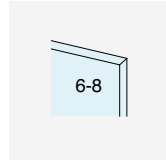
Qty
1 Pc



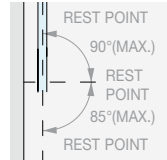
WALL/GLASS ADJUSTABLE SIDE HINGE

Material: Brass

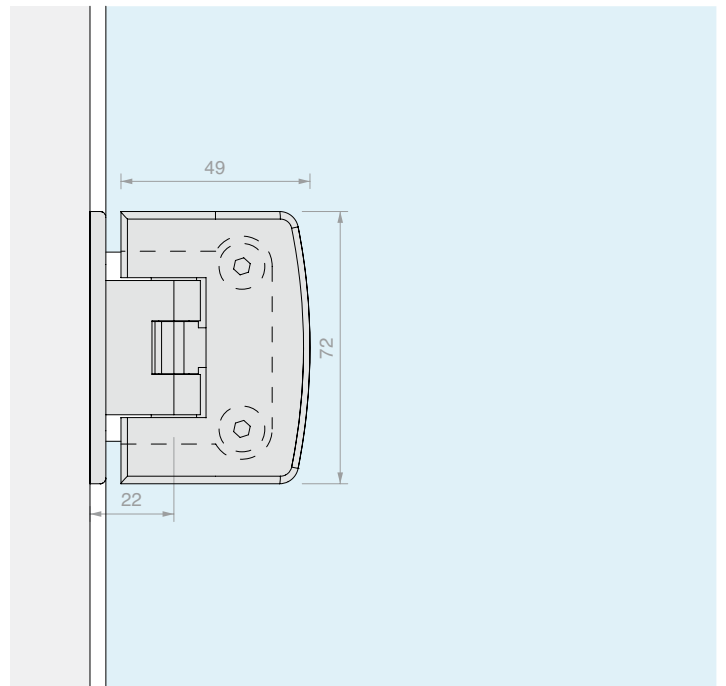
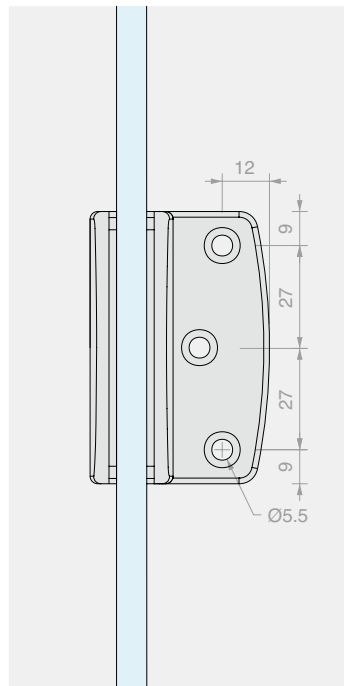
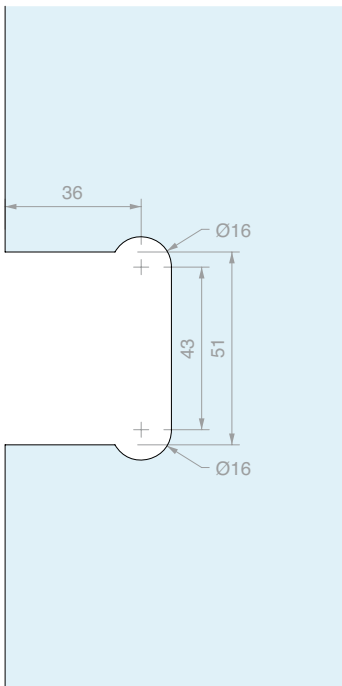
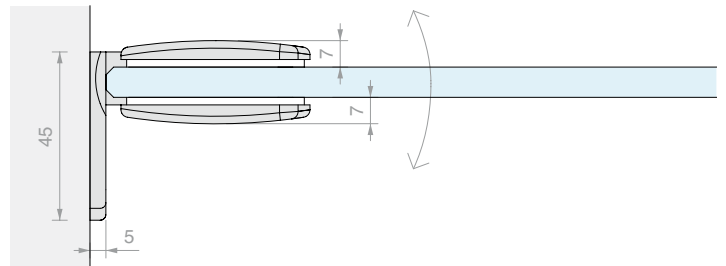
Finish: /1 /24



±6° ADJUSTMENT



+90° -85° ROTATION



Art. **S150**

For glass
From 6 to 8 mm

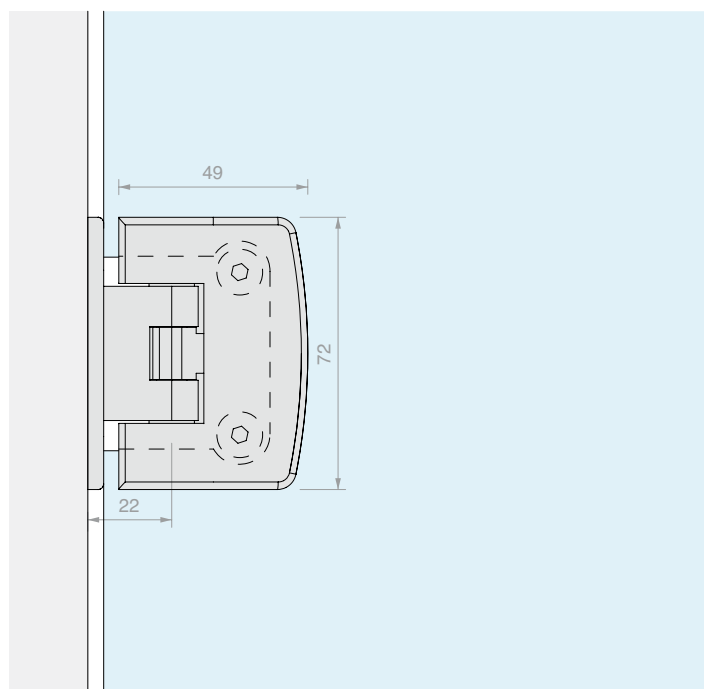
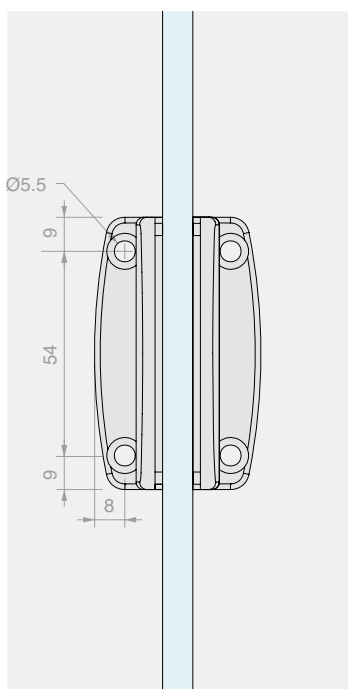
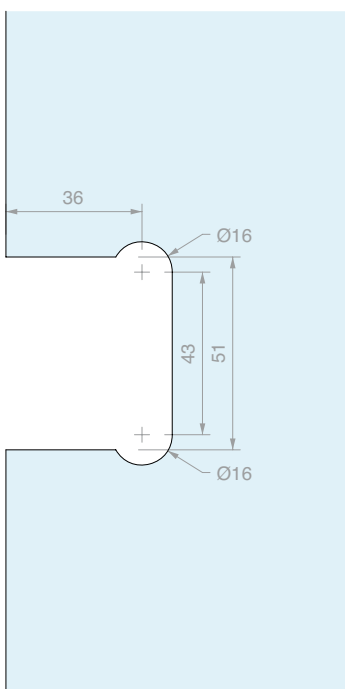
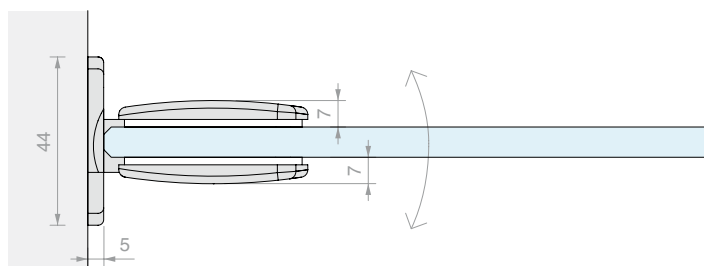
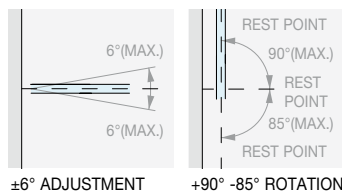
Qty
1 Pc



WALL/GLASS CENTRAL ADJUSTABLE HINGE

Material: Brass

Finish: /1 /24



Art. **S153** For glass From 6 to 8 mm

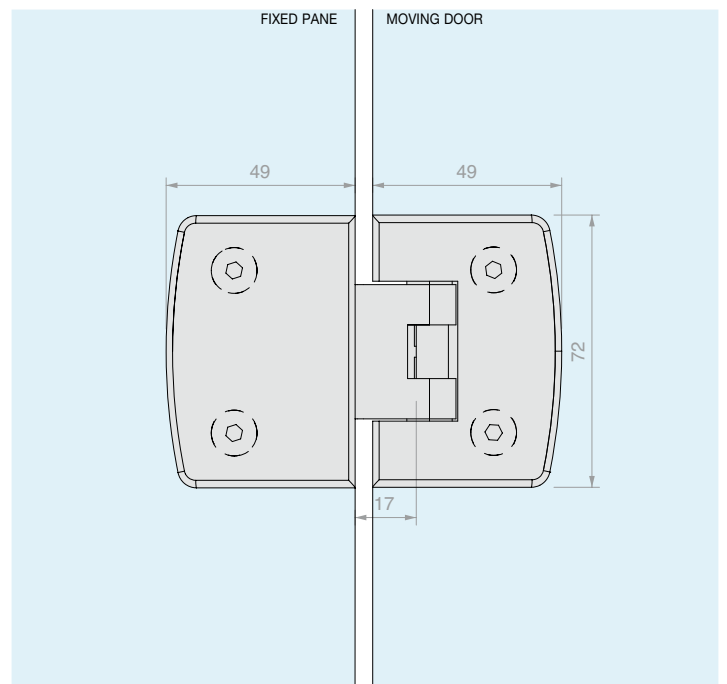
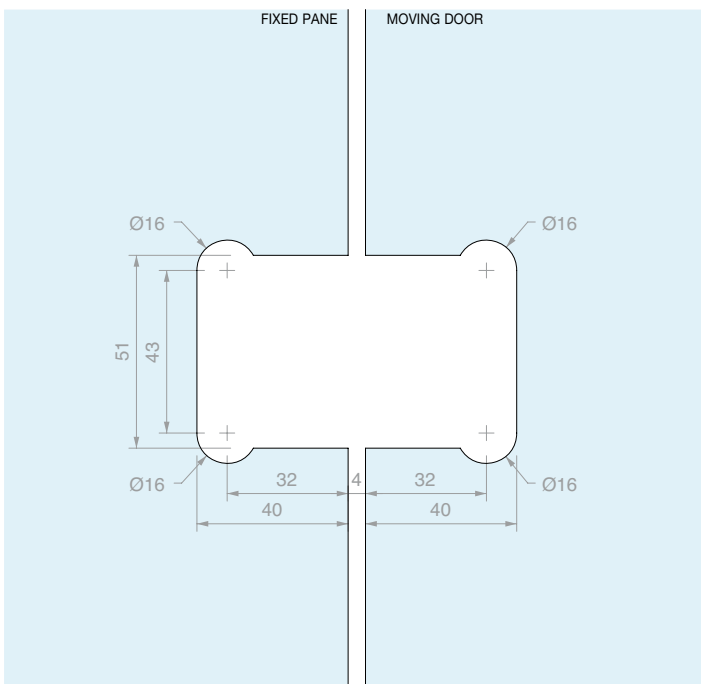
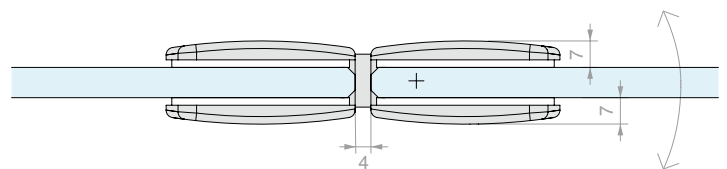
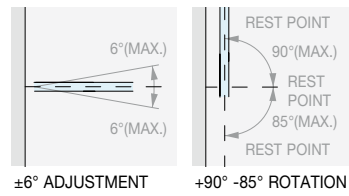
Qty 1 Pc



GLASS/GLASS ADJUSTABLE IN-LINE HINGE

Material: Brass

Finish: /1 /24



Art. **S1180**

For glass
From 6 to 8 mm

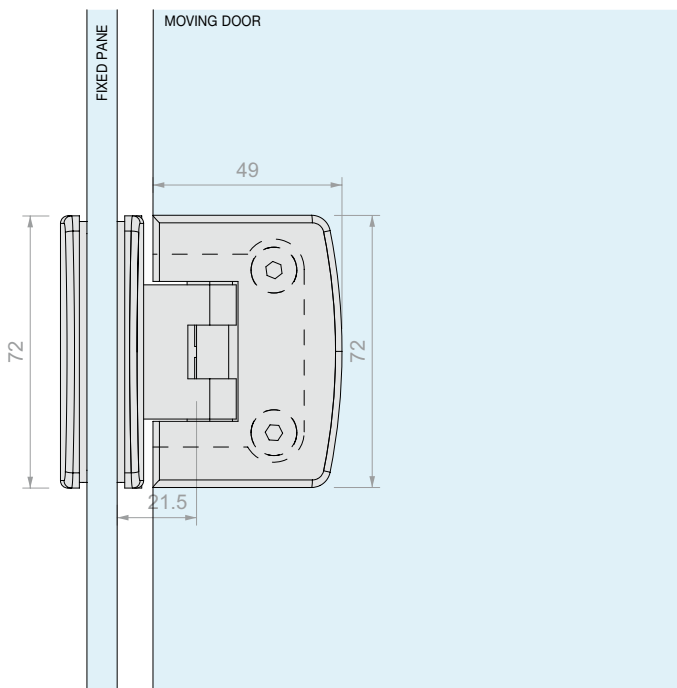
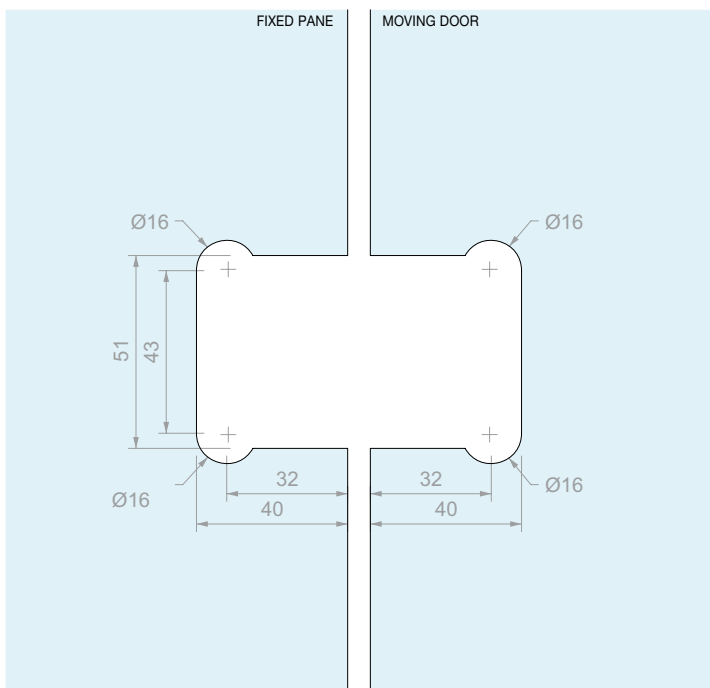
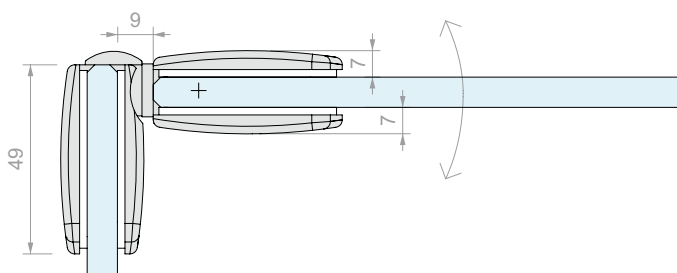
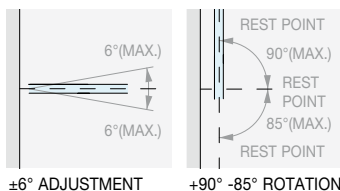
Qty
1 Pc



90° GLASS/GLASS ADJUSTABLE HINGE

Material: Brass

Finish: /1 /24



Art. **S190** For glass From 6 to 8 mm

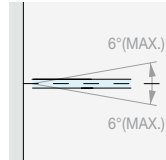
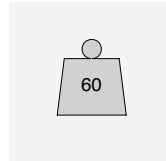
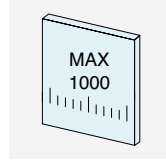
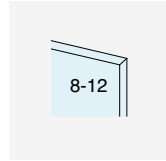
Qty 1 Pc



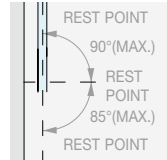
WALL/GLASS ADJUSTABLE SIDE HINGE

Material: Brass

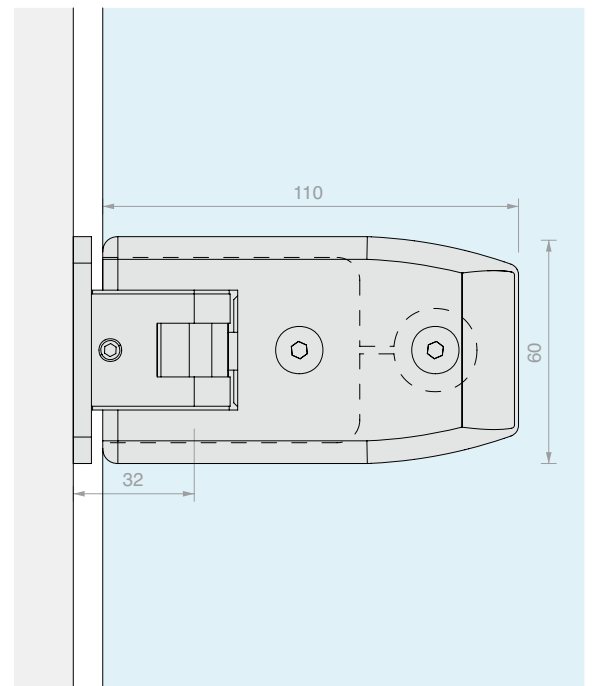
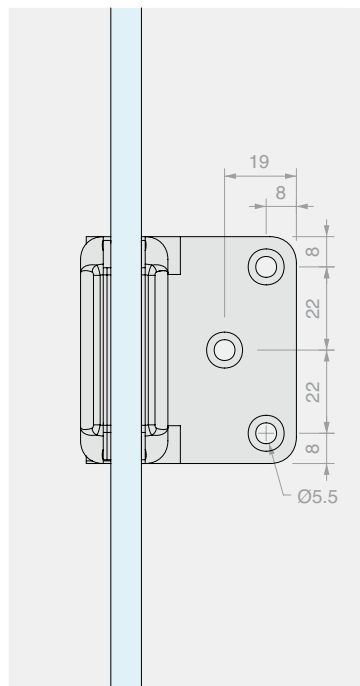
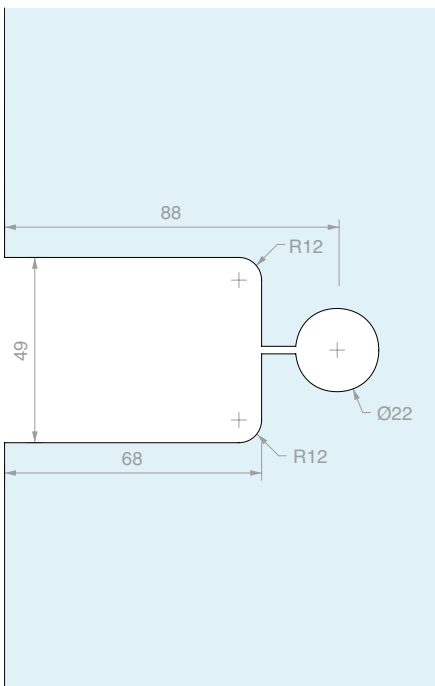
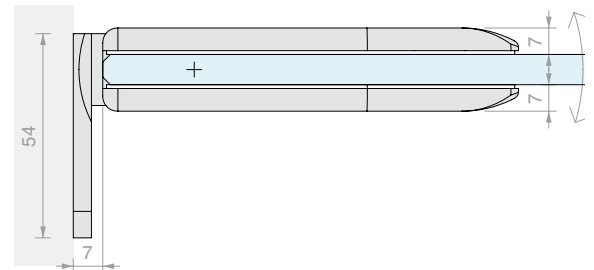
Finish: /1 /24



±6° ADJUSTMENT



+90° -85° ROTATION



Art. **S600**

For glass
From 8 to 12 mm

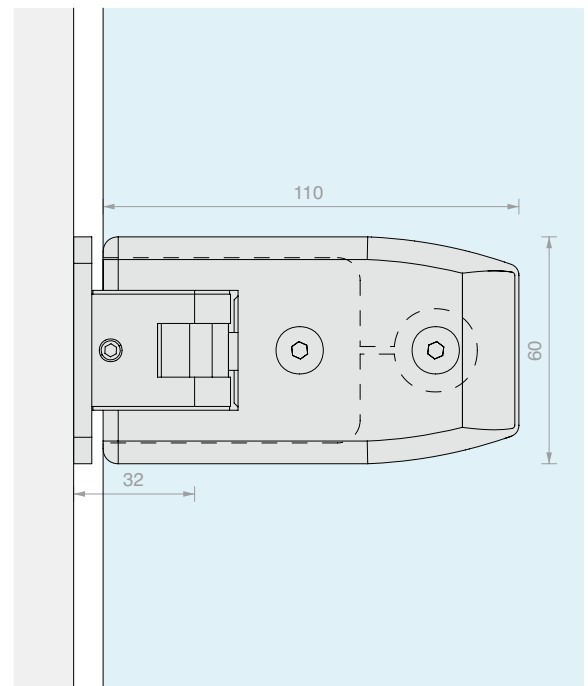
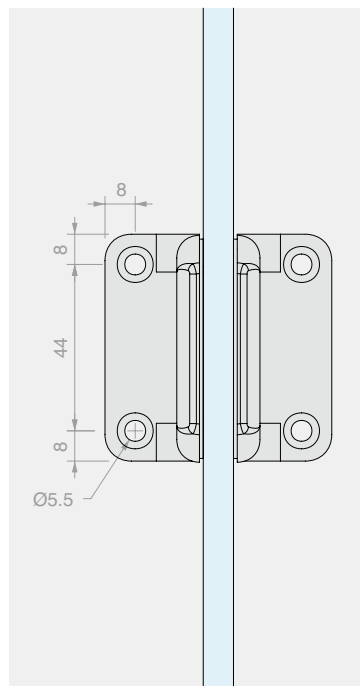
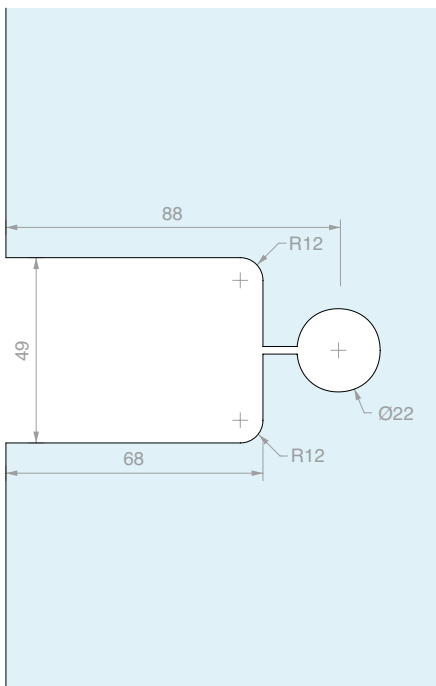
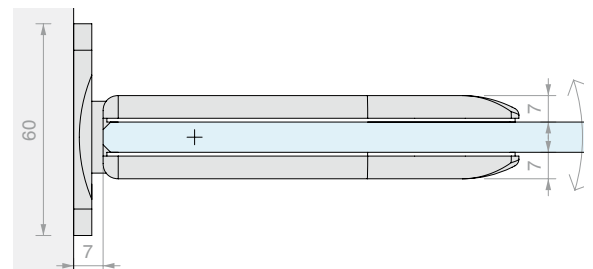
Qty
1 Pc



WALL/GLASS CENTRAL ADJUSTABLE HINGE

Material: Brass

Finish: /1 /24



Art. **S603** For glass
From 8 to 12 mm

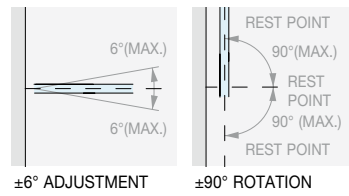
Qty
1 Pc



WALL/GLASS ADJUSTABLE SIDE HINGE

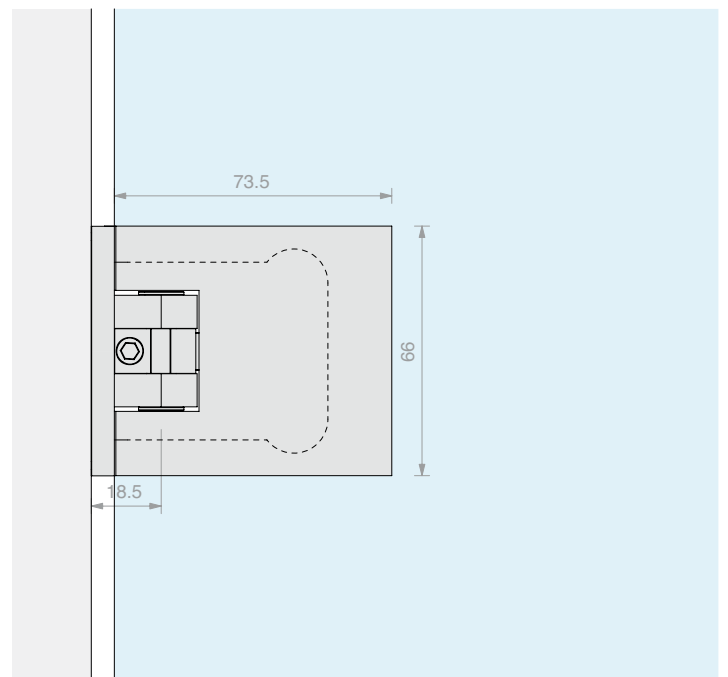
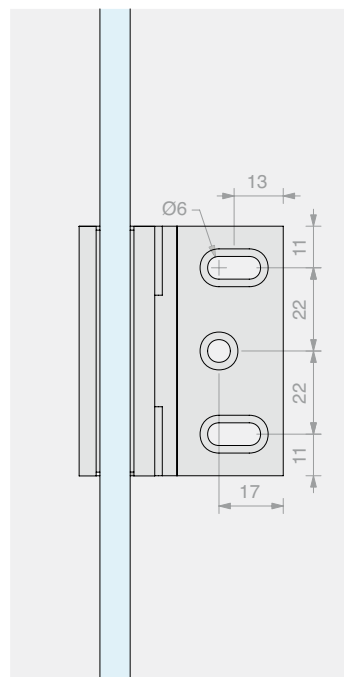
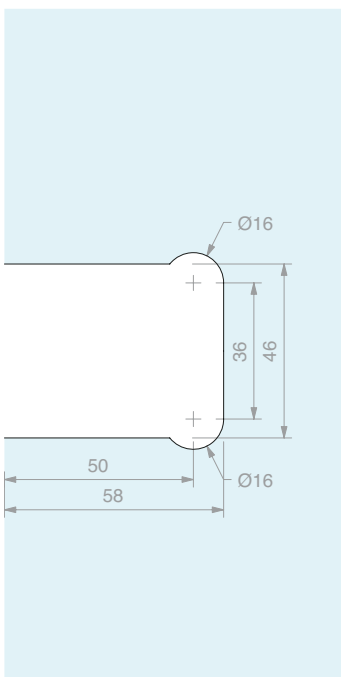
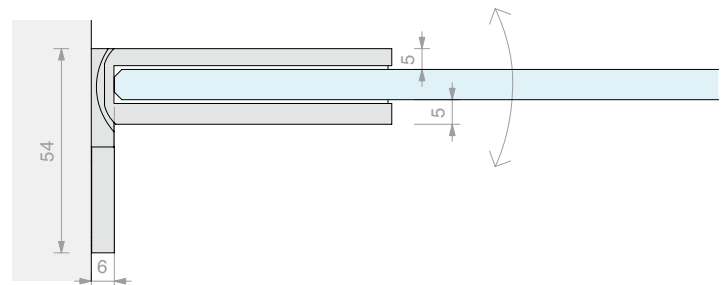
Material: Brass

Finish: /1 /24 /R2



±6° ADJUSTMENT

±90° ROTATION



Art. **CER800**

For glass
From 8 to 10 mm

Qty
1 Pc



GLASS/GLASS ADJUSTABLE IN-LINE HINGE

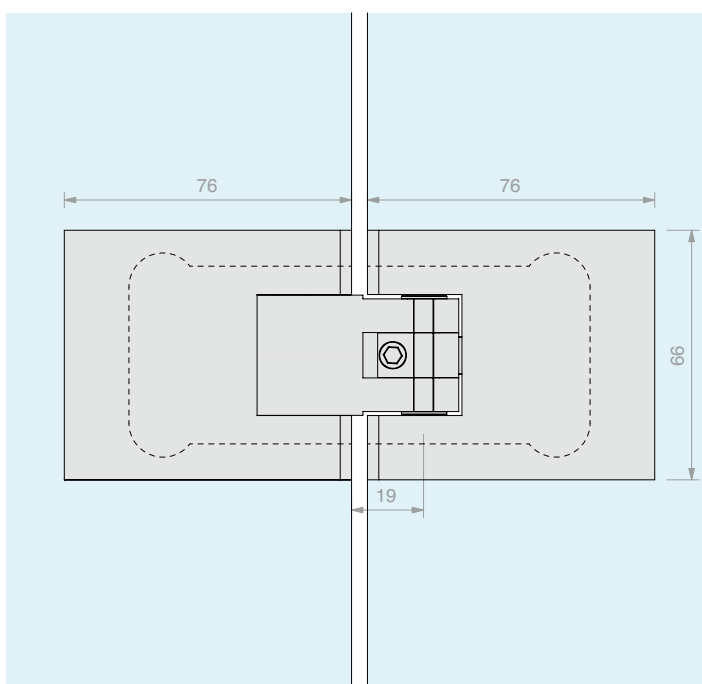
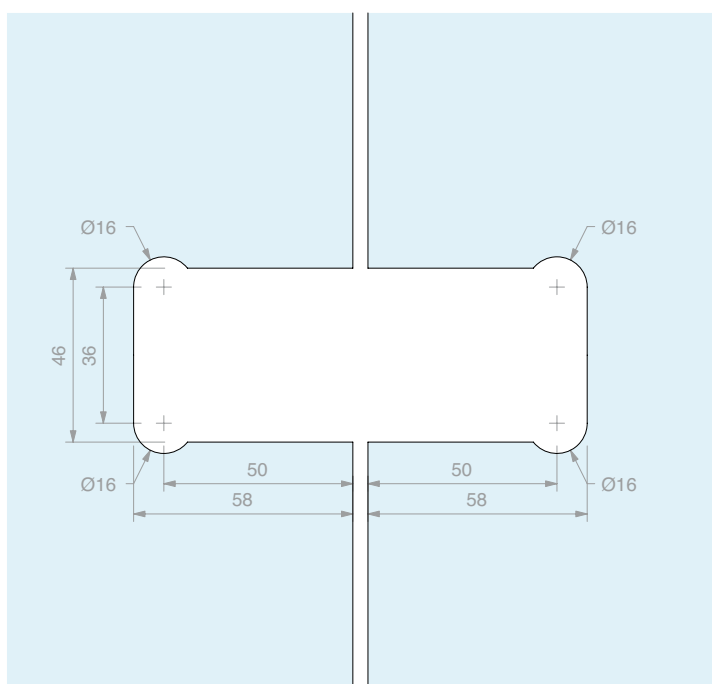
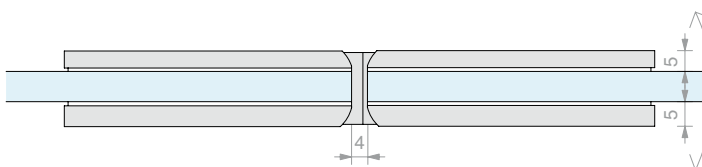
Material: Brass

Finish: /1 /24 /R2



±6° ADJUSTMENT

±90° ROTATION



Art.
CER880

For glass
From 8 to 12 mm

Qty
1 Pc



CHD SERIES

CER SERIES

PIVOT SHOWER KIT

PIVOT SHOWER

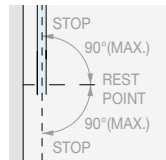
ACCESSORIES FOR SHOWER PARTITIONS



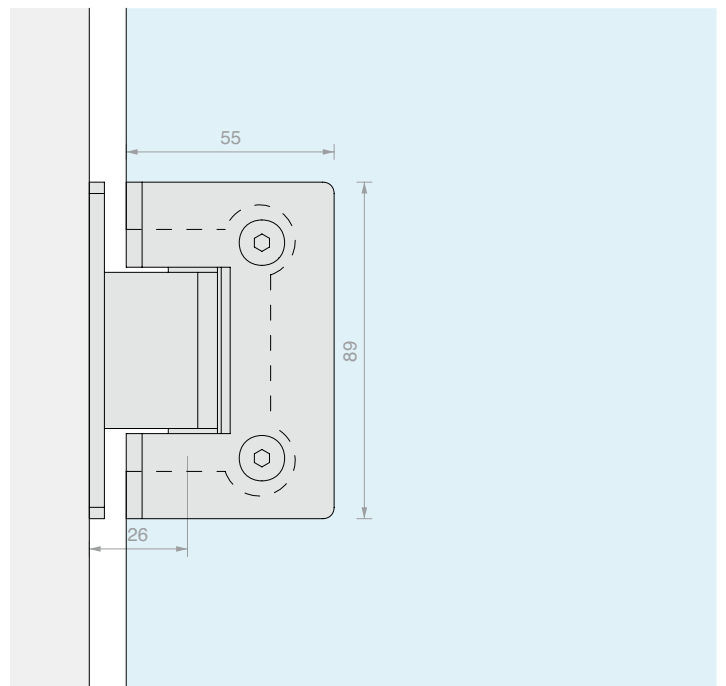
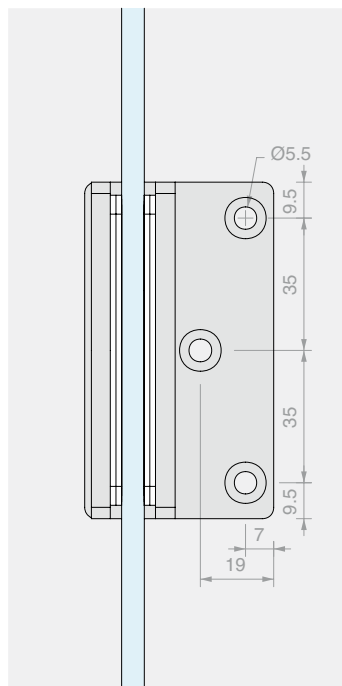
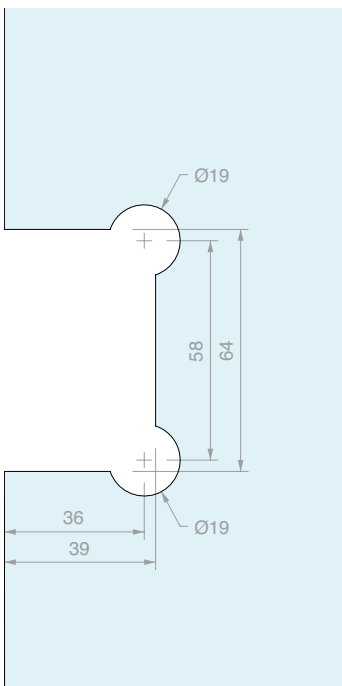
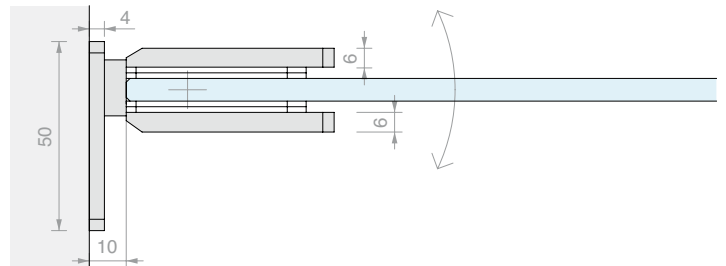
WALL/GLASS SIDE HINGE

Material: Zamak

Finish: /1 /24 /R2



±90° ROTATION



Art. **CERZ31**

For glass
From 6 to 10 mm

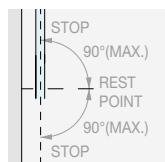
Qty
1 Pc



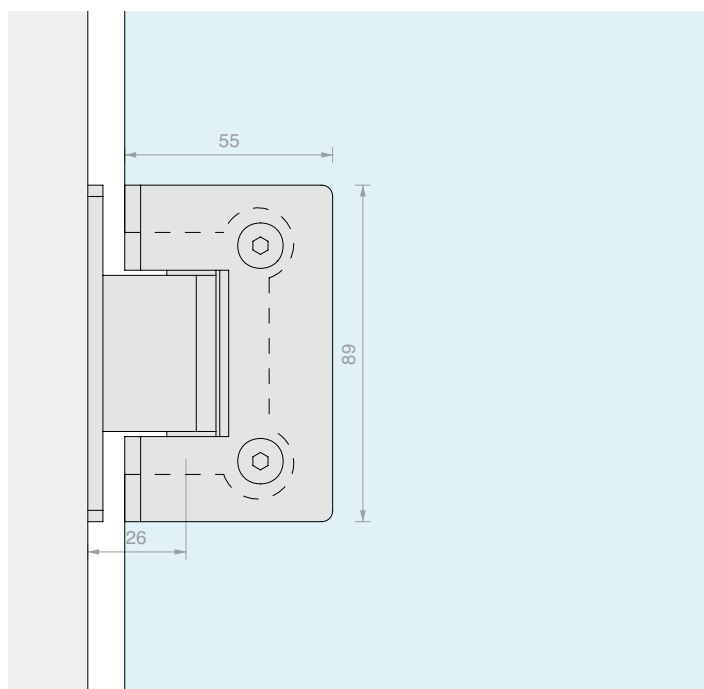
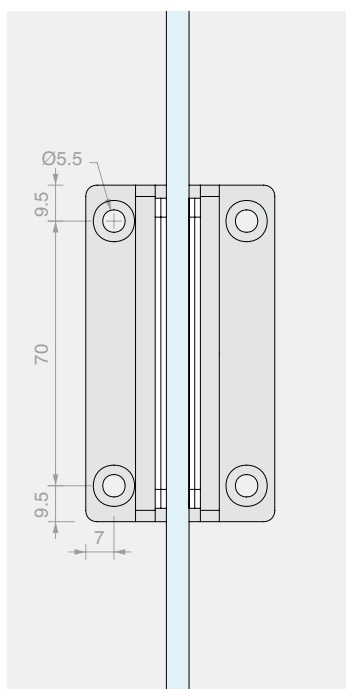
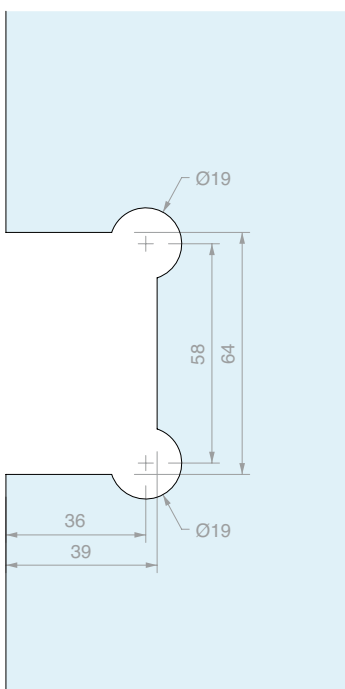
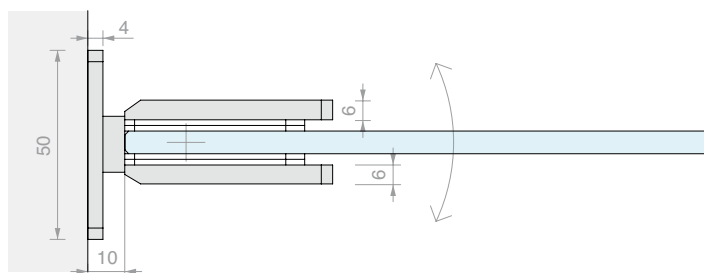
WALL/GLASS CENTRAL HINGE

Material: Zamak

Finish: /1 /24 /R2



±90° ROTATION



Art.
CERZ33

For glass
From 6 to 10 mm

Qty
1 Pc



CHD SERIES

CER SERIES

PIVOT SHOWER KIT

PIVOT SHOWER

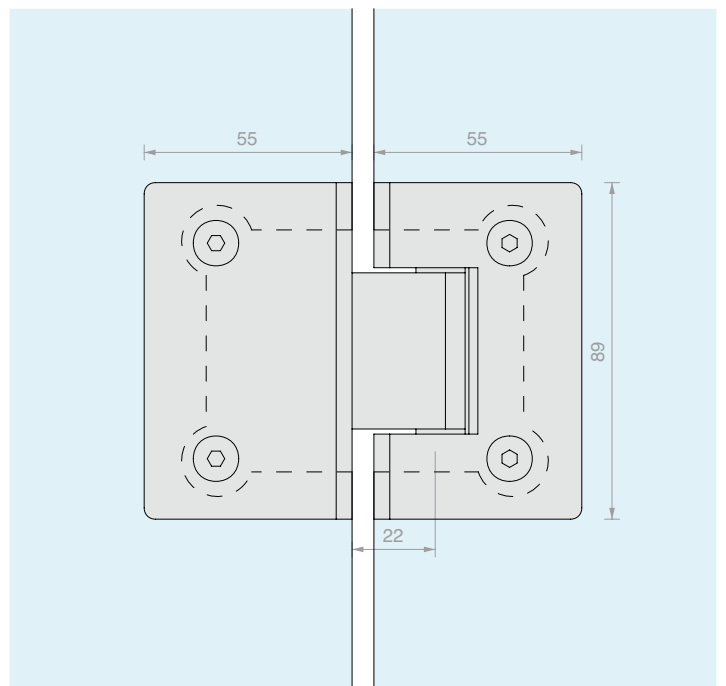
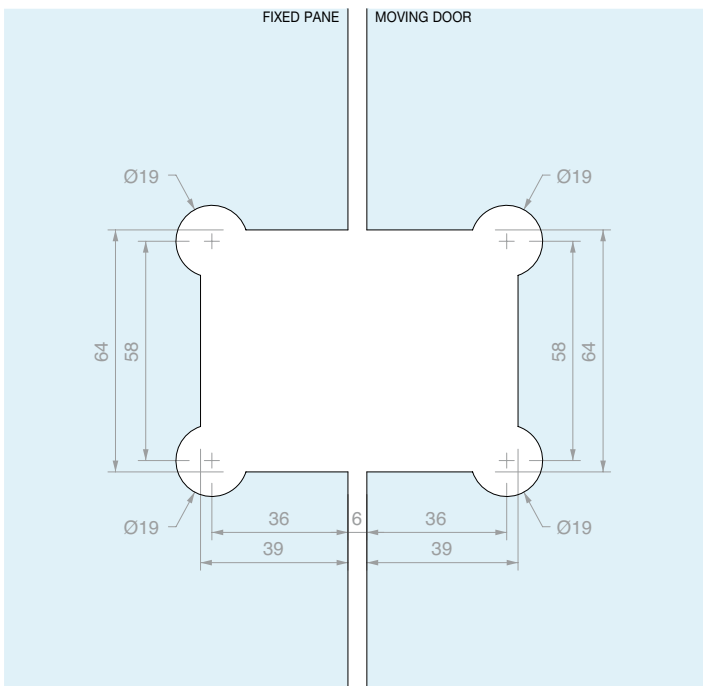
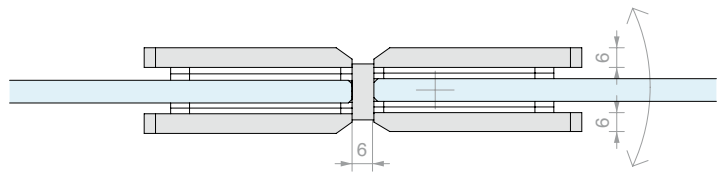
ACCESSORIES FOR SHOWER PARTITIONS



GLASS/GLASS IN-LINE HINGE

Material: Zamak

Finish: /1 /24 /R2



Art. **CERZ3180**

For glass
From 6 to 10 mm

Qty
1 Pc





CHD SERIES

CER SERIES

PIVOT SHOWER KIT

PIVOT SHOWER

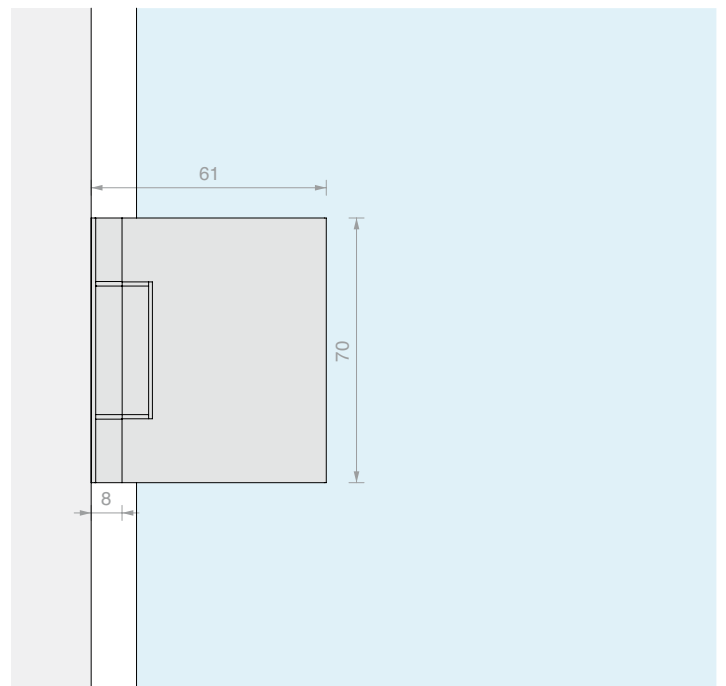
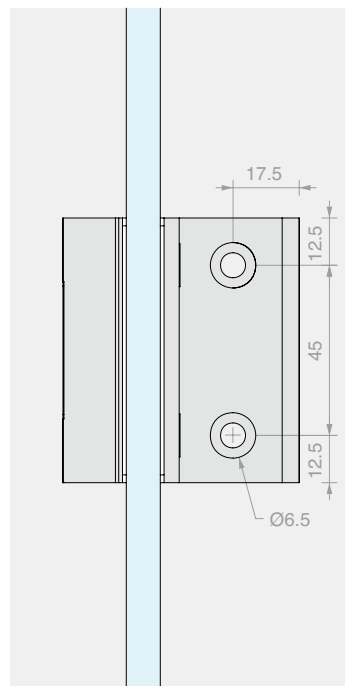
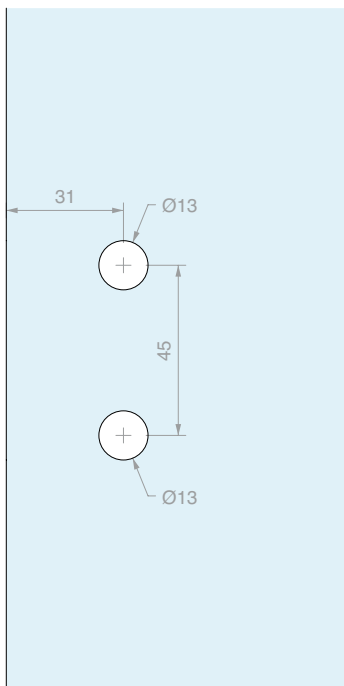
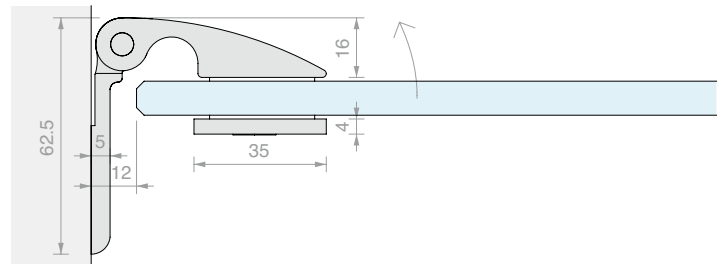
ACCESSORIES FOR SHOWER PARTITIONS



WALL/GLASS SIDE HINGE

Material: AISI 304 stainless steel

Finish: /8 /15



Art. **CBD500**

For glass
From 8 to 10 mm

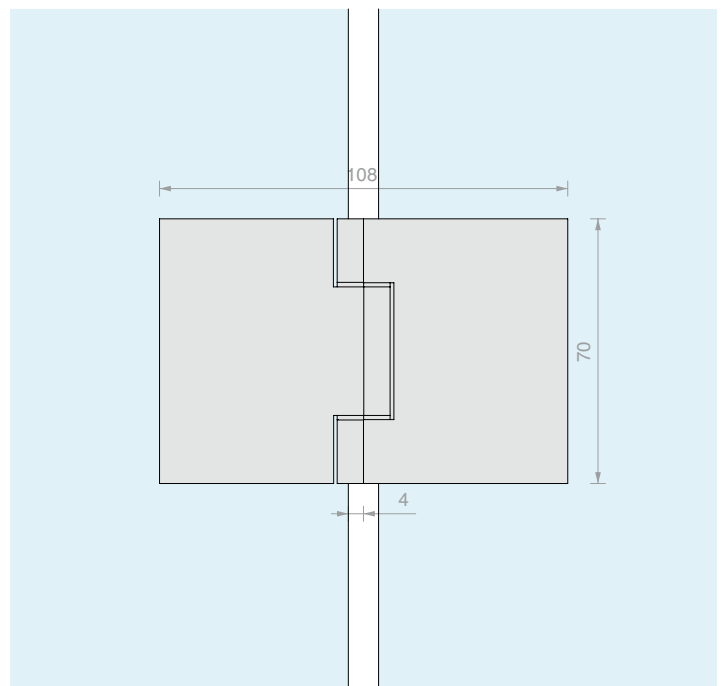
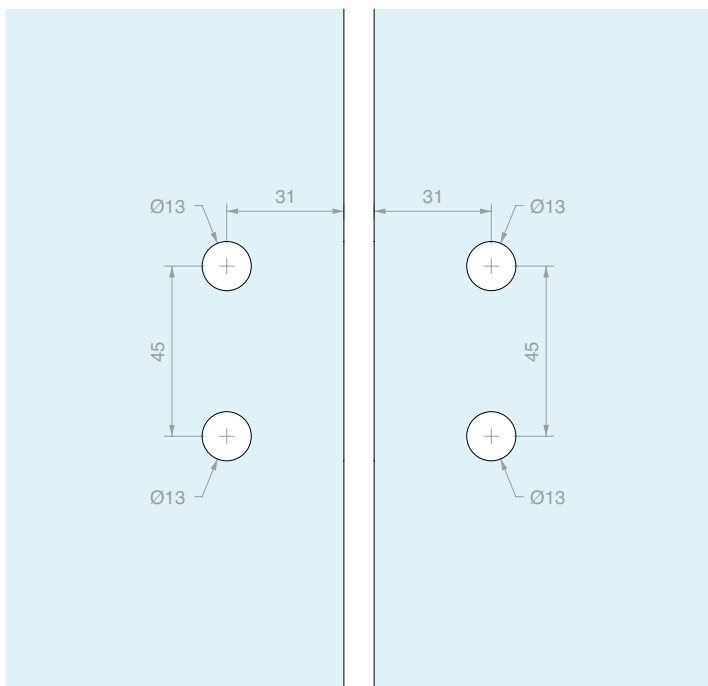
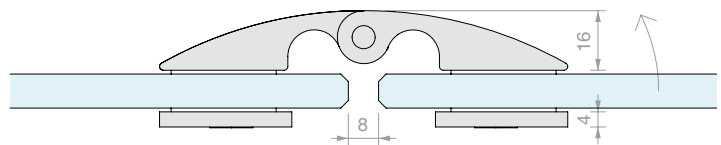
Qty
1 Pc



GLASS/GLASS IN-LINE HINGE

Material: AISI 304 stainless steel

Finish: /8 /15



Art.
CBD580

For glass
From 8 to 10 mm

Qty
1 Pc



CHD SERIES

CER SERIES

PIVOT SHOWER KIT

PIVOT SHOWER

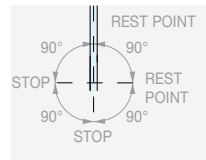
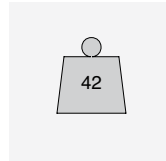
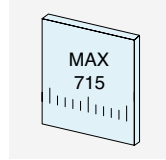
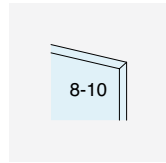
ACCESSORIES FOR SHOWER PARTITIONS



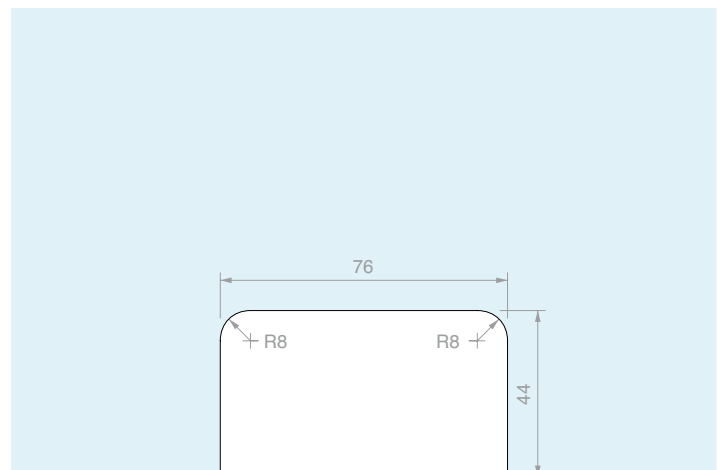
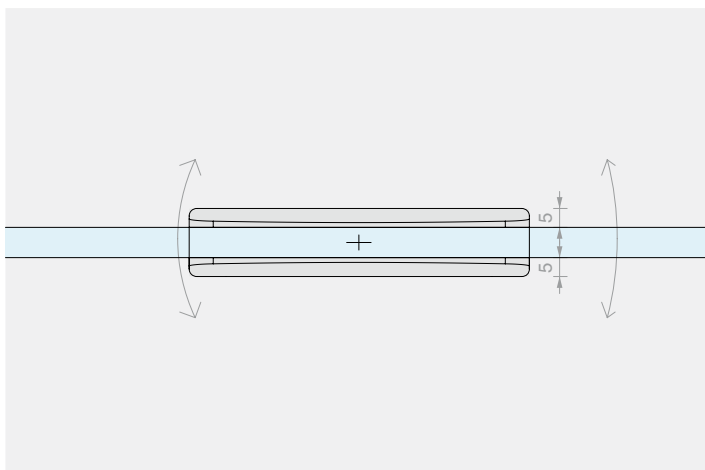
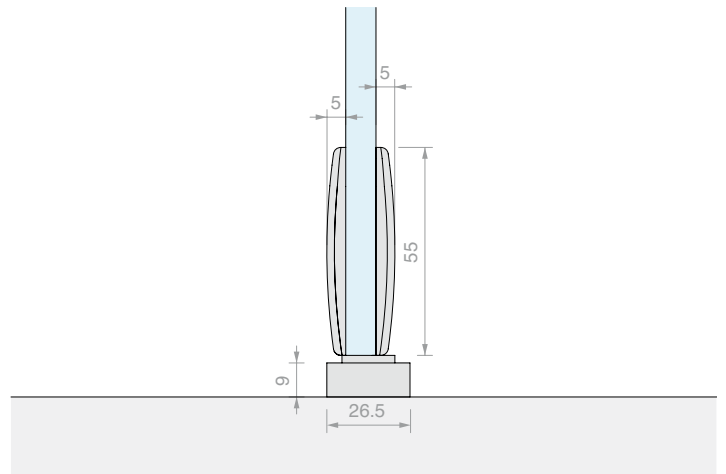
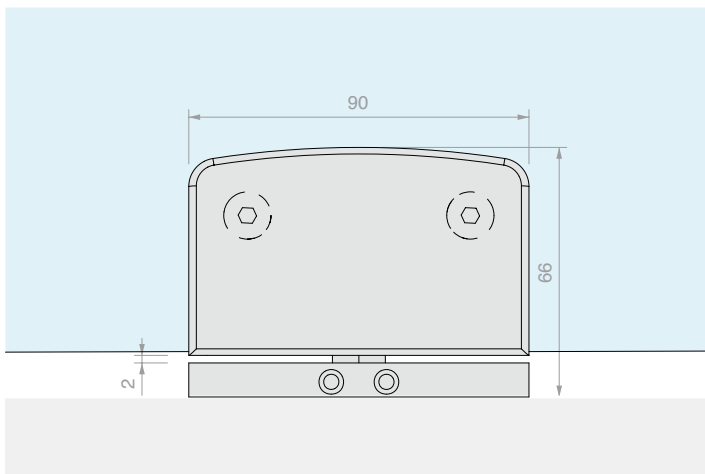
ADJUSTABLE PIVOT HINGE

Material: Brass

Finish: /1 /3



360° ROTATION



Art. **S4500** For glass From 8 to 10 mm

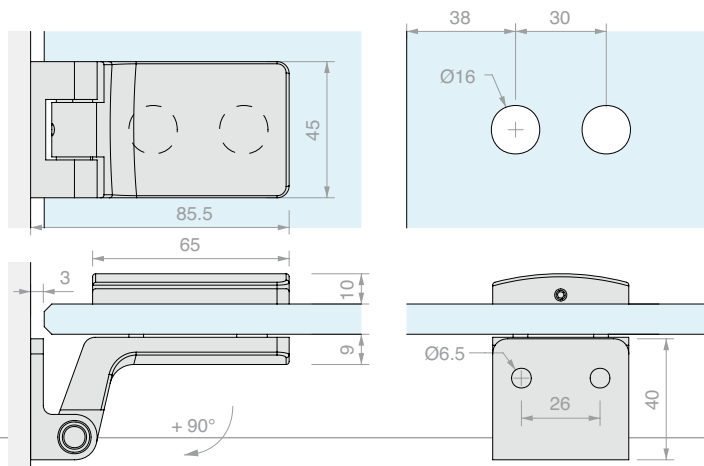
Qty 1 Pc



WALL/GLASS HINGE WITH NECK, OUTWARD OPENING

Material: Brass

Finish: /1



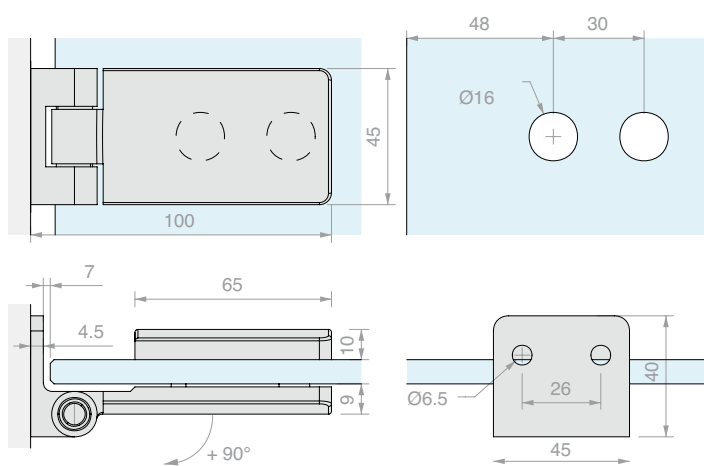
Art.	Max. load	Max. width	For glass	Qty
SFH100	50 kg	815 mm	From 8 to 10 mm	1 Pc



WALL/GLASS OUTWARD OPENING HINGE

Material: Brass

Finish: /1 /24



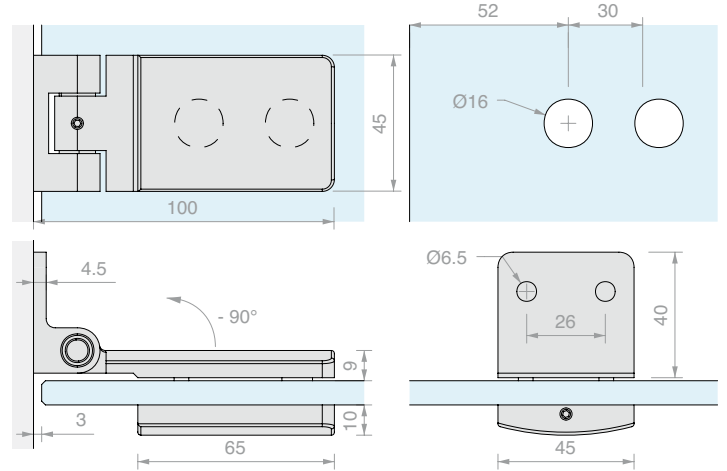
Art.	Max. load	Max. width	For glass	Qty
SFH101	50 kg	815 mm	From 8 to 10 mm	1 Pc



WALL/GLASS INWARD OPENING HINGE

Material: Brass

Finish: /1 /24



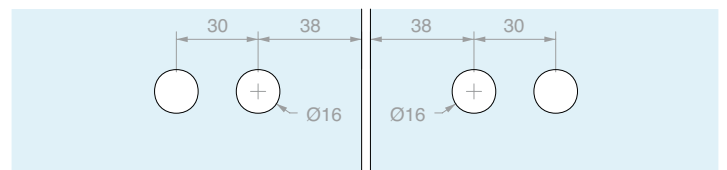
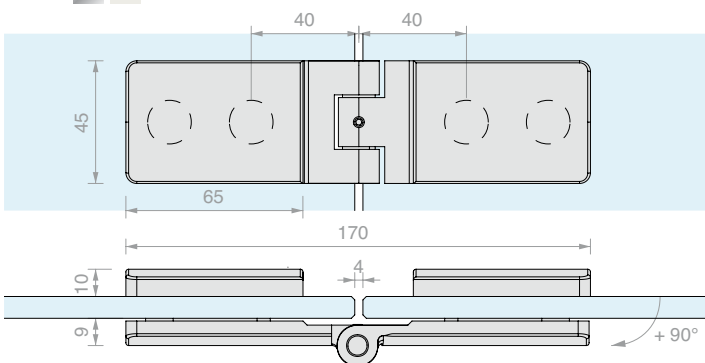
Art.	Max. load	Max. width	For glass	Qty
SFH102	50 kg	815 mm	From 8 to 10 mm	1 Pc



GLASS/GLASS OUTWARD OPENING IN-LINE HINGE

Material: Brass

Finish: /1 /24



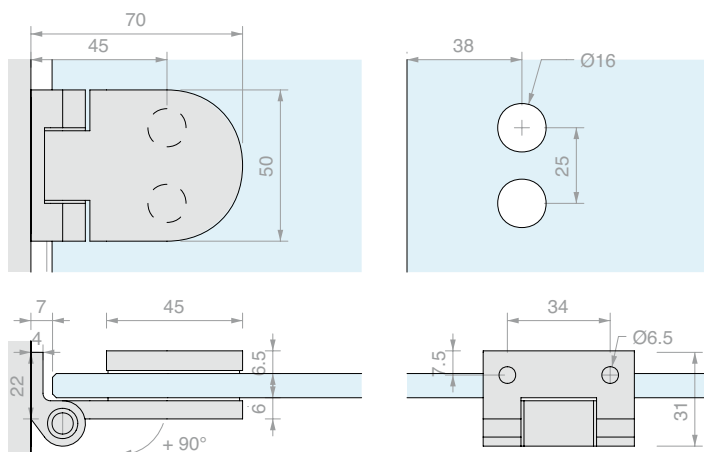
Art.	Max. load	Max. width	For glass	Qty
SFH103	50 kg	815 mm	From 8 to 10 mm	1 Pc



WALL/GLASS OUTWARD OPENING HINGE

Material: Brass

Finish: /1 /24



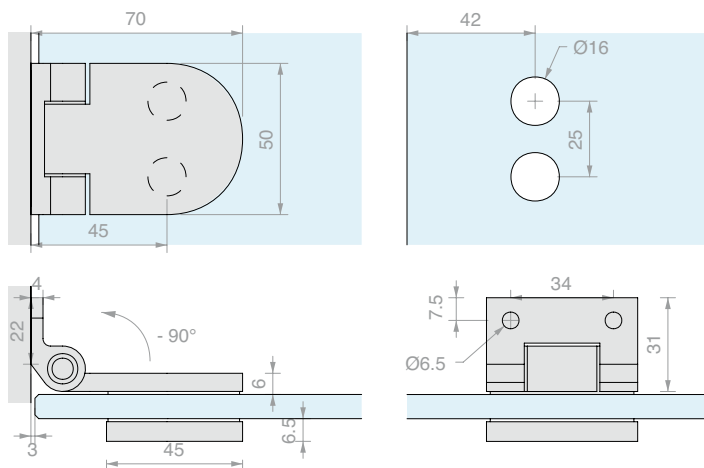
Art.	Max. load	Max. width	For glass	Qty
SFH801	40 kg	715 mm	From 6 to 8 mm	1 Pc



WALL/GLASS INWARD OPENING HINGE

Material: Brass

Finish: /1 /2 /24



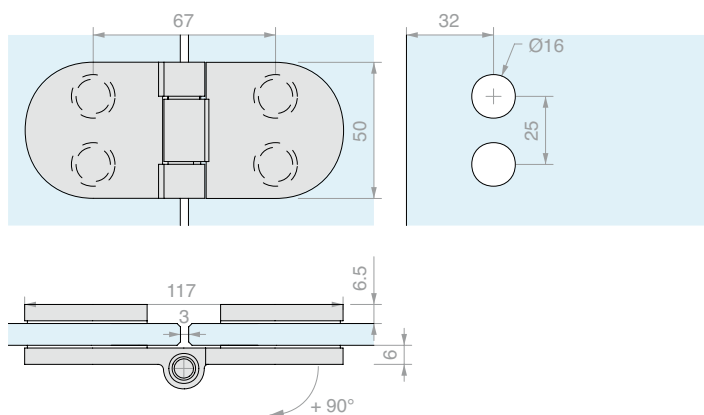
Art.	Max. load	Max. width	For glass	Qty
SFH802	40 kg	715 mm	From 6 to 8 mm	1 Pc



GLASS/GLASS OUTWARD OPENING IN-LINE HINGE

Material: Brass

Finish: /1 /2 /24



Art.	Max. load	Max. width	For glass	Qty
SFH803	40 kg	715 mm	From 6 to 8 mm	1 Pc



CHD SERIES

CER SERIES

PIVOT SHOWER KIT

PIVOT SHOWER

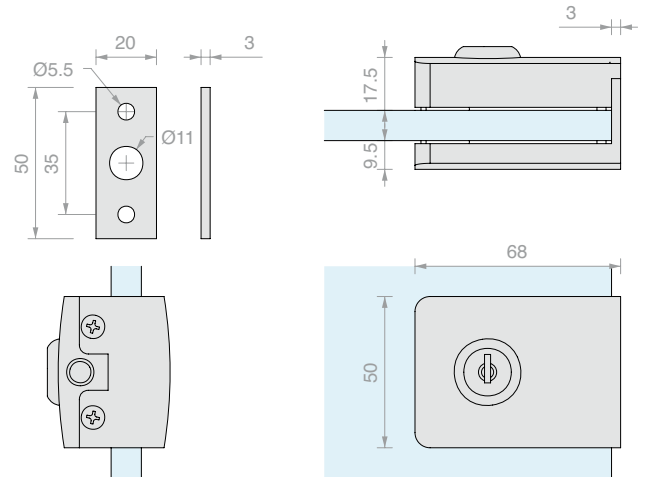
ACCESSORIES FOR SHOWER PARTITIONS



CLOSURE WITH KEY LOCK

Material: Brass

Finish: /1 /24



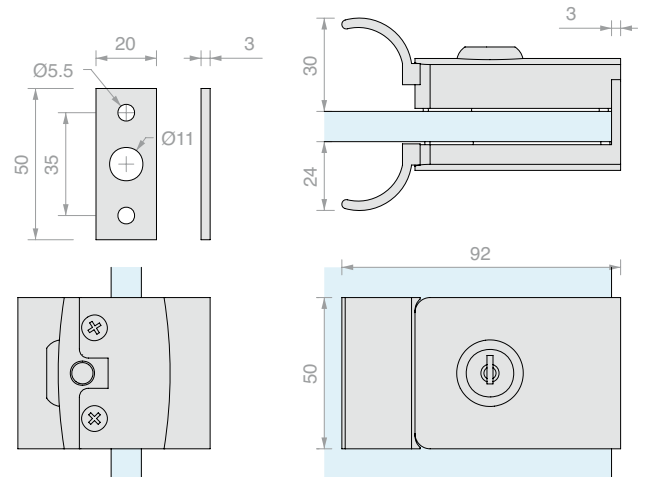
Art.	Pin	Key	For glass	Qty
CLK20	Ø7 L 16 mm	Different	From 8 to 10 mm	1 Pc



CLOSURE WITH KEY LOCK AND HANDLES

Material: Brass

Finish: /1 /24



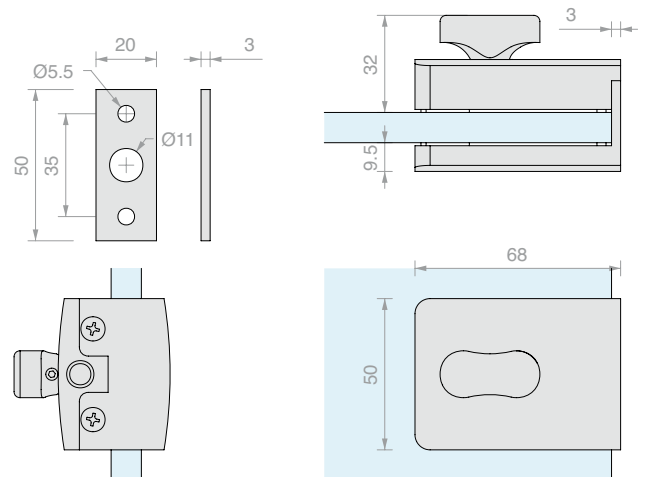
Art.	Pin	Key	For glass	Qty
CLKM27	Ø7 L 16 mm	Different	From 8 to 10 mm	1 Pc



LOCK WITH KNOB

Material: Brass

Finish: /1 /24



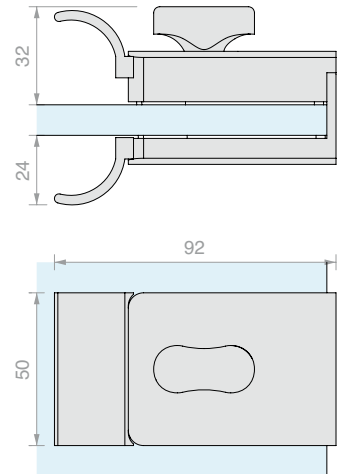
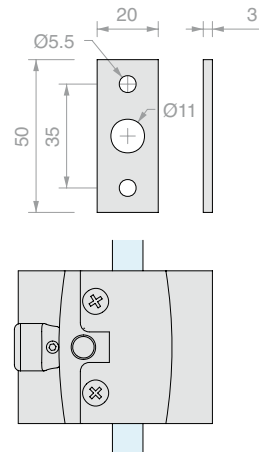
Art.	Pin	For glass	Qty
CLS245	Ø7 L 16 mm	From 8 to 10 mm	1 Pc



CLOSURE WITH DOOR KNOB AND HANDLES

Material: Brass

Finish: /24



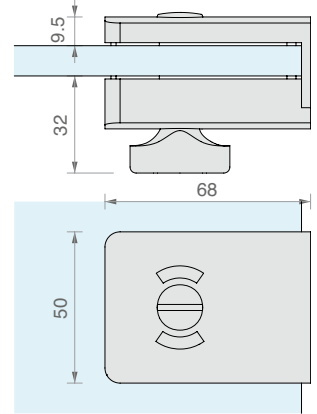
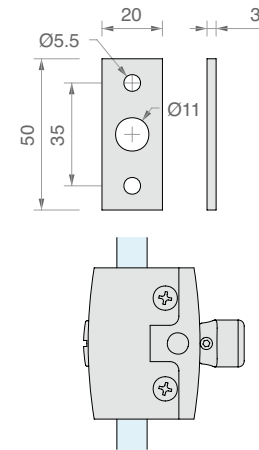
Art.	Pin	For glass	Qty
CPM247	Ø7 L 16 mm	From 8 to 10 mm	1 Pc



FREE/OCCUPIED LOCK WITH DOOR KNOB

Material: Brass

Finish: /24



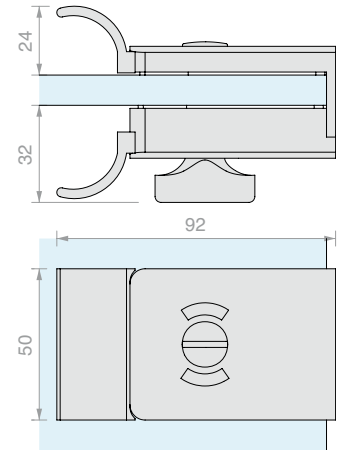
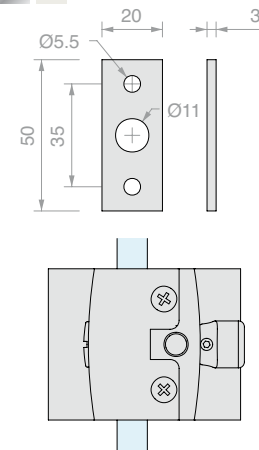
Art.	Pin	For glass	Qty
CLS24	Ø7 L 16 mm	From 8 to 10 mm	1 Pc



FREE/OCCUPIED CLOSURE WITH DOOR KNOB AND HANDLES

Material: Brass

Finish: /1 /24



Art.	Pin	For glass	Qty
CLM25	Ø7 L 16 mm	From 8 to 10 mm	1 Pc



CHD SERIES

CER SERIES

PIVOT SHOWER KIT

PIVOT SHOWER

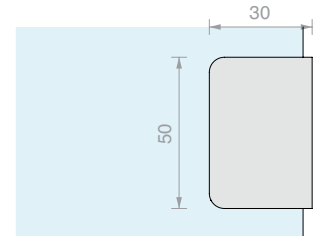
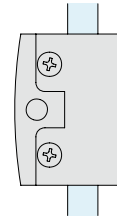
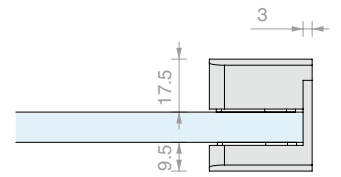
ACCESSORIES FOR SHOWER PARTITIONS



SMALL STRIKE PLATE FOR GLASS

Material: Brass

Finish: /1 /24



Art.

CLS70

For glass

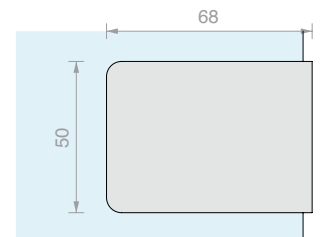
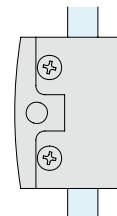
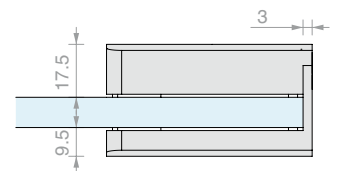
From 8 to 10 mm Qty 1 Pc



STRIKE PLATE FOR GLASS

Material: Brass

Finish: /1 /24



Art.

CLS68

For glass

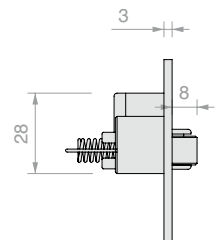
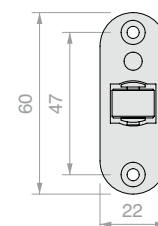
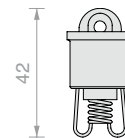
From 8 to 10 mm Qty 1 Pc



LATCH FOR SAUNAS

Material: zamak

Finish: /1 /97



Art.

SCR001

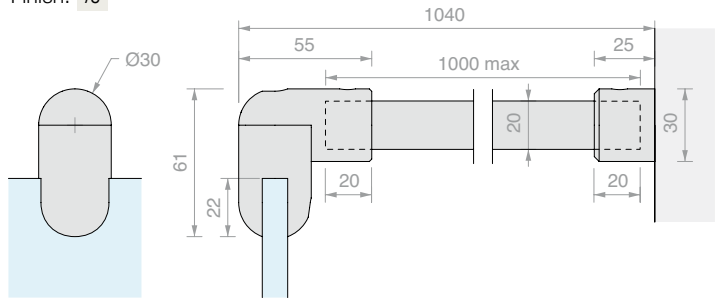
Qty

1 Pc



**SOLEIL ROYAL SERIES
FIXED WALL/GLASS STABILIZER BAR**

Material: AISI 304 steel
Finish: /8

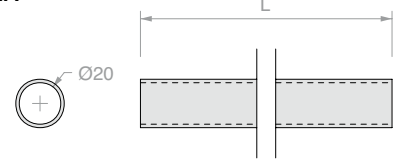


Art.	For glass	Qty
MFAC1000	From 8 to 10 mm	1 Pc



SOLEIL ROYAL SERIES BAR

Material: AISI 304 steel
Finish: /8

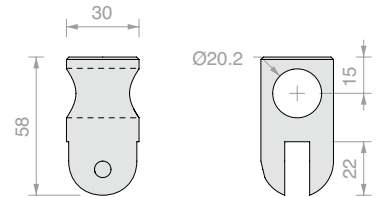


Art.	L	Qty
MFCC20	1000 mm	1 Pc
MFCC28	2000 mm	1 Pc



**SOLEIL ROYAL SERIES
GLASS FIXING**

Material: AISI 304 steel
Finish: /8

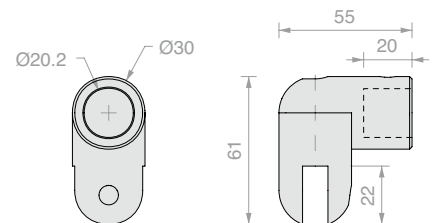


Art.	For glass	Qty
MFCC13	From 8 to 10 mm	1 Pc



**SOLEIL ROYAL SERIES
ADJUSTABLE
GLASS FIXING**

Material: AISI 304 steel
Finish: /8

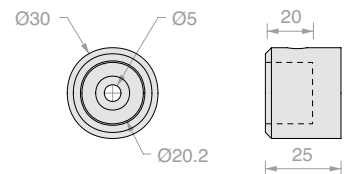


Art.	For glass	Qty
MFCC17	From 8 to 10 mm	1 Pc



**SOLEIL ROYAL SERIES
WALL FIXING**

Material: AISI 304 steel
Finish: /8

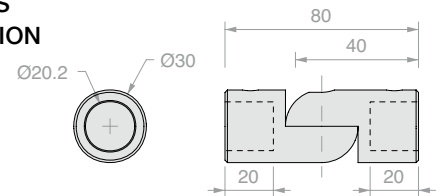


Art.	Qty
MFCC11	1 Pc



**SOLEIL ROYAL SERIES
ARTICULATED JUNCTION**

Material: AISI 304 steel
Finish: /8



Art.	Qty
MFCC15	1 Pc



CHD SERIES

CER SERIES

PIVOT SHOWER KIT

PIVOT SHOWER

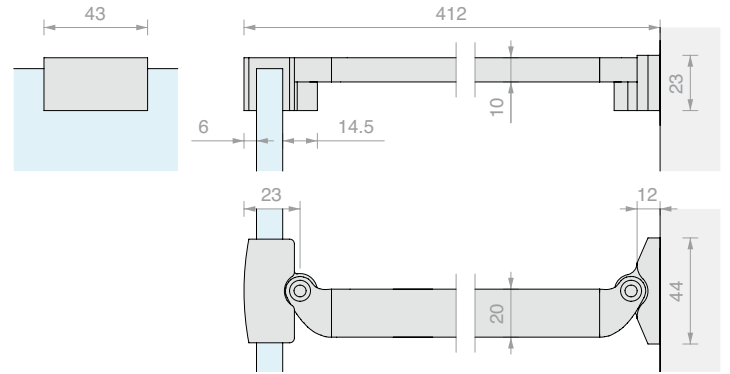
ACCESSORIES FOR SHOWER PARTITIONS



WALL/GLASS STABILIZER BAR WITH DOUBLE JOINT

Material: aluminium bar, Zamak accessories

Finish: /1



Art.	For glass	Qty
MF350	From 6 to 8 mm	1 Pc

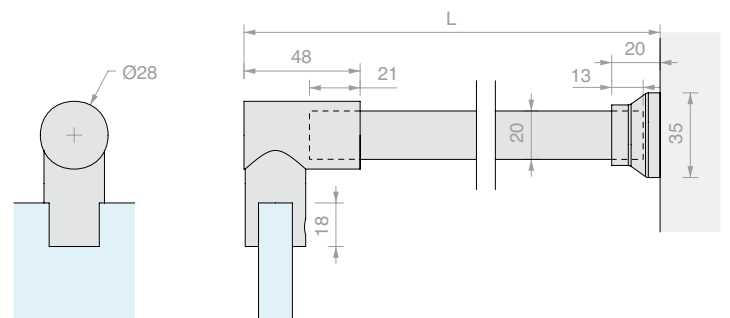


FIXED WALL/GLASS STABILIZER BAR

Material: Brass

Finish: /1 /2* /3 /R2

* Not available for Art. MF06160



Art.	L	For glass	Qty
MF06100	1020 mm	From 6 to 10 mm	1 Pc
MF06130	1320 mm	From 6 to 10 mm	1 Pc
MF06160	1620 mm	From 6 to 10 mm	1 Pc

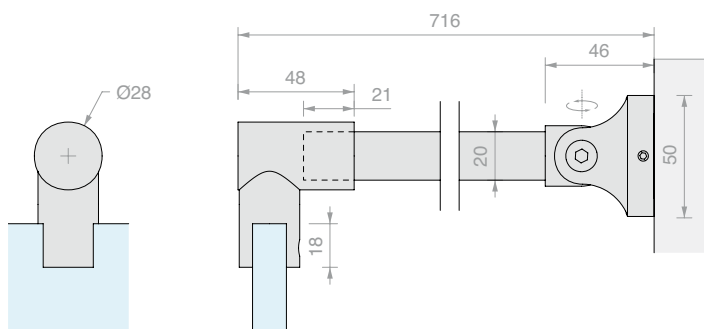


WALL/GLASS STABILIZER BAR WITH WALL JOINT

Material: Brass

Finish: /1 /3

Art.	For glass	Qty
MF008670	From 6 to 10 mm	1 Pc

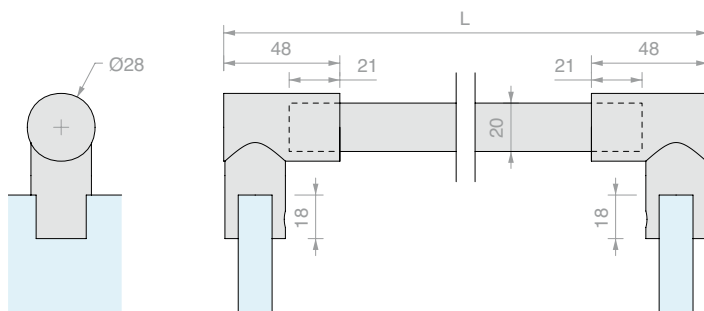


FIXED GLASS/GLASS STABILIZER BAR

Material: Brass

Finish: /1 /2 /3 /R2

Art.	L	For glass	Qty
MF007100	1050 mm	From 6 to 10 mm	1 Pc





CHD SERIES

CER SERIES

PIVOT SHOWER KIT

PIVOT SHOWER

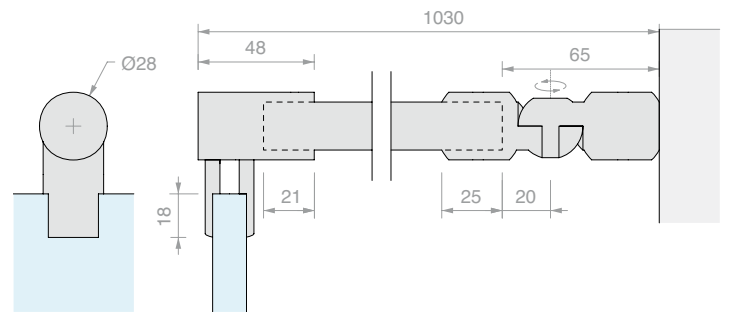
ACCESSORIES FOR SHOWER PARTITIONS



WALL/GLASS STABILIZER BAR WITH WALL JOINT

Material: Brass

Finish: /1 /3

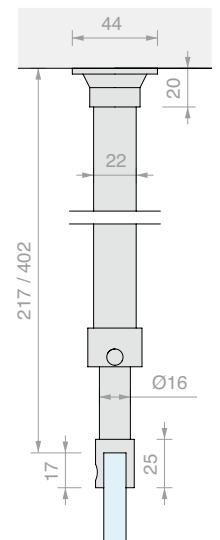


Art.	For glass	Qty
MF9812	From 6 to 10 mm	1 Pc

TELESCOPIC CEILING/GLASS STABILIZER BAR

Material: Brass

Finish: /1 /3

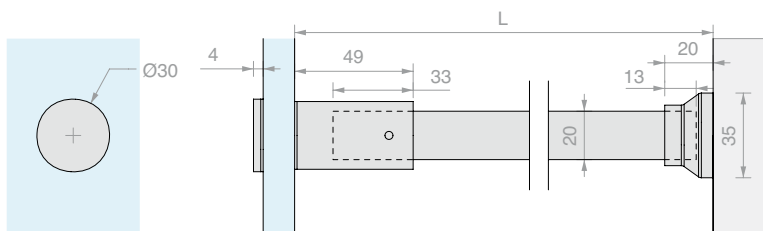


Art.	For glass	Qty
MF09430	From 6 to 10 mm	1 Pc



FIXED WALL/GLASS STABILIZER BAR WITH FLAT HEAD SCREWS

Material: Brass
 Recommended hole size Ø9 mm
 Finish: /1 /3

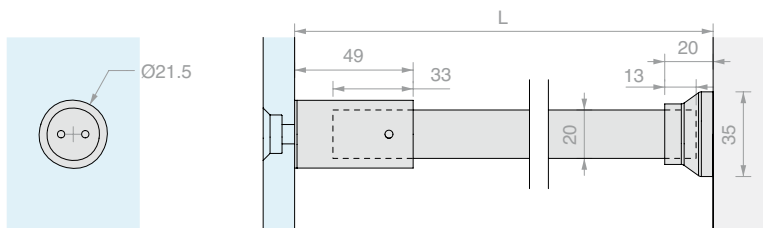


Art.	L	For glass	Qty
MF09410	1020 mm	From 6 to 12 mm	1 Pc
MF09413	1320 mm	From 6 to 12 mm	1 Pc



FIXED WALL/GLASS STABILIZER BAR WITH COFIS20

Material: Brass
 Recommended hole size Ø16–17 mm, 90° countersink
 Finish: /1 /3

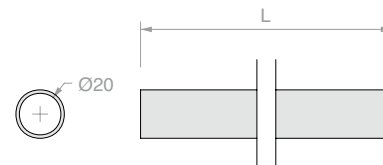


Art.	L	For glass	Qty
MF09410C20	1020 mm	From 8 to 12 mm	1 Pc



BAR

Material: Brass
 With M20x1 threading on one end
 Finish: /1 /2* /3 /R2
 * Not available for Art. MF1600

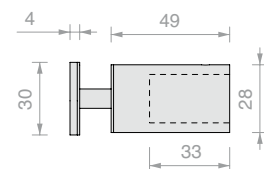


Art.	L	Qty
MF1000	1000 mm	1 Pc
MF1300	1300 mm	1 Pc
MF1600	1600 mm	1 Pc



GLASS FIXING WITH FLAT HEAD SCREWS

Material: Brass
 Recommended hole size Ø9 mm
 Finish: /1 /3

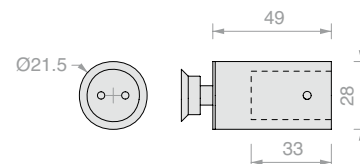


Art.	For glass	Qty
MF12	From 6 to 12 mm	1 Pc



GLASS FIXING WITH COFIS20

Material: Brass and AISI 304 steel
 Recommended hole size Ø16–17 mm, 90° countersink
 Finish: /1 /3
 Recommended tool Art. UT250



Art.	For glass	Qty
MF10	From 8 to 12 mm	1 Pc



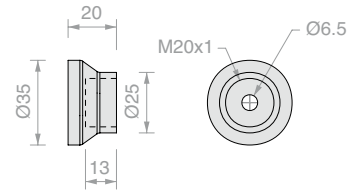
CHD SERIES



WALL FIXING

Material: Brass

Finish: /1 /2 /3 /R2



Art.	Qty
MF02	1 Pc

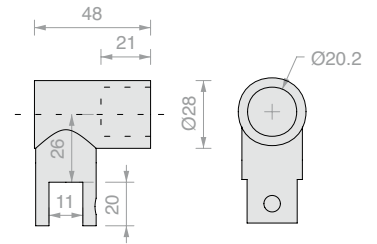
CER SERIES



ADJUSTABLE GLASS FIXING

Material: Brass

Finish: /1 /2 /3 /R2



Art.	For glass	Qty
MF04	From 6 to 10 mm	1 Pc

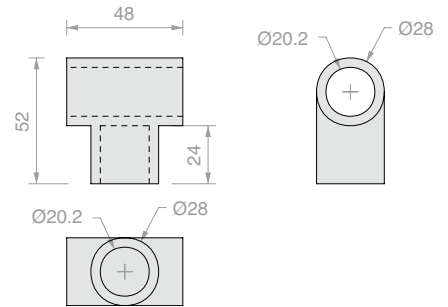
PIVOT SHOWER KIT



T-SHAPED CONNECTOR

Material: Brass

Finish: /1 /3



Art.	Qty
MF05	1 Pc

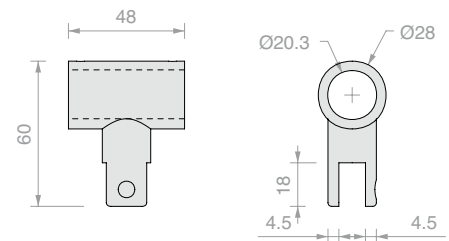
PIVOT SHOWER



THROUGH GLASS FIXING

Material: Brass

Finish: /1



Art.	For glass	Qty
MF06	From 6 to 10 mm	1 Pc

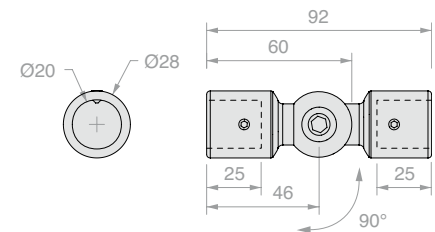
ACCESSORIES FOR SHOWER PARTITIONS



ARTICULATED JUNCTION

Material: Brass

Finish: /1 /3

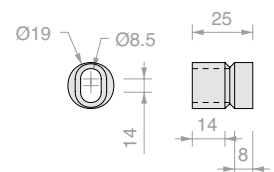


Art.	Qty
SAS020	1 Pc



SUPPORT FOR WALL ANCHORING FOR SAS020

Material: Brass



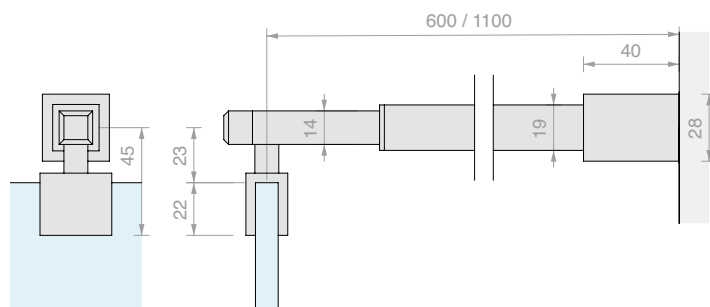
Art.	Qty
MFBOC	1 Pc



TELESCOPIC WALL/GLASS STABILIZER BAR

Material: AISI 304 steel and brass

Finish: /1



Art.	For glass	Qty
MF600A	From 6 to 8 mm	1 Pc
MF600B	From 10 to 12 mm	1 Pc



CHD SERIES

CER SERIES

PIVOT SHOWER KIT

PIVOT SHOWER

ACCESSORIES FOR SHOWER PARTITIONS

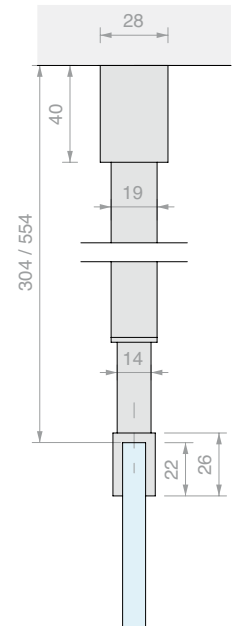


TELESCOPIC CEILING/GLASS STABILIZER BAR

Material: AISI 304 steel and brass

Finish: /1 /15*

* only for Art. MF300V



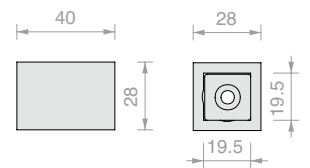
Art.	For glass	Qty
MF300A	From 6 to 8 mm	1 Pc
MF300B	From 10 to 12 mm	1 Pc
MF300V	Only bar	1 Pc



WALL FIXING

Material: Brass

Finish: /1



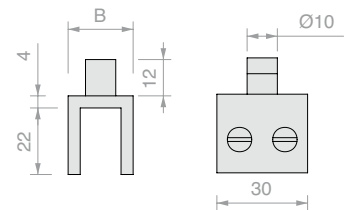
Art.	Qty
MF2890	1 Pc



U-SHAPED CLAMP WITH NECK

Material: Brass

Finish: /1



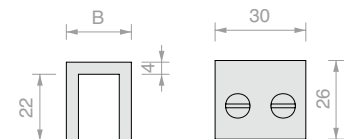
Art.	B	For glass	Qty
MU30095N	17.5 mm	From 6 to 8 mm	1 Pc
MU30135N	21.5 mm	From 10 to 12 mm	1 Pc



U-SHAPED CLAMP

Material: Brass

Finish: /1



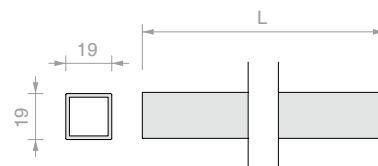
Art.	B	For glass	Qty
MU30095	17.5 mm	From 6 to 8 mm	1 Pc
MU30135	21.5 mm	From 10 to 12 mm	1 Pc



SQUARED BAR

Material: Aluminium

Finish: /6 /88 /91



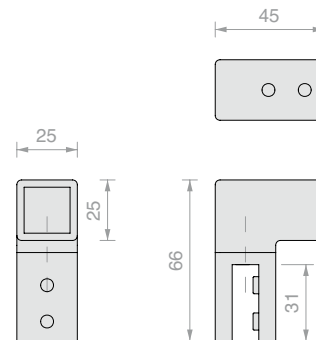
Art.	L	Qty
SPD071000	1000 mm	1 Pc
SPD072000	2000 mm	1 Pc



ADJUSTABLE GLASS FIXING

Material: Zamak

Finish: /1 /24 /R2



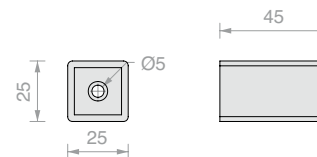
Art.	For glass	Qty
SPD03	From 6 to 10 mm	1 Pc



WALL FIXING

Material: Zamak

Finish: /1 /24 /R2



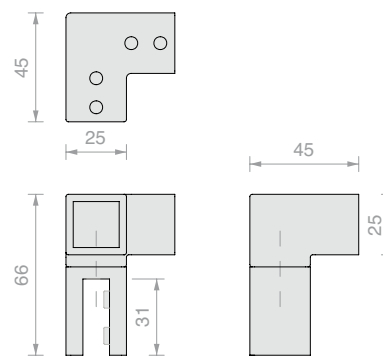
Art.	Qty
SPD05	1 Pc



TOW-WAY ARTICULATED GLASS FIXING

Material: Zamak

Finish: /1 /24 /R2



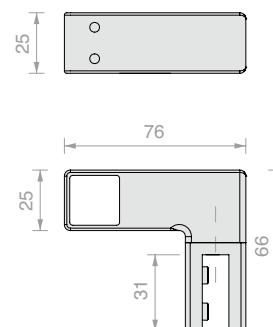
Art.	For glass	Qty
SPD01	From 6 to 10 mm	1 Pc



ARTICULATED DISTANCED GLASS FIXING

Material: Zamak

Finish: /1 /24 /R2



Art.	For glass	Qty
SPD09	From 6 to 10 mm	1 Pc



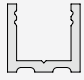
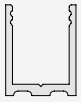
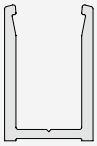
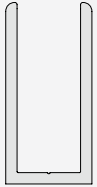

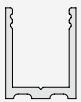
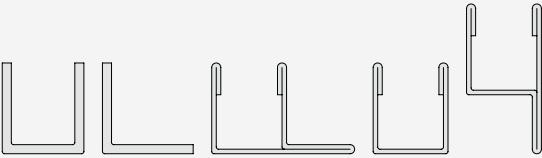
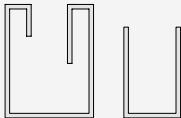
CHD SERIES

CER SERIES





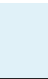
PIVOT SHOWER KIT

PIVOT SHOWER

ACCESSORIES FOR SHOWER PARTITIONS

SUMMARY OF INSTALLATION OPTIONS	Series	Material	Glass fixing
	PBD	Aluminium	Gasket
	LMU	Aluminium	Gasket
	PROALUX	Aluminium	Gasket
	PROFALL	Aluminium	Adhesive
	FORME	Aluminium	Adhesive
	LMUB	Brass	Gasket
	CANAL	AISI 304 Steel	Adhesive
	CMIRR	AISI 304 Steel	Adhesive



 6	 8	 10	 12	 15
<p>PBD3183.150 Page 410 PBD3183.220 Page 410 PBD3183 Page 410 PBD3183KR Page 415</p>	<p>PBD3183.150 Page 410 PBD3183.220 Page 410 PBD3183 Page 410 PBD3183KR Page 415</p>	<p>PBD3183.150 Page 410 PBD3183.220 Page 410 PBD3183 Page 410 PBD3183KR Page 415</p>		
<p>LMU20.300 Page 410 LMU20.150 Page 410</p>	<p>LMU20.300 Page 410 LMU20.150 Page 410</p>	<p>LMU20.300 Page 410 LMU20.150 Page 410</p>		
	<p>PROALUX1520 Page 412 PROALUX1530 Page 412</p>	<p>PROALUX1720 Page 412 PROALUX1730 Page 412</p>	<p>PROALUX1920 Page 412 PROALUX1930 Page 412</p>	
<p>PROFALL0820 Page 413 PROFALL0820KR Page 415</p>	<p>PROFALL0820 Page 413 PROFALL0820KR Page 415</p>	<p>PROFALL1020 Page 413 PROFALL1225 Page 413 PROFALL1240 Page 413 PROFALL1020KR Page 415</p>	<p>PROFALL1425 Page 413 PROFALL1425 Page 413</p>	
<p>FOU1009.30 Page 417</p>	<p>FOU1011.30 Page 417</p>	<p>FOU1013.30 Page 417</p>		
<p>LMU20B.150 Page 418 LMU20B.220 Page 418 LMU20B.300 Page 418</p>	<p>LMU20B.150 Page 418 LMU20B.220 Page 418 LMU20B.300 Page 418</p>	<p>LMU20B.150 Page 418 LMU20B.220 Page 418 LMU20B.300 Page 418</p>		
<p>CANAL06 Page 419 CANAL16 Page 419 CANAL26 Page 419 CANALSU66 Page 420</p>	<p>CANAL1 Page 419 CANAL2 Page 419 CANAL3 Page 419 CANALSF48 Page 420 CANALSU68 Page 420 CANALH88 Page 420</p>	<p>CANAL12 Page 419 CANAL22 Page 419 CANAL32 Page 419 CANALSF50 Page 420 CANALSU70 Page 420 CANALH90 Page 420</p>	<p>CANAL13 Page 419 CANAL23 Page 419 CANAL33 Page 419 CANALSF52 Page 420 CANALSU72 Page 420 CANALH92 Page 420</p>	<p>CANAL34 Page 419</p>
	<p>CMIRR8.2000 Page 421 CMIRR8.3000 Page 421 CANALM01 Page 421 CANALM02 Page 421 CANALM03 Page 421</p>	<p>CMIRR10.2000 Page 421 CMIRR10.3000 Page 421 CANALM012 Page 421 CANALM022 Page 421 CANALM032 Page 421</p>		



CHD SERIES

CER SERIES

PIVOT SHOWER KIT

PIVOT SHOWER

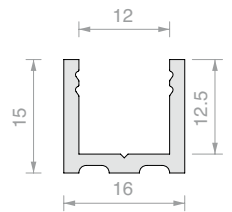
ACCESSORIES FOR SHOWER PARTITIONS



PBD3183 U-SHAPED PROFILE

Material: Aluminium

Finish: **/6** /88 /91 /97



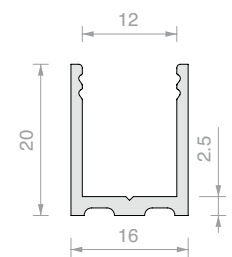
Art.	Length	Qty
PBD3183.150	1498 mm	1 Pc
PBD3183.220	2200 mm	1 Pc
PBD3183	3000 mm	1 Pc



LMU20 U-SHAPED PROFILE

Material: Aluminium

Finish: **/6** /88 /91 /97

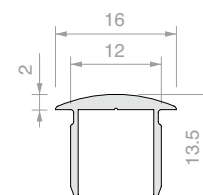


Art.	Length	Qty
LMU20.150	1498 mm	1 Pc
LMU20.300	3000 mm	1 Pc



ROUNDED UPPER PROFILE

Material: Aluminium
Finish: /6 /88 /91 /97

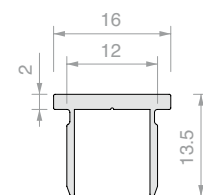


Art.	Length	Qty
PBD3184.100	992 mm	1 Pc
PBD3184.150	1498 mm	1 Pc
PBD3184	3000 mm	1 Pc



FLAT UPPER PROFILE

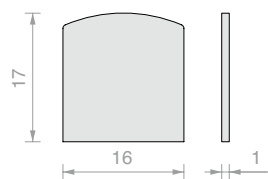
Material: Aluminium
Finish: /6 /88 /91 /97



Art.	Length	Qty
PBD3186.100	992 mm	1 Pc
PBD3186.150	1498 mm	1 Pc
PBD3186	3000 mm	1 Pc

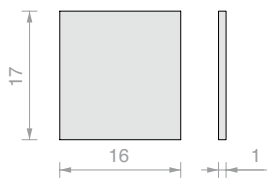
ROUNDED CAP PBD

Material: Aluminium
Finish: /6 /88 /91 /97



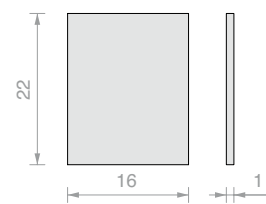
PBD FLAT CAP

Material: Aluminium
Finish: /6 /88 /91 /97



FLAT CAP LMU

Material: Aluminium
Finish: /88 /91 /97 /R2



Art.	Qty	Art.	Qty	Art.	Qty
PBDTP	1 Pc	PBD86TP	1 Pc	LMU20TP	1 Pc



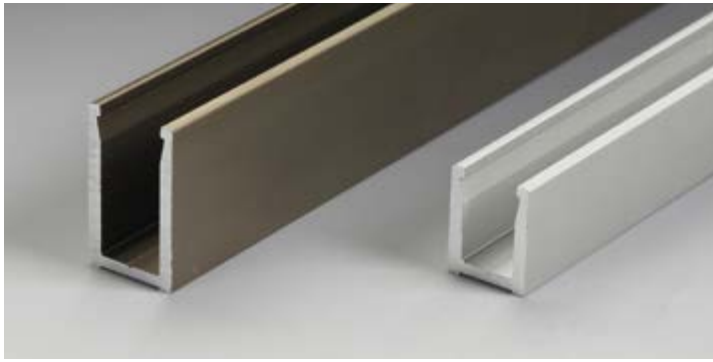
GLASS HOLDER GASKET

Material: PVC

Art.	Thickness	Colour	Qty	Art.	Thickness	Colour	Qty	Art.	Thickness	Colour	Qty
GTUP2	2 mm	Transparent	1 m	GTUP2G	2 mm	Embossed	1 m	GTUP2N	2 mm	Black	1 m
GTUP3	3 mm	Transparent	1 m	GTUP3G	3 mm	Embossed	1 m	GTUP3N	3 mm	Black	1 m
GTUP4	4 mm	Transparent	1 m	GTUP4G	4 mm	Embossed	1 m	GTUP4N	4 mm	Black	1 m
GTUP5	5 mm	Transparent	1 m	GTUP5G	5 mm	Embossed	1 m	GTUP5N	5 mm	Black	1 m
GTUP6	6 mm	Transparent	1 m	GTUP6G	6 mm	Embossed	1 m	GTUP6N	6 mm	Black	1 m



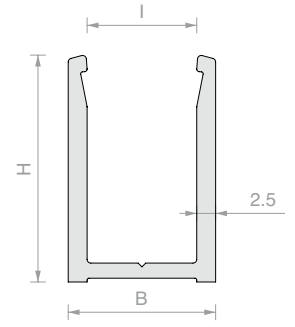
CHD SERIES



PROALUX U-SHAPED PROFILE

Material: Aluminium

Finish: /6 /88 /91 /97



CER SERIES

Art.	H	I	B	Length	For glass	Qty
PROALUX1520	20 mm	10.5 mm	15.5 mm	3000 mm	8 mm	1 Pc
PROALUX1530	30 mm	10.5 mm	15.5 mm	3000 mm	8 mm	1 Pc
PROALUX1720	20 mm	12.5 mm	17.5 mm	3000 mm	10 mm	1 Pc
PROALUX1730	30 mm	12.5 mm	17.5 mm	3000 mm	10 mm	1 Pc
PROALUX1920	20 mm	14.5 mm	19.5 mm	3000 mm	12 mm	1 Pc
PROALUX1930	30 mm	14.5 mm	19.5 mm	3000 mm	12 mm	1 Pc

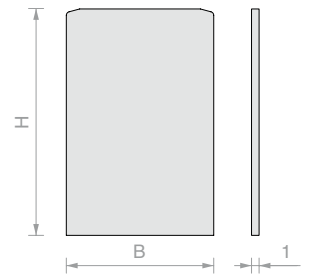
PIVOT SHOWER KIT



PROALUX CAPS

Material: Aluminium

Finish: /88 /91 /97 /R2



PIVOT SHOWER

Art.	H	B	Qty
PROTAP1520	20 mm	15.5 mm	1 Pc
PROTAP1530	30 mm	15.5 mm	1 Pc
PROTAP1720	20 mm	17.5 mm	1 Pc
PROTAP1730	30 mm	17.5 mm	1 Pc
PROTAP1920	20 mm	19.5 mm	1 Pc
PROTAP1930	30 mm	19.5 mm	1 Pc

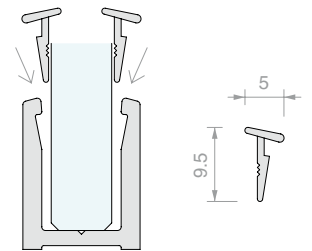
ACCESSORIES FOR SHOWER PARTITIONS



SEAL FOR PROALUX PROFILES

Material: Co-extruded PVC

Finish: Transparent



Art.	Description	Qty
PROALUXG		1 m
PROALUXG400	400 m roll	1 Pc



WHEEL TOOL

Material: Plastic

For fitting PROFIXG, GTUP and PROALUXG seals

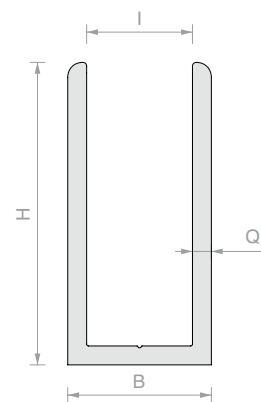
Art.	Qty
UTR65	1 Pc



PROFALL U-SHAPED PROFILE

Material: Aluminium

Finish: /6 /88 /91 /97



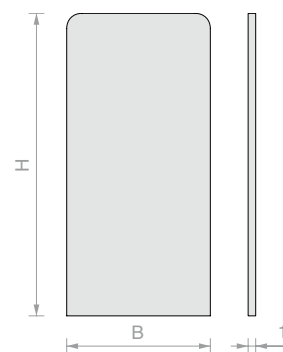
Art.	H	I	B	Q	Length	Qty
PROFALL0820	20 mm	8.5 mm	11.5 mm	1.5 mm	3000 mm	1 Pc
PROFALL1020	20 mm	10.5 mm	13.5 mm	1.5 mm	3000 mm	1 Pc
PROFALL1225	25 mm	12 mm	17 mm	2.5 mm	3000 mm	1 Pc
PROFALL1240	40 mm	12 mm	17 mm	2.5 mm	3000 mm	1 Pc
PROFALL1425	25 mm	14 mm	19 mm	2.5 mm	3000 mm	1 Pc
PROFALL1440	40 mm	14 mm	19 mm	2.5 mm	3000 mm	1 Pc



PROFALL CAPS

Material: Aluminium

Finish: /88 /91 /97 /R2



Art.	H	B	Qty
PROTAP0820	20 mm	11.5 mm	1 Pc
PROTAP1020	20 mm	13.5 mm	1 Pc
PROTAP1225	25 mm	17 mm	1 Pc
PROTAP1240	40 mm	17 mm	1 Pc
PROTAP1425	25 mm	19 mm	1 Pc
PROTAP1440	40 mm	19 mm	1 Pc

ACCESSORIES FOR
SHOWER PARTITIONS

PIVOT SHOWER

PIVOT SHOWER KIT

CER SERIES

CHD SERIES

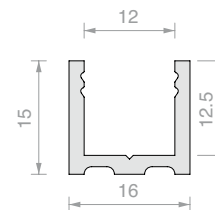




PBD3183 CHROME U-SHAPED PROFILE

Material: Aluminium

Finish: /1



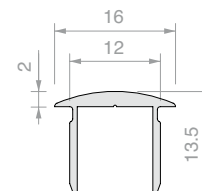
Art.	Length	Qty
PBD3183KR	2997 mm	1 Pc



ROUNDED UPPER CHROME PROFILE

Material: Aluminium

Finish: /1



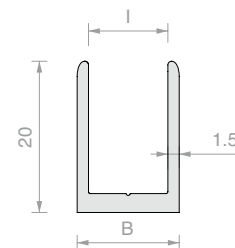
Art.	Length	Qty
PBD3184KR	2997 mm	1 Pc



PROFALL CHROME U-SHAPED PROFILE

Material: Aluminium

Finish: /1



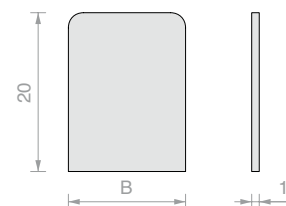
Art.	l	B	Length	Qty
PROFALL0820KR	8.5 mm	11.5 mm	2997 mm	1 Pc
PROFALL1020KR	10.5 mm	13.5 mm	2997 mm	1 Pc



PROFALL CHROME CAP

Material: Aluminium

Finish: /1



Art.	B	Qty
PROTAP0820KR	11.5 mm	1 Pc
PROTAP1020KR	13.5 mm	1 Pc

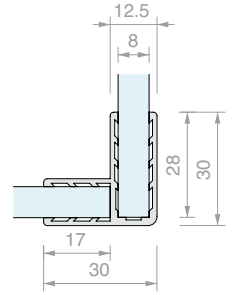


CHD SERIES



SPD09 CORNER PROFILE

Material: Aluminium
Finish: /91



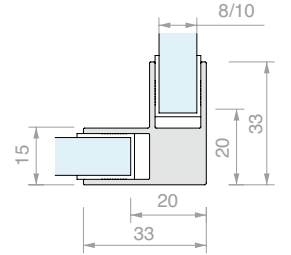
Art.	For glass	Length	Qty
SPD092300	8 mm	2300 mm	1 Pc

CER SERIES



SPD15 CORNER PROFILE

Material: Aluminium
Finish: /6 /91



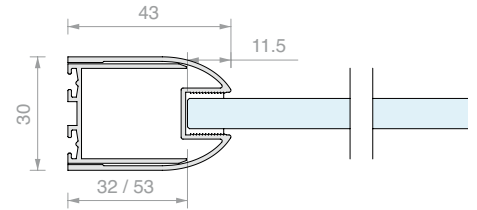
Art.	For glass	Length	Qty
SPD153308	8 mm	2100 mm	1 Pc
SPD153310	10 mm	2100 mm	1 Pc

PIVOT SHOWER KIT



SPD11 EXTENSION PROFILE

Material: Aluminium
Finish: /91



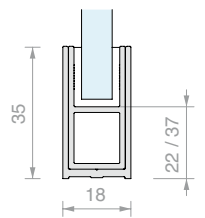
Art.	For glass	Length	Qty
SPD112300	From 8 to 10 mm	2300 mm	1 Pc

PIVOT SHOWER



SPD15 EXTENSION PROFILE

Material: Aluminium
Finish: /6 /91



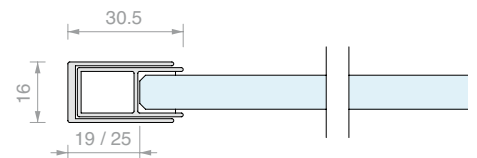
Art.	For glass	Length	Qty
SPD153508	8 mm	2100 mm	1 Pc

ACCESSORIES FOR SHOWER PARTITIONS



SPD13 EXTENSION PROFILE

Material: Aluminium
Finish: /91

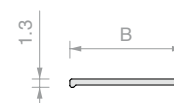


Art.	For glass	Length	Qty
SPD132300	From 8 to 10 mm	2300 mm	1 Pc



FLAT PROFILE FORME SERIES

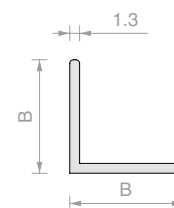
Material: Aluminium

Finish: /6 /88 /97 /RAL

Art.	B	Length	Qty
FOP10.30	10 mm	3000 mm	1 Pc
FOP15.30	15 mm	3000 mm	1 Pc
FOP20.30	20 mm	3000 mm	1 Pc

L-SHAPED PROFILE FORME SERIES

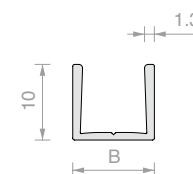
Material: Aluminium

Finish: /6 /88 /97 /RAL

Art.	B	Length	Qty
FOL1010.30	10 mm	3000 mm	1 Pc
FOL1515.30	15 mm	3000 mm	1 Pc
FOL2020.30	20 mm	3000 mm	1 Pc

U-SHAPED PROFILE FORME SERIES

Material: Aluminium

Finish: /6 /88 /97 /RAL

Art.	B	Length	For glass	Qty
FOU1009.30	8.8 mm	3000 mm	6 mm	1 Pc
FOU1011.30	10.8 mm	3000 mm	8 mm	1 Pc
FOU1013.30	12.8 mm	3000 mm	10 mm	1 Pc



TESA® ACX^{plus} DOUBLE-SIDED TAPE

Transparent double-sided tape for structural fixing of glass, steel and aluminium. The paper liner makes manual application of the tape easier. Solid, high performance backing with excellent viscoelastic properties and high bonding power, dissipation of static and dynamic stresses, plus high resistance to temperatures, humidity, UV rays, and chemical agents. Maximum operating temperature 100°C; peak temperature 200°C (max. 20 minutes). Recommended for glass/glass and glass/metal bonding; ideal for compensating different thermal expansions without losing strength. To achieve the best performance, it is recommended to prepare the application surfaces using the specific adhesion promoter, Art. TS100

Art.	Dimensions	Thickness	Qty
TS250065	6 mm x 25 m	0.5 mm	1 Pc
TS25006	6 mm x 25 m	1 mm	1 Pc
TS25009	9 mm x 25 m	1 mm	1 Pc
TS250125	12 mm x 25 m	0.5 mm	1 Pc
TS25012	12 mm x 25 m	1 mm	1 Pc
TS250155	15 mm x 25 m	0.5 mm	1 Pc
TS25019	19 mm x 25 m	1 mm	1 Pc



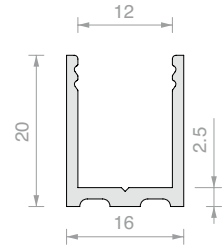
CHD SERIES



LMU20B U-SHAPED PROFILE

Material: Brass

Finish: /1 /2 /4 /24 /R2



Art.	Length	Qty
LMU20B.150	1498 mm	1 Pc
LMU20B.220	2200 mm	1 Pc
LMU20B.300	3000 mm	1 Pc

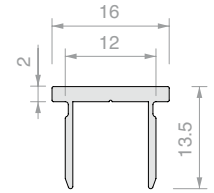
CER SERIES



LMU86B FLAT UPPER PROFILE

Material: Brass

Finish: /1 /2 /4 /24 /R2



Art.	Length	Qty
LMU86B.100	992 mm	1 Pc
LMU86B.150	1498 mm	1 Pc
LMU86B.300	3000 mm	1 Pc

PIVOT SHOWER KIT

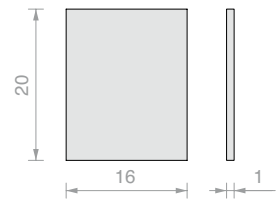
PIVOT SHOWER



FLAT CAP LMUB

Material: Brass

Finish: /1 /2 /4 /24 /R2



Art.	Qty
LMU20TPB	1 Pc

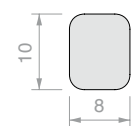
ACCESSORIES FOR SHOWER PARTITIONS



WATER BARRIER PROFILE PESQ0810B

Material: Brass

Finish: /1 /2 /4 /24 /R2

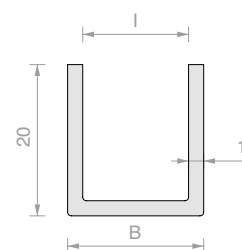


Art.	Length	Qty
PESQ0810B.100	992 mm	1 Pc
PESQ0810B.150	1498 mm	1 Pc
PESQ0810B.300	3000 mm	1 Pc

**U-SHAPED CHANNEL**

Material: AISI 304 steel

Finish: /8 /15

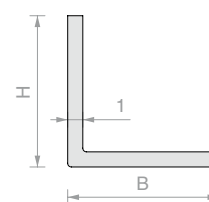


Art.	l	B	Length	Qty
CANAL06	6.5 mm	8.5 mm	2000 mm	1 Pc
CANAL1	8.5 mm	10.5 mm	2000 mm	1 Pc
CANAL12	10.5 mm	12.5 mm	2000 mm	1 Pc
CANAL13	12.5 mm	14.5 mm	2000 mm	1 Pc
CANAL16	6.5 mm	8.5 mm	2500 mm	1 Pc
CANAL2	8.5 mm	10.5 mm	2500 mm	1 Pc
CANAL22	10.5 mm	12.5 mm	2500 mm	1 Pc
CANAL23	12.5 mm	14.5 mm	2500 mm	1 Pc
CANAL26	6.5 mm	8.5 mm	3000 mm	1 Pc
CANAL3	8.5 mm	10.5 mm	3000 mm	1 Pc
CANAL32	10.5 mm	12.5 mm	3000 mm	1 Pc
CANAL33	12.5 mm	14.5 mm	3000 mm	1 Pc
CANAL34	16 mm	18 mm	3000 mm	1 Pc

**L-SHAPED CHANNEL**

Material: AISI 304 steel

Finish: /8 /15



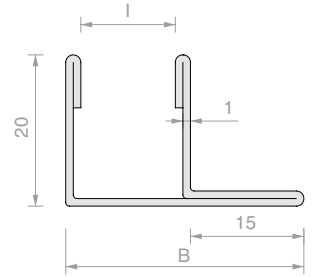
Art.	H	B	Length	Qty
CANANG1	10 mm	10 mm	2000 mm	1 Pc
CANANG12	15 mm	15 mm	2000 mm	1 Pc
CANANG13	20 mm	20 mm	2000 mm	1 Pc
CANANG14	30 mm	30 mm	2000 mm	1 Pc
CANANG2	10 mm	10 mm	2500 mm	1 Pc
CANANG22	15 mm	15 mm	2500 mm	1 Pc
CANANG23	20 mm	20 mm	2500 mm	1 Pc
CANANG24	30 mm	30 mm	2500 mm	1 Pc
CANANG3	10 mm	10 mm	3000 mm	1 Pc
CANANG32	15 mm	15 mm	3000 mm	1 Pc
CANANG33	20 mm	20 mm	3000 mm	1 Pc
CANANG34	30 mm	30 mm	3000 mm	1 Pc



F-SHAPED CHANNEL

Material: AISI 304 steel

Finish: /8 /15



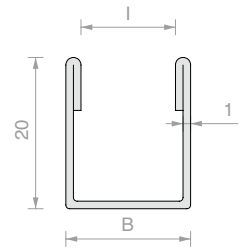
Art.	l	B	Length	Qty
CANALSF48	8.5 mm	27.5 mm	2500 mm	1 Pc
CANALSF50	10.5 mm	29.5 mm	2500 mm	1 Pc
CANALSF52	12.5 mm	31.5 mm	2500 mm	1 Pc



U-SHAPED CHANNEL WITH FOLDED EDGE

Material: AISI 304 steel

Finish: /8 /15



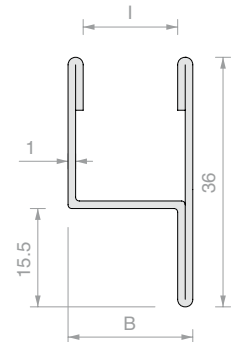
Art.	l	B	Length	Qty
CANALSU66	6.5 mm	10.5 mm	2500 mm	1 Pc
CANALSU68	8.5 mm	12.5 mm	2500 mm	1 Pc
CANALSU70	10.5 mm	14.5 mm	2500 mm	1 Pc
CANALSU72	12.5 mm	16.5 mm	2500 mm	1 Pc



H-SHAPED CHANNEL WITH FOLDED EDGE

Material: AISI 304 steel

Finish: /8 /15

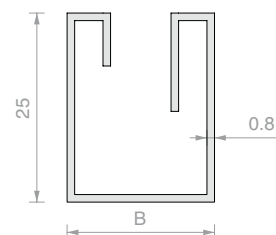


Art.	l	B	Length	Qty
CANALH88	8.5 mm	12.5 mm	2500 mm	1 Pc
CANALH90	10.5 mm	14.5 mm	2500 mm	1 Pc
CANALH92	12.5 mm	16.5 mm	2500 mm	1 Pc

**U-SHAPED MIRROR CHANNEL WITH FOLDED EDGE**

Material: AISI 304 steel

Finishes: 8K mirror polished steel

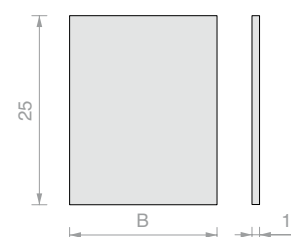


Art.	B	Length	For glass	Qty
CMIRR8.2000	17.5 mm	2000 mm	8 mm	1 Pc
CMIRR8.3000	17.5 mm	3000 mm	8 mm	1 Pc
CMIRR10.2000	19.5 mm	2000 mm	10 mm	1 Pc
CMIRR10.3000	19.5 mm	3000 mm	10 mm	1 Pc

**MIRROR CAP**

Material: AISI 304 steel

Finishes: 8K mirror polished steel

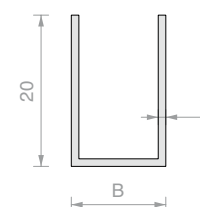


Art.	B	Qty
CMIRRTP8	17.5 mm	1 Pc
CMIRRTP10	19.5 mm	1 Pc

**U-SHAPED MIRROR CHANNEL**

Material: AISI 304 steel

Finishes: 6K mirror polished steel



Art.	B	Length	For glass	Qty
CANALM01	10.5 mm	2000 mm	8 mm	1 Pc
CANALM02	10.5 mm	2500 mm	8 mm	1 Pc
CANALM03	10.5 mm	3000 mm	8 mm	1 Pc
CANALM012	12.5 mm	2000 mm	10 mm	1 Pc
CANALM022	12.5 mm	2500 mm	10 mm	1 Pc
CANALM032	12.5 mm	3000 mm	10 mm	1 Pc

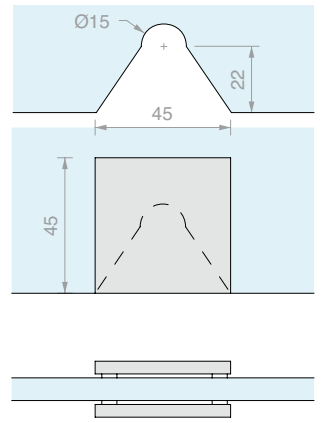
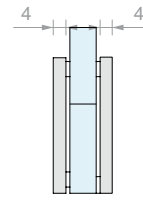


CHD SERIES



**WALL/GLASS
FLUSH TO THE WALL CLAMP**

Material: Zamak
Finish: /1 /24 /R2



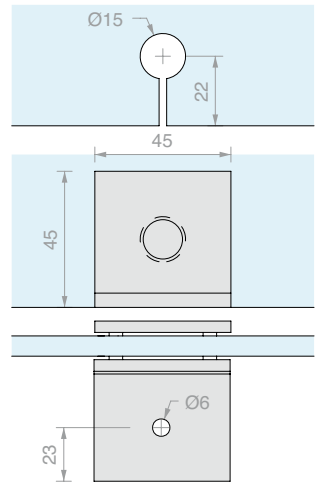
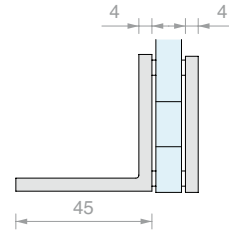
Art.	For glass	Qty
MORSZ001	From 6 to 10 mm	1 Pc

CER SERIES



**WALL/GLASS SIDE FIXING CLAMP,
LARGE**

Material: Zamak
Finish: /1 /24 /R2



Art.	For glass	Qty
MORSZ002	From 6 to 10 mm	1 Pc

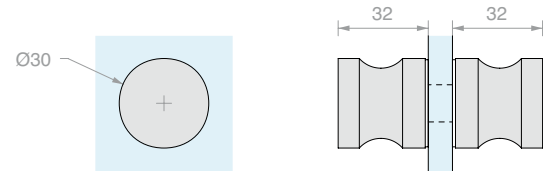
PIVOT SHOWER KIT

PIVOT SHOWER



PAIR OF ROUND KNOBS

Material: Zamak
Recommended glass hole minimum size Ø12 mm
Finish: /1 /24 /R2



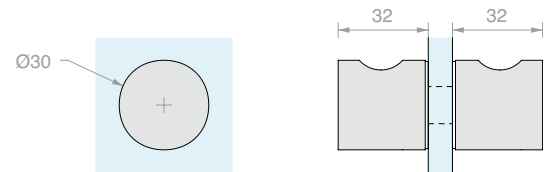
Art.	For glass	Qty
POMZ001	From 6 to 10 mm	1 Pc

ACCESSORIES FOR
SHOWER PARTITIONS



PAIR OF KNOBS WITH GRIP

Material: Zamak
Recommended glass hole minimum size Ø12 mm
Finish: /1 /24 /R2



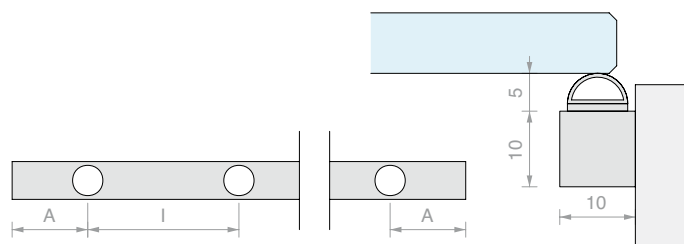
Art.	For glass	Qty
POMZ002	From 6 to 10 mm	1 Pc



DOOR STRIKER PROFILE

Material: AISI 304 steel

Finish: /8



Art.	Length	A	l	Qty
BT28	3000 mm	700 mm	700 mm	1 Pc



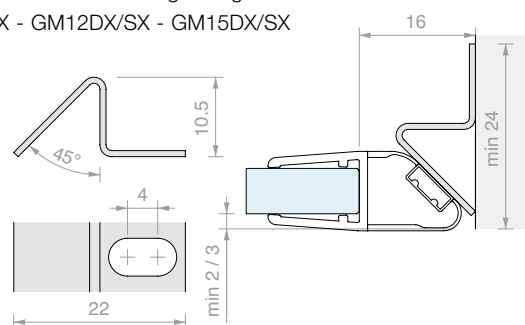
MAGNETIC 45° DOOR STRIKER PROFILE

Material: Magnetic steel

Properties: to combine with 90° magnetic gasket

Type: GM62DX/SX - GM12DX/SX - GM15DX/SX

Finish: /8 /15



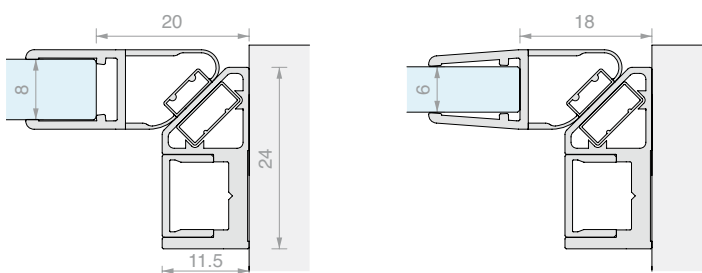
Art.	Length	Qty
BT31	2500 mm	1 Pc



MAGNETIC 45° DOOR STRIKER PROFILE WITH COVER

Material: Aluminium, magnet

Finish: /6 /88 /91 /97



Art.	Length	Qty
BT3322	2200 mm	1 Pc
BT3325	2500 mm	1 Pc

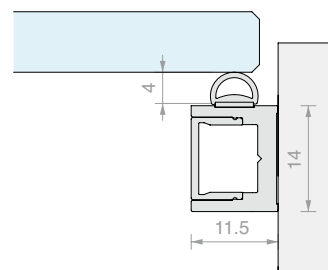


90° DOOR STRIKER PROFILE

Material: Aluminium, PVC

Finish: /88* /91 /97*

* Not available for Art. BT3520



Art.	Length	Qty
BT3520	2000 mm	1 Pc
BT3525	2500 mm	1 Pc

500 Series Gaskets

The resistance of a gasket
The beauty of a finish

One model for every use.

Choose from among balloon and magnetic gaskets or gaskets with lip deflector or classic straight lip.

The GM500 line comes complete for any type of use.

The flexibility of PVC, the beauty of the finishes.

Add a touch of style to your shower.

The GM500 line is available in black, matt aluminium, polished aluminium and brushed stainless steel.



CHD SERIES

CER SERIES

PIVOT SHOWER KIT

PIVOT SHOWER

ACCESSORIES FOR
SHOWER PARTITIONS

GASKETS



CHD SERIES

CER SERIES

PIVOT SHOWER KIT

PIVOT SHOWER

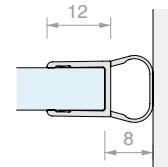
ACCESSORIES FOR SHOWER PARTITIONS

GASKETS

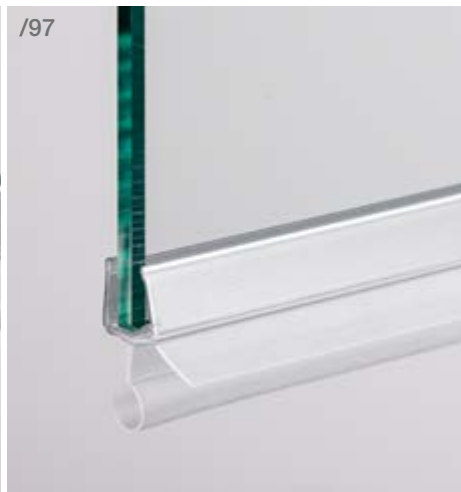
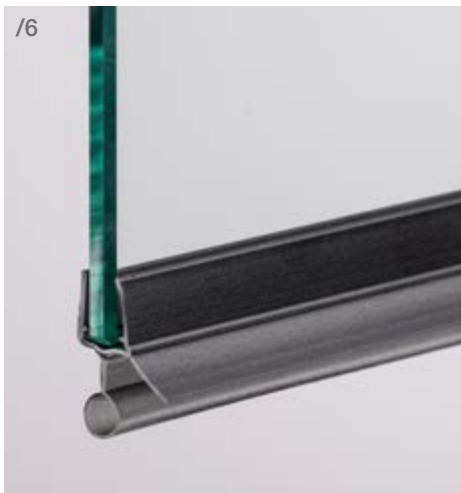


BALLOON GASKET

Material: Co-extruded rigid and soft PVC
Resistant to UV rays
Fungicide to prevent mould from forming
Maximum operating temperature 70°C
Soft embossed PVC
Finish: **/6** **/88** **/91** **/97**

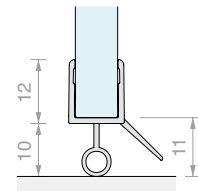


Art.	Length	For glass	Qty
GM50522	2200 mm	From 6 to 8 mm	1 Pc
GM50525	2500 mm	From 6 to 8 mm	1 Pc



GASKET WITH BALLOON WATER BARRIER AND DRIP FLAP

Material: Co-extruded rigid and soft PVC
Resistant to UV rays
Fungicide to prevent mould from forming
Maximum operating temperature 70°C
Soft embossed PVC
Finish: **/6** **/88** **/91** **/97**

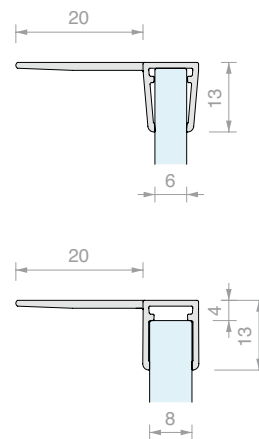


Art.	Length	For glass	Qty
GM56010	1000 mm	From 6 to 8 mm	1 Pc
GM56020	2000 mm	From 6 to 8 mm	1 Pc
GM56025	2500 mm	From 6 to 8 mm	1 Pc

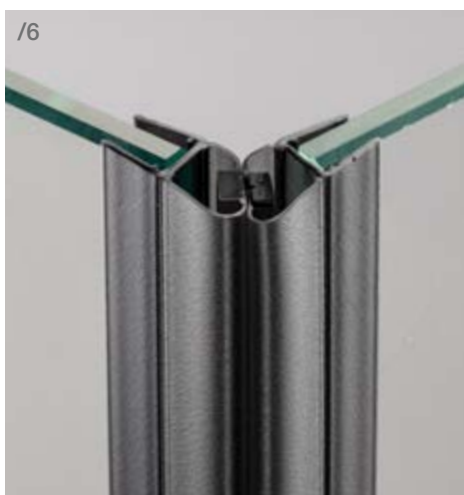


GASKET WITH SIDE LIP

Material: Co-extruded rigid and soft PVC
 Resistant to UV rays
 Fungicide to prevent mould from forming
 Maximum operating temperature 70°C
 Soft embossed PVC
 Finish: **/6** /88 /91 /97

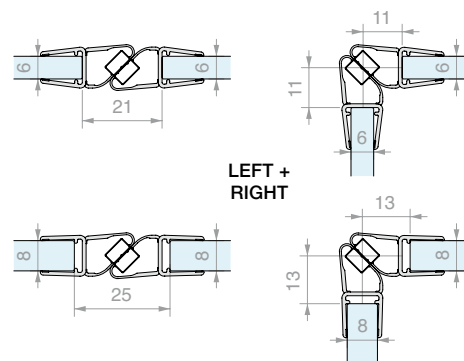


Art.	Length	For glass	Qty
GM57022	2200 mm	From 6 to 8 mm	1 Pc
GM57025	2500 mm	From 6 to 8 mm	1 Pc



MAGNETIC 45° GASKET

Material: Co-extruded rigid and soft PVC
 Fungicide to prevent mould from forming
 Maximum operating temperature 70°C
 Soft embossed PVC
 Finish: **/6** /88 /91 /97



Art.	Length	For glass	Qty
GM512SX25	2500 mm	From 6 to 8 mm	1 Pc
GM512DX25	2500 mm	From 6 to 8 mm	1 Pc

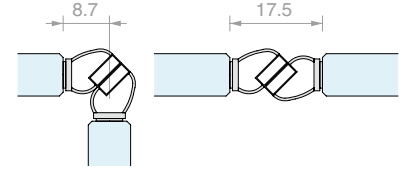


CHD SERIES



PAIR OF 45° ADHESIVE MAGNETIC GASKETS

Material: Co-extruded rigid and soft PVC
Two-sided VHB tape in transparent acrylic foam
- Tri-polar magnet
Maximum operating temperature 70°C
High resistance to UV rays



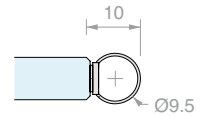
Art.	Length	For glass	Colour	Qty
GMVHB1	2200 mm	From 8 to 12 mm	Transparent	1 Pc
GMVHB1NR	2200 mm	From 8 to 12 mm	Black	1 Pc
GMVHB13000	3000 mm	From 8 to 12 mm	Transparent	1 Pc
GMVHB13000NR	3000 mm	From 8 to 12 mm	Black	1 Pc

CER SERIES



ADHESIVE BALLOON GASKET

Material: Co-extruded rigid and soft PVC
Two-sided VHB tape in transparent acrylic foam
Maximum operating temperature 70°C
High resistance to UV rays



Art.	Length	For glass	Colour	Qty
GMVHB4	2200 mm	From 8 to 12 mm	Transparent	1 Pc
GMVHB4NR	2200 mm	From 8 to 12 mm	Black	1 Pc
GMVHB43000	3000 mm	From 8 to 12 mm	Transparent	1 Pc
GMVHB43000NR	3000 mm	From 8 to 12 mm	Black	1 Pc

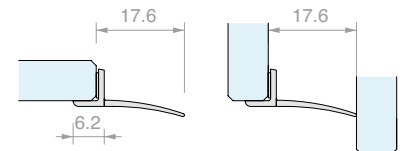
PIVOT SHOWER KIT

PIVOT SHOWER



ADHESIVE GASKET WITH STRAIGHT LIP

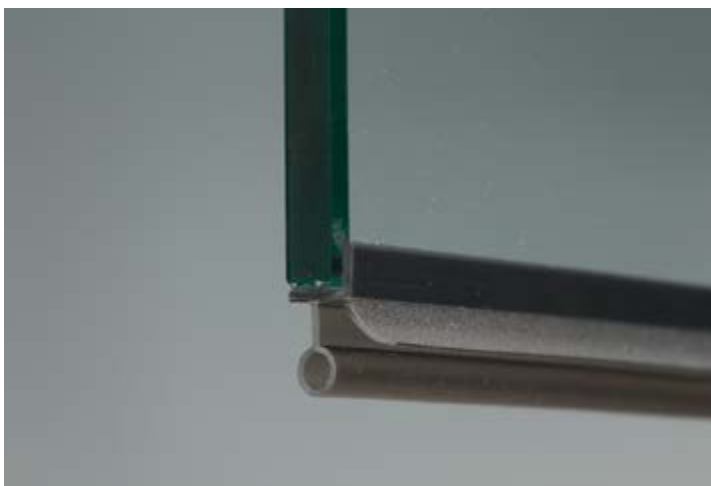
Material: Co-extruded rigid and soft PVC
Two-sided VHB tape in transparent acrylic foam
Maximum operating temperature 70°C
High resistance to UV rays



Art.	Length	For glass	Colour	Qty
GMVHB3	2200 mm	From 8 to 12 mm	Transparent	1 Pc
GMVHB3NR	2200 mm	From 8 to 12 mm	Black	1 Pc
GMVHB33000	3000 mm	From 8 to 12 mm	Transparent	1 Pc
GMVHB33000NR	3000 mm	From 8 to 12 mm	Black	1 Pc

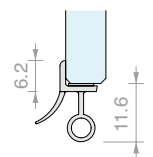
ACCESSORIES FOR SHOWER PARTITIONS

GASKETS



ADHESIVE GASKET WITH BALLOON WATER BARRIER AND DRIP FLAP

Material: Co-extruded rigid and soft PVC
Two-sided VHB tape in transparent acrylic foam
Maximum operating temperature 70°C
High resistance to UV rays



Art.	Length	For glass	Colour	Qty
GMVHB2	2200 mm	From 8 to 12 mm	Transparent	1 Pc
GMVHB2NR	2200 mm	From 8 to 12 mm	Black	1 Pc

**DEGREASING WIPE**

Disposable isopropyl alcohol wipe

Art.	Q.ty
GSLSVL	1 Pc

**FIXGLASS 1000**

Surface preparative for UV bonding.
Product to clean glass before bonding.
This is a concentrated alcohol solution (more than 99%)
It cleans and degreases glass, metal, marble.
ON/OFF nozzle
PRODUCT WITH NO EXPIRY DATE. STORE IN A COOL, SHADY ENVIRONMENT. USE NON-WOVEN TEXTILE CLOTHS FOR APPLICATION.
WARNING: GLOVES RECOMMENDED.
FOR PROFESSIONAL USE

Art.	Size	Qty
FX1000	500 ml	1 Pc

**NON-WOVEN TEXTILE CLOTH**

Product to clean glass before bonding.
Does not leave surface residue.
When used with FIXGLASS 1000, it removes dirt and grease, leaving no streaks.

Art.	Description	Qty
FXTNT01	400 x 250 mm - 50 Cloths	1 Pc

**SILANE GLASS PRIMER 3M VHB**

Adhesion promoter with silane to prepare glass prior to application of VHB two-sided tape.

Procedure:

- The surface must be clean, smooth and dry
- Wet a cloth with the primer
- Apply the primer to the surface, wiping the cloth in only one direction
- Dry the product with a clean, dry cloth immediately after application

Art.	Size	Qty
3MSGP	1000 ml	1 Pc

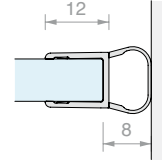


CHD SERIES



BALLOON GASKET

Material: Co-extruded rigid and soft PVC
 Resistant to UV rays
 Fungicide to prevent mould from forming
 Maximum operating temperature 70°C
 Colour: transparent, transparent balloon



Art.	Length	For glass	Qty
GM62	2200 mm	From 6 to 8 mm	1 Pc
GM6225	2500 mm	From 6 to 8 mm	1 Pc
GM6230	3000 mm	From 6 to 8 mm	1 Pc

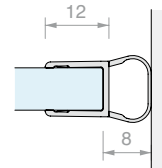
CER SERIES

PIVOT SHOWER KIT



BALLOON GASKET

Material: Co-extruded rigid and soft PVC
 Resistant to UV rays
 Fungicide to prevent mould from forming
 Colour: transparent, embossed balloon



Art.	Length	For glass	Qty
GM05	2000 mm	From 6 to 8 mm	1 Pc
GM0522	2200 mm	From 6 to 8 mm	1 Pc
GM052500	2500 mm	From 6 to 8 mm	1 Pc
GM0530	3000 mm	From 6 to 8 mm	1 Pc

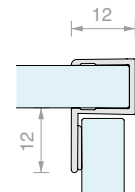
PIVOT SHOWER

ACCESSORIES FOR SHOWER PARTITIONS



90° STRIKE JAMB GASKET

Material: Co-extruded rigid and soft PVC
 Resistant to UV rays
 Fungicide to prevent mould from forming
 Maximum operating temperature 70°C
 Colour: transparent/*black, embossed lip



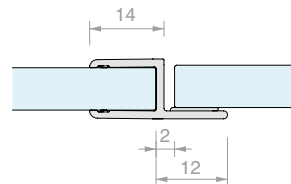
Art.	Length	For glass	Qty
GM58	2200 mm	From 6 to 8 mm	1 Pc
GM58NR*	2200 mm	From 6 to 8 mm	1 Pc
GM5830	3000 mm	From 6 to 8 mm	1 Pc

GASKETS



H-SHAPED GASKET WITH DOOR STRIKER

Material: Co-extruded rigid and soft PVC
 Resistant to UV rays
 Fungicide to prevent mould from forming
 Colour: transparent, embossed lip

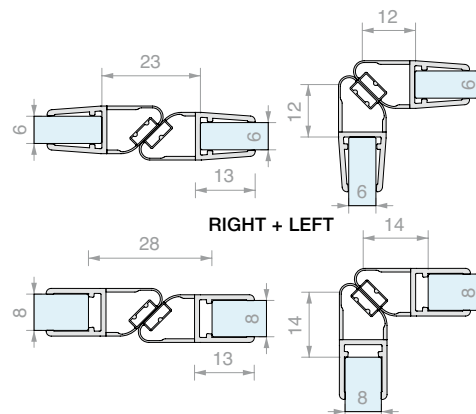


Art.	Length	For glass	Qty
GM01	2000 mm	From 6 to 8 mm	1 Pc
GM012200	2200 mm	From 6 to 8 mm	1 Pc
GM013000	3000 mm	From 6 to 8 mm	1 Pc



45° MAGNETIC GASKET WITH WHITE MAGNET

Material: Co-extruded rigid and soft PVC
 Resistant to UV rays
 Fungicide to prevent mould from forming
 Maximum operating temperature 70°C
 Colour: transparent, transparent balloon, white magnet

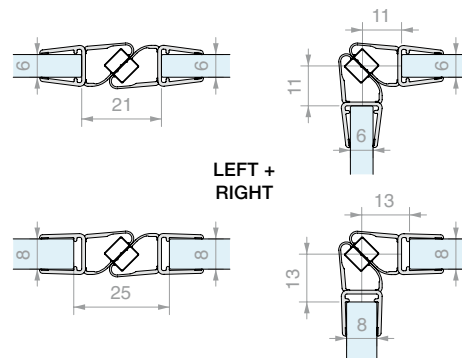


Art.	Length	For glass	Qty
GM62SX	2200 mm	From 6 to 8 mm	1 Pc
GM6230SX	3000 mm	From 6 to 8 mm	1 Pc
GM62DX	2200 mm	From 6 to 8 mm	1 Pc
GM6230DX	3000 mm	From 6 to 8 mm	1 Pc

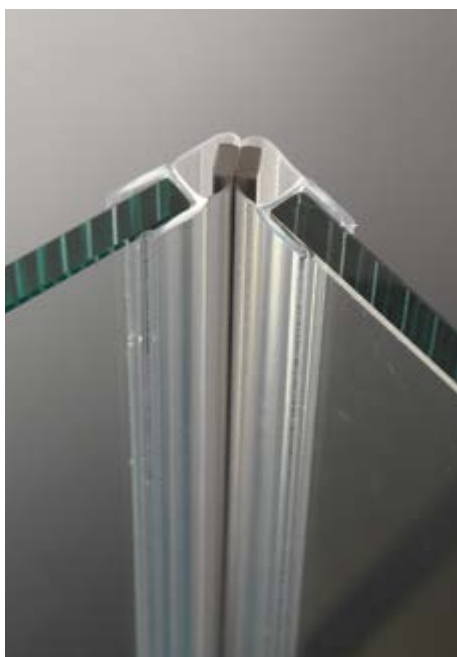


45° MAGNETIC GASKET WITH GREY MAGNET

Material: Co-extruded rigid and soft PVC
 Maximum operating temperature 70°C
 Colour: transparent, embossed balloon, grey magnet



Art.	Length	For glass	Qty
GM12DX20	2000 mm	From 6 to 8 mm	1 Pc
GM12DX22	2200 mm	From 6 to 8 mm	1 Pc
GM12DX25	2500 mm	From 6 to 8 mm	1 Pc
GM12SX20	2000 mm	From 6 to 8 mm	1 Pc
GM12SX22	2200 mm	From 6 to 8 mm	1 Pc
GM12SX25	2500 mm	From 6 to 8 mm	1 Pc





CHD SERIES

CER SERIES

PIVOT SHOWER KIT

PIVOT SHOWER

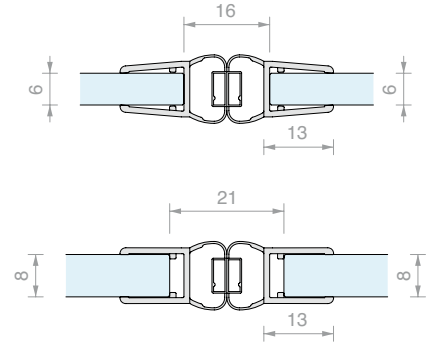
ACCESSORIES FOR SHOWER PARTITIONS

GASKETS



MAGNETIC IN-LINE GASKET WITH WHITE MAGNET

Material: Co-extruded rigid and soft PVC
Resistant to UV rays
Fungicide to prevent mould from forming
Maximum operating temperature 70°C
Colour: transparent, transparent balloon, white magnet



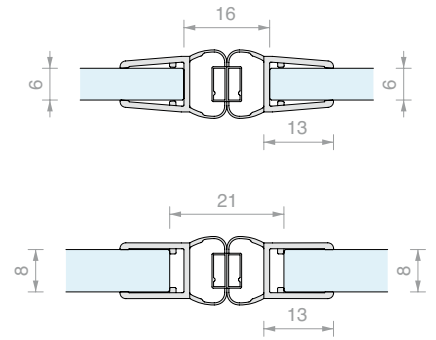
Art.	Length	For glass	Qty
GM66SX	2200 mm	From 6 to 8 mm	1 Pc
GM6630SX	3000 mm	From 6 to 8 mm	1 Pc
GM66DX	2200 mm	From 6 to 8 mm	1 Pc
GM6630DX	3000 mm	From 6 to 8 mm	1 Pc

RIGHT + LEFT



MAGNETIC IN-LINE GASKET WITH BLACK MAGNET

Material: Co-extruded rigid and soft PVC
Resistant to UV rays
Fungicide to prevent mould from forming
Colour: transparent, embossed balloon, black magnet



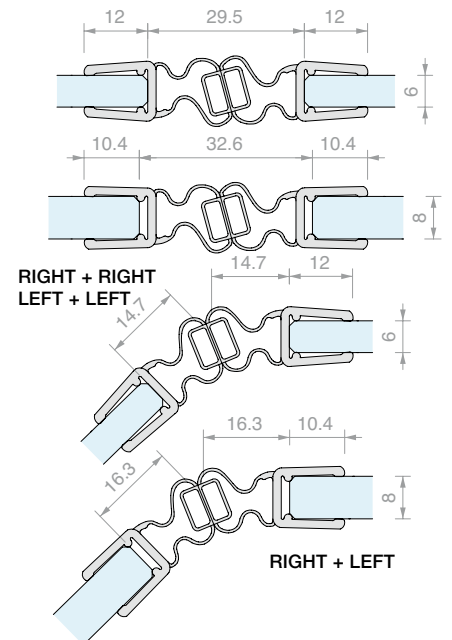
Art.	Length	For glass	Qty
GM11SX	2000 mm	From 6 to 8 mm	1 Pc
GM11SX2500	2500 mm	From 6 to 8 mm	1 Pc
GM11DX	2000 mm	From 6 to 8 mm	1 Pc
GM11DX2500	2500 mm	From 6 to 8 mm	1 Pc

RIGHT + LEFT



135° MAGNETIC GASKET WITH WHITE MAGNET

Material: Co-extruded rigid and soft PVC
Resistant to UV rays
Fungicide to prevent mould from forming
Colour: transparent, embossed balloon, white magnet



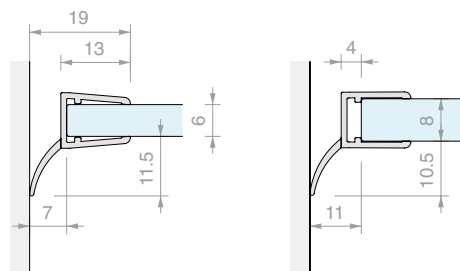
Art.	Length	For glass	Qty
GM13SX2200	2200 mm	From 6 to 8 mm	1 Pc
GM13SX3000	3000 mm	From 6 to 8 mm	1 Pc
GM13DX2200	2200 mm	From 6 to 8 mm	1 Pc
GM13DX3000	3000 mm	From 6 to 8 mm	1 Pc

RIGHT + LEFT

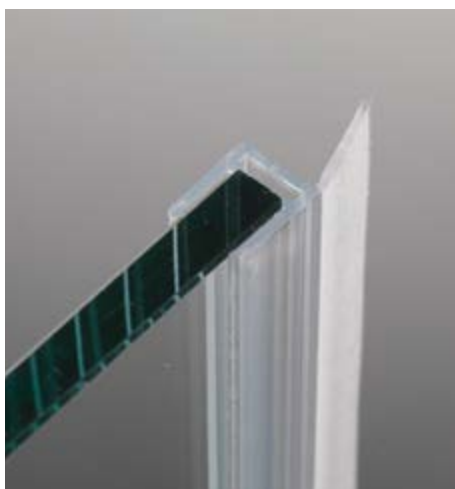


GASKET WITH CURVED LIP

Material: Co-extruded rigid and soft PVC
 Resistant to UV rays
 Fungicide to prevent mould from forming
 Colour: transparent, embossed lip

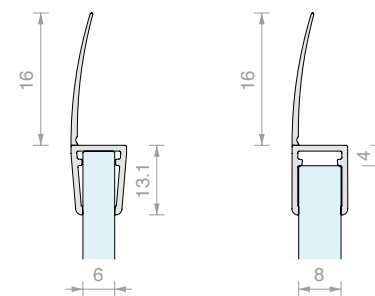


Art.	Length	For glass	Qty
GM0722	2200 mm	From 6 to 8 mm	1 Pc
GM0725	2500 mm	From 6 to 8 mm	1 Pc
GM073000	3000 mm	From 6 to 8 mm	1 Pc



GASKET WITH STRAIGHT LIP

Material: Co-extruded rigid and soft PVC
 Resistant to UV rays
 Fungicide to prevent mould from forming
 Maximum operating temperature 70°C
 Colour: transparent, embossed lip

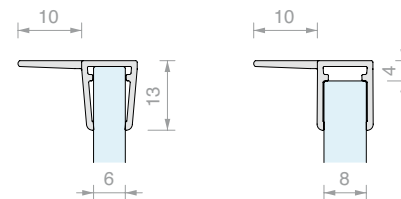


Art.	Length	For glass	Qty
GM7222	2200 mm	From 6 to 8 mm	1 Pc
GM7225	2500 mm	From 6 to 8 mm	1 Pc
GM7230	3000 mm	From 6 to 8 mm	1 Pc

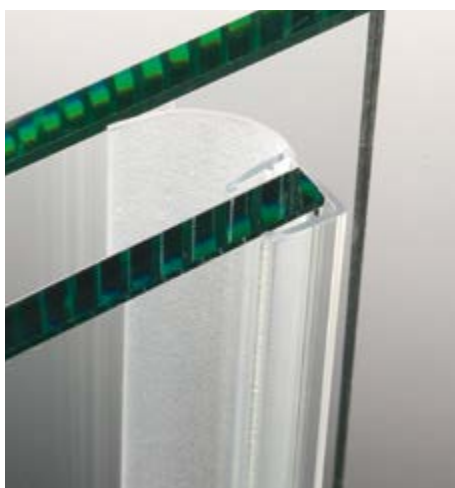


GASKET WITH SIDE LIP

Material: Co-extruded rigid and soft PVC
 Fungicide to prevent mould from forming
 Colour: transparent, embossed lip

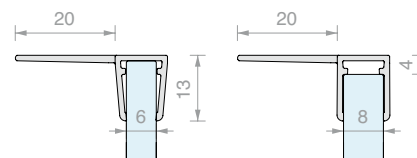


Art.	Length	For glass	Qty
GM7022	2200 mm	From 6 to 8 mm	1 Pc
GM7025	2500 mm	From 6 to 8 mm	1 Pc
GM7030	3000 mm	From 6 to 8 mm	1 Pc



GASKET WITH SIDE LIP

Material: Co-extruded rigid and soft PVC
 Fungicide to prevent mould from forming
 Finishes: transparent, embossed lip



Art.	Length	For glass	Qty
GM702020	2000 mm	From 6 to 8 mm	1 Pc
GM702022	2200 mm	From 6 to 8 mm	1 Pc
GM702030	3000 mm	From 6 to 8 mm	1 Pc



CHD SERIES

CER SERIES

PIVOT SHOWER KIT

PIVOT SHOWER

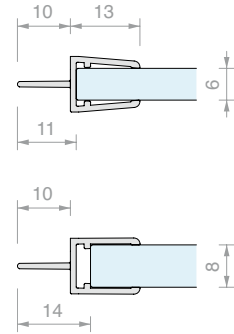
ACCESSORIES FOR SHOWER PARTITIONS

GASKETS

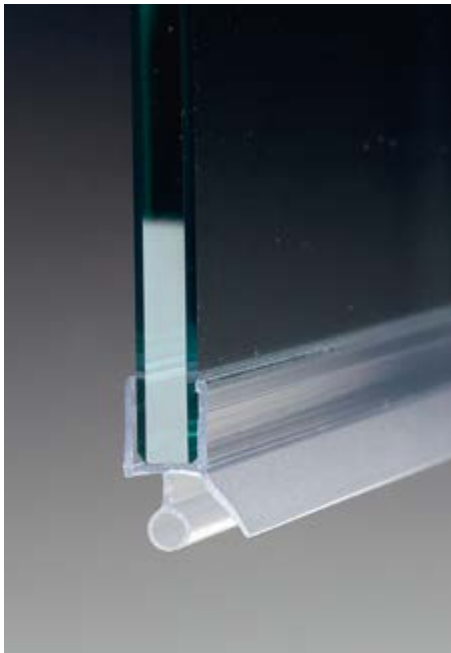


GASKET WITH CENTRAL LIP

Material: Co-extruded rigid and soft PVC
Colour: transparent, embossed lip

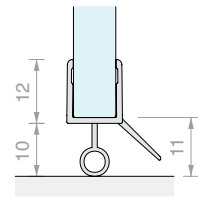


Art.	Length	For glass	Qty
GM8020	2000 mm	From 6 to 8 mm	1 Pc
GM8025	2500 mm	From 6 to 8 mm	1 Pc

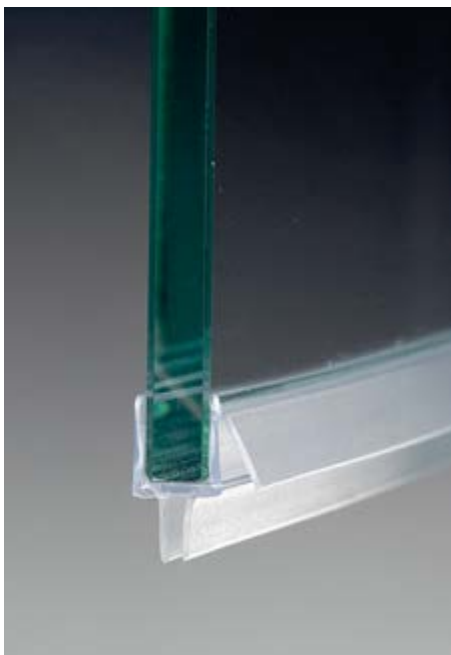


GASKET WITH BALLOON WATER BARRIER AND DRIP FLAP

Material: Co-extruded rigid and soft PVC
Resistant to UV rays
Fungicide to prevent mould from forming
Maximum operating temperature 70°C
Colour: transparent, embossed lip and balloon

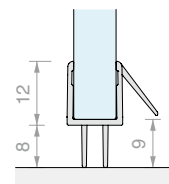


Art.	Length	For glass	Qty
GM6010	1000 mm	From 6 to 8 mm	1 Pc
GM6020	2000 mm	From 6 to 8 mm	1 Pc
GM6025	2500 mm	From 6 to 8 mm	1 Pc
GM6030	3000 mm	From 6 to 8 mm	1 Pc



GASKET WITH DOUBLE-LIP WATER BARRIER AND DRIP FLAP

Material: Co-extruded rigid and soft PVC
Resistant to UV rays
Fungicide to prevent mould from forming
Maximum operating temperature 70°C
Colour: transparent, embossed lips

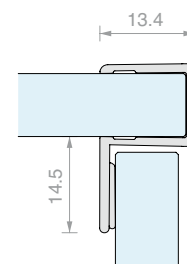


Art.	Length	For glass	Qty
GM5610	1000 mm	From 6 to 8 mm	1 Pc
GM5620	2000 mm	From 6 to 8 mm	1 Pc
GM5625	2500 mm	From 6 to 8 mm	1 Pc
GM5630	3000 mm	From 6 to 8 mm	1 Pc



90° STRIKE JAMB GASKET

Material: Co-extruded rigid and soft PVC
 Resistant to UV rays
 Fungicide to prevent mould from forming
 Maximum operating temperature 70°C
 Colour: transparent, embossed lip

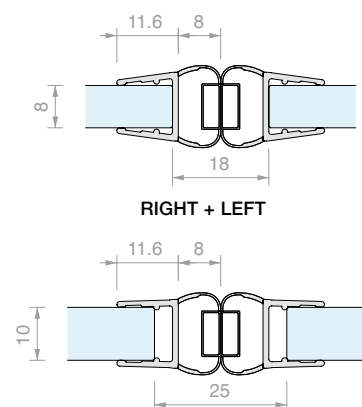


Art.	Length	For glass	Qty
GM5422	2200 mm	From 8 to 10 mm	1 Pc
GM5430	3000 mm	From 8 to 10 mm	1 Pc

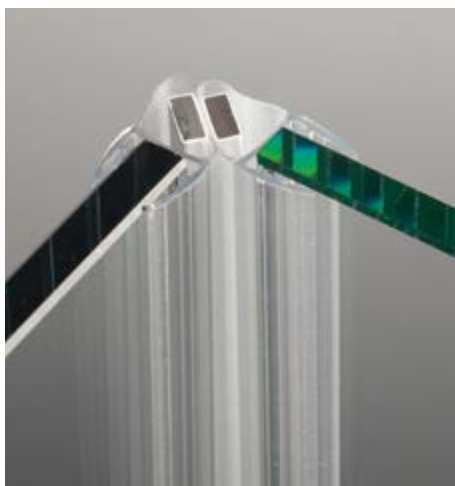


MAGNETIC IN-LINE GASKET

Material: Co-extruded rigid and soft PVC
 Resistant to UV rays
 Fungicide to prevent mould from forming
 Maximum operating temperature 70°C
 Colour: transparent, embossed balloon, white magnet

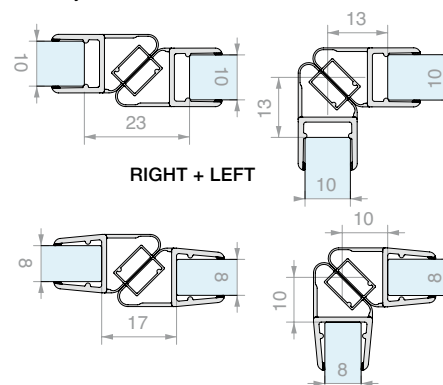


Art.	Length	For glass	Qty
GM1720SX	2200 mm	From 8 to 10 mm	1 Pc
GM1720DX	2200 mm	From 8 to 10 mm	1 Pc
GM17SX	2500 mm	From 8 to 10 mm	1 Pc
GM17DX	2500 mm	From 8 to 10 mm	1 Pc
GM1730SX	3000 mm	From 8 to 10 mm	1 Pc
GM1730DX	3000 mm	From 8 to 10 mm	1 Pc



MAGNETIC 45° GASKET

Material: Co-extruded rigid and soft PVC - Resistant to UV rays
 Fungicide to prevent mould from forming
 Maximum operating temperature 70°C
 Colour: transparent/*black, transparent balloon, white/*black magnet

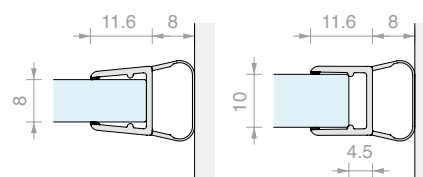


Art.	Length	For glass	Qty
GM1520SX	2200 mm	From 8 to 10 mm	1 Pc
GM1520SXNR*	2200 mm	From 8 to 10 mm	1 Pc
GM1520DX	2200 mm	From 8 to 10 mm	1 Pc
GM1520DXNR*	2200 mm	From 8 to 10 mm	1 Pc
GM15SX	2500 mm	From 8 to 10 mm	1 Pc
GM15DX	2500 mm	From 8 to 10 mm	1 Pc
GM1530SX	3000 mm	From 8 to 10 mm	1 Pc
GM1530DX	3000 mm	From 8 to 10 mm	1 Pc

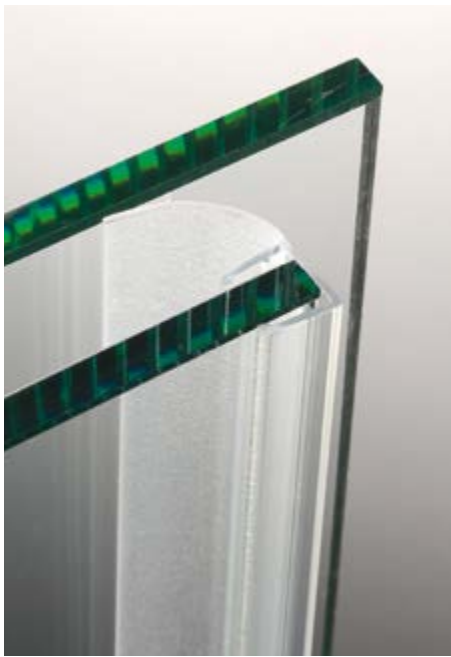


BALLOON GASKET

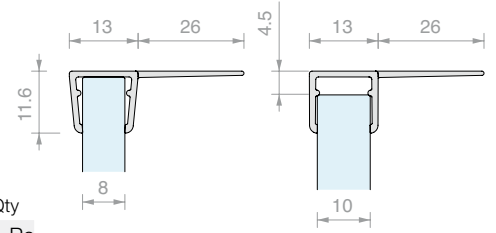
Material: Co-extruded rigid and soft PVC - Resistant to UV rays
 Fungicide to prevent mould from forming
 Colour: transparent/*black, embossed balloon



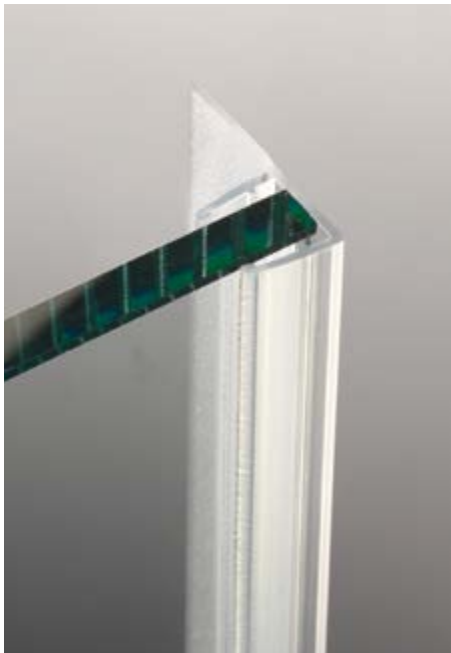
Art.	Length	For glass	Qty
GM06	2000 mm	From 8 to 10 mm	1 Pc
GM0622	2200 mm	From 8 to 10 mm	1 Pc
GM0622NR*	2200 mm	From 8 to 10 mm	1 Pc
GM0625	2500 mm	From 8 to 10 mm	1 Pc
GM0625NR*	2500 mm	From 8 to 10 mm	1 Pc
GM063000	3000 mm	From 8 to 10 mm	1 Pc
GM063000NR*	3000 mm	From 8 to 10 mm	1 Pc

**GASKET WITH LONG SIDE LIP**

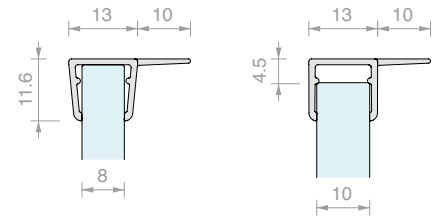
Material: Co-extruded rigid and soft PVC
Resistant to UV rays
Fungicide to prevent mould from forming
Colour: transparent/*black, embossed lip



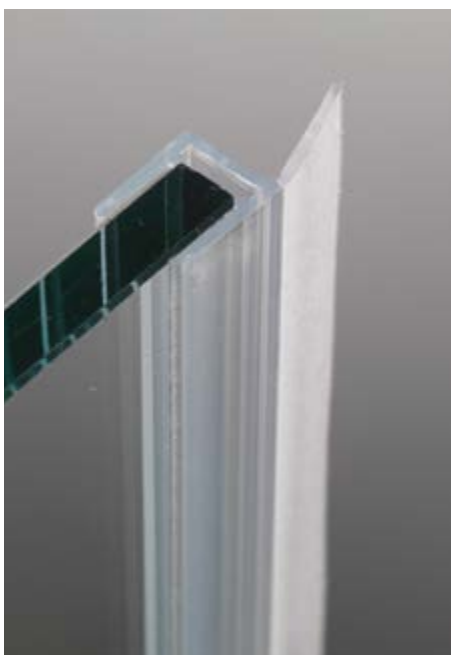
Art.	Length	For glass	Qty
GM014	2000 mm	From 8 to 10 mm	1 Pc
GM01422	2200 mm	From 8 to 10 mm	1 Pc
GM01422NR*	2200 mm	From 8 to 10 mm	1 Pc
GM01425	2500 mm	From 8 to 10 mm	1 Pc
GM01425NR*	2500 mm	From 8 to 10 mm	1 Pc
GM0143000	3000 mm	From 8 to 10 mm	1 Pc
GM0143000NR*	3000 mm	From 8 to 10 mm	1 Pc

**GASKET WITH SHORT SIDE LIP**

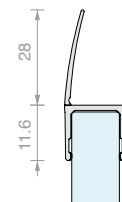
Material: Co-extruded rigid and soft PVC
Fungicide to prevent mould from forming
Colour: transparent, embossed lip



Art.	Length	For glass	Qty
GM01410	2000 mm	From 8 to 10 mm	1 Pc
GM0141022	2200 mm	From 8 to 10 mm	1 Pc
GM0141025	2500 mm	From 8 to 10 mm	1 Pc

**GASKET WITH STRAIGHT LIP**

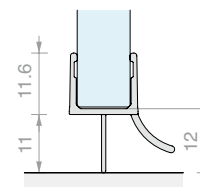
Material: Co-extruded rigid and soft PVC
Fungicide to prevent mould from forming
Colour: transparent, embossed lip



Art.	Length	For glass	Qty
GM04	2000 mm	From 8 to 10 mm	1 Pc
GM0422	2200 mm	From 8 to 10 mm	1 Pc
GM0425	2500 mm	From 8 to 10 mm	1 Pc
GM0430	3000 mm	From 8 to 10 mm	1 Pc

**GASKET WITH LIP WATER BARRIER AND DRIP FLAP**

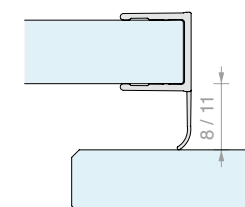
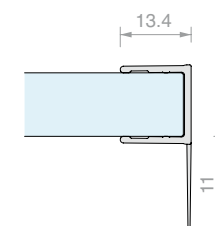
Material: Co-extruded rigid and soft PVC
 Resistant to UV rays
 Fungicide to prevent mould from forming
 Maximum operating temperature 70°C
 Colour: transparent/*black, embossed lips



Art.	Length	For glass	Qty
GM0210	1000 mm	From 8 to 10 mm	1 Pc
GM02	2000 mm	From 8 to 10 mm	1 Pc
GM02NR*	2000 mm	From 8 to 10 mm	1 Pc
GM022500	2500 mm	From 8 to 10 mm	1 Pc
GM022500NR*	2500 mm	From 8 to 10 mm	1 Pc

**GASKET WITH SIDE LIP**

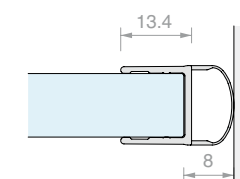
Material: Co-extruded rigid and soft PVC
 Resistant to UV rays
 Fungicide to prevent mould from forming
 Maximum operating temperature 70°C
 Colour: transparent, embossed lip



Art.	Length	For glass	Qty
GM40	2200 mm	From 10 to 12 mm	1 Pc
GM4025	2500 mm	From 10 to 12 mm	1 Pc
GM4030	3000 mm	From 10 to 12 mm	1 Pc

**BALLOON GASKET**

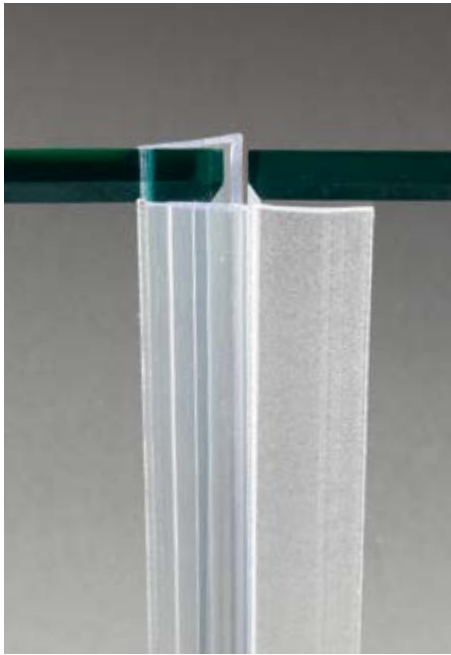
Material: Co-extruded rigid and soft PVC
 Resistant to UV rays
 Fungicide to prevent mould from forming
 Maximum operating temperature 70°C
 Colour: transparent, transparent balloon



Art.	Length	For glass	Qty
GM42	2200 mm	From 10 to 12 mm	1 Pc
GM4225	2500 mm	From 10 to 12 mm	1 Pc
GM4230	3000 mm	From 10 to 12 mm	1 Pc

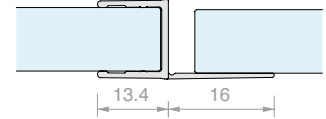


CHD SERIES



GASKET WITH STRAIGHT LIP

Material: Co-extruded rigid and soft PVC
 Resistant to UV rays
 Fungicide to prevent mould from forming
 Maximum operating temperature 70°C
 Colour: transparent, embossed lip



Art.	Length	For glass	Qty
GM44	2200 mm	From 10 to 12 mm	1 Pc
GM4425	2500 mm	From 10 to 12 mm	1 Pc
GM4430	3000 mm	From 10 to 12 mm	1 Pc

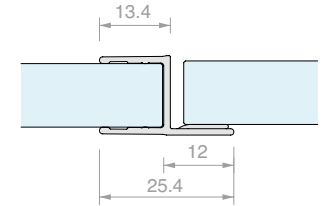
CER SERIES

PIVOT SHOWER KIT



H-SHAPED GASKET WITH DOOR STRIKER

Material: Co-extruded rigid and soft PVC
 Resistant to UV rays
 Fungicide to prevent mould from forming
 Maximum operating temperature 70°C
 Colour: transparent, embossed lip



Art.	Length	For glass	Qty
GM46	2200 mm	From 10 to 12 mm	1 Pc
GM4625	2500 mm	From 10 to 12 mm	1 Pc
GM4630	3000 mm	From 10 to 12 mm	1 Pc

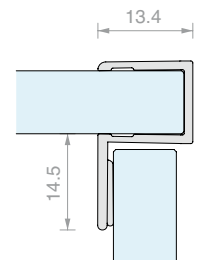
PIVOT SHOWER

ACCESSORIES FOR SHOWER PARTITIONS



90° STRIKE JAMB GASKET

Material: Co-extruded rigid and soft PVC
 Resistant to UV rays
 Fungicide to prevent mould from forming
 Maximum operating temperature 70°C
 Colour: transparent, embossed lip



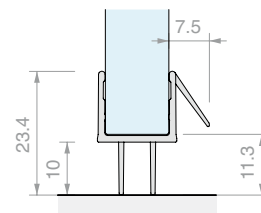
Art.	Length	For glass	Qty
GM50	2200 mm	From 10 to 12 mm	1 Pc
GM5030	3000 mm	From 10 to 12 mm	1 Pc

GASKETS



GASKET WITH DOUBLE-LIP WATER BARRIER AND DRIP FLAP

Material: Co-extruded rigid and soft PVC
 Resistant to UV rays
 Fungicide to prevent mould from forming
 Maximum operating temperature 70°C
 Colour: transparent, embossed lips

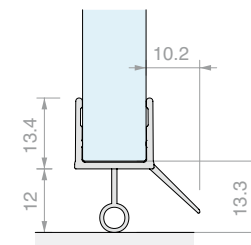


Art.	Length	For glass	Qty
GM4810	1000 mm	From 10 to 12 mm	1 Pc
GM4822	2200 mm	From 10 to 12 mm	1 Pc
GM4825	2500 mm	From 10 to 12 mm	1 Pc
GM4830	3000 mm	From 10 to 12 mm	1 Pc



GASKET WITH BALLOON WATER BARRIER AND DRIP FLAP

Material: Co-extruded rigid and soft PVC
 Resistant to UV rays
 Fungicide to prevent mould from forming
 Maximum operating temperature 70°C
 Colour: transparent, embossed lip and balloon



Art.	Length	For glass	Qty
GM5210	1000 mm	From 10 to 12 mm	1 Pc
GM5222	2200 mm	From 10 to 12 mm	1 Pc
GM5225	2500 mm	From 10 to 12 mm	1 Pc
GM5230	3000 mm	From 10 to 12 mm	1 Pc



SHEARS FOR CUTTING GASKETS

Material: steel with slip-proof handle
 Blade length 50 mm
 With safety latch
 Ambidextrous use.

Art.	Qty
GMPINZ	1 Pc



SHEARS WITH GRADUATED BASE FOR CUTTING GASKETS

Material: steel with slip-proof handle
 Graduated base for inclined cuts
 Blade length 50 mm
 With safety latch
 Ambidextrous use.

Art.	Qty
GMPINZ02	1 Pc

CHD SERIES

CER SERIES

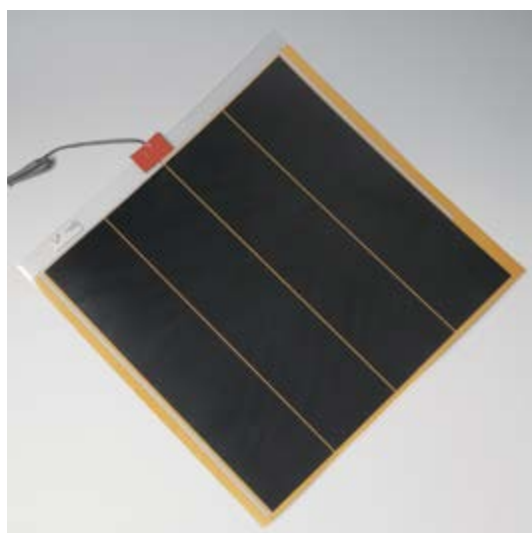
PIVOT SHOWER KIT

PIVOT SHOWER

ACCESSORIES FOR
SHOWER PARTITIONS

GASKETS





STOPVAPOR

The StopVapor defogging panel guarantees perfect clarity of the mirror surface where it is applied.

StopVapor is self-adhesive, meets European safety regulations (EN 60335) and bears CE marking.

Safety standards: This device is exclusively for interior use. Avoid direct contact with water. Install only for intended uses. Do not fold the heating sheet.

Do not apply to metal, plastic, wood, cardboard surfaces. Apply only to mirrors.

Do not install on mirrors with holes.

Maintain a distance of 10 mm between the mirror and wall.

Power cable supplied without plug.

Wiring must be done by qualified personnel.

Warning! If the heating sheet is removed, it CANNOT be reused.

Art.	Dimensions	Power	Voltage - Frequency	Qty
STOPVAPOR0	280 mm x 280 mm	16 watt	230 V - 50 Hz	1 Pc
STOPVAPOR05	410 mm x 280 mm	24 watt	230 V - 50 Hz	1 Pc
STOPVAPOR1	500 mm x 500 mm	55 watt	230 V - 50 Hz	1 Pc
STOPVAPOR3	680 mm x 580 mm	80 watt	230 V - 50 Hz	1 Pc
STOPVAPOR4	850 mm x 580 mm	100 watt	230 V - 50 Hz	1 Pc
STOPVAPOR2	1010 mm x 440 mm	105 watt	230 V - 50 Hz	1 Pc
STOPVAPOR12	1250 mm x 280 mm	70 watt	230 V - 50 Hz	1 Pc
STOPVAPOR13	1380 mm x 400 mm	110 watt	230 V - 50 Hz	1 Pc
STOPVAPOR17	1580 mm x 400 mm	125 watt	230 V - 50 Hz	1 Pc
STOPVAPOR19	1550 mm x 550 mm	170 watt	230 V - 50 Hz	1 Pc



PROTECTIVE ADHESIVE FILM FOR MIRRORS

MACbak 7000 is a polyolefin fabric, spread with an acrylic adhesive, rolled on itself with no protection.

When applied to the back of a mirror, MACbak 7000 meets the requirements of American standard Z97.1-987 and British standard BS6206, category A.

ADHESIVE PERFORMANCE	Average values	Method used
Initial tack (N)	12	FTM 9
Peeling (N/25 mm) on stainless steel		
- 30 mins	10	FTM 1
- 24 hours	12	
Adhesion (hours)	150	FTM 8

TAPE PROPERTIES

Thickness (tape-adhesive)	135 µm	ISO 534
Breaking strength (N)	150	ASTMD 2261
Tensile strength (N/15 mm)	SM200	DIN 53455
	ST 110	

TEMPERATURE RESISTANCE

Minimum application temperature	0°C
Operating temperature range	-40°C/+80°C

CHEMICAL RESISTANCE

(after 24 hours of immersion)

Water	Excellent
Salt water	Excellent
2% detergent	Excellent
SAE 30 oil	Good
Benzene	Good

Art.	Dimensions	Thickness	Qty
PEL31	1078 mm x 30.5 mm	0.13 mm	1 Pc

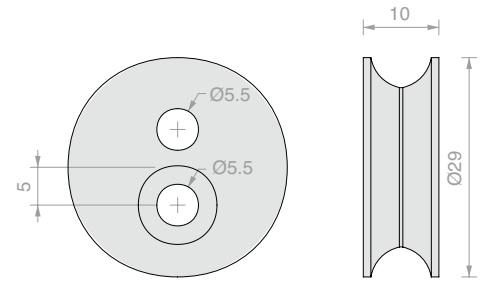


CHD SERIES
CER SERIES
PIVOT SHOWER KIT
PIVOT SHOWER
ACCESSORIES FOR SHOWER PARTITIONS
GASKETS
MIRROR ACCESSORIES



PAIR OF ECCENTRIC FIXINGS FOR SHEET METAL

Material: POM
Colour: White

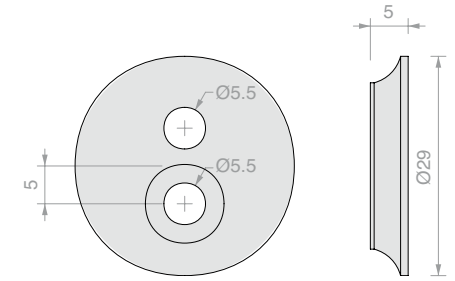


Art.	ATEC5	Q.ty	1 Pc
------	--------------	------	------



PAIR OF ECCENTRIC FIXINGS FOR SHEET METAL

Material: POM
Colour: White

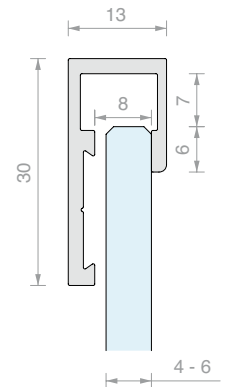


Art.	ATEC0	Q.ty	1 Pc
------	--------------	------	------



SUPPORT PROFILE FOR SINGLE MIRROR

Material: Aluminium
Finish: /1 * /97
* Not available for Art. MTS3000



Art.	For glass	Length	Qty
MTS3000	From 4 to 6 mm	3000 mm	1 Pc
MTS3000KR	From 4 to 6 mm	2997 mm	1 Pc



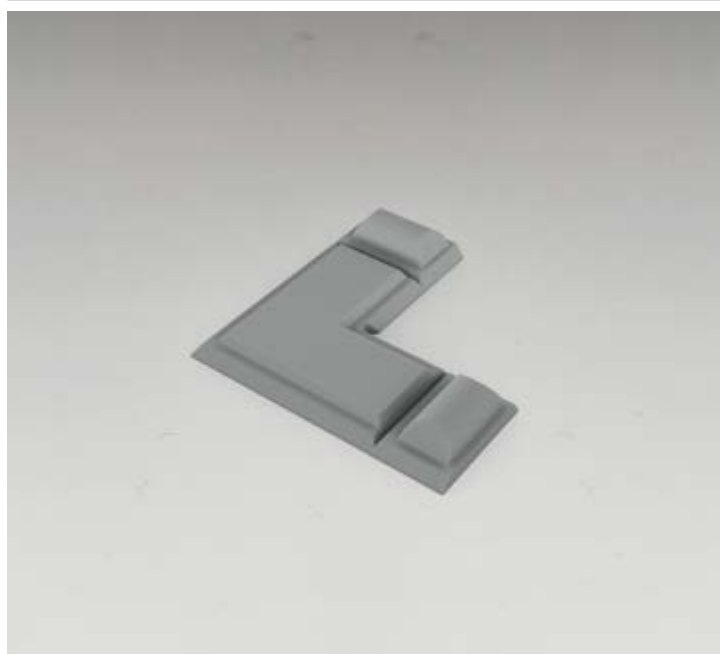
MODULAR LOCKING ACCESSORY

Material: Plastic (POM)

The fixing plate for profiles MTS/MTD may be split at various points to create the right thickness for 4- or 6-mm mirrors and for insertion to the right, left or middle of the profile.

Colour: Light grey

Art.	Qty
MTS10	1 Pc



90° JUNCTION ACCESSORY

Material: Plastic (POM)

The plate allows 2 MTS or MTD profiles to be joined at 90° to create frames with aluminium profiles for holding the mirror.

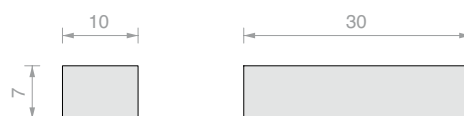
Colour: Light grey

Art.	Qty
MTS90	1 Pc



PLASTIC SHIMS

Insert the shim in the MTS and MTD profiles under the mirror about every 200 mm.



Art.	Package	Qty
SPE2397	≈ 400 Pc	1 kg



CHD SERIES

CER SERIES

PIVOT SHOWER KIT

PIVOT SHOWER

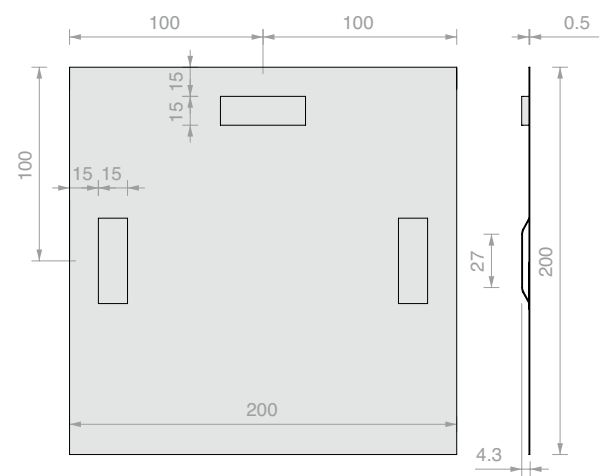
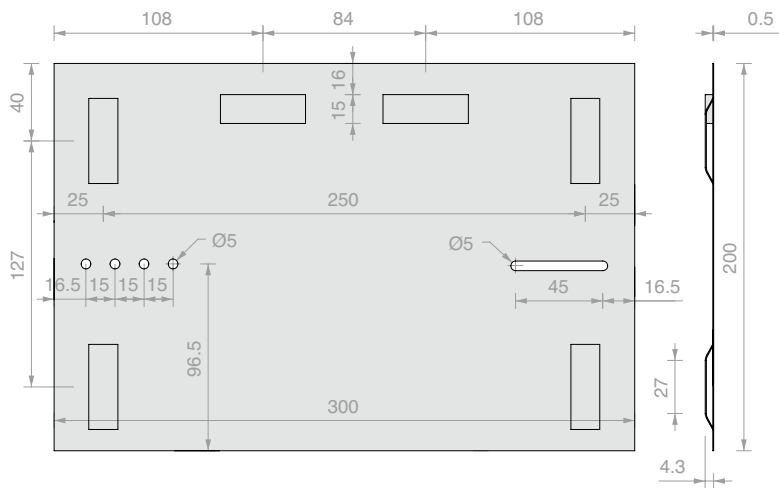
ACCESSORIES FOR SHOWER PARTITIONS

GASKETS

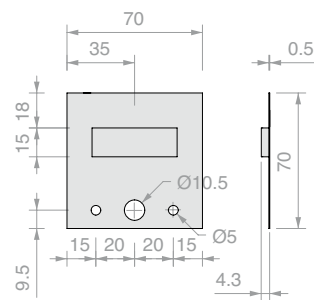
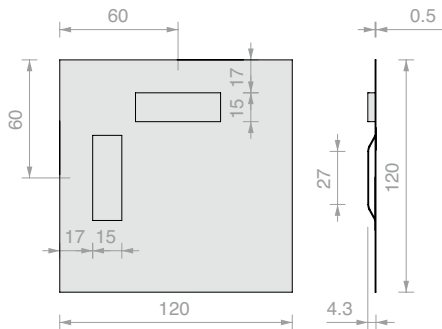
MIRROR ACCESSORIES

PLATE FOR ANCHORING MIRRORS

Material: Pre-painted AVP sheet metal
With holes for anchoring
to accessories ATEC0 and ATEC5.



Art.	Dimensions	Qty	Art.	Dimensions	Qty
LR300	H 200 x 300 mm	1 Pc	LR320	H 200 x 200 mm	1 Pc



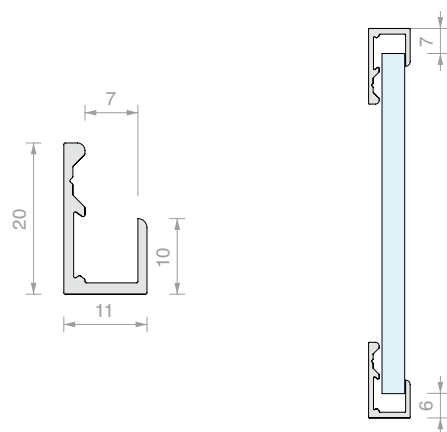
Art.	Dimensions	Qty	Art.	Dimensions	Qty
LR400	H 120 x 120 mm	1 Pc	LR500	H 70 x 70 mm	1 Pc



W61 PROFILE FOR MIRROR SUPPORT

Material: Aluminium

Finish: /97



Art.	Length	Qty
W61250	2498 mm	1 Pc
W61500	5000 mm	1 Pc

END CAPS FOR W61 PROFILES

Material: Plastic
Colour: Light grey



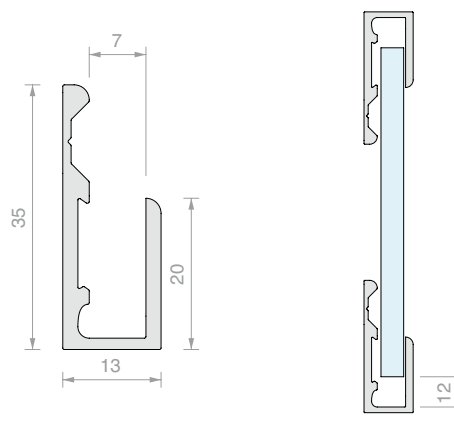
Art.	Description	Qty	Art.	Description	Qty
W61TSX	Left	1 Pc	W61TDX	Right	1 Pc



W63 PROFILE FOR MIRROR SUPPORT

Material: Aluminium

Finish: /97



Art.	Length	Qty
W63250	2498 mm	1 Pc
W63500	5000 mm	1 Pc

END CAPS FOR W63 PROFILES

Material: Plastic
Colour: Light grey



Art.	Description	Qty	Art.	Description	Qty
W63TSX	Left	1 Pc	W63TDX	Right	1 Pc



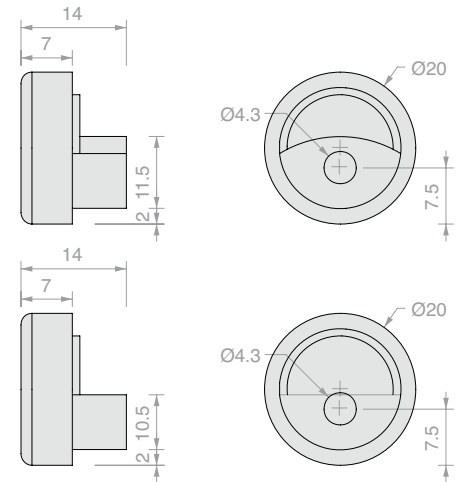
CHD SERIES
CER SERIES
PIVOT SHOWER KIT
PIVOT SHOWER
ACCESSORIES FOR SHOWER PARTITIONS
GASKETS
MIRROR ACCESSORIES



4 MIRROR HOLDERS 20

Material: Brass

Finish: /1



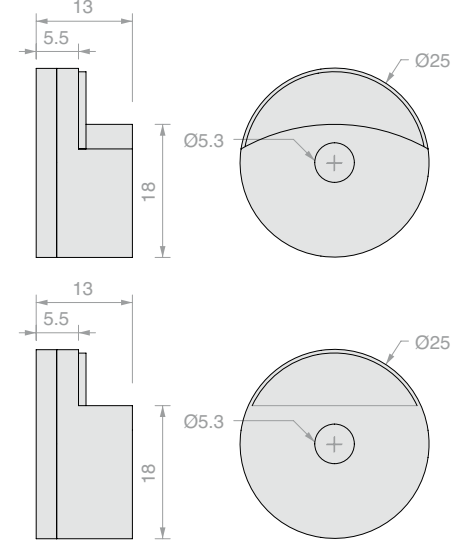
Art.	For glass	Qty
MIR20	6 mm	1 Pc



4 MIRROR HOLDERS 25

Material: Brass

Finish: /1



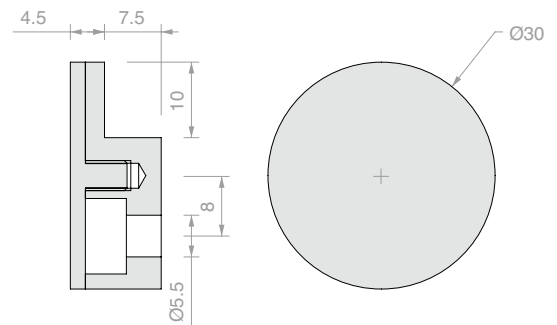
Art.	For glass	Qty
MIR25	6 mm	1 Pc



MIRROR HOLDERS 30

Material: Brass

Finish: /1 /3



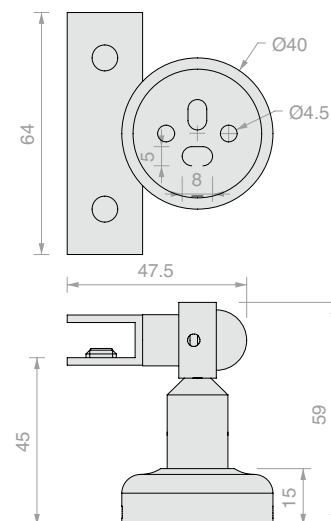
Art.	For glass	Qty
MIR30	From 4 to 6 mm	1 Pc



PAIR OF TILTING MIRROR HOLDERS

Material: Brass

Finish: /1



Art.	For glass	Qty
MHAS01	From 4 to 6 mm	1 Pc



4 ESCO MIRROR HOLDERS

Material: Brass

Dimensions: L 20 mm x H 28 mm interior 7 mm

Finish: /1

Art.	For glass	Distance from wall	Qty
GAN001	From 4 to 6 mm	6 mm	1 Pc



4 VITRUM MIRROR HOLDERS

Material: Steel and PVC

Dimensions: L 25 mm x H 36 mm interior 7 mm

Finish: /6/9

Art.	For glass	Distance from wall	Qty
GAN002	4 mm	6 mm	1 Pc
GAN003	6 mm	6 mm	1 Pc



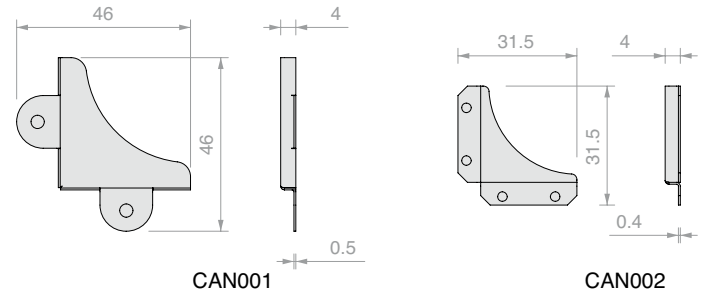
CHD SERIES
CER SERIES
PIVOT SHOWER KIT
PIVOT SHOWER
ACCESSORIES FOR SHOWER PARTITIONS
GASKETS
MIRROR ACCESSORIES



CORNERS FOR MIRRORS

Material: Brass

Finish: /95



Art.	For glass	Package	Qty
CAN001	4 mm	100 Pcs	1 Pc
CAN002	4 mm	100 Pcs	1 Pc



ROUND CONCAVE MIRROR

2X magnification

Art.	Dimensions	Thickness	Qty
SPECTOND1	Ø200 mm	2 mm	1 Pc
SPECTOND2	Ø250 mm	2 mm	1 Pc
SPECTOND3	Ø300 mm	2 mm	1 Pc



ANALYTICAL
INDEX
VOLUME 4





Art.	Page	Art.	Page	Art.	Page	Art.	Page	Art.	Page
057.3078.002	77	BT31	423	CANANG32	419	CHDA500G	299	CMIRR10.3000	421
3MSGP	429	BT3322	369	CANANG33	419	CHDA55	299	CMIRR8.2000	421
ATEC0	442	BT3325	369	CANANG34	419	CHDA55G	299	CMIRR8.3000	421
ATEC5	442	BT3520	423	CBD500	390	CHDA65	299	CMIR RTP10	421
BDBIL81001	352	BT3525	423	CBD580	391	CHDA65G	299	CMIR RTP8	421
BDBIL81003	352	CAN0015	448	CER26	336	CHDA75	299	CPM247	397
BDCER81001	314	CAN0025	448	CER27	336	CHDA75G	299	CSP75	294
BDCER81003	316	CANAL06	419	CER28	338	CHDA83	300	CSP85	294
BDCER81005	318	CANAL1	419	CER29	339	CHDA85	300	DCC08	104
BDCER81007	320	CANAL12	419	CER31	341	CHDA851	300	DCC10	104
BDCER81013	322	CANAL13	419	CER32	342	CHDA86	301	DCC218	143
BDCER81015	324	CANAL16	419	CER33	343	CHDA861	301	DCC220	143
BDCHD6801	253	CANAL2	419	CER700	376	CHDA88	301	DCC90	52
BDCHD6803	257	CANAL22	419	CER700UV	374	CHDA90	301	DCC90SQ	52
BDCHD6805	261	CANAL23	419	CER720	377	CHDA901	301	DCCFLAT003	117
BDCHD6813	265	CANAL26	419	CER720UV	375	CHDA93	301	DCCFLAT007	119
BDCHD6815	269	CANAL3	419	CER800	384	CHDM41	296	DCCFLAT009	121
BDCHD81001	253	CANAL32	419	CER880	385	CHDM43	296	DCCFLAT011	123
BDCHD81003	257	CANAL33	419	CERPT80SQ	357	CHDM45	297	DCCFT12	125
BDCHD81005	261	CANAL34	419	CERZ31	386	CHDM47	297	DCCFT16	125
BDCHD81013	265	CANALH88	420	CERZ3180	388	CHDM52	297	DCCFT18	125
BDCHD81015	269	CANALH90	420	CERZ33	387	CHDM57	296	DCCFT20	102
BDFIX10	108	CANALH92	420	CHD10	279	CHDMP1	302	DCCFT90	124
BDFIX2-DX	107	CANALM01	421	CHD10COV	278	CHDMP2	302	DCCFTMUR	124
BDFIX2-SX	107	CANALM012	421	CHD1135	284	CHDMP3	302	DCCFTVET	124
BDFIX5-DX	108	CANALM02	421	CHD12	280	CHDMP4	302	DCCFTVW	124
BDFIX5-SX	108	CANALM022	421	CHD14	282	CHDT1000	298	DCS108	80
BDFIX7-DX	108	CANALM03	421	CHD180	283	CHDT1000G	298	DCS110	80
BDFIX7-SX	108	CANALM032	421	CHD190	283	CHDT1500	298	DCS206	51
BDFIX8	108	CANALSF48	420	CHD20	286	CHDT1500G	298	DCS208	51
BDFIX-DX	107	CANALSF50	420	CHD20COV	285	CHDT500	298	DCU108	80
BDFIX-SX	107	CANALSF52	420	CHD22	287	CHDT500G	298	DCU108SCT	79
BDSQ6801	167	CANALSU66	420	CHD24	288	CL105	295	DCU110SCT	79
BDSQ6803	171	CANALSU68	420	CHD24P	288	CLK20	396	DCU206	51
BDSQ6805	175	CANALSU70	420	CHD280	290	CLKM27	396	DCU206SCT	51
BDSQ6807	179	CANALSU72	420	CHD280P	290	CLM19	295	DCU208	51
BDSQ6813	183	CANANG1	419	CHD290	292	CLM25	397	DCU208SCT	51
BDSQ6815	187	CANANG12	419	CHDA05	300	CLP23	294	DQ30	205
BDSQ81001	167	CANANG13	419	CHDA06	300	CLPM29	294	DQ30COV	204
BDSQ81003	171	CANANG14	419	CHDA08	300	CLS18	295	DQ30SGCOV	152
BDSQ81005	175	CANANG2	419	CHDA1000	299	CLS24	397	DQ30SGPVT	153
BDSQ81007	179	CANANG22	419	CHDA1000G	299	CLS245	396	DQ3135	210
BDSQ81013	183	CANANG23	419	CHDA1500	299	CLS68	398	DQ32	206
BDSQ81015	187	CANANG24	419	CHDA1500G	299	CLS70	398	DQ34	207
BT28	423	CANANG3	419	CHDA500	299	CMIRR10.2000	421	DQ37	211



Art.	Page	Art.	Page	Art.	Page	Art.	Page	Art.	Page
DQ375	212	DQC575	227	FXTNT01	429	GLMBDLN15	142	GM014	109
DQ380	208	DQC58	227	G35KIT01	44	GLMBRM	142	GM01410	78
DQ380SG	154	DQC59	227	G35KIT02	44	GLMBRV	142	GM0141022	78
DQ390	209	DQC61	228	G35KIT03	44	GLMDCCFORO	125	GM0141025	78
DQ40	217	DQC63	228	G35KIT04	44	GLMDSTP	143	GM01422	109
DQ40COV	216	DQC65	228	G35KIT05	45	GLMDSTV	143	GM01422NR	109
DQ40SGCOV	156	DQM09	231	G35KIT06	45	GLMFLAT028DX	97	GM01425	109
DQ40SGPVT	157	DQM11	231	G35KIT07	45	GLMFLAT028SX	97	GM01425NR	109
DQ4135	224	DQM41	229	G35KIT08	45	GLMFLAT030	91	GM0143000	109
DQ42	218	DQM43	229	G35S10DMP	34	GLMFLAT032DX	98	GM0143000NR	109
DQ44	219	DQM45	230	G35S10STP	34	GLMFLAT032SX	98	GM02	245
DQ44P	219	DQM47	230	G35S20DMP	36	GLMFLAT034	92	GM0210	245
DQ475	225	DQM49	231	G35S20STP	36	GLMFLAT036	100	GM022500	245
DQ480	221	DQM50	230	G35S30DMP	38	GLMFLAT038	95	GM022500NR	245
DQ480P	222	DQM52	229	G35S30STP	38	GLMFLAT040DX	99	GM02NR	245
DQ480SG	158	DQM57	229	G35S40DMP	40	GLMFLAT040SX	99	GM04	245
DQ490	223	DQMP2	235	G35S40STP	40	GLMFLAT042	93	GM0422	245
DQA05	234	DQMP4	235	G35U10DMP	27	GLMFLATMUR	101	GM0425	245
DQA06	234	DQMP6	235	G35U10STP	27	GLMFLATVET	101	GM0430	245
DQA08	234	DQMP7	235	G35U20DMP	29	GLMFORO	142	GM05	48
DQA1000	233	DQMP8	235	G35U20STP	29	GLMFT1000	125	GM0522	48
DQA1500	233	DQMP9	235	G35U30DMP	31	GLMFT12	101	GM052500	48
DQA500	233	DQP2525	236	G35U30STP	31	GLMFT14	102	GM0530	48
DQA55	233	DQP365	236	G35U40DMP	33	GLMFT16	102	GM06	77
DQA65	233	DQP375	236	G35U40STP	33	GLMFT18	102	GM0622	77
DQA75	233	DQP385	236	G50KIT01	74	GLMFT2000	125	GM0622NR	77
DQA83	234	DQPD.100-DX	354	G50KIT02	74	GLMFT30	104	GM0625	77
DQA85	234	DQPD.100-SX	354	G50KIT03	74	GLMFT3000	125	GM0625NR	77
DQA86	234	DQT1000	232	G50KIT04	74	GLMFT37	126	GM063000	77
DQA8670	234	DQT1500	232	G50KIT05	75	GLMFT40	104	GM063000NR	77
DQA87	234	DQT500	232	G50S10	68	GLMFT50	104	GM0722	433
DQA88	235	DQTS2525	236	G50S20	70	GLMFT90	126	GM0725	433
DQA89	235	DQX1000	232	G50U10	61	GLMKIT301	136	GM073000	433
DQA90	235	DQX1500	232	G50U20	63	GLMKIT303	138	GM11DX	49
DQA93	235	DQX500	232	G50U30	65	GLMKIT305	140	GM11DX2500	49
DQA99	235	FOL1010.30	243	G50U40	67	GLMKIT701	137	GM11SX	49
DQAP.100	356	FOL1515.30	243	GAN001	446	GLMKIT703	139	GM11SX2500	49
DQC35	214	FOL2020.30	243	GAN002	446	GLMRCT	141	GM12DX20	244
DQC37	214	FOP10.30	243	GAN003	446	GLMSFORO	101	GM12DX22	244
DQC38	214	FOP15.30	243	GLM3000	141	GLMSPA08	127	GM12DX25	244
DQC39	215	FOP20.30	243	GLM3020	143	GLMSPA10	127	GM12SX20	244
DQC395	215	FOU1009.30	243	GLM3023	143	GLMTND10	142	GM12SX22	244
DQC51	226	FOU1011.30	243	GLM3050	141	GM01	431	GM12SX25	244
DQC53	226	FOU1013.30	243	GLM7000	141	GM012200	431	GM13DX2200	432
DQC55	226	FX1000	429	GLMAN	141	GM013000	431	GM13DX3000	432



Art.	Page	Art.	Page	Art.	Page	Art.	Page	Art.	Page
GM13SX2200	432	GM5620	109	GMVHB1NR	428	LM3538.100	46	MF300A	406
GM13SX3000	432	GM5625	109	GMVHB2	428	LM3538.150	46	MF300B	406
GM1520DX	78	GM5630	109	GMVHB2NR	428	LM3538.200	46	MF350	367
GM1520DXNR	78	GM57022	427	GMVHB3	428	LM3538.300	46	MF600A	405
GM1520SX	78	GM57025	427	GMVHB33000	428	LM5859.100	75	MF600B	405
GM1520SXNR	78	GM58	244	GMVHB33000NR	428	LM5859.150	75	MF9812	402
GM1530DX	78	GM5830	244	GMVHB3NR	428	LM5859.200	75	MFAC1000	399
GM1530SX	78	GM58NR	244	GMVHB4	428	LM5859.300	75	MFBOC	404
GM15DX	78	GM6010	244	GMVHB43000	428	LMU20.150	410	MFCC11	399
GM15SX	78	GM6020	244	GMVHB43000NR	428	LMU20.300	410	MFCC13	399
GM1720SX	79	GM6025	244	GMVHB4NR	428	LMU20B.150	238	MFCC15	399
GM1730SX	79	GM6030	244	GOC009	81	LMU20B.220	238	MFCC17	399
GM17SX	79	GM62	244	GOCCHIA08	81	LMU20B.300	238	MFCC20	399
GM40	437	GM6225	244	GSL3000	358	LMU20TP	411	MFCC28	399
GM4025	437	GM6230	244	GSL812	358	LMU20TPB	238	MHAS01	446
GM4030	437	GM6230DX	48	GSLSVL	359	LMU86B.100	238	MIR20	446
GM42	437	GM6230SX	48	GTUP2	369	LMU86B.150	238	MIR25	446
GM4225	437	GM62DX	48	GTUP2G	369	LMU86B.300	238	MIR30	446
GM4230	437	GM62SX	48	GTUP2N	369	LR300	444	MORS001	344
GM44	438	GM6630DX	432	GTUP3	369	LR320	444	MORS002	344
GM4425	438	GM6630SX	432	GTUP3G	369	LR400	444	MORS0023	344
GM4430	438	GM66DX	432	GTUP3N	369	LR500	444	MORS003	344
GM46	438	GM66SX	432	GTUP4	369	MAN500V150	53	MORS004	345
GM4625	438	GM702020	49	GTUP4G	369	MF007100	401	MORS005	345
GM4630	438	GM702022	49	GTUP4N	369	MF008670	401	MORS033	345
GM4810	439	GM702030	49	GTUP5	369	MF02	404	MORSZ001	422
GM4822	439	GM7022	433	GTUP5G	369	MF04	404	MORSZ002	422
GM4825	439	GM7025	433	GTUP5N	369	MF05	404	MTS10	443
GM4830	439	GM7030	433	GTUP6	369	MF06	404	MTS3000	442
GM50	438	GM7222	433	GTUP6G	369	MF06100	400	MTS3000KR	442
GM5030	438	GM7225	433	GTUP6N	369	MF06130	400	MTS90	443
GM50522	426	GM7230	433	HAND10052VHB	53	MF06160	400	MU30095	406
GM50525	426	GM8020	434	HAND10057VHB	129	MF09410	403	MU30095N	406
GM512DX25	427	GM8025	434	HAND13040VHB	53	MF09410C20	403	MU30135	406
GM512SX25	427	GM880607	51	HAND6640VHB	53	MF09413	403	MU30135N	406
GM5210	439	GM880615	51	LM0859.100	75	MF09430	402	NV3100	240
GM5222	439	GM900807	51	LM0859.150	75	MF10	403	NV3200	240
GM5225	439	GM900815	80	LM0859.200	75	MF1000	403	NV3300	240
GM5230	439	GM921007	80	LM0859.300	75	MF12	403	NV3400DX	240
GM5422	245	GM921015	80	LM3515.075	46	MF127	346	NV3400SX	240
GM5430	245	GMPINZ	439	LM3515.10045	46	MF129	346	NV3500	240
GM56010	426	GMPINZ02	439	LM3515.150	46	MF1300	403	NV3600	240
GM56020	426	GMVHB1	428	LM3515.15045	46	MF1515	347	OPEN01CHD	275
GM56025	426	GMVHB13000	428	LM3515.200	46	MF1600	403	OPEN01DQ	195
GM5610	109	GMVHB13000NR	428	LM3515.300	46	MF2890	406	OPEN01FOR10	199



Art.	Page	Art.	Page	Art.	Page	Art.	Page
OPEN01FOR8	199	PROFALL0820KR	415	PTUPSQD	368	STOPVAPOR13	441
OPEN01LMUDQ	197	PROFALL1020	413	PTUPSQGUAV	367	STOPVAPOR17	441
OPEN01LMUMF	333	PROFALL1020KR	415	S1180	380	STOPVAPOR19	441
OPEN01MORS	331	PROFALL1225	413	S150	378	STOPVAPOR2	441
OPEN01NOVI	201	PROFALL1240	413	S153	379	STOPVAPOR3	441
OPEN03CHD	273	PROFALL1425	413	S190	381	STOPVAPOR4	441
OPEN03DQ	191	PROFALL1440	413	S4500	392	TS25006	243
OPEN03LMUDQ	193	PROTAP0820	413	S600	382	TS250065	243
OPEN03LMUMF	329	PROTAP0820KR	415	S603	383	TS25009	243
OPEN03MORS	327	PROTAP1020	413	SAS020	404	TS25012	243
PBCAL10	49	PROTAP1020KR	415	SCR001	398	TS250125	243
PBD3183	46	PROTAP1225	413	SFH100	393	TS250155	243
PBD3183.150	46	PROTAP1240	413	SFH101	393	TS25019	243
PBD3183.220	46	PROTAP1425	413	SFH102	394	UTR65	412
PBD3183KR	415	PROTAP1440	413	SFH103	394	VETCIL35	303
PBD3184	47	PROTAP1520	412	SFH801	395	W61250	445
PBD3184.100	47	PROTAP1530	412	SFH802	395	W61500	445
PBD3184.150	47	PROTAP1720	412	SFH803	395	W61TDX	445
PBD3184KR	415	PROTAP1730	412	SP2255	302	W61TSX	445
PBD3186	47	PROTAP1920	412	SP2255GD	303	W63250	445
PBD3186.100	47	PROTAP1930	412	SP255	303	W63500	445
PBD3186.150	47	PTBH1964	372	SPD01	407	W63TDX	445
PBD86TP	47	PTUP2261-DX	370	SPD03	407	W63TSX	445
PBDTP	47	PTUP2261-SX	370	SPD05	407		
PEL31	441	PTUP26	368	SPD071000	407		
PESQ0810.075	48	PTUP30	369	SPD072000	407		
PESQ0810.150	48	PTUPSQ-11	364	SPD09	407		
PESQ0810.300	48	PTUPSQ-1130	366	SPD092300	416		
PESQ0810B.100	238	PTUPSQ2016	362	SPD112300	416		
PESQ0810B.150	238	PTUPSQ2018	362	SPD132300	416		
PESQ0810B.300	238	PTUPSQ2036	364	SPD153308	416		
PMAN1332	359	PTUPSQ2038	364	SPD153310	416		
POM2525	236	PTUPSQ-6130	366	SPD153508	416		
POMZ001	422	PTUPSQ-61C	366	SPE2392	52		
POMZ002	422	PTUPSQ-61L	366	SPE2393	52		
PQ95	102	PTUPSQ-66	366	SPE2394	52		
PROALUX1520	412	PTUPSQ-6630	366	SPE2395	52		
PROALUX1530	412	PTUPSQ-8130	366	SPE2397	443		
PROALUX1720	412	PTUPSQ-81C	366	SPECTOND1	448		
PROALUX1730	412	PTUPSQ-81L	366	SPECTOND2	448		
PROALUX1920	412	PTUPSQ-88	366	SPECTOND3	448		
PROALUX1930	412	PTUPSQ-8830	366	STOPVAPOR0	441		
PROALUXG	412	PTUPSQACCM	367	STOPVAPOR05	441		
PROALUXG400	412	PTUPSQACCV	367	STOPVAPOR1	441		
PROFALL0820	413	PTUPSQANG	368	STOPVAPOR12	441		

The information provided is for information purposes only.
Saint-Gobain Logli S.r.l. reserves the right to make changes of any nature
at any time to one or more products, or to cease their production.
The General Terms of Sale can be found in the catalogue.



SAINT-GOBAIN LOGLI S.R.L.

Via Chemnitz, 49/51

59100 Prato - Italy

www.sg-logli.it

info.logli@saint-gobain.com