



logli
SAINT-GOBAIN

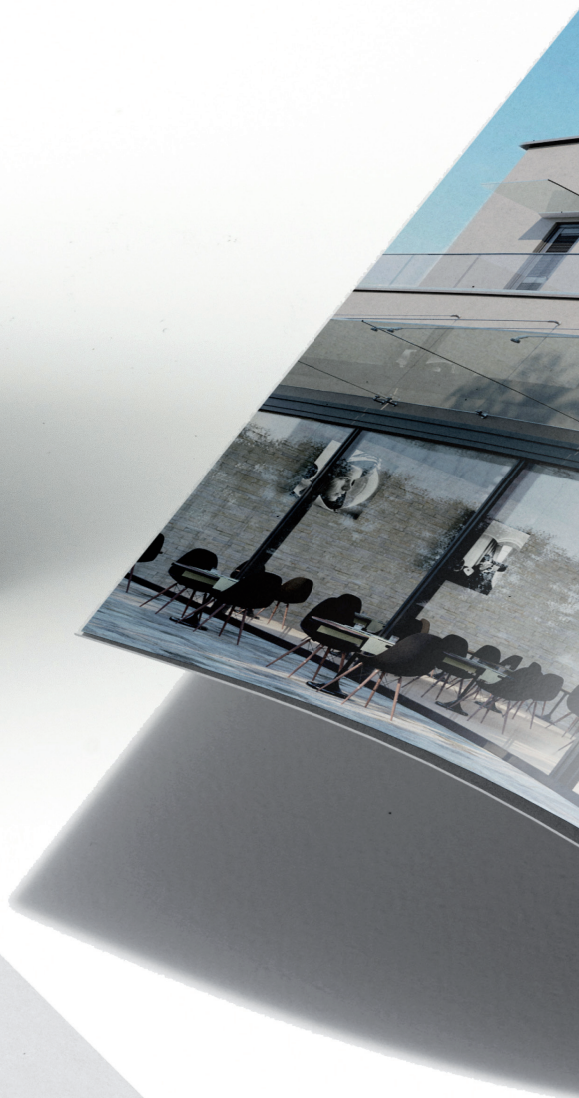
OUTDOORS

Canopies

Sliding doors

Facades


SAINT-GOBAIN



All **Logli solutions**
in a **single** place.

Volume 1
BALUSTRADES

Volume 2
OUTDOORS

Volume 3
INDOORS

Volume 4
SHOWERS

Volume 5
ARRANGEMENT

Volume 6
**ACCESSORIES FOR
GLASSWORKS**



All volumes are
available for download
by scanning the QR code.

La Pensilina

Light balance

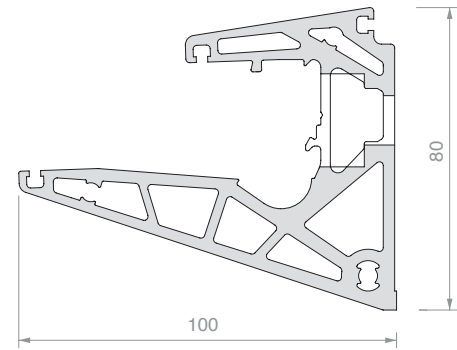
La Pensilina is defined by balanced proportions and minimalist forms, giving a clean and bright look to outdoor spaces.





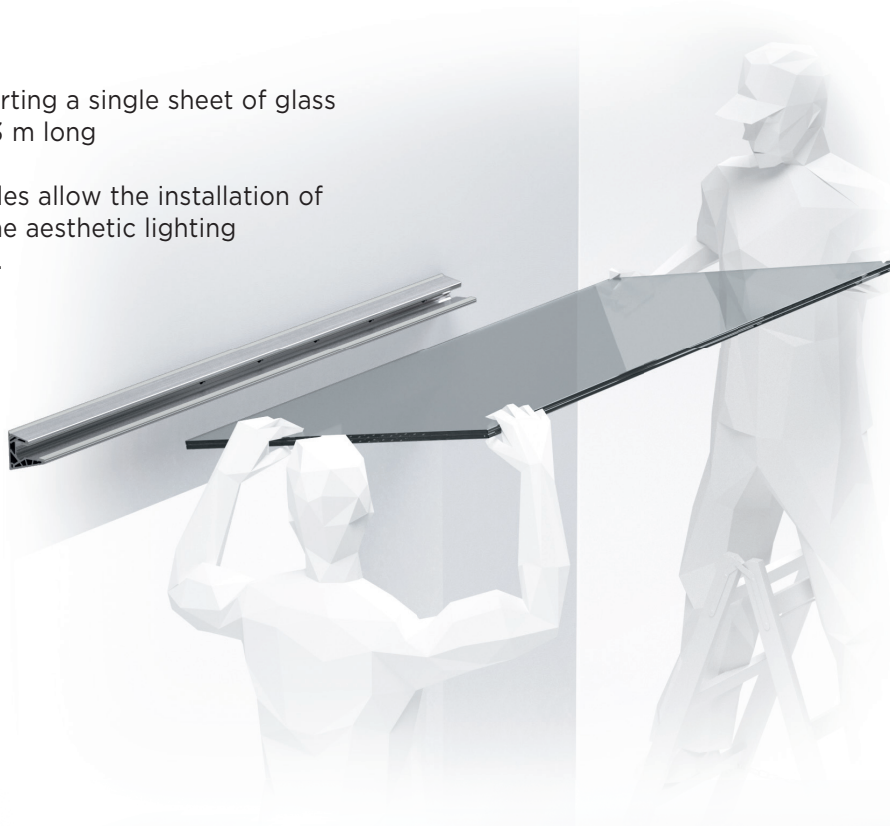
LA PENSILINA

- Overhang up to 1.2 metres
- For 8+8 mm glass
- Installation without holes in the glass
- Option to insert a shear pin



Designed for inserting a single sheet of glass in profiles up to 3 m long

La Pensilina profiles allow the installation of LED stripes for the aesthetic lighting of the glass pane.



EasySpeed clamping allows a quick and easy installation





Lumia

Midnight lights

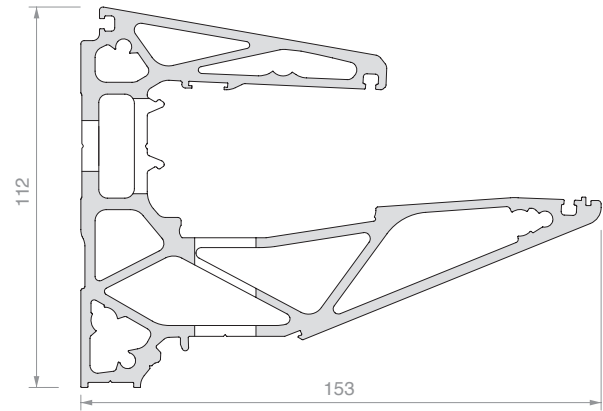
Lumia offers versatile solutions, suitable for individual or continuous installations, giving the option of creating both decorative and functional lighting effects making your spaces more pleasant.





LUMIA

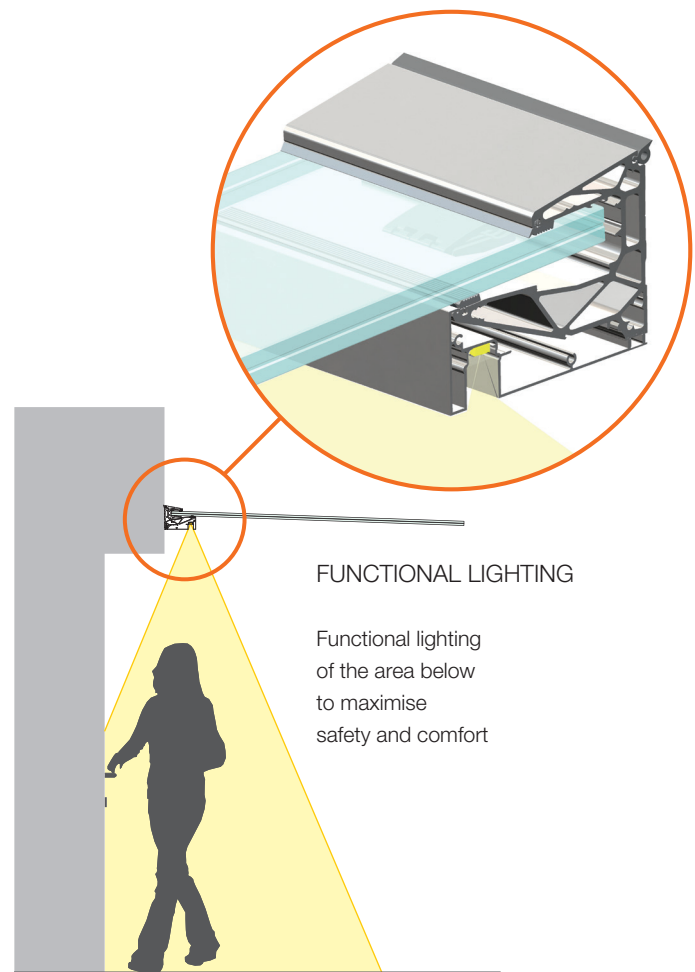
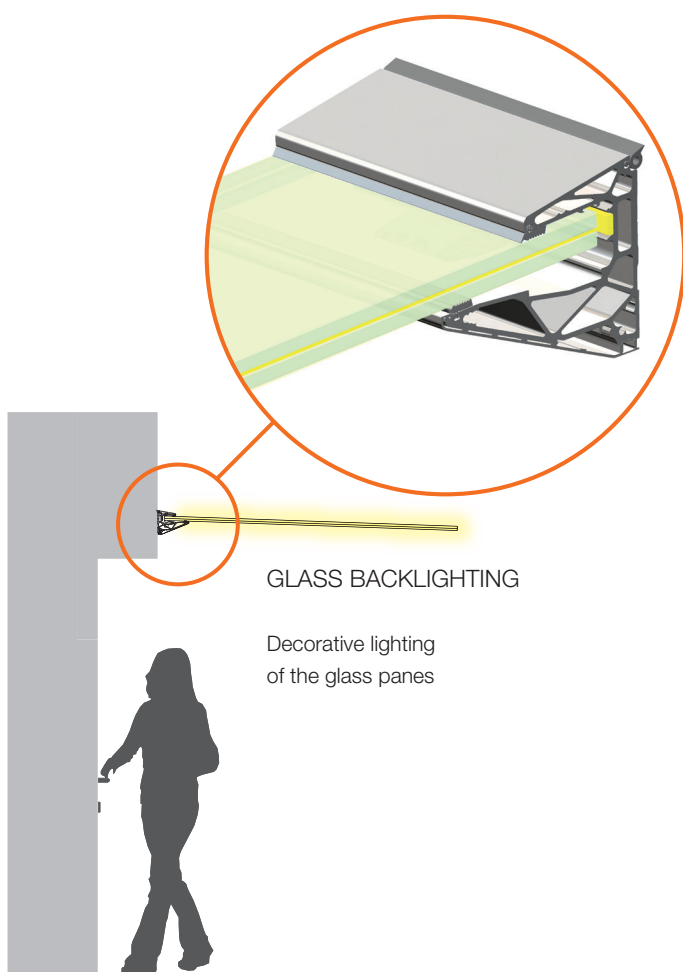
- Overhang up to 1.5 metres
- For 8+8 mm and 10+10 mm glass
- Installation without holes in the glass
- Option to insert a shear pin



Lumia illuminates

Decorative and functional light

A versatile system, capable of using the light to create decorative effects which create a big impact, but also of spreading pleasant lighting effects that enhance living spaces





ATRIVANT 80

Your protection against wind and rain

The innovative system for glass sliding and dragging closures for balconies, porches and dehors.

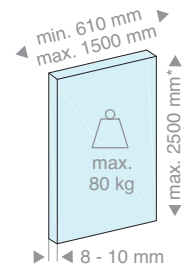




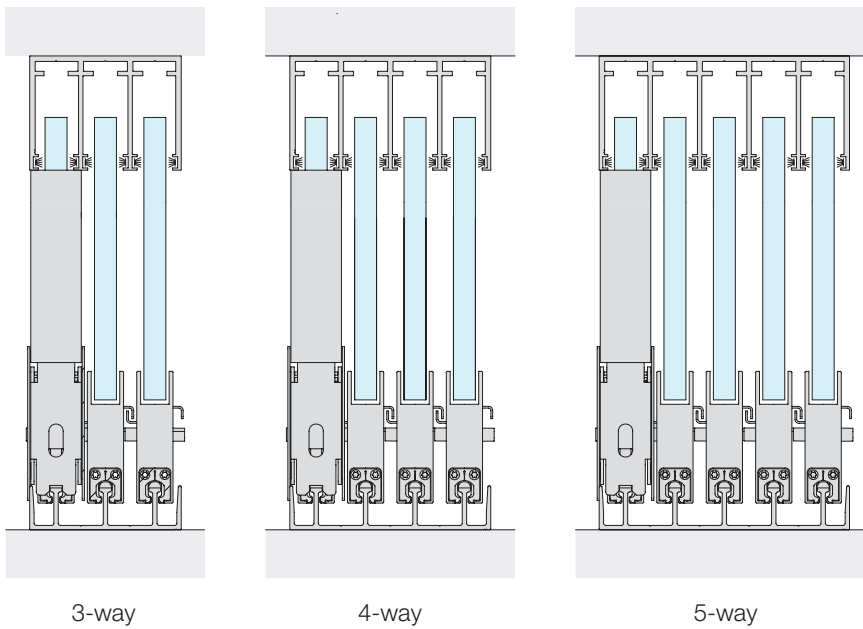
ATRIVANT 80

Technical properties

Atrivant 80 is a system for three, four and five tracks with softened movement (Soft Catch), both during the opening and the closing phase, for the sashes installed after the first one. The system is suitable for single-side, double-side and corner configurations, right- and left sliding opening, with or without fixed glasses. Furthermore, no glass processing is required. Available finishes: /97 (matt aluminium), /R6 (RAL 9016 matt), /R13 (RAL 7016 matt).



3 types of installation

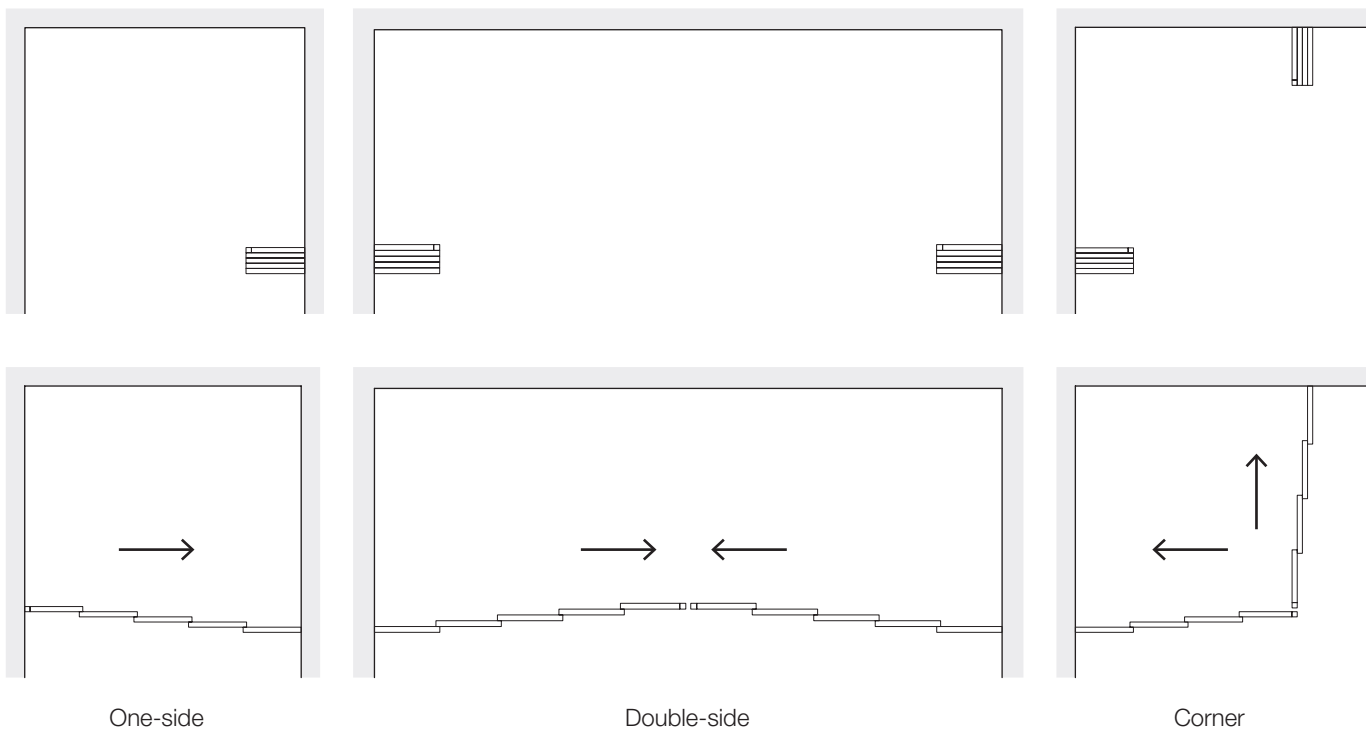


3-way

4-way

5-way

Configuration type



One-side

Double-side

Corner

*for 8 mm glass, H max 1800 mm

WATERPROOF

Thanks to the selected materials, the system Atrivant 80 keeps ensuring the proper sliding of the sashes even when exposed to damp environments.

Atrivant hosts an high-quality waterproof hydraulic dampung, which perfectly works even when in direct contact with water. The rollers, furthermore, slide onto antirust stainless steel ball bearings, complete with a plastic covering, which ensure a perfect working for the entire life cycle of the sliding system.

HIGH RESISTENCE AT WIND PRESSURE

Atrivant 80 resists higher wind pressures up to class 4 according to EN 12211/12210. The doors are firmly glued into the glass holder profile, and entry into the superior one, avoiding the risks of movement even during the bending due to the thrust of the wind. In addition, the block trolley adheres to the track a floor with a double spill protection.

SOFT CATCH

When opening and closing, the dampung system ensures that each sash softly starts the movement of the one behind.

This movement will be silent and soft in any phase. Furthermore it will be easier to separately drag one or more sash to create, for example, a central passage. Once the door is in its original position, the soft catch mechanism will link it again to the others.



Logli Massimo S.p.A
Via Chemnitz, 49/51
59100 Prato - Italy
www.sg-logli.it

