

1

2

3

4

5

6

CATALOGUE **INDOORS**

Sliding doors

Hinged doors

Partition walls

FINISHES



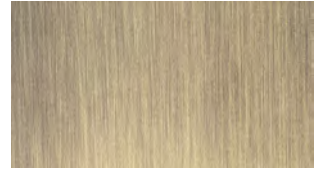
/1
Chrome



/2
Gold



/3
Brushed nickel



/4
Bronze



/5
White



/6
Matt black



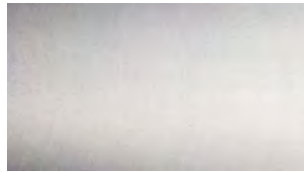
/7
Matt chrome



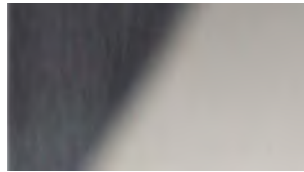
/8
Brushed steel



/9
Machining steel (CNC)



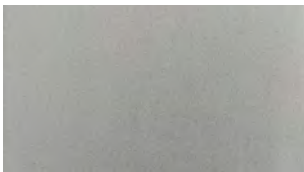
/10
Raw aluminium



/15
Polished steel



/24
Brushed steel effect



/45
Matt aluminium effect



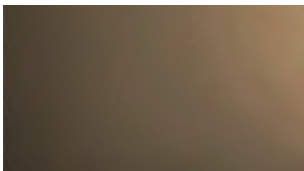
/56
Grey



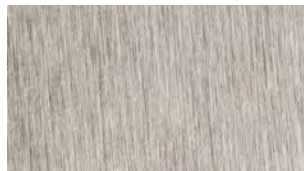
/65
Matt black



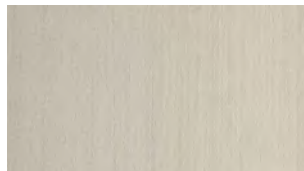
/66
Champagne aluminium



/67
Dark brushed bronze aluminium



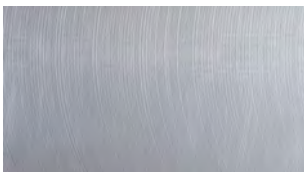
/83
PVD brushed steel



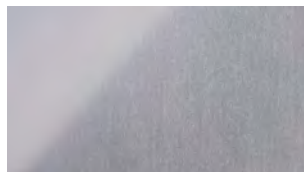
/88
Brushed steel effect aluminium



/89
Galvanised iron



/90
Machining aluminium



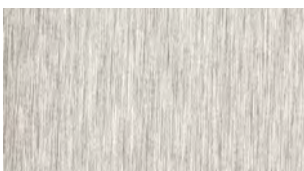
/91
Polished aluminium



/92
Matt nickel



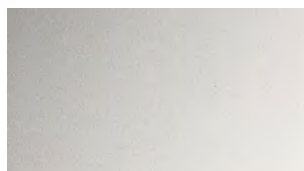
/93
Brass coated



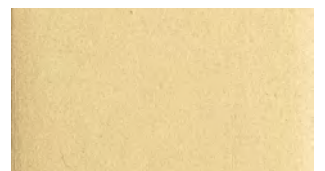
/94
Brushed chrome



/95
Nickel-coated



/97
Matt aluminium



/99
Brushed gold



/R2
RAL9005 matt black



/R6
RAL9016 matt traffic white



/R13
RAL7016 matt anthracite grey



/RAL
RAL9010 polished white

CATALOGUE **INDOORS**

SYSTEMS FOR ALUMINIUM SLIDING DOORS	Page 19
SYSTEMS FOR STEEL SLIDING DOORS	Page 325
SYSTEMS FOR GLASS PARTITION WALLS	Page 389
SYSTEMS FOR HINGED DOORS	Page 457
HANDLES AND DOOR KNOBS	Page 563

SINCE 1989

INNOVATION SERVING DESIGN FOR MORE THAN 30 YEARS

Since 1989 we are committed to satisfying the needs of glassworks, installers, and designers, offering advanced solutions that guarantee the utmost comfort. Our mission is to provide high-tech, long-lasting, reliable, high-quality products designed to exceed the expectations of every customer.





INNOVATION AND RESEARCH

OUR TECHNOLOGICAL APPROACH

Thanks to our laboratory and a team of specialised engineers, we are able to design and develop custom solutions for glassworks, installers, and interior designers. Our highly qualified personnel provide constant customer support through technical consultation and training courses.

Active collaboration with universities and national and international research institutes such as TÜV, the Politecnico di Milano, CSTB (France), and LSL (Germany) guarantee access to specialized skill and equipment when verifying systems such as balustrades, canopies, doors, and glass partitions. This enables the highest quickness and efficiency in developing new products and supporting customers with ad hoc laboratory tests.





AVIS
TECHNIQUE



ABP
Allgemeines
bauaufsichtliches
Prüfzeugnis

**British
Standard**
6180:2011

UNI 11678:2017

NTC 2018

NBN B 03-004

ALUMINIUM ASSOCIATION
*** EUROPEAN
EURAS
ASSOCIATION
ANODISERS
WAA

Qualanod



• TEST REPORT •
Politecnico di Milano

GINGER
CEBTP

LUCIDEON

Certificates and testing reports apply to selected products depending on the type and intended use.



A close-up photograph of a circular saw blade in motion, cutting through a metal beam. The blade is on the left, and the metal beam is on the right. The background is a bright, slightly blurred industrial setting.

THE WAREHOUSE AND WORKSHOP

EFFICIENCY, WIDE PRODUCT RANGE, AND IMMEDIATE AVAILABILITY

The unique features that makes the Logli brand stand out on the market include facility, personnel, product, and especially the service. With more than 7000 items in stock, we guarantee immediate availability not only of the simplest accessories, but also the most complex systems. Through important investments in four automated vertical warehouses and advanced logistics management, we guarantee order shipments in Italy within 24 hours and quick and prompt delivery.

THE EXPERIENCE AND RESEARCH OF A WORLD LEADER

The 16th of March 2018 marks a crucial moment in our history: joining the prestigious Saint-Gobain Group, a multinational company with a history of over 355 years in design of solutions for sustainable construction. This important step is a clear recognition of the excellence achieved by the company in the field of technological glass solutions.

Future innovation may rely on synergy with other brands in the Group, giving rise to increasingly advanced technological solutions.

The culture of Saint-Gobain, which we have made our own, is based on a set of values expressed in the Behaviour and Conduct Principles: respect for people, law, environment, health, and workplace safety are some of the premises that guide the Group's action and its constant aspiration to become a leader in sustainable construction.



It designs, produces, and distributes materials for safety and comfort that are in all living spaces: Buildings, transport, infrastructure, and many industrial applications.



75 countries

100 One of the TOP 100 innovative companies in the world

168,000 employees

400 patents registered each year

€51.2 billion total turnover 2022

€450 million R&D investments last year

With 355 years behind it, the Group offers next-generation materials and integrated solutions to make 'living spaces' more comfortable and sustainable, contributing to the well-being of people and protecting the planet while situating itself as a global point of reference in the efficient use of natural resources with respect for the environment.



In Italy, Saint-Gobain is present in the fields of construction materials, transport and industry.

2,100 employees

€1 billion turnover 2022

41 sites



CONSTRUCTION

Next-generation materials produced for 90% in our country, designed to create excellent living spaces and improve the quality of daily life through solutions created to build more energy-efficient buildings and reduce consumption and pollutant emissions.



TRANSPORT

Production and worldwide distribution of glass for the automotive, aerospace, rail, naval sectors, and industrial vehicles.



INDUSTRY

A wide range of solutions: abrasives and ceramic products for glass furnaces and steelworks, technical adhesive tapes that constitute a unique high-performance range, and chemical or special construction products.



SUSTAINABILITY FOR SAINT-GOBAIN: A GROUP STRATEGY

In 2020, the Saint-Gobain Group declared its corporate purpose: *'Making the world a better home'*. Its ambition is to improve the life of everyone, making the planet a more equitable and sustainable place to live, which is also open and inclusive. Together with and for our customers, **we design materials and solutions that guarantee well-being, living comfort, and safety, while taking care to protect the planet.**

Our corporate purpose is a call to action, a strategy aimed at the future that encourages innovation while respecting the union between humanity and nature.

Saint-Gobain **aims to be recognized as a world leader in sustainable building**, improving the daily life of all those using its products. **This commitment not only regards our operations and processes, but also marketing solutions that actively contribute to reaching the decarbonisation objectives of the sector.**

Being a leader means promoting a systemic transformation, embracing values, commitments, and actions that guide the change, becoming a point of reference for all stakeholders.

The geographical organization of the Group can offer custom solutions for the specific needs of local markets in terms of construction methods or styles, building systems, and different climate characteristics, both in renovation of existing buildings and in new construction.

**MAKING
THE WORLD
A BETTER
HOME**

BETTER FOR THE PEOPLE, BETTER FOR THE PLANET

Like Saint-Gobain, we embrace our social and environmental responsibility as an opportunity to create value together with our stakeholders. In fact, by creating mutual trusting relationships, we believe we can increase awareness about issues of sustainability and create virtuous cycles for the long-term business path.



BETTER FOR THE PEOPLE

For employees, collaborators, suppliers, and partners, this means expanding the 'company culture' through solid governance, **attention for health and safety, constant training, and the creation of an inclusive working environment.**

For local communities, we are dedicated to supporting **solidarity initiatives through the Saint-Gobain Foundation** and we support young talent by promoting the **Architecture Student Contest**, an annual competition dedicated to students of architecture and construction engineering around the world.



BETTER FOR THE PLANET

More than other sector, construction can influence the future of the planet, so **buildings and sustainability represent an unavoidable combination.**

Our production impacts the environment in terms of emissions, energy consumption, water use, and natural resources. The value of the Group consists of **products and sustainable and efficient production methods, designed to minimise environmental impacts** in manufacturing processes and engineered to **maximise performance** during the entire life cycle of the buildings, contributing significantly to the objectives of decarbonisation and circularity in the industry. Saint-Gobain Italia is ISO 14001:2015 and ISO 9001:2015 certified.

OUR COMMITMENT TO THE ENVIRONMENT

Contributions that our materials may bring to different sustainability certifications.



Reducing energy consumption and pollutant emission is one of the main objectives of Saint-Gobain, which develops, produces, and distributes innovative solutions to create more energy-efficient buildings. The development of a **passive envelope**, which contributes to energy retention, is the most economically sustainable solution for making buildings more efficient.



Many of our products contain recycled materials. We are constantly dedicated to increasing recycled content, contributing to reducing the consumption of raw materials and environmental impacts tied to their life cycle.



The Saint-Gobain Group has developed different projects that aim to **enhance waste**, decrease energy consumption, and use less raw material.



The Life Cycle Assessment (LCA) is very important. This study assesses the material and energy flows associated with the different stages in the life of a product (extraction of raw materials, production, use, final disposal). The goal of the assessment is to analyse the impacts associated with the different phases in the life of the product in order to optimise production processes with respect to environmental sustainability.



Closely connected to the Life Cycle Assessment is EPD® (Environmental Product Declaration) Certification. The purpose of this is to convey environmental information deriving from the LCA in a format and based on predefined common rules, the PCR (Product Category Rules). Many products manufactured by the Saint-Gobain Group carry this certification.



The extensive presence of Saint-Gobain in Italy, with production units and logistics centres around the country, limits road transport and thus pollution, favouring the **spread of local materials.**



In promoting a responsible and conscious environmental attitude, Saint-Gobain has decided to become a member of the GBC Italia association.

STANDARDS OF ENVIRONMENTAL SUSTAINABILITY



The **LEED V4.1** standard, which supports the existing LEED v4 standard, is based on a system of prerequisites and credits for design, construction, and management of buildings and sustainable areas.



The **BREEAM** (Building Research Establishment Environmental Assessment Method) system is based on verifying design, construction, and use of the building.



The purpose of the **WELL** protocol is to integrate aspects connected to personal health and well-being in building project design and construction.



With the enactment of the new Contract Code in Italy, **CAM** were updated with Italian Ministerial Decree 23 June 2022 on the assignment of design services and work on new constructions, restorations, and maintenance of public buildings.





2024 COLLECTION

6 VOLUMES

1750 PAGES

The first series consisting of 6 volumes that covers the entire range of glass solutions designed by Logli. The collection is designed to provide a complete, detailed overview of all the articles offered by Logli.

Each volume deals extensively with a specific product series, offering technical information combined with practical applications.

It is the ideal compendium for those looking for high-quality glass solutions.

All volumes are
available for download by
scanning the QR code.



All **Logli solutions**
in a **single** place.

Volume 1
BALUSTRADES

Volume 2
OUTDOORS

Volume 3
INDOORS

Volume 4
SHOWERS

Volume 5
ARRANGEMENT

Volume 6
ACCESSORIES FOR GLASSWORKS





SYSTEMS FOR ALUMINIUM SLIDING DOORS



DOOR PANELS
WITH STRUCTURAL FRAMES



LM INTELAIATO
Page 20

FULL GLASS DOOR PANELS



LM PORTA
Page 82

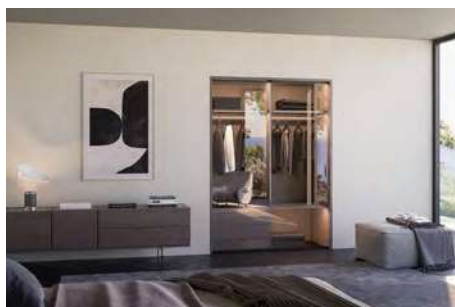


LM VETRO
Page 126



LM INVISIBLE
Page 216

DOOR PANELS FOR WALK-IN
WARDROBES



LM CLIPO
Page 262

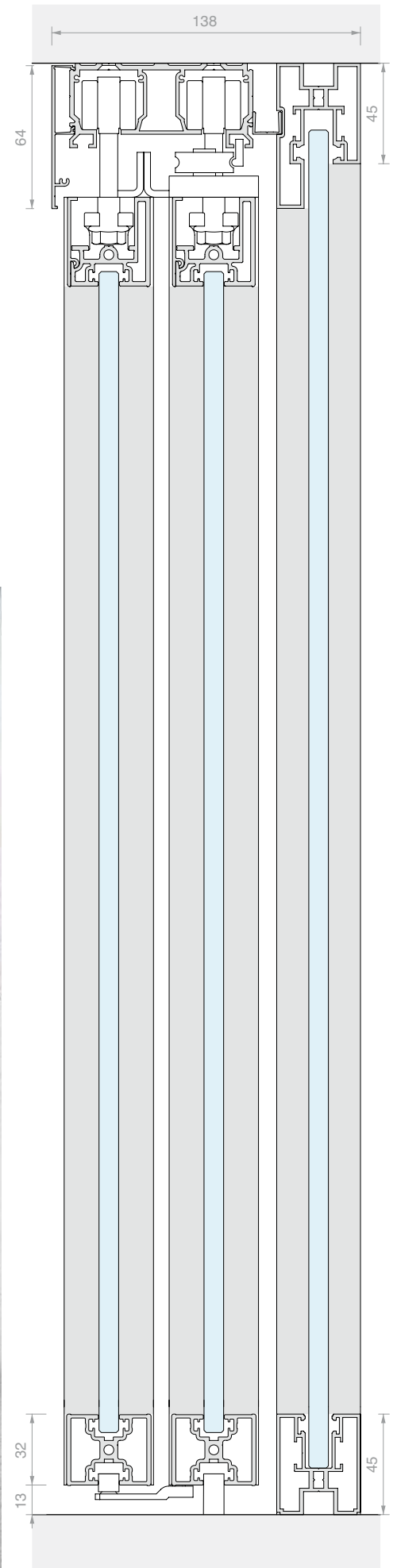
LM INTELAIATO

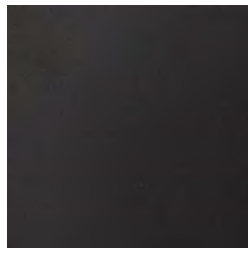
Design

The LM INTELAIATO collection is the new system of aluminium sliding doors from Logli.

It can accommodate 8 mm monolithic panes of glass or 4 + 4 mm laminate glass, surrounded by a structural aluminium frame.

The system is highly versatile, meaning that this product family is well suited for a wide array of architectural requirements within the home.





/6
Matt black



/88
Brushed steel effect
aluminium

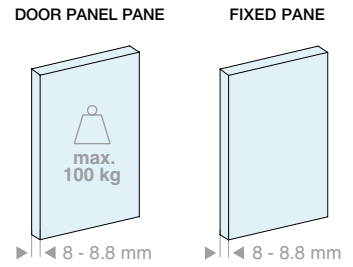
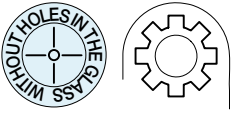


/97
Matt aluminium



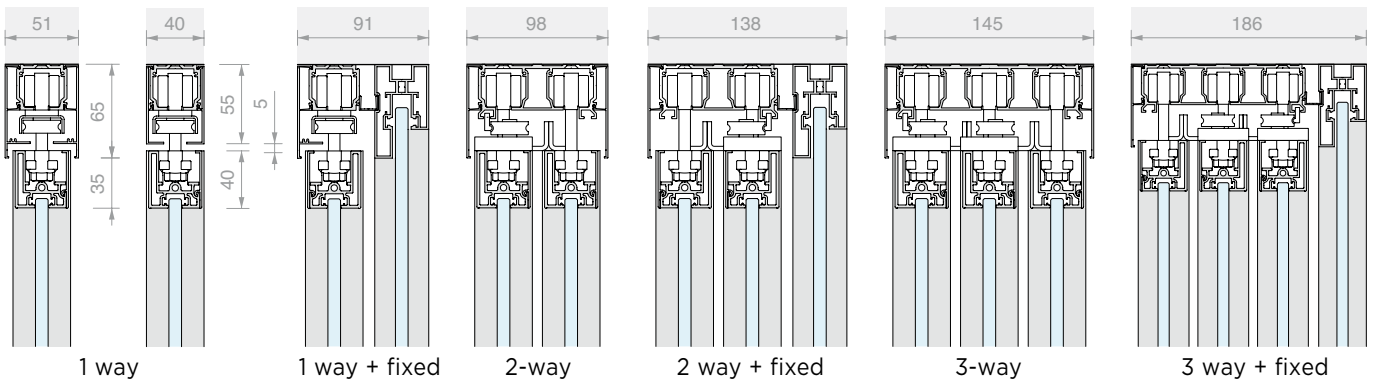
LM INTELAIATO

Technical properties

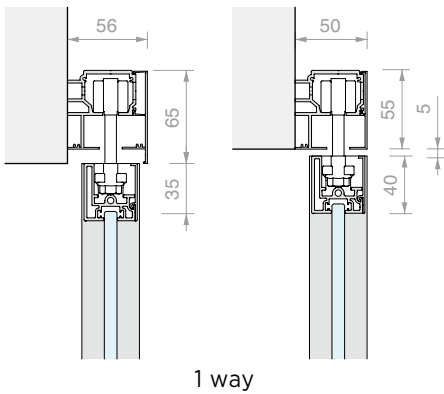


2 types of installation

Ceiling



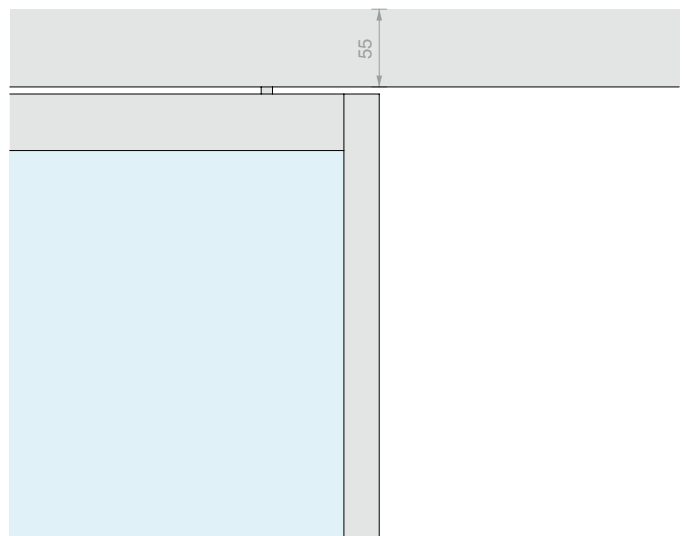
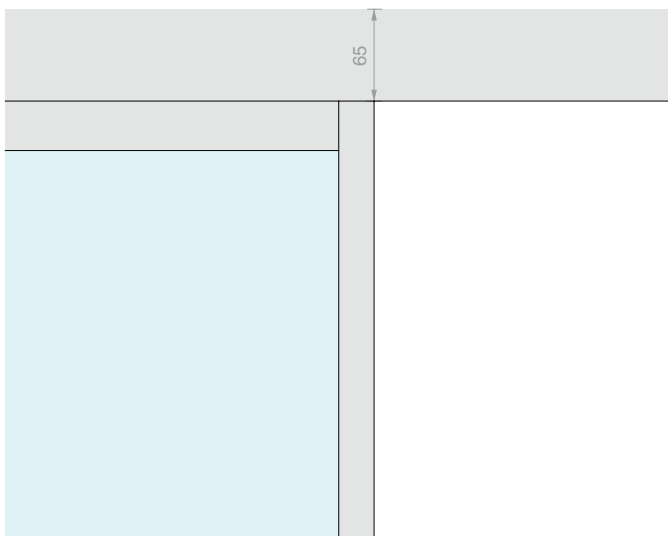
Wall

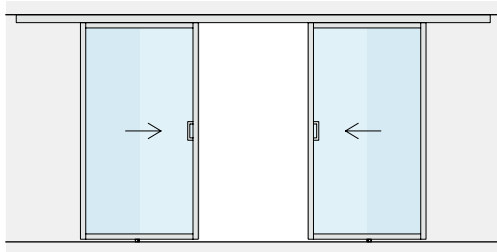


2 types of upper cover

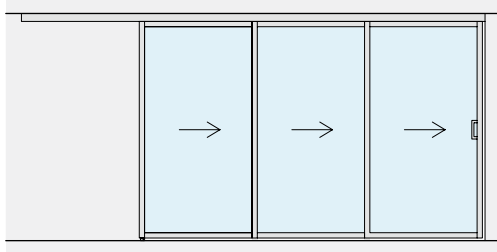
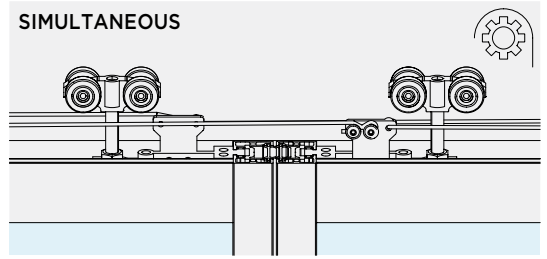
cover on top of the door panel h = 65 mm
The kits in the catalogue feature this cover.

flush-fit cover on the door panel h = 55 mm

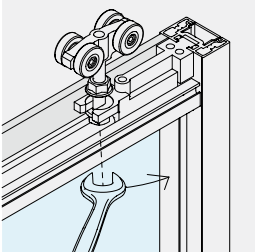
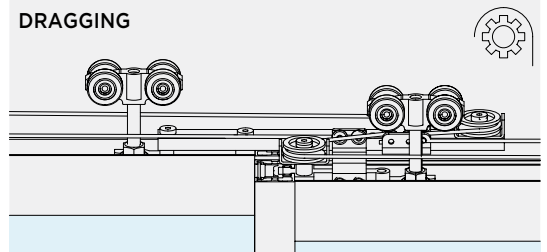




SIMULTANEOUS



DRAGGING



DOOR PANEL ADJUSTMENT

The height of the individual roller can be adjusted to change the position of the door panel by ± 3 mm.

SYNCHRONISM

The following accessories are available for synchronisation:

SIMULTANEOUS

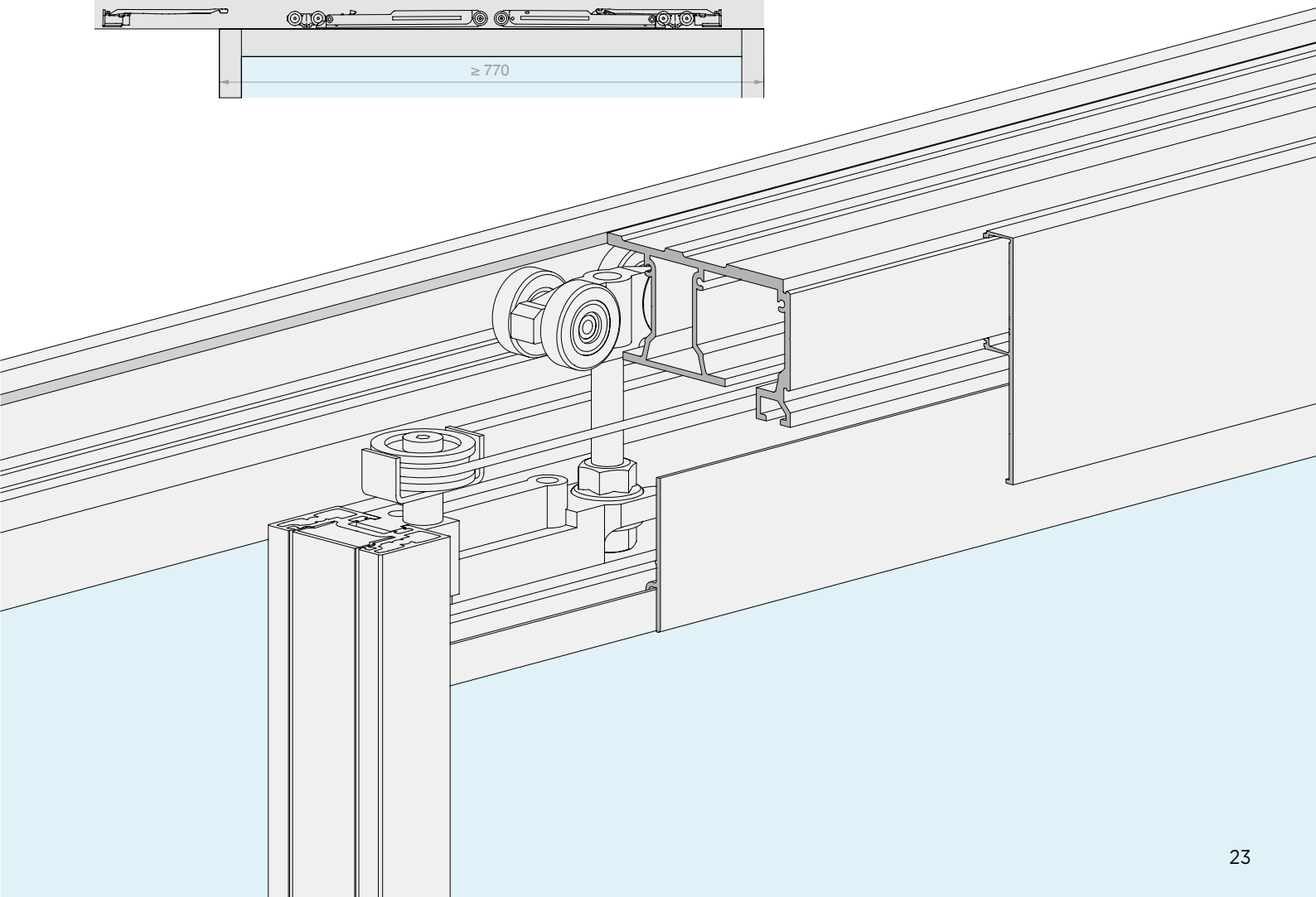
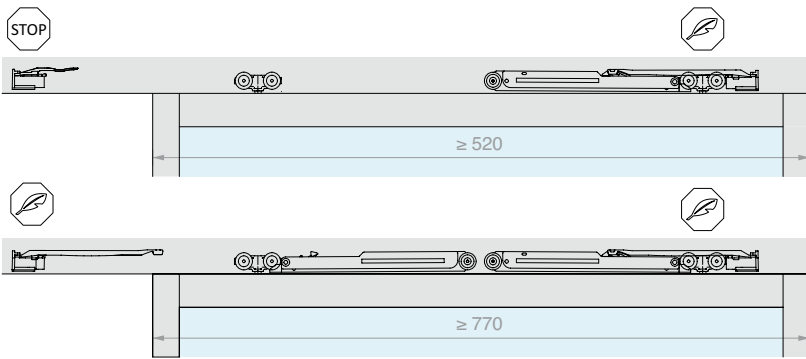
2 moving door panels installed on the same track

DRAGGING

2 or 3 moving panels on a 2- or 3-way track

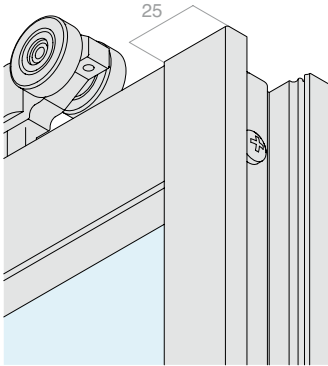
SOFT CLOSE

The use of dampers gives controlled, gentle opening and closing.

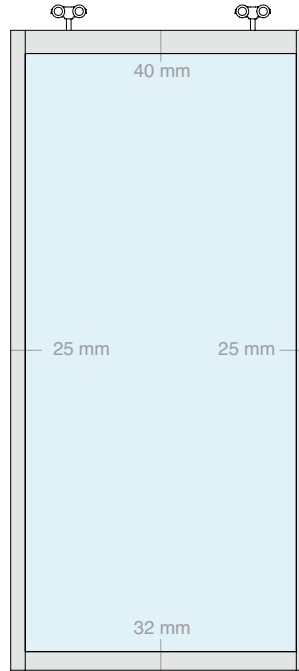


Versatility of design

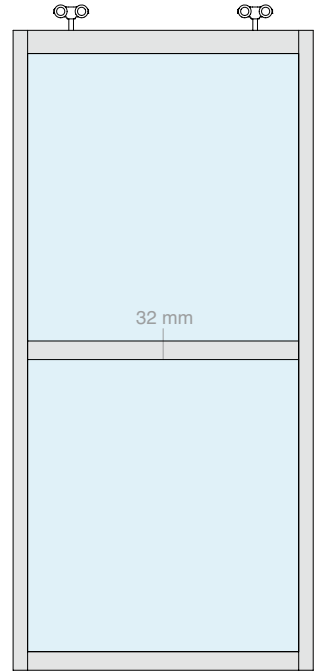
The versatility of design offered by the LMT system allows you to create solutions that are not just limited to the range offered as kits in this section. Our design office is on hand to work on all of the potential options for any project. Any solution can be supplied cut to the required size.



Single pane door panel



Multi-pane door panel



MOVING DOOR PANEL FRAME

The structural frame of the range is available in kit form and can be used with fill panels with thickness between 8 and 8.8 mm, whether made from glass or another material.

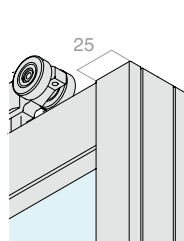
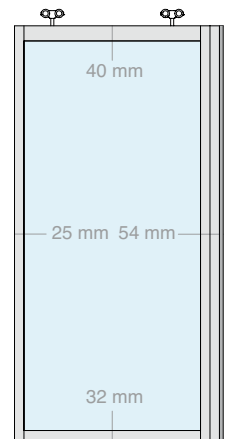
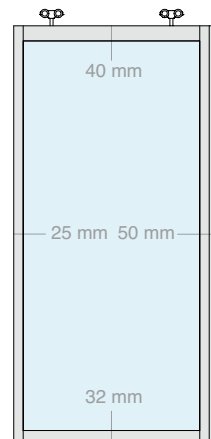
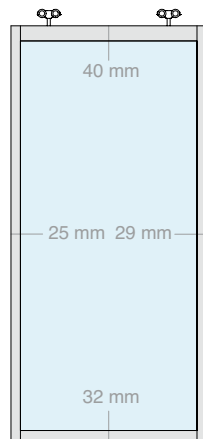
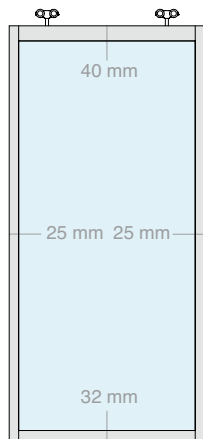
The columns of the frame are made with an open cavity that allows for quick and easy attachment to crosspieces with screws.

SINGLE / MULTI-PANE

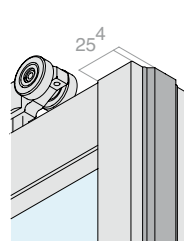
The frame can house a single pane or it can be divided horizontally with an accessory crosspiece to hold multiple smaller panes.

CONFIGURATIONS OF THE MOVING DOOR PANEL

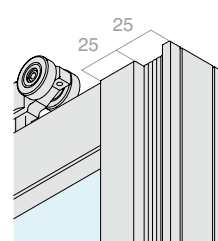
The open sides offer up to 4 design options: with trim cover, striking gasket, or full-length handle.



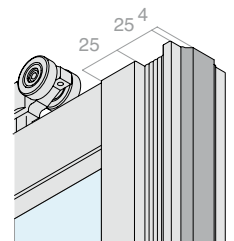
with trim cover



with striking gasket



with full-length handle and trim cover

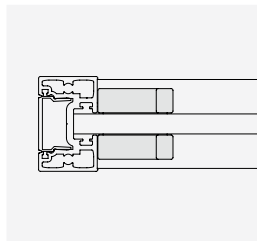


with full-length handle and striking gasket

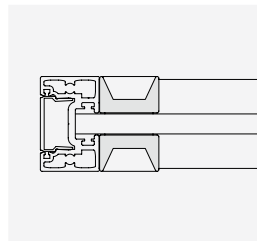


3 HANDLES
4 CONFIGURATIONS

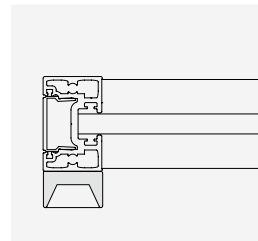
RAL FINISHES ON
DEMAND



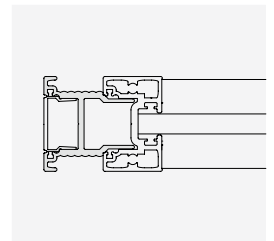
Art. HAND32140VHB
stuck to the glass



Art. MFM14025
stuck to the glass



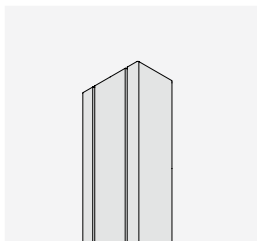
Art. MFM14025
screwed or stuck
onto the profile



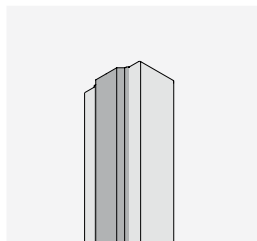
Art. LMC0038
extruded full-length,
screwed on with or
without gasket

SLAMMING POST

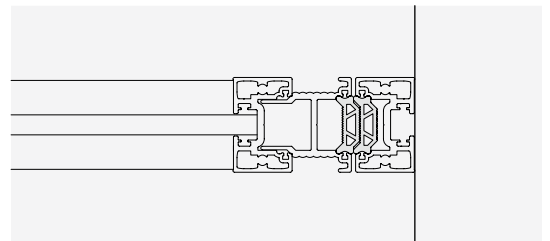
Striker on closing, with or without gasket.



with cover



with striking gasket



reversible gasket

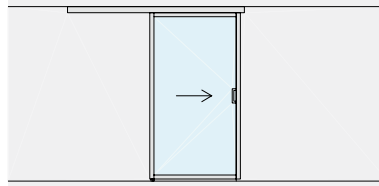


LM INTELAIATO

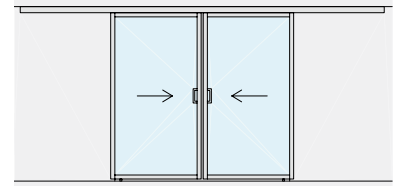
Kit

CEILING FIXING

1-WAY

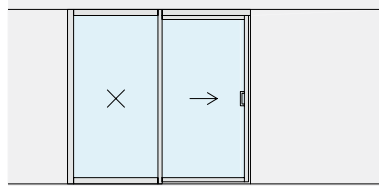


Page 30

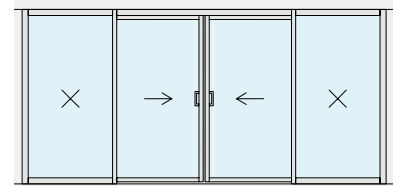


Page 34

1-WAY + FIXED

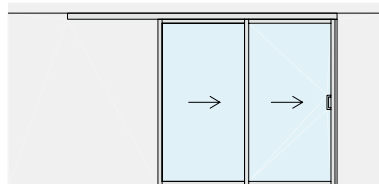


Page 38



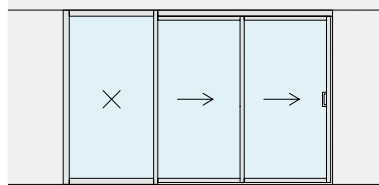
Page 42

2-WAY



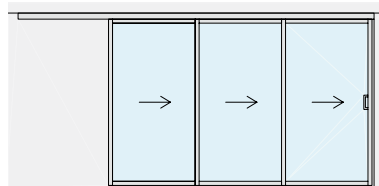
Page 46

2-WAY + FIXED



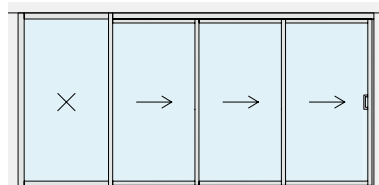
Page 50

3-WAY



Page 54

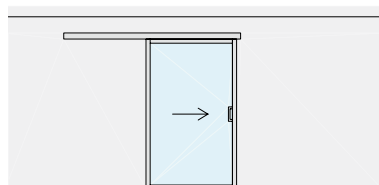
3-WAY + FIXED



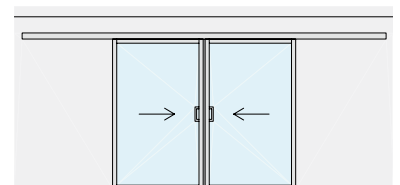
Page 59

WALL FIXING

1-WAY



Page 62



Page 66







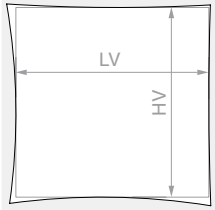
**SLIDING DOOR KIT WITH FRAME, CEILING FIXING
SINGLE DRAGGING DOOR**

Material: Aluminium

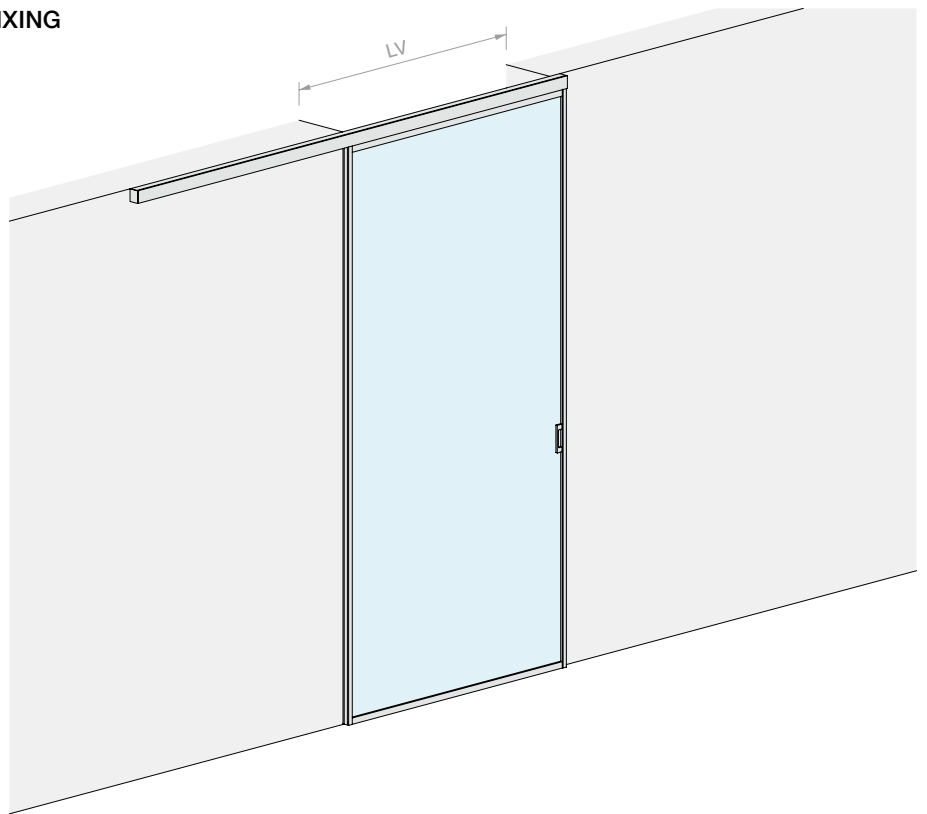
Finish: /6 /88 /97



DOOR OPENING SIZE



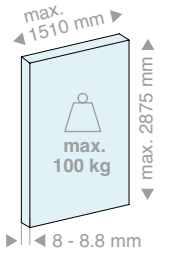
HV max: 3000 mm



DOOR PANEL PANE



DOOR PANEL PANE



Kit comprising:

Art.	Description	Qty
LMINT-PCOV30.100	Sliding door panel kit with cover	1 Pc
LM21.200	Ceiling fixing track	1 Pc
LMCA065.200	Open cover for track	1 Pc
LMCC065.200	Closed cover for track	1 Pc
LM64051TP33	Finishing cap	2 Pcs
057.3073.072	End stop with buffer	2 Pcs
LMINT-GT915	Floor guide	1 Pc
HAND32140VHB	Adhesive handle	2 Pcs

Optional

042.3102.072	Softbreak damper, 20-60 kg	1 Pc
042.3102.071	Softbreak damper, 61-100 kg	1 Pc

Kit comprising:

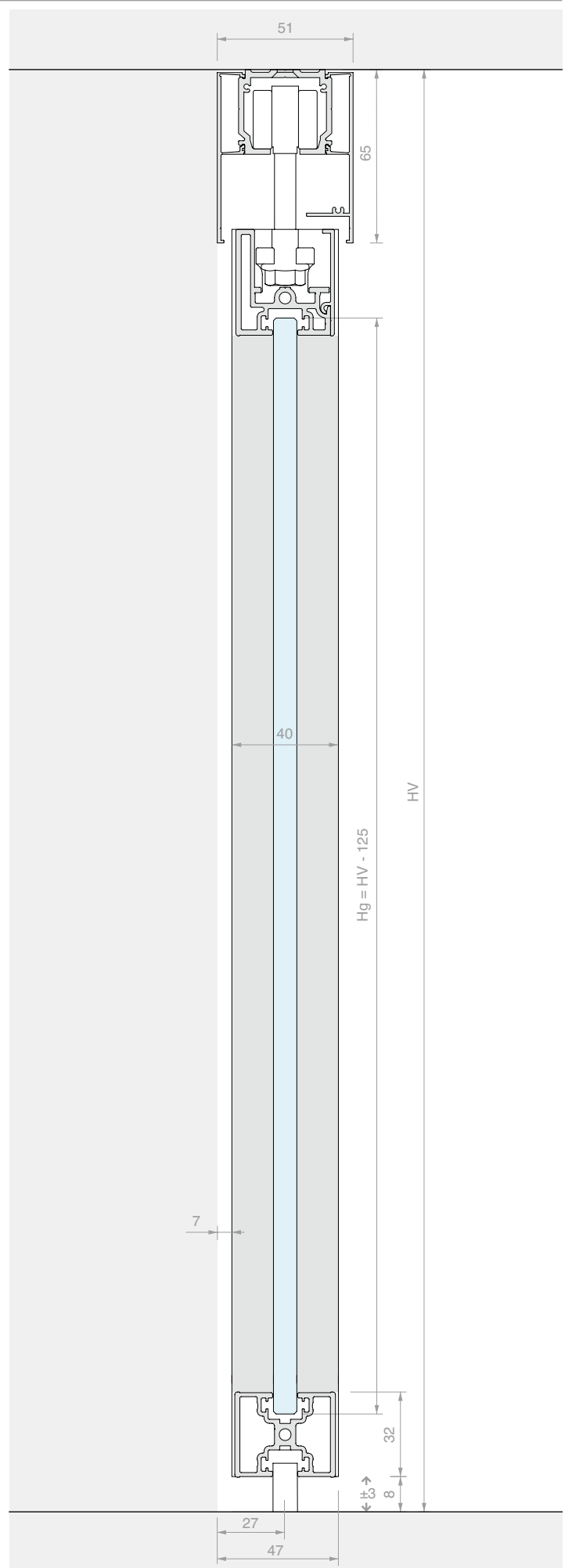
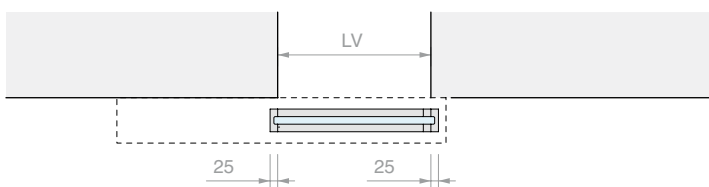
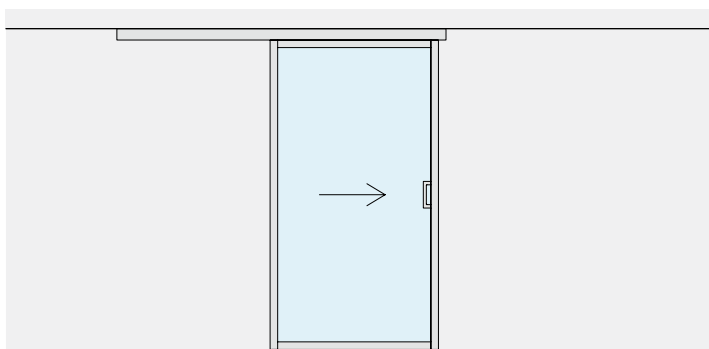
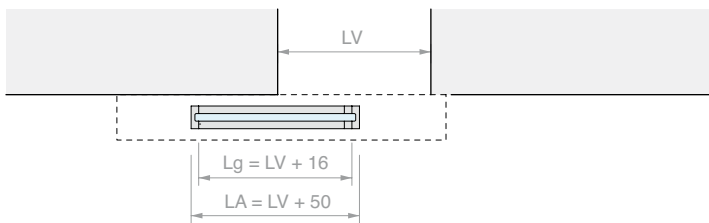
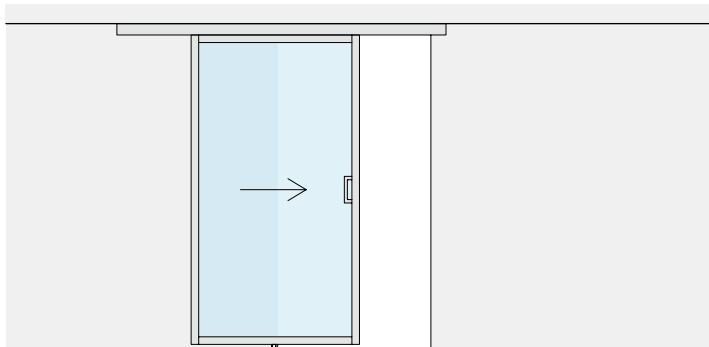
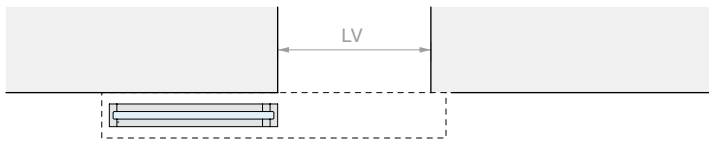
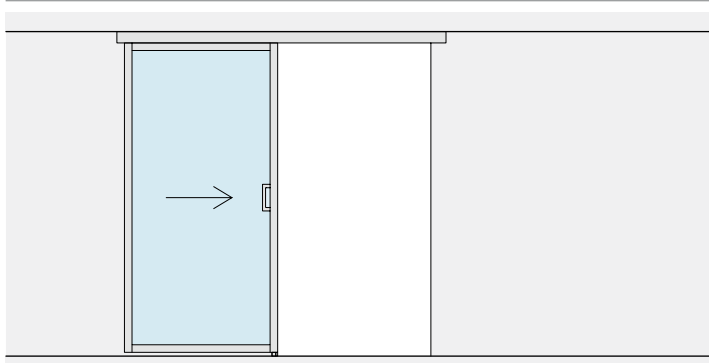
Art.	Description	Qty
LMINT-PCOV30.150	Sliding door panel kit with cover	1 Pc
LM21.300	Ceiling fixing track	1 Pc
LMCA065.300	Open cover for track	1 Pc
LMCC065.300	Closed cover for track	1 Pc
LM64051TP33	Finishing cap	2 Pcs
057.3073.072	End stop with buffer	2 Pcs
LMINT-GT915	Floor guide	1 Pc
HAND32140VHB	Adhesive handle	2 Pcs

Optional

042.3102.072	Softbreak damper, 20-60 kg	1 Pc
042.3102.071	Softbreak damper, 61-100 kg	1 Pc

Art.	LV max	Qty
LMT6511.200	995 mm	1 Pc

Art.	LV max	Qty
LMT6511.300	1495 mm	1 Pc





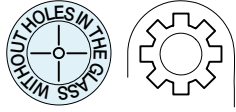




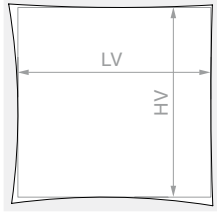
SLIDING DOOR KIT WITH FRAME, CEILING FIXING DOUBLE DOOR, SYNCHRONISED

Material: Aluminium

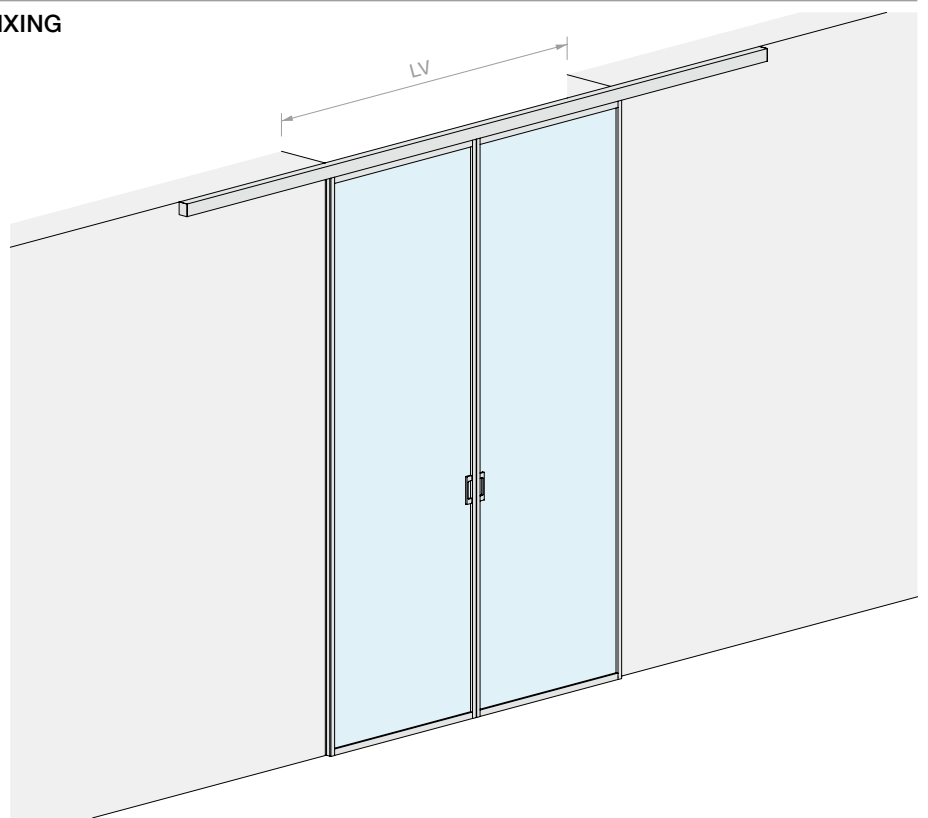
Finish: /6 /88 /97



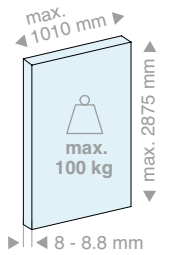
DOOR OPENING SIZE



HV max: 3000 mm



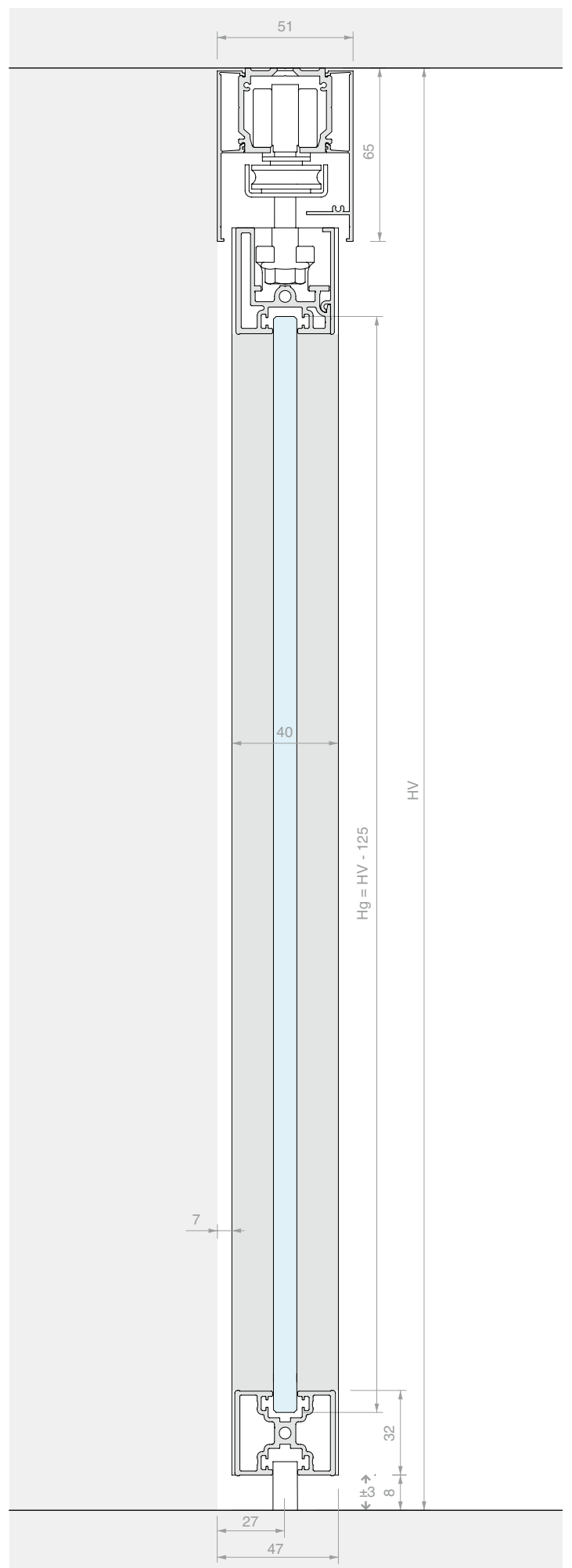
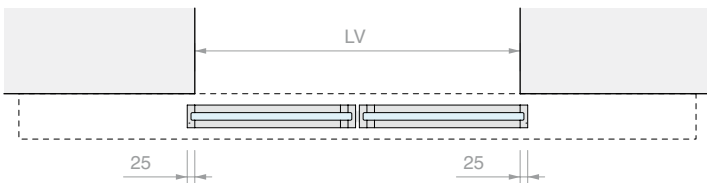
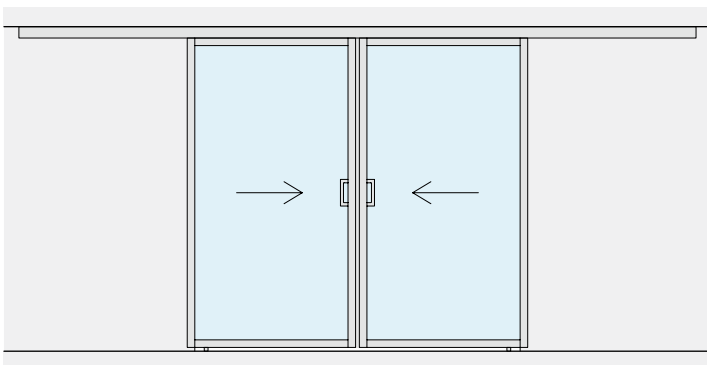
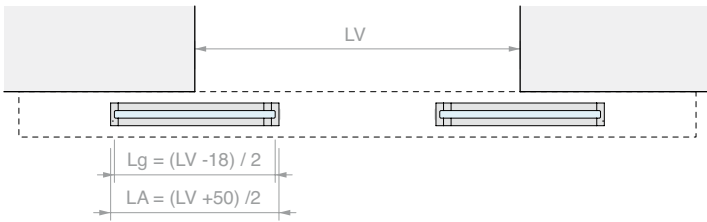
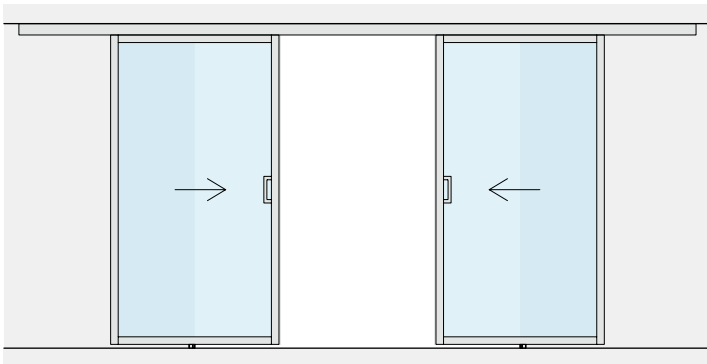
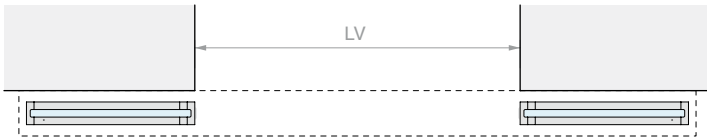
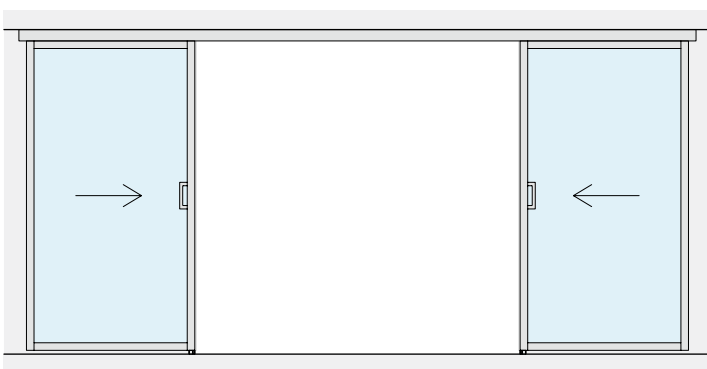
DOOR PANEL PANE



Kit comprising:

Art.	Description	Qty
LMINT-PGUA30.100	Sliding door panel kit with gasket	2 Pcs
LM21.400	Ceiling fixing track	1 Pcs
LMCA065.400	Open cover for track	1 Pcs
LMCC065.400	Closed cover for track	1 Pcs
LM64051TP33	Finishing cap	2 Pcs
057.3073.071	End stop without buffer	4 Pcs
LMSIN-2AC11	Synchronism kit for 2 in-line door panels	1 Pcs
HAND32140VHB	Adhesive handle	4 Pcs
Optional		
042.3102.072	Softbreak damper, 20-60 kg	2 Pcs
042.3102.071	Softbreak damper, 61-100 kg	2 Pcs

Art.	LV max	Qty
LMT6511C.400	2040 mm	1 Pcs









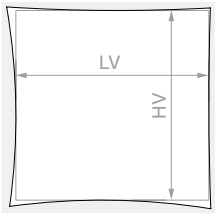
**SLIDING DOOR KIT WITH FRAME, CEILING FIXING
SINGLE DOOR AND FIXED GLASS**

Material: Aluminium

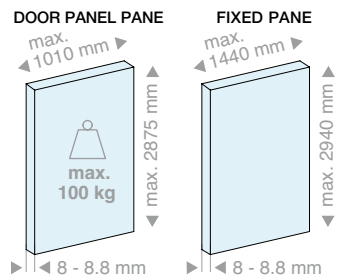
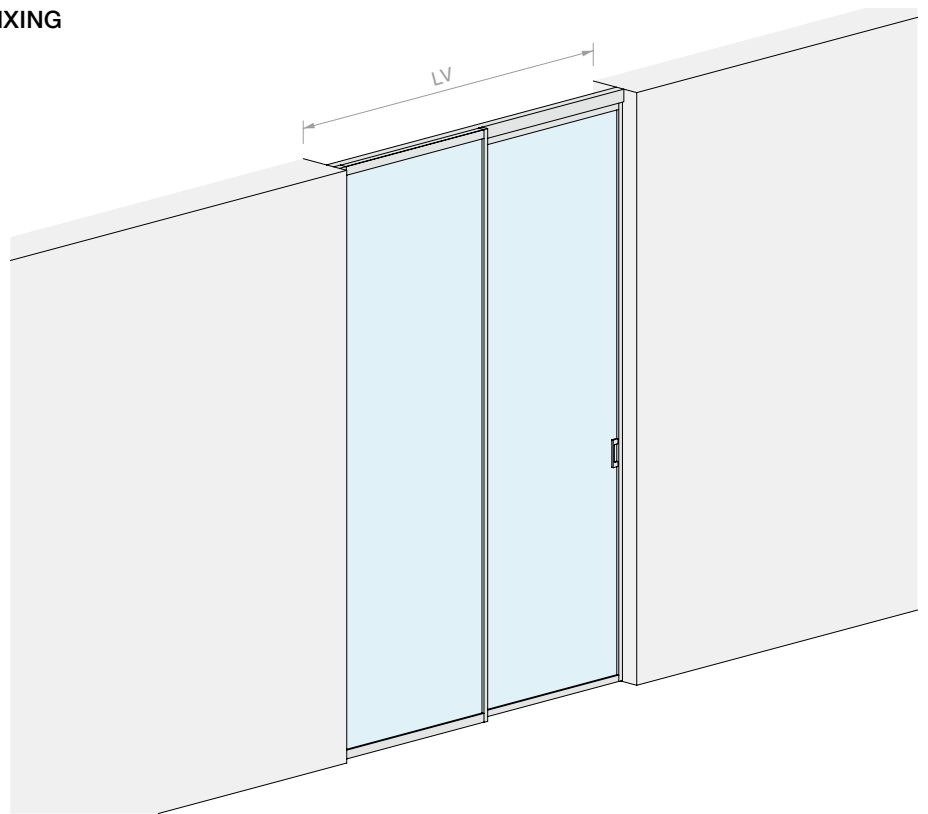
Finish: /6 /88 /97



DOOR OPENING SIZE

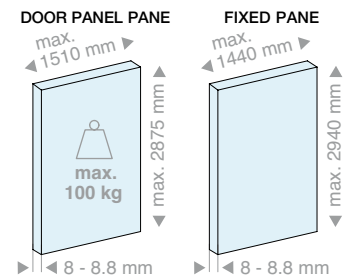


HV max: 3000 mm



Kit comprising:

Art.	Description	Qty
LMINT-PCOV30.100	Sliding door panel kit with cover	1 Pc
LMINT-VFIX30.100	Framed fixed glass kit	1 Pc
LM21.200	Ceiling fixing track	1 Pc
FOU1013.30	U profile	1 Pc
LMCA065.200	Open cover for track	1 Pc
LMCC065.200	Closed cover for track	1 Pc
057.3073.072	End stop with buffer	2 Pcs
LMINT-GT915	Floor guide	1 Pc
HAND32140VHB	Adhesive handle	2 Pcs
Optional		
042.3102.072	Softbreak damper, 20-60 kg	1 Pc
042.3102.071	Softbreak damper, 61-100 kg	1 Pc

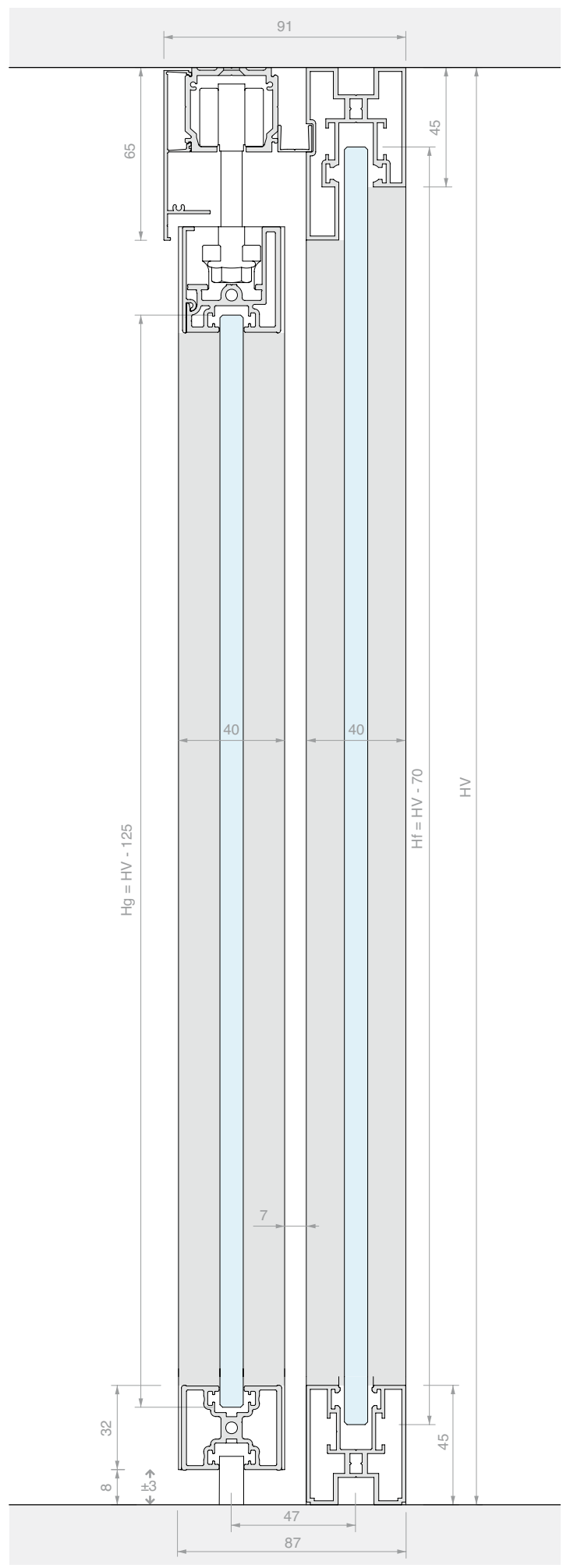
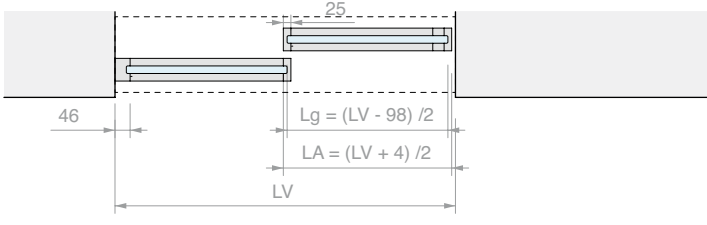
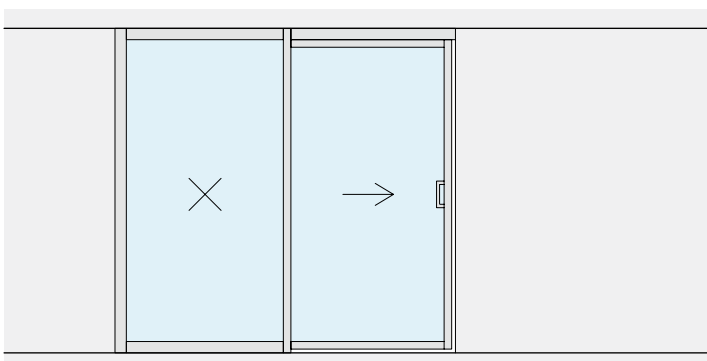
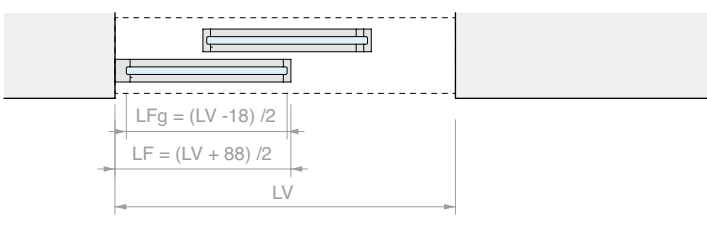
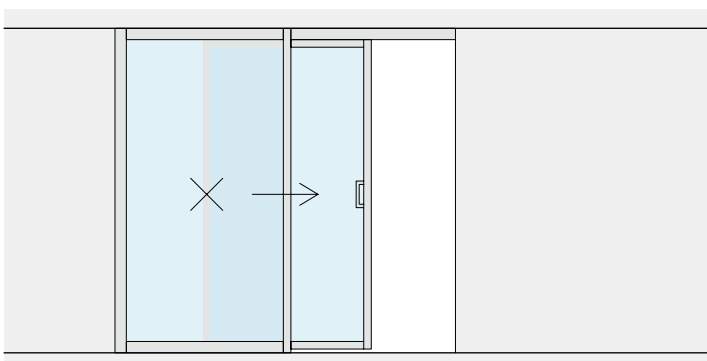
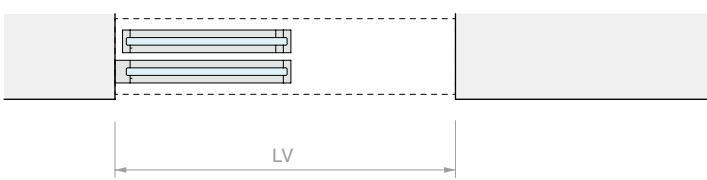
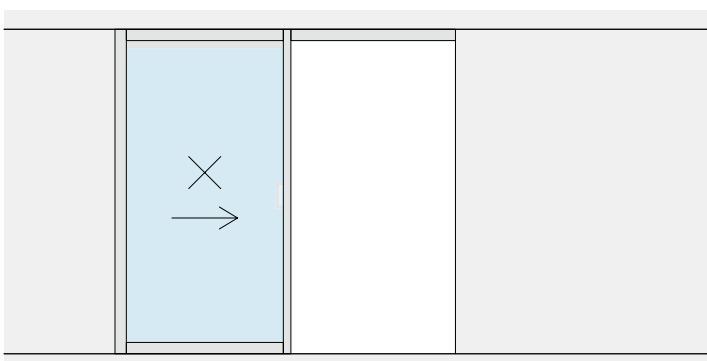


Kit comprising:

Art.	Description	Qty
LMINT-PCOV30.150	Sliding door panel kit with cover	1 Pc
LMINT-VFIX30.150	Framed fixed glass kit	1 Pc
LM21.300	Ceiling fixing track	1 Pc
FOU1013.30	U profile	1 Pc
LMCA065.300	Open cover for track	1 Pc
LMCC065.300	Closed cover for track	1 Pc
057.3073.072	End stop with buffer	2 Pcs
LMINT-GT915	Floor guide	1 Pc
HAND32140VHB	Adhesive handle	2 Pcs
Optional		
042.3102.072	Softbreak damper, 20-60 kg	1 Pc
042.3102.071	Softbreak damper, 61-100 kg	1 Pc

Art.	LV max	Qty
LMT6511F.200	2000 mm	1 Pc

Art.	LV max	Qty
LMT6511F.300	3000 mm	1 Pc





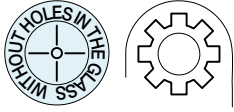




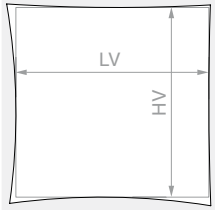
SLIDING DOOR KIT WITH FRAME, CEILING FIXING SYNCHRONISED DOUBLE DOOR AND DOUBLE FIXED GLASS

Material: Aluminium

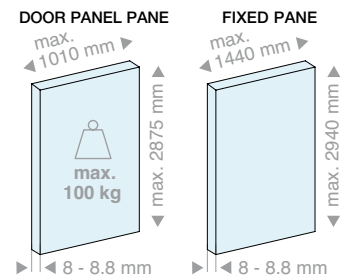
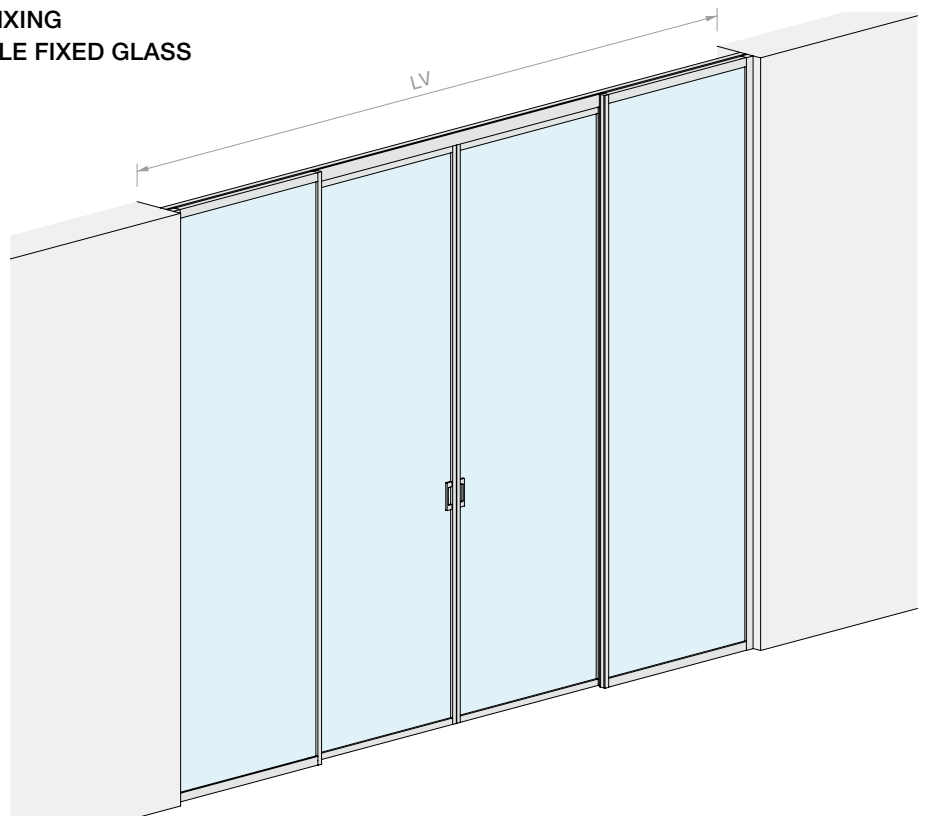
Finish: /6 /88 /97



DOOR OPENING SIZE



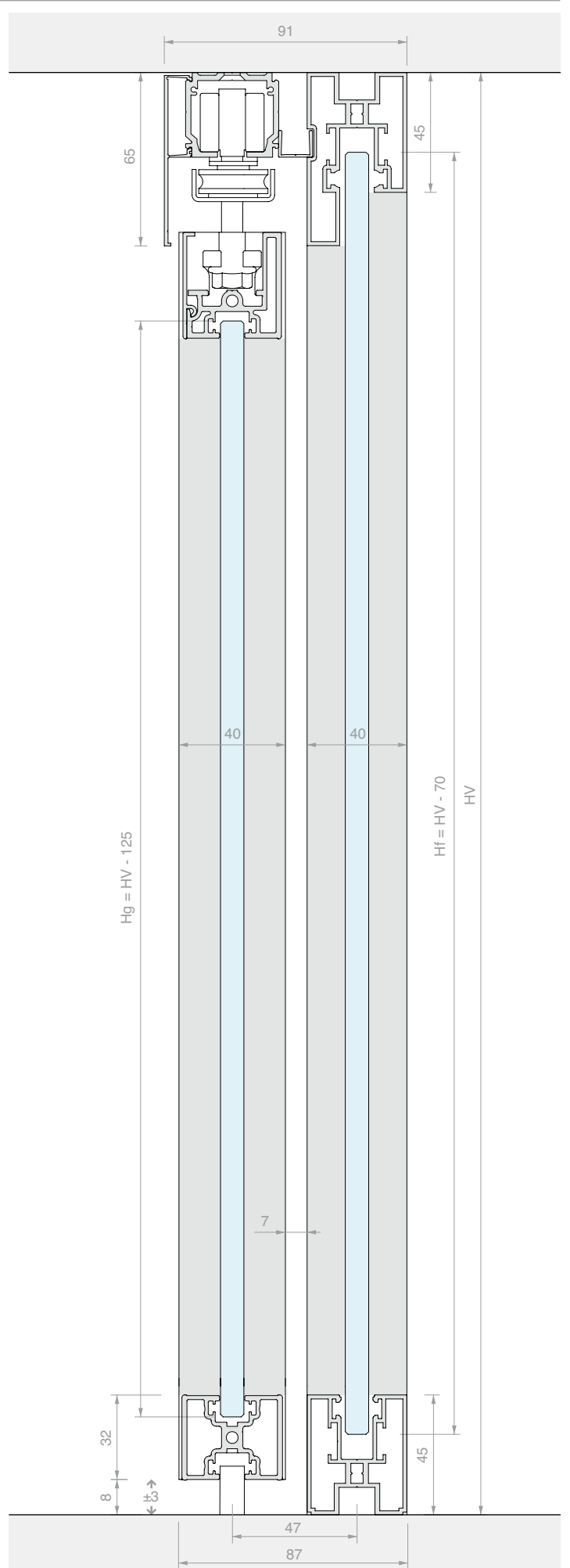
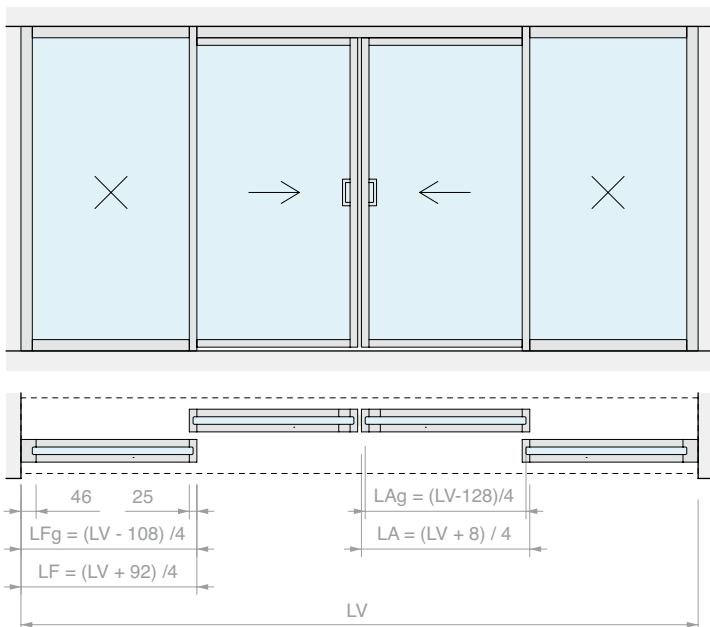
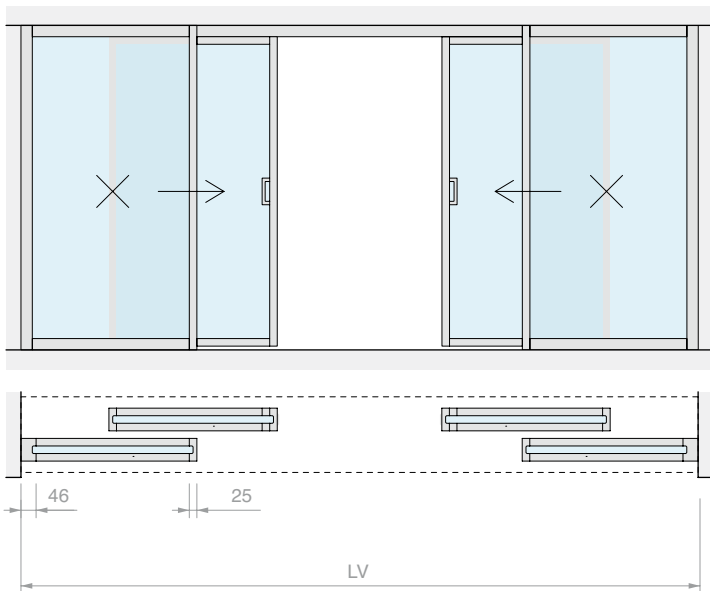
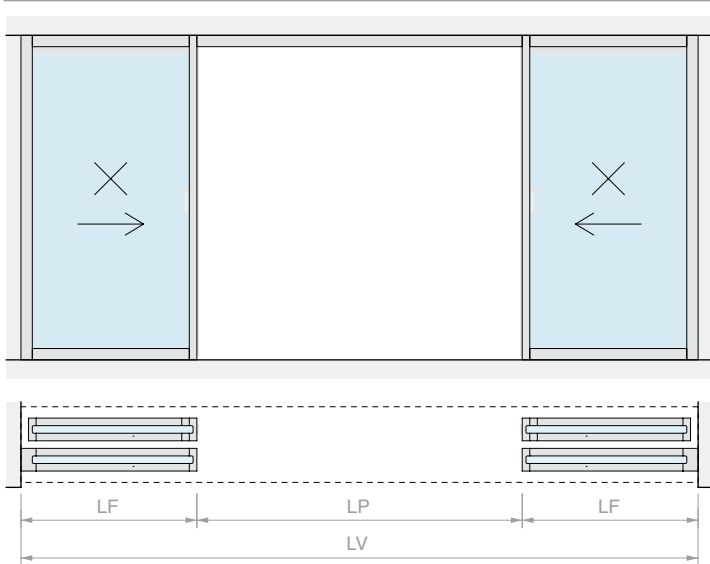
HV max: 3000 mm



Kit comprising:

Art.	Description	Qty
LMINT-PGUA30.100	Sliding door panel kit with gasket	2 Pcs
LMINT-VFIX30.100	Framed fixed glass kit	2 Pcs
LM21.400	Ceiling fixing track	1 Pc
FOU1013.30	U profile	2 Pcs
LMCA065.400	Open cover for track	2 Pcs
057.3073.071	End stop without buffer	4 Pcs
LMSIN-2AC11	Synchronism kit for 2 in-line door panels	1 Pc
HAND32140VHB	Adhesive handle	4 Pcs
Optional		
042.3102.072	Softbreak damper, 20-60 kg	2 Pcs
042.3102.071	Softbreak damper, 61-100 kg	2 Pcs

Art.	LV max	Qty
LMT6511CF.400	4000 mm	1 Pc





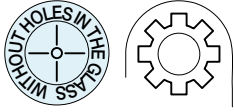




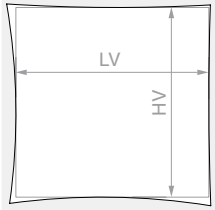
SLIDING DOOR KIT WITH FRAME, CEILING FIXING DOUBLE DRAGGING DOOR WITH SYNCHRONISM

Material: Aluminium

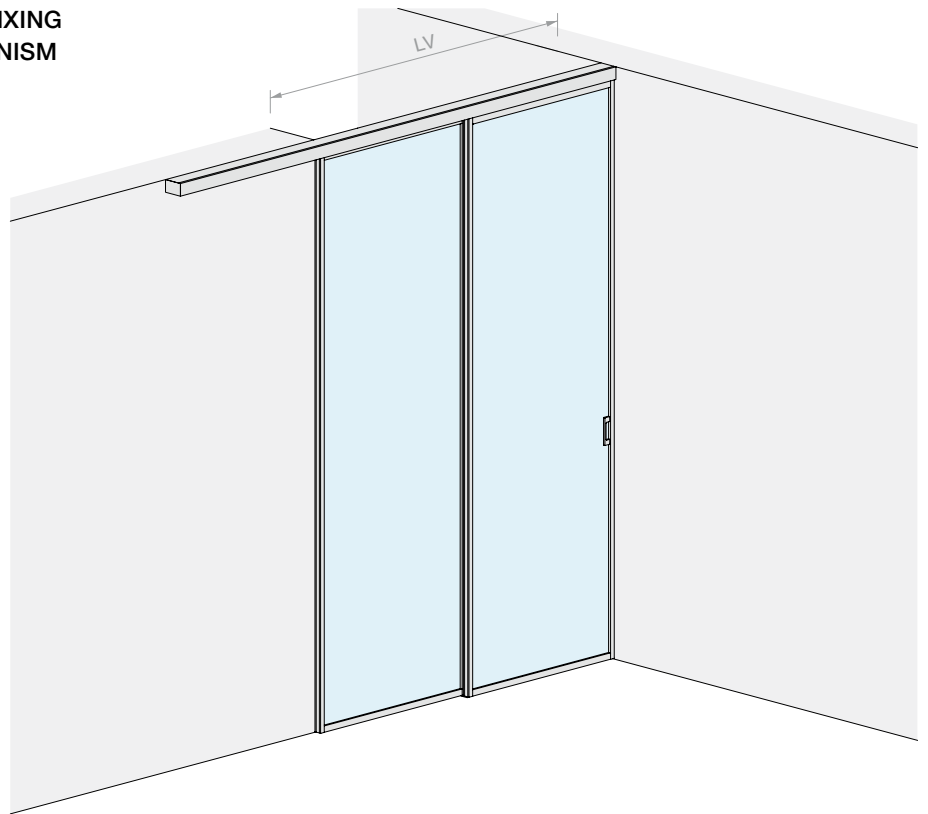
Finish: /6 /88 /97



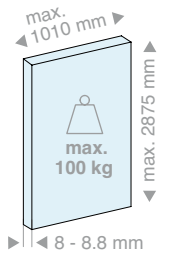
DOOR OPENING SIZE



HV max: 3000 mm



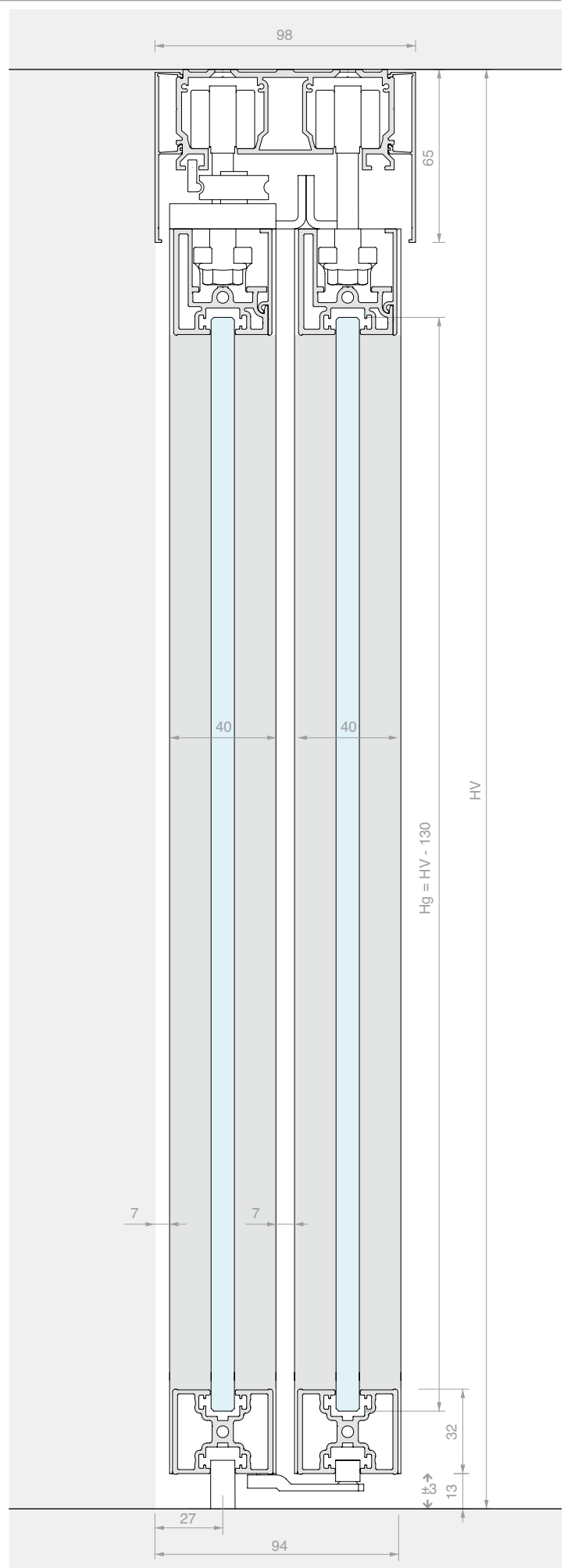
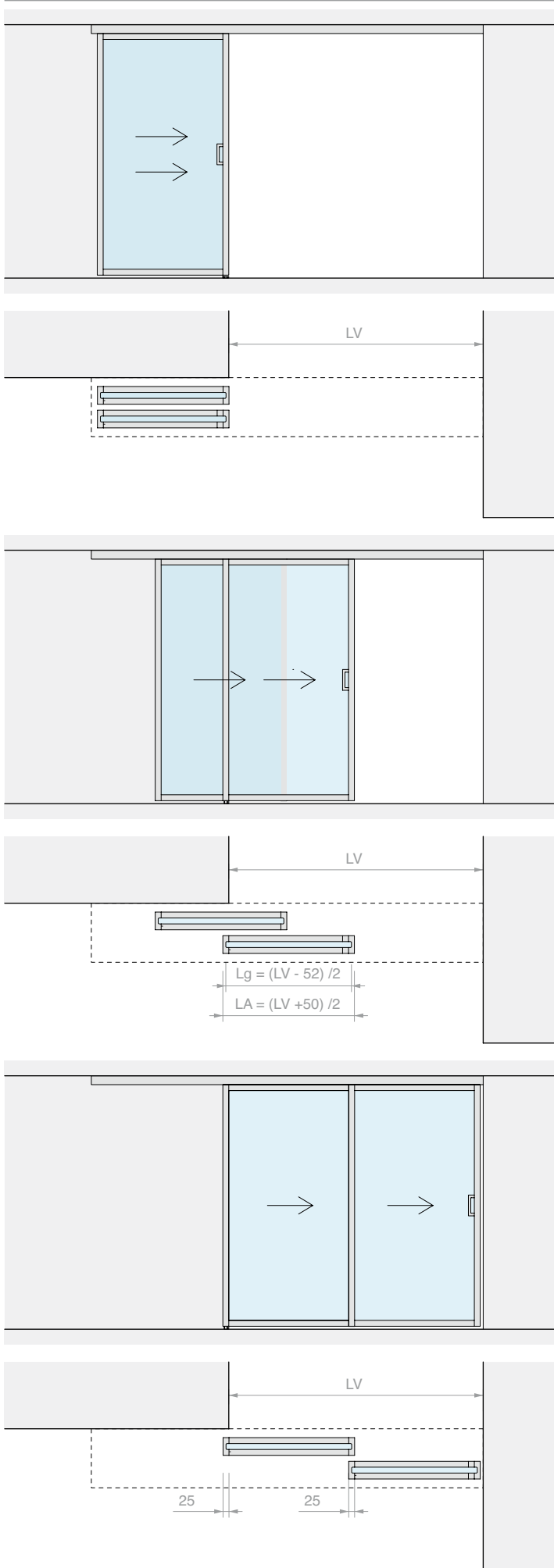
DOOR PANEL PANE



Kit comprising:

Art.	Description	Qty
LMINT-PCOV30.100	Sliding door panel kit with cover	1 Pc
LMINT-PGUA30.100	Sliding door panel kit with gasket	1 Pc
LM2V082.300	2-way ceiling fixing track	1 Pc
LMCA065.300	Open cover for track	2 Pcs
LM64098TP33	Finishing cap	2 Pcs
057.3073.072	End stop with buffer	2 Pcs
057.3073.071	End stop without buffer	2 Pcs
LMSIN-2AT21	Synchronism kit for 2 dragging doors	1 Pc
HAND32140VHB	Adhesive handle	2 Pcs
Optional		
042.3102.071	Softbreak damper, for panels from 40 to 65 kg	1 or 2 Pcs

Art.	LV max	Qty
LMT6512.300	2040 mm	1 Pc





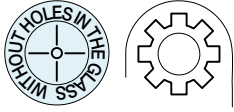




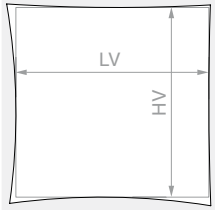
SLIDING DOOR KIT WITH FRAME, CEILING FIXING DOUBLE DRAGGING DOOR WITH SYNCHRONISM AND FIXED GLASS

Material: Aluminium

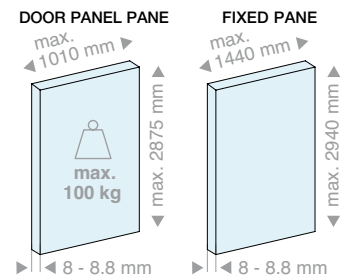
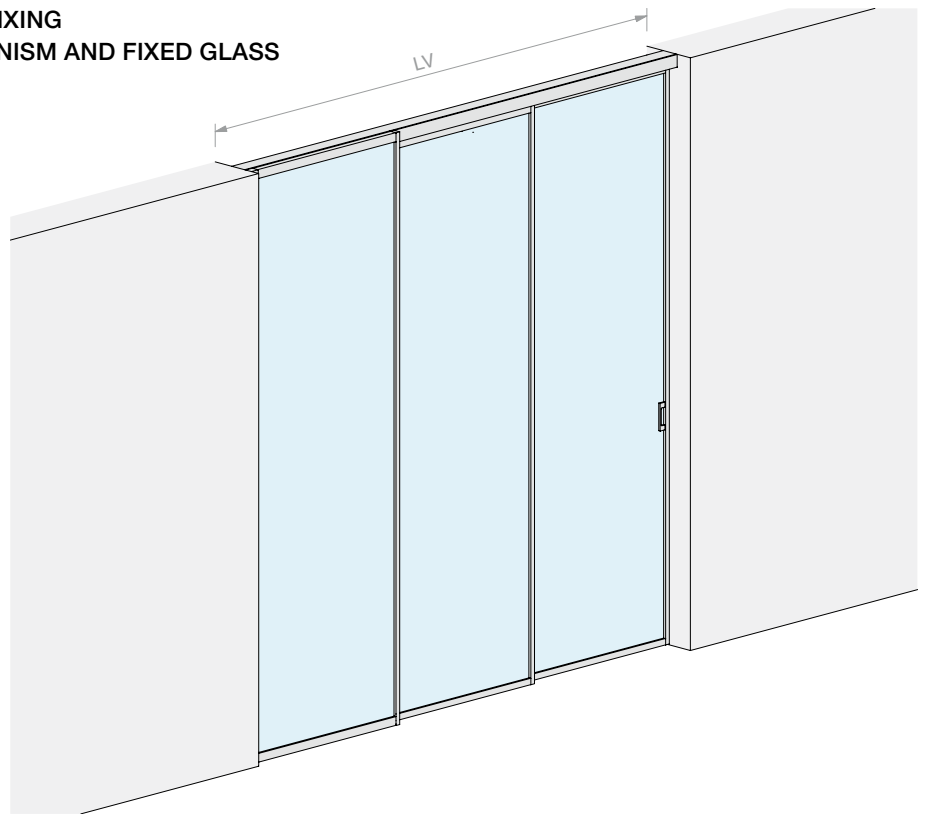
Finish: /6 /88 /97



DOOR OPENING SIZE



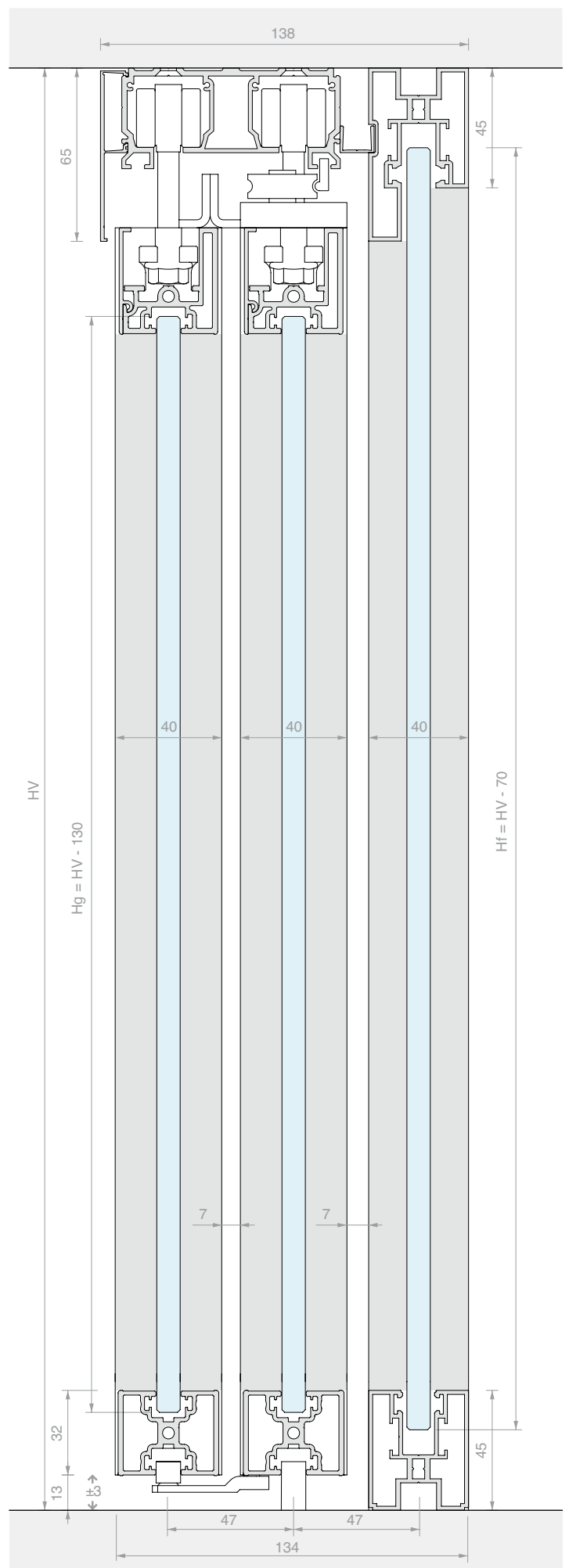
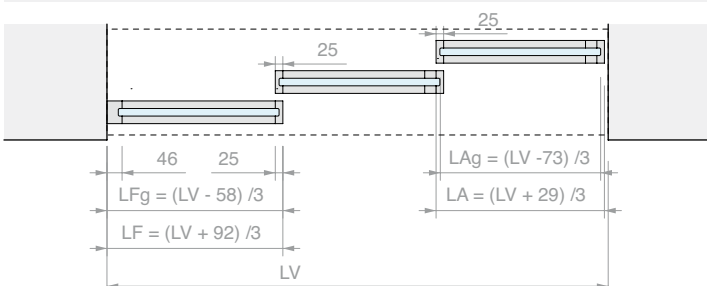
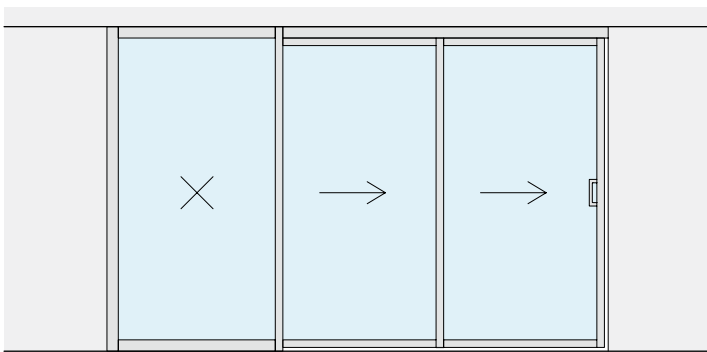
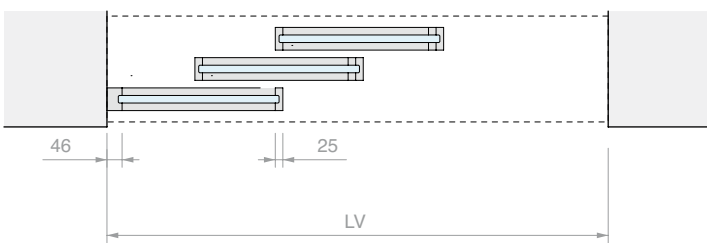
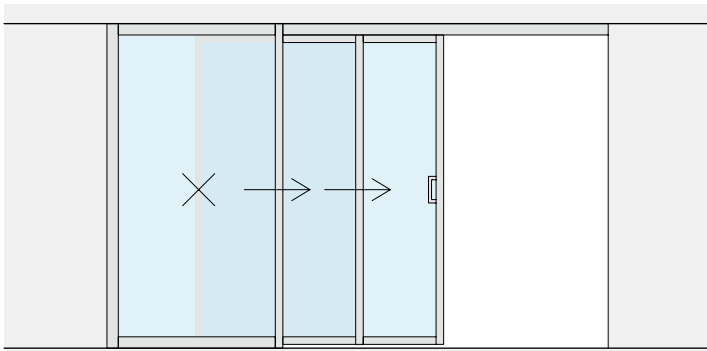
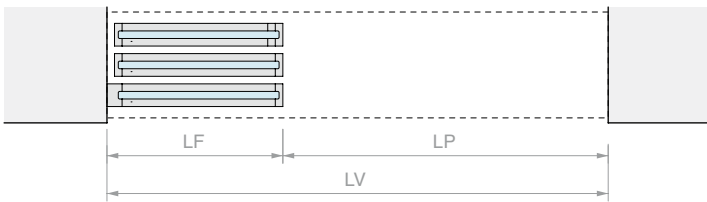
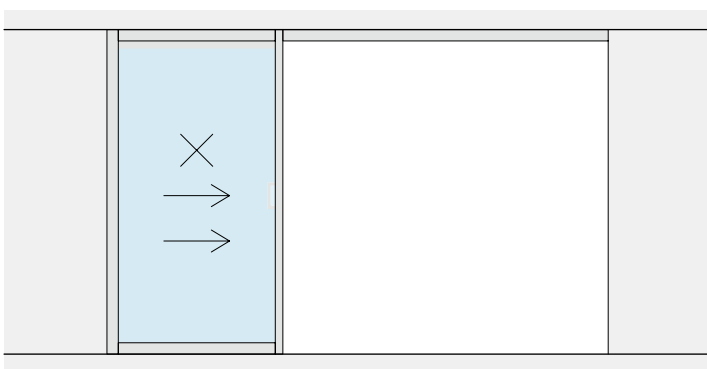
HV max: 3000 mm



Kit comprising:

Art.	Description	Qty
LMINT-PCOV30.100	Sliding door panel kit with cover	1 Pc
LMINT-PGUA30.100	Sliding door panel kit with gasket	1 Pc
LMINT-VFIX30.100	Framed fixed glass kit	1 Pc
LM2V082.300	2-way ceiling fixing track	1 Pc
FOU1013.30	U profile	1 Pc
LMCA065.300	Open cover for track	2 Pcs
057.3073.072	End stop with buffer	2 Pcs
057.3073.071	End stop without buffer	2 Pcs
LMSIN-2AT21	Synchronism kit for 2 door panels, lead & follower	1 Pc
HAND32140VHB	Adhesive handle	2 Pcs
Optional		
042.3102.071	Softbreak damper, for panels from 40 to 65 kg	1 or 2 Pcs

Art.	LV max	Qty
LMT6512F.300	3000 mm	1 Pc





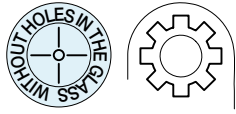




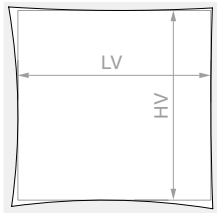
SLIDING DOOR KIT WITH FRAME, CEILING FIXING TRIPLE DRAGGING DOOR

Material: Aluminium

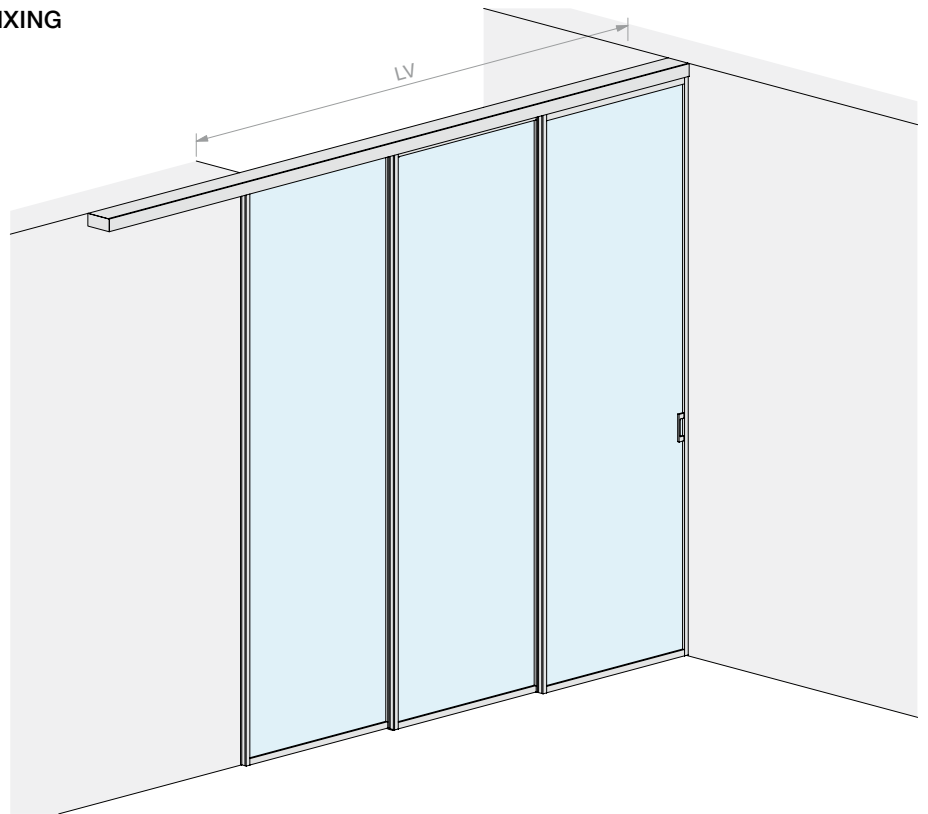
Finish: /6 /88 /97



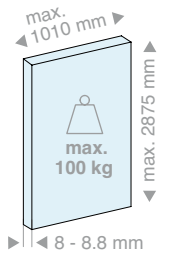
DOOR OPENING SIZE



HV max: 3000 mm



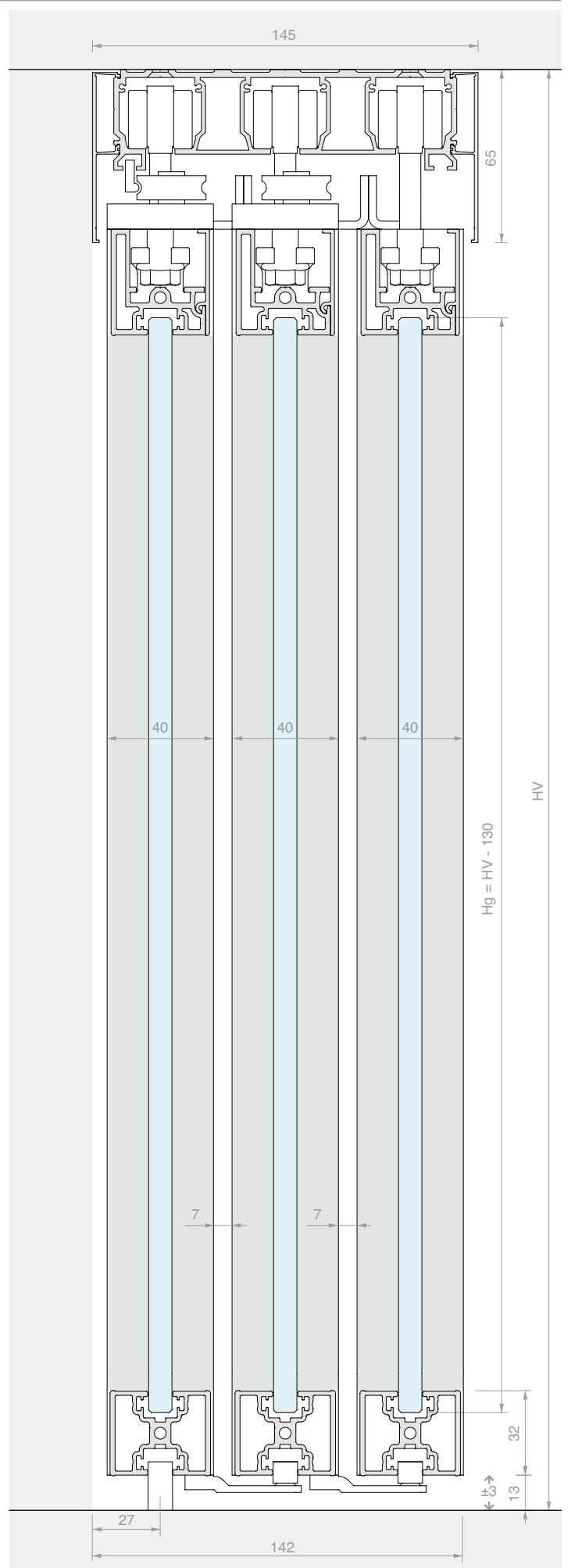
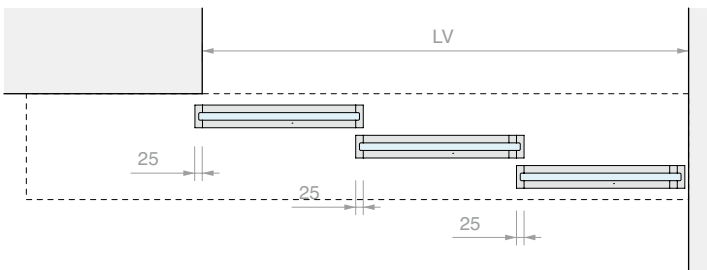
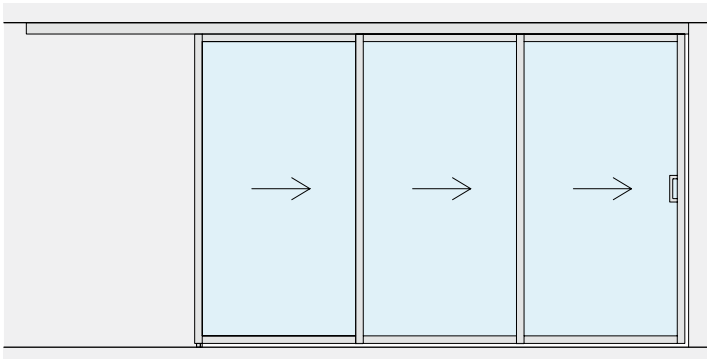
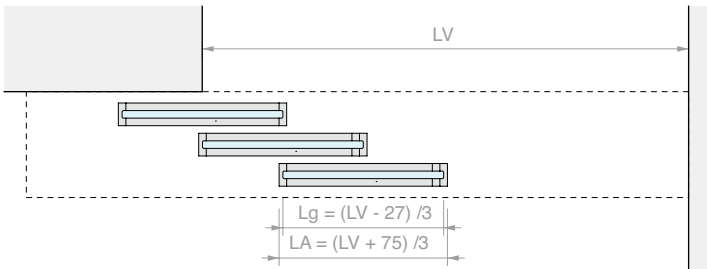
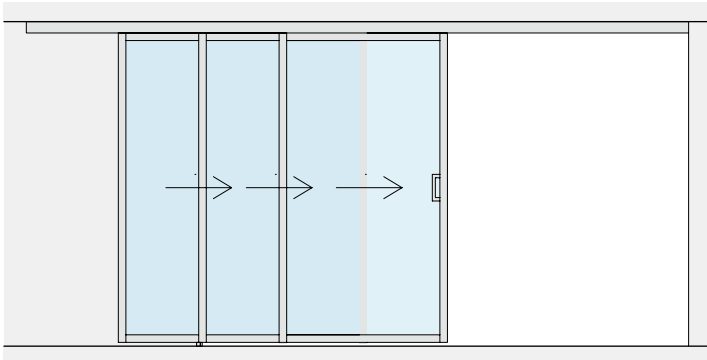
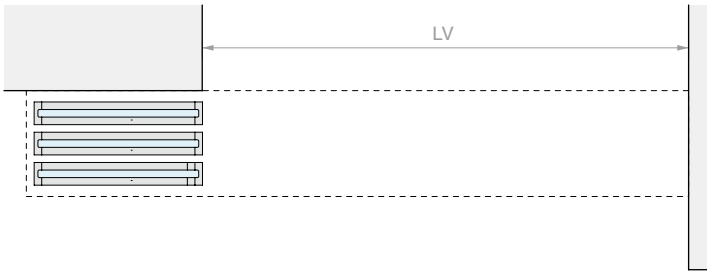
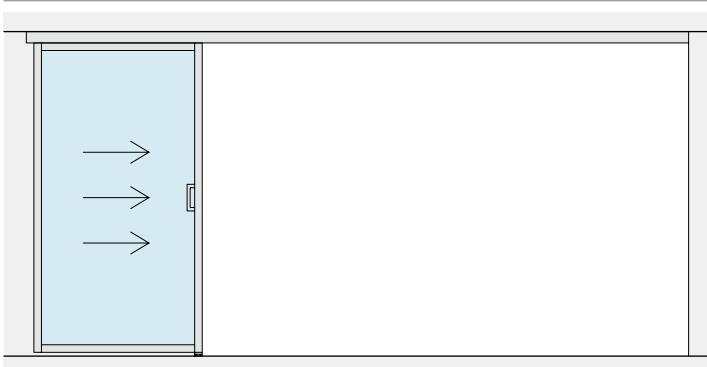
DOOR PANEL PANE



Kit comprising:

Art.	Description	Qty
LMINT-PCOV30.100	Sliding door panel kit with cover	2 Pcs
LMINT-PGUA30.100	Sliding door panel kit with gasket	1 Pc
LM3V129.400	3-way ceiling fixing track	1 Pc
LMCA065.400	Open cover for track	2 Pcs
LM64145TP33	Finishing cap	2 Pcs
057.3073.072	End stop with buffer	2 Pcs
057.3073.071	End stop without buffer	4 Pcs
LM5IN-3AT31	Synchronism kit for 3 dragging doors	1 Pc
HAND32140VHB	Adhesive handle	2 Pcs
Optional		
042.3102.071	Softbreak damper, for panels from 30 to 55 kg	1 or 2 Pcs

Art.	LV max	Qty
LMT6513.400	3060 mm	1 Pc





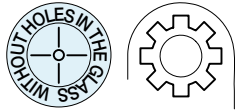




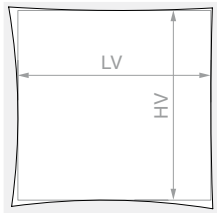
SLIDING DOOR KIT WITH FRAME, CEILING FIXING TRIPLE DRAGGING DOOR AND FIXED GLASS

Material: Aluminium

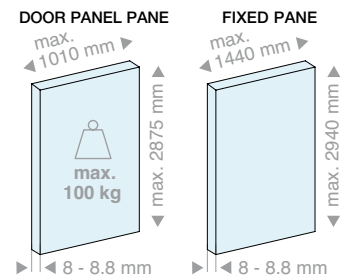
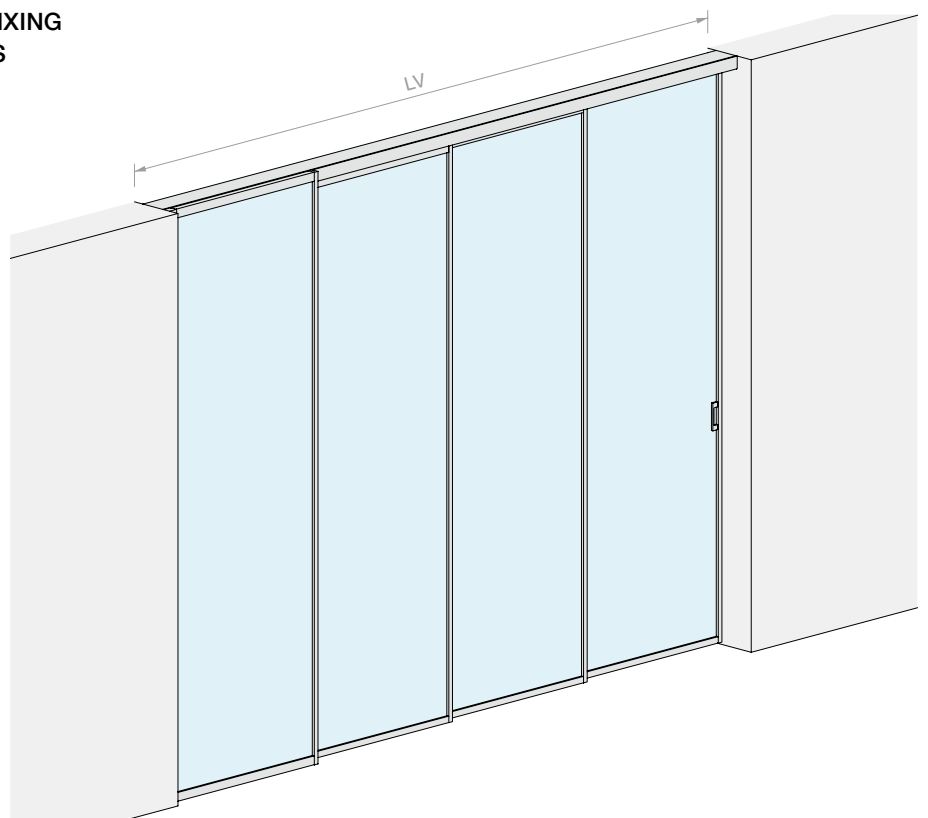
Finish: /6 /88 /97



DOOR OPENING SIZE



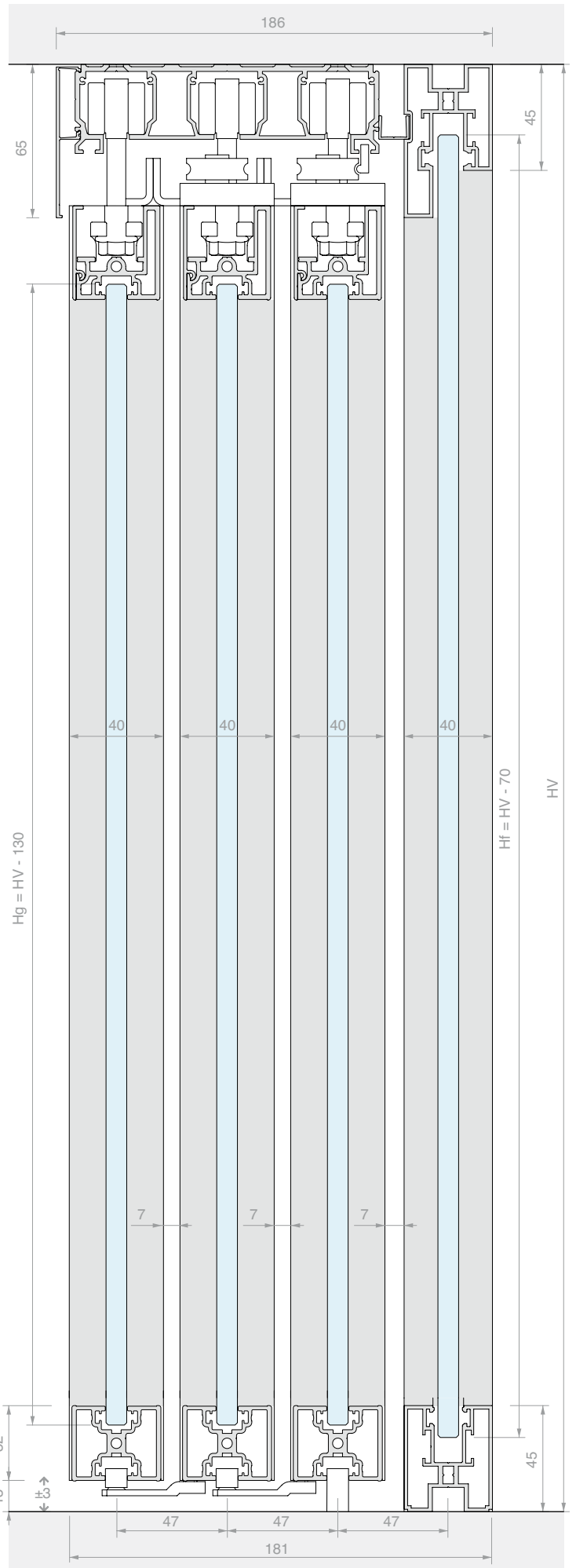
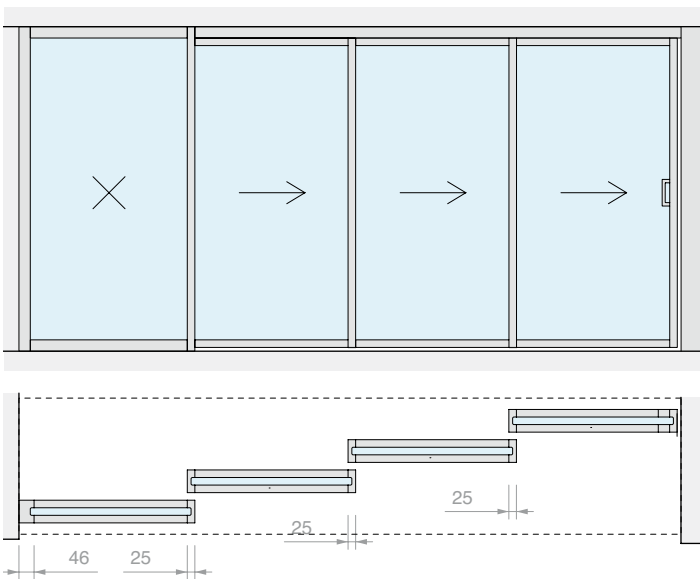
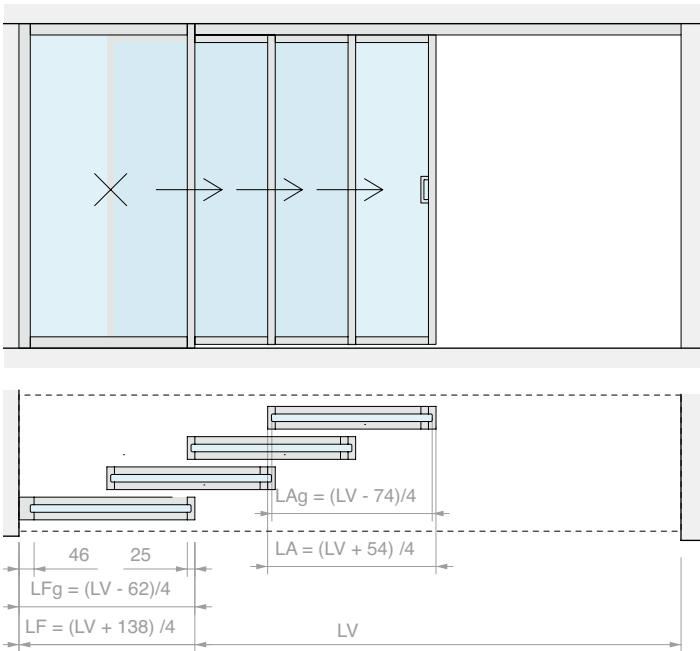
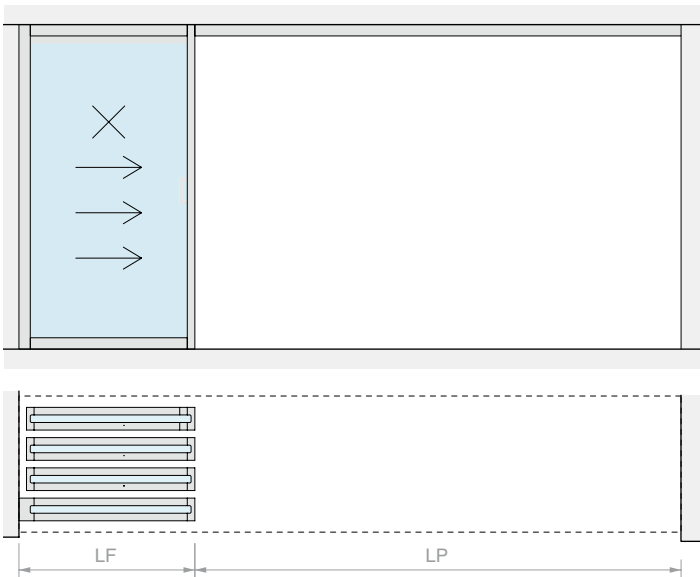
HV max: 3000 mm



Kit comprising:

Art.	Description	Qty
LMINT-PCOV30.100	Sliding door panel kit with cover	2 Pcs
LMINT-PGUA30.100	Sliding door panel kit with gasket	1 Pc
LMINT-VFIX30.100	Framed fixed glass kit	1 Pc
LM3V129.400	3-way ceiling fixing track	1 Pc
FOU1013.30	U profile	1 Pc
LMCA065.400	Open cover for track	2 Pcs
057.3073.072	End stop with buffer	2 Pcs
057.3073.071	End stop without buffer	4 Pcs
LMSIN-3AT31	Synchronism kit for 3 dragging doors	1 Pc
HAND32140VHB	Adhesive handle	2 Pcs
Optional		
042.3102.071	Softbreak damper, for panels from 30 to 55 kg	1 or 2 Pcs

Art.	LV max	Qty
LMT6513F.400	4000 mm	1 Pc









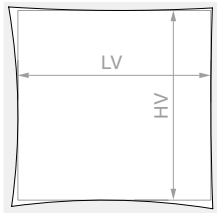
SLIDING DOOR KIT WITH FRAME, WALL FIXING SINGLE DOOR

Material: Aluminium

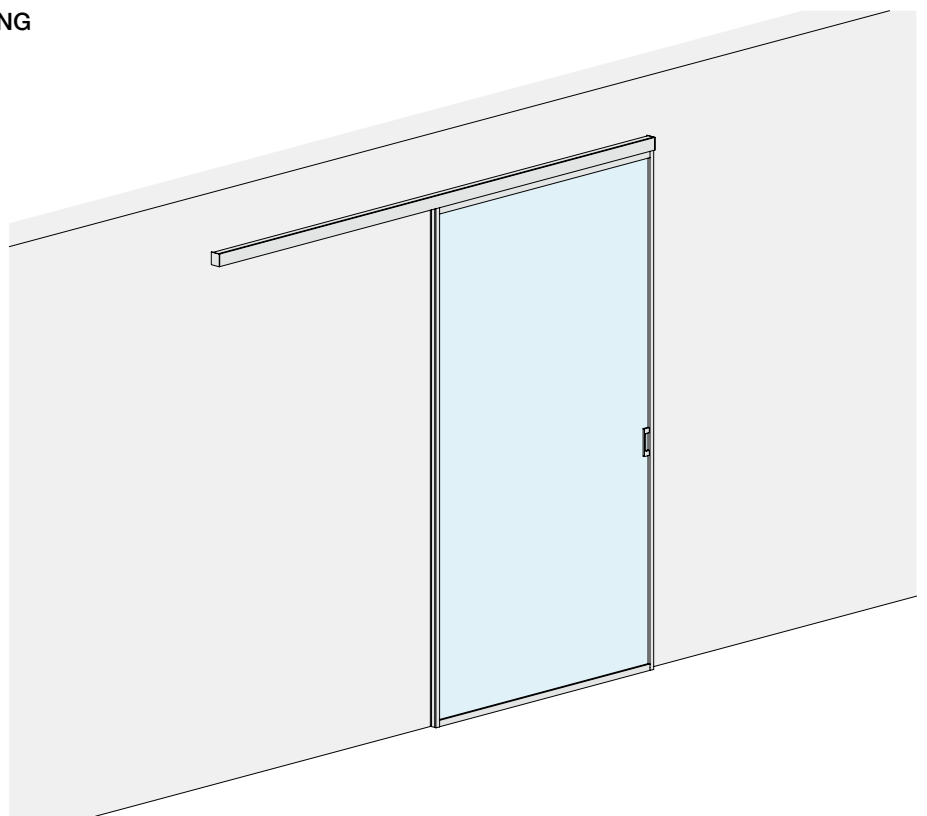
Finish: /6 /88 /97



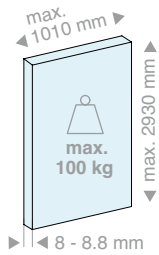
DOOR OPENING SIZE



HV max: 3000 mm



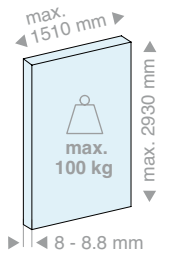
DOOR PANEL PANE



Kit comprising:

Art.	Description	Qty
LMINT-PCOV30.100	Sliding door panel kit with cover	1 Pc
LM04855.200	Wall fixing track	1 Pc
LMCC065.200	Open cover for track	1 Pc
LM64055TP33	Finishing cap	2 Pcs
057.3073.072	End stop with buffer	2 Pcs
LMINT-GT915	Floor guide	1 Pc
HAND32140VHB	Adhesive handle	2 Pcs
Optional		
042.3102.072	Softbreak damper, 20-60 kg	1 Pc
042.3102.071	Softbreak damper, 61-100 kg	1 Pc

DOOR PANEL PANE

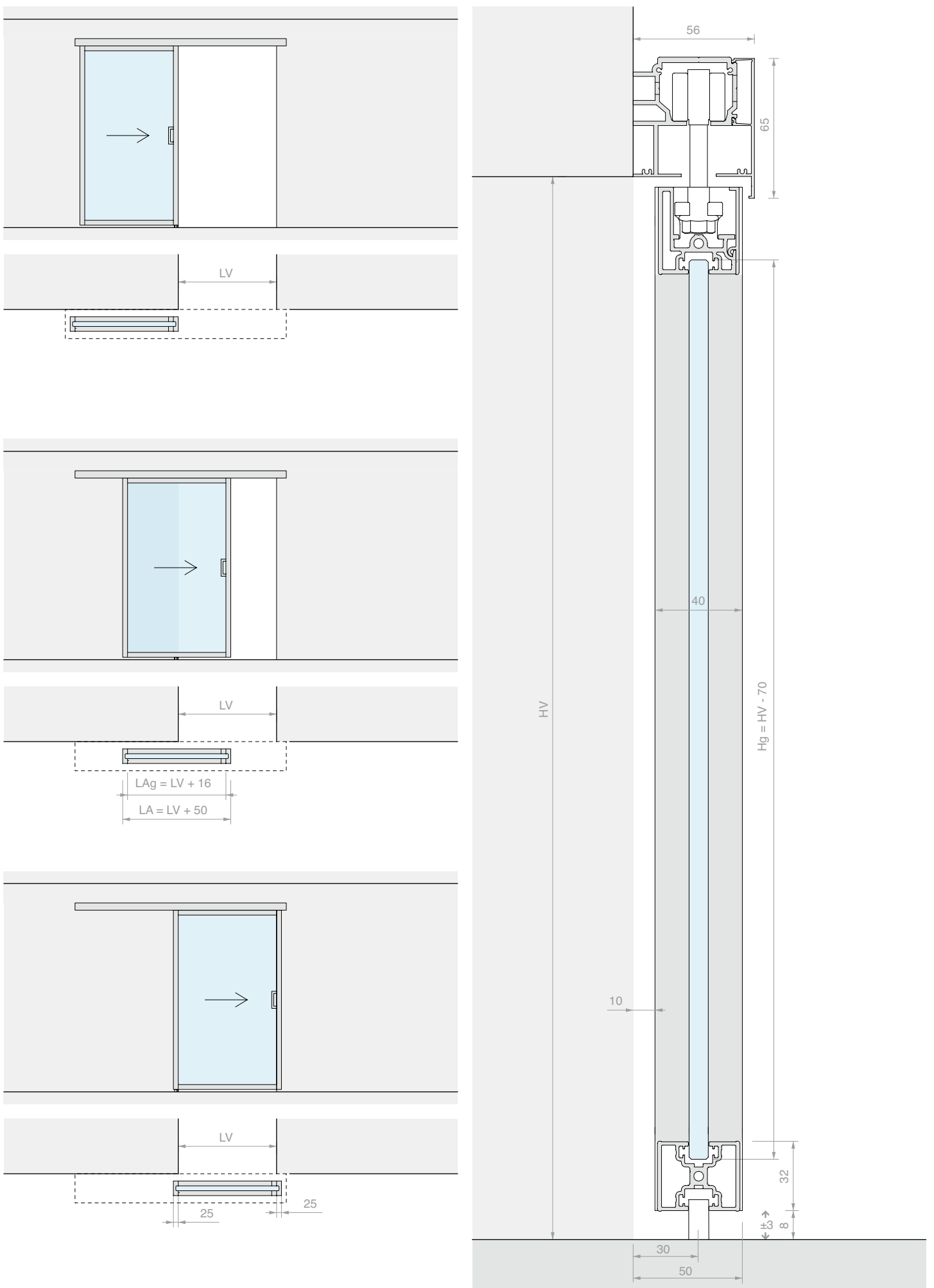


Kit comprising:

Art.	Description	Qty
LMINT-PCOV30.150	Sliding door panel kit with cover	1 Pc
LM04855.300	Wall fixing track	1 Pc
LMCC065.300	Open cover for track	1 Pc
LM64055TP33	Finishing cap	2 Pcs
057.3073.072	End stop with buffer	2 Pcs
LMINT-GT915	Floor guide	1 Pc
HAND32140VHB	Adhesive handle	2 Pcs
Optional		
042.3102.072	Softbreak damper, 20-60 kg	1 Pc
042.3102.071	Softbreak damper, 61-100 kg	1 Pc

Art.	LV max	Qty
LMT6521.200	995 mm	1 Pc

Art.	LV max	Qty
LMT6521.300	1495 mm	1 Pc





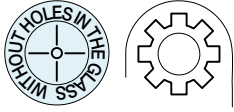




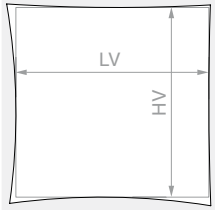
SLIDING DOOR KIT WITH FRAME, WALL FIXING DOUBLE SYNCHRONISED DOOR

Material: Aluminium

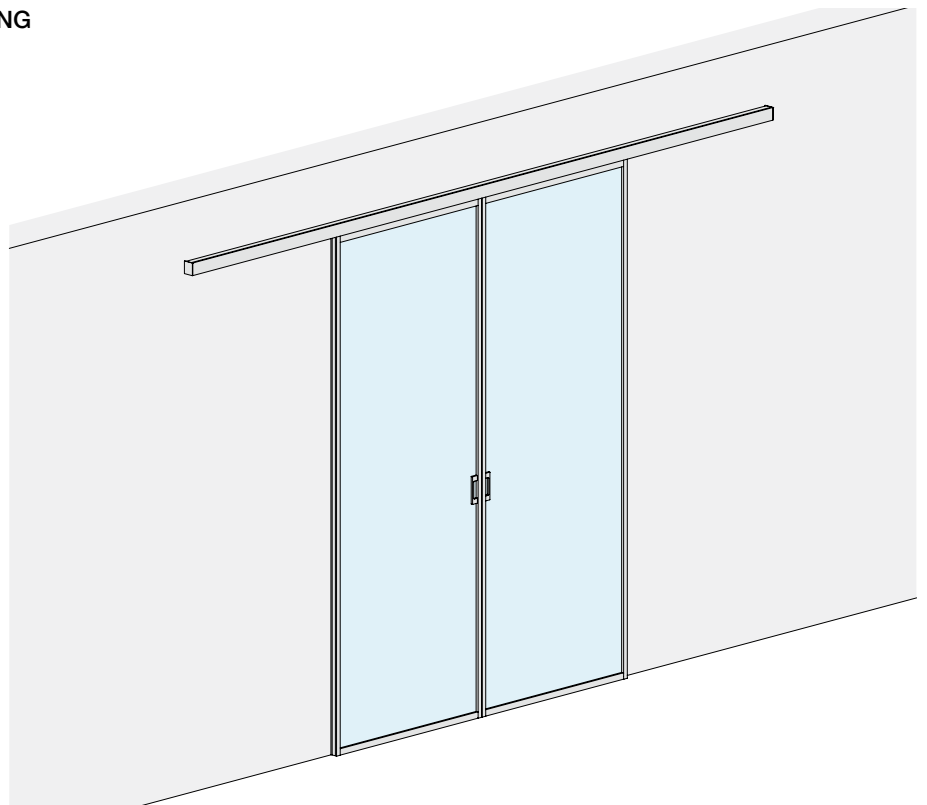
Finish: /6 /88 /97



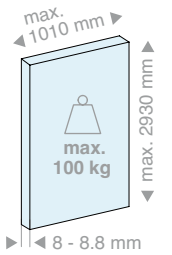
DOOR OPENING SIZE



HV max: 3000 mm



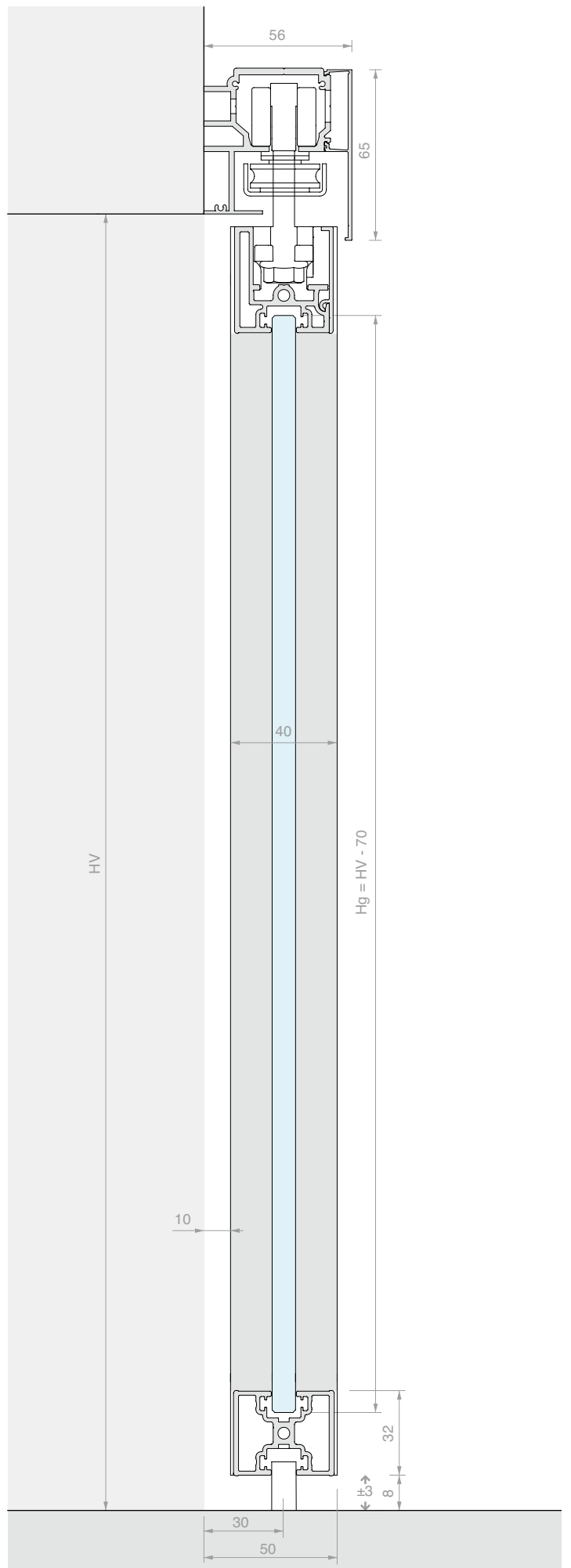
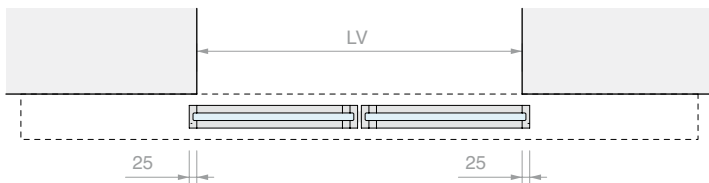
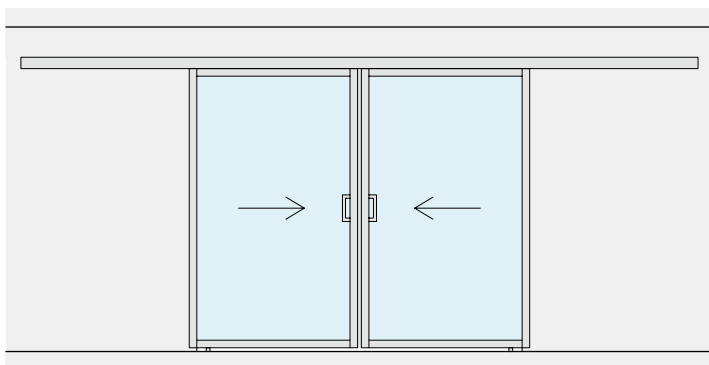
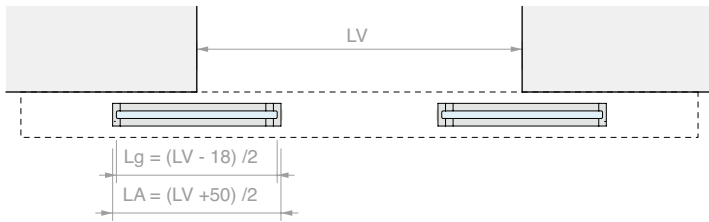
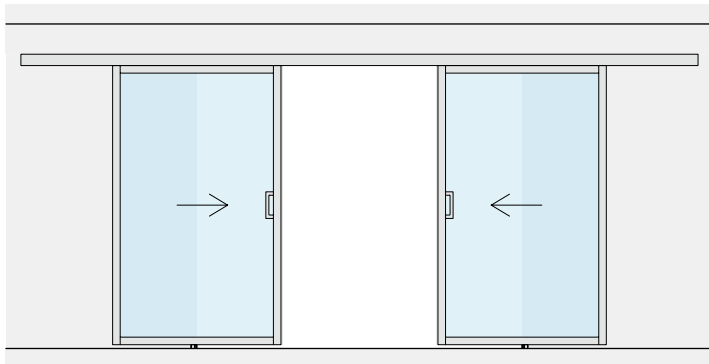
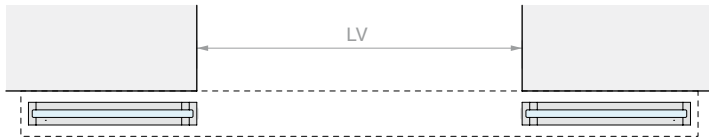
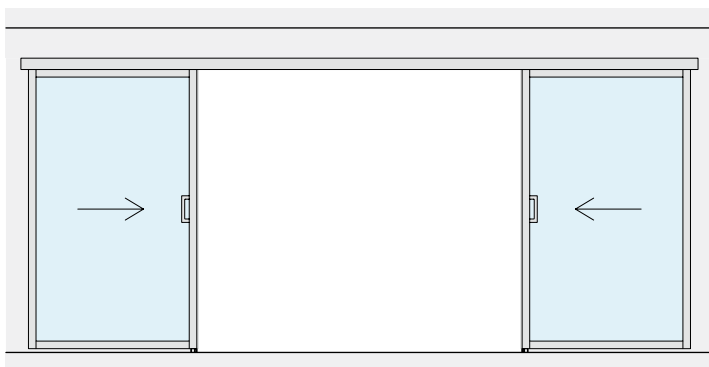
DOOR PANEL PANE



Kit comprising:

Art.	Description	Qty
LMINT-PGUA30.100	Sliding door panel kit with gasket	2 Pcs
LM04855.400	Wall fixing track	1 Pcs
LMCA065.400	Open cover for track	1 Pcs
LM64055TP33	Finishing cap	2 Pcs
057.3073.071	End stop without buffer	4 Pcs
LMSIN-2AC11	Synchronism kit for 2 in-line door panels	1 Pcs
HAND32140VHB	Adhesive handle	4 Pcs
Optional		
042.3102.072	Softbreak damper, 20-60 kg	1 Pcs
042.3102.071	Softbreak damper, 61-100 kg	1 Pcs

Art.	LV max	Qty
LMT6521.400	2040 mm	1 Pcs

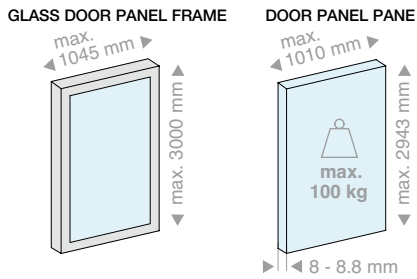
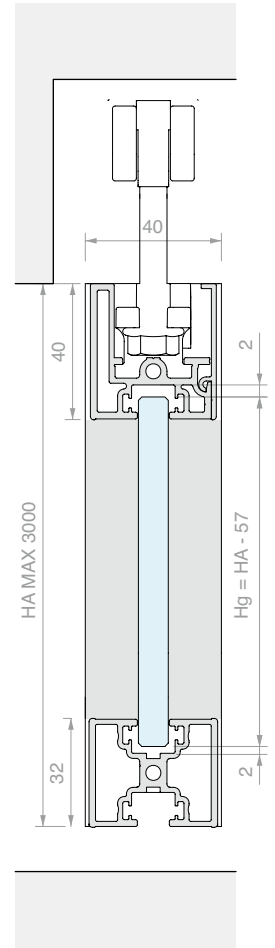
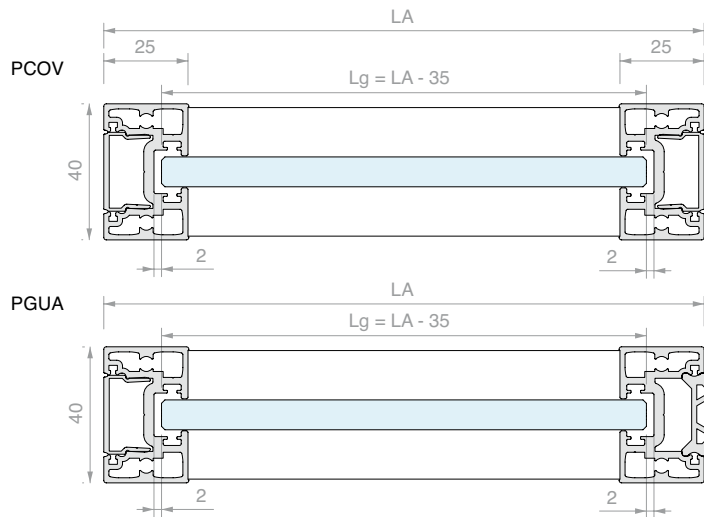
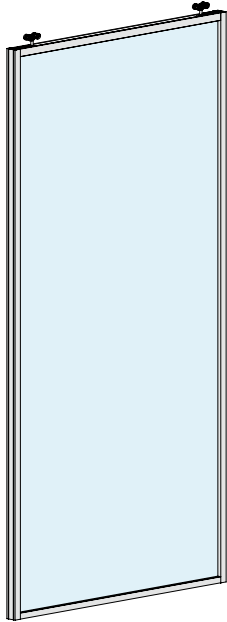




SLIDING DOOR KIT WITH FRAME AND COVER OR SIDE GASKET

Material: Aluminium

Finish: /6 /88 /97

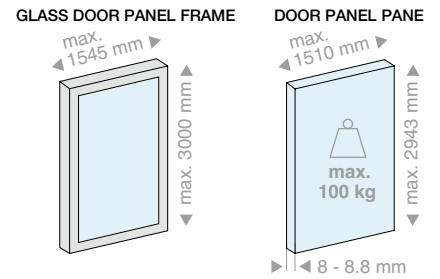


Kit comprising:

Art.	Description	Qty
LM36040.100	Upper crosspiece	1 Pc
LM0040C.100	Cover for upper crosspiece	1 Pc
LM32040.100	Crosspiece for panel	1 Pc
LM25040.300	Side column	2 Pcs
LM0023C.300	Side cover	1 or 2 Pcs
REGTERGUA	Sealing gasket	3 Pcs
LMINT-AM11	Installation kit	1 Pc
CARVIT8X50-A2	Roller with screw and nut	2 Pcs

Only in PGUA kit with gasket

GB01.30	Door striking gasket	1 Pc
----------------	----------------------	------



Kit comprising:

Art.	Description	Qty
LM36040.150	Upper crosspiece	1 Pc
LM0040C.150	Cover for upper crosspiece	1 Pc
LM32040.150	Crosspiece for panel	1 Pc
LM25040.300	Side column	2 Pcs
LM0023C.300	Side cover	1 or 2 Pcs
REGTERGUA	Sealing gasket	3 Pcs
LMINT-AM11	Installation kit	1 Pc
CARVIT8X50-A2	Roller with screw and nut	2 Pcs

Only in PGUA kit with gasket

GB01.30	Door striking gasket	1 Pc
----------------	----------------------	------

Art.	LA max	Qty
LMINT-PCOV30.100	1045 mm	1 Pc
LMINT-PGUA30.100	1045 mm	1 Pc

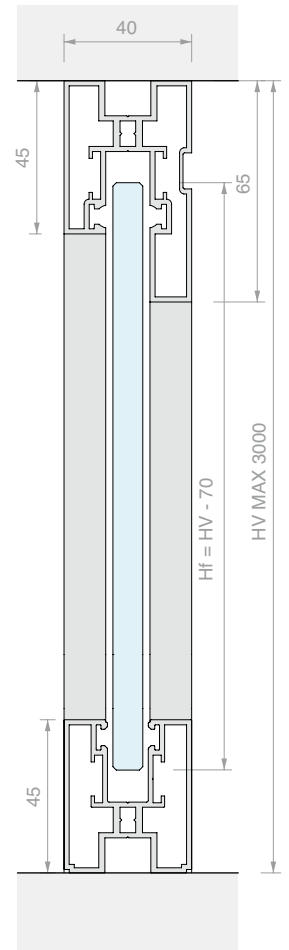
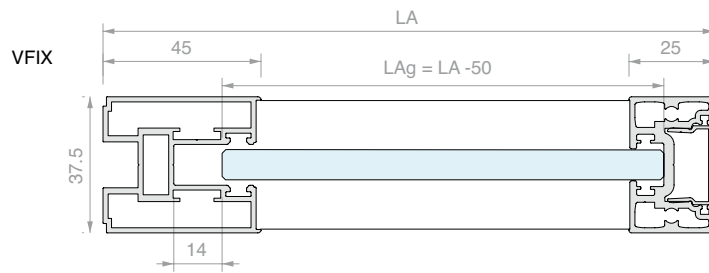
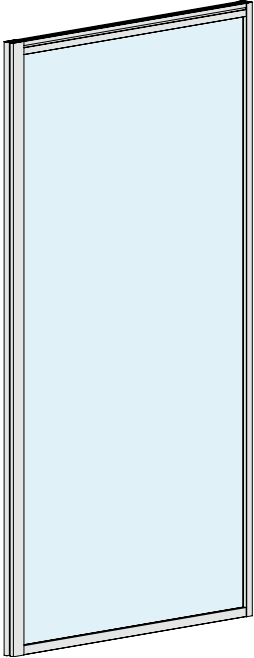
Art.	LA max	Qty
LMINT-PCOV30.150	1545 mm	1 Pc
LMINT-PGUA30.150	1545 mm	1 Pc



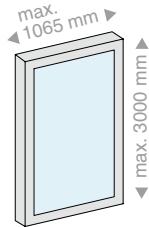
FRAMED FIXED GLASS KIT

Material: Aluminium

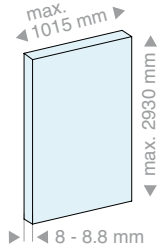
Finish: /6 /88 /97



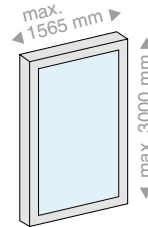
FIXED GLASS FRAME



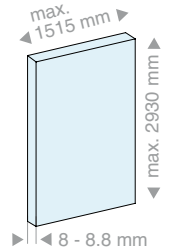
FIXED PANE



FIXED GLASS FRAME



FIXED PANE



Kit comprising:

Art.	Description	Qty
LM38065.100	Upper crosspiece	1 Pc
LM38045.100	Lower crosspiece	1 Pc
LM40045.300	Vertical column	1 Pc
LM25040.300	Side column	1 Pc
LM0023C.300	Side cover	1 Pc
REGTERGUA	Sealing gasket	1 Pc
GP77	Sealing gasket	10 m
VIT7981-4.8X60-ZN	Fixing screw	4 Pcs

Kit comprising:

Art.	Description	Qty
LM38065.150	Upper crosspiece	1 Pc
LM38045.150	Lower crosspiece	1 Pc
LM40045.300	Vertical column	1 Pc
LM25040.300	Side column	1 Pc
LM0023C.300	Side cover	1 Pc
REGTERGUA	Sealing gasket	1 Pc
GP77	Sealing gasket	12 m
VIT7981-4.8X60-ZN	Fixing screw	4 Pcs

Art.	LA max	Qty
LMINT-VFIX30.100	1065 mm	1 Pc

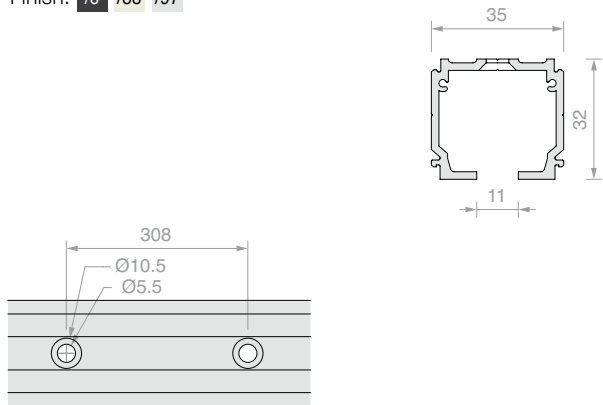
Art.	LA max	Qty
LMINT-VFIX30.150	1565 mm	1 Pc



CEILING FIXING SINGLE TRACK

Material: Aluminium

Finish: /6 /88 /97



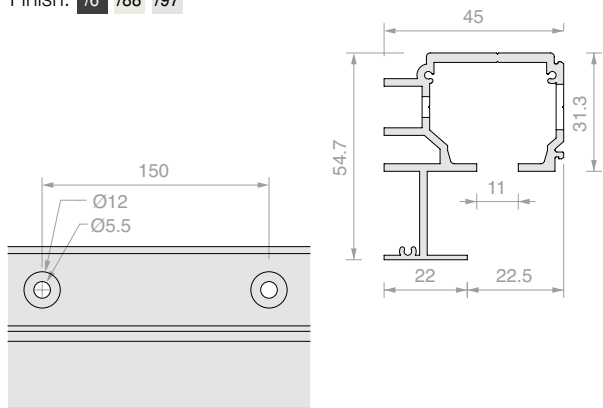
Art.	Length	Qty
LM21.200	1998 mm	1 Pc
LM21.300	2998 mm	1 Pc
LM21.400	3998 mm	1 Pc
LM21.600	6000 mm	1 Pc



WALL FIXING TRACK

Material: Aluminium

Finish: /6 /88 /97



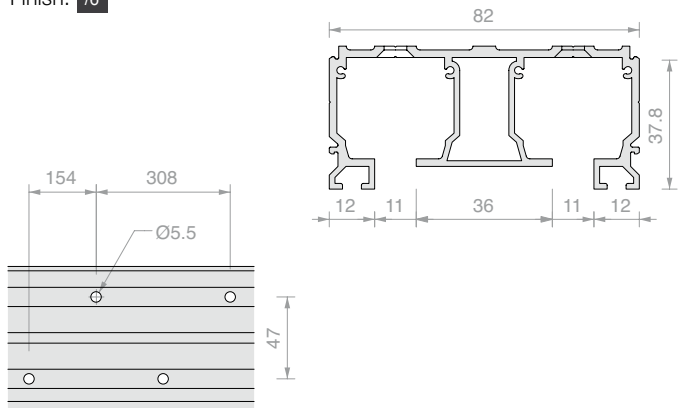
Art.	Length	Qty
LM04855.200	1998 mm	1 Pc
LM04855.300	2998 mm	1 Pc
LM04855.400	3998 mm	1 Pc
LM04855.600	6000 mm	1 Pc



2-WAY CEILING FIXING TRACK

Material: Aluminium

Finish: /6




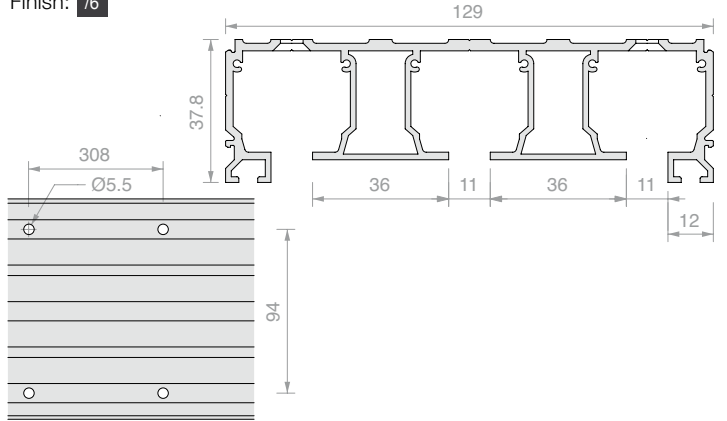
Art.	Length	Qty
LM2V082.200	1998 mm	1 Pc
LM2V082.300	2998 mm	1 Pc
LM2V082.400	3998 mm	1 Pc
LM2V082.600	6000 mm	1 Pc



3-WAY CEILING FIXING TRACK

Material: Aluminium

Finish: 



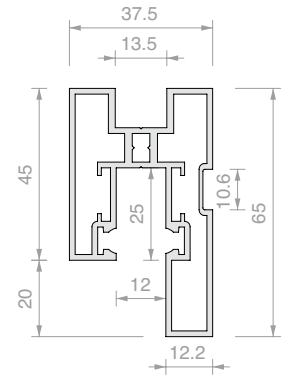
Art.	Length	Qty
LM3V129.200	1998 mm	1 Pc
LM3V129.300	2998 mm	1 Pc
LM3V129.400	3998 mm	1 Pc
LM3V129.600	6000 mm	1 Pc



UPPER CROSSPIECE FOR FIXED GLASS

Material: Aluminium

Finish: 



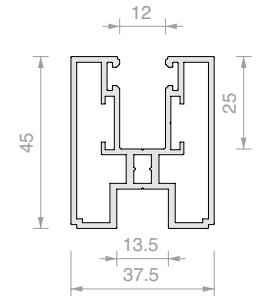
Art.	Length	Qty
LM38065.100	996 mm	1 Pc
LM38065.150	1498 mm	1 Pc
LM38065.300	3000 mm	1 Pc



LOWER CROSSPIECE FOR FIXED GLASS

Material: Aluminium

Finish: 



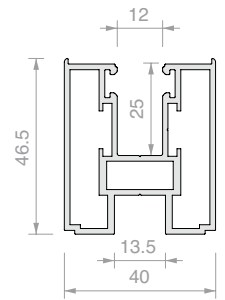
Art.	Length	Qty
LM38045.100	996 mm	1 Pc
LM38045.150	1498 mm	1 Pc
LM38045.300	3000 mm	1 Pc



VERTICAL COLUMN FOR FIXED GLASS

Material: Aluminium

Finish: /6 /88 /97



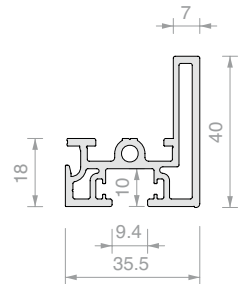
Art.	Length	Qty
LM40045.300	3000 mm	1 Pc
LM40045.400	4000 mm	1 Pc



UPPER CROSSPIECE FOR DOOR

Material: Aluminium

Finish: /6 /88 /97



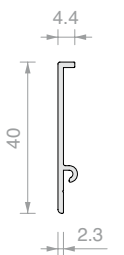
Art.	Length	Qty
LM36040.100	996 mm	1 Pc
LM36040.150	1498 mm	1 Pc
LM36040.300	3000 mm	1 Pc



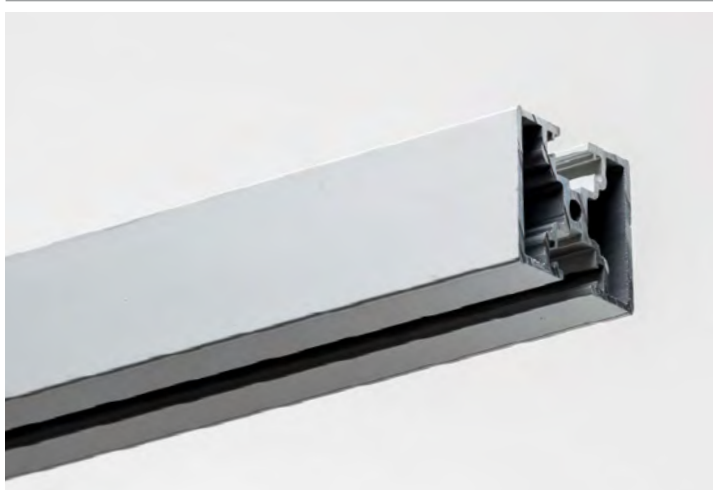
COVER FOR UPPER CROSSPIECE FOR DOOR

Material: Aluminium

Finish: /6 /88 /97



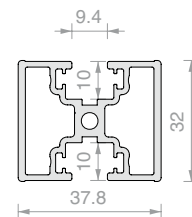
Art.	Length	Qty
LM0040C.100	996 mm	1 Pc
LM0040C.150	1498 mm	1 Pc
LM0040C.300	3000 mm	1 Pc



CROSSPIECE FOR DOOR

Material: Aluminium

Finish: **/6** /88 /97



Art.	Length	Qty
LM32040.100	996 mm	1 Pc
LM32040.150	1498 mm	1 Pc
LM32040.300	3000 mm	1 Pc

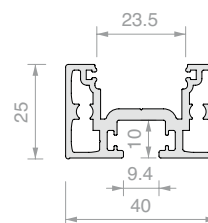


SIDE COLUMN FOR DOOR

Material: Aluminium

With machinings

Finish: **/6** /88 /97



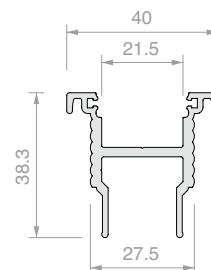
Art.	Length	Qty
LM25040.300	3000 mm	1 Pc
LM25040.400	4000 mm	1 Pc



FULL-LENGTH HANDLE PROFILE

Material: Aluminium

Finish: **/6** /88 /97

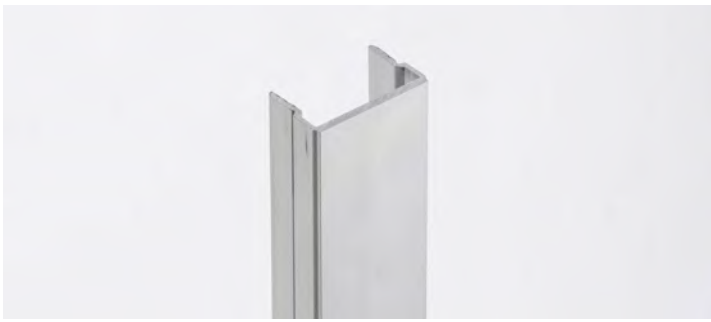


Art.	Length	Qty
LMC0038.300	3000 mm	1 Pc
LMC0038.400	4000 mm	1 Pc



FIXING KIT FOR FULL-LENGTH HANDLE PROFILE LMC0038

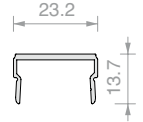
Art.	Qty
LMINT-AM22	1 Pc



SIDE COVER FOR DOOR

Material: Aluminium

Finish: /6 /88 /97



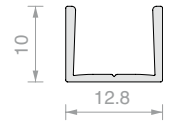
Art.	Length	Qty
LM0023C.300	3000 mm	1 Pc
LM0023C.400	4000 mm	1 Pc



U PROFILE

Material: Aluminium

Finish: /6 /88 /97



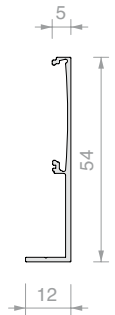
Art.	Length	Qty
FOU1013.30	3000 mm	1 Pc



TRACK COVER

Material: Aluminium

Finish: /6 /88 /97



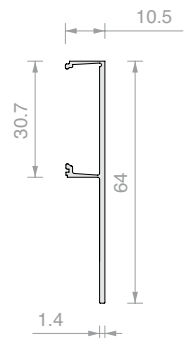
Art.	Length	Qty
LM0055C.200	1998 mm	1 Pc
LM0055C.300	2998 mm	1 Pc
LM0055C.400	3998 mm	1 Pc
LM0055C.600	6000 mm	1 Pc



OPEN COVER FOR TRACK

Material: Aluminium

Finish: /6 /88 /97



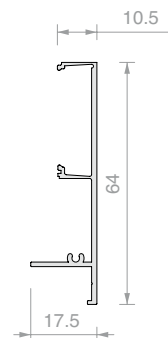
Art.	Length	Qty
LMCA065.100	996 mm	1 Pc
LMCA065.150	1496 mm	1 Pc
LMCA065.200	1998 mm	1 Pc
LMCA065.300	2998 mm	1 Pc
LMCA065.400	3998 mm	1 Pc
LMCA065.600	6000 mm	1 Pc



CLOSED COVER FOR TRACK

Material: Aluminium

Finish:   



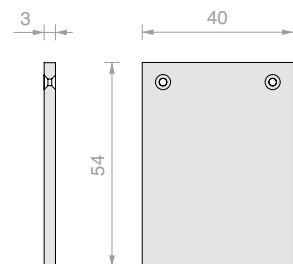
Art.	Length	Qty
LMCC065.100	996 mm	1 Pc
LMCC065.150	1496 mm	1 Pc
LMCC065.200	1998 mm	1 Pc
LMCC065.300	2998 mm	1 Pc
LMCC065.400	3998 mm	1 Pc
LMCC065.600	6000 mm	1 Pc



FINISHING CAP 2 SCREWS

Material: Aluminium

Finish:   



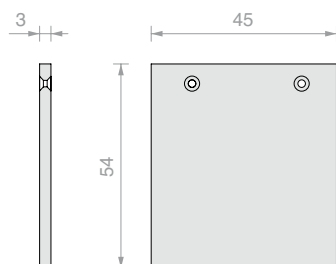
Art.	Qty
LM54040TP32	1 Pc



FINISHING CAP 2 SCREWS

Material: Aluminium

Finish:   



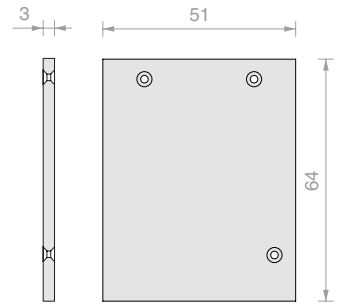
Art.	Qty
LM54049TP32	1 Pc



FINISHING CAP 3 SCREWS

Material: Aluminium

Finish: /6 /88 /97



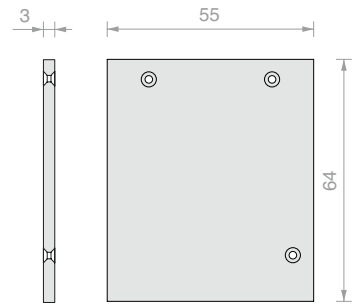
Art.	Qty
LM64051TP33	1 Pc



FINISHING CAP 3 SCREWS

Material: Aluminium

Finish: /6 /88 /97



Art.	Qty
LM64055TP33	1 Pc



FINISHING CAP 2 SCREWS

Material: Aluminium

Finish: /6 /88 /97



Art.	Qty
LM64098TP33	1 Pc



FINISHING CAP 2 SCREWS

Material: Aluminium

Finish: /6 /88 /97



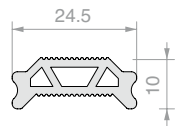
Art.	Qty
LM64145TP33	1 Pc



DOOR STRIKING GASKET

Material: TPE

Finish: /6



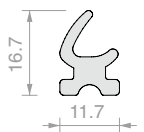
Art.	Length	Qty
GB01.30	3000 mm	1 Pc



SEALING GASKET WITH LIP

Material: TPE

Colour: Transparent



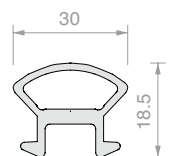
Art.	Length	Qty
REGTERGUA	3000 mm	1 Pc



BALLOON SEALING GASKET

Material: TPE

Finish: /6



Art.	Qty
GP77	1 m



SINGLE DOOR INSTALLATION KIT LMINT.ME.222

Art.	Qty
LMINT-AM11	1 Pc



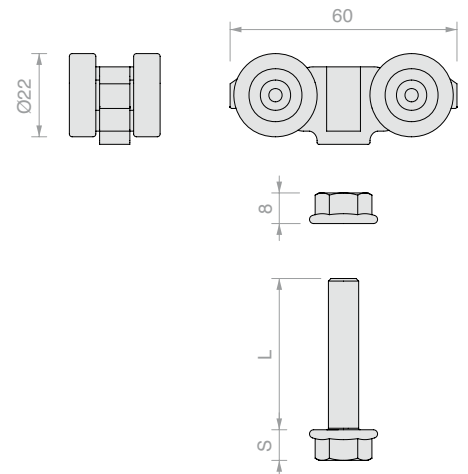
CONNECTING SCREW FOR CROSSPIECES AND COLUMNS

Material: galvanised steel

Art.	Dimensions	Qty
VIT7981-4.8X38-ZN	4.8 mm x 38 mm	1 Pc
VIT7981-4.8X60-ZN	4.8 mm x 60 mm	1 Pc



ROLLER WITH SCREW AND NUT

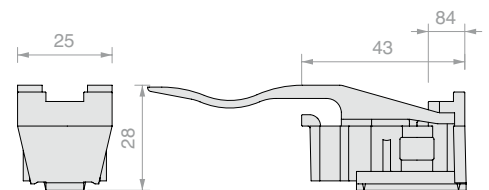


Art.	L	S	For clamps	Qty
CARVIT8X50-A2	50 mm	8 mm	CERPOS514	1 Pc
CARVIT8X40-A2	40 mm	8 mm	CERPOS514	1 Pc
057.3114.071	40 mm	6.6 mm	CERPOS170	1 Pc



END STOP WITH BUFFER

Material: ABS

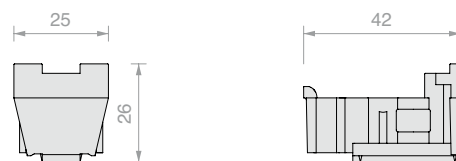


Art.	Q.ty
057.3073.072	1 Pc



END STOP WITHOUT BUFFER

Material: ABS

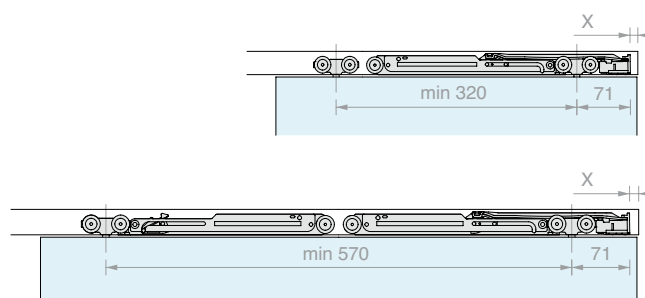


Art.	Q.ty
057.3073.071	1 Pc



SOFTBREAK DAMPER

Material: ABS, zamak and steel

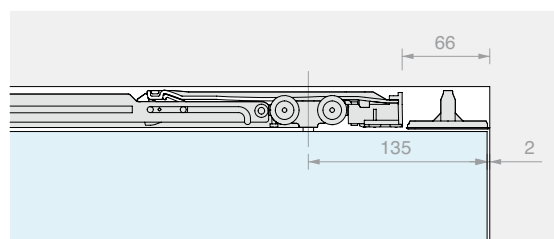


Art.	Load	Qty
042.3102.072	From 20 to 60 kg	1 Pc
042.3102.071	From 61 to 100 kg	1 Pc



SLOT COVER

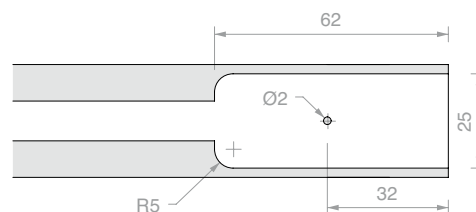
Material: ABS



Art.	Qty
042.3114.071	1 Pc



MACHINING FOR SLOT ON PROFILE



Art.	Qty
LMTAS	1 Pc



SYNCHRONISATION FOR 2 IN-LINE DOOR WITH FLOOR GUIDE

Art.	Qty
LMSIN-2AC11	1 Pc



SYNCHRONISATION FOR 2 DRAGGING DOORS WITH FLOOR GUIDE

Art.	Qty
LMSIN-2AT21	1 Pc



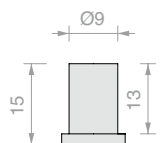
SYNCHRONISATION FOR 3 DRAGGING DOORS WITH FLOOR GUIDE

Art.	Qty
LMSIN-3AT31	1 Pc



FLOOR GUIDE

Material: POM, ABS and steel



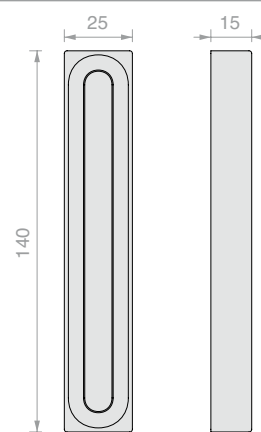
Art.	Qty
LMINT-GT915	1 Pc



HANDLE

Material: Aluminium

Finish: /88 /97 /R2



Art.

MFM14025

Qty

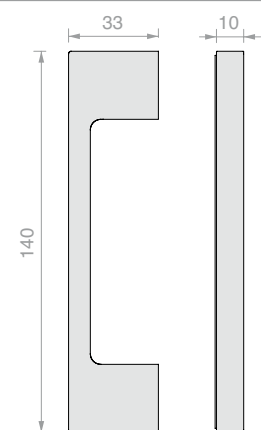
1 Pc



“C” HANDLE

Material: Aluminium

Finish: /88 /97 /R2

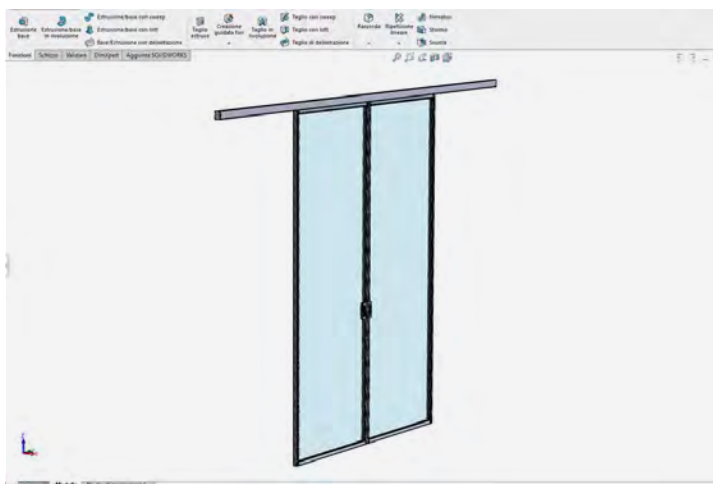


Art.

HAND32140VHB

Qty

1 Pc



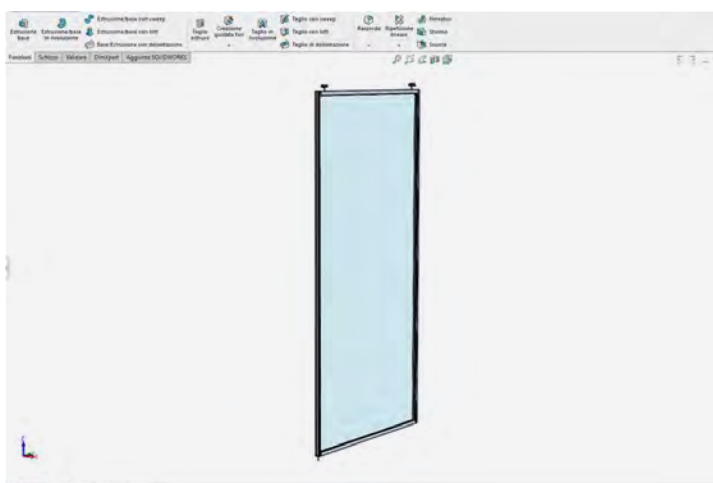
CALCULATION AND CUSTOM CUTTING FULLY FRAMED SYSTEM

Art.

LMTCUT

Qty

1 Pc



CALCULATION AND CUSTOM CUTTING SINGLE FRAMED DOOR

Art.

LMTCUTDR

Qty

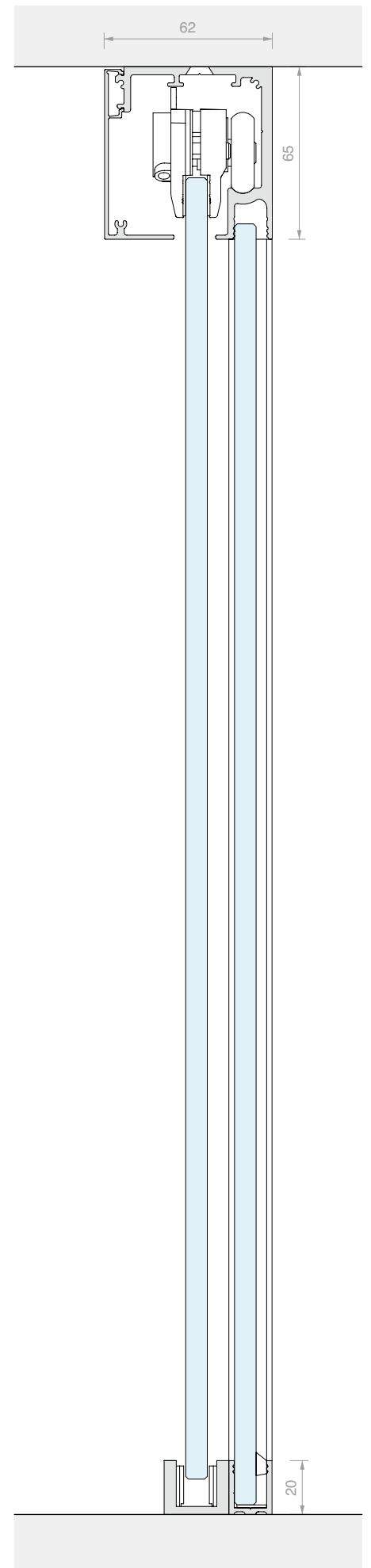
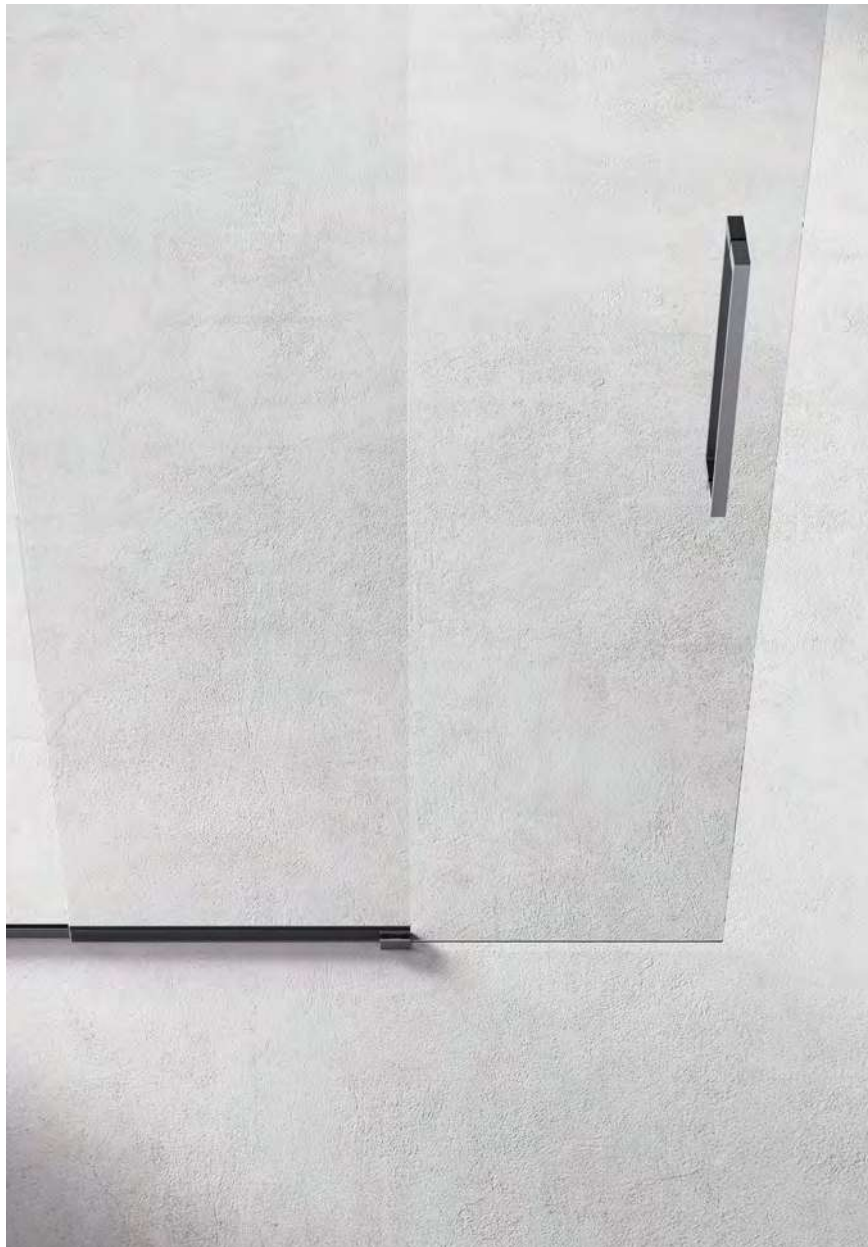
1 Pc

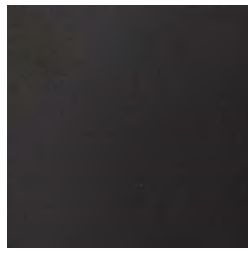
LM PORTA

Design

LM PORTA, simplicity and functionality for your sliding doors.
Explore the LM PORTA collection, with a square design and the same profile dimensions in all configurations.

Wall or ceiling fixing, with or without fixed glass, all in a 62 x 65 mm track.
In addition, the system can be fitted with a single damper per door panel which works when opening and closing.





/6
Matt black



/88
Brushed steel effect
aluminium

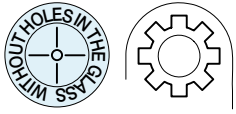


/97
Matt aluminium



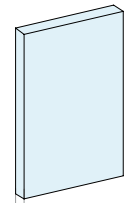
LM PORTA

Technical properties



DOOR PANEL PANE

FIXED PANE

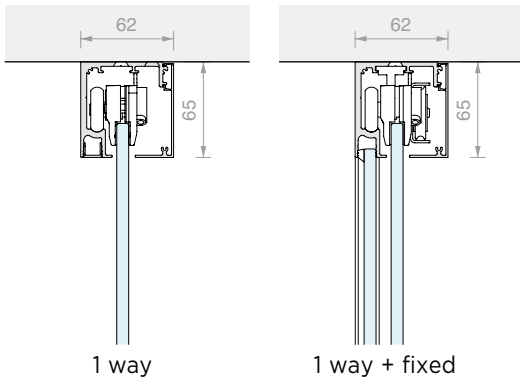


▶ ◀ 8 - 10.8 mm

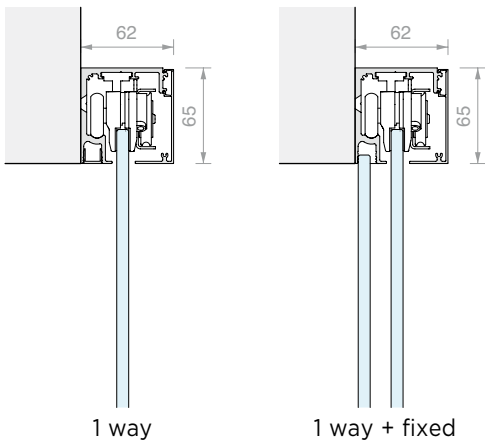
▶ ◀ 8 - 10.8 mm

2 types of installation

Ceiling

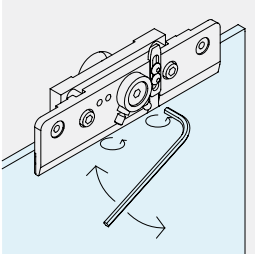
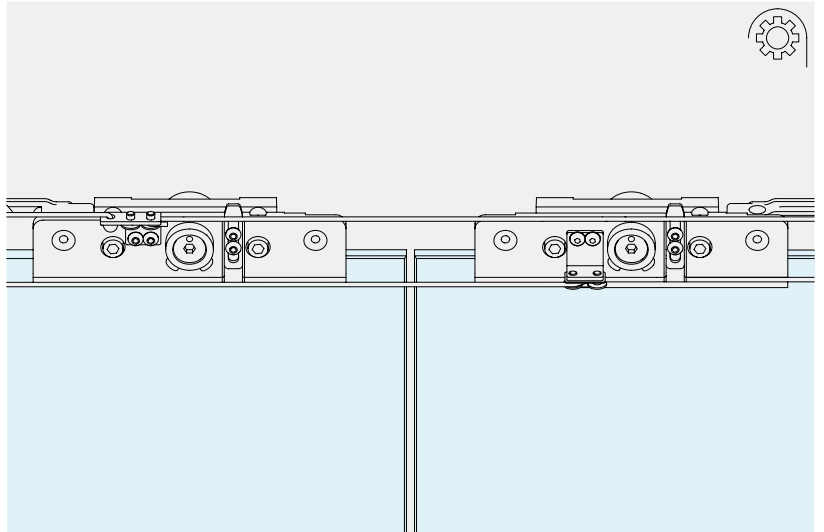
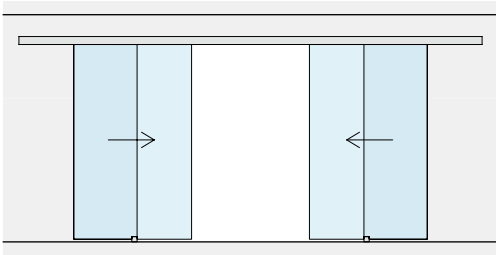


Wall



cover h = 65 mm



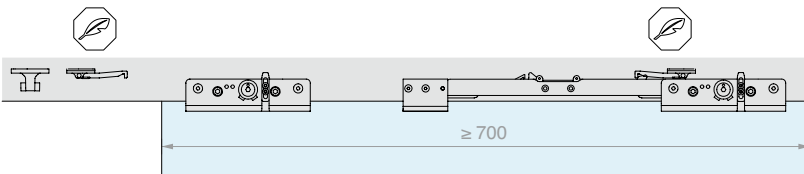


DOOR PANEL ADJUSTMENT

The height of the individual roller can be adjusted to change the position of the door panel by ± 3 mm.

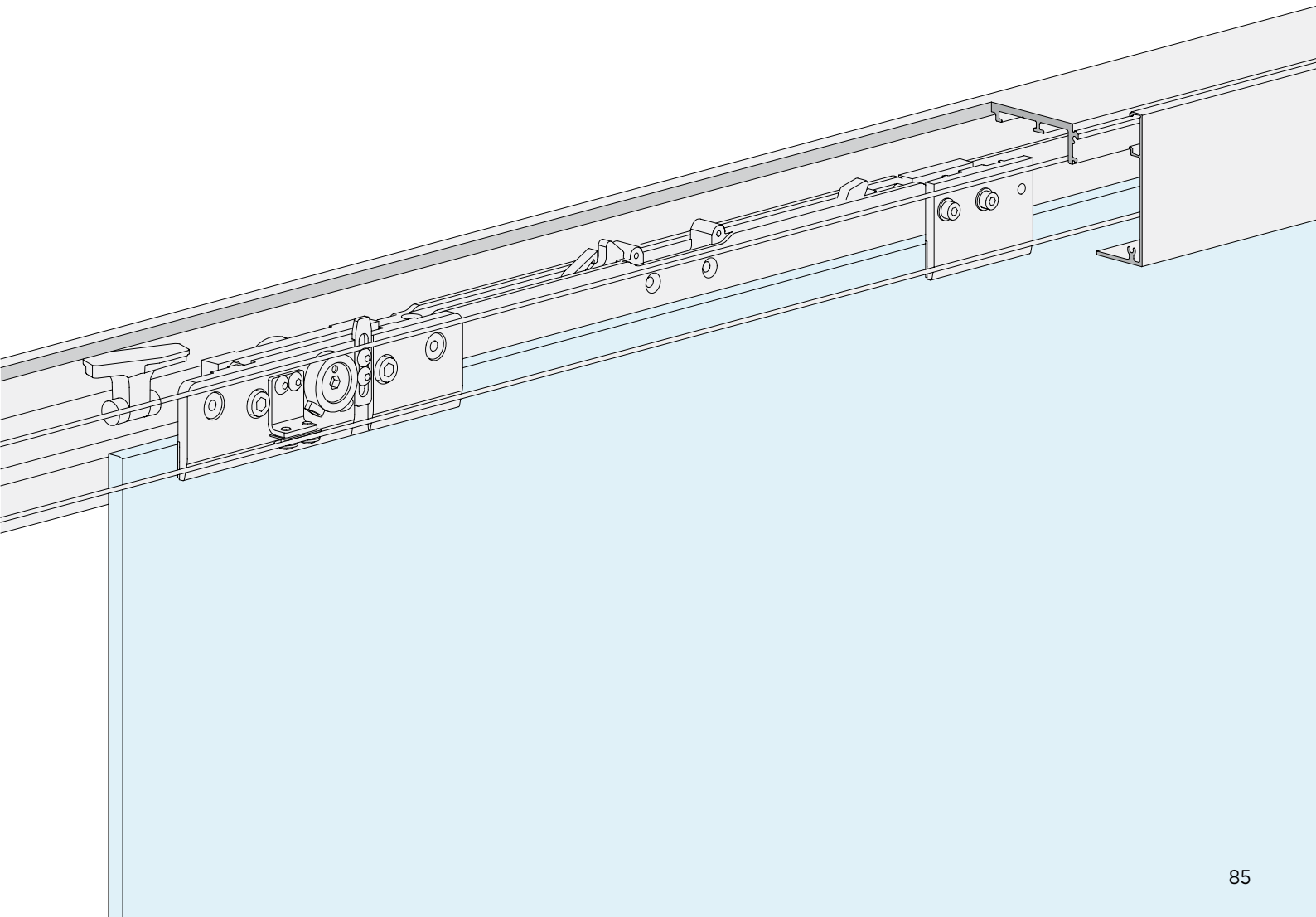
SYNCHRONISM

The following accessories are available for synchronisation simultaneous with 2 moving door panels.



SOFT CLOSE

The use of a single damper delivers delicate and controlled opening and closing.



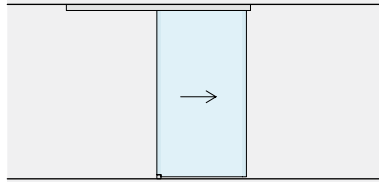


LM PORTA

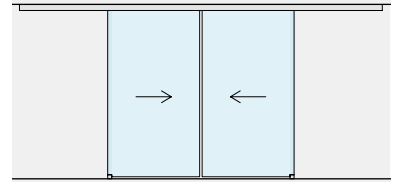
Kit

CEILING FIXING

MOVING DOORS

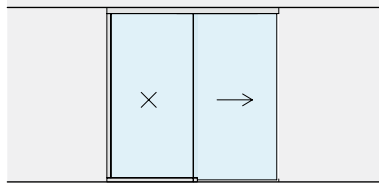


Page 90

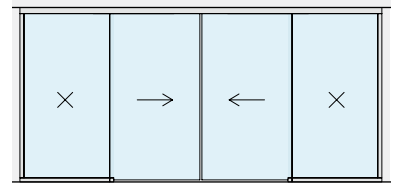


Page 94

MOVING DOORS
WITH FIXED GLASS



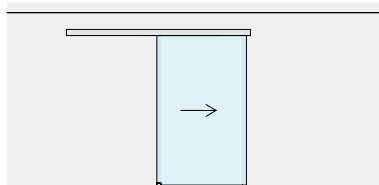
Page 98



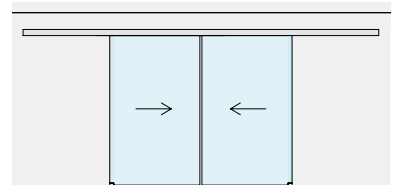
Page 102

WALL FIXING

MOVING DOORS

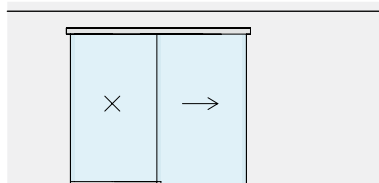


Page 106



Page 110

MOVING DOORS
WITH FIXED GLASS



Page 114



Page 118







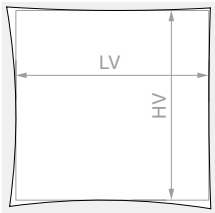
**SLIDING DOOR KIT, CEILING FIXING
SINGLE DOOR**

Material: Aluminium

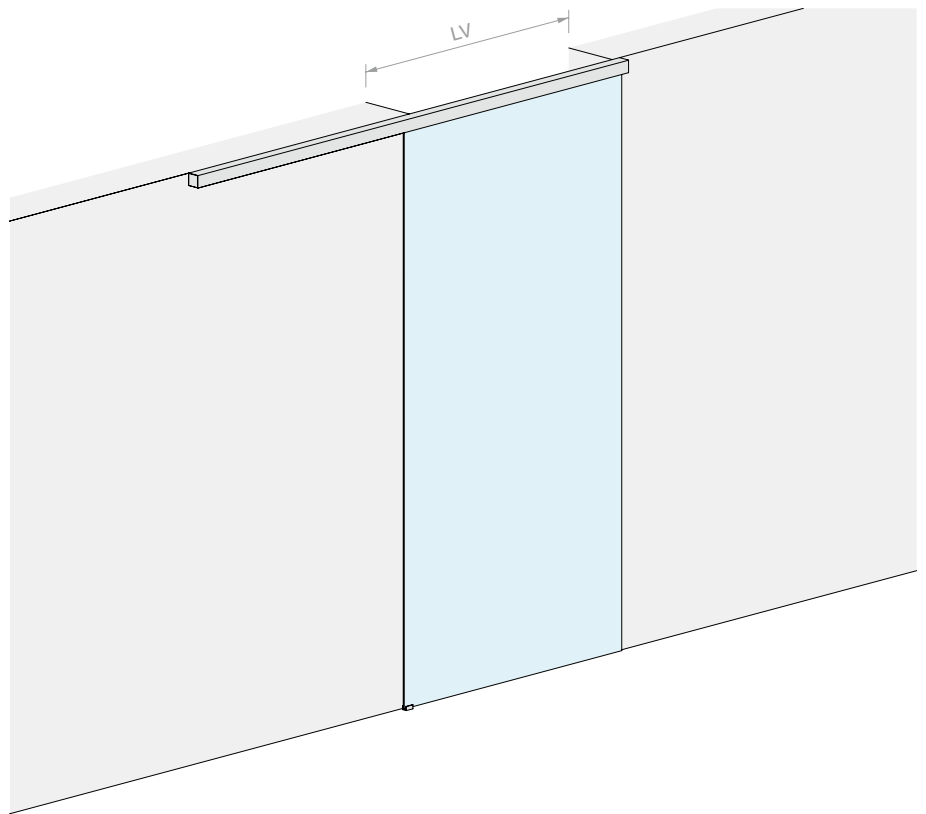
Finish: /6 /88 /97



DOOR OPENING SIZE



HV max: 3000 mm



DOOR PANEL PANE



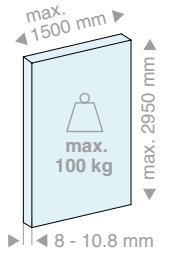
Kit comprising:

Art.	Description	Qty
LM5864S.200	Ceiling fixing track	1 Pc
LM0064C.200	Track cover	1 Pc
LMC13.200	Finishing profile	1 Pc
LM63061TP33	Finishing cap	2 Pcs
CERPOS155	Clamp	2 Pcs
LMPS-STP55	End stop without buffer	2 Pcs
LMGF	Floor guide	1 Pc

Optional

LMDMP070Z	Dual action damper for 40-70 kg	1 Pc
LMDMP100Z	Dual action damper for 70-100 kg	1 Pc
LMPS-PSD55	Supporting clamp for damper	1 Pc
LMSIN-GA55	Softbreak damper activator	2 Pcs

DOOR PANEL PANE



Kit comprising:

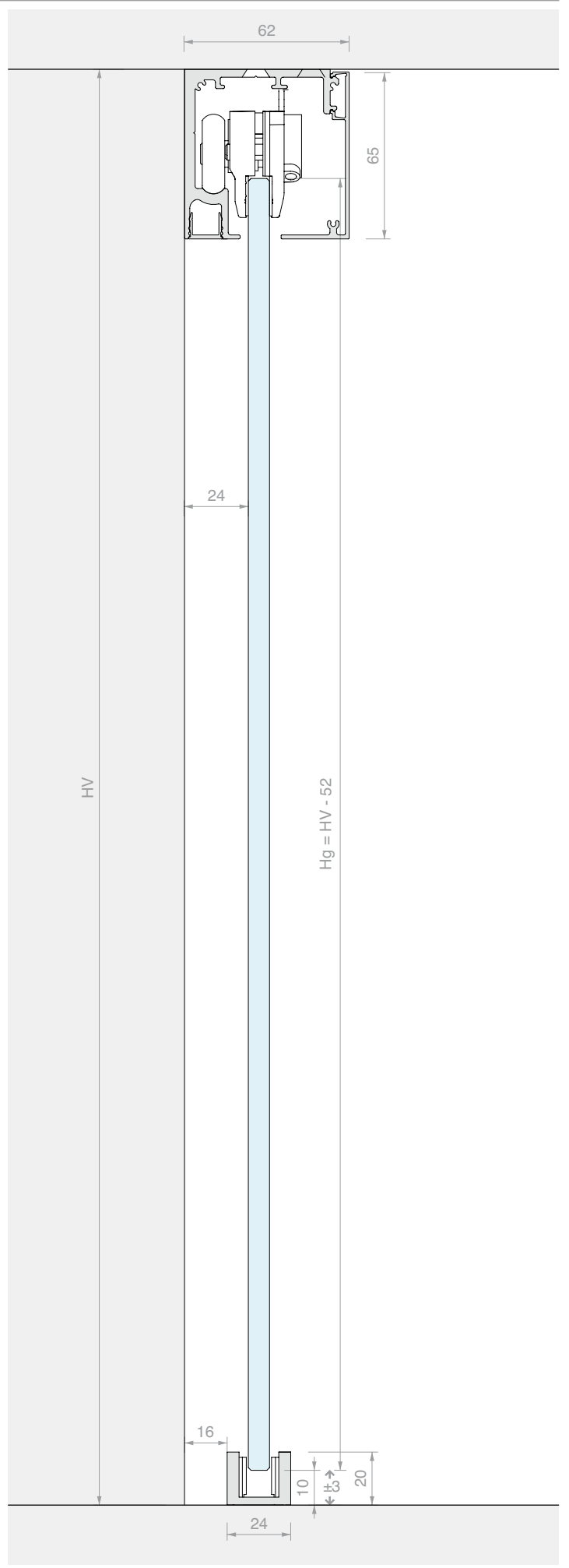
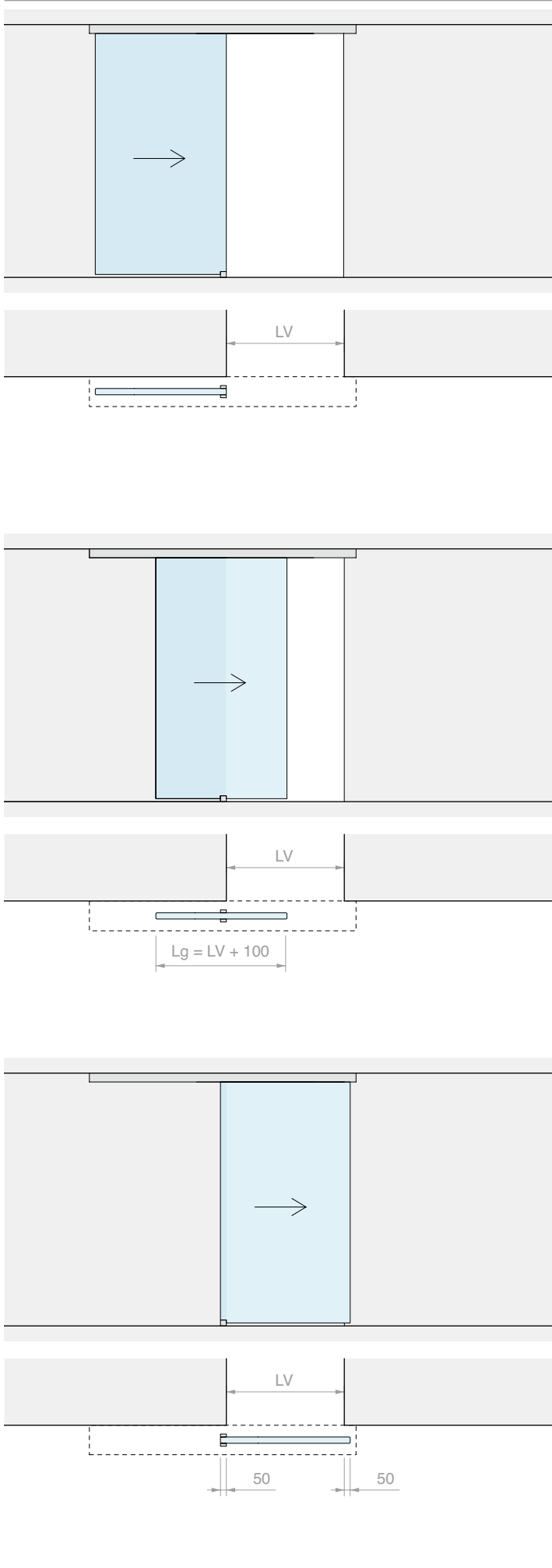
Art.	Description	Qty
LM5864S.300	Ceiling fixing track	1 Pc
LM0064C.300	Track cover	1 Pc
LMC13.300	Finishing profile	1 Pc
LM63061TP33	Finishing cap	2 Pcs
CERPOS155	Clamp	2 Pcs
LMPS-STP55	End stop without buffer	2 Pcs
LMGF	Floor guide	1 Pc

Optional

LMDMP070Z	Dual action damper for 40-70 kg	1 Pc
LMDMP100Z	Dual action damper for 70-100 kg	1 Pc
LMPS-PSD55	Supporting clamp for damper	1 Pc
LMSIN-GA55	Softbreak damper activator	2 Pcs

Art.	LV max	Qty
LMP6511.200	900 mm	1 Pc

Art.	LV max	Qty
LMP6511.300	1400 mm	1 Pc





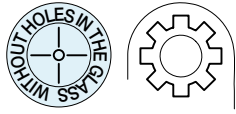




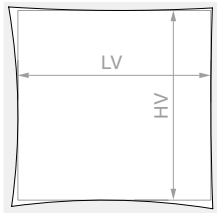
SLIDING DOOR KIT, CEILING FIXING DOUBLE SYNCHRONISED DOORS

Material: Aluminium

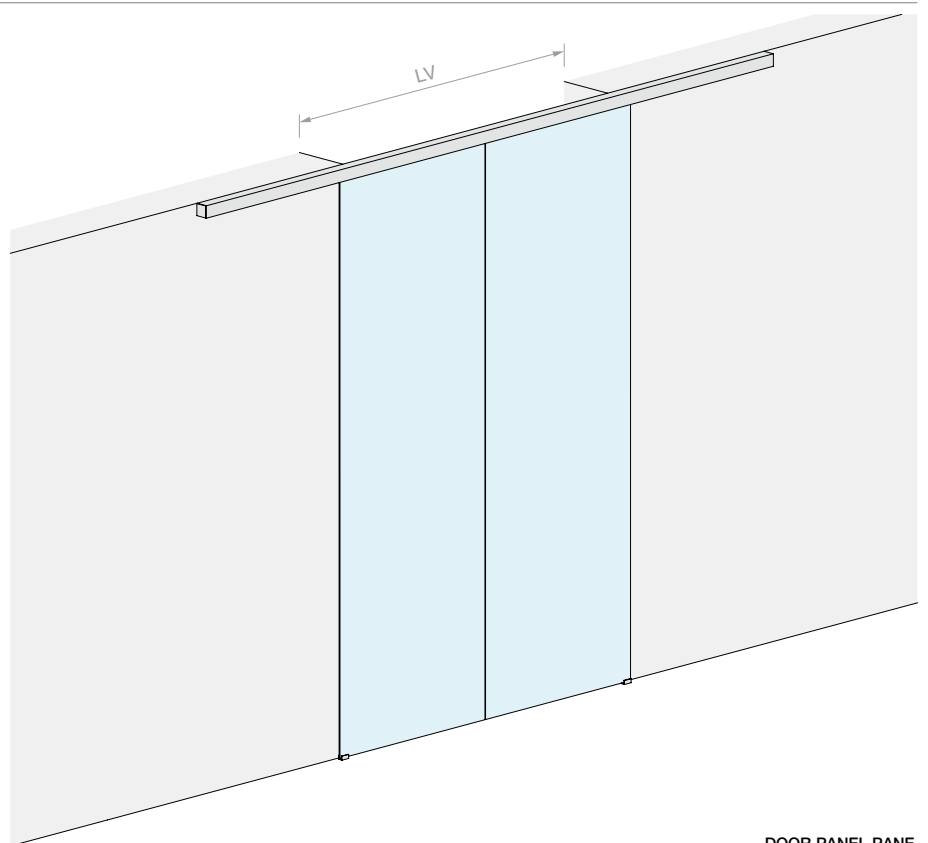
Finish: /6 /88 /97



DOOR OPENING SIZE



HV max: 3000 mm



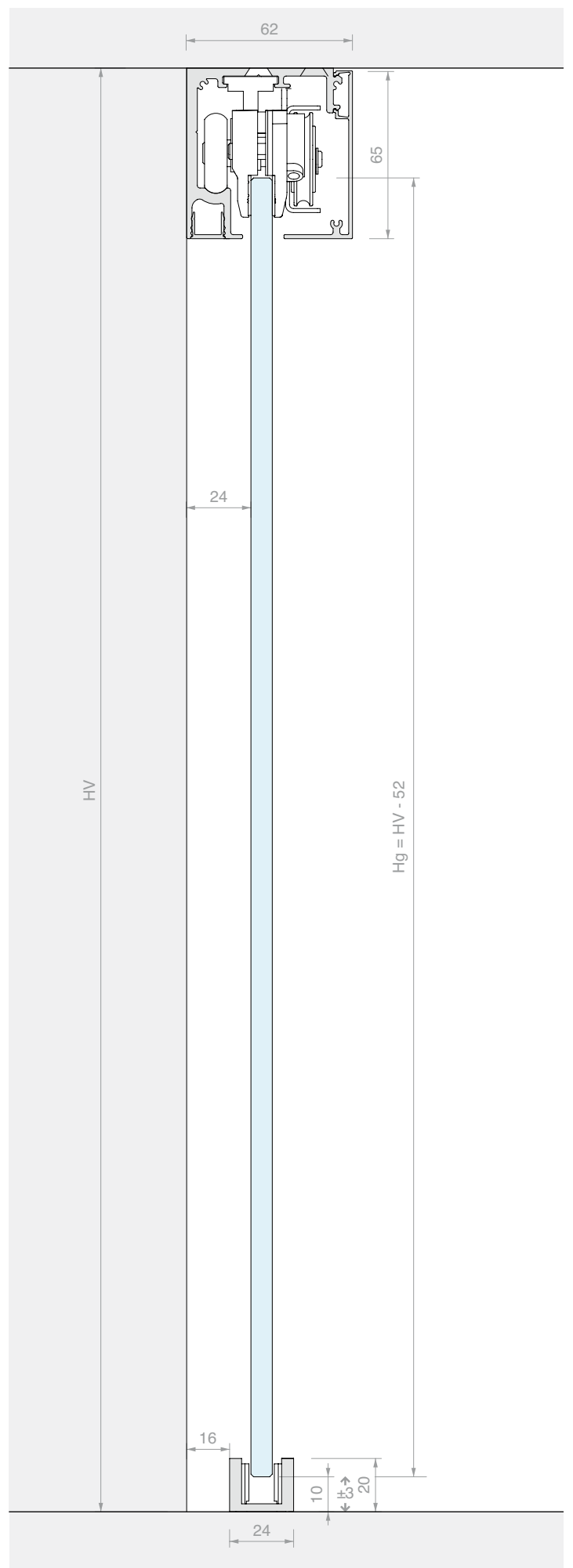
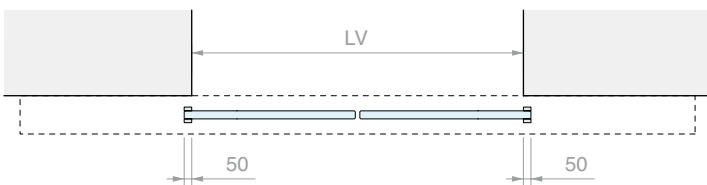
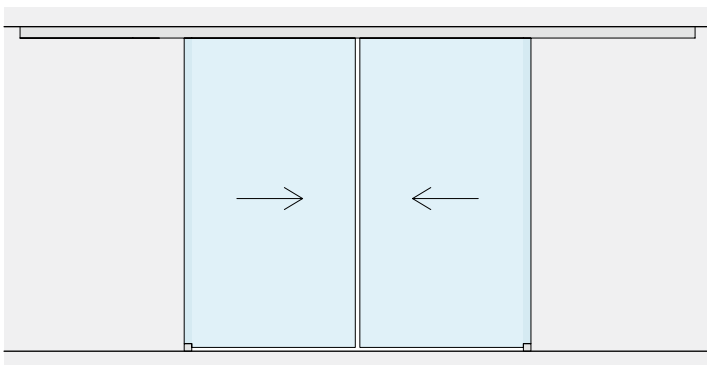
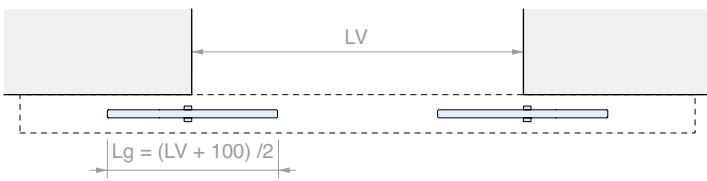
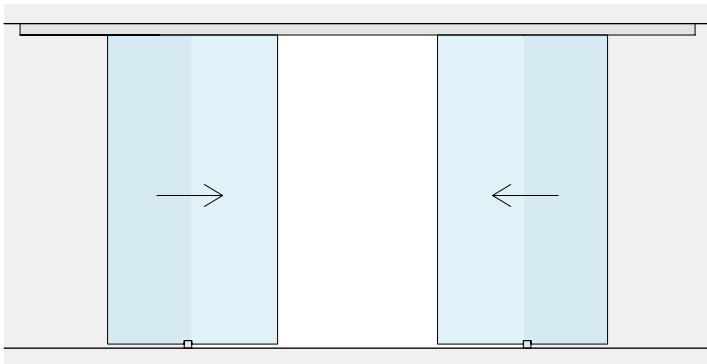
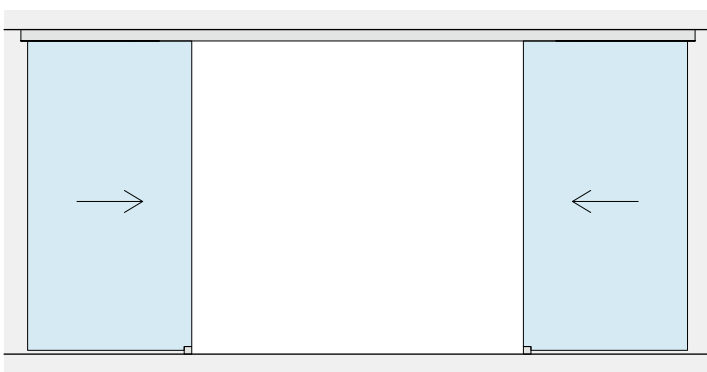
DOOR PANEL PANE



Kit comprising:

Art.	Description	Qty
LM5864S.400	Ceiling fixing track	1 Pc
LM0064C.400	Track cover	1 Pc
LMC13.200	Finishing profile	2 Pcs
LM63061TP33	Finishing cap	2 Pcs
CERPOS155	Clamp	4 Pcs
LMPS-STP55	End stop without buffer	4 Pcs
LMGF	Floor guide	2 Pcs
LMSIN-AC55	Synchronisation kit	1 Pc
Optional		
LMDMP100Z	Dual action damper for 30-50 kg	1 Pc
LMPS-PSD55	Supporting clamp for damper	1 Pc
LMSIN-GA55	Softbreak damper activator	2 Pcs

Art.	LV max	Qty
LMP6511C.400	1900 mm	1 Pc









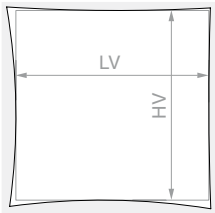
**SLIDING DOOR KIT, CEILING FIXING
SINGLE DOOR AND FIXED GLASS**

Material: Aluminium

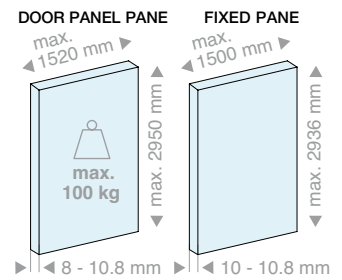
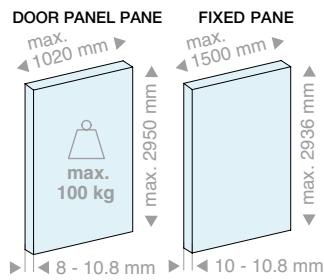
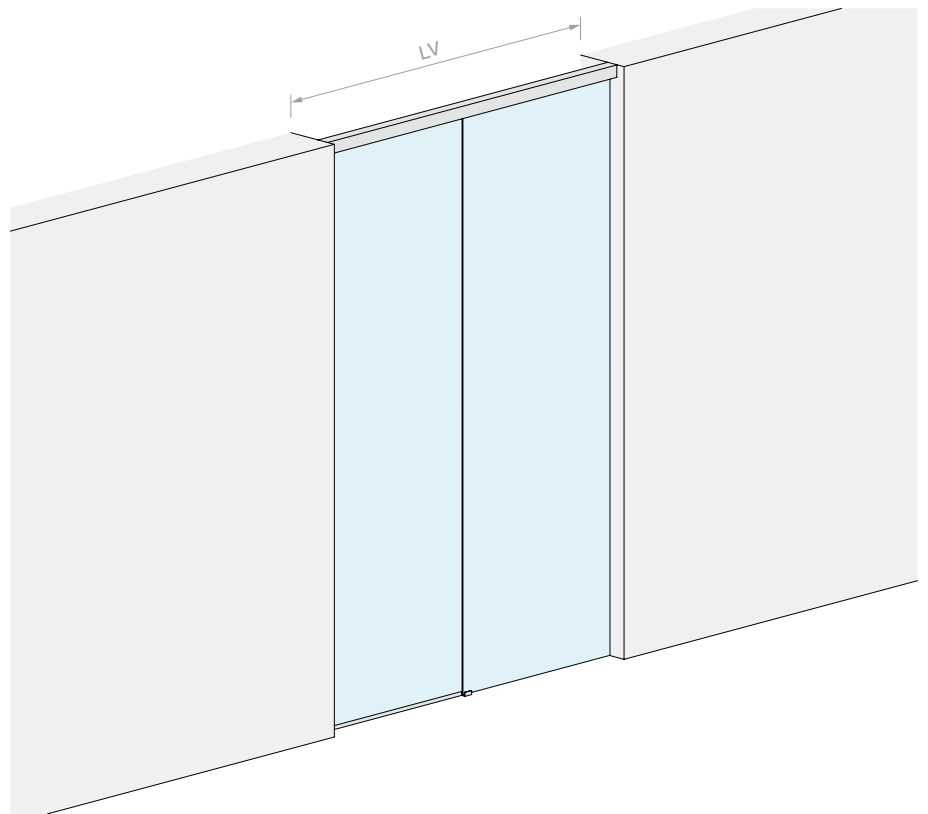
Finish: /6 /88 /97



DOOR OPENING SIZE



HV max: 3000 mm



Kit comprising:

Art.	Description	Qty
LM5864S.200	Ceiling fixing track	1 Pc
LM0064C.200	Track cover	1 Pc
LMC13.100	Finishing profile	1 Pc
LMU20.300	U profile	1 Pc
LMU20.150	U profile	1 Pc
LMU20TP	Finishing cap	1 Pc
CERPOS155	Clamp	2 Pcs
LMPS-STP55	End stop without buffer	2 Pcs
GTUP2	Glass holder gasket	5 m
LMGF	Floor guide	1 Pc

Optional

LMDMP070Z	Dual action damper for 40-70 kg	1 Pc
LMDMP100Z	Dual action damper for 70-100 kg	1 Pc
LMPS-PSD55	Supporting clamp for damper	1 Pc
LMSIN-GA55	Softbreak damper activator	2 Pcs

Kit comprising:

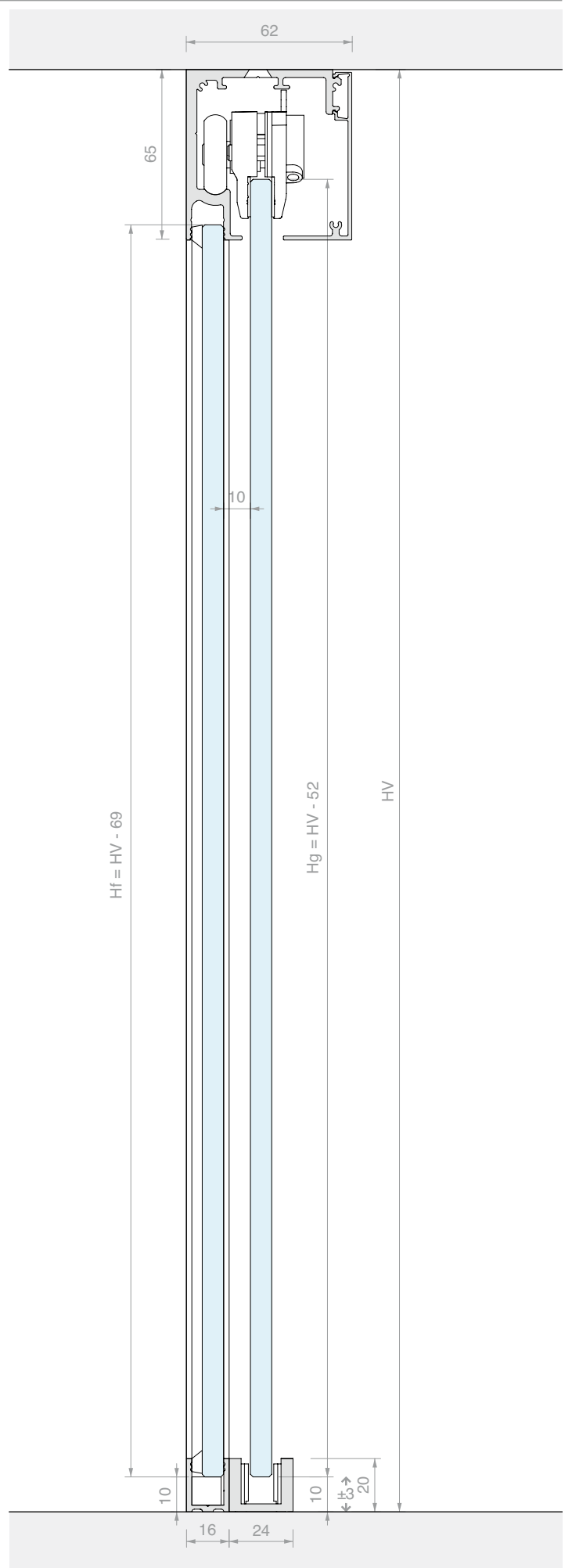
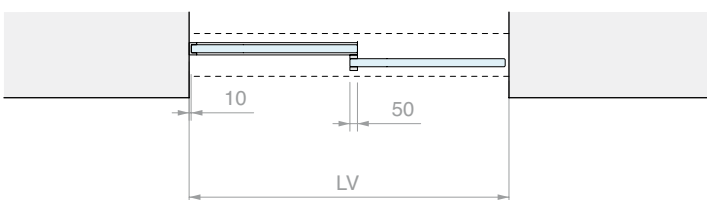
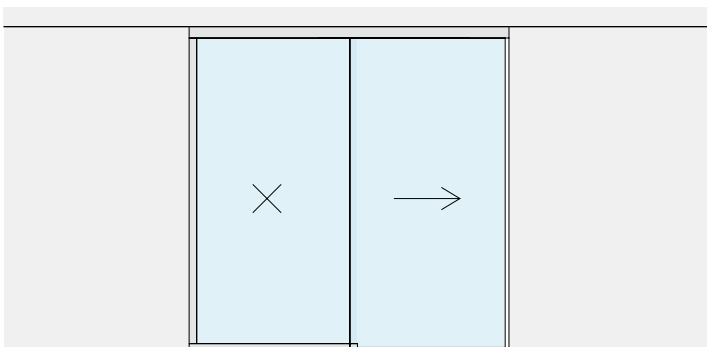
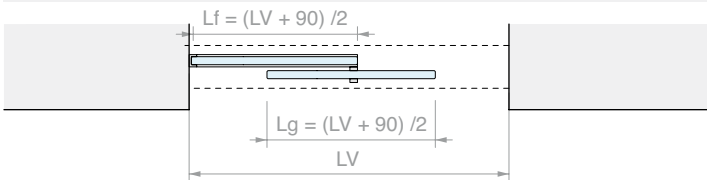
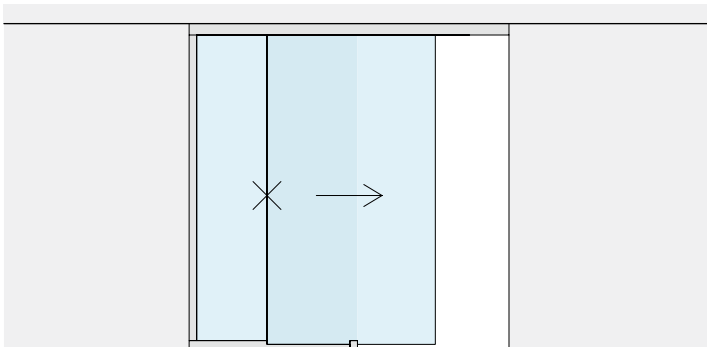
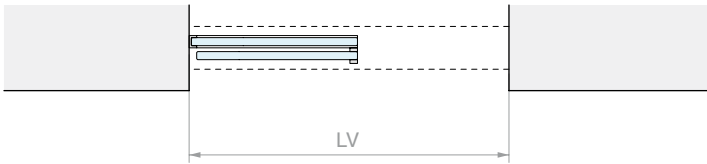
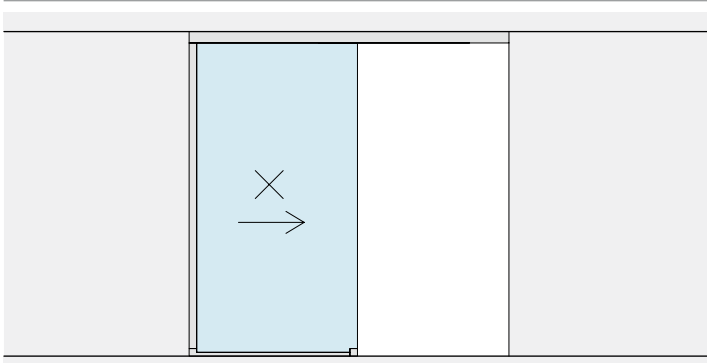
Art.	Description	Qty
LM5864S.300	Ceiling fixing track	1 Pc
LM0064C.300	Track cover	1 Pc
LMC13.200	Finishing profile	1 Pc
LMU20.300	U profile	2 Pcs
LMU20TP	Finishing cap	1 Pc
CERPOS155	Clamp	2 Pcs
LMPS-STP55	End stop without buffer	2 Pcs
GTUP4	Glass holder gasket	5 m
LMGF	Floor guide	1 Pc

Optional

LMDMP070Z	Dual action damper for 40-70 kg	1 Pc
LMDMP100Z	Dual action damper for 70-100 kg	1 Pc
LMPS-PSD55	Supporting clamp for damper	1 Pc
LMSIN-GA55	Softbreak damper activator	2 Pcs

Art.	LV max	Qty
LMP6511F.200	2000 mm	1 Pc

Art.	LV max	Qty
LMP6511F.300	3000 mm	1 Pc







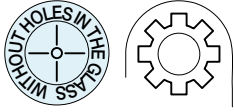
Light



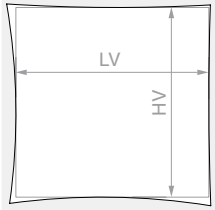
SLIDING DOOR KIT, CEILING FIXING SYNCHRONISED DOUBLE DOOR AND DOUBLE FIXED GLASS

Material: Aluminium

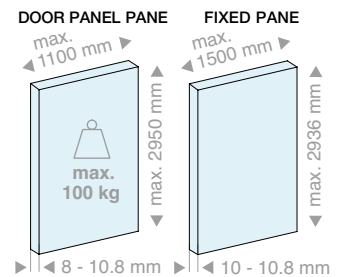
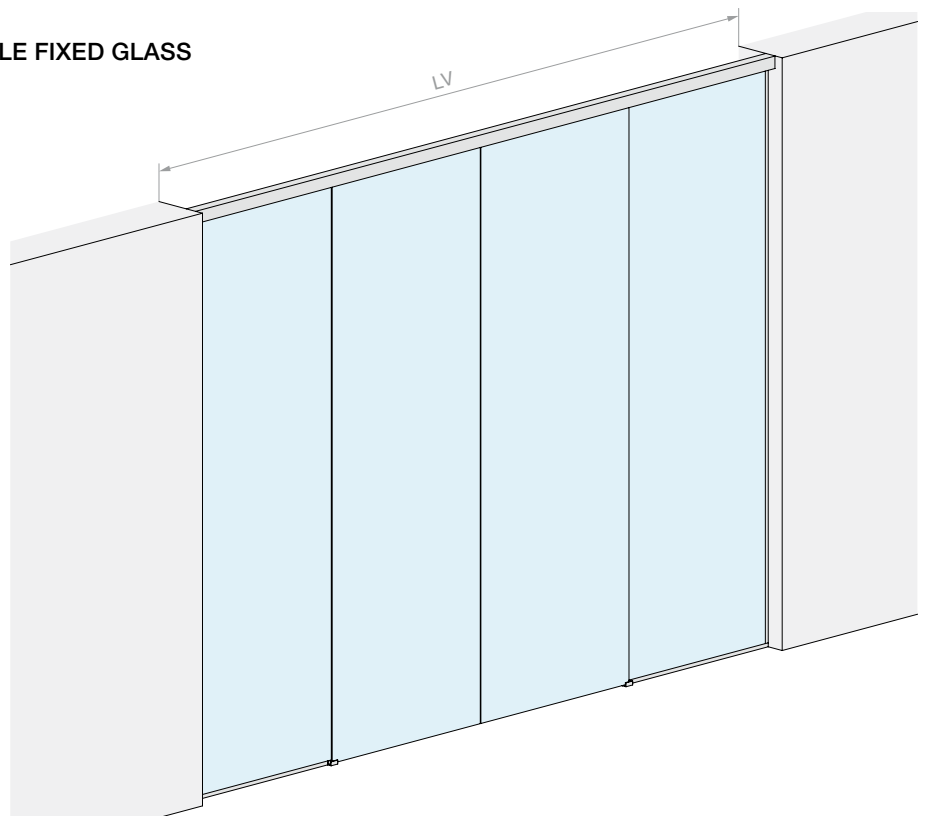
Finish: /6 /88 /97



DOOR OPENING SIZE



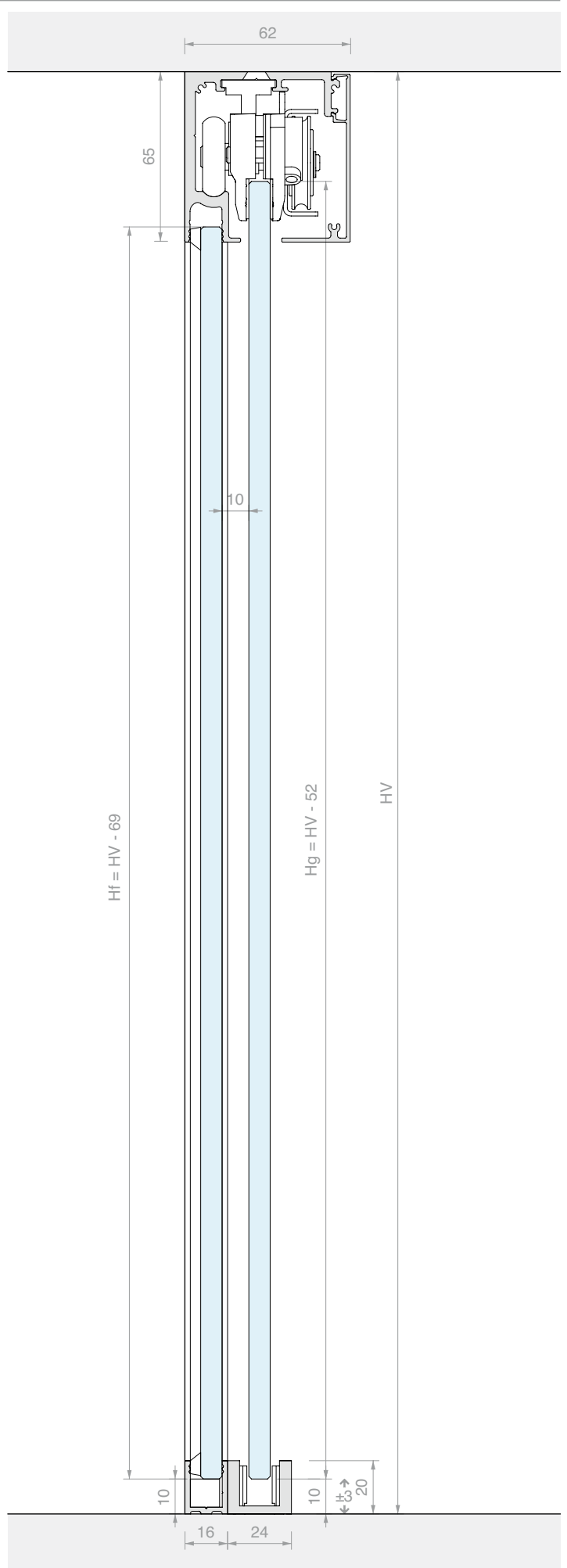
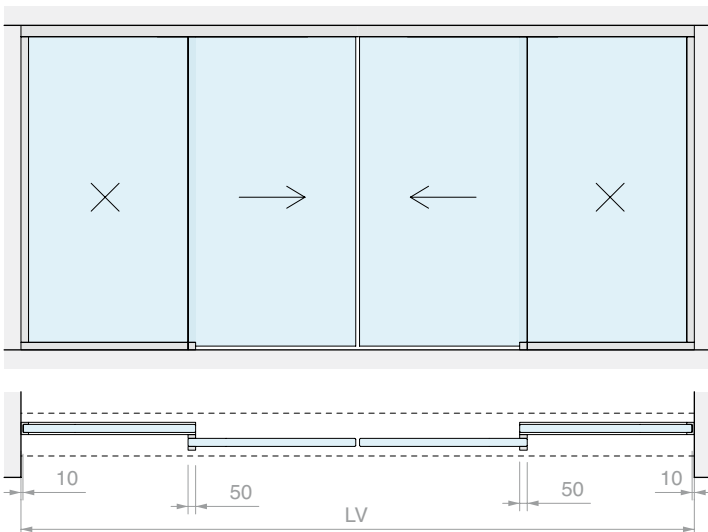
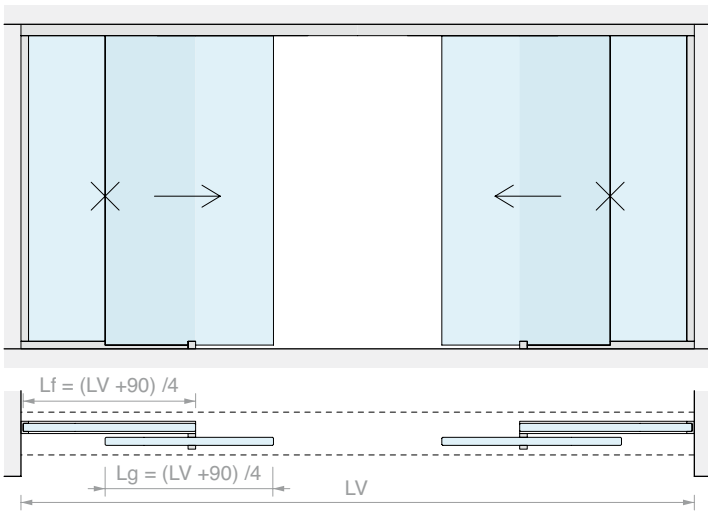
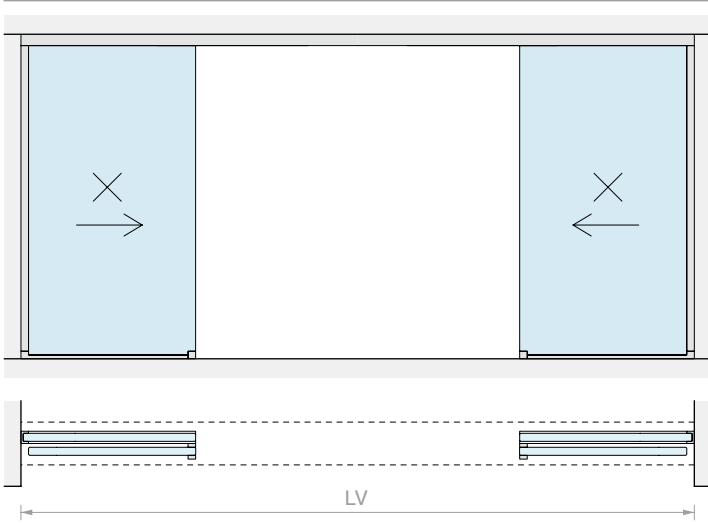
HV max: 3000 mm



Kit comprising:

Art.	Description	Qty
LM5864S.400	Ceiling fixing track	1 Pc
LM0064C.400	Track cover	1 Pc
LMC13.200	Finishing profile	1 Pc
LMU20.300	U profile	2 Pcs
LMU20.150	U profile	2 Pcs
LMU20TP	Finishing cap	2 Pcs
CERPOS155	Clamp	4 Pcs
LMPS-STP55	End stop without buffer	4 Pcs
GTUP2	Glass holder gasket	10 m
LMGF	Floor guide	2 Pcs
LMSIN-AC55	Synchronisation kit	1 Pc
Optional		
LMDMP100Z	Dual action damper for 30-50 kg	1 Pc
LMPS-PSD55	Supporting clamp for damper	1 Pc
LMSIN-GA55	Softbreak damper activator	2 Pcs

Art.	LV max	Qty
LMP6511CF.400	4000 mm	1 Pc









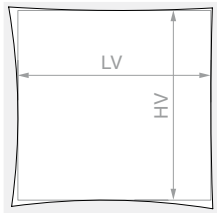
WALL FIXING SLIDING DOOR KIT SINGLE DOOR

Material: Aluminium

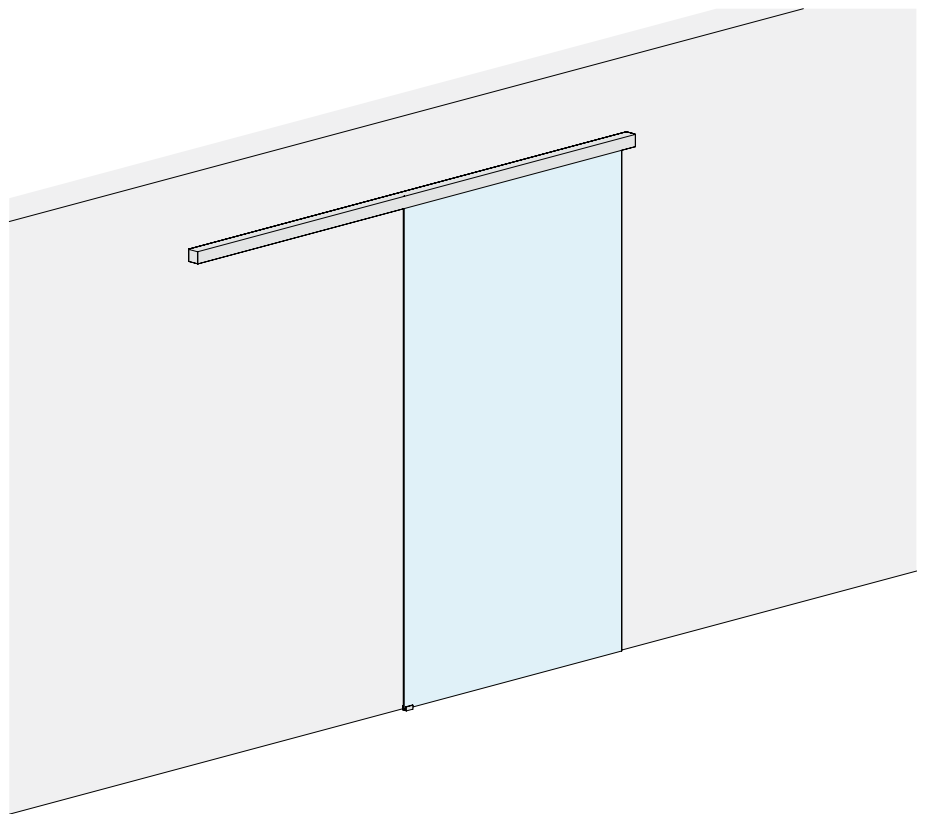
Finish: /6 /88 /97



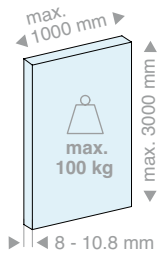
DOOR OPENING SIZE



HV max: 3000 mm



DOOR PANEL PANE



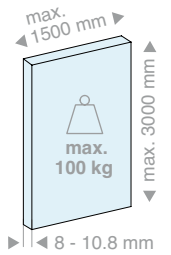
Kit comprising:

Art.	Description	Qty
LM5864P.200	Wall fixing track	1 Pc
LM0064C.200	Track cover	1 Pc
LMC13.200	Finishing profile	1 Pc
LM63061TP33	Finishing cap	2 Pcs
CERPOS155	Clamp	2 Pcs
LMPS-STP55	End stop without buffer	2 Pcs
LMGF	Floor guide	1 Pc

Optional

LMDMP070Z	Dual action damper for 40-70 kg	1 Pc
LMDMP100Z	Dual action damper for 70-100 kg	1 Pc
LMPS-PSD55	Supporting clamp for damper	1 Pc
LMSIN-GA55	Softbreak damper activator	2 Pcs

DOOR PANEL PANE



Kit comprising:

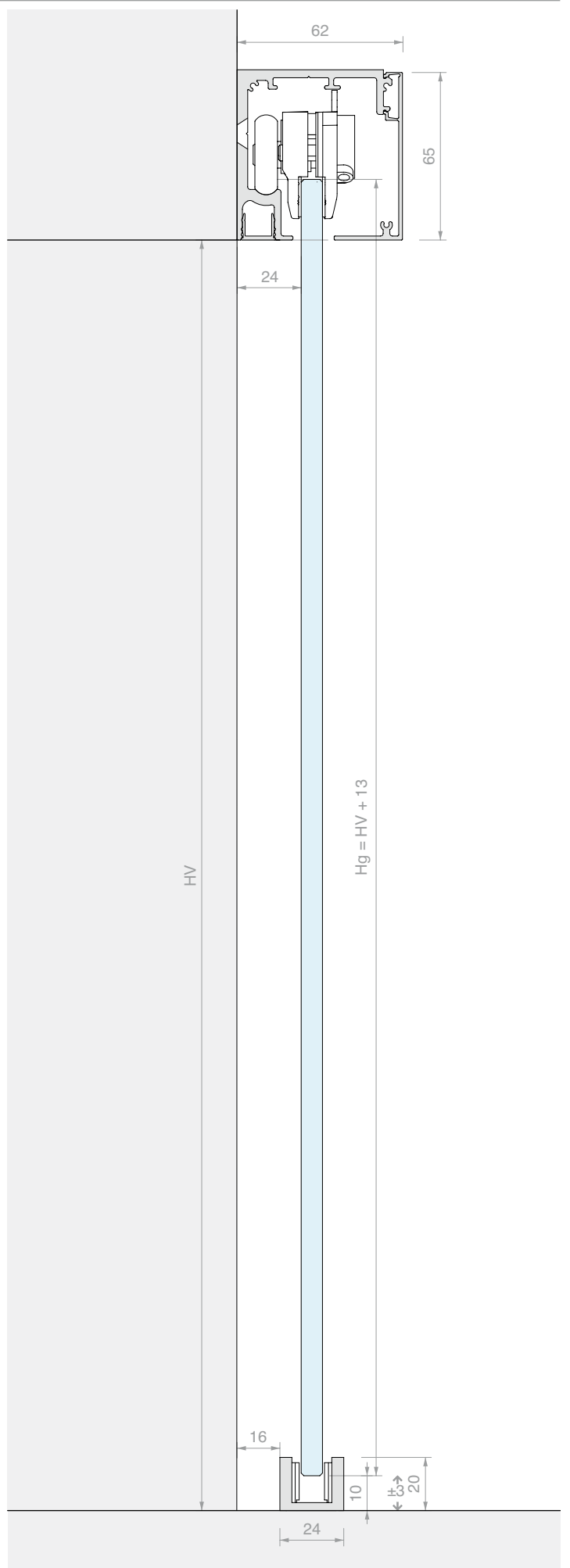
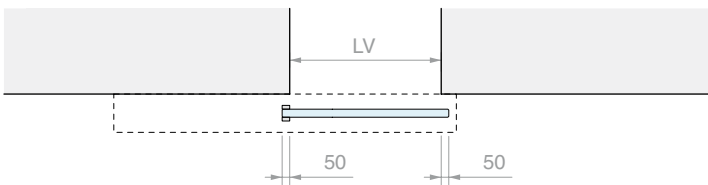
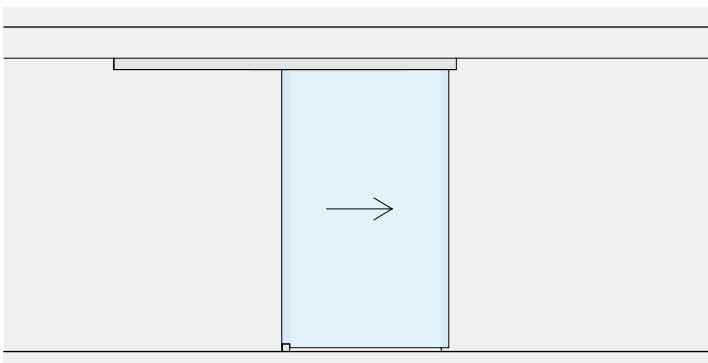
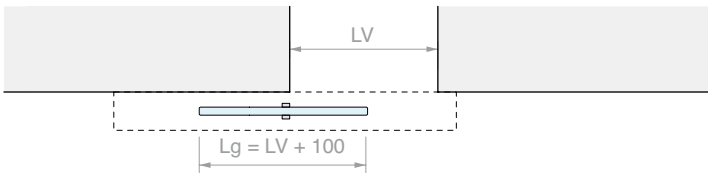
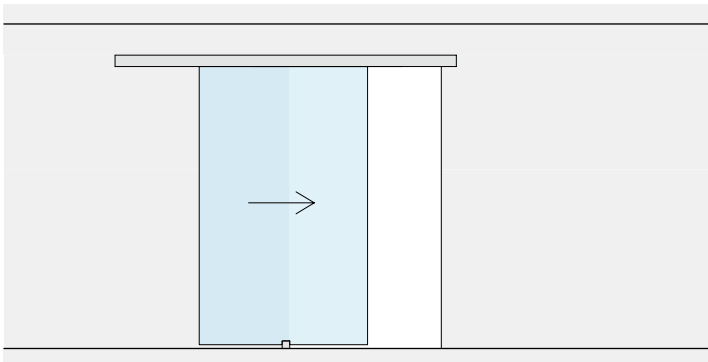
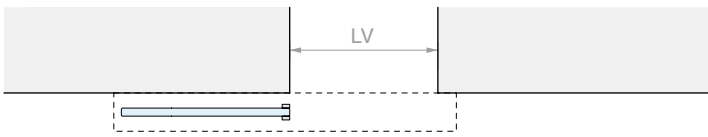
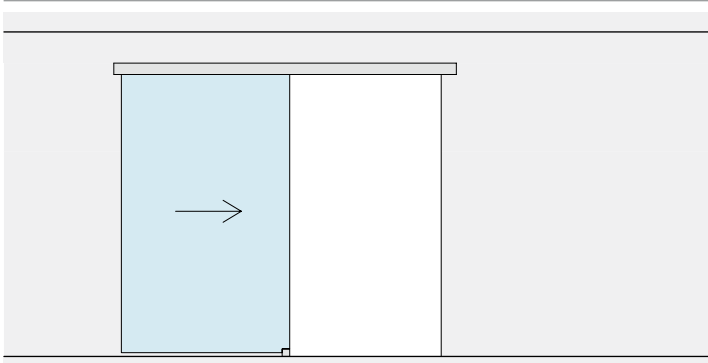
Art.	Description	Qty
LM5864P.300	Wall fixing track	1 Pc
LM0064C.300	Track cover	1 Pc
LMC13.300	Finishing profile	1 Pc
LM63061TP33	Finishing cap	2 Pcs
CERPOS155	Clamp	2 Pcs
LMPS-STP55	End stop without buffer	2 Pcs
LMGF	Floor guide	1 Pc

Optional

LMDMP070Z	Dual action damper for 40-70 kg	1 Pc
LMDMP100Z	Dual action damper for 70-100 kg	1 Pc
LMPS-PSD55	Supporting clamp for damper	1 Pc
LMSIN-GA55	Softbreak damper activator	2 Pcs

Art.	LV max	Qty
LMP6521.200	900 mm	1 Pc

Art.	LV max	Qty
LMP6521.300	1400 mm	1 Pc









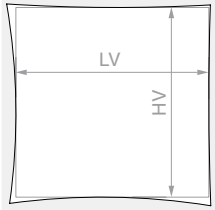
WALL FIXING SLIDING DOOR KIT DOUBLE DOOR PANEL, SYNCHRONISED

Material: Aluminium

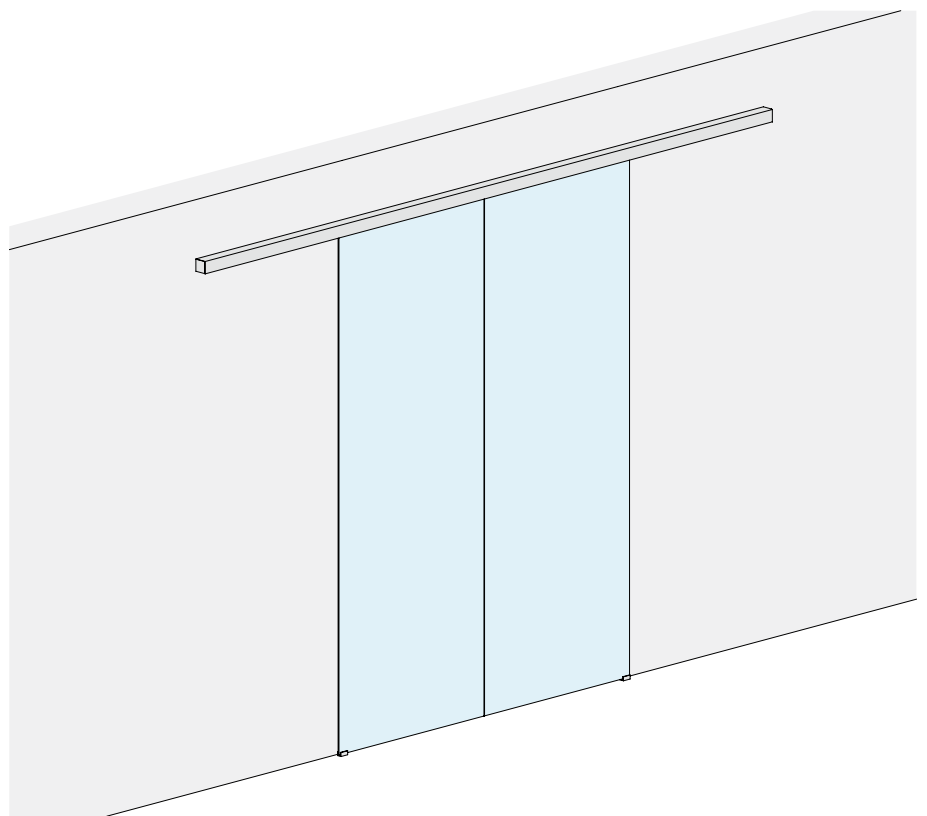
Finish: /6 /88 /97



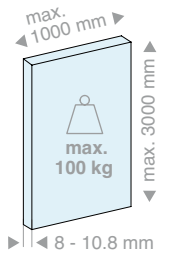
DOOR OPENING SIZE



HV max: 3000 mm



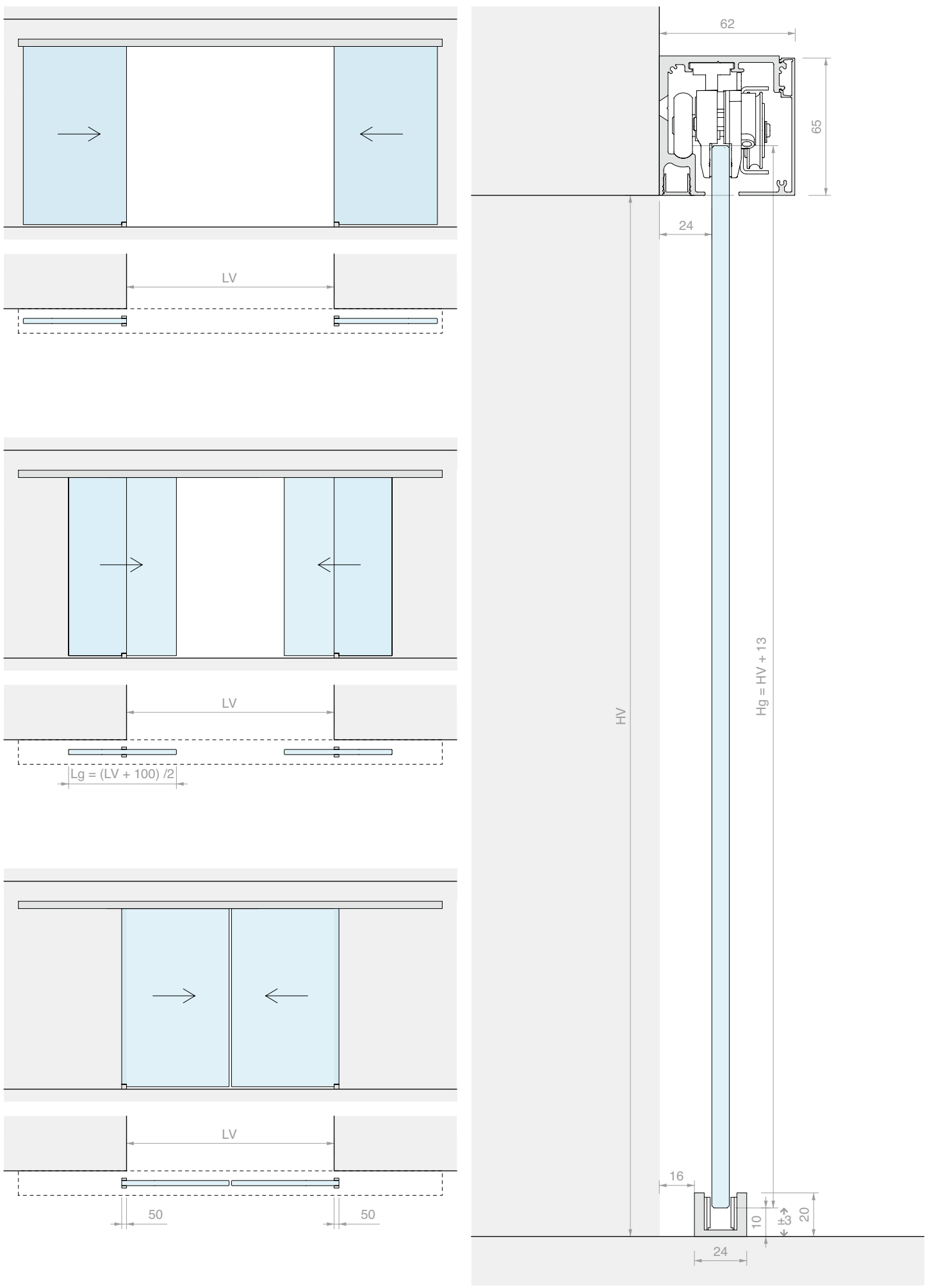
DOOR PANEL PANE



Kit comprising:

Art.	Description	Qty
LM5864P.400	Wall fixing track	1 Pc
LM0064C.400	Track cover	1 Pc
LMC13.200	Finishing profile	2 Pcs
LM63061TP33	Finishing cap	2 Pcs
CERPOS155	Clamp	4 Pcs
LMPS-STP55	End stop without buffer	4 Pcs
LMGF	Floor guide	2 Pcs
LMSIN-AC55	Synchronisation kit	1 Pc
Optional		
LMDMP100Z	Dual action damper for door panels between 30 and 50 kg	1 Pc
LMPS-PSD55	Supporting clamp for damper	1 Pc
LMSIN-GA55	Softbreak damper activator	2 Pcs

Art.	LV max	Qty
LMP6521C.400	1900 mm	1 Pc









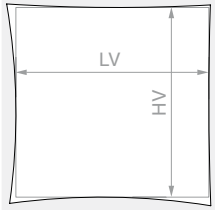
**WALL FIXING SLIDING DOOR KIT
SINGLE DOOR AND FIXED GLASS**

Material: Aluminium

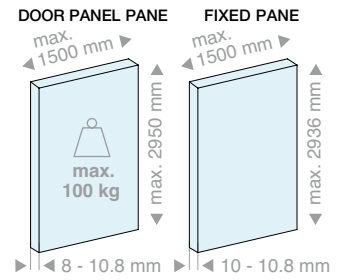
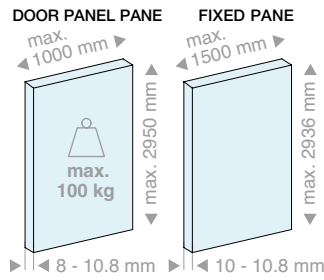
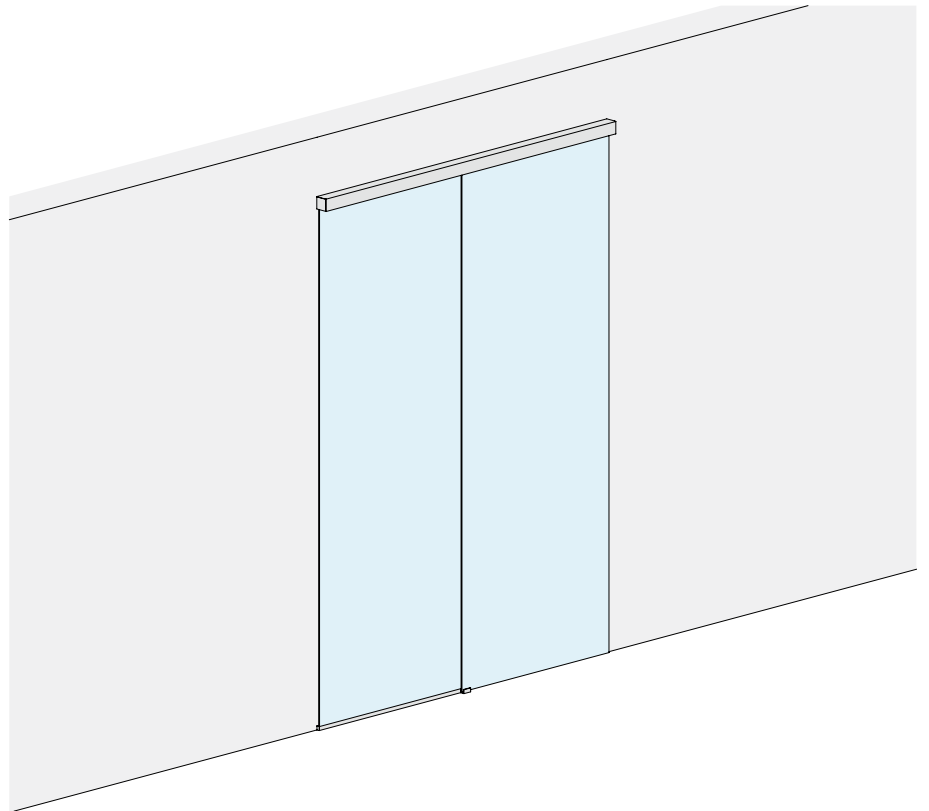
Finish: /6 /88 /97



DOOR OPENING SIZE



HV max: 3000 mm



Kit comprising:

Art.	Description	Qty
LM5864P.200	Wall fixing track	1 Pc
LM0064C.200	Track cover	1 Pc
LMC13.200	Finishing profile	1 Pc
LMU20.150	U profile	1 Pc
LM63061TP33	Finishing cap	2 Pcs
LMU20TP	Finishing cap	2 Pcs
CERPOS155	Clamp	2 Pcs
LMPS-STP55	End stop without buffer	2 Pcs
GTUP2	Glass holder gasket	5 m
LMGF	Floor guide	1 Pc

Optional

LMDMP070Z	Dual action damper for 40-70 kg	1 Pc
LMDMP100Z	Dual action damper for 70-100 kg	1 Pc
LMPS-PSD55	Supporting clamp for damper	1 Pc
LMSIN-GA55	Softbreak damper activator	2 Pcs

Kit comprising:

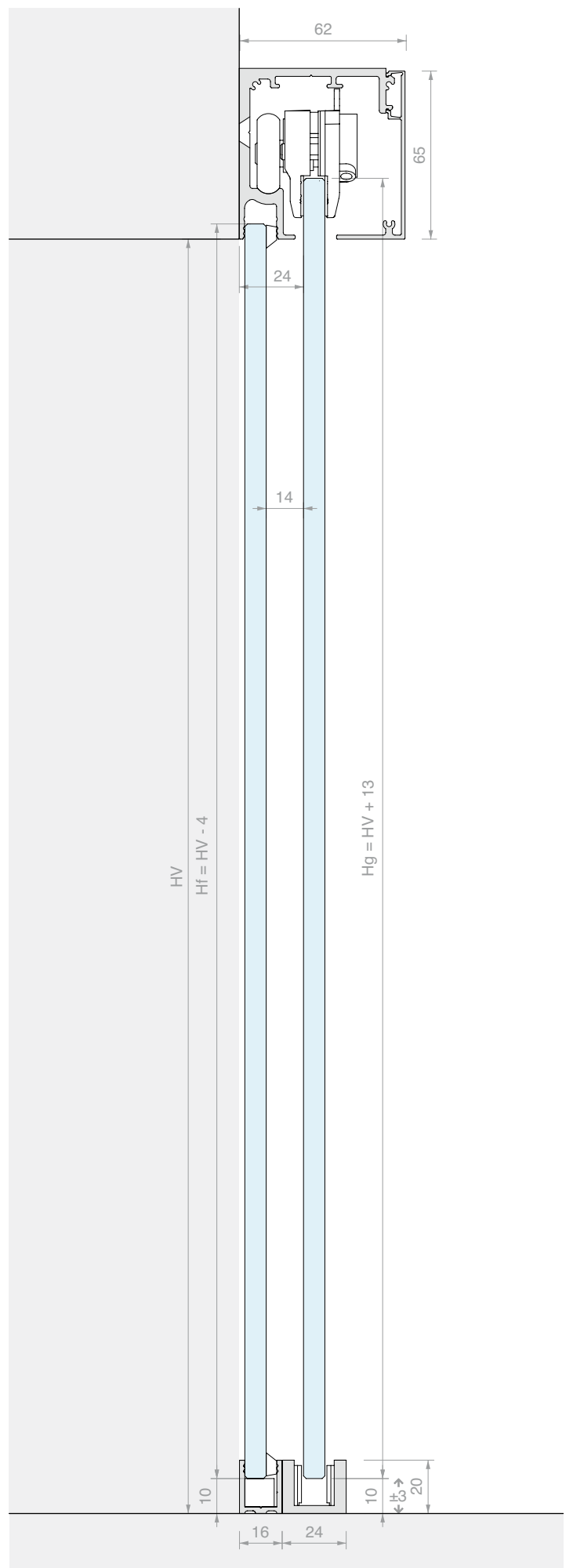
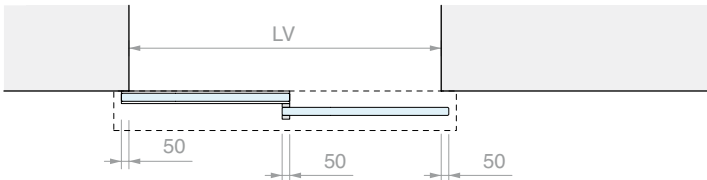
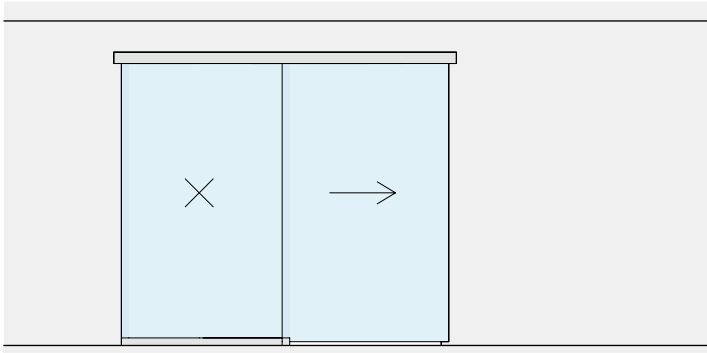
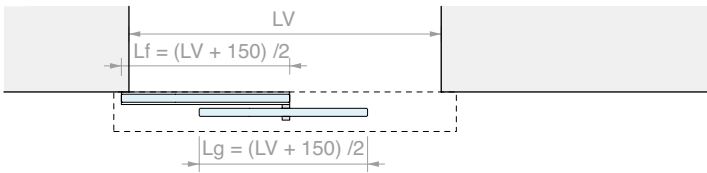
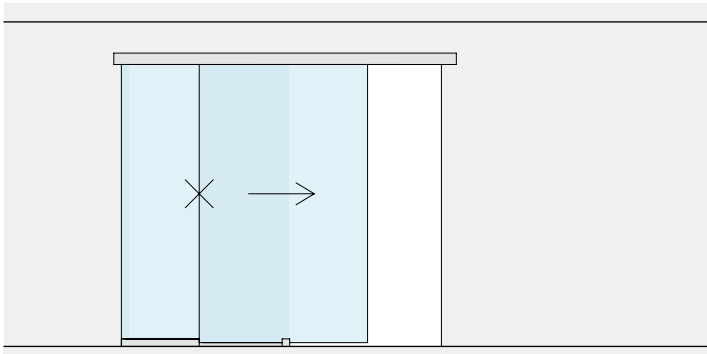
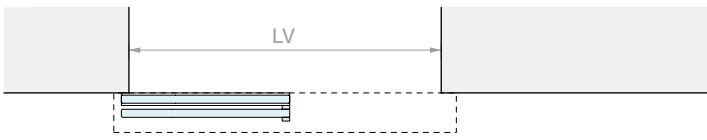
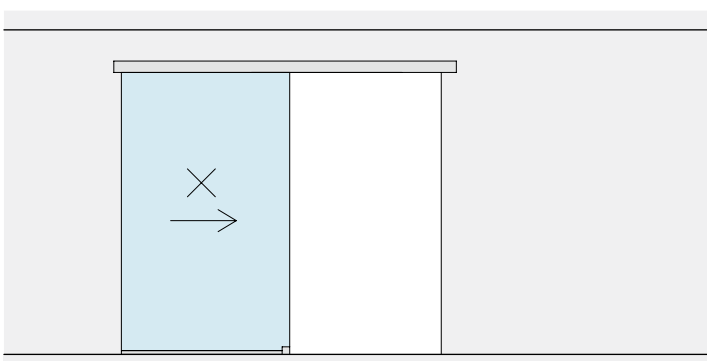
Art.	Description	Qty
LM5864P.300	Wall fixing track	1 Pc
LM0064C.300	Track cover	1 Pc
LMC13.200	Finishing profile	1 Pc
LMU20.300	U profile	1 Pc
LM63061TP33	Finishing cap	2 Pcs
LMU20TP	Finishing cap	2 Pcs
CERPOS155	Clamp	2 Pcs
LMPS-STP55	End stop without buffer	2 Pcs
GTUP4	Glass holder gasket	5 m
LMGF	Floor guide	1 Pc

Optional

LMDMP070Z	Dual action damper for 40-70 kg	1 Pc
LMDMP100Z	Dual action damper for 70-100 kg	1 Pc
LMPS-PSD55	Supporting clamp for damper	1 Pc
LMSIN-GA55	Softbreak damper activator	2 Pcs

Art.	LV max	Qty
LMP6521F.200	1880 mm	1 Pc

Art.	LV max	Qty
LMP6521F.300	2880 mm	1 Pc





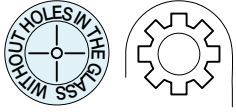




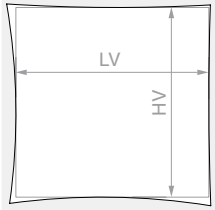
WALL FIXING SLIDING DOOR KIT SYNCHRONISED DOUBLE DOOR AND DOUBLE FIXED GLASS

Material: Aluminium

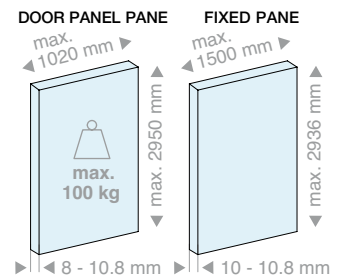
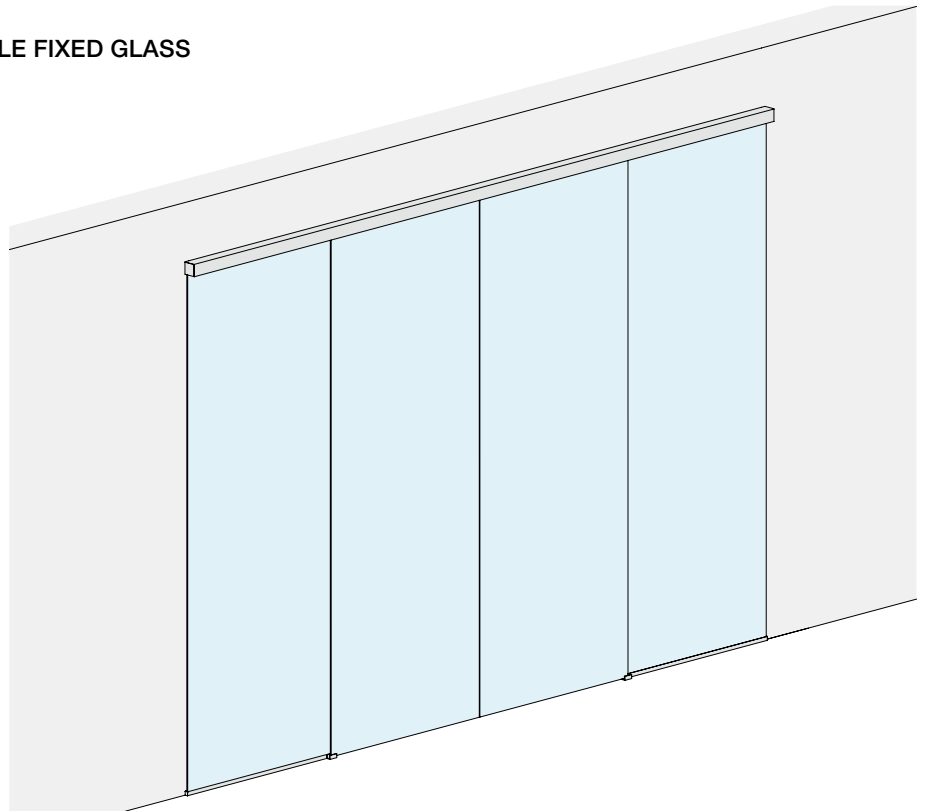
Finish: /6 /88 /97



DOOR OPENING SIZE



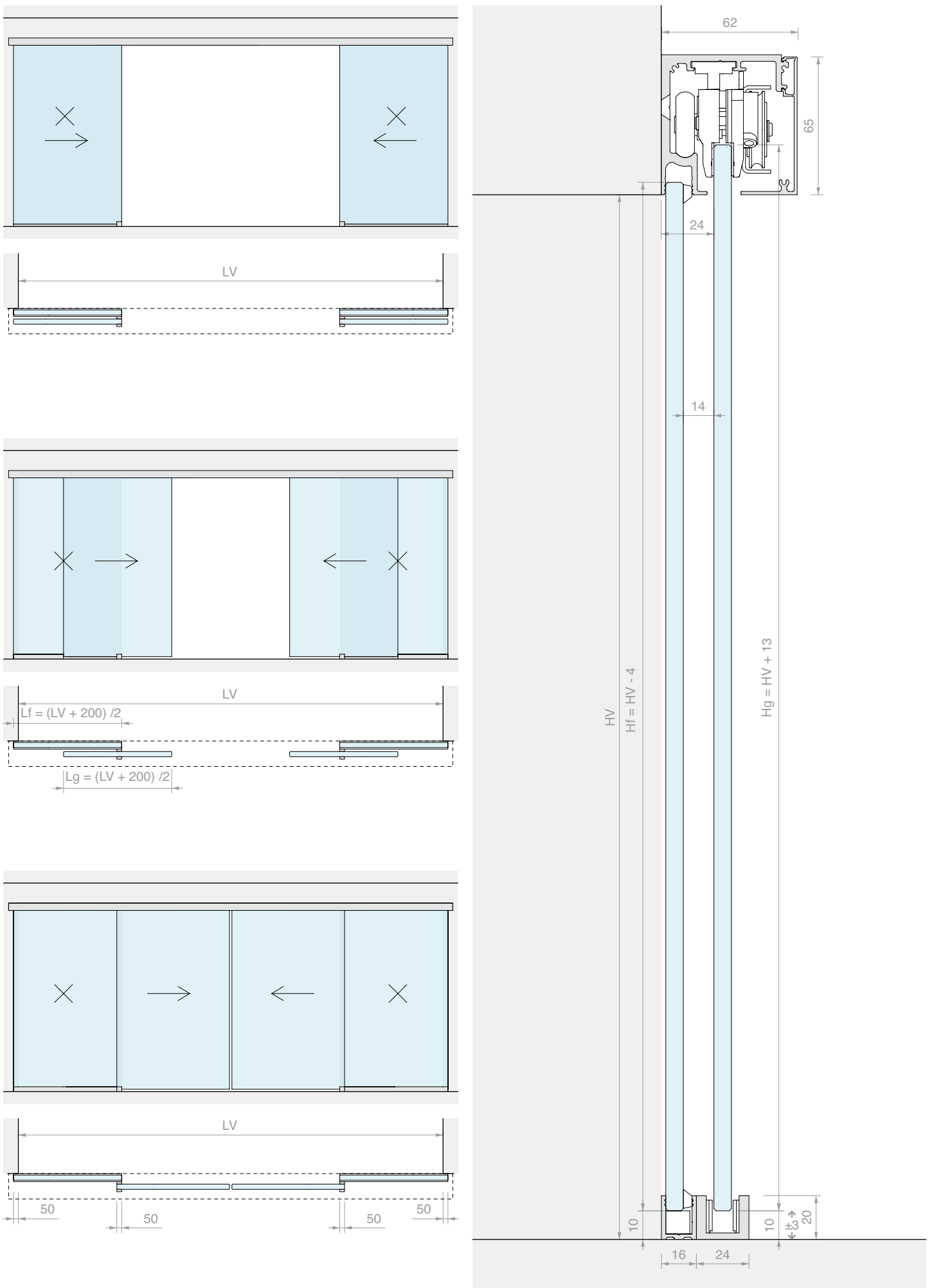
HV max: 3000 mm



Kit comprising:

Art.	Description	Qty
LM5864P.400	Wall fixing track	1 Pc
LM0064C.400	Track cover	1 Pc
LMC13.200	Finishing profile	1 Pc
LMU20.300	U profile	1 Pc
LM63061TP33	Finishing cap	2 Pcs
LMU20TP	Finishing cap	4 Pcs
CERPOS155	Clamp	4 Pcs
LMPS-STP55	End stop without buffer	4 Pcs
GTUP2	Glass holder gasket	10 m
LMGF	Floor guide	2 Pcs
LMSIN-AC55	Synchronisation kit	1 Pc
Optional		
LMDMP100Z	Dual action damper for door panels between 30 and 50 kg	1 Pc
LMPS-PSD55	Supporting clamp for damper	1 Pc
LMSIN-GA55	Softbreak damper activator	2 Pcs

Art.	LV max	Qty
LMP6521CF.400	3880 mm	1 Pc

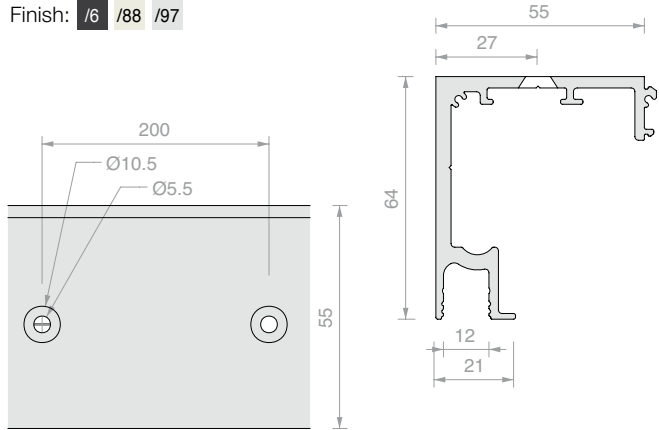




CEILING FIXING TRACK

Material: Aluminium

Finish: /6 /88 /97



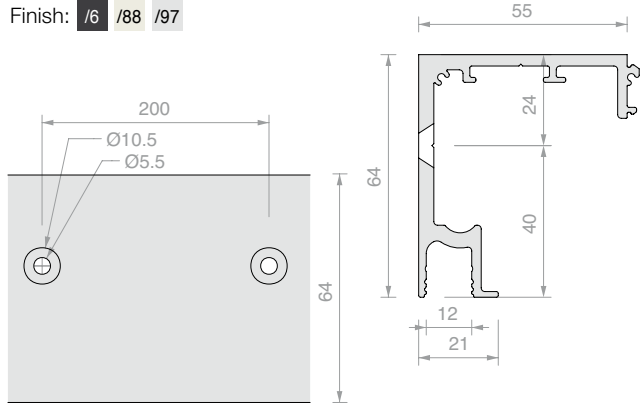
Art.	Length	Qty
LM5864S.200	1998 mm	1 Pc
LM5864S.300	2998 mm	1 Pc
LM5864S.400	3998 mm	1 Pc
LM5864S.600	6000 mm	1 Pc



WALL FIXING TRACK

Material: Aluminium

Finish: /6 /88 /97



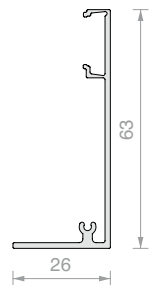
Art.	Length	Qty
LM5864P.200	1998 mm	1 Pc
LM5864P.300	2998 mm	1 Pc
LM5864P.400	3998 mm	1 Pc
LM5864P.600	6000 mm	1 Pc



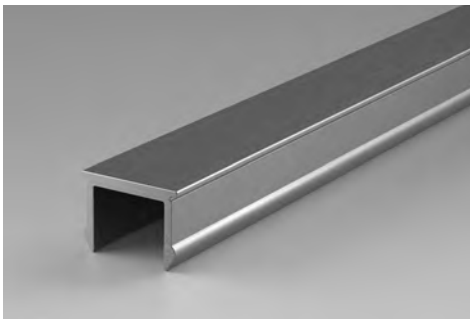
TRACK COVER

Material: Aluminium

Finish: /6 /88 /97



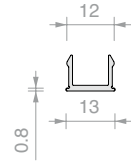
Art.	Length	Qty
LM0064C.200	1998 mm	1 Pc
LM0064C.300	2998 mm	1 Pc
LM0064C.400	3998 mm	1 Pc
LM0064C.600	6000 mm	1 Pc



FINISHING PROFILE

Material: Aluminium
Finish: **/6** /88 /97

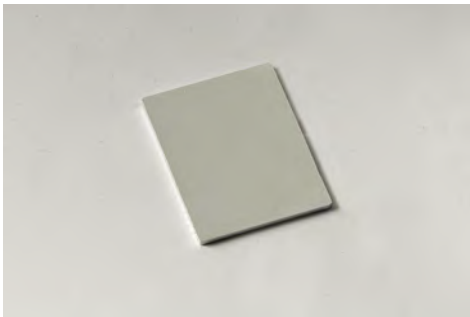
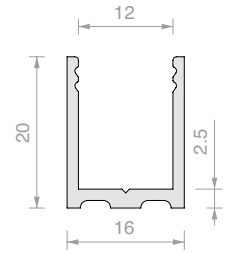
Art.	Length	Qty
LMC13.100	996 mm	1 Pc
LMC13.150	1498 mm	1 Pc
LMC13.200	1998 mm	1 Pc
LMC13.300	3000 mm	1 Pc



U PROFILE

Material: Aluminium
Finish: **/6** /88 /91 /97

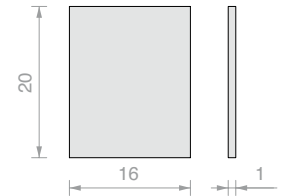
Art.	Length	Qty
LMU20.100	996 mm	1 Pc
LMU20.150	1498 mm	1 Pc
LMU20.300	3000 mm	1 Pc



FINISHING CAP

Material: Aluminium
Finish: /88 /91 /97 **/R2**

Art.	Qty
LMU20TP	1 Pc



GLASS HOLDER SEAL

Material: PVC

Art.	Thickness	Colour	Qty
GTUP2	2 mm	Transparent	1 m
GTUP3	3 mm	Transparent	1 m
GTUP4	4 mm	Transparent	1 m
GTUP5	5 mm	Transparent	1 m
GTUP6	6 mm	Transparent	1 m

Art.	Thickness	Colour	Qty
GTUP2G	2 mm	Embossed	1 m
GTUP3G	3 mm	Embossed	1 m
GTUP4G	4 mm	Embossed	1 m
GTUP5G	5 mm	Embossed	1 m
GTUP6G	6 mm	Embossed	1 m

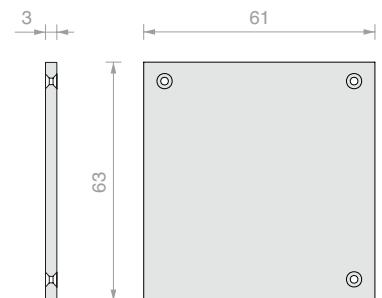
Art.	Thickness	Colour	Qty
GTUP2N	2 mm	Black	1 m
GTUP3N	3 mm	Black	1 m
GTUP4N	4 mm	Black	1 m
GTUP5N	5 mm	Black	1 m
GTUP6N	6 mm	Black	1 m



FINISHING CAP 3 SCREWS

Material: Aluminium
For RIGHT and LEFT installation.
Finish: **/6** /88 /97

Art.	Qty
LM63061TP33	1 Pc





ADJUSTABLE CLAMP WITH WHEEL

Material: Zamak and steel

Art.	For glass thickness	Qty
CERPOS155	From 8 to 10.8 mm	1 Pc



END STOP WITHOUT BUFFER

Material: Zamak

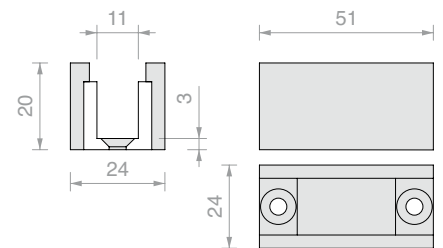
Art.	Qty
LMPS-STP55	1 Pc



FLOOR GUIDE

Material: Aluminium

Finish: /88 /97 /R2



Art.	For glass thickness	Qty
LMGF	From 8 to 10.8 mm	1 Pc

**DUAL ACTION SOFTBREAK DAMPER**

Material: POM

Provides damping when opening and closing

Art.	Load	Qty
LMDMP070Z	From 40 to 70 kg	1 Pc
LMDMP100Z	From 71 to 100 kg	1 Pc

**SUPPORTING CLAMP FOR DAMPER**

Material: Zamak

Art.	Qty
LMPS-PSD55	1 Pc

**ACTIVATOR FOR DAMPER**

Material: Zamak

Art.	Qty
LMSIN-GA55	1 Pc

**SYNCHRONISATION KIT**

Art.	Qty
LMSIN-AC55	1 Pc


Forme

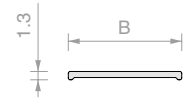
Smaller profiles for finishing glass door panels.
Applied to the glass with a 0.5 mm thick two-sided tape,
silicone or UV bonding.
Select the right guide and accessories for holding the glass
and your edging profile.



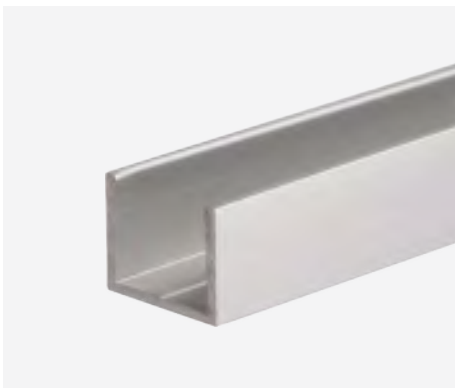


FLAT PROFILE FORME SERIES


Material: Aluminium
 Finish:    

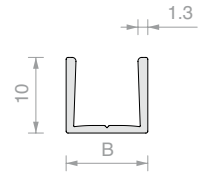


Art.	B	Length	Qty
FOP10.30	10 mm	3000 mm	1 Pc
FOP15.30	15 mm	3000 mm	1 Pc
FOP20.30	20 mm	3000 mm	1 Pc



U PROFILE, FORME SERIES

Material: Aluminium
 Finish:    



Art.	B	Length	For glass	Qty
FOU1011.30	10.8 mm	3000 mm	8 mm	1 Pc
FOU1013.30	12.8 mm	3000 mm	10 mm	1 Pc





TESA® ACX^{plus} DOUBLE-SIDED TAPE

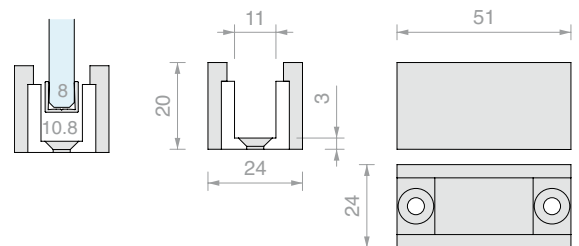
Transparent double-sided tape for fixing glass, steel and aluminium.
 The paper liner makes manual application of the tape easier.

Art.	Dimensions	Thickness	Qty
TS250065	6 mm x 25 m	0.5 mm	1 Pc
TS250125	12 mm x 25 m	0.5 mm	1 Pc
TS250155	15 mm x 25 m	0.5 mm	1 Pc



FLOOR GUIDE

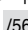
Material: Aluminium
 Finish:   

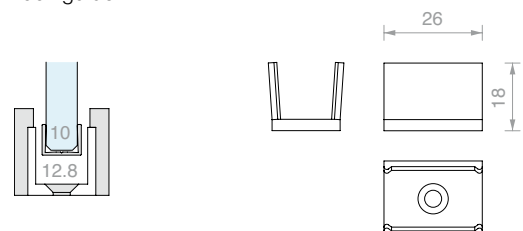


Art.	For profile	Qty
LMGF	FOU1011	1 Pc



ADAPTOR FOR GUIDE LMGF

Accessory for inserting into the LMGF floor guide
 Material: plastic
 Finish: 



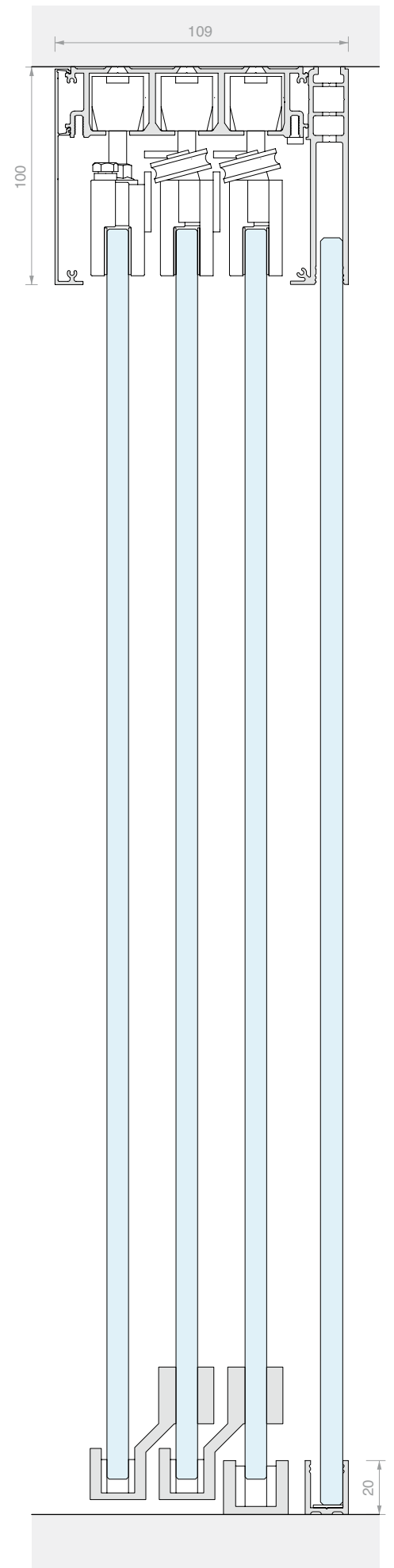
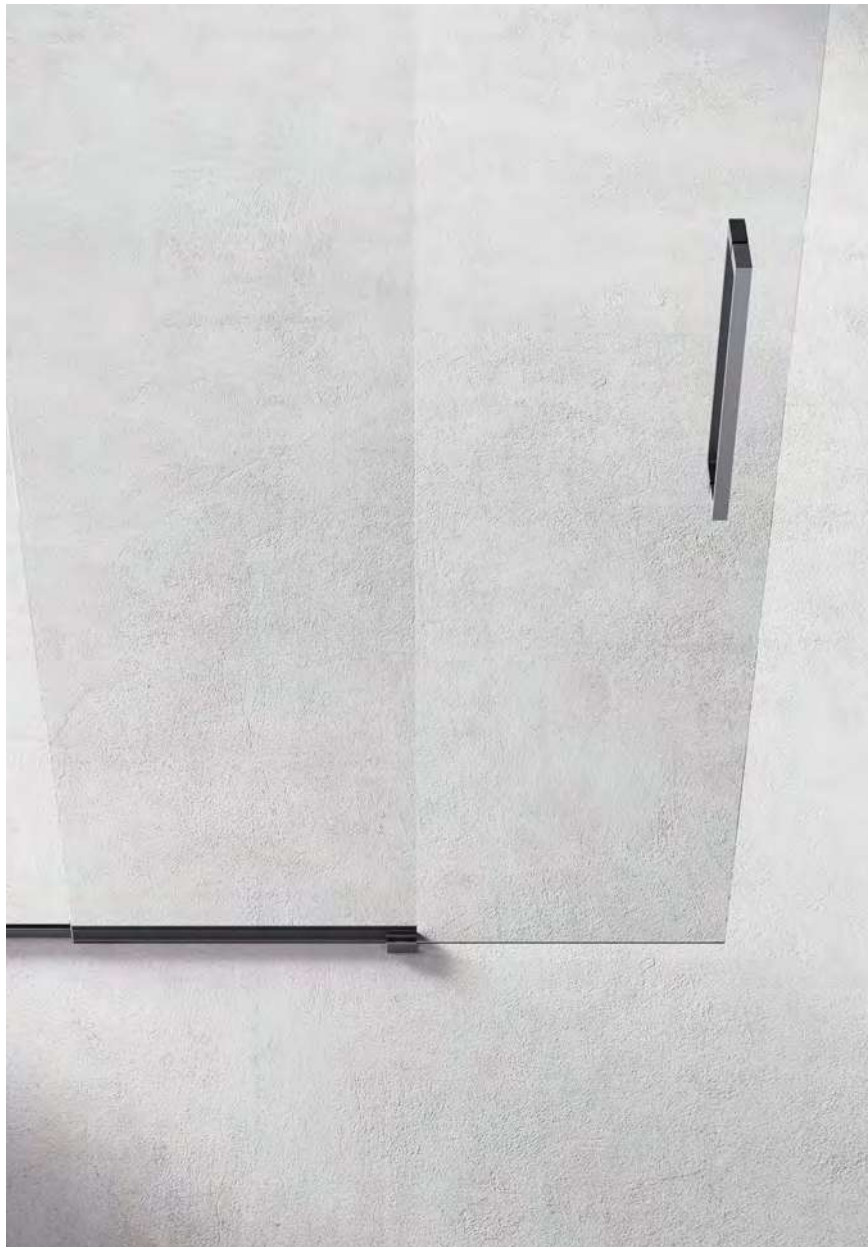
Art.	For profile	Qty
LMGF13-POM	FOU1013	1 Pc

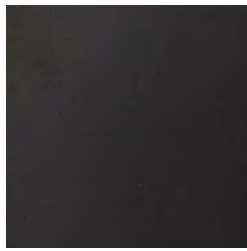
LM VETRO

Design

LM VETRO a new look for one of LOGLI's most popular classics. Design, functionality and a fresh appearance with every installation option.

Available with versions without holes in the glass or with notch, for panels with dampers and synchronisation.





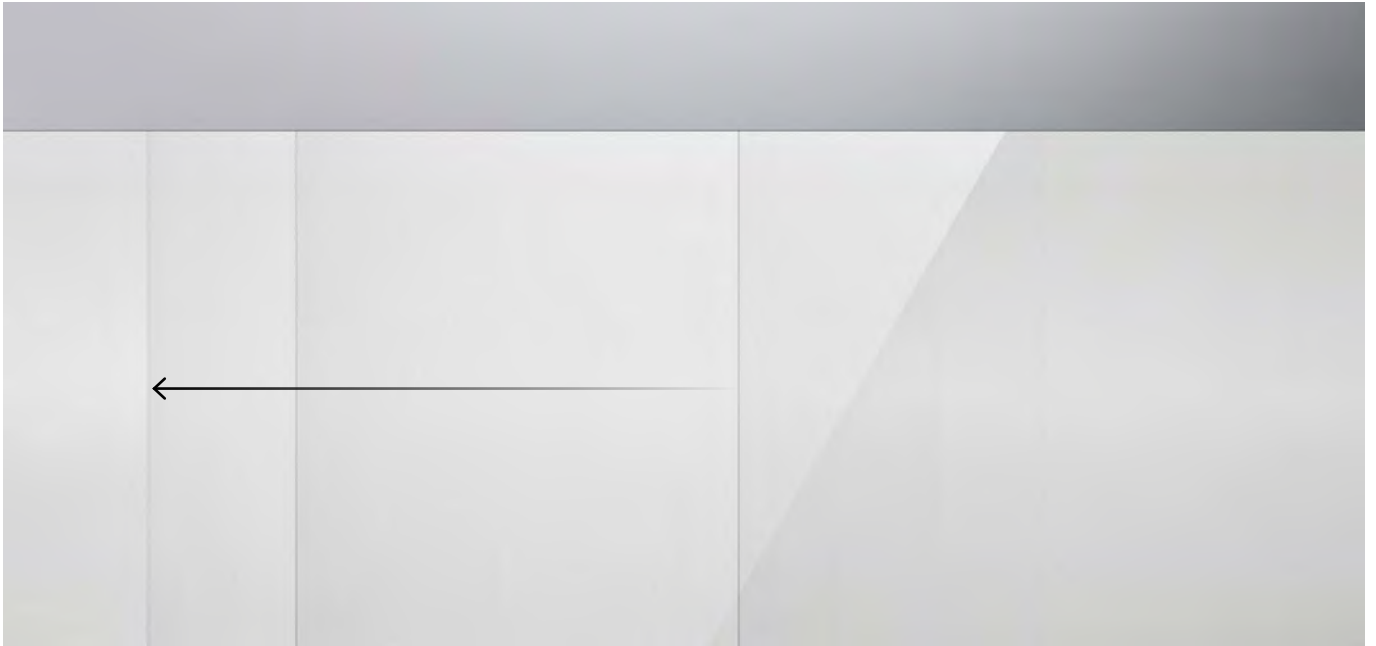
/6
Matt black



/88
Brushed steel effect
aluminium

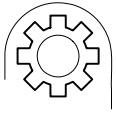


/97
Matt aluminium



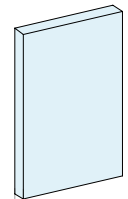
LM VETRO

Technical properties



DOOR PANEL PANE

FIXED PANE

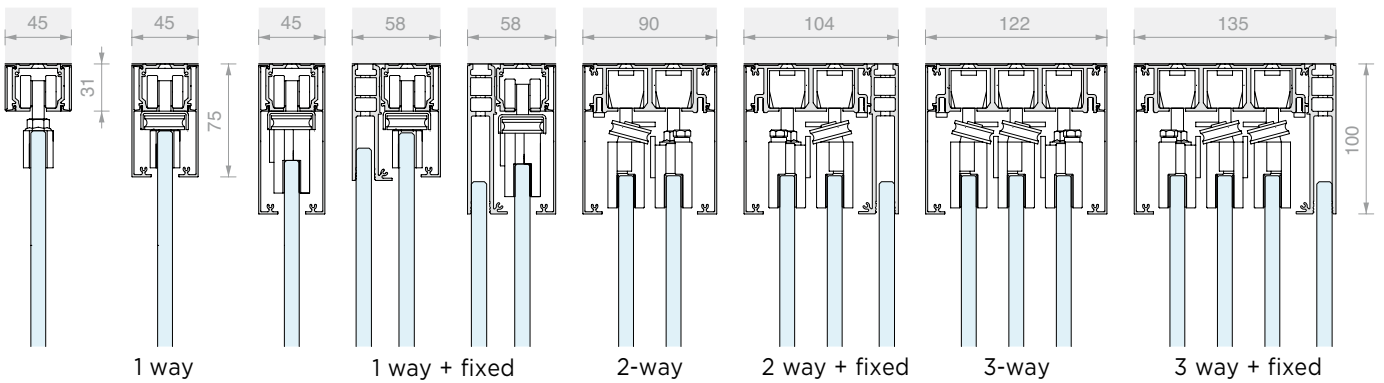


▶ ◀ 8 - 10.8 mm

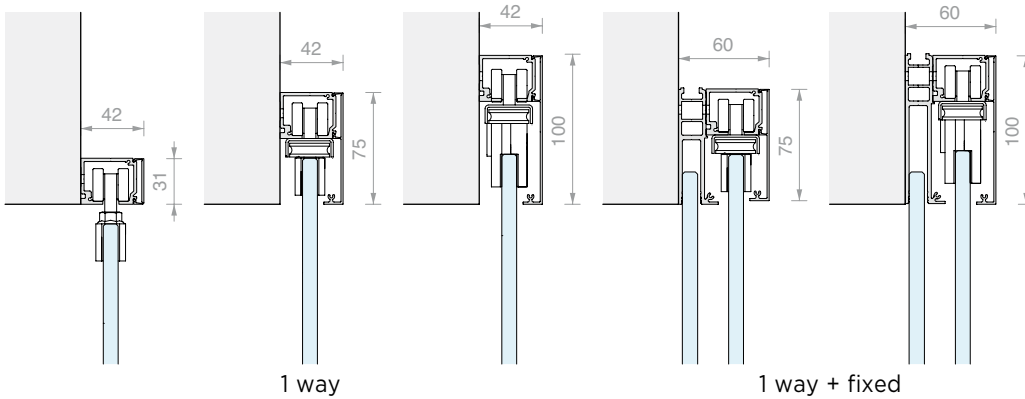
▶ ◀ 8 - 10.8 mm

2 types of installation

Ceiling

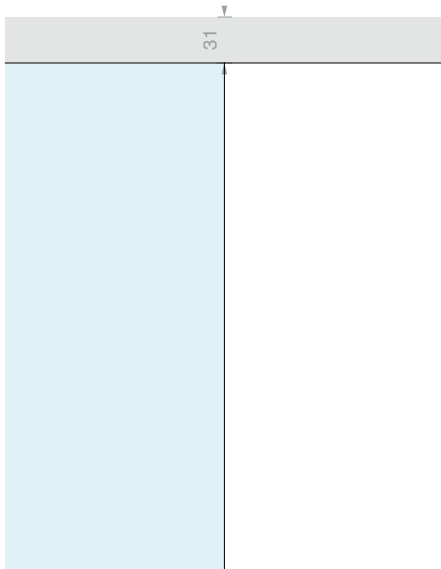


Wall

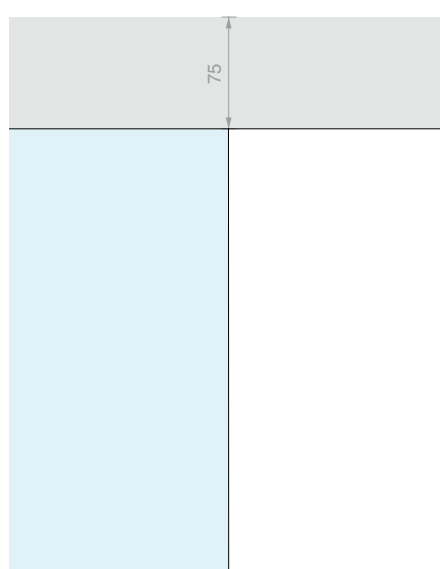


3 types of cover

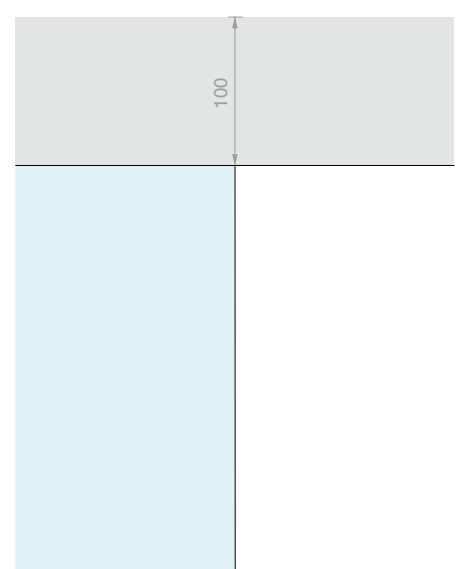
h = 31 mm

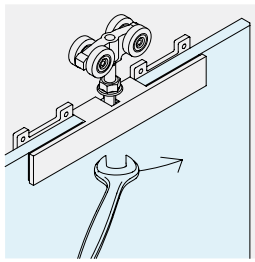


h = 75 mm

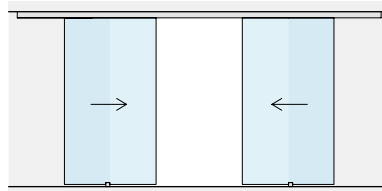
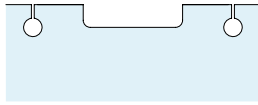


h = 100 mm

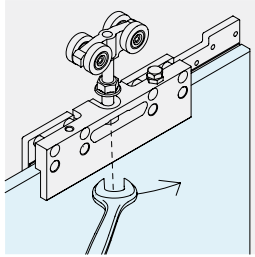
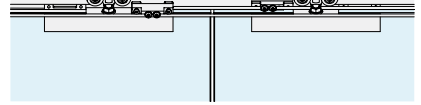




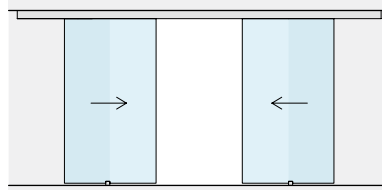
CERPOS SERIES 170
Clamp with machining of the glass, for use with covers $h = 31 \text{ mm}$ and $h = 75 \text{ mm}$.



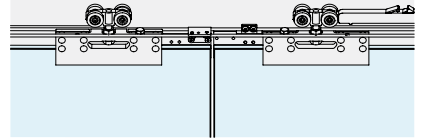
SIMULTANEOUS



CERPOS SERIES 500
Clamp without machining of the glass, for use with cover $h = 100 \text{ mm}$.

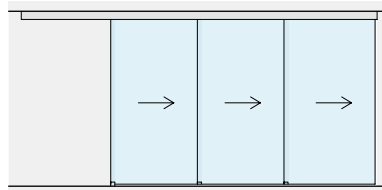


SIMULTANEOUS

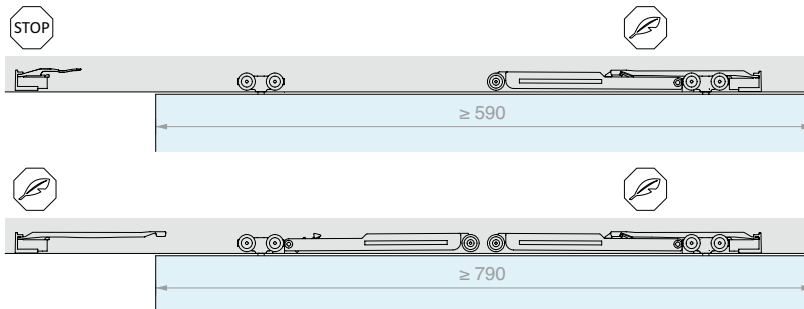
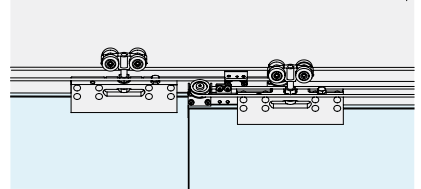


DOOR PANEL ADJUSTMENT

The height of each roller can be adjusted to adjust the position of the panel by $\pm 3 \text{ mm}$.



DRAGGING



SYNCHRONISM

The following accessories are available for synchronisation:

SIMULTANEOUS

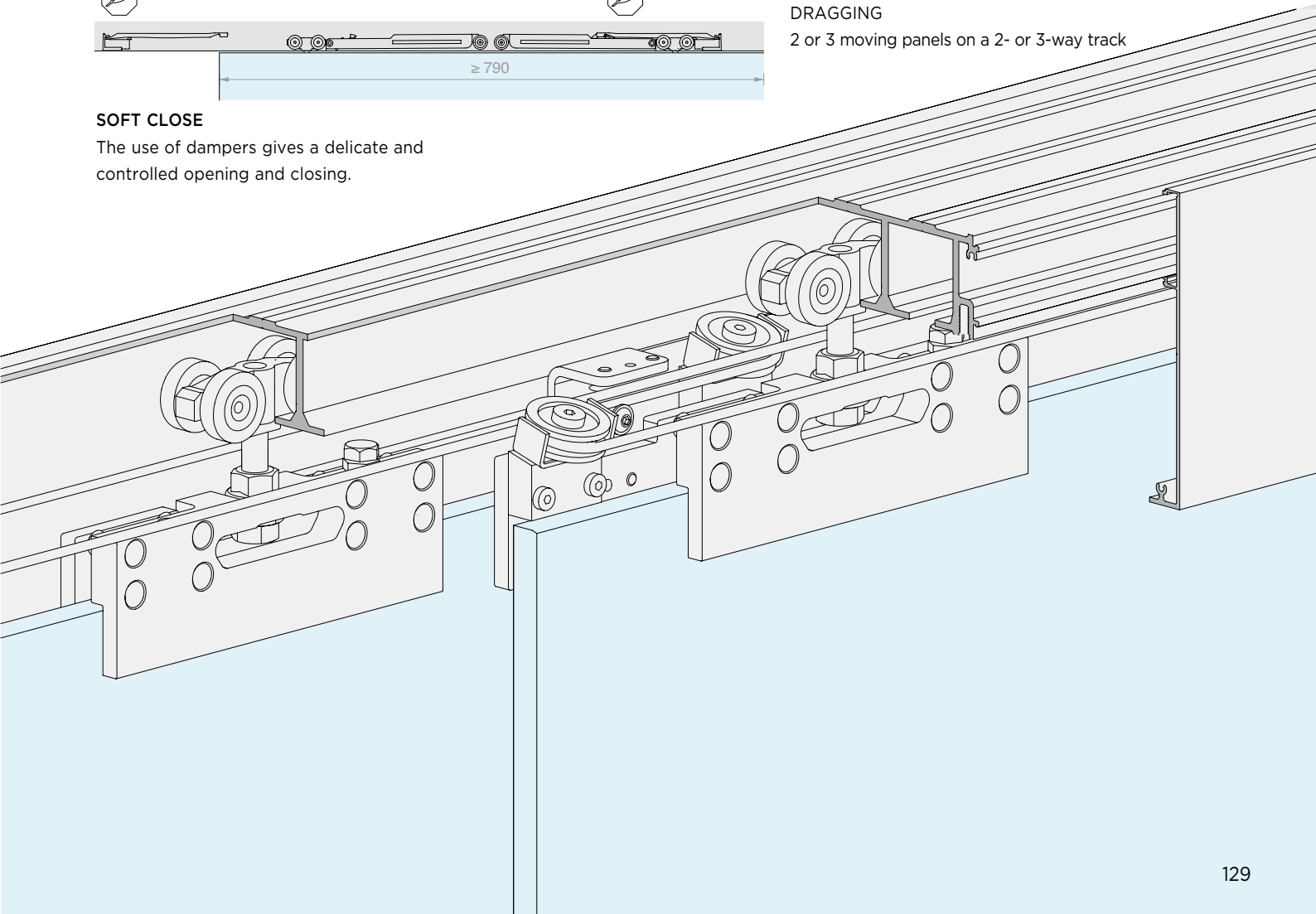
2 moving door panels installed on the same track

DRAGGING

2 or 3 moving panels on a 2- or 3-way track

SOFT CLOSE

The use of dampers gives a delicate and controlled opening and closing.

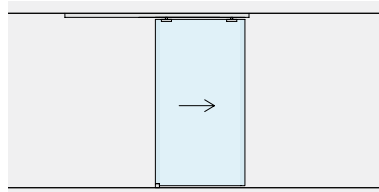




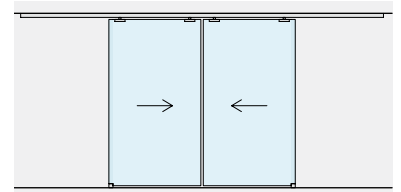
LM VETRO *Kit*

CEILING FIXING

1-WAY

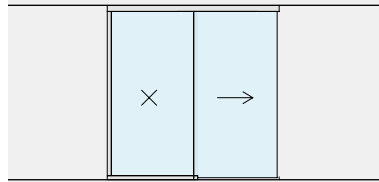


Page 134

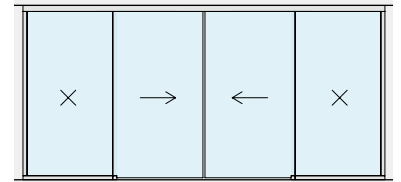


Page 142

1-WAY + FIXED

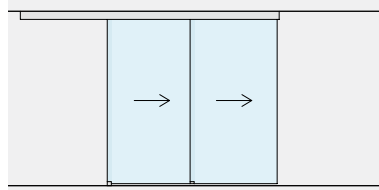


Page 150



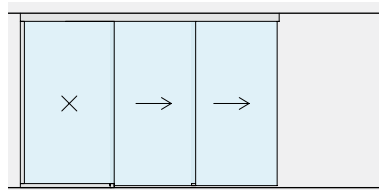
Page 156

2-WAY



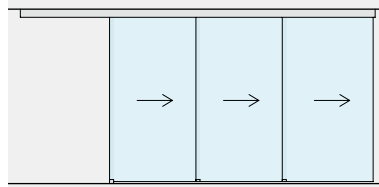
Page 162

2-WAY + FIXED



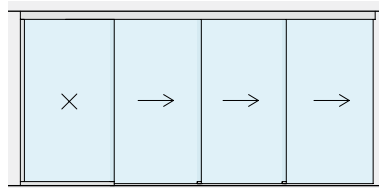
Page 166

3-WAY



Page 170

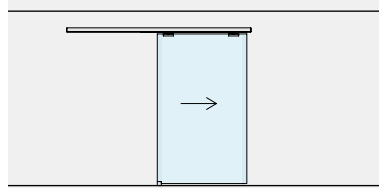
3-WAY + FIXED



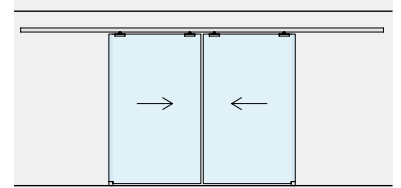
Page 174

WALL FIXING

1-WAY

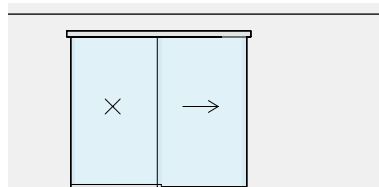


Page 178

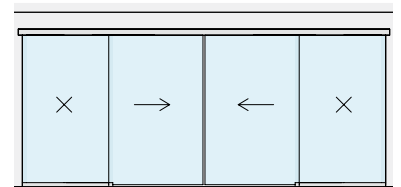


Page 186

1-WAY + FIXED



Page 194



Page 200





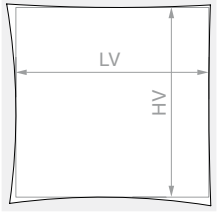


**SLIDING DOOR KIT, CEILING FIXING
SINGLE DOOR WITH VISIBLE CLAMPS**

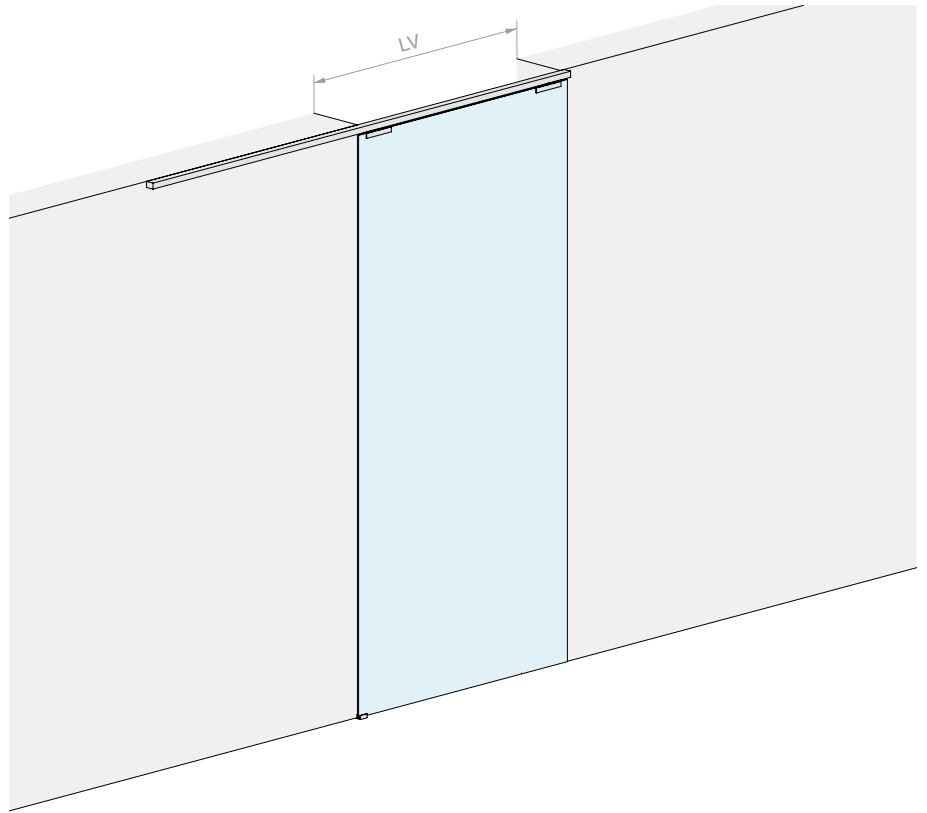
Material: Aluminium

Finish: /6 /88 /97

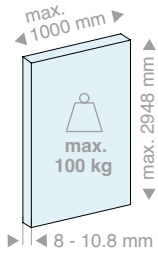
DOOR OPENING SIZE



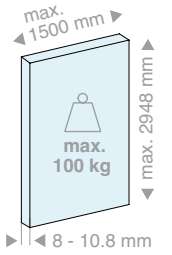
HV max: 3000 mm



DOOR PANEL PANE



DOOR PANEL PANE



Kit comprising:

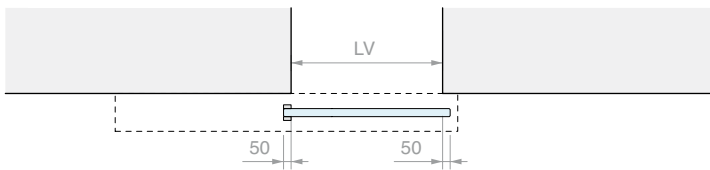
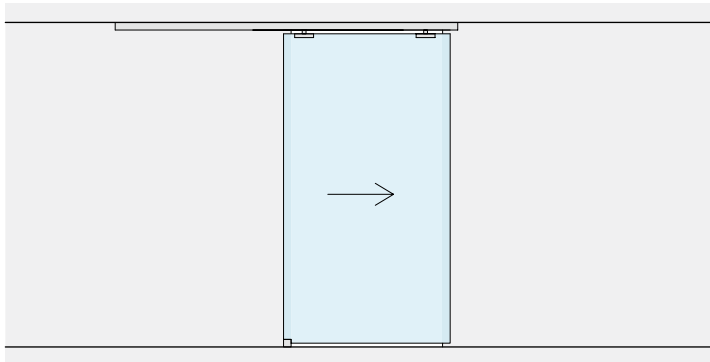
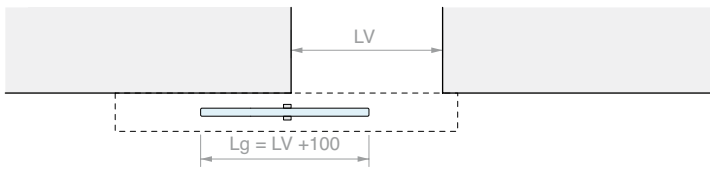
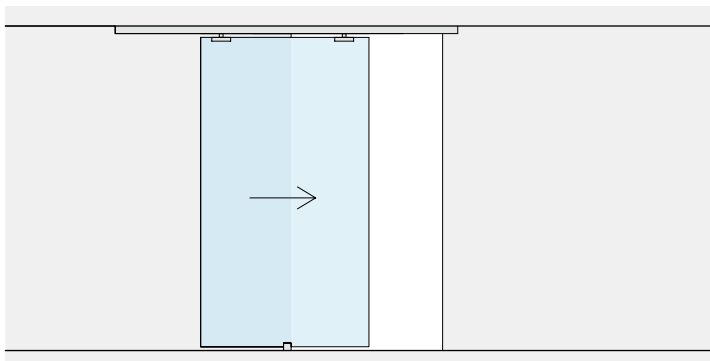
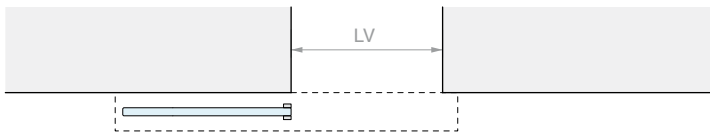
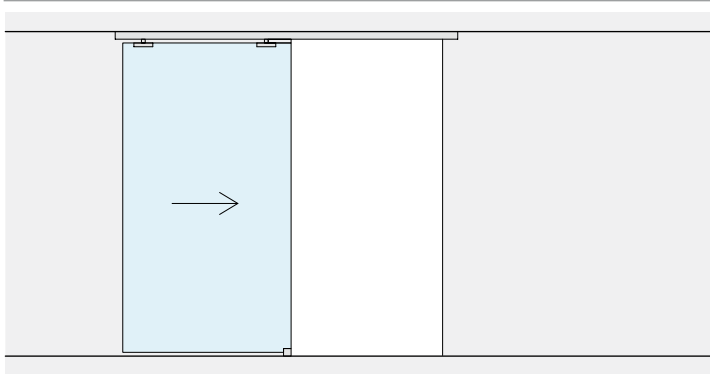
Art.	Description	Qty
LM21.200	Ceiling fixing track	1 Pc
LM3120.200	Track cover	2 Pcs
LM31044TP32	Finishing cap	2 Pcs
CERPOS170COV	Clamp	2 Pcs
057.3114.071	Roller with screw and nut	2 Pcs
057.3073.072	End stop with buffer	2 Pcs
LMGF	Floor guide	1 Pc
Optional		
042.3102.072	Softbreak damper, 20-60 kg	1 Pc
042.3102.071	Softbreak damper, 61-100 kg	1 Pc

Kit comprising:

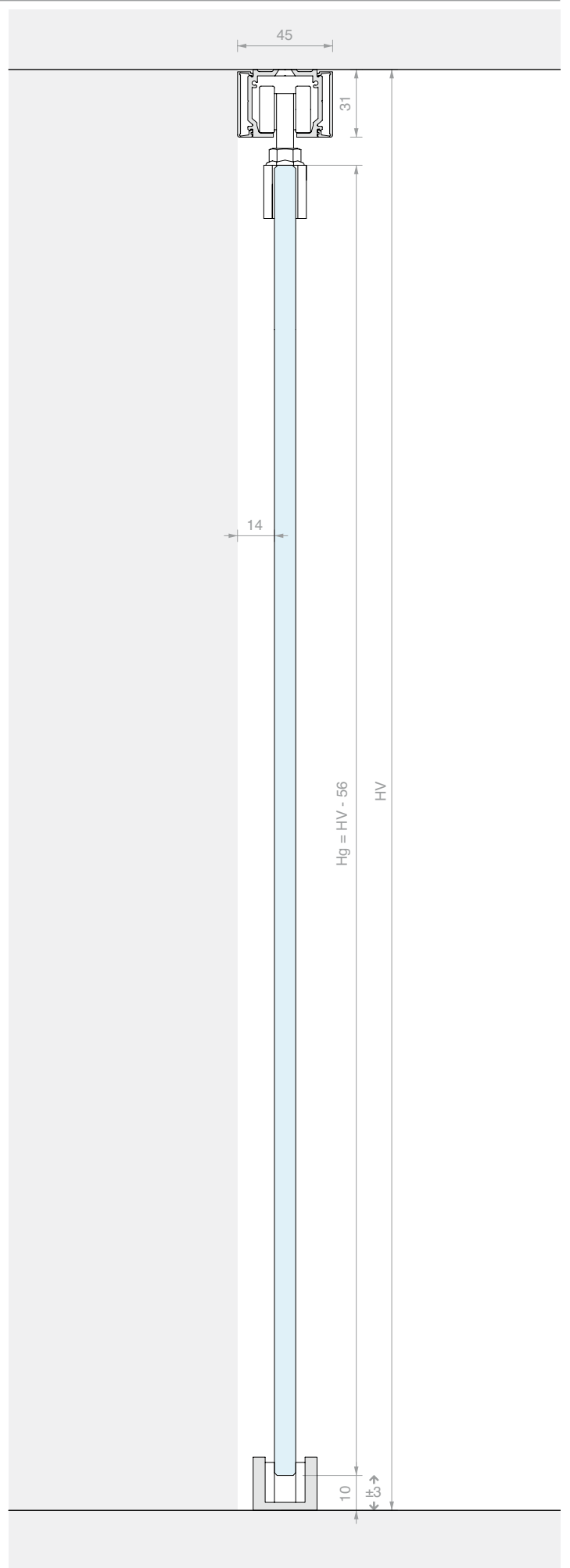
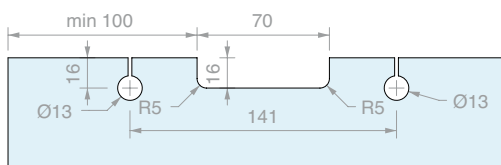
Art.	Description	Qty
LM21.300	Ceiling fixing track	1 Pc
LM3120.300	Track cover	2 Pcs
LM31044TP32	Finishing cap	2 Pcs
CERPOS170COV	Clamp	2 Pcs
057.3114.071	Roller with screw and nut	2 Pcs
057.3073.072	End stop with buffer	2 Pcs
LMGF	Floor guide	1 Pc
Optional		
042.3102.072	Softbreak damper, 20-60 kg	1 Pc
042.3102.071	Softbreak damper, 61-100 kg	1 Pc

Art.	LV max	Qty
LMV3111.200	900 mm	1 Pc

Art.	LV max	Qty
LMV3111.300	1400 mm	1 Pc



MACHINING OF GLASS FOR CERPOS170



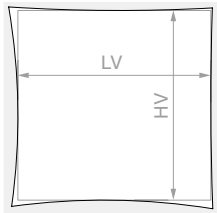


**SLIDING DOOR KIT, CEILING FIXING
SINGLE DOOR WITH LOW COVER**

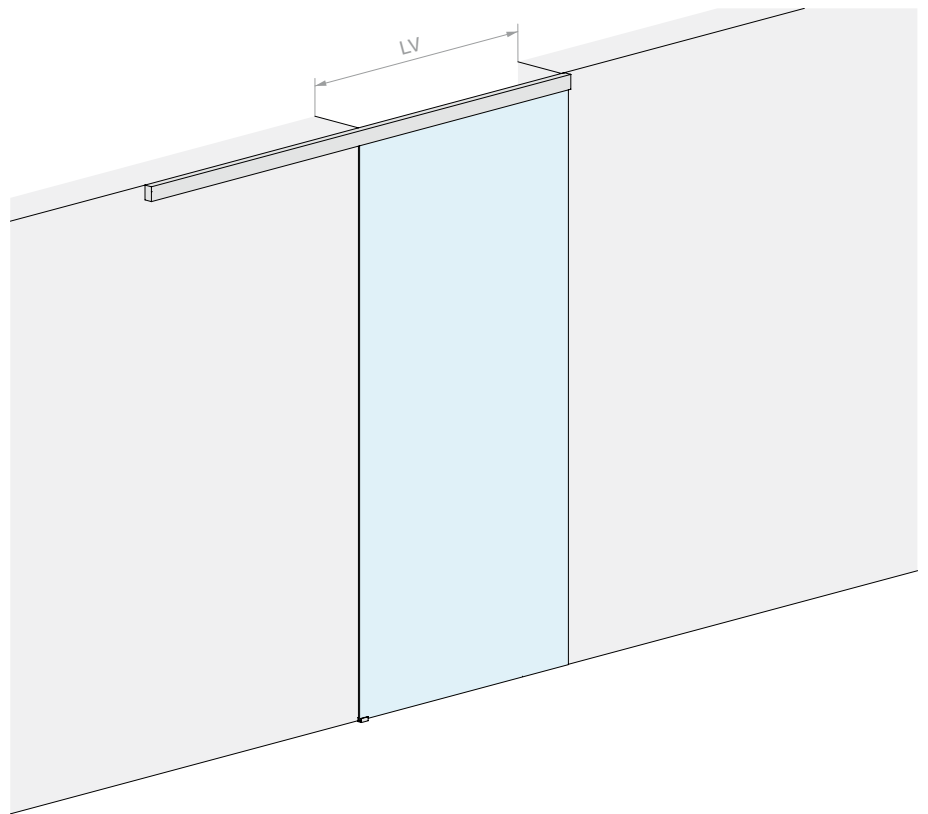
Material: Aluminium

Finish: /6 /88 /97

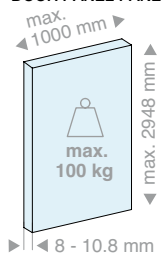
DOOR OPENING SIZE



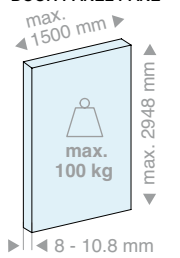
HV max: 3000 mm



DOOR PANEL PANE



DOOR PANEL PANE



Kit comprising:

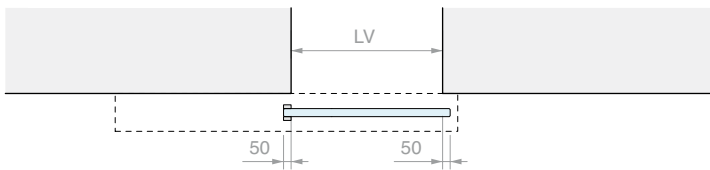
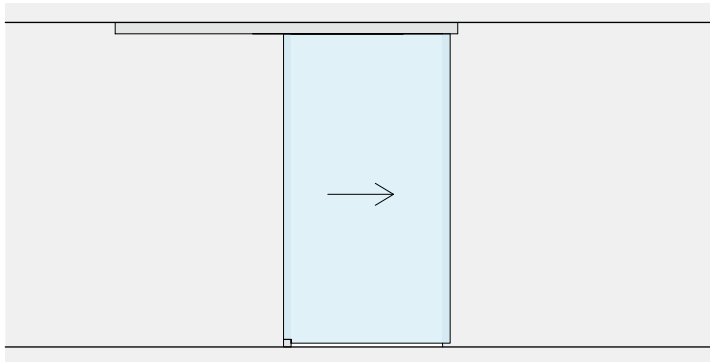
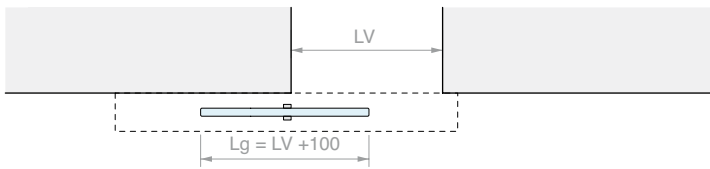
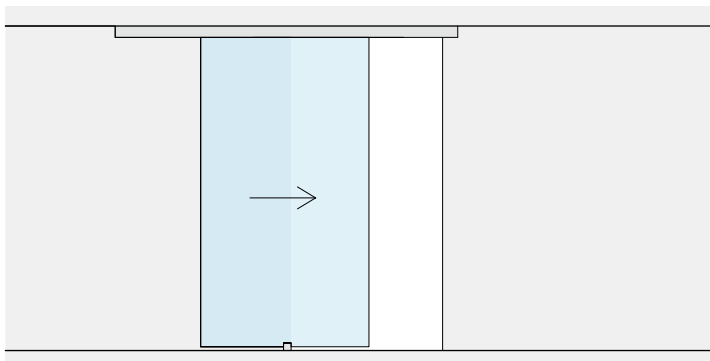
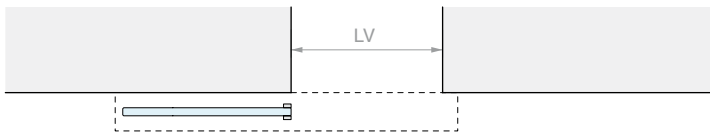
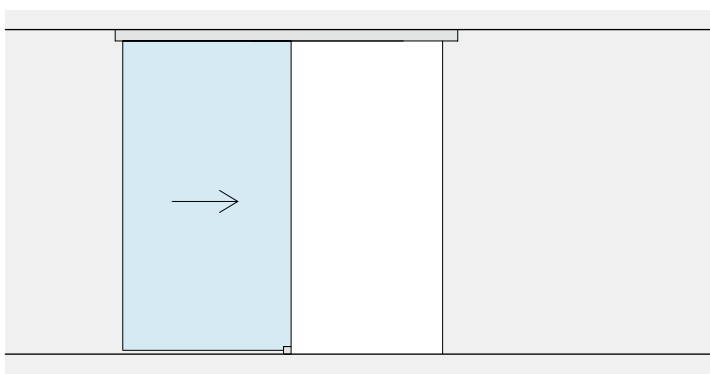
Art.	Description	Qty
LM21.200	Ceiling fixing track	1 Pc
LM0075C.200	Track cover	2 Pcs
LM75044TP33	Finishing cap	2 Pcs
CERPOS170ALL	Clamp	2 Pcs
057.3114.071	Roller with screw and nut	2 Pcs
057.3073.072	End stop with buffer	2 Pcs
LMGF	Floor guide	1 Pc
Optional		
042.3102.072	Softbreak damper, 20-60 kg	1 Pc
042.3102.071	Softbreak damper, 61-100 kg	1 Pc

Kit comprising:

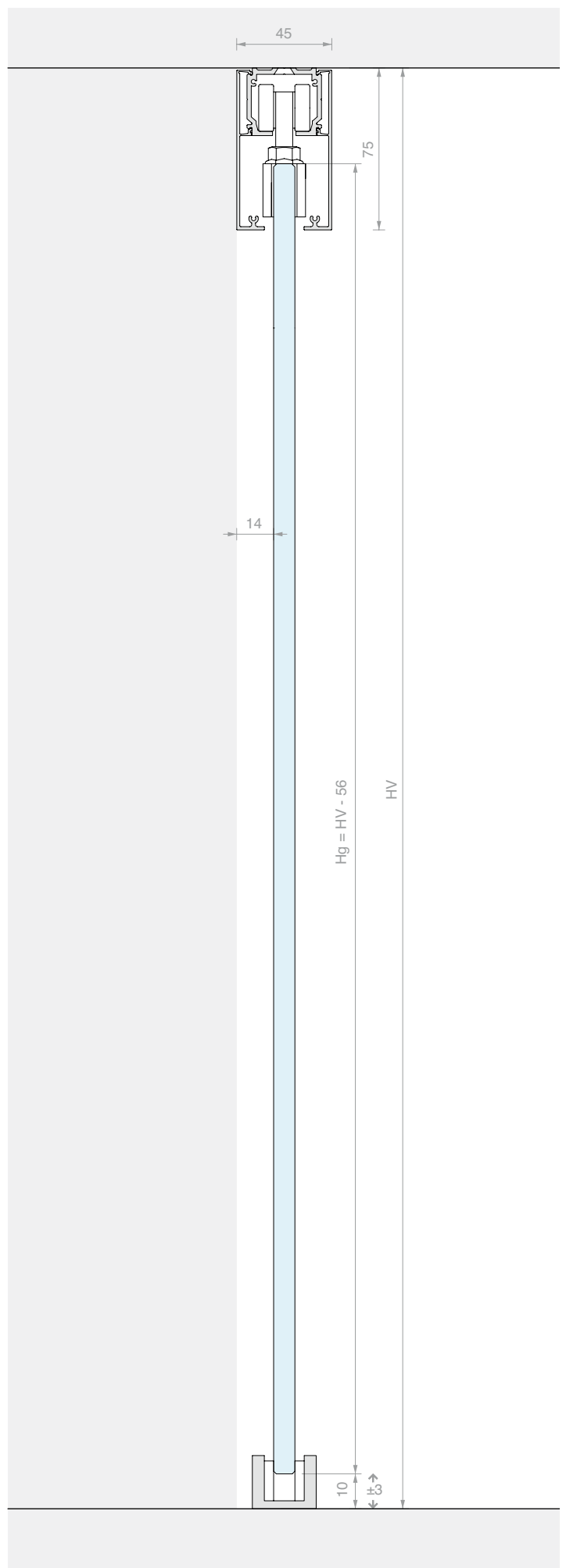
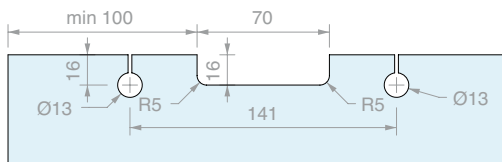
Art.	Description	Qty
LM21.300	Ceiling fixing track	1 Pc
LM0075C.300	Track cover	2 Pcs
LM75044TP33	Finishing cap	2 Pcs
CERPOS170ALL	Clamp	2 Pcs
057.3114.071	Roller with screw and nut	2 Pcs
057.3073.072	End stop with buffer	2 Pcs
LMGF	Floor guide	1 Pc
Optional		
042.3102.072	Softbreak damper, 20-60 kg	1 Pc
042.3102.071	Softbreak damper, 61-100 kg	1 Pc

Art.	LV max	Qty
LMV7511.200	900 mm	1 Pc

Art.	LV max	Qty
LMV7511.300	1400 mm	1 Pc



MACHINING OF GLASS FOR CERPOS170





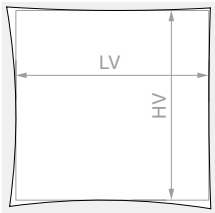
**CEILING FIXING SLIDING DOOR KIT
SINGLE DOOR WITH HIGH COVER**

Material: Aluminium

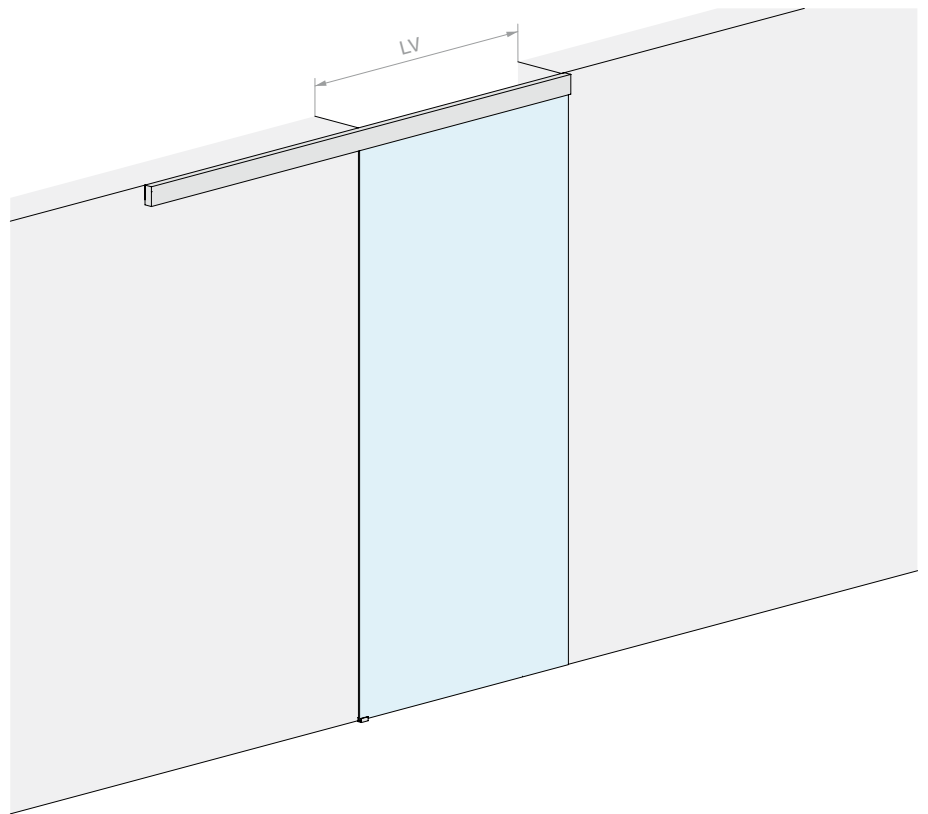
Finish: /6 /88 /97



DOOR OPENING SIZE



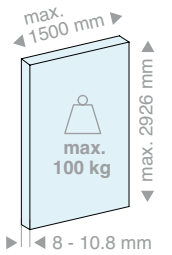
HV max: 3000 mm



DOOR PANEL PANE



DOOR PANEL PANE



Kit comprising:

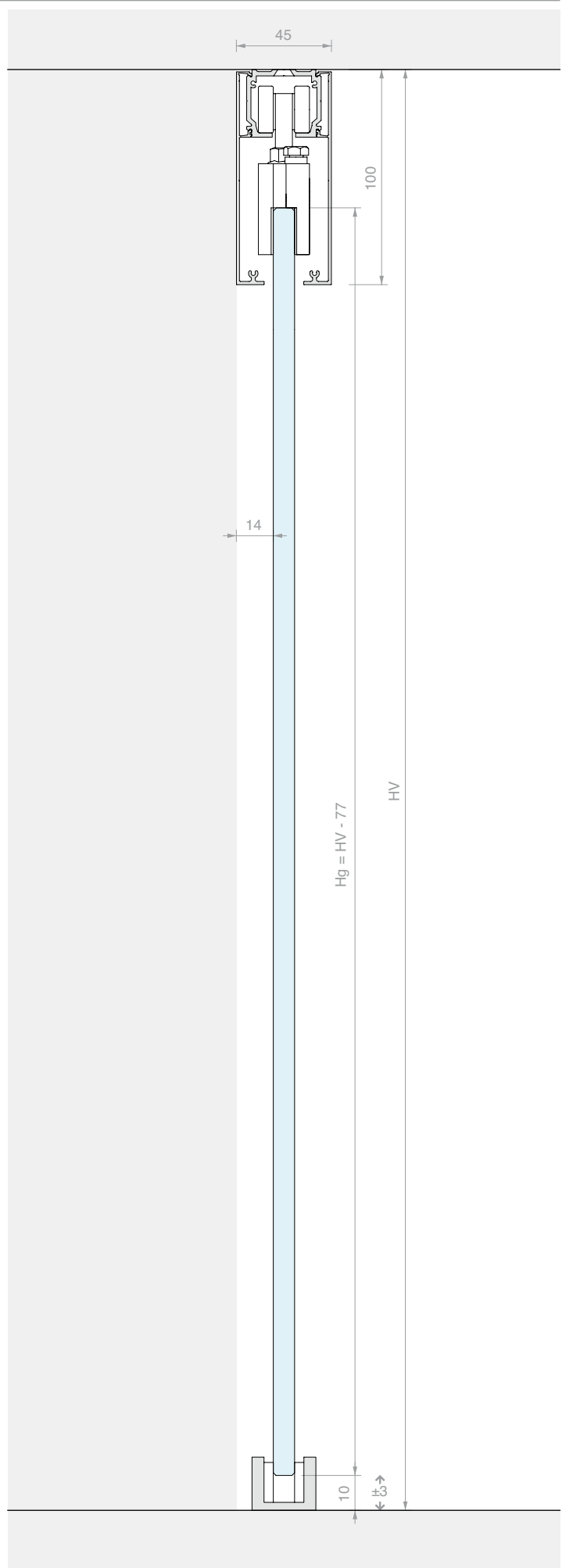
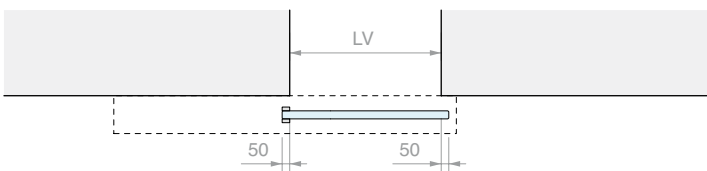
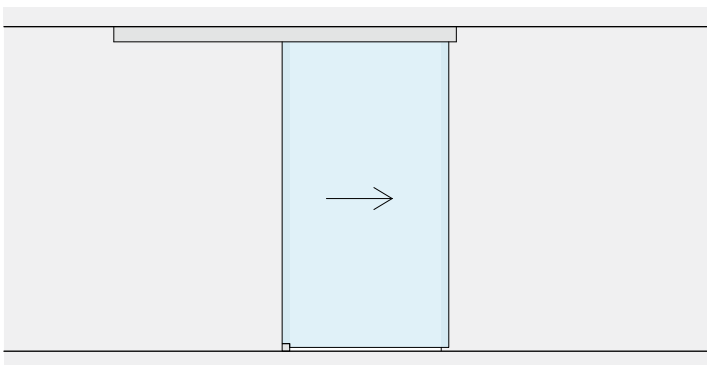
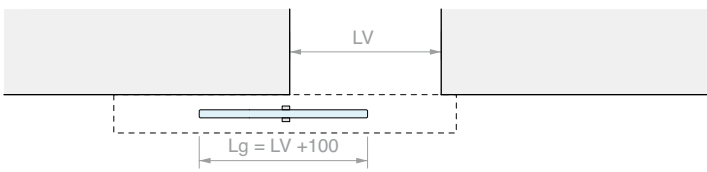
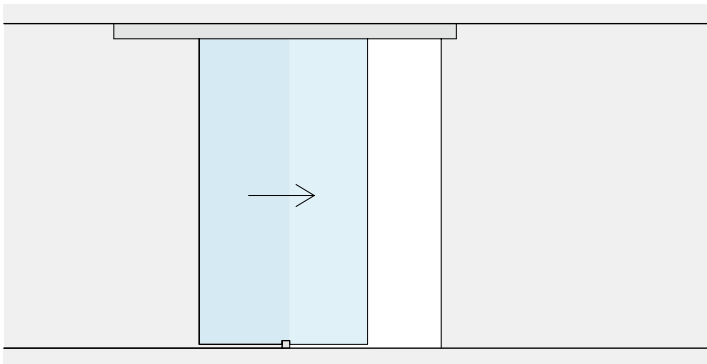
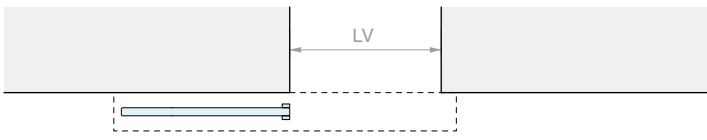
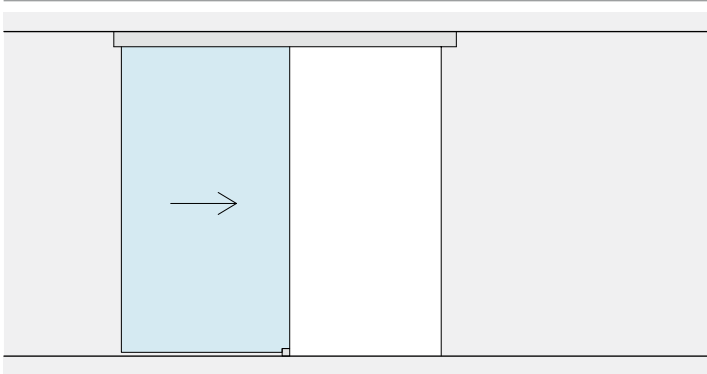
Art.	Description	Qty
LM21.200	Ceiling fixing track	1 Pc
LM0100C.200	Track cover	2 Pcs
LM10044TP33	Finishing cap	2 Pcs
CERPOS514	Clamp	2 Pcs
CARVIT8x40-A2	Roller with screw and bolt	2 Pcs
057.3073.072	End stop with buffer	2 Pcs
LMGF	Floor guide	1 Pc
Optional		
042.3102.072	Softbreak damper, 20-60 kg	1 Pc
042.3102.071	Softbreak damper, 61-100 kg	1 Pc

Kit comprising:

Art.	Description	Qty
LM21.300	Ceiling fixing track	1 Pc
LM0100C.300	Track cover	2 Pcs
LM10044TP33	Finishing cap	2 Pcs
CERPOS514	Clamp	2 Pcs
CARVIT8x40-A2	Roller with screw and bolt	2 Pcs
057.3073.072	End stop with buffer	2 Pcs
LMGF	Floor guide	1 Pc
Optional		
042.3102.072	Softbreak damper, 20-60 kg	1 Pc
042.3102.071	Softbreak damper, 61-100 kg	1 Pc

Art.	LV max	Qty
LMV10011.200	900 mm	1 Pc

Art.	LV max	Qty
LMV10011.300	1400 mm	1 Pc







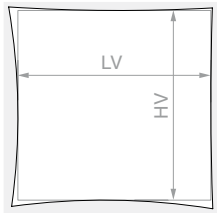


SLIDING DOOR KIT, CEILING FIXING DOUBLE DOOR WITH VISIBLE CLAMPS

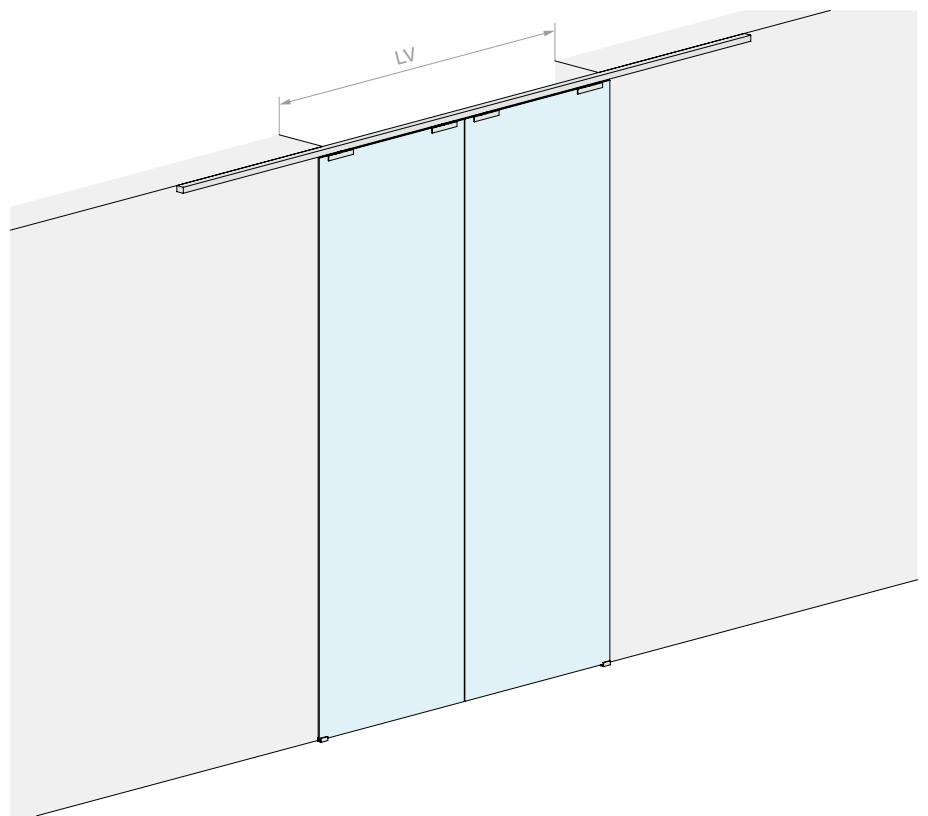
Material: Aluminium

Finish: /6 /88 /97

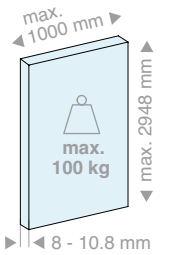
DOOR OPENING SIZE



HV max: 3000 mm



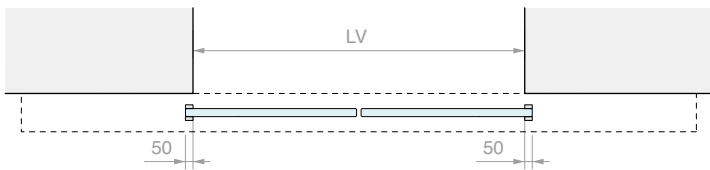
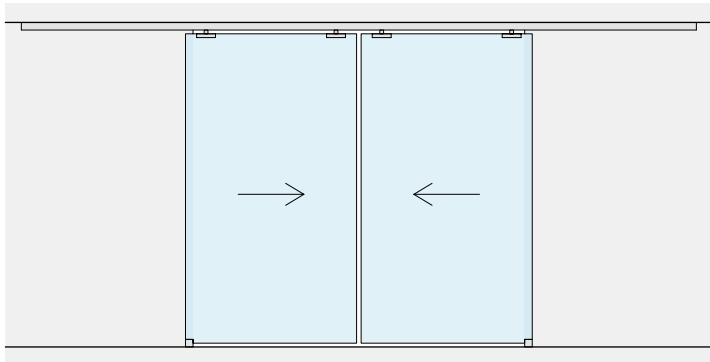
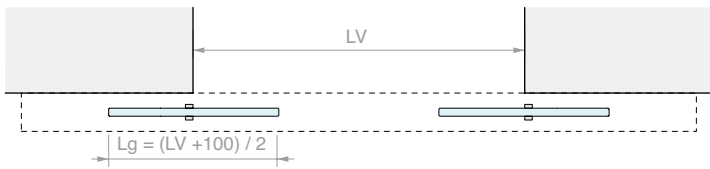
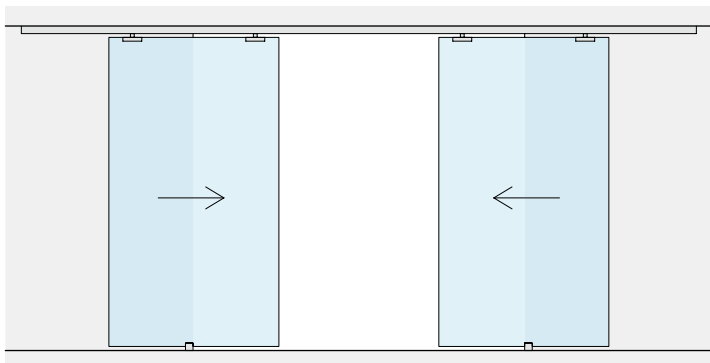
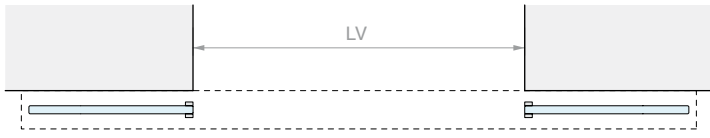
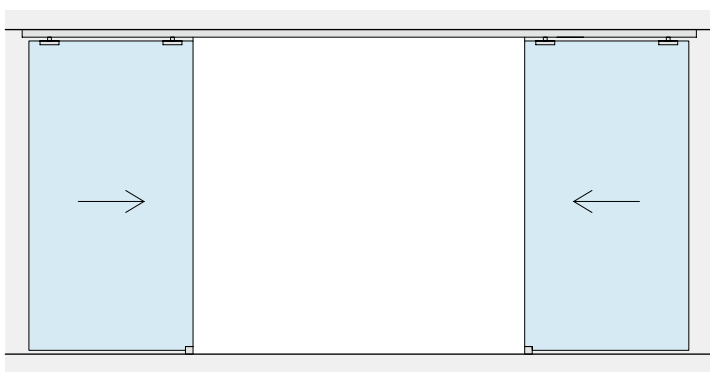
DOOR PANEL PANE



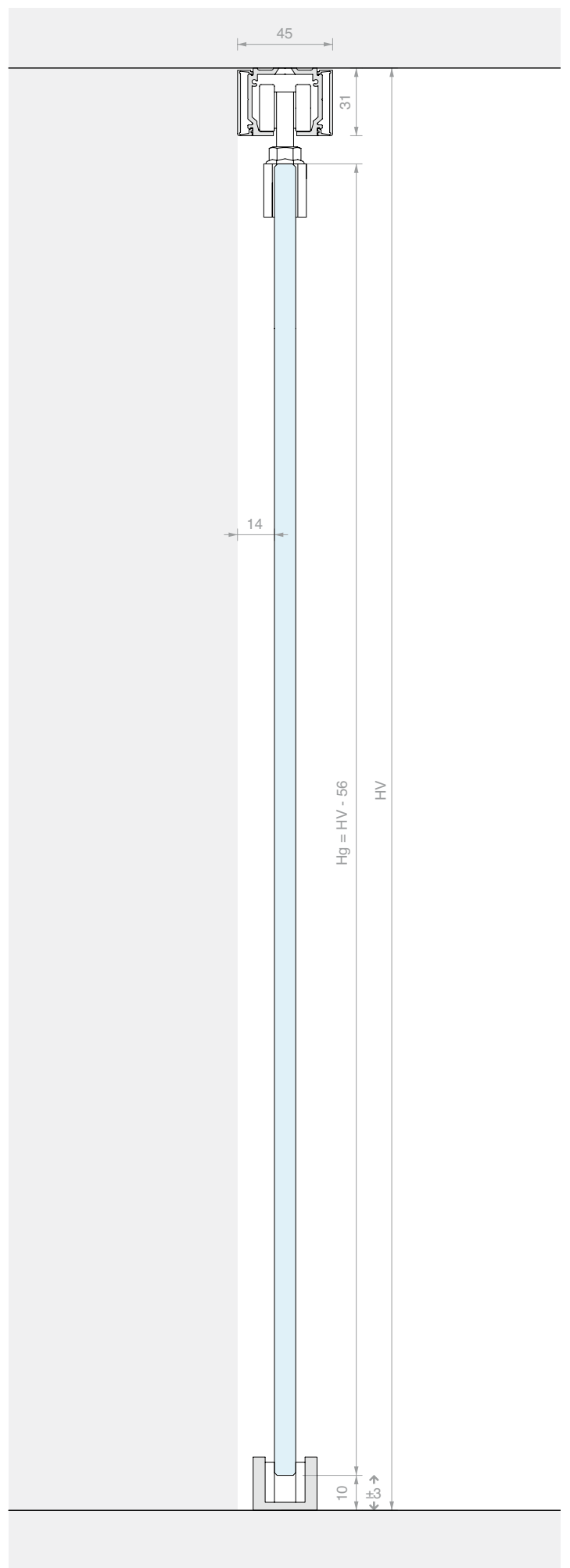
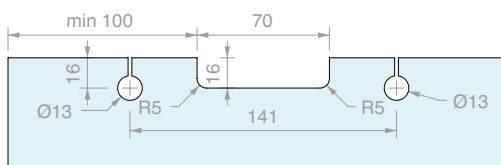
Kit comprising:

Art.	Description	Qty
LM21.400	Ceiling fixing track	1 Pc
LM3120.400	Track cover	2 Pcs
LM31044TP32	Finishing cap	2 Pcs
CERPOS170COV	Clamp	4 Pcs
057.3114.071	Roller with screw and nut	4 Pcs
057.3073.072	End stop with buffer	4 Pcs
LMGF	Floor guide	2 Pcs
Optional		
042.3102.072	Softbreak damper, 20-60 kg	2 Pcs
042.3102.071	Softbreak damper, 61-100 kg	2 Pcs

Art.	LV max	Qty
LMV3111C.400	1900 mm	1 Pc



MACHINING OF GLASS FOR CERPOS170





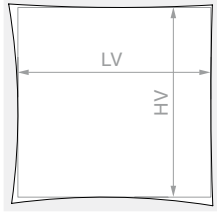
SLIDING DOOR KIT, CEILING FIXING DOUBLE DOOR SYNCHRONISED WITH LOW COVER

Material: Aluminium

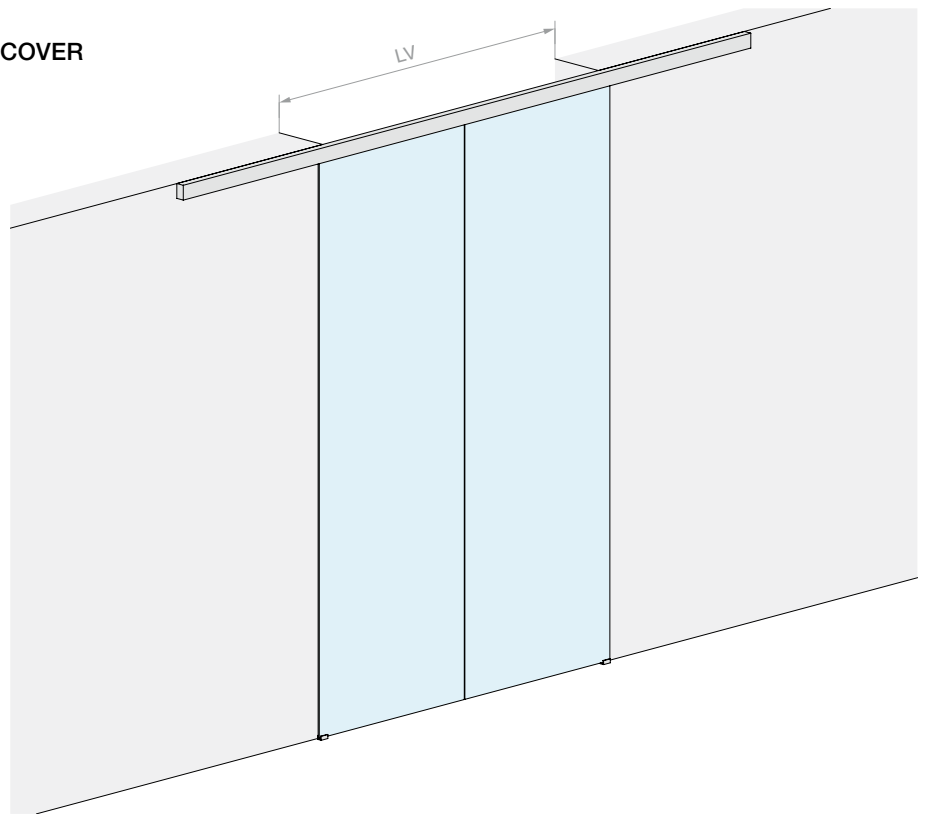
Finish: /6 /88 /97



DOOR OPENING SIZE



HV max: 3000 mm



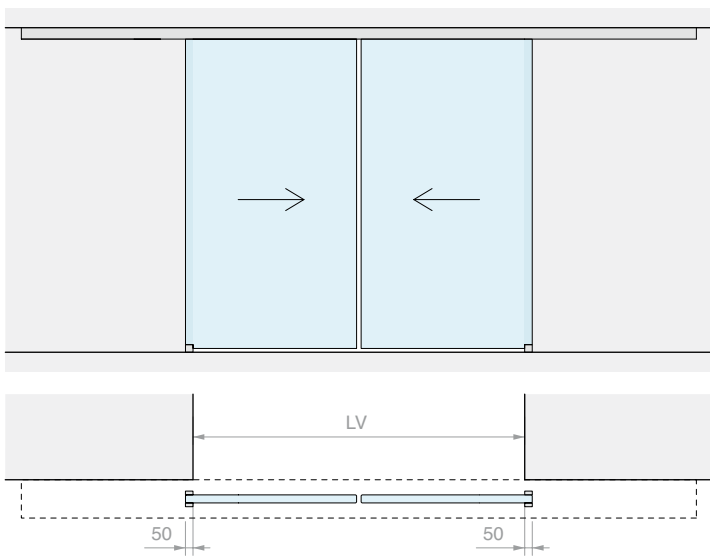
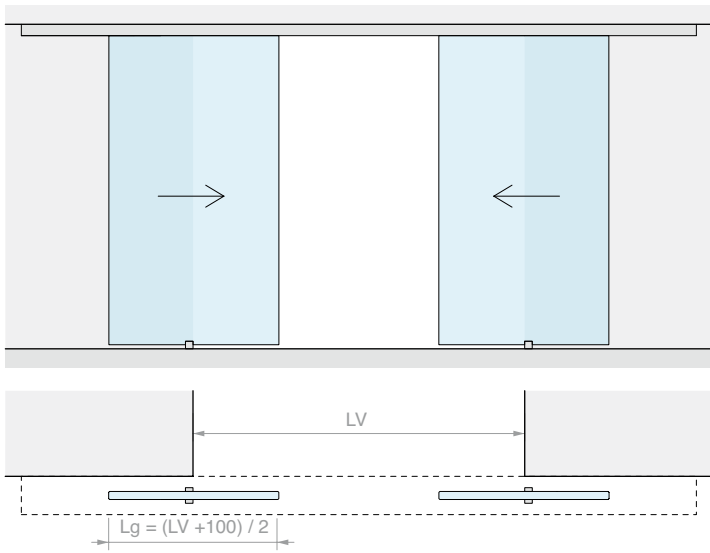
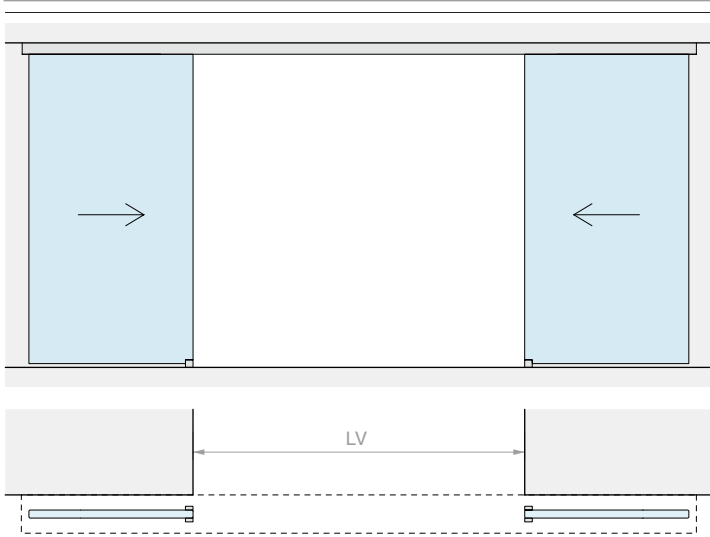
DOOR PANEL PANE



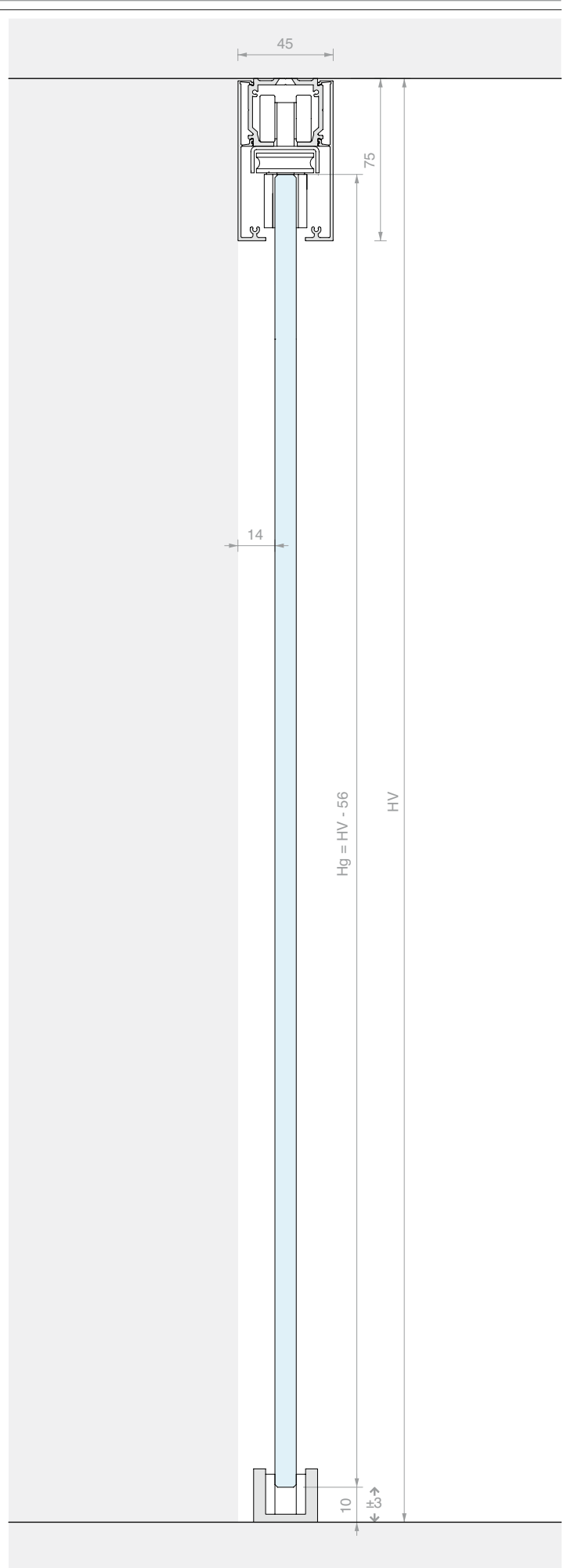
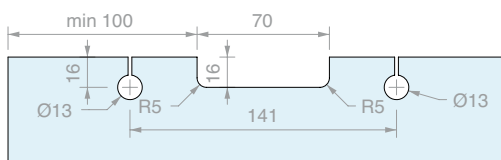
Kit comprising:

Art.	Description	Qty
LM21.400	Ceiling fixing track	1 Pc
LM0075C.400	Track cover	2 Pcs
LM75042TP33	Finishing cap	2 Pcs
CERPOS170ALL	Clamp	2 Pcs
CERPOS170SYNC	Clamp for synchronisation	2 Pcs
057.3114.071	Roller with screw and nut	4 Pcs
057.3073.071	End stop without buffer	4 Pcs
LMGF	Floor guide	2 Pcs
LMSIN-2AC170	Synchronisation kit	1 Pc
Optional		
042.3102.072	Softbreak damper, 20-60 kg	2 Pcs
042.3102.071	Softbreak damper, 61-100 kg	2 Pcs

Art.	LV max	Qty
LMV7511C.400	1900 mm	1 Pc



MACHINING OF GLASS FOR CERPOS170

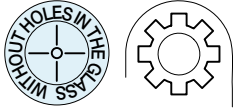




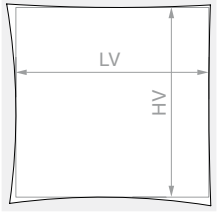
SLIDING DOOR KIT, CEILING FIXING DOUBLE DOOR SYNCHRONISED WITH HIGH COVER

Material: Aluminium

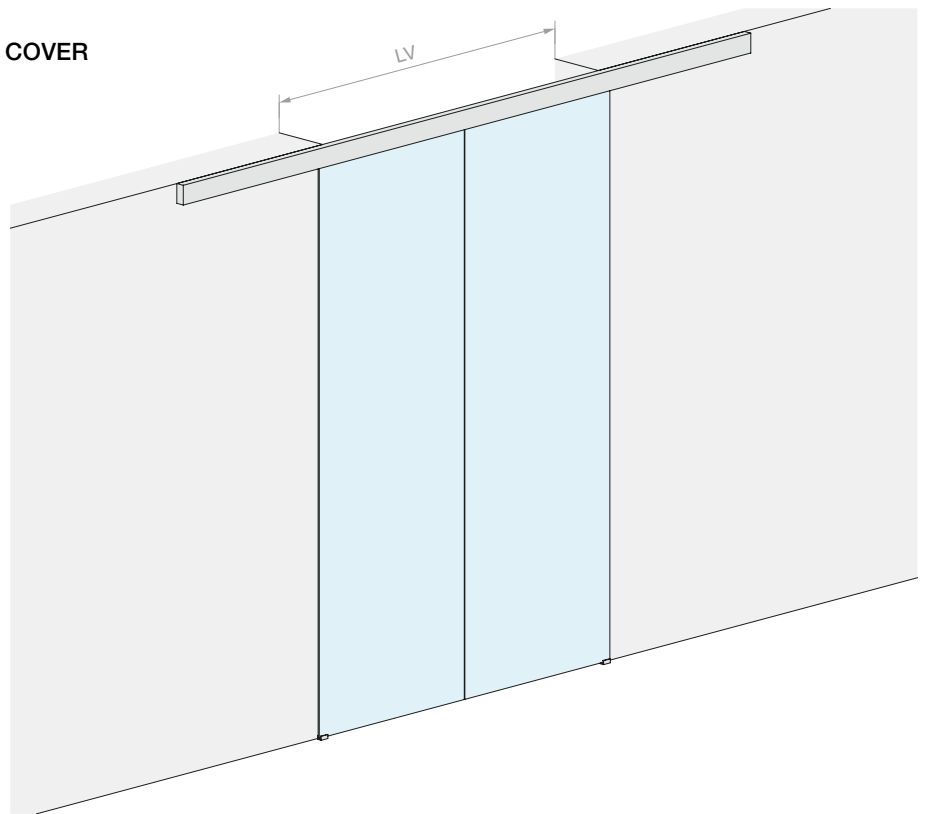
Finish: /6 /88 /97



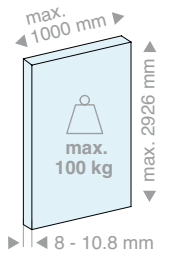
DOOR OPENING SIZE



HV max: 3000 mm



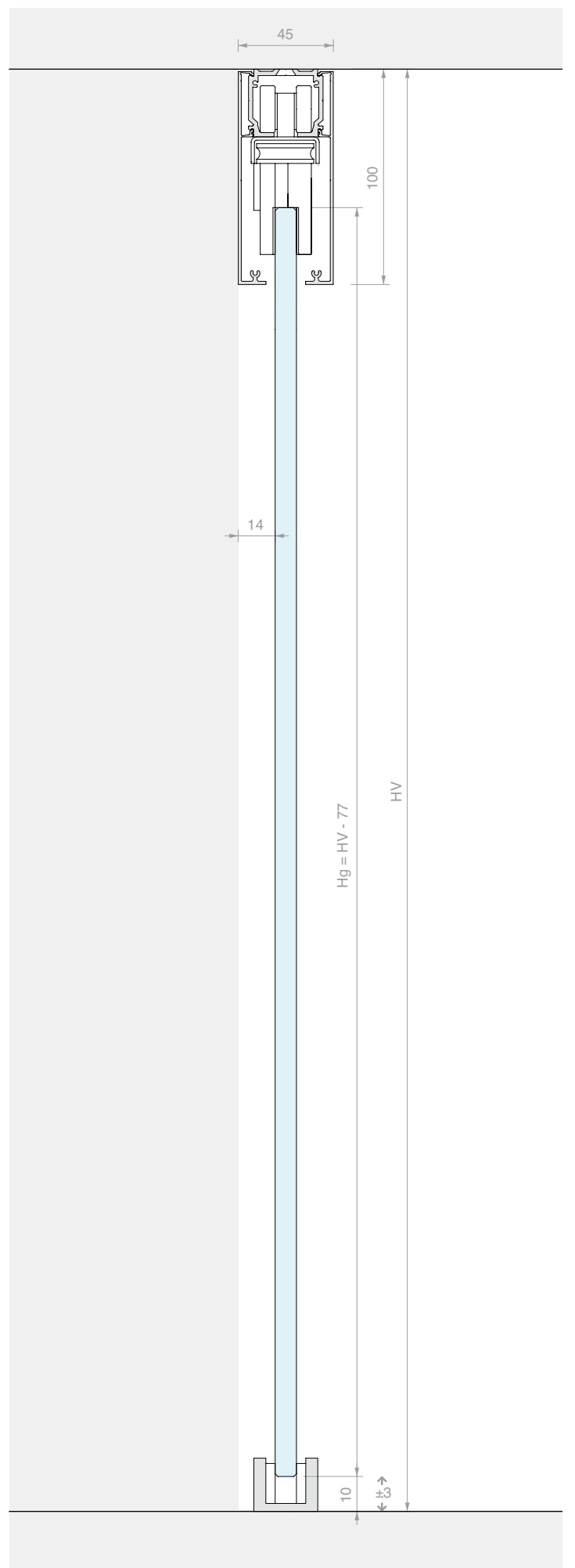
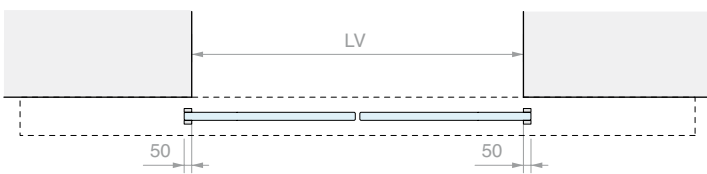
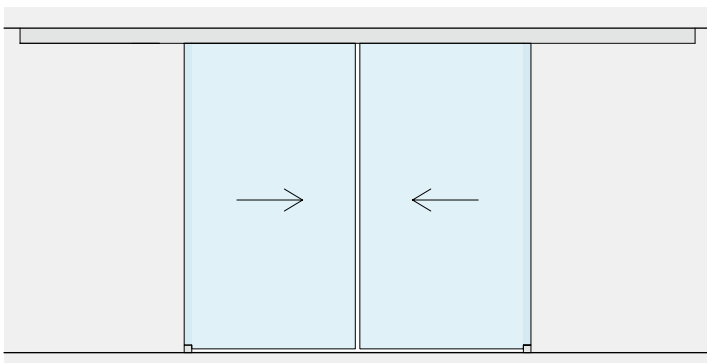
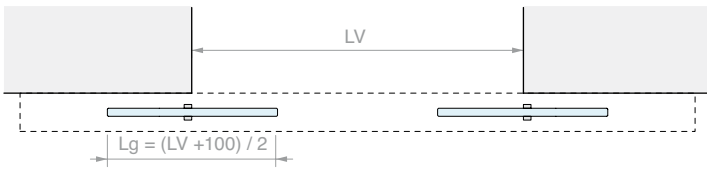
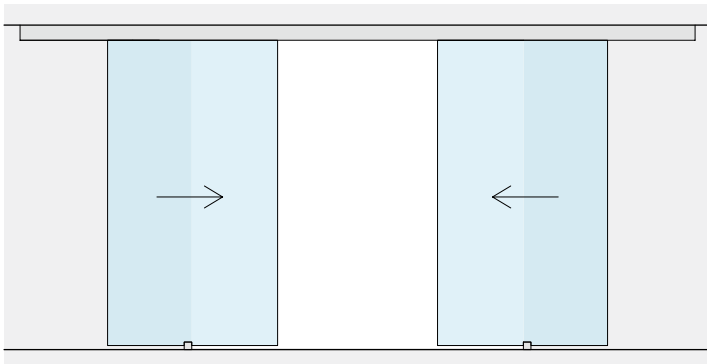
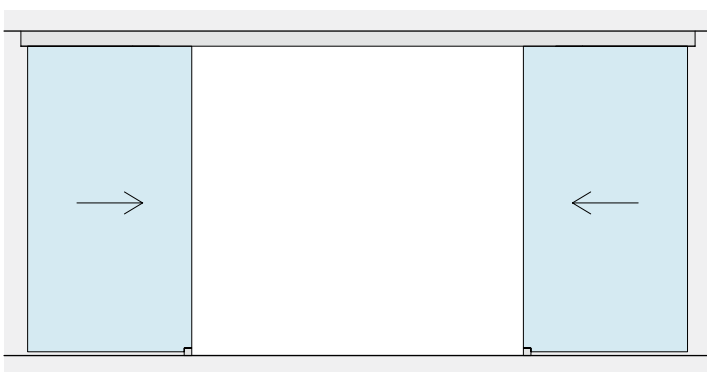
DOOR PANEL PANE



Kit comprising:

Art.	Description	Qty
LM21.400	Ceiling fixing track	1 Pc
LM0100C.400	Track cover	2 Pcs
LM10044TP33	Finishing cap	2 Pcs
CERPOS514	Clamp	2 Pcs
CERPOS514-C	Clamp for synchronisation	2 Pcs
CARVIT8X40-A2	Roller with screw and nut	4 Pcs
057.3073.071	End stop without buffer	4 Pcs
LMGF	Floor guide	2 Pcs
LMSIN-2AC500	Synchronisation kit	1 Pc
Optional		
042.3102.072	Softbreak damper, 20-60 kg	2 Pcs
042.3102.071	Softbreak damper, 61-100 kg	2 Pcs

Art.	LV max	Qty
LMV10011C.400	1900 mm	1 Pc







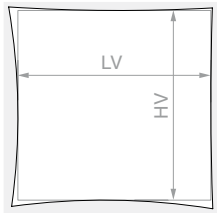


**CEILING FIXING SLIDING DOOR KIT
SINGLE DOOR AND FIXED GLASS WITH LOW COVER**

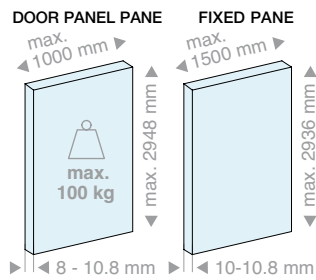
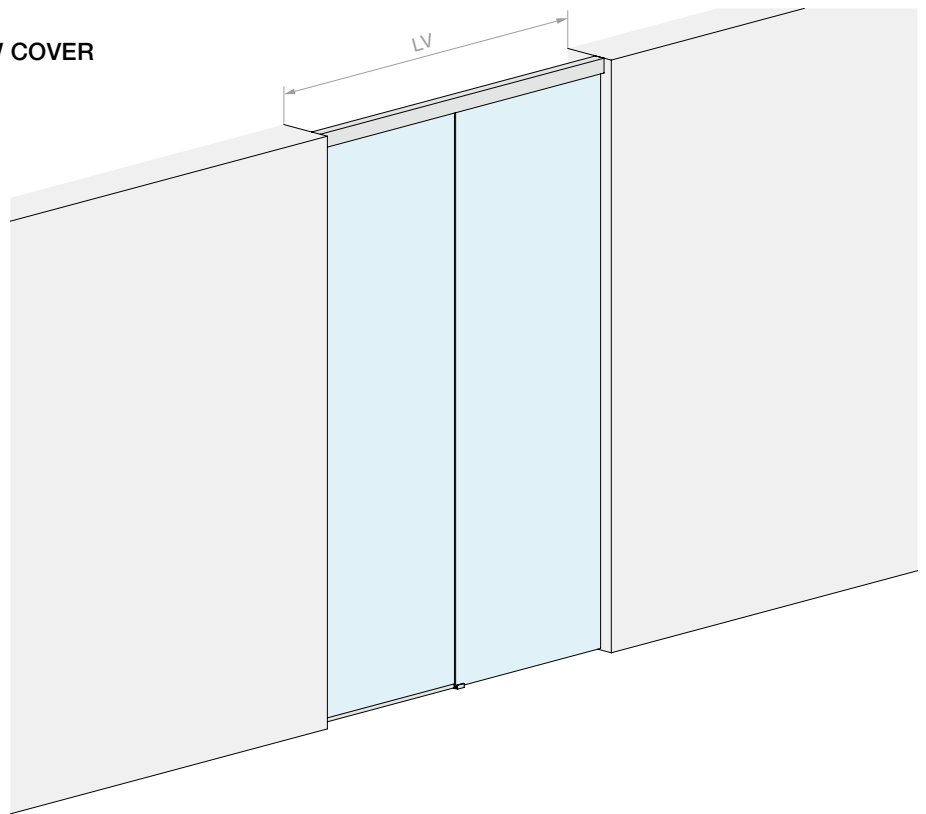
Material: Aluminium

Finish: /6 /88 /97

DOOR OPENING SIZE

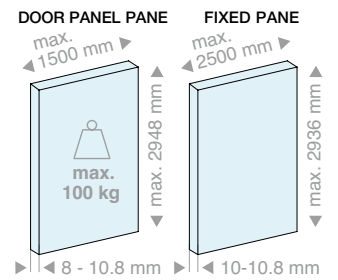


HV max: 3000 mm



Kit comprising:

Art.	Description	Qty
LM21.200	Ceiling fixing track	1 Pc
LM26075.200	Fixed glass profile	1 Pc
LM0075C.200	Track cover	1 Pc
LMC13.200	Finishing profile	1 Pc
LMU20.150	U profile	1 Pc
LMU20.300	U profile	1 Pc
LMU20TP	Finishing cap	1 Pc
GTUP2	Glass holder gasket	5 m
CERPOS170ALL	Clamp	2 Pcs
057.3114.071	Roller with screw and nut	2 Pcs
057.3073.072	End stop with buffer	2 Pcs
LMGF	Floor guide	1 Pc

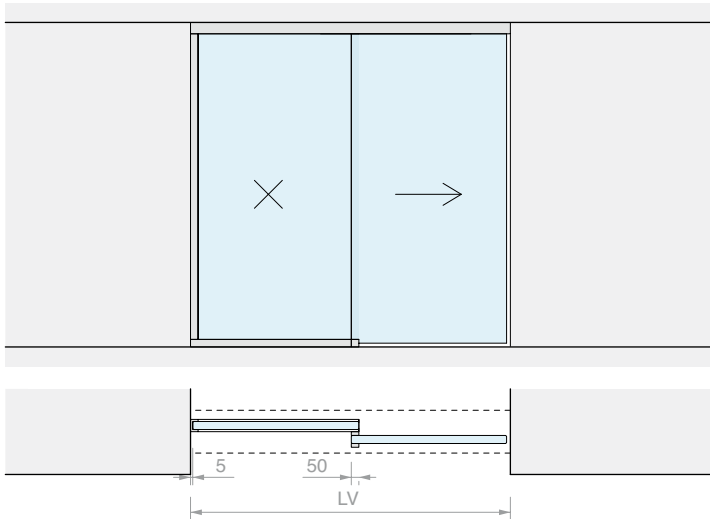
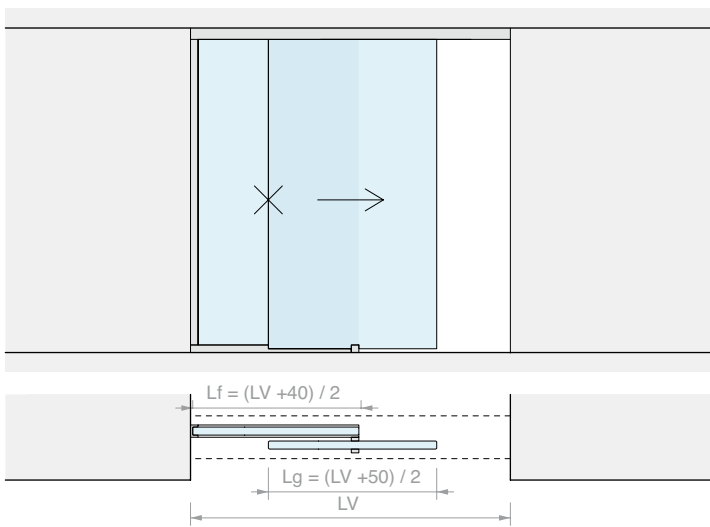
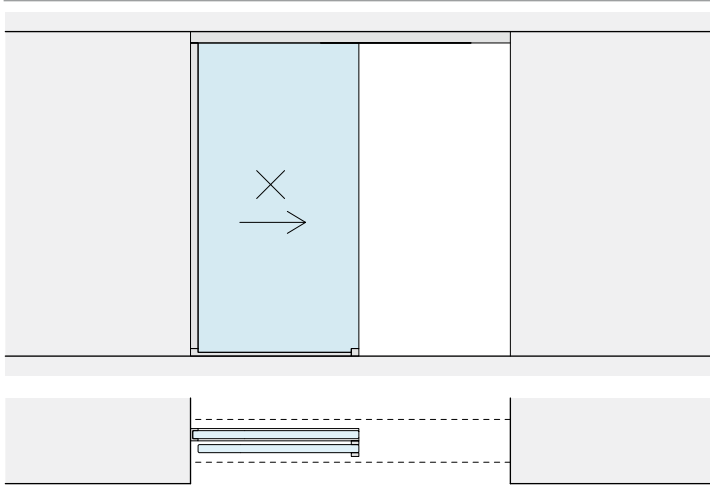


Kit comprising:

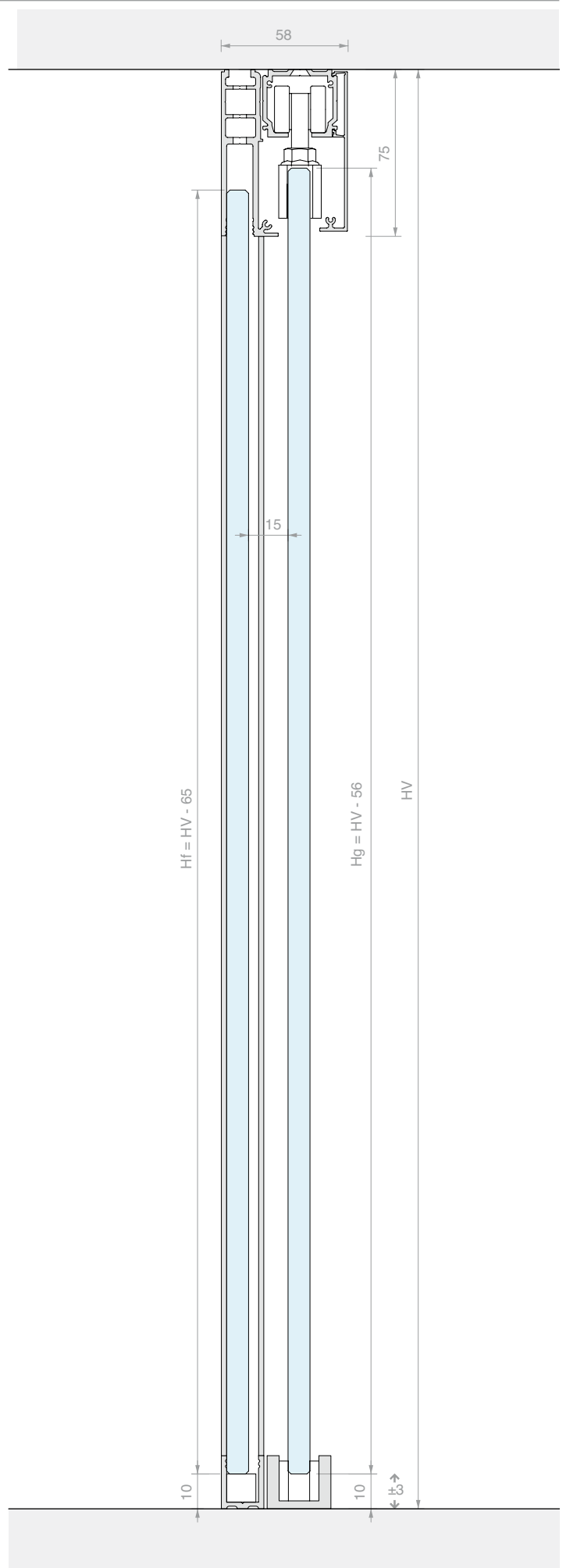
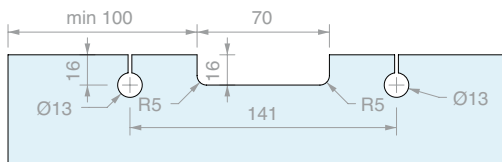
Art.	Description	Qty
LM21.300	Ceiling fixing track	1 Pc
LM26075.300	Fixed glass profile	1 Pc
LM0075C.300	Track cover	1 Pc
LMC13.200	Finishing profile	1 Pc
LMU20.300	U profile	2 Pcs
LMU20TP	Finishing cap	1 Pc
GTUP2	Glass holder gasket	6 m
CERPOS170ALL	Clamp	2 Pcs
057.3114.071	Roller with screw and nut	2 Pcs
057.3073.072	End stop with buffer	2 Pcs
LMGF	Floor guide	1 Pc

Optional		Art.	Description	Qty
042.3102.072	Softbreak damper, 20-60 kg	042.3102.072	Softbreak damper, 20-60 kg	1 Pc
042.3102.071	Softbreak damper, 61-100 kg	042.3102.071	Softbreak damper, 61-100 kg	1 Pc

Art.	LV max	Qty	Art.	LV max	Qty
LMV7511F.200	1900 mm	1 Pc	LMV7511F.300	2900 mm	1 Pc



MACHINING OF GLASS FOR CERPOS170





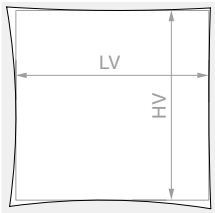
SLIDING DOOR KIT, CEILING FIXING
SINGLE DOOR AND FIXED GLASS WITH HIGH COVER

Material: Aluminium

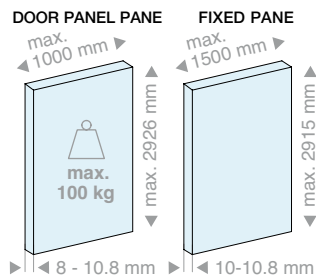
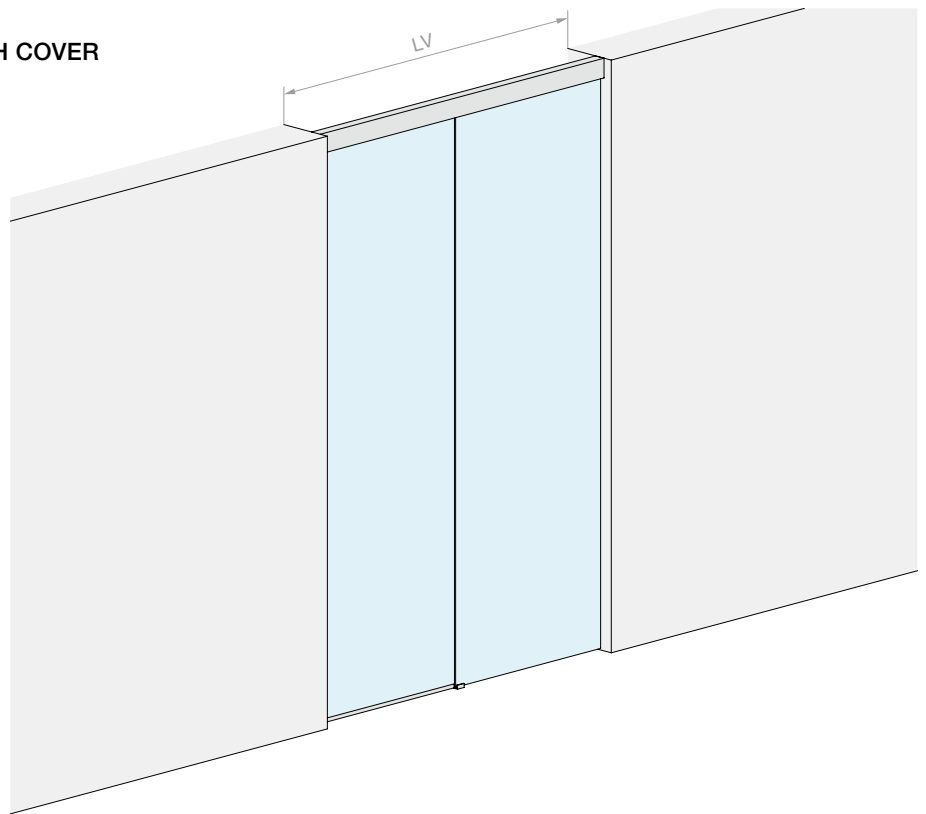
Finish: /6 /88 /97



DOOR OPENING SIZE

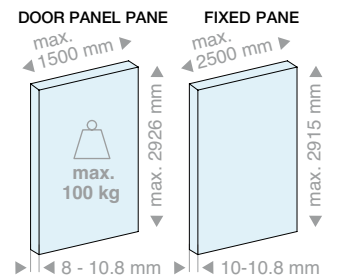


HV max: 3000 mm



Kit comprising:

Art.	Description	Qty
LM21.200	Ceiling fixing track	1 Pc
LM26100.200	Fixed glass profile	1 Pc
LM0100C.200	Track cover	1 Pc
LMC13.200	Finishing profile	1 Pc
LMU20.150	U profile	1 Pc
LMU20.300	U profile	1 Pc
LMU20TP	Finishing cap	1 Pc
GTUP2	Glass holder gasket	5 m
CERPOS514	Clamp	2 Pcs
CARVIT8X40-A2	Roller with screw and nut	2 Pcs
057.3073.072	End stop with buffer	2 Pcs
LMGF	Floor guide	1 Pc



Kit comprising:

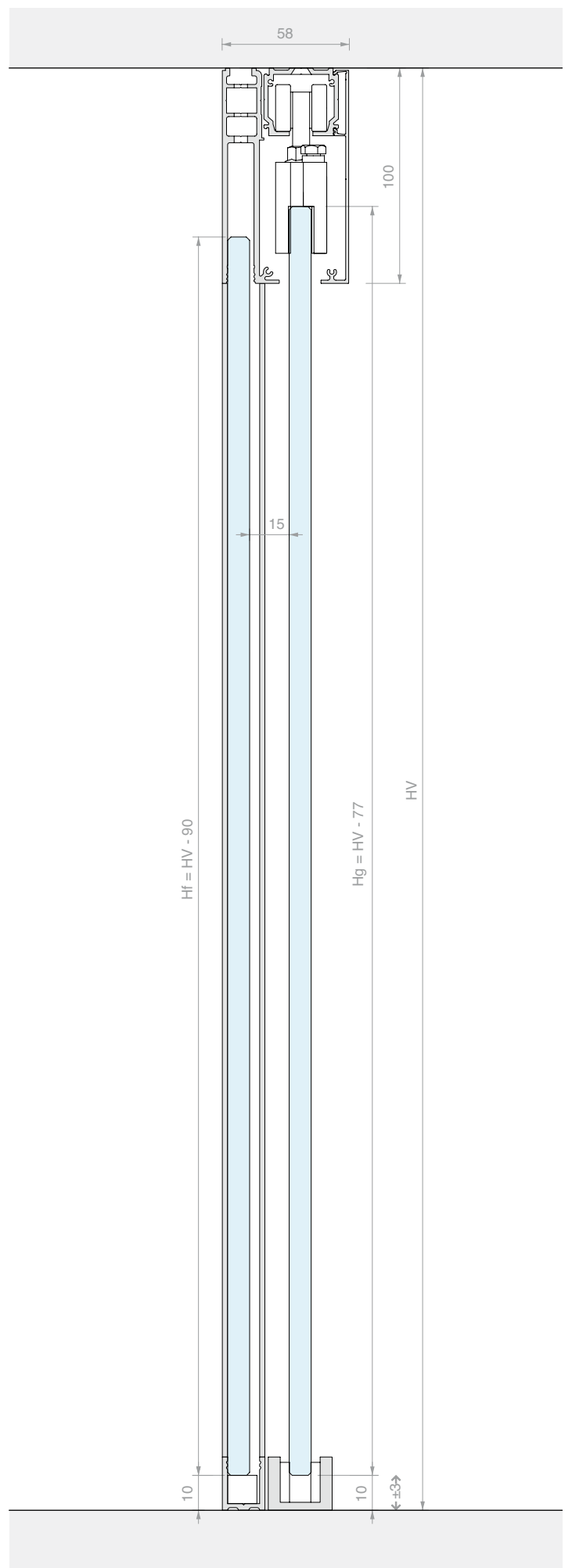
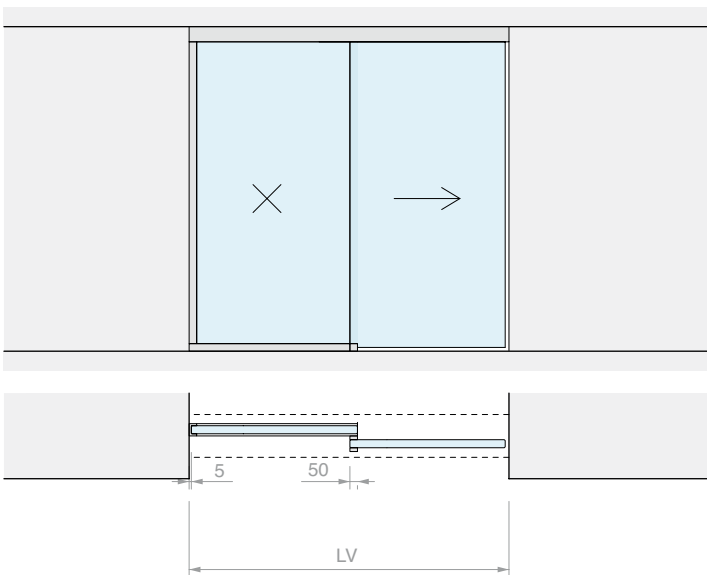
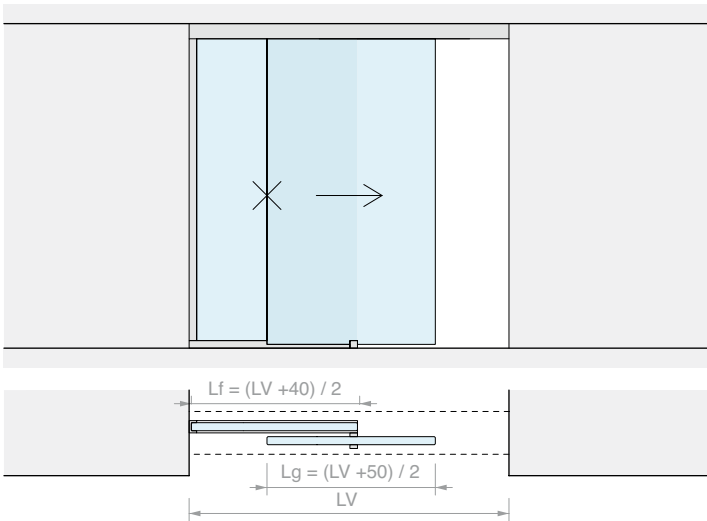
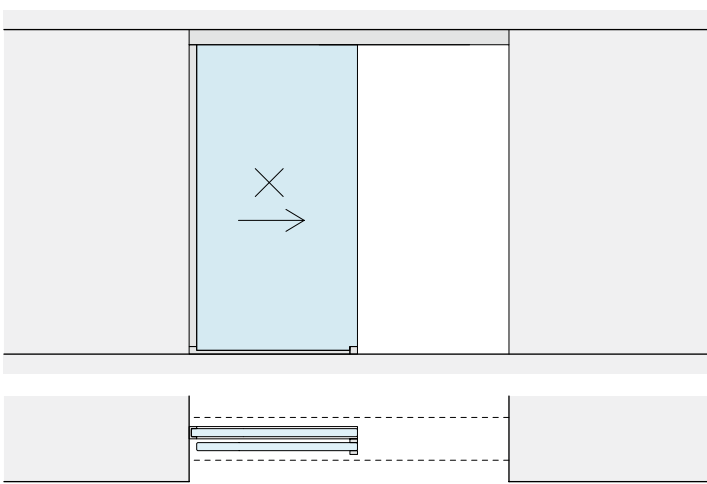
Art.	Description	Qty
LM21.300	Ceiling fixing track	1 Pc
LM26100.300	Fixed glass profile	1 Pc
LM0100C.300	Track cover	1 Pc
LMC13.200	Finishing profile	1 Pc
LMU20.300	U profile	2 Pcs
LMU20TP	Finishing cap	1 Pc
GTUP2	Glass holder gasket	6 m
CERPOS514	Clamp	2 Pcs
CARVIT8X40-A2	Roller with screw and nut	2 Pcs
057.3073.072	End stop with buffer	2 Pcs
LMGF	Floor guide	1 Pc

Optional		
042.3102.072	Softbreak damper, 20-60 kg	1 Pc
042.3102.071	Softbreak damper, 61-100 kg	1 Pc

Optional		
042.3102.072	Softbreak damper, 20-60 kg	1 Pc
042.3102.071	Softbreak damper, 61-100 kg	1 Pc

Art.	LV max	Qty
LMV10011F.200	1900 mm	1 Pc

Art.	LV max	Qty
LMV10011F.300	2900 mm	1 Pc





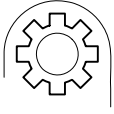




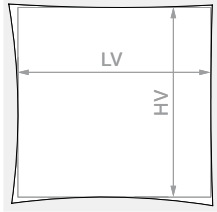
CEILING FIXING SLIDING DOOR KIT SYNCHRONISED DOUBLE DOOR AND DOUBLE FIXED GLASS

Material: Aluminium

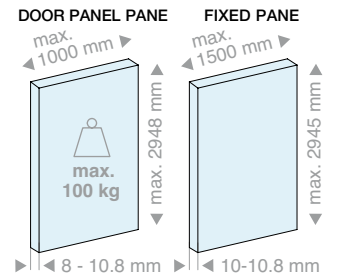
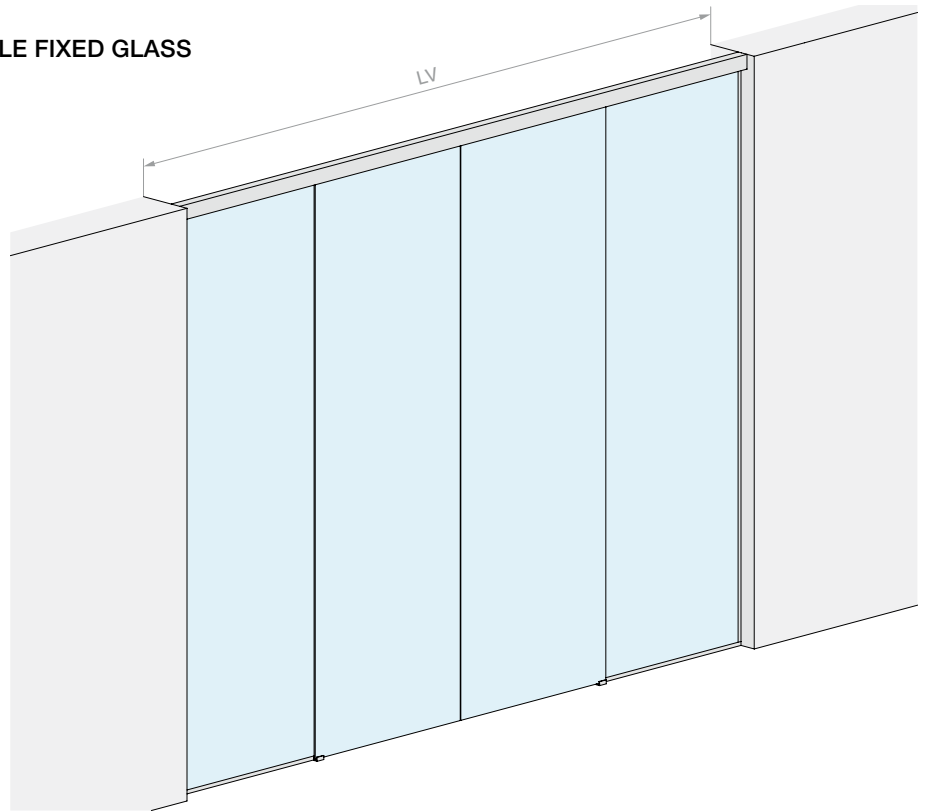
Finish: /6 /88 /97



DOOR OPENING SIZE



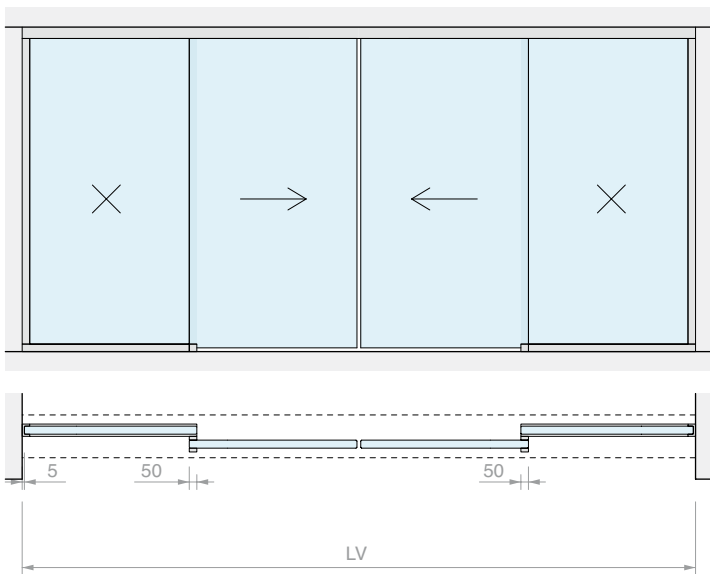
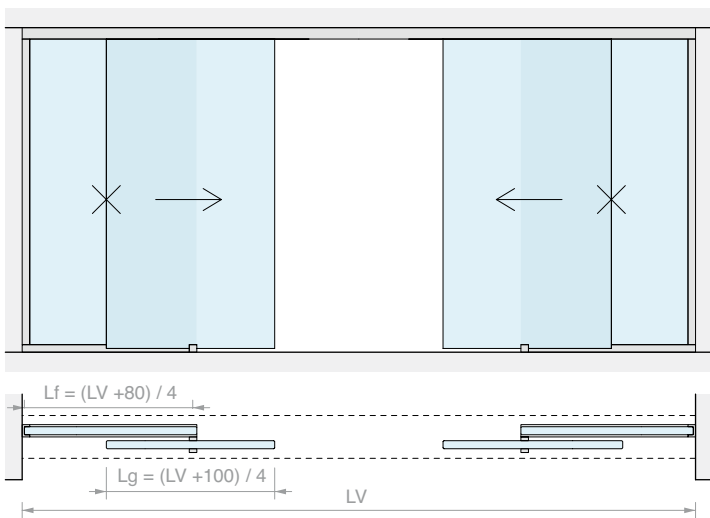
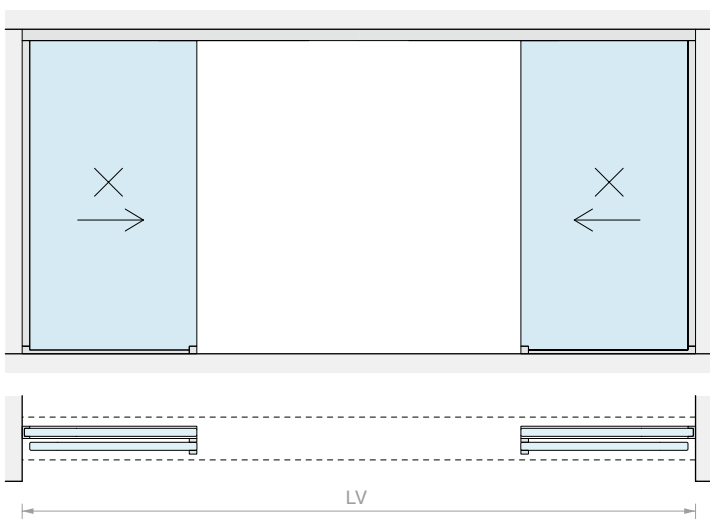
HV max: 3000 mm



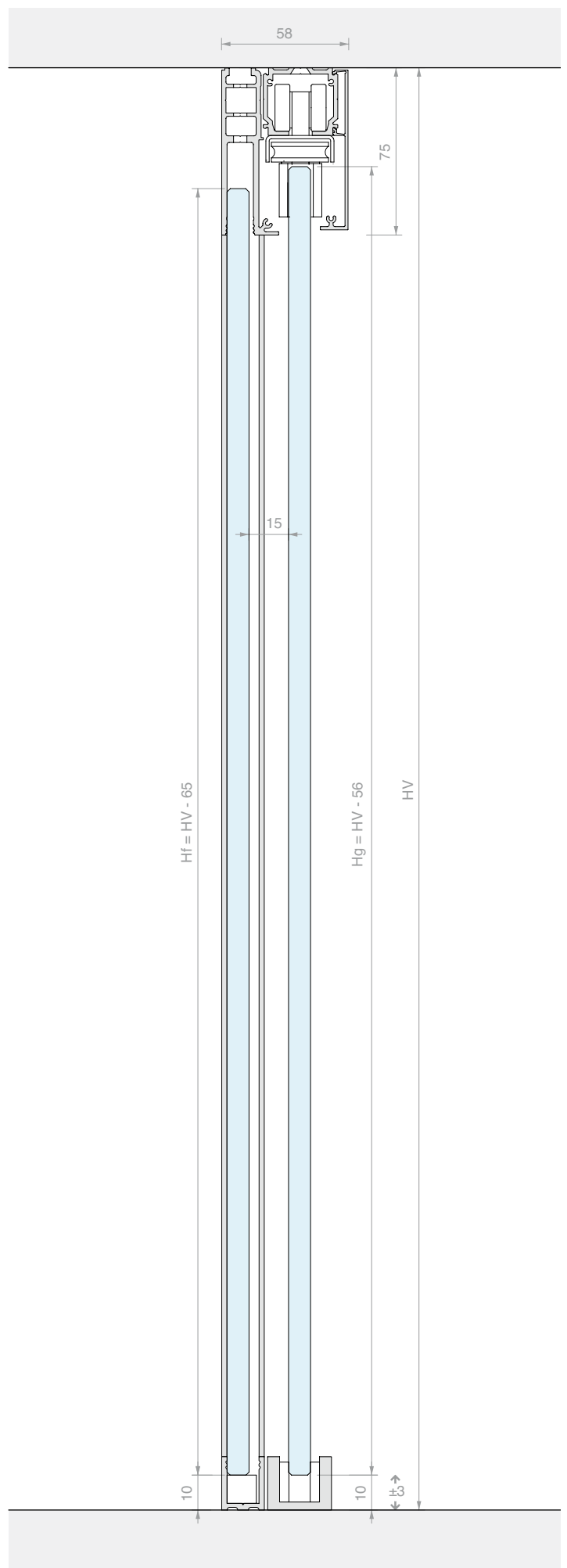
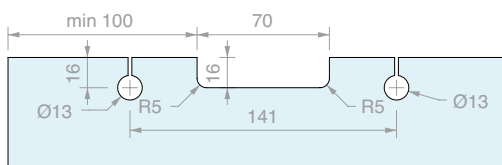
Kit comprising:

Art.	Description	Qty
LM21.400	Ceiling fixing track	1 Pc
LM26075.400	Fixed glass profile	1 Pc
LM0075C.400	Track cover	1 Pc
LMC13.200	Finishing profile	1 Pc
LMU20.300	U profile	3 Pcs
LMU20TP	Finishing cap	2 Pcs
GTUP2	Glass holder gasket	10 m
CERPOS170ALL	Clamp	2 Pcs
CERPOS170SYNC	Clamp for synchronisation	2 Pcs
057.3114.071	Roller with screw and nut	4 Pcs
057.3073.071	End stop without buffer	4 Pcs
LMGF	Floor guide	2 Pcs
LMSIN-2AC170	Synchronisation kit	1 Pc
Optional		
042.3102.072	Softbreak damper, 20-60 kg	2 Pcs
042.3102.071	Softbreak damper, 61-100 kg	2 Pcs

Art.	LV max	Qty
LMV7511CF.400	3900 mm	1 Pc



MACHINING OF GLASS FOR CERPOS170

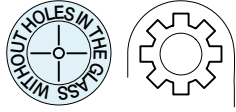




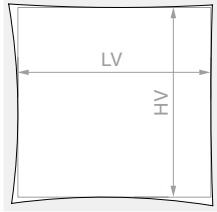
SLIDING DOOR KIT, CEILING FIXING
SYNCHRONISED DOUBLE DOOR AND DOUBLE FIXED GLASS WITH HIGH COVER

Material: Aluminium

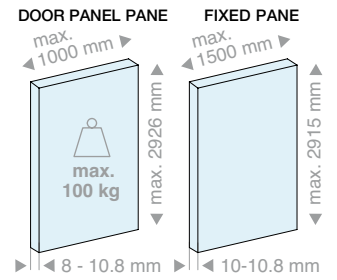
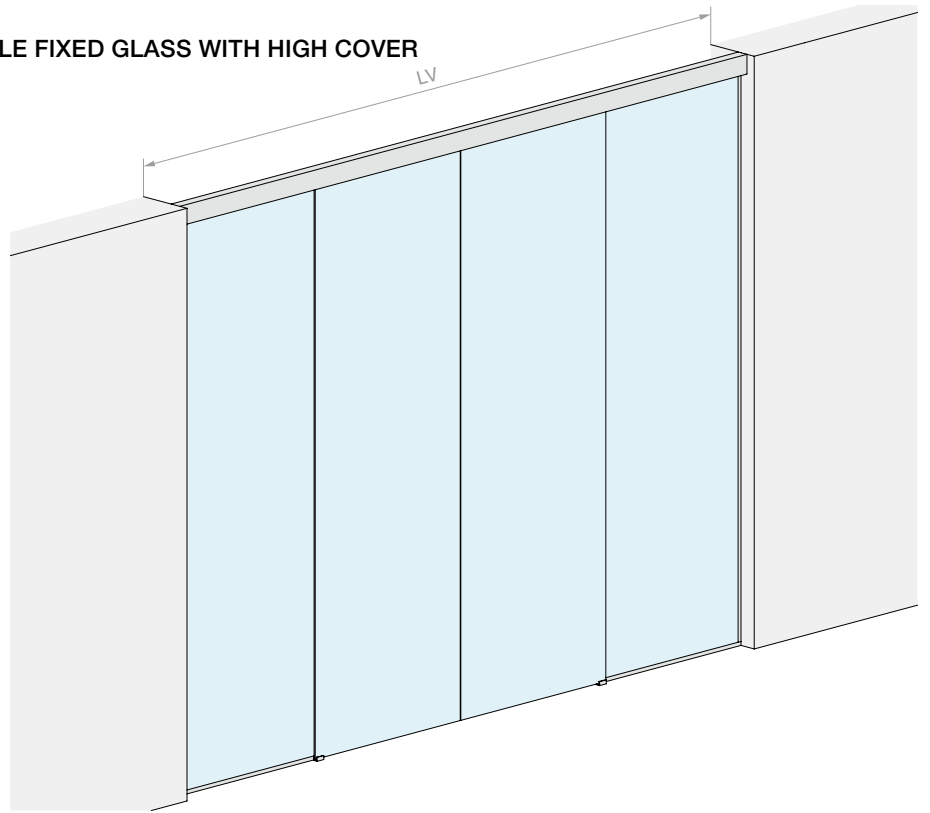
Finish: /6 /88 /97



DOOR OPENING SIZE



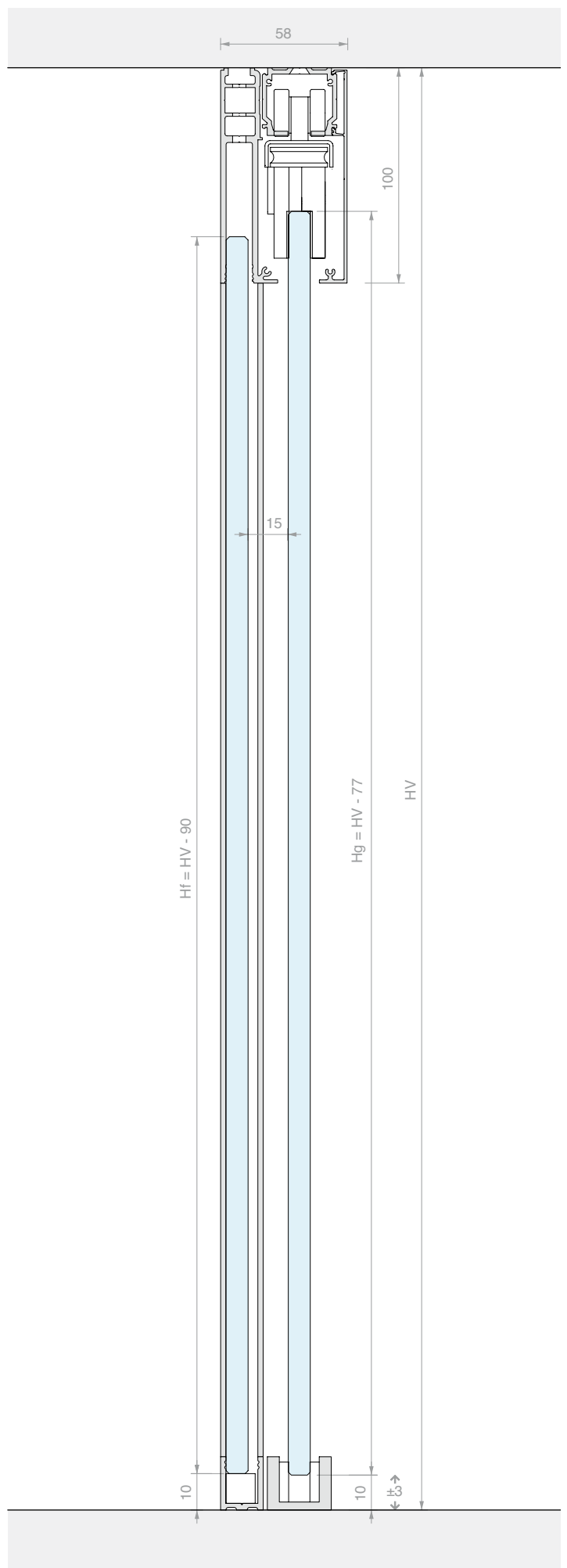
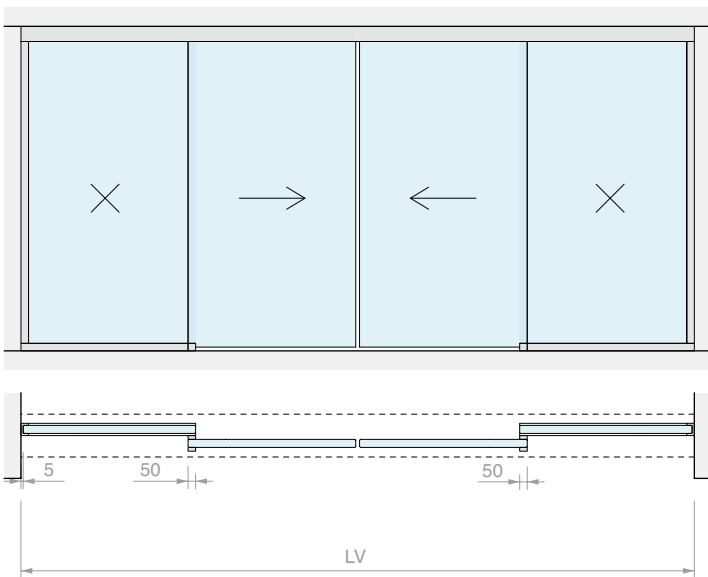
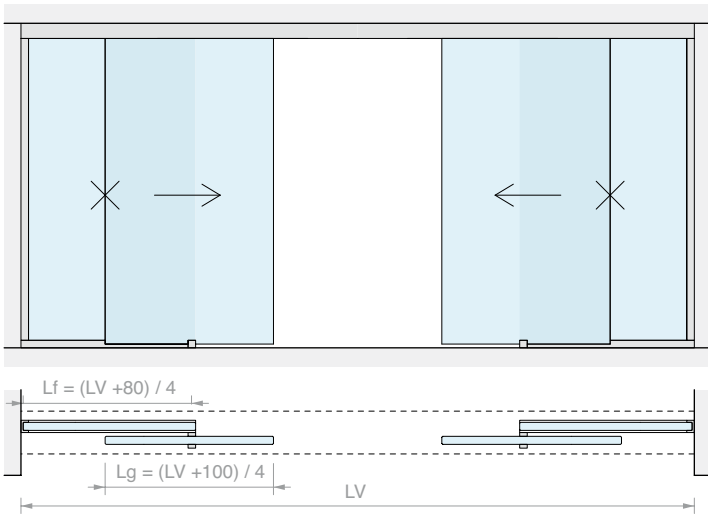
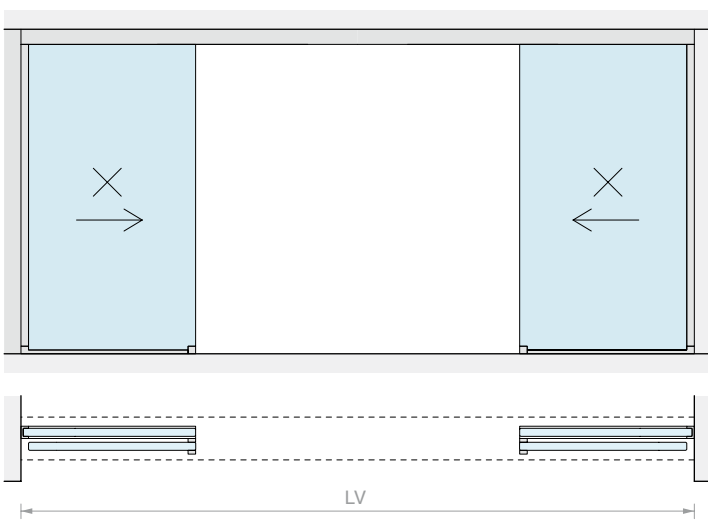
HV max: 3000 mm



Kit comprising:

Art.	Description	Qty
LM21.400	Ceiling fixing track	1 Pc
LM26100.400	Fixed glass profile	1 Pc
LM0100C.400	Track cover	1 Pc
LMC13.200	Finishing profile	1 Pc
LMU20.300	U profile	3 Pcs
LMU20TP	Finishing cap	2 Pcs
GTUP2	Glass holder gasket	10 m
CERPOS514	Clamp	2 Pcs
CERPOS514-C	Clamp for synchronisation	2 Pcs
CARVIT8X40-A2	Roller with screw and nut	4 Pcs
057.3073.071	End stop without buffer	4 Pcs
LMGF	Floor guide	2 Pcs
LMSIN-2AC500	Synchronisation kit	1 Pc
Optional		
042.3102.072	Softbreak damper, 20-60 kg	2 Pcs
042.3102.071	Softbreak damper, 61-100 kg	2 Pcs

Art.	LV max	Qty
LMV10011CF.400	3900 mm	1 Pc





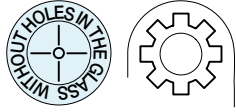




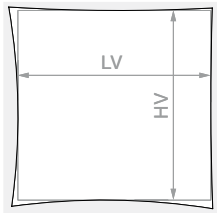
SLIDING DOOR KIT, CEILING FIXING DOUBLE DOOR WITH DRAGGING SYSTEM

Material: Aluminium

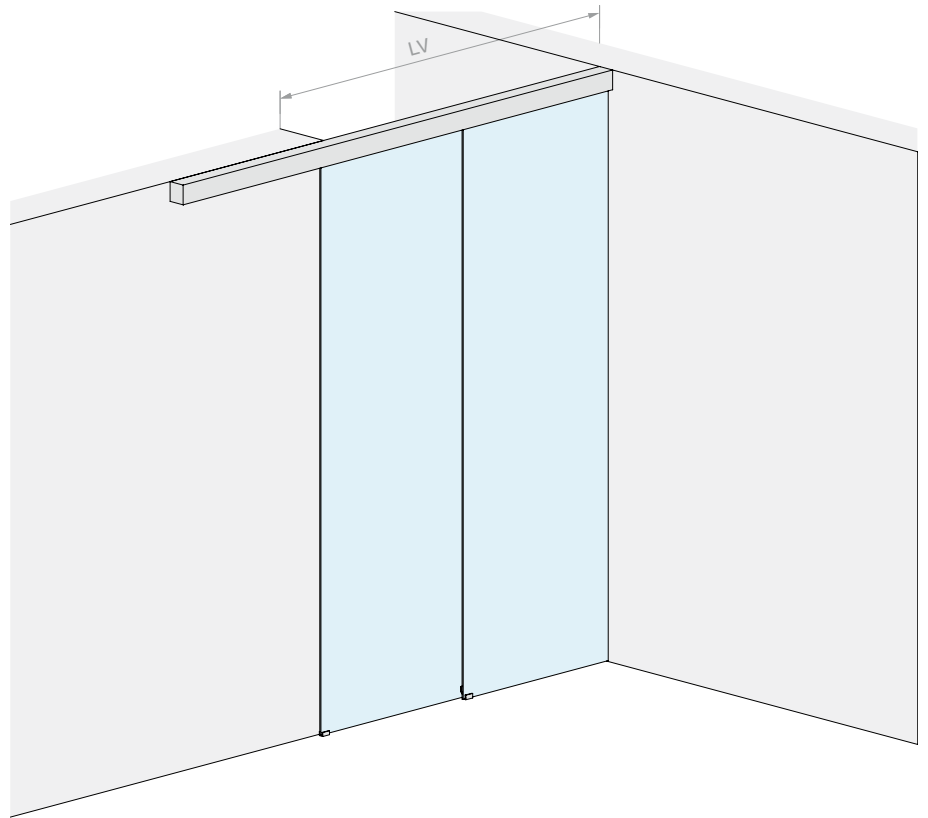
Finish: /6 /88 /97



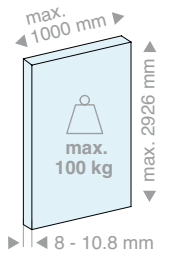
DOOR OPENING SIZE



HV max: 3000 mm



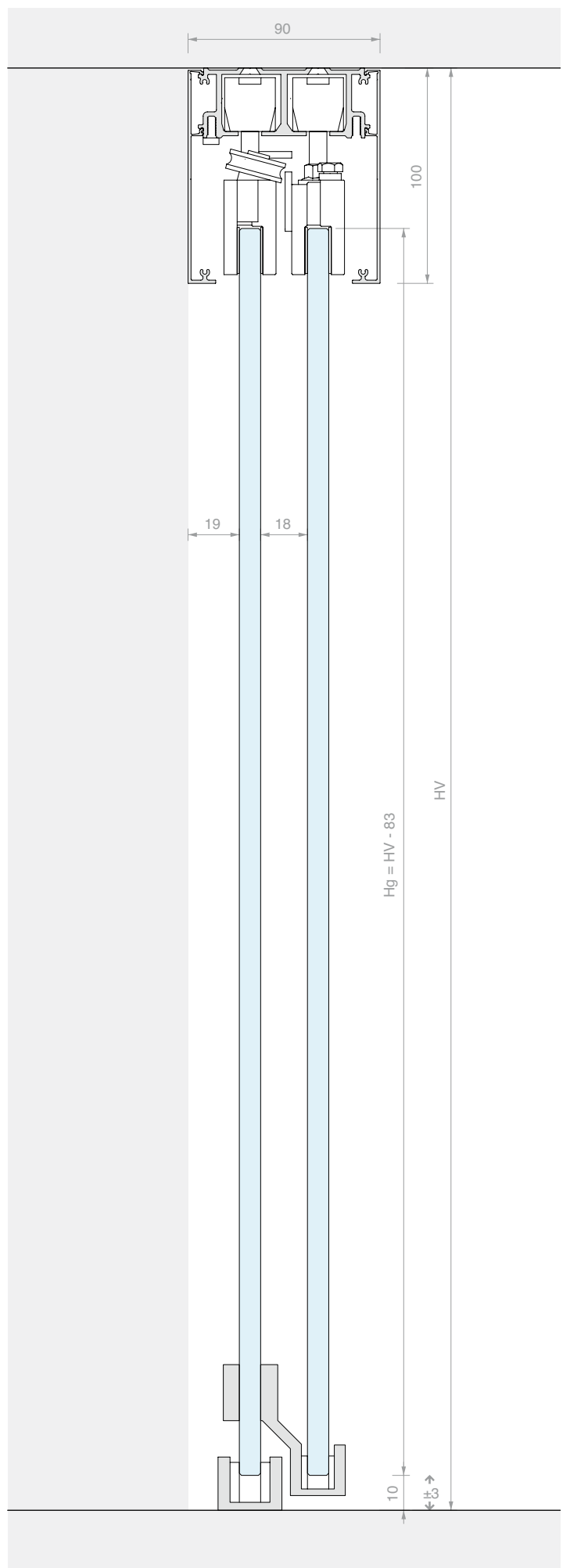
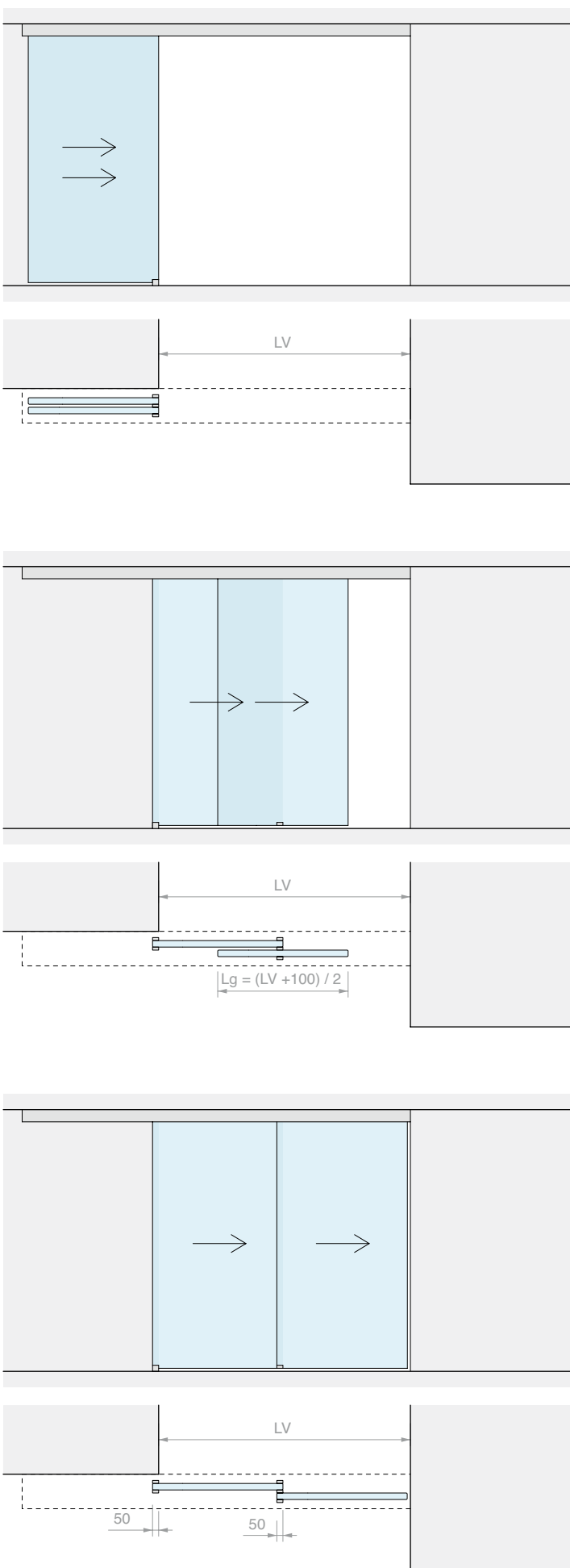
DOOR PANEL PANE



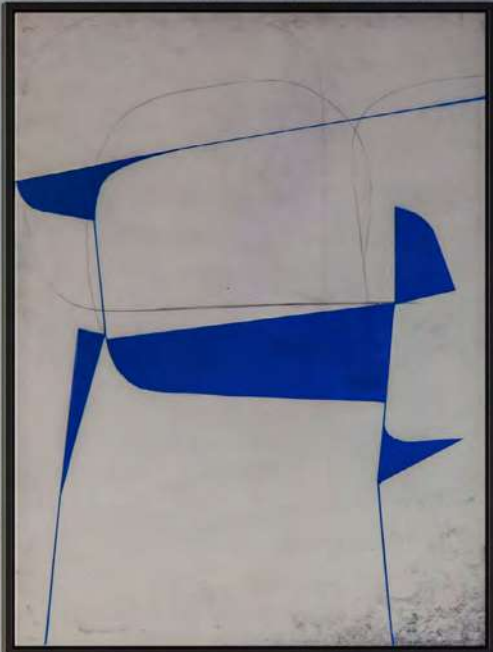
Kit comprising:

Art.	Description	Qty
LM2V080.300	2-way ceiling fixing track	1 Pc
LM0100C.300	Track cover	2 Pcs
LM10090TP33	Finishing cap	2 Pcs
CERPOS514	Clamp	1 Pc
CERPOS514-C	Clamp for synchronisation	2 Pcs
CERPOS514-T	Clamp for lead & follower	1 Pc
CARVIT8X50-A2	Roller with screw and nut	4 Pcs
057.3073.072	End stop with buffer	2 Pcs
057.3073.071	End stop without buffer	2 Pcs
LMSIN-2AT502	Synchronisation kit	1 Pc
Optional		
042.3102.071	Softbreak damper, for panels from 40 to 65 kg	1 or 2 Pcs

Art.	LV max	Qty
LMV10012.300	1900 mm	1 Pc





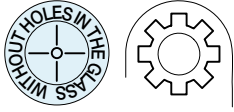




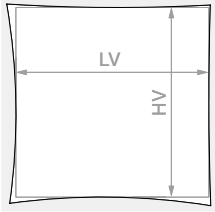
SLIDING DOOR KIT, CEILING FIXING DOUBLE DRAGGING DOOR AND FIXED GLASS

Material: Aluminium

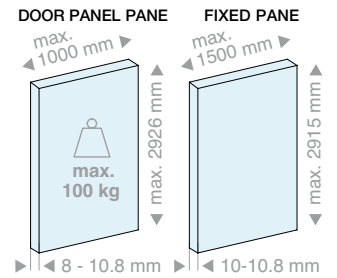
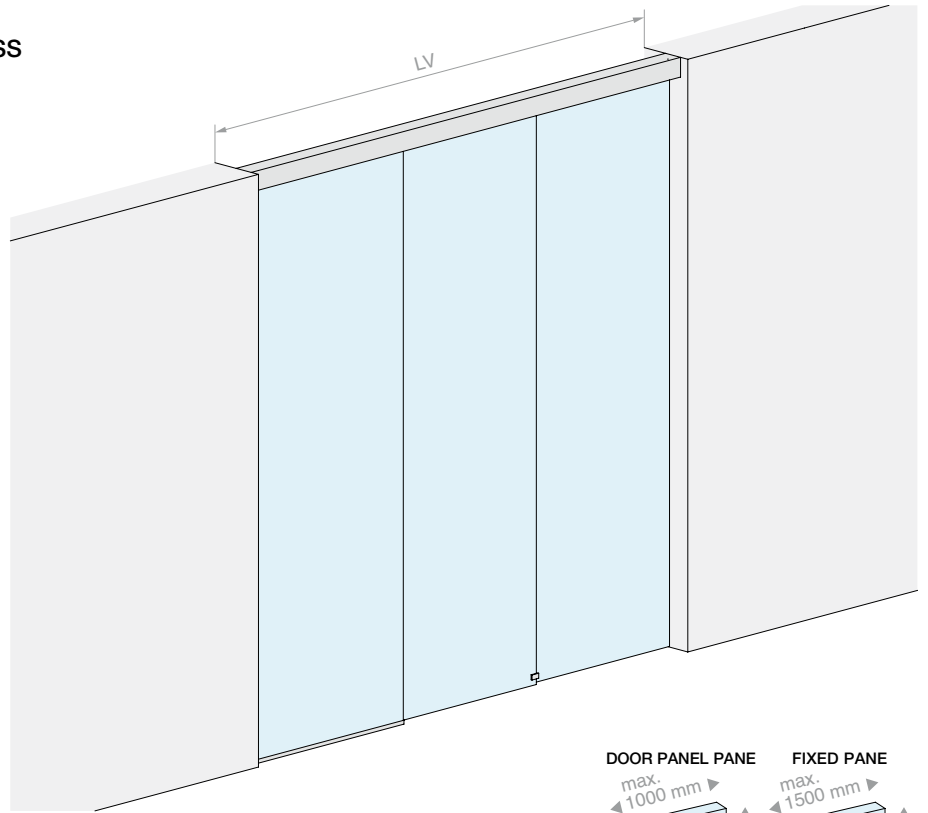
Finish: /6 /88 /97



DOOR OPENING SIZE



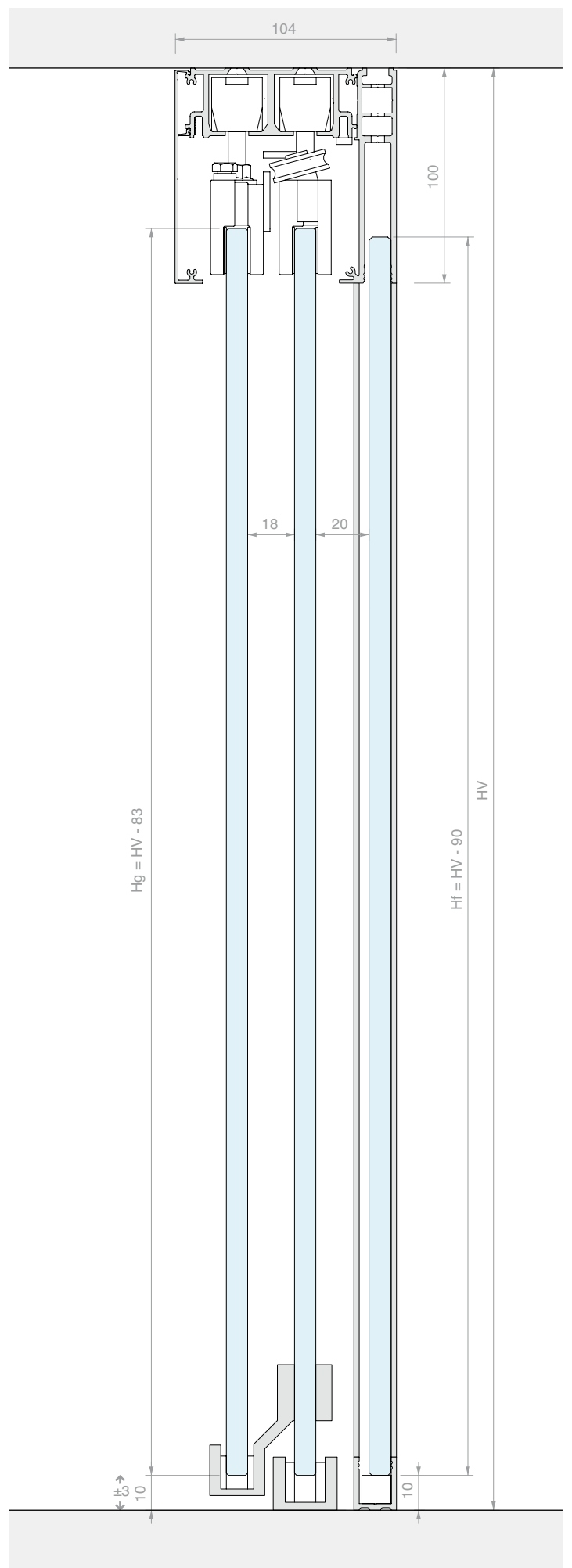
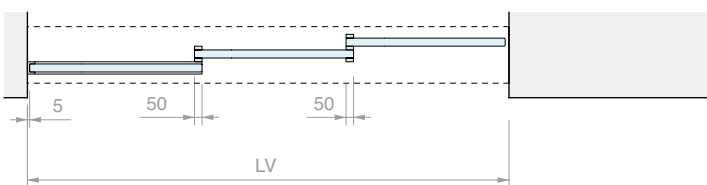
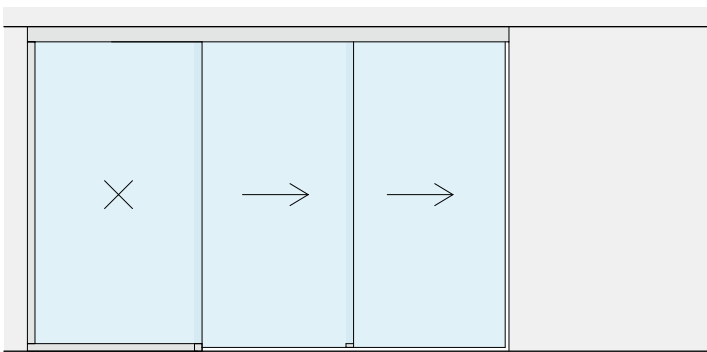
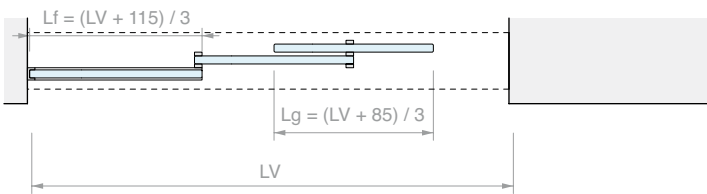
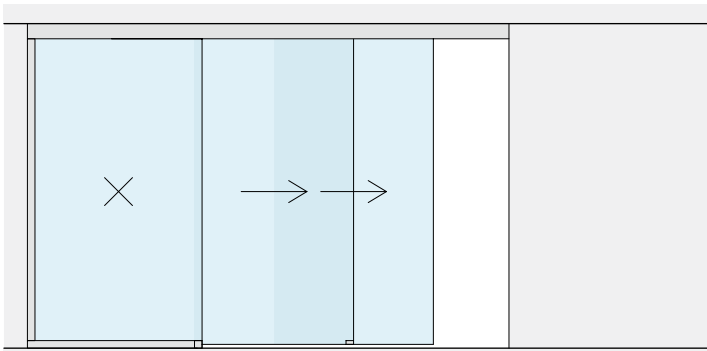
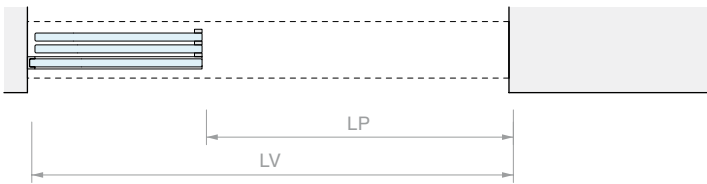
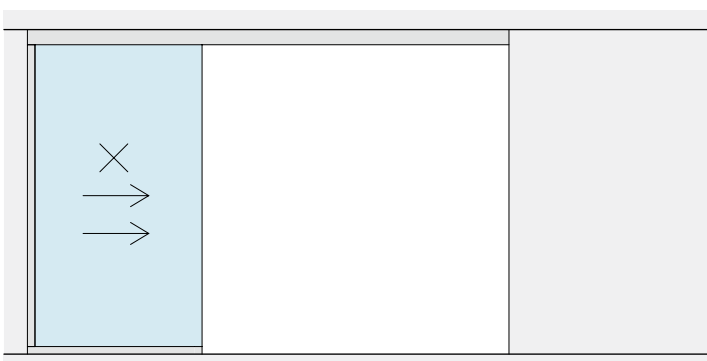
HV max: 3000 mm



Kit comprising:

Art.	Description	Qty
LM2V080.300	2-way ceiling fixing track	1 Pc
LM26100.300	Fixed glass profile	1 Pc
LM0100C.300	Track cover	1 Pc
LMC13.200	Finishing profile	1 Pc
LMU20.150	U profile	1 Pc
LMU20.300	U profile	1 Pc
LMU20TP	Finishing cap	1 Pc
GTUP2	Glass holder gasket	5 m
CERPOS514	Clamp	1 Pc
CERPOS514-C	Clamp for synchronisation	2 Pcs
CERPOS514-T	Clamp for lead & follower	1 Pc
CARVIT8X50-A2	Roller with screw and nut	4 Pcs
057.3073.072	End stop with buffer	2 Pcs
057.3073.071	End stop without buffer	2 Pcs
LMSIN-2AT502	Synchronisation kit	1 Pc
Optional		
042.3102.071	Softbreak damper, for panels from 40 to 65 kg	1 or 2 Pcs

Art.	LV max	Qty
LMV10012F.300	2850 mm	1 Pcs





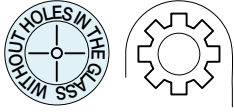




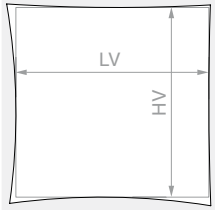
SLIDING DOOR KIT, CEILING FIXING TRIPLE DOOR WITH DRAGGING SYSTEM

Material: Aluminium

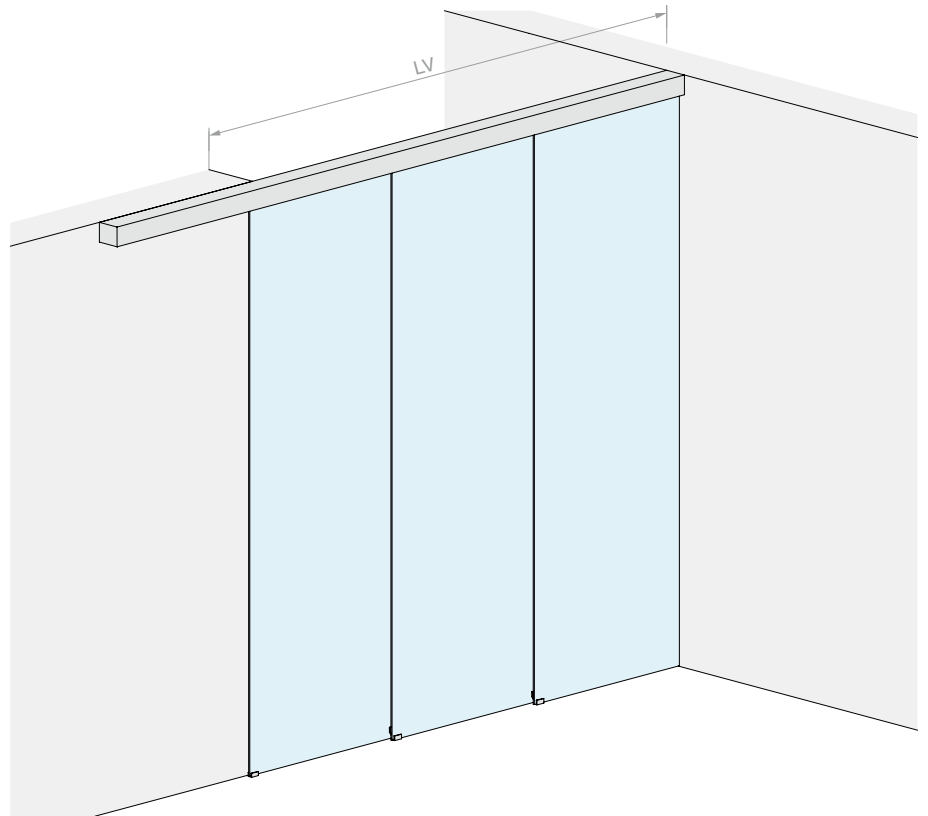
Finish: /6 /88 /97



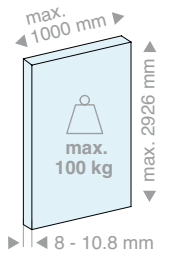
DOOR OPENING SIZE



HV max: 3000 mm



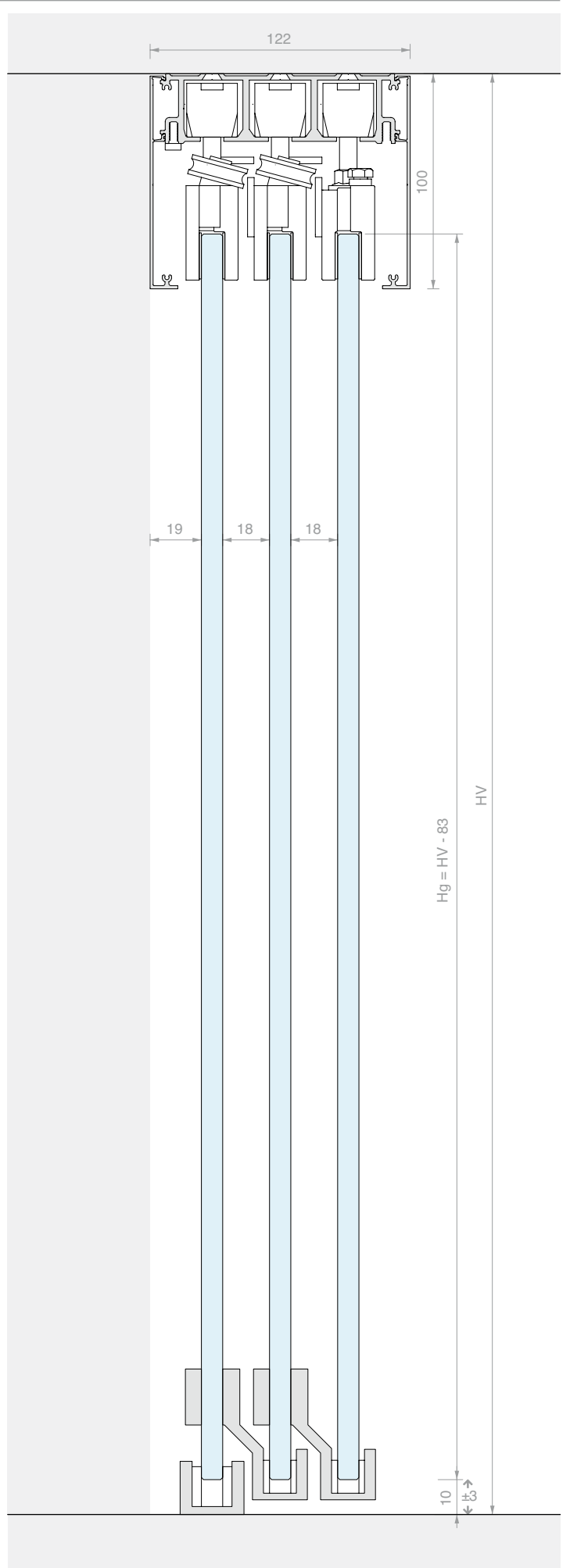
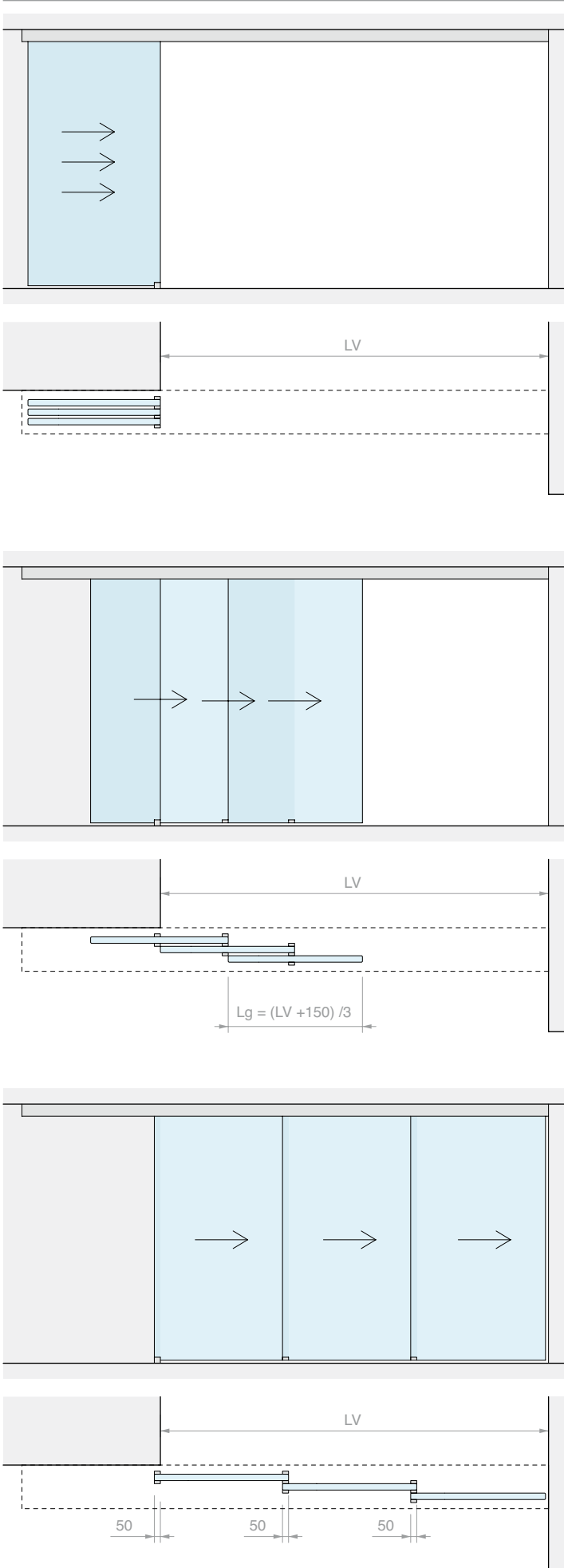
DOOR PANEL PANE



Kit comprising:

Art.	Description	Qty
LM3V112.400	3-way ceiling fixing track	1 Pc
LM0100C.400	Track cover	2 Pcs
LM10022TP33	Finishing cap	2 Pcs
CERPOS514	Clamp	1 Pc
CERPOS514-C	Clamp for synchronisation	3 Pcs
CERPOS514-T	Clamp for lead & follower	2 Pcs
CARVIT8X50-A2	Roller with screw and nut	6 Pcs
057.3073.072	End stop with buffer	2 Pcs
057.3073.071	End stop without buffer	4 Pcs
LMSIN-3AT503	Synchronisation kit	1 Pc
Optional		
042.3102.071	Softbreak damper, for panels from 30 to 55 kg	1 or 2 Pcs

Art.	LV max	Qty
LMV10013.400	2850 mm	1 Pc





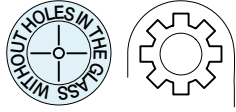




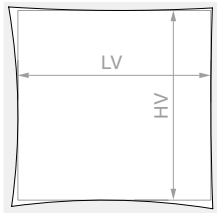
SLIDING DOOR KIT, CEILING FIXING TRIPLE DRAGGING DOOR AND FIXED GLASS

Material: Aluminium

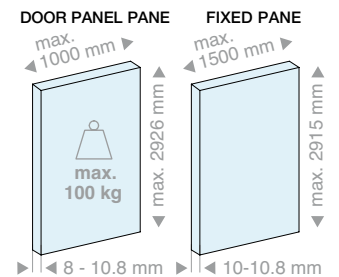
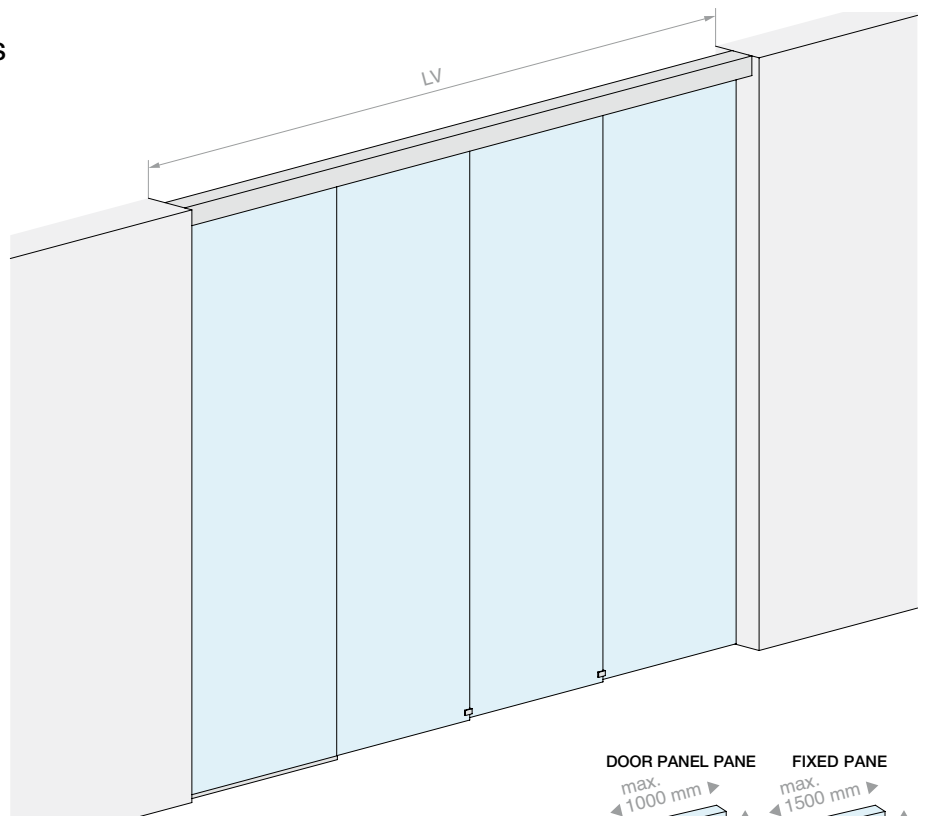
Finish: /6 /88 /97



DOOR OPENING SIZE



HV max: 3000 mm

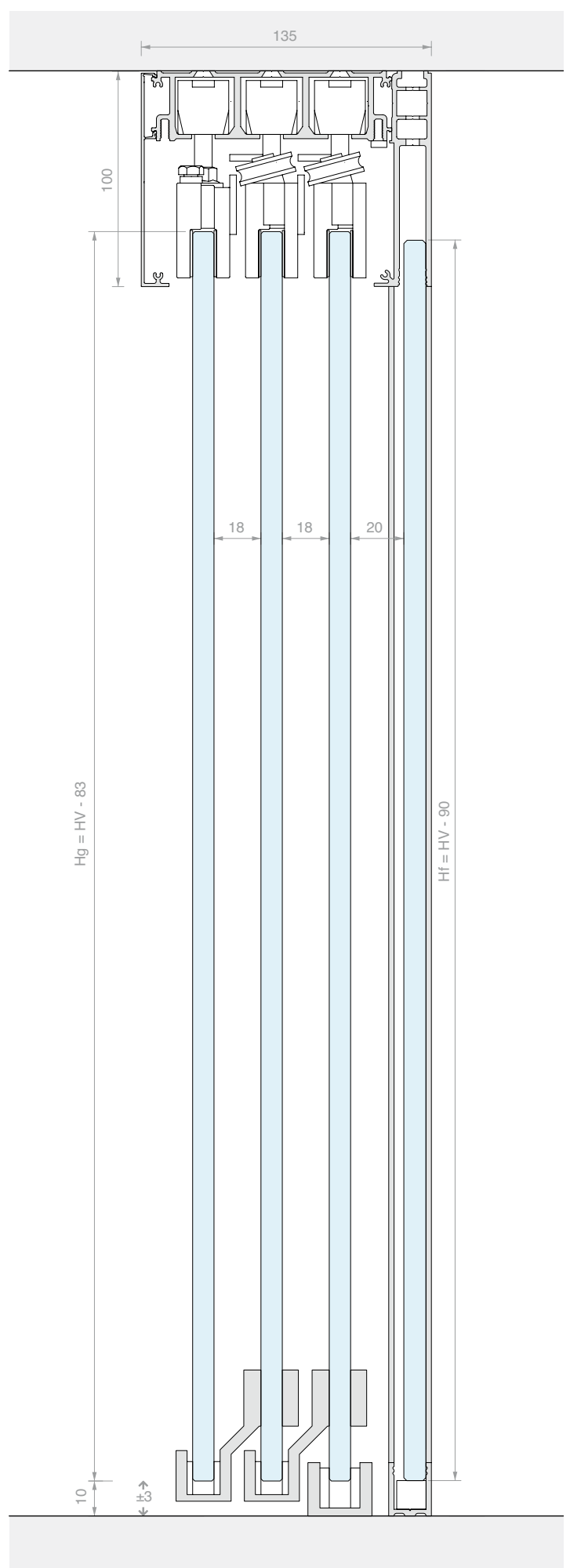
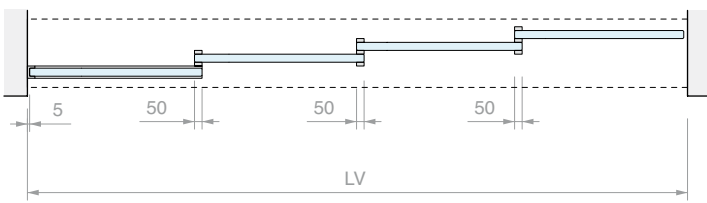
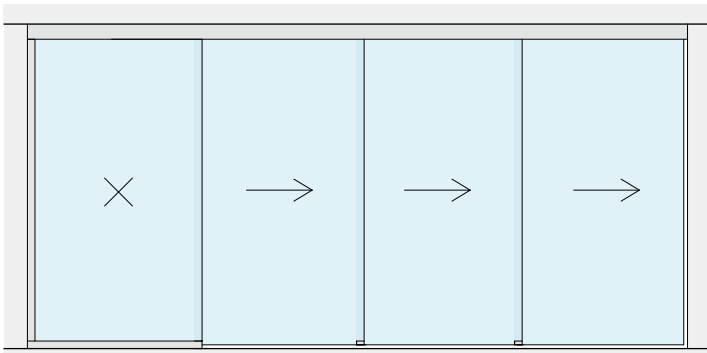
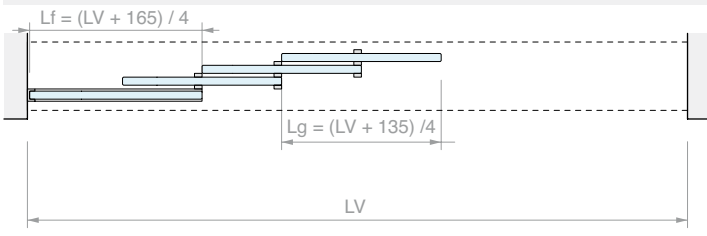
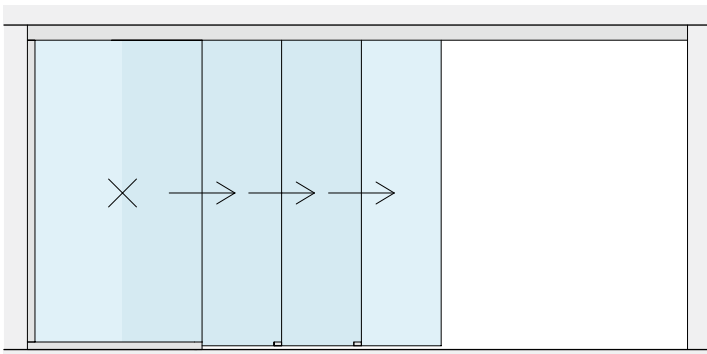


Kit comprising:

Art.	Description	Qty
LM3V112.400	2-way ceiling fixing track	1 Pc
LM26100.400	Fixed glass profile	1 Pc
LM0100C.400	Track cover	1 Pc
LMC13.300	Finishing profile	1 Pc
LMU20.150	U profile	1 Pc
LMU20.300	U profile	1 Pc
LMU20TP	Finishing cap	1 Pc
GTUP2	Glass holder gasket	5 m
CERPOS514	Clamp	1 Pc
CERPOS514-C	Clamp for synchronisation	3 Pcs
CERPOS514-T	Clamp for lead & follower	2 Pcs
CARVIT8X50-A2	Roller with screw and nut	6 Pcs
057.3073.072	End stop with buffer	2 Pcs
057.3073.071	End stop without buffer	4 Pcs
LMSIN-3AT503	Synchronisation kit	1 Pc

Optional		
042.3102.071	Softbreak damper, for panels from 40 to 65 kg	1 or 2 Pcs

Art.	LV max	Qty
LMV10013F.400	3850 mm	1 Pc







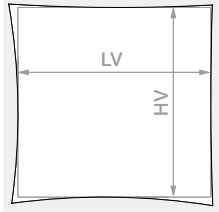


**WALL FIXING SLIDING DOOR KIT
SINGLE DOOR WITH VISIBLE CLAMPS**

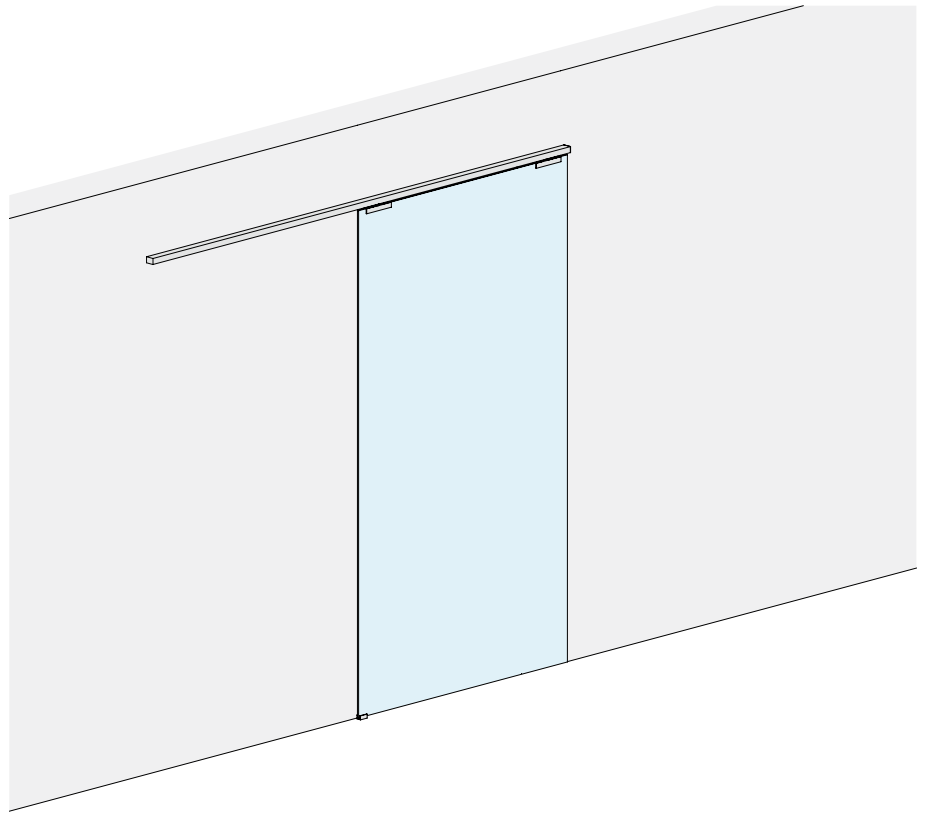
Material: Aluminium

Finish: /6 /88 /97

DOOR OPENING SIZE



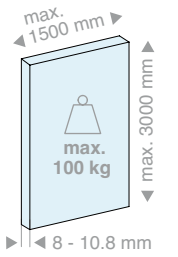
HV max: 3000 mm



DOOR PANEL PANE



DOOR PANEL PANE



Kit comprising:

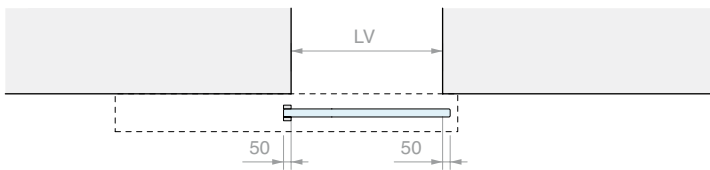
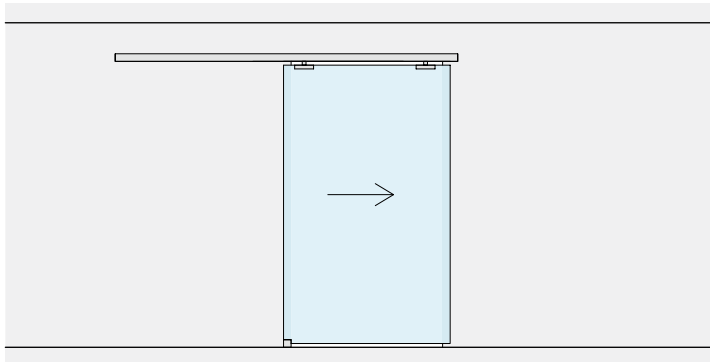
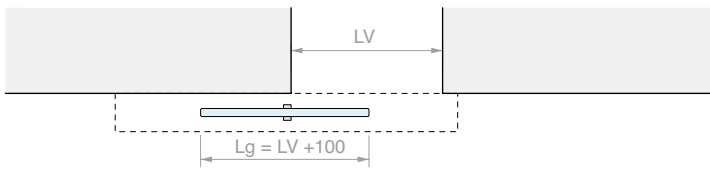
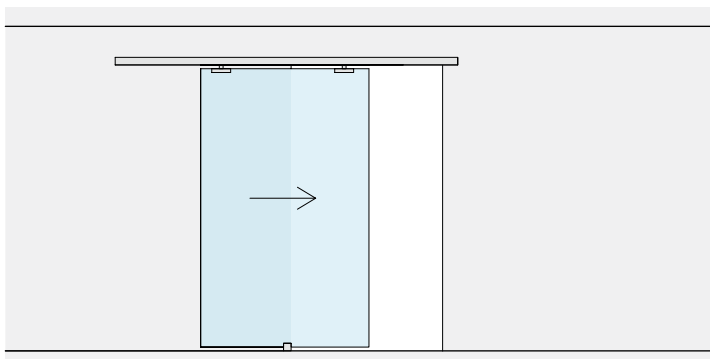
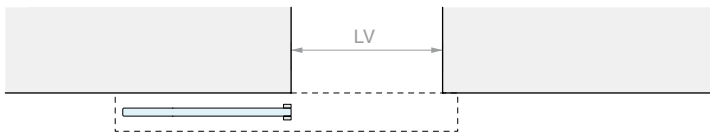
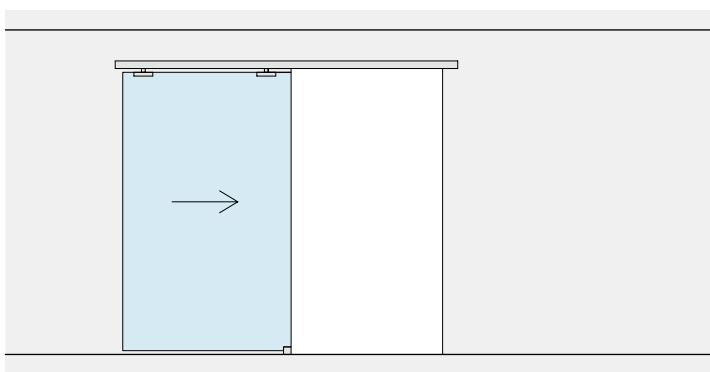
Art.	Description	Qty
LM3110.200	Wall fixing track	1 Pc
LM3120.200	Track cover	1 Pc
LM31042TP32	Finishing cap	2 Pcs
CERPOS170COV	Clamp	2 Pcs
057.3114.071	Roller with screw and nut	2 Pcs
057.3073.072	End stop with buffer	2 Pcs
LMGF	Floor guide	1 Pc
Optional		
042.3102.072	Softbreak damper, 20-60 kg	1 Pc
042.3102.071	Softbreak damper, 61-100 kg	1 Pc

Kit comprising:

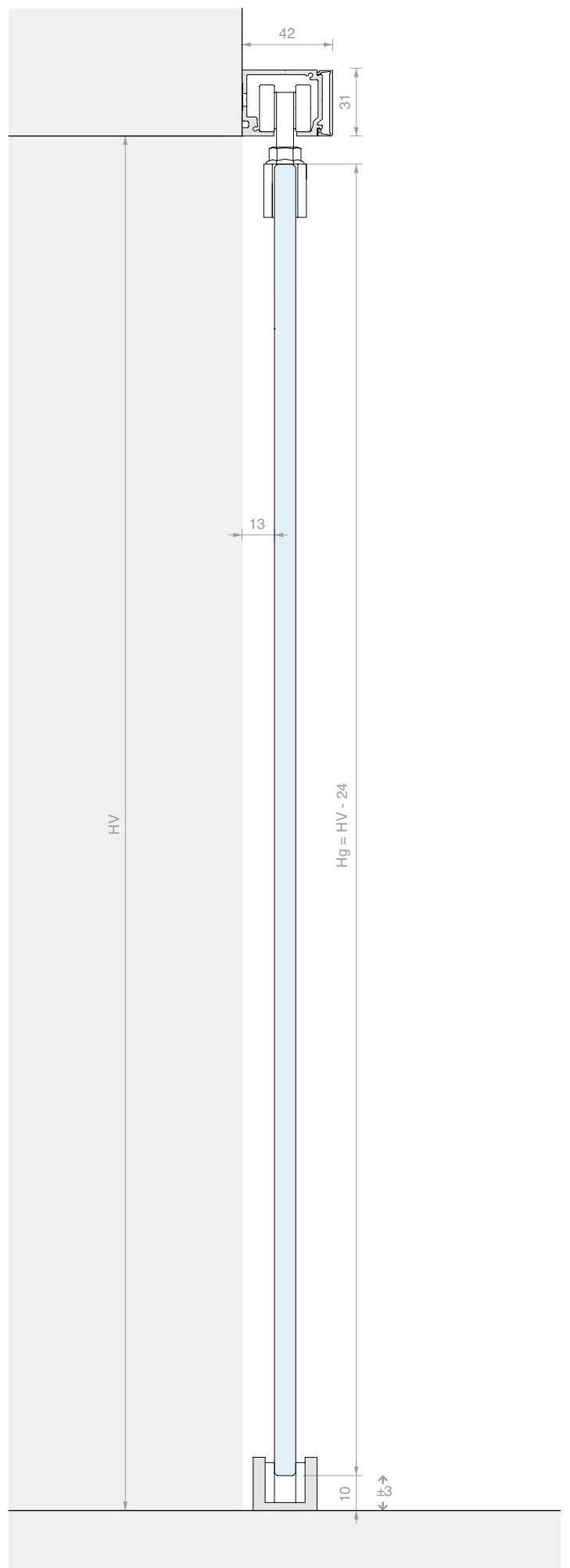
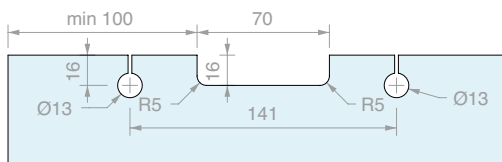
Art.	Description	Qty
LM3110.300	Wall fixing track	1 Pc
LM3120.300	Track cover	1 Pc
LM31042TP32	Finishing cap	2 Pcs
CERPOS170COV	Clamp	2 Pcs
057.3114.071	Roller with screw and nut	2 Pcs
057.3073.072	End stop with buffer	2 Pcs
LMGF	Floor guide	1 Pc
Optional		
042.3102.072	Softbreak damper, 20-60 kg	1 Pc
042.3102.071	Softbreak damper, 61-100 kg	1 Pc

Art.	LV max	Qty
LMV3121.200	900 mm	1 Pc

Art.	LV max	Qty
LMV3121.300	1400 mm	1 Pc



MACHINING OF GLASS FOR CERPOS170



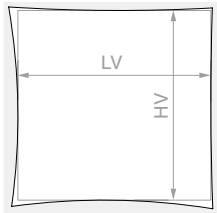


WALL FIXING SLIDING DOOR KIT SINGLE DOOR WITH LOW COVER

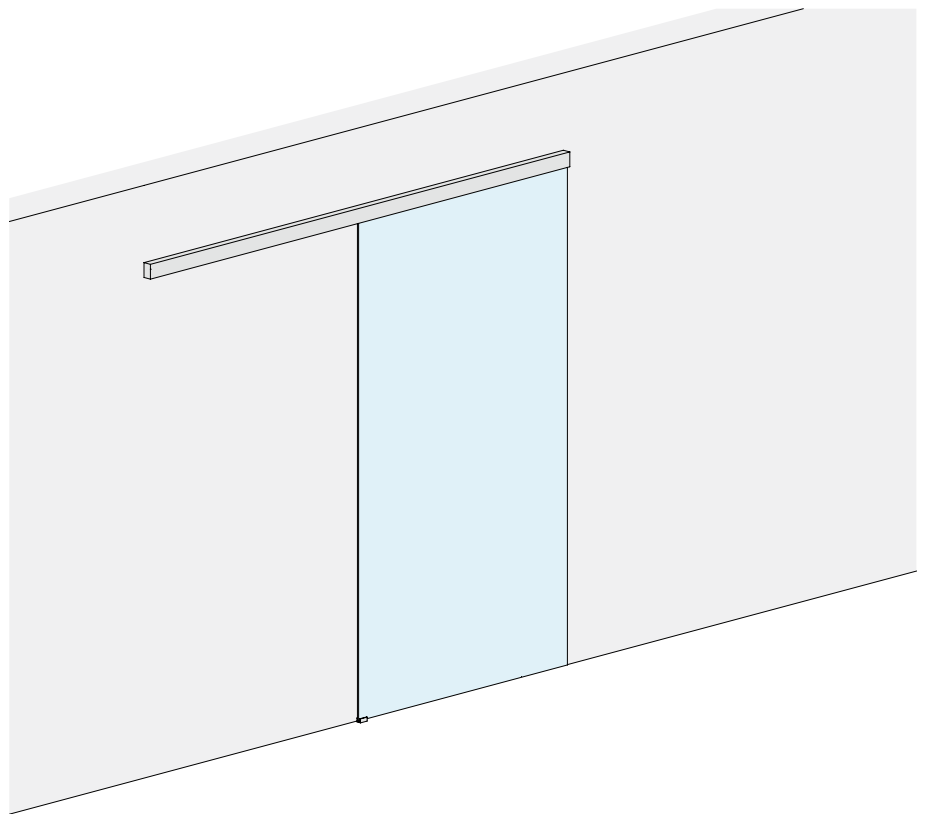
Material: Aluminium

Finish: /6 /88 /97

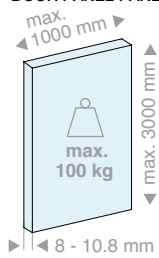
DOOR OPENING SIZE



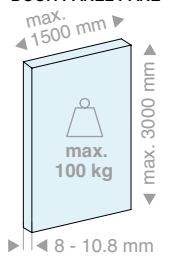
HV max: 3000 mm



DOOR PANEL PANE



DOOR PANEL PANE



Kit comprising:

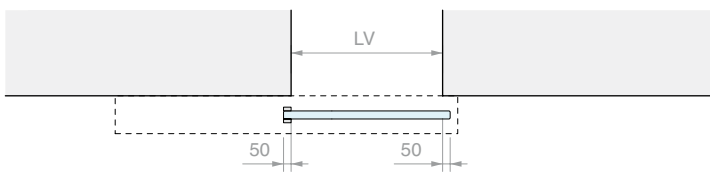
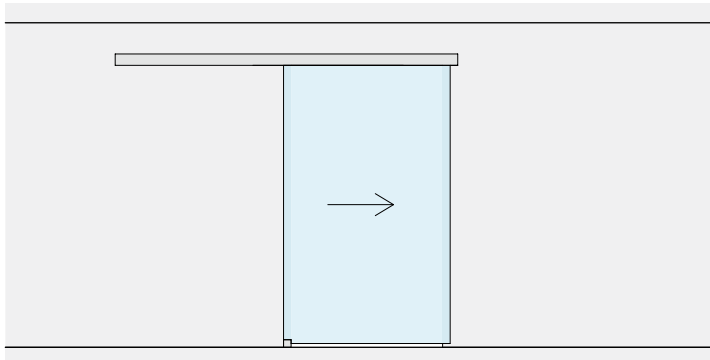
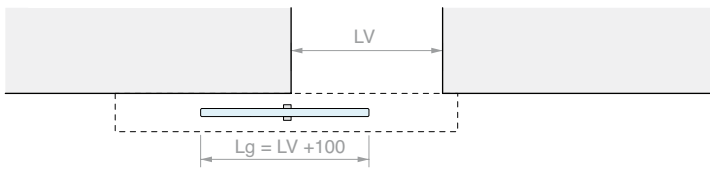
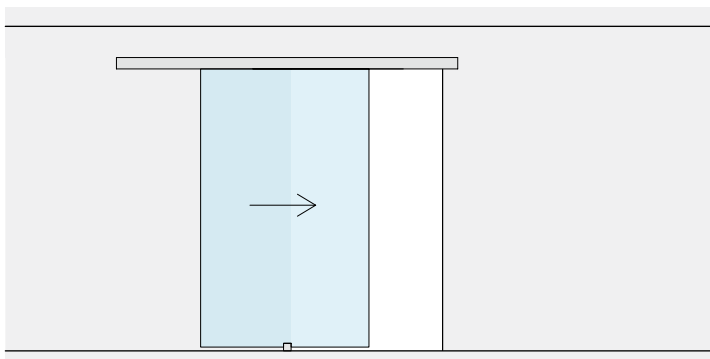
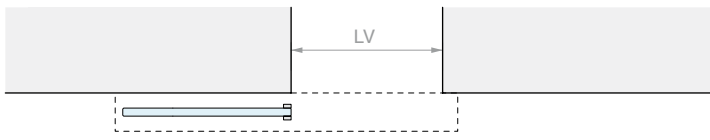
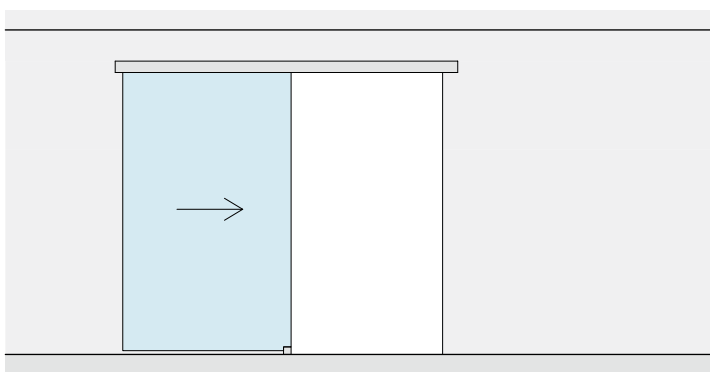
Art.	Description	Qty
LM3110.200	Wall fixing track	1 Pc
LM0075C.200	Track cover	1 Pc
LM75042TP33	Finishing cap	2 Pcs
CERPOS170ALL	Clamp	2 Pcs
057.3114.071	Roller with screw and nut	2 Pcs
057.3073.072	End stop with buffer	2 Pcs
LMGF	Floor guide	1 Pc
Optional		
042.3102.072	Softbreak damper, 20-60 kg	1 Pc
042.3102.071	Softbreak damper, 61-100 kg	1 Pc

Kit comprising:

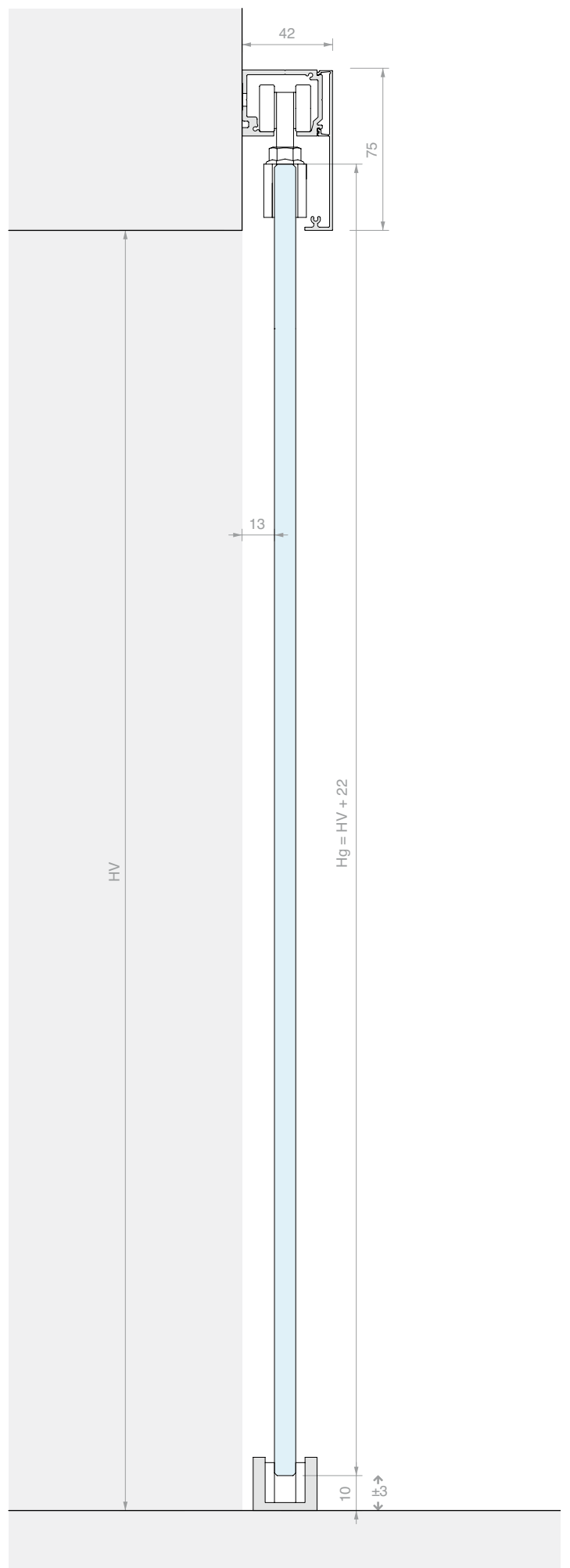
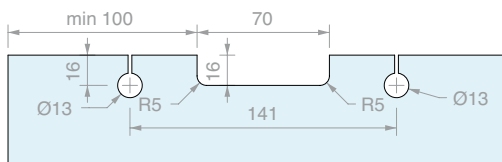
Art.	Description	Qty
LM3110.300	Wall fixing track	1 Pc
LM0075C.300	Track cover	1 Pc
LM75042TP33	Finishing cap	2 Pcs
CERPOS170ALL	Clamp	2 Pcs
057.3114.071	Roller with screw and nut	2 Pcs
057.3073.072	End stop with buffer	2 Pcs
LMGF	Floor guide	1 Pc
Optional		
042.3102.072	Softbreak damper, 20-60 kg	1 Pc
042.3102.071	Softbreak damper, 61-100 kg	1 Pc

Art.	LV max	Qty
LMV7521.200	900 mm	1 Pc

Art.	LV max	Qty
LMV7521.300	1400 mm	1 Pc



MACHINING OF GLASS FOR CERPOS170





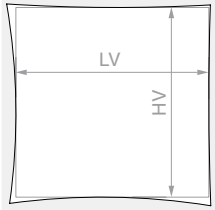
**WALL FIXING SLIDING DOOR KIT
SINGLE DOOR WITH HIGH COVER**

Material: Aluminium

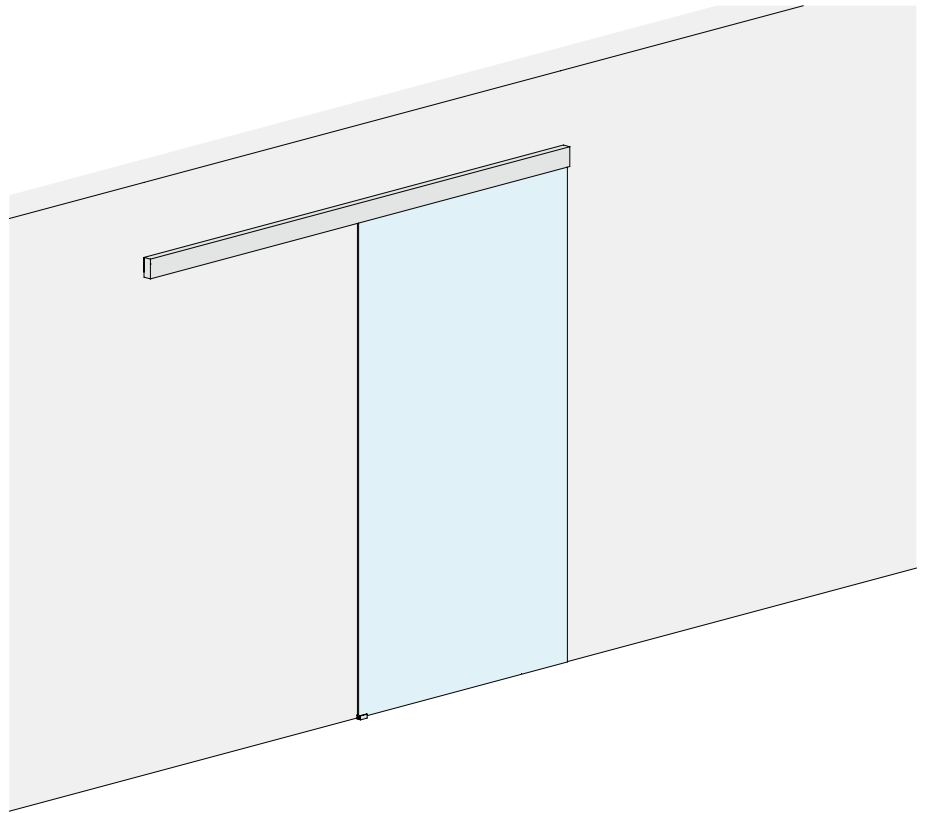
Finish: /6 /88 /97



DOOR OPENING SIZE



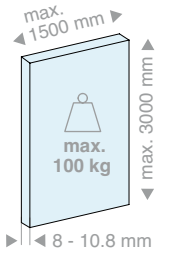
HV max: 3000 mm



DOOR PANEL PANE



DOOR PANEL PANE



Kit comprising:

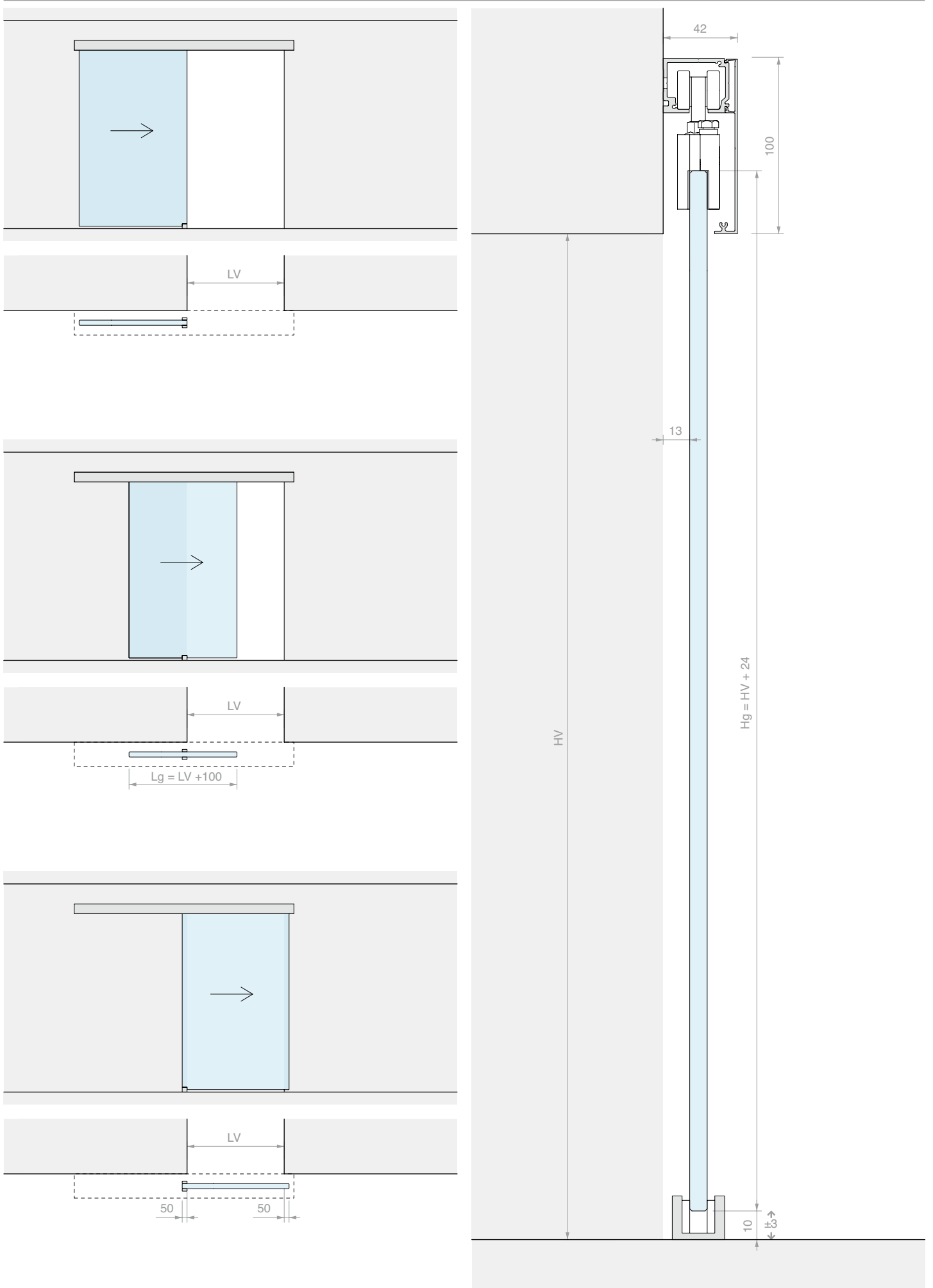
Art.	Description	Qty
LM3110.200	Wall fixing track	1 Pc
LM0100C.200	Track cover	1 Pc
LM10042TP33	Finishing cap	2 Pcs
CERPOS514	Clamp	2 Pcs
CARVIT8X40-A2	Roller with screw and nut	2 Pcs
057.3073.072	End stop with buffer	2 Pcs
LMGF	Floor guide	1 Pc
Optional		
042.3102.072	Softbreak damper, 20-60 kg	1 Pc
042.3102.071	Softbreak damper, 61-100 kg	1 Pc

Kit comprising:

Art.	Description	Qty
LM3110.300	Wall fixing track	1 Pc
LM0100C.300	Track cover	1 Pc
LM10042TP33	Finishing cap	2 Pcs
CERPOS514	Clamp	2 Pcs
CARVIT8X40-A2	Roller with screw and nut	2 Pcs
057.3073.072	End stop with buffer	2 Pcs
LMGF	Floor guide	1 Pc
Optional		
042.3102.072	Softbreak damper, 20-60 kg	1 Pc
042.3102.071	Softbreak damper, 61-100 kg	1 Pc

Art.	LV max	Qty
LMV10021.200	900 mm	1 Pc

Art.	LV max	Qty
LMV10021.300	1400 mm	1 Pc







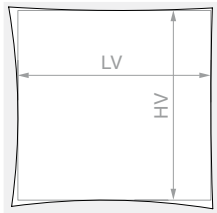


SLIDING DOOR KIT, CEILING FIXING DOUBLE SLIDING DOOR WITH VISIBLE CLAMPS

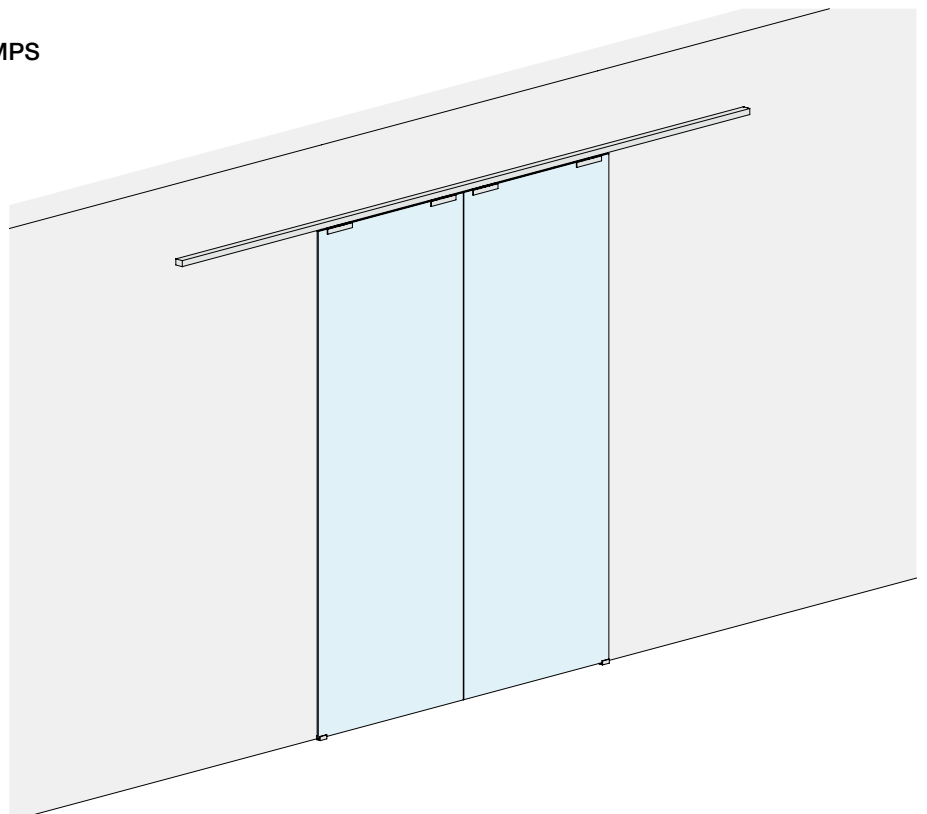
Material: Aluminium

Finish: /6 /88 /97

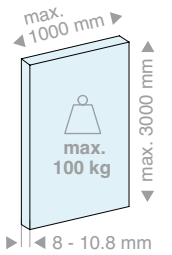
DOOR OPENING SIZE



HV max: 3000 mm



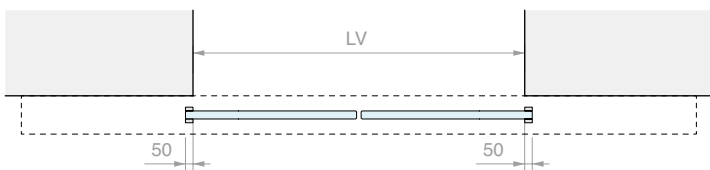
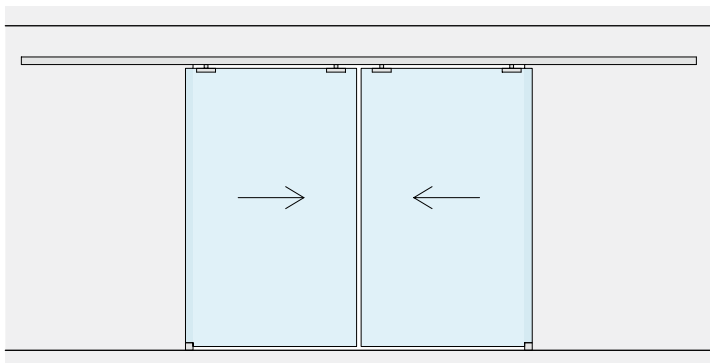
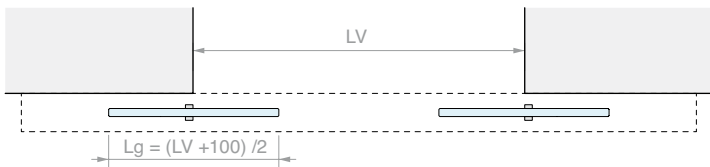
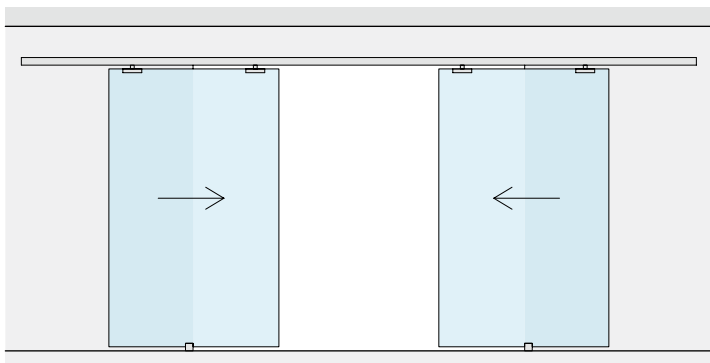
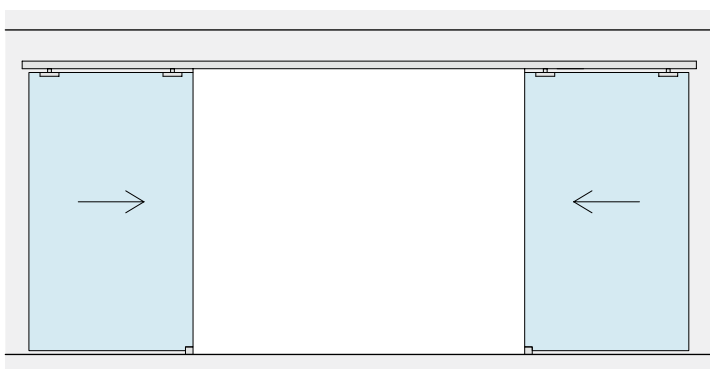
DOOR PANEL PANE



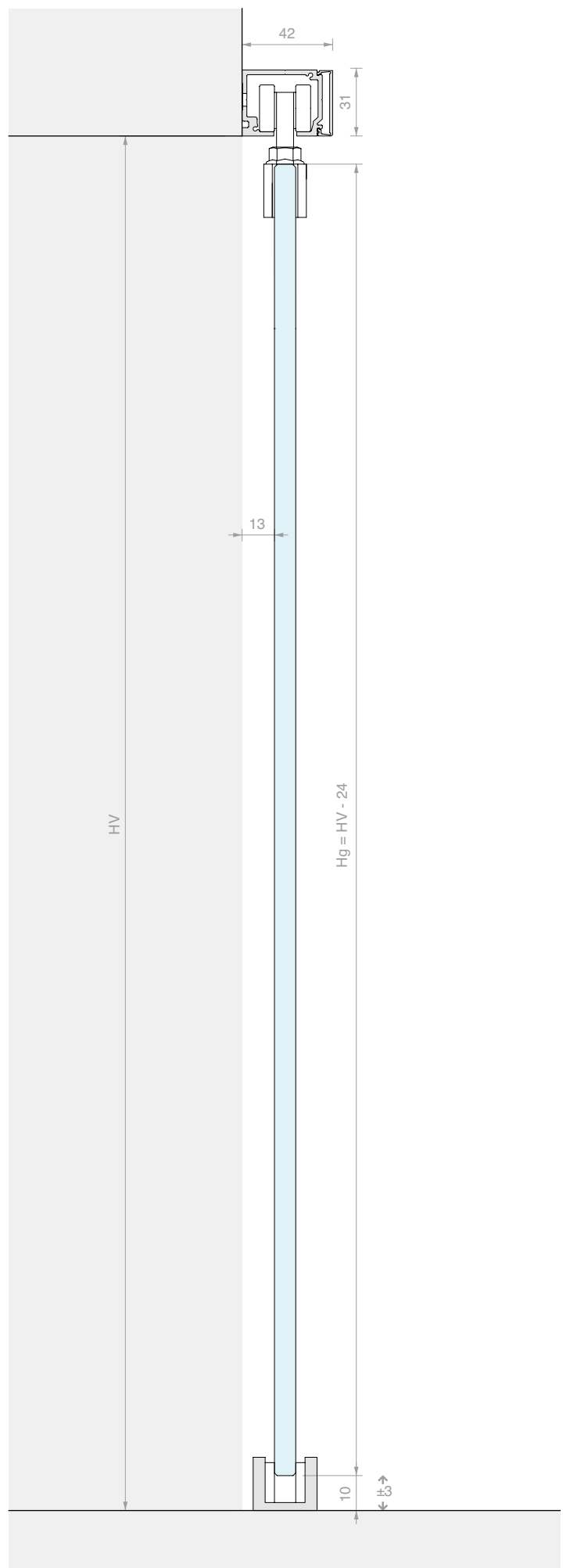
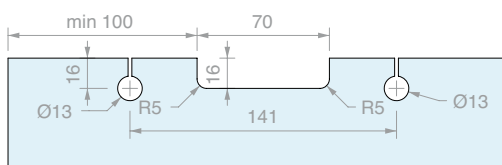
Kit comprising:

Art.	Description	Qty
LM3110.400	Wall fixing track	1 Pc
LM3120.400	Track cover	1 Pc
LM31042TP32	Finishing cap	2 Pcs
CERPOS170COV	Clamp	4 Pcs
057.3114.071	Roller with screw and nut	4 Pcs
057.3073.072	End stop with buffer	4 Pcs
LMGF	Floor guide	2 Pcs
Optional		
042.3102.072	Softbreak damper, 20-60 kg	2 Pcs
042.3102.071	Softbreak damper, 61-100 kg	2 Pcs

Art.	LV max	Qty
LMV3121C.400	1900 mm	1 Pc



MACHINING OF GLASS FOR CERPOS170

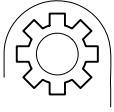




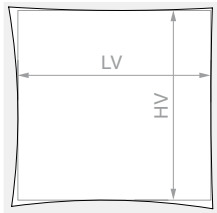
WALL FIXING SLIDING DOOR KIT DOUBLE DOOR SYNCHRONISED WITH LOW COVER

Material: Aluminium

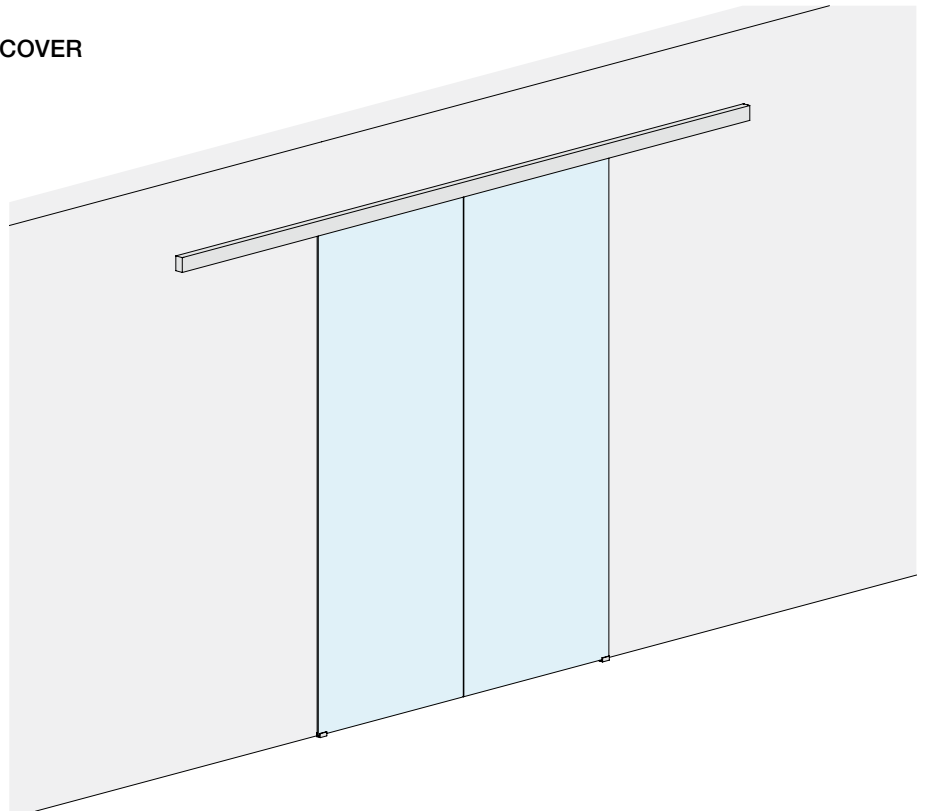
Finish: /6 /88 /97



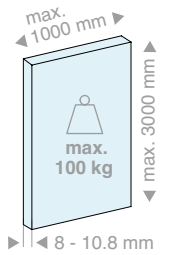
DOOR OPENING SIZE



HV max: 3000 mm



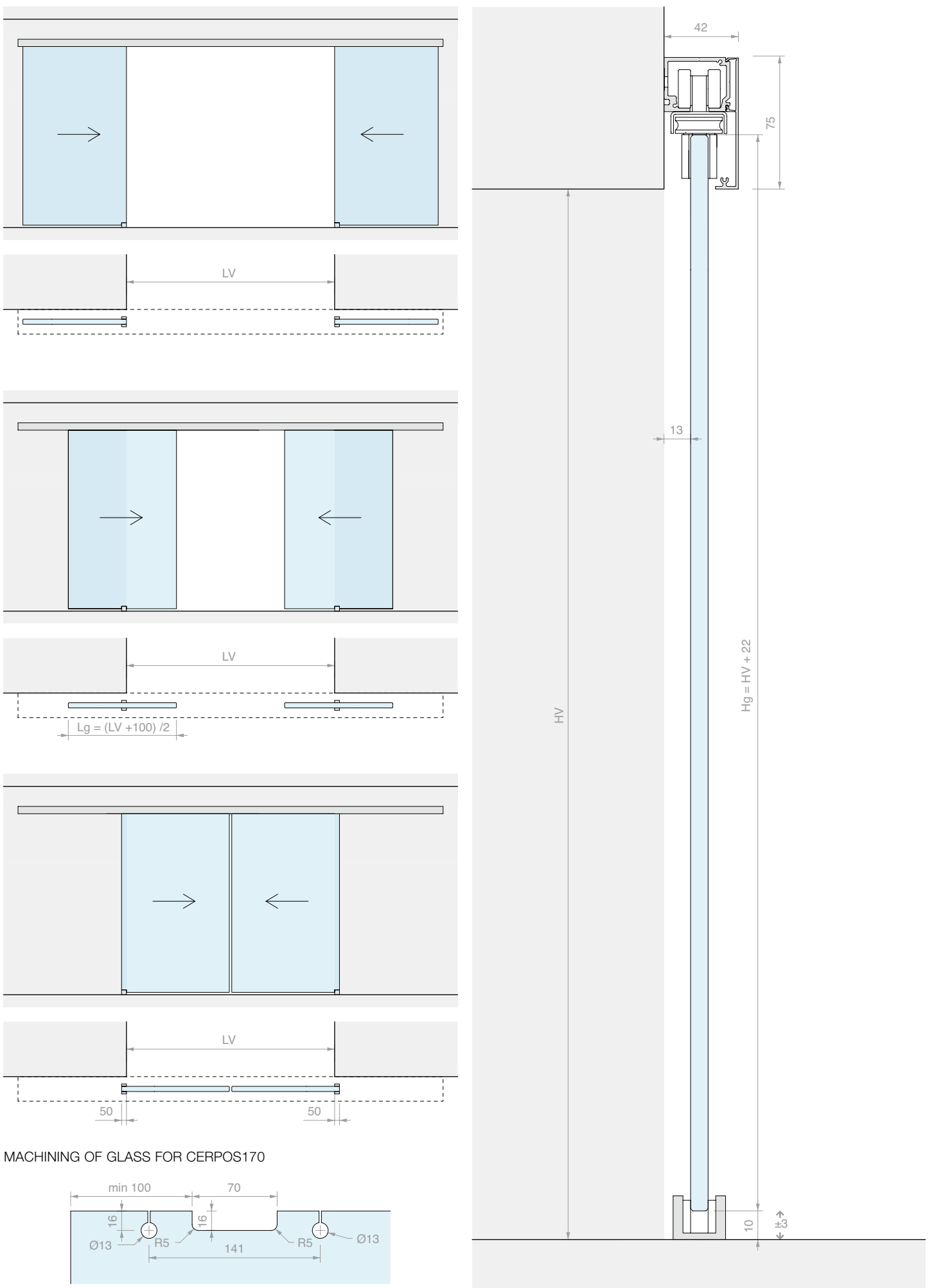
DOOR PANEL PANE



Kit comprising:

Art.	Description	Qty
LM3110.400	Wall fixing track	1 Pc
LM0075C.400	Track cover	1 Pc
LM75042TP33	Finishing cap	2 Pcs
CERPOS170ALL	Clamp	2 Pcs
CERPOS170SYNC	Clamp for synchronisation	2 Pcs
057.3114.071	Roller with screw and nut	4 Pcs
057.3073.071	End stop without buffer	4 Pcs
LMGF	Floor guide	2 Pcs
LMSIN-2AC170	Synchronisation kit	1 Pc
Optional		
042.3102.072	Softbreak damper, 20-60 kg	2 Pcs
042.3102.071	Softbreak damper, 61-100 kg	2 Pcs

Art.	LV max	Qty
LMV7521C.400	1900 mm	1 Pc

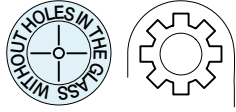




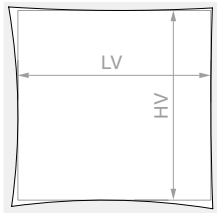
WALL FIXING SLIDING DOOR KIT DOUBLE DOOR SYNCHRONISED WITH HIGH COVER

Material: Aluminium

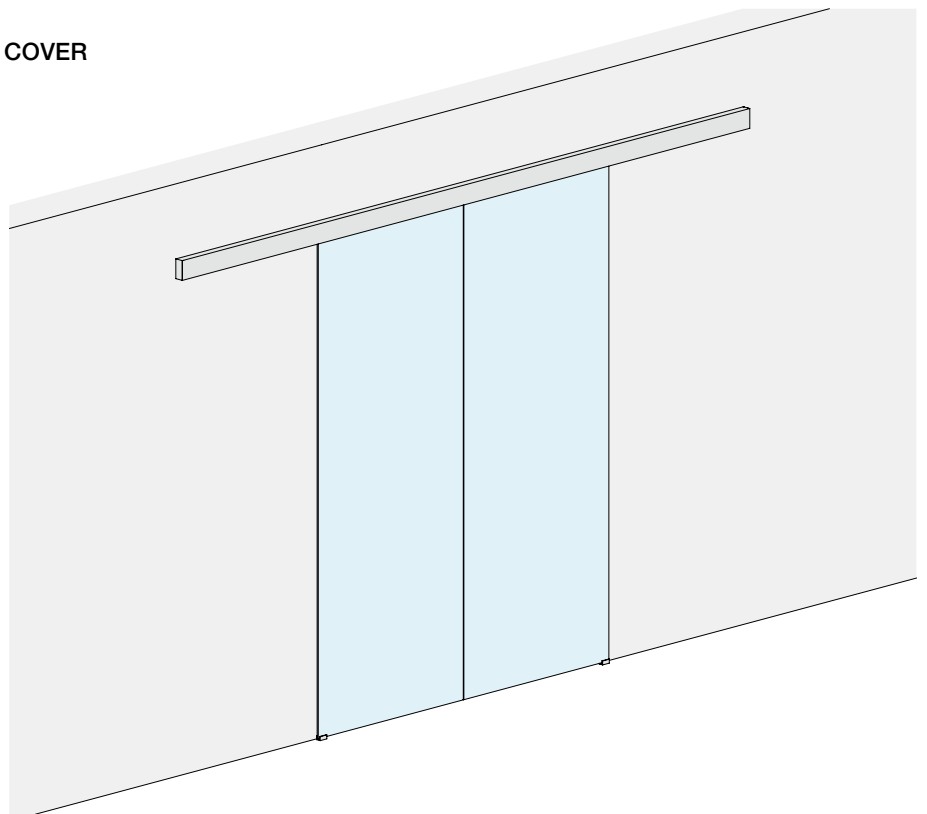
Finish: /6 /88 /97



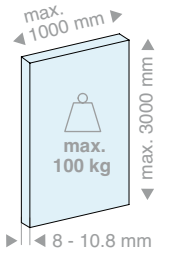
DOOR OPENING SIZE



HV max: 3000 mm



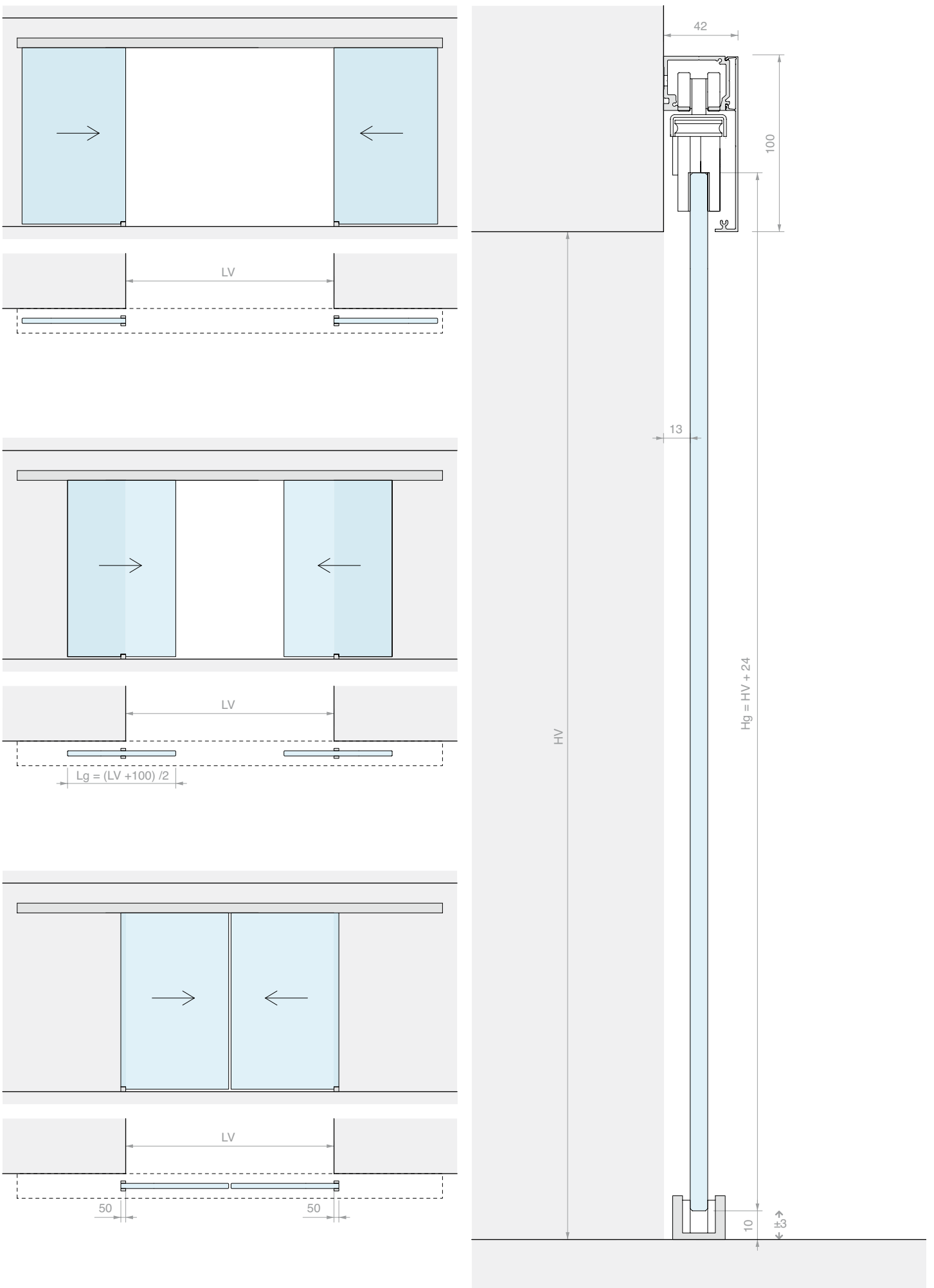
DOOR PANEL PANE



Kit comprising:

Art.	Description	Qty
LM3110.400	Wall fixing track	1 Pc
LM0100C.400	Track cover	1 Pc
LM10042TP33	Finishing cap	2 Pcs
CERPOS514	Clamp	2 Pcs
CERPOS514-C	Clamp for synchronisation	2 Pcs
CARVIT8X40-A2	Roller with screw and nut	4 Pcs
057.3073.071	End stop without buffer	4 Pcs
LMGF	Floor guide	2 Pcs
LMSIN-2AC500	Synchronisation kit	1 Pc
Optional		
042.3102.072	Softbreak damper, 20-60 kg	2 Pcs
042.3102.071	Softbreak damper, 61-100 kg	2 Pcs

Art.	LV max	Qty
LMV10021C.400	1900 mm	1 Pc





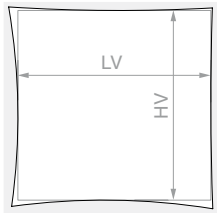


**WALL FIXING SLIDING DOOR KIT
SINGLE DOOR AND FIXED GLASS WITH LOW COVER**

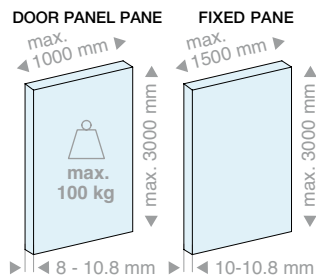
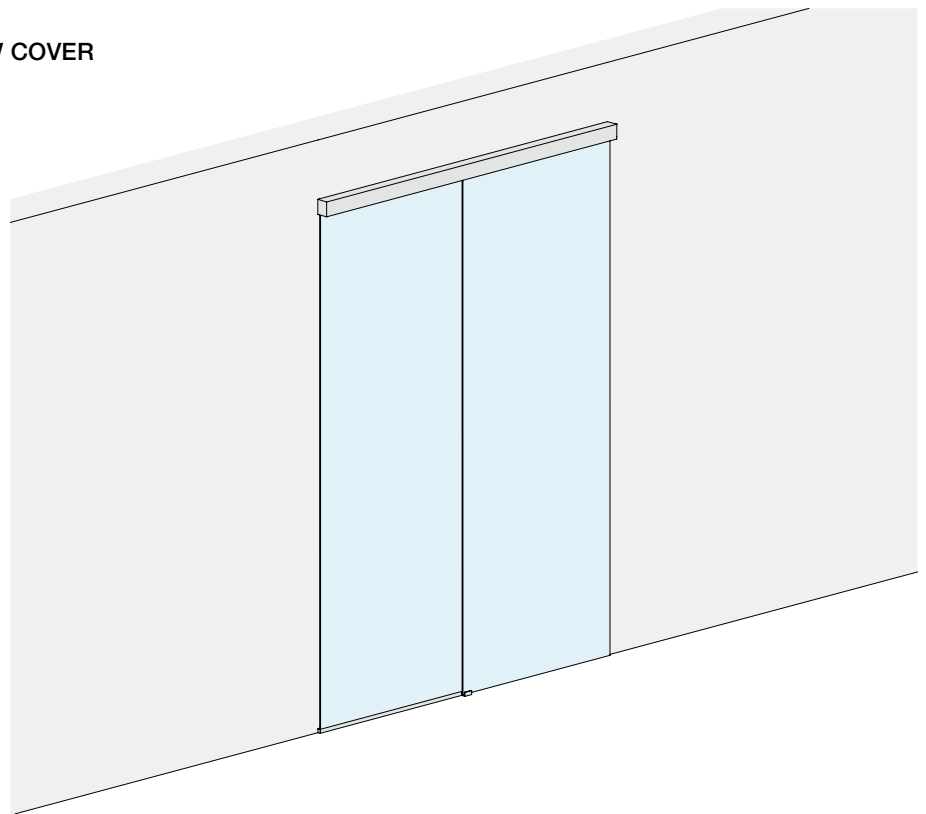
Material: Aluminium

Finish: /6 /88 /97

DOOR OPENING SIZE

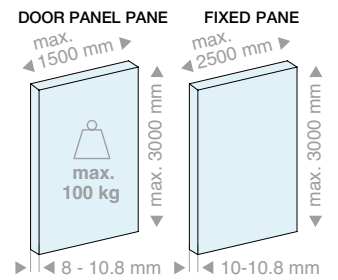


HV max: 3000 mm



Kit comprising:

Art.	Description	Qty
LM3110.200	Wall fixing track	1 Pc
LM26075.200	Fixed glass profile	1 Pc
LM0075C.200	Track cover	1 Pc
LMC13.200	Finishing profile	1 Pc
LMU20.150	U profile	1 Pc
LMU20TP	Finishing cap	2 Pcs
GTUP2	Glass holder gasket	2 m
LM75059TP33	Finishing cap	2 Pcs
CERPOS170ALL	Clamp	2 Pcs
057.3114.071	Roller with screw and nut	2 Pcs
057.3073.072	End stop with buffer	2 Pcs
LMGF	Floor guide	1 Pc
Optional		
042.3102.072	Softbreak damper, 20-60 kg	1 Pc
042.3102.071	Softbreak damper, 61-100 kg	1 Pc

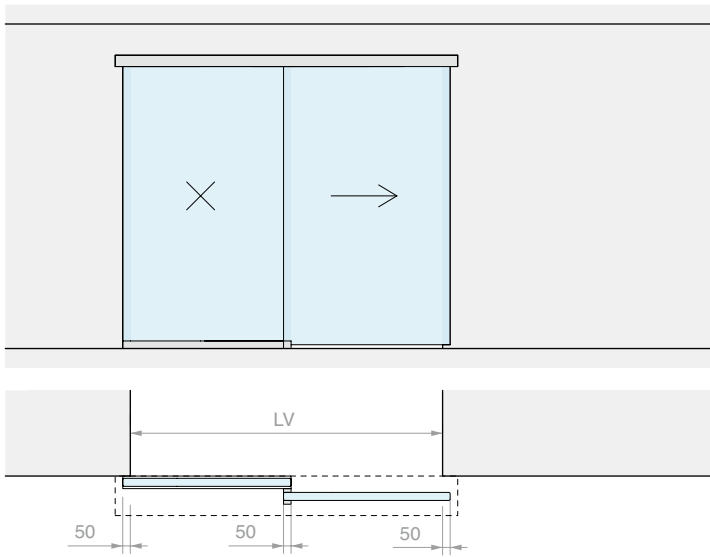
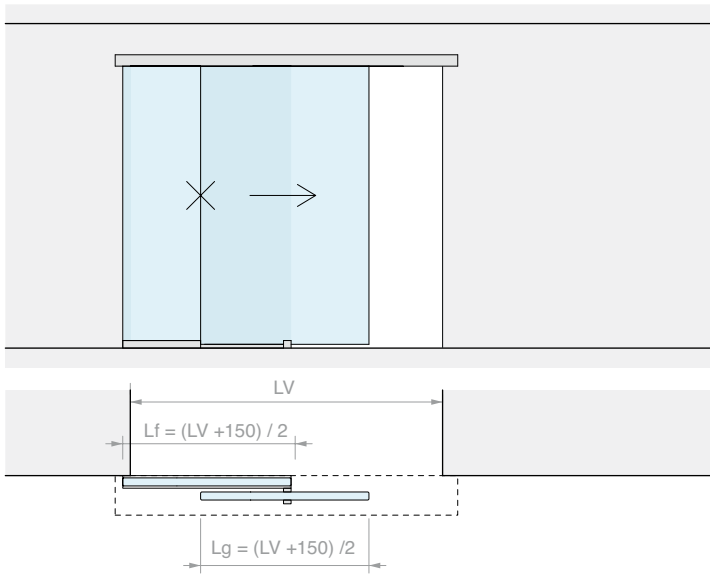
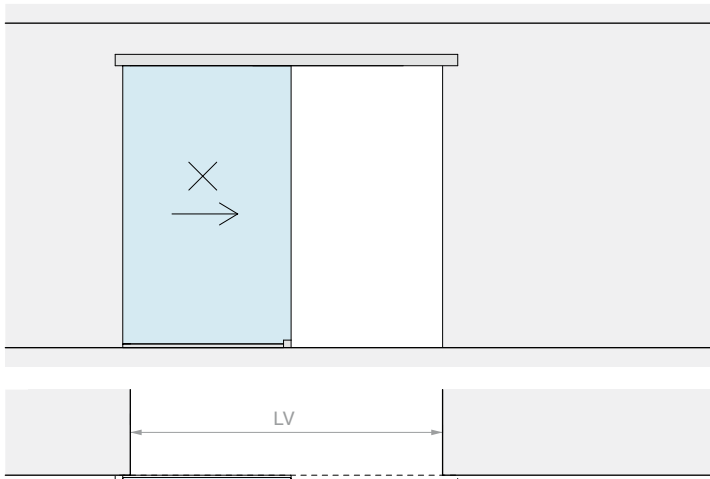


Kit comprising:

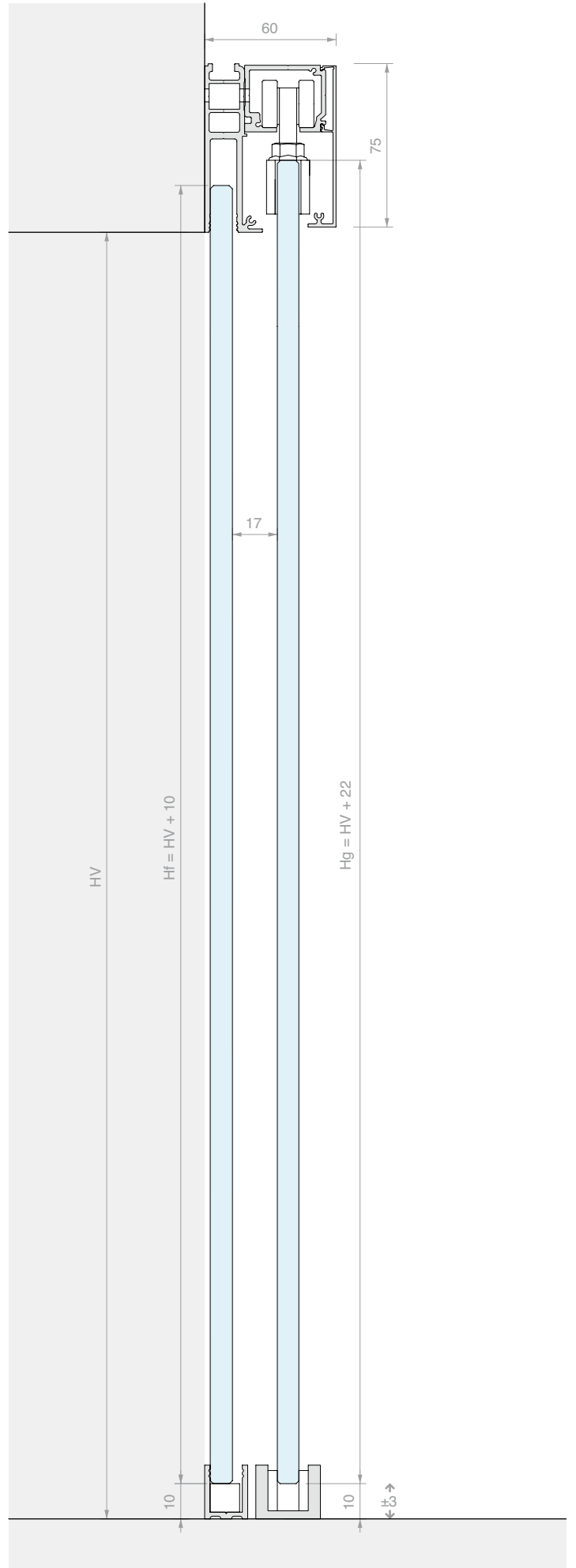
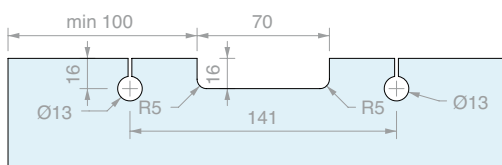
Art.	Description	Qty
LM3110.300	Wall fixing track	1 Pc
LM26075.300	Fixed glass profile	1 Pc
LM0075C.300	Track cover	1 Pc
LMC13.200	Finishing profile	1 Pc
LMU20.300	U profile	2 Pcs
LMU20TP	Finishing cap	2 Pcs
GTUP2	Glass holder gasket	3 m
LM75059TP33	Finishing cap	2 Pcs
CERPOS170ALL	Clamp	2 Pcs
057.3114.071	Roller with screw and nut	2 Pcs
057.3073.072	End stop with buffer	2 Pcs
LMGF	Floor guide	1 Pc
Optional		
042.3102.072	Softbreak damper, 20-60 kg	1 Pc
042.3102.071	Softbreak damper, 61-100 kg	1 Pc

Art.	LV max	Qty
LMV7521F.200	1900 mm	1 Pc

Art.	LV max	Qty
LMV7521F.300	2900 mm	1 Pc



MACHINING OF GLASS FOR CERPOS170





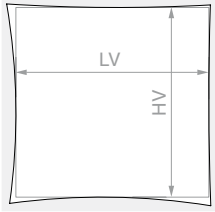
**WALL FIXING SLIDING DOOR KIT
SINGLE DOOR AND FIXED GLASS WITH HIGH COVER**

Material: Aluminium

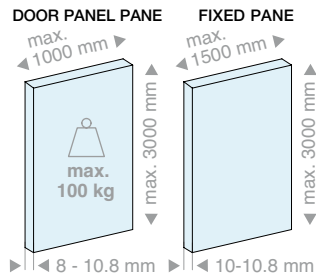
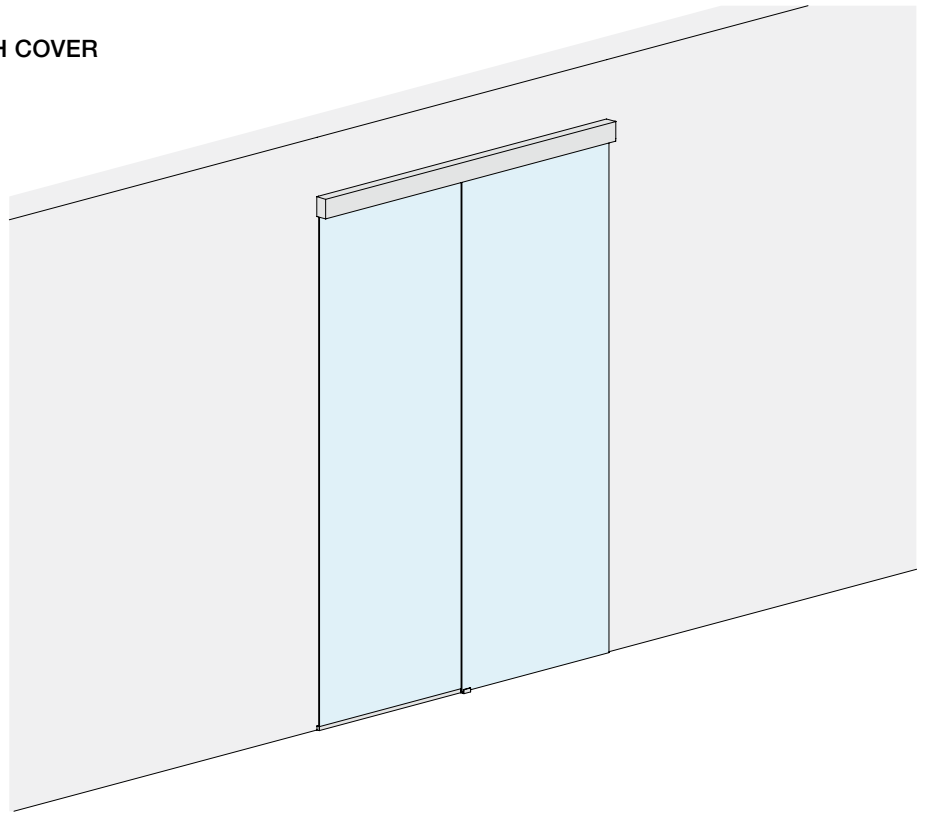
Finish: /6 /88 /97



DOOR OPENING SIZE

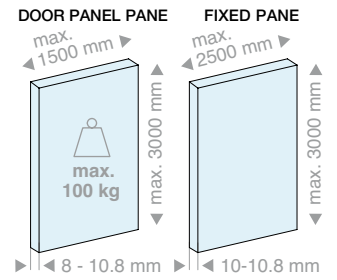


HV max: 3000 mm



Kit comprising:

Art.	Description	Qty
LM3110.200	Wall fixing track	1 Pc
LM26100.200	Fixed glass profile	1 Pc
LM0100C.200	Track cover	1 Pc
LMC13.200	Finishing profile	1 Pc
LMU20.150	U profile	1 Pc
LMU20TP	Finishing cap	2 Pcs
GTUP2	Glass holder gasket	2 m
LM10059TP33	Finishing cap	2 Pcs
CERPOS514	Clamp	2 Pcs
CARVIT8X40-A2	Roller with screw and nut	2 Pcs
057.3073.072	End stop with buffer	2 Pcs
LMGF	Floor guide	1 Pc
Optional		
042.3102.072	Softbreak damper, 20-60 kg	1 Pc
042.3102.071	Softbreak damper, 61-100 kg	1 Pc

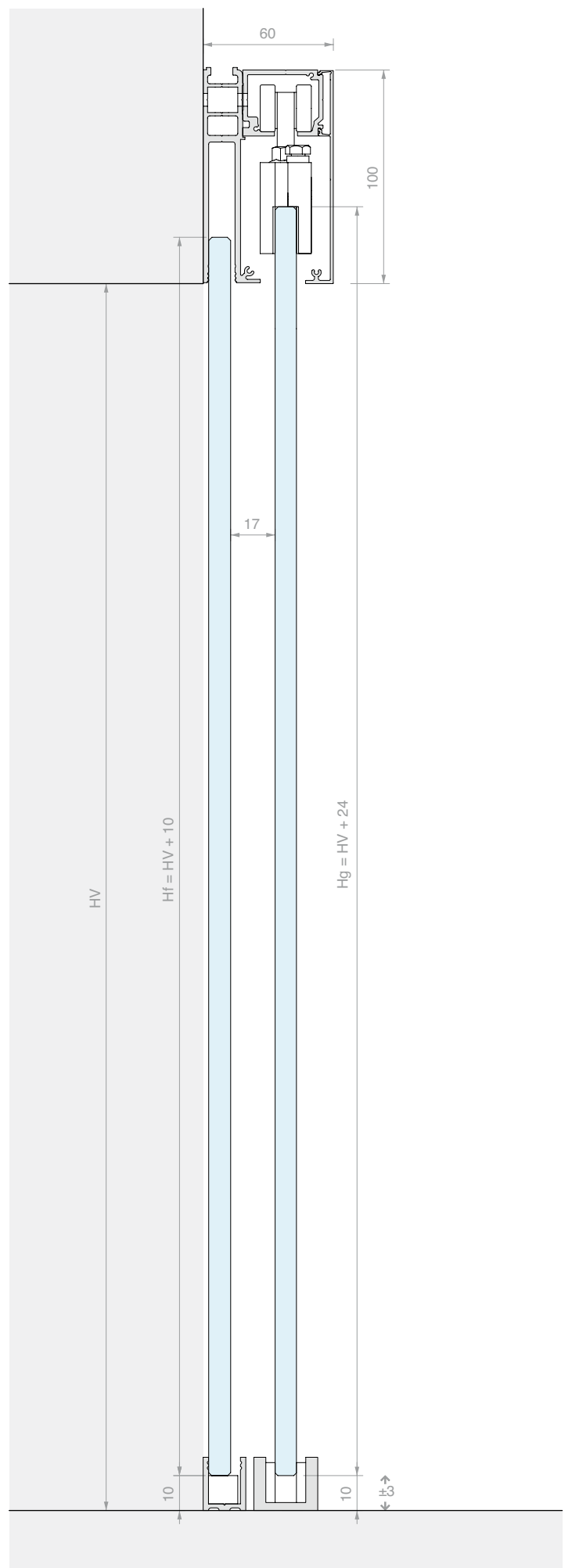
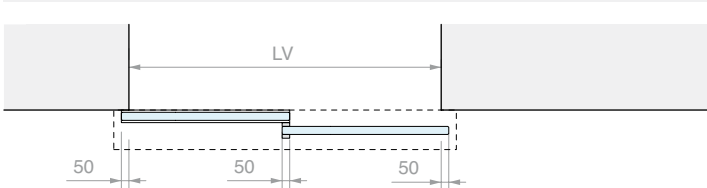
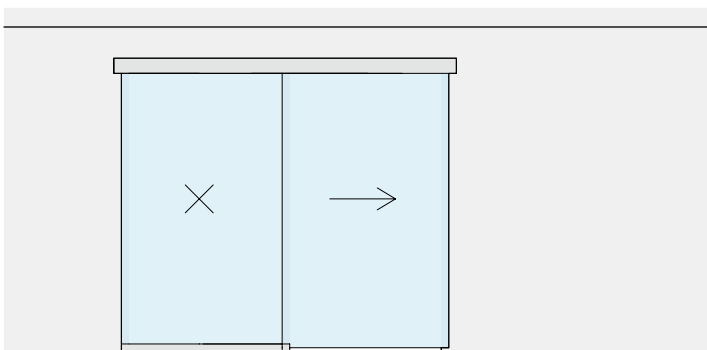
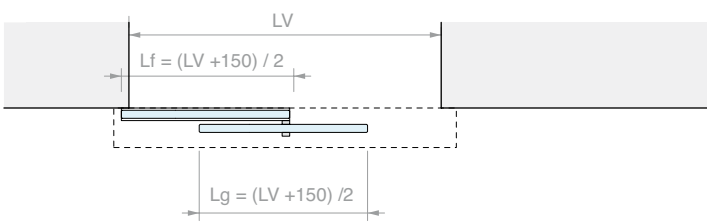
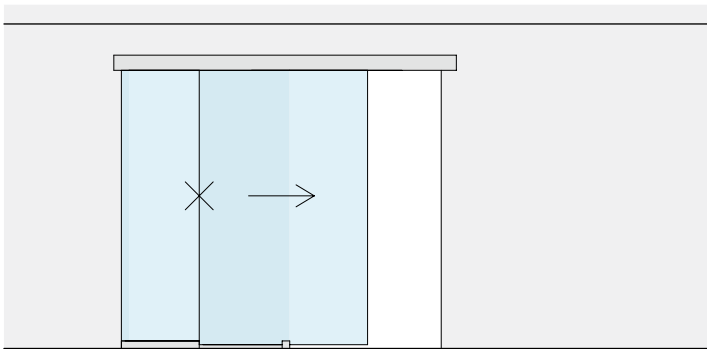
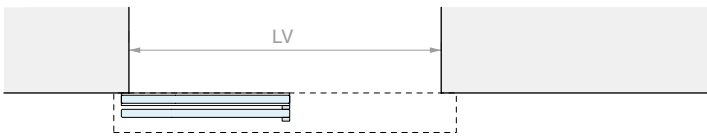
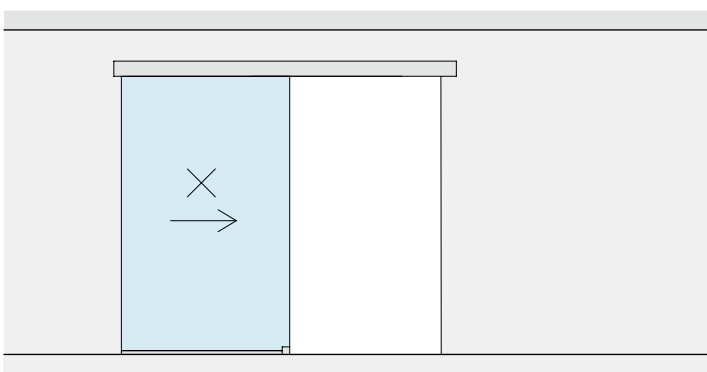


Kit comprising:

Art.	Description	Qty
LM3110.300	Wall fixing track	1 Pc
LM26100.300	Fixed glass profile	1 Pc
LM0100C.300	Track cover	1 Pc
LMC13.200	Finishing profile	1 Pc
LMU20.300	U profile	2 Pcs
LMU20TP	Finishing cap	2 Pcs
GTUP2	Glass holder gasket	3 m
LM10059TP33	Finishing cap	2 Pcs
CERPOS514	Clamp	2 Pcs
CARVIT8X40-A2	Roller with screw and nut	2 Pcs
057.3073.072	End stop with buffer	2 Pcs
LMGF	Floor guide	1 Pc
Optional		
042.3102.072	Softbreak damper, 20-60 kg	1 Pc
042.3102.071	Softbreak damper, 61-100 kg	1 Pc

Art.	LV max	Qty
LMV10021F.200	1900 mm	1 Pc

Art.	LV max	Qty
LMV10021F.300	2900 mm	1 Pc









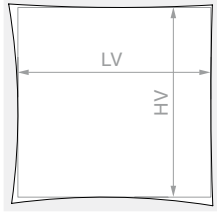
WALL FIXING SLIDING DOOR KIT SYNCHRONISED DOUBLE DOOR AND DOUBLE FIXED GLASS WITH LOW COVER

Material: Aluminium

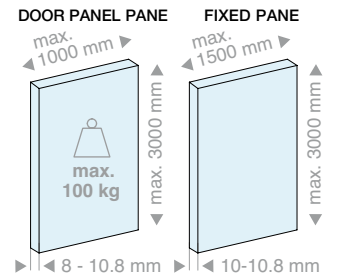
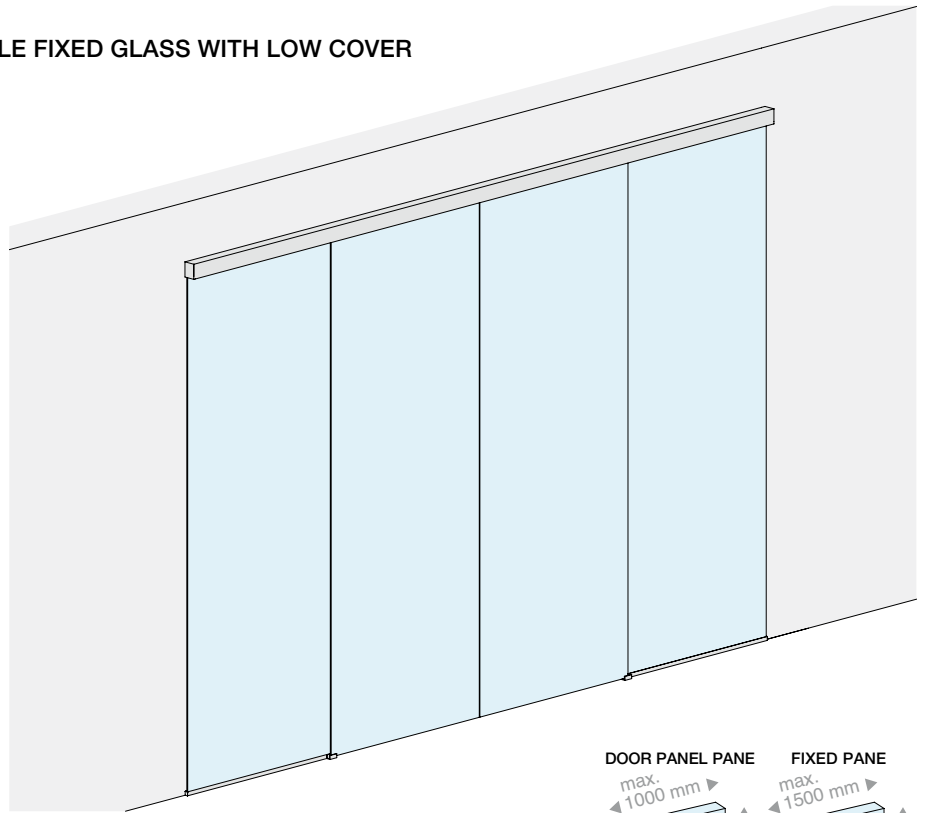
Finish: /6 /88 /97



DOOR OPENING SIZE



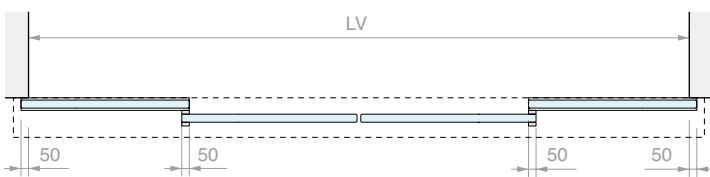
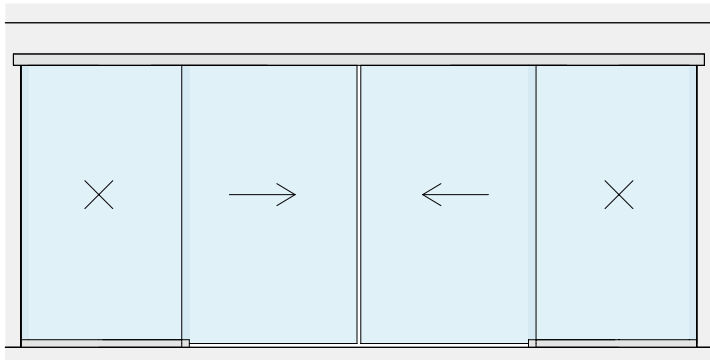
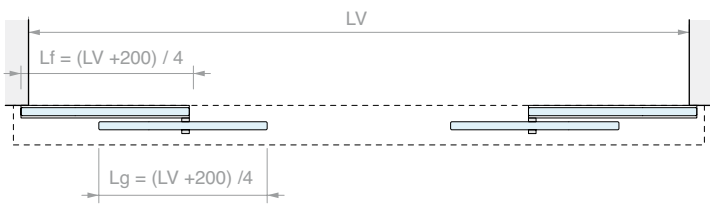
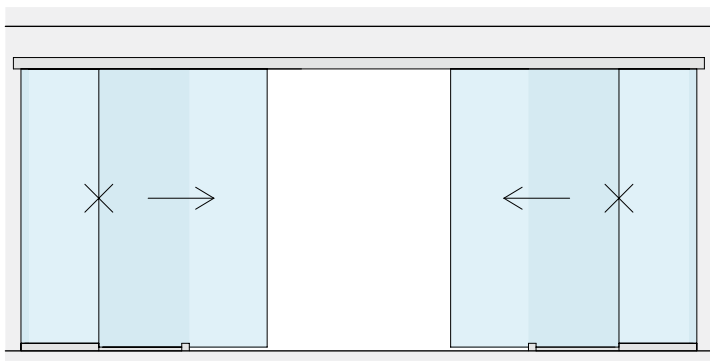
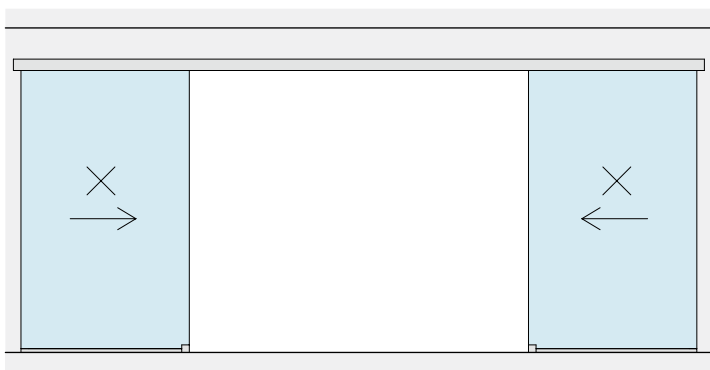
HV max: 3000 mm



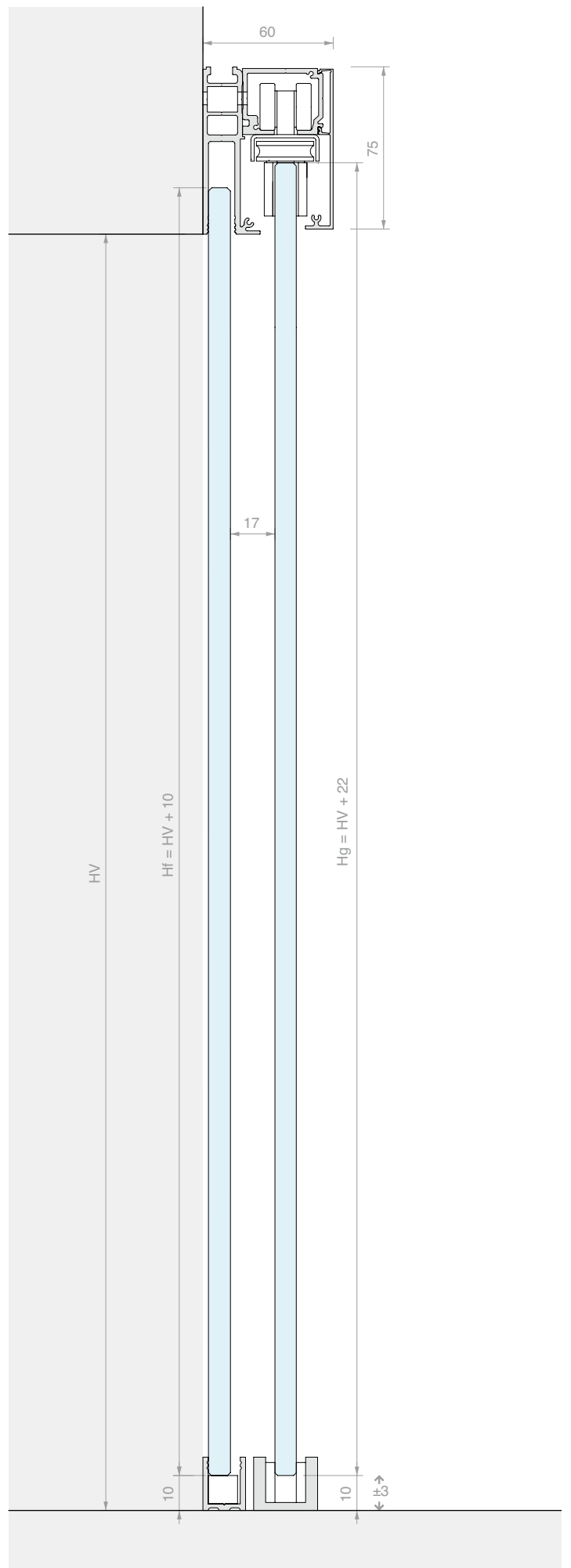
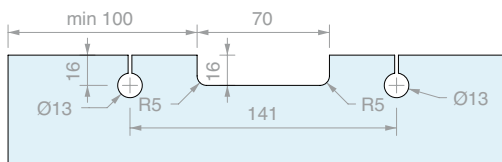
Kit comprising:

Art.	Description	Qty
LM3110.400	Wall fixing track	1 Pc
LM26075.400	Fixed glass profile	1 Pc
LM0075C.400	Track cover	1 Pc
LMC13.200	Finishing profile	1 Pc
LMU20.300	U profile	1 Pc
LMU20TP	Cap	4 Pcs
GTUP2	Glass holder gasket	4 m
LM75059TP33	Finishing cap	2 Pcs
CERPOS170ALL	Clamp	2 Pcs
CERPOS170SYNC	Clamp for synchronisation	2 Pcs
057.3114.071	Roller with screw and nut	4 Pcs
057.3073.071	End stop without buffer	4 Pcs
LMGF	Floor guide	2 Pcs
LMSIN-2AC170	Synchronisation kit	1 Pc
Optional		
042.3102.072	Softbreak damper, 20-60 kg	2 Pcs
042.3102.071	Softbreak damper, 61-100 kg	2 Pcs

Art.	LV max	Qty
LMV7521CF.400	3900 mm	1 Pc



MACHINING OF GLASS FOR CERPOS170

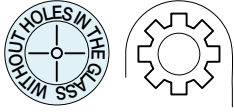




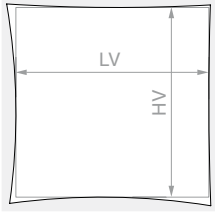
WALL FIXING SLIDING DOOR KIT SYNCHRONISED DOUBLE DOOR AND DOUBLE FIXED GLASS WITH HIGH COVER

Material: Aluminium

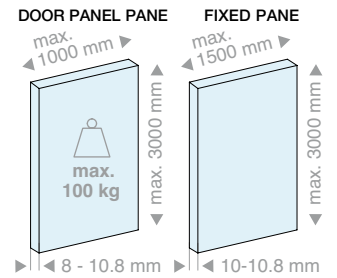
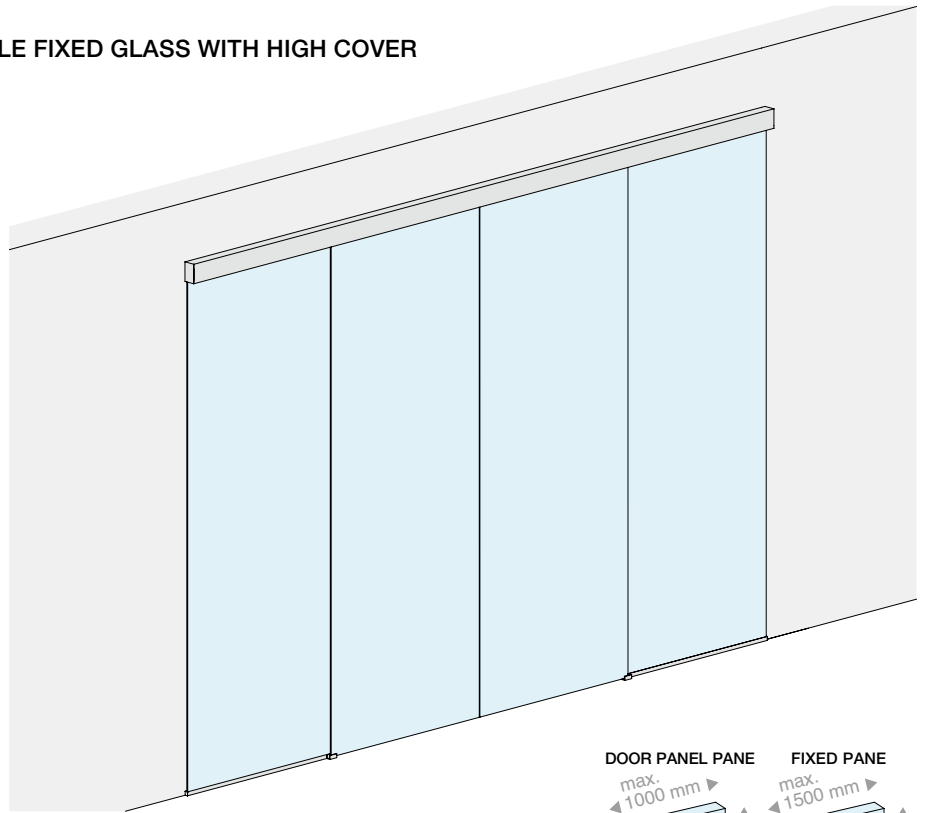
Finish: /6 /88 /97



DOOR OPENING SIZE



HV max: 3000 mm



Kit comprising:

Art.	Description	Qty
LM3110.400	Wall fixing track	1 Pc
LM26100.400	Fixed glass profile	1 Pc
LM0100C.400	Track cover	1 Pc
LMC13.200	Finishing profile	1 Pc
LMU20.300	U profile	1 Pc
LMU20TP	Cap	4 Pcs
GTUP2	Glass holder gasket	4 m
LM10059TP33	Finishing cap	2 Pcs
CERPOS514	Clamp	2 Pcs
CERPOS514-C	Clamp for synchronisation	2 Pcs
CARVIT8X40-A2	Roller with screw and nut	4 Pcs
057.3073.071	End stop without buffer	4 Pcs
LMGF	Floor guide	2 Pcs
LMSIN-2AC500	Synchronisation kit	1 Pc
Optional		
042.3102.072	Softbreak damper, 20-60 kg	2 Pcs
042.3102.071	Softbreak damper, 61-100 kg	2 Pcs

Art.	LV max	Qty
LMV10021CF.400	3900 mm	1 Pc

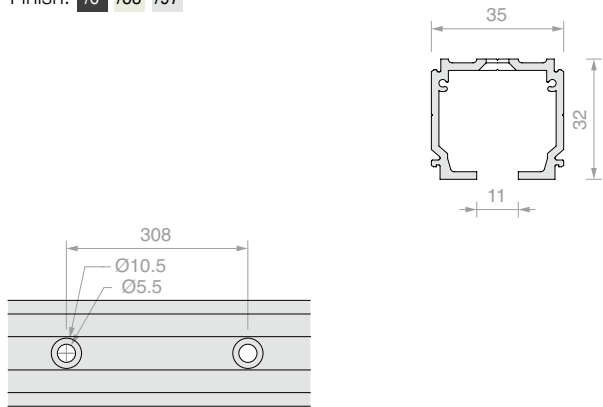




CEILING FIXING TRACK

Material: Aluminium

Finish: /6 /88 /97



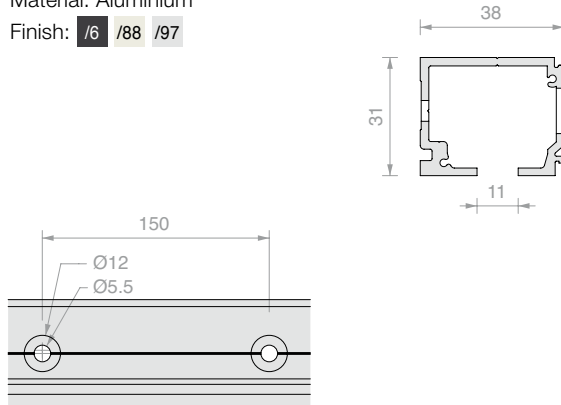
Art.	Length	Qty
LM21.200	1998 mm	1 Pc
LM21.300	2998 mm	1 Pc
LM21.400	3998 mm	1 Pc
LM21.600	6000 mm	1 Pc



WALL FIXING TRACK

Material: Aluminium

Finish: /6 /88 /97



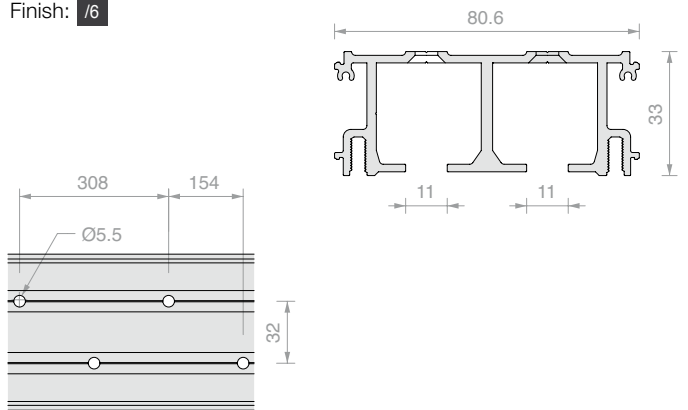
Art.	Length	Qty
LM3110.200	1998 mm	1 Pc
LM3110.300	2998 mm	1 Pc
LM3110.400	3998 mm	1 Pc
LM3110.600	6000 mm	1 Pc



2-WAY CEILING FIXING TRACK

Material: Aluminium

Finish: /6




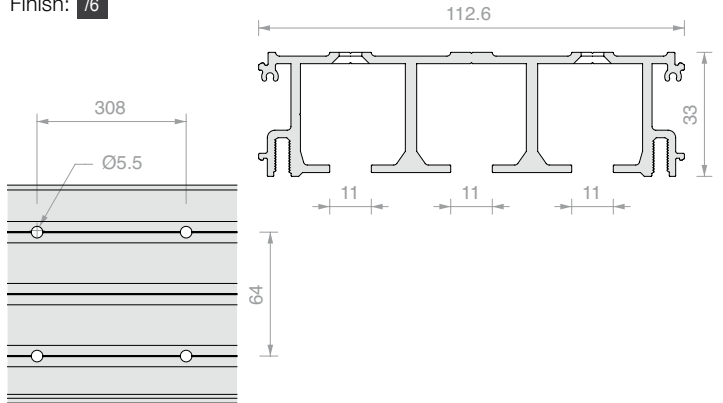
Art.	Length	Qty
LM2V080.200	1998 mm	1 Pc
LM2V080.300	2998 mm	1 Pc
LM2V080.400	3998 mm	1 Pc
LM2V080.600	6000 mm	1 Pc



3-WAY CEILING FIXING TRACK

Material: Aluminium

Finish:  /6



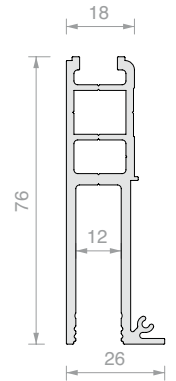
Art.	Length	Qty
LM3V112.200	1998 mm	1 Pc
LM3V112.300	2998 mm	1 Pc
LM3V112.400	3998 mm	1 Pc
LM3V112.600	6000 mm	1 Pc



FIXED GLASS LOW PROFILE

Material: Aluminium

Finish:  /6  /88  /97



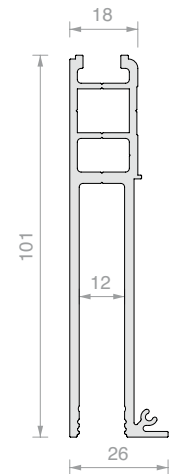
Art.	Length	Qty
LM26075.200	1998 mm	1 Pc
LM26075.300	2998 mm	1 Pc
LM26075.400	3998 mm	1 Pc
LM26075.600	6000 mm	1 Pc



FIXED GLASS HIGH PROFILE

Material: Aluminium

Finish:  /6  /88  /97



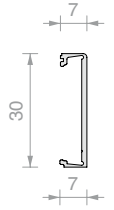
Art.	Length	Qty
LM26100.200	1998 mm	1 Pc
LM26100.300	2998 mm	1 Pc
LM26100.400	3998 mm	1 Pc
LM26100.600	6000 mm	1 Pc



COVER FOR VISIBLE CLAMPS

Material: Aluminium

Finish: /6 /88 /97



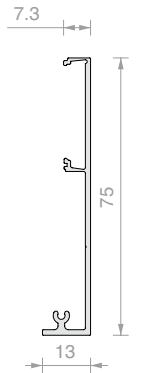
Art.	Length	Qty
LM3120.200	1998 mm	1 Pc
LM3120.300	2998 mm	1 Pc
LM3120.400	3998 mm	1 Pc
LM3120.600	6000 mm	1 Pc



LOW COVER

Material: Aluminium

Finish: /6 /88 /97



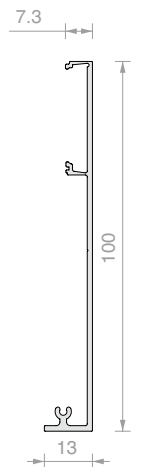
Art.	Length	Qty
LM0075C.200	1998 mm	1 Pc
LM0075C.300	2998 mm	1 Pc
LM0075C.400	3998 mm	1 Pc
LM0075C.600	6000 mm	1 Pc



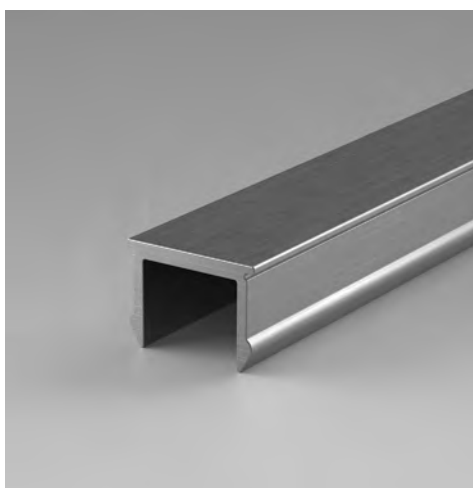
HIGH COVER

Material: Aluminium

Finish: /6 /88 /97



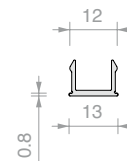
Art.	Length	Qty
LM0100C.200	1998 mm	1 Pc
LM0100C.300	2998 mm	1 Pc
LM0100C.400	3998 mm	1 Pc
LM0100C.600	6000 mm	1 Pc



FINISHING PROFILE

Material: Aluminium

Finish: /6 /88 /97



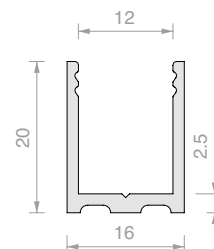
Art.	Length	Qty
LMC13.100	996 mm	1 Pc
LMC13.150	1498 mm	1 Pc
LMC13.200	1998 mm	1 Pc
LMC13.300	3000 mm	1 Pc



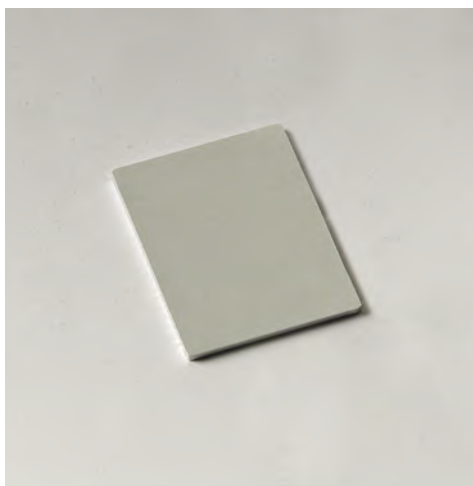
U PROFILE

Material: Aluminium

Finish: /6 /88 /91 /97



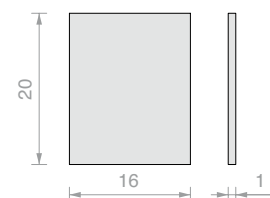
Art.	Length	Qty
LMU20.100	996 mm	1 Pc
LMU20.150	1498 mm	1 Pc
LMU20.300	3000 mm	1 Pc



FINISHING CAP

Material: Aluminium

Finish: /88 /91 /97 /R2



Art.	Qty
LMU20TP	1 Pc



GLASS HOLDER SEAL

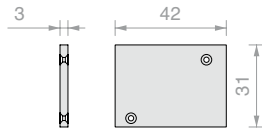
Material: PVC

Art.	Thickness	Colour	Qty	Art.	Thickness	Colour	Qty	Art.	Thickness	Colour	Qty
GTUP2	2 mm	Transparent	1 m	GTUP2G	2 mm	Embossed	1 m	GTUP2N	2 mm	Black	1 m
GTUP3	3 mm	Transparent	1 m	GTUP3G	3 mm	Embossed	1 m	GTUP3N	3 mm	Black	1 m
GTUP4	4 mm	Transparent	1 m	GTUP4G	4 mm	Embossed	1 m	GTUP4N	4 mm	Black	1 m
GTUP5	5 mm	Transparent	1 m	GTUP5G	5 mm	Embossed	1 m	GTUP5N	5 mm	Black	1 m
GTUP6	6 mm	Transparent	1 m	GTUP6G	6 mm	Embossed	1 m	GTUP6N	6 mm	Black	1 m



FINISHING CAP 2 SCREWS

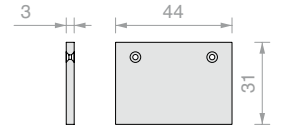
Material: Aluminium
Finish: /6 /88 /97



Art. Qty
LM31042TP32 1 Pc

FINISHING CAP 2 SCREWS

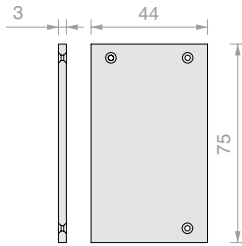
Material: Aluminium
Finish: /6 /88 /97



Art. Qty
LM31044TP32 1 Pc

FINISHING CAP 3 SCREWS

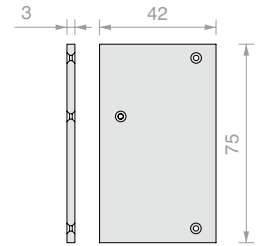
Material: Aluminium
Finish: /6 /88 /97



Art. Qty
LM75044TP33 1 Pc

FINISHING CAP 3 SCREWS

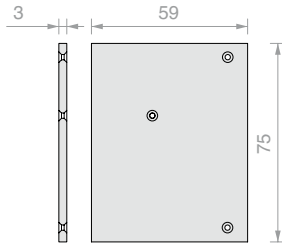
Material: Aluminium
Finish: /6 /88 /97



Art. Qty
LM75042TP33 1 Pc

FINISHING CAP 3 SCREWS

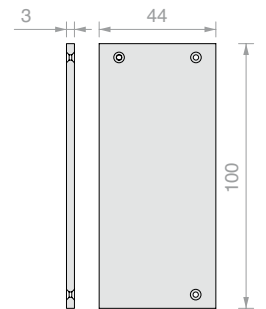
Material: Aluminium
Finish: /6 /88 /97



Art. Qty
LM75059TP33 1 Pc

FINISHING CAP 3 SCREWS

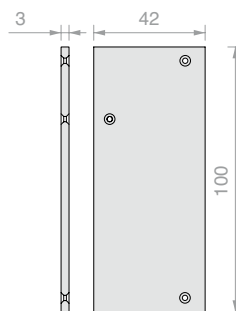
Material: Aluminium
Finish: /6 /88 /97



Art. Qty
LM10044TP33 1 Pc

FINISHING CAP 3 SCREWS

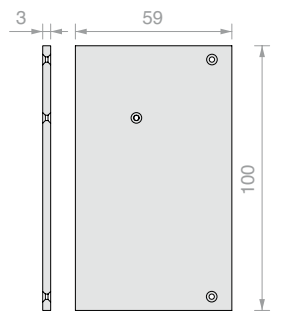
Material: Aluminium
Finish: /6 /88 /97



Art. Qty
LM10042TP33 1 Pc

FINISHING CAP 3 SCREWS

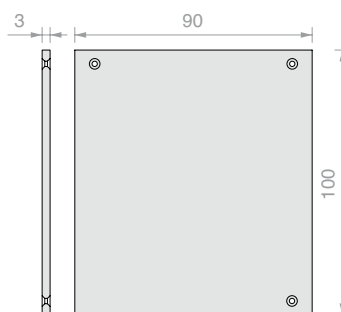
Material: Aluminium
Finish: /6 /88 /97



Art. Qty
LM10059TP33 1 Pc

FINISHING CAP 3 SCREWS

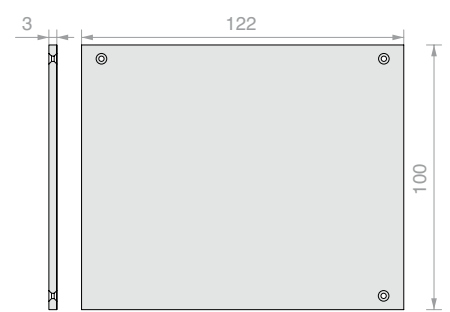
Material: Aluminium
Finish: /6 /88 /97



Art. Qty
LM10090TP33 1 Pc

FINISHING CAP 3 SCREWS

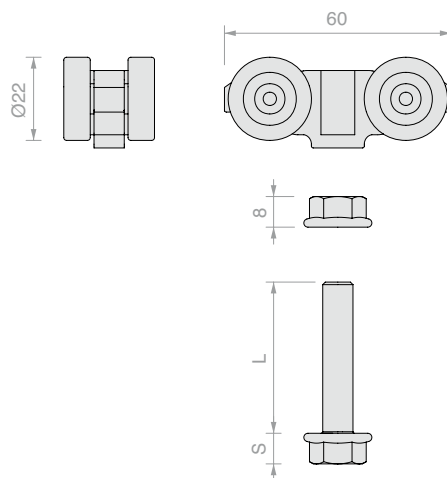
Material: Aluminium
Finish: /6 /88 /97



Art. Qty
LM10022TP33 1 Pc



ROLLER WITH SCREW AND NUT

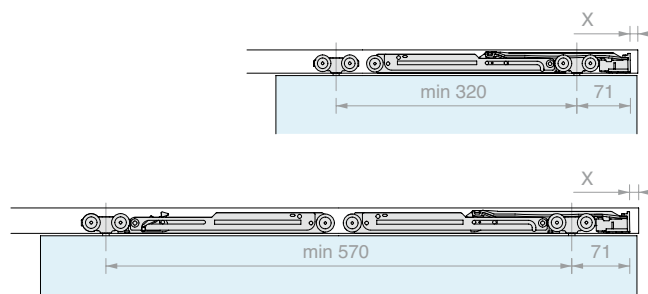


Art.	L	S	For clamps	Qty
CARVIT8X50-A2	50 mm	8 mm	CERPOS514	1 Pc
CARVIT8X40-A2	40 mm	8 mm	CERPOS514	1 Pc
057.3114.071	40 mm	6.6 mm	CERPOS170	1 Pc



SOFTBREAK DAMPER

Material: ABS, zamak and steel



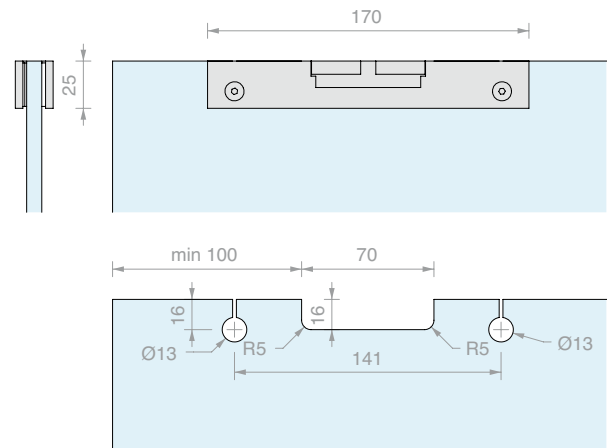
Art.	Load	Qty
042.3102.072	From 20 to 60 kg	1 Pc
042.3102.071	From 61 to 100 kg	1 Pc



CLAMP FOR SLIDING DOORS

Material: Aluminium

Finish: /6 /10 /88 /97



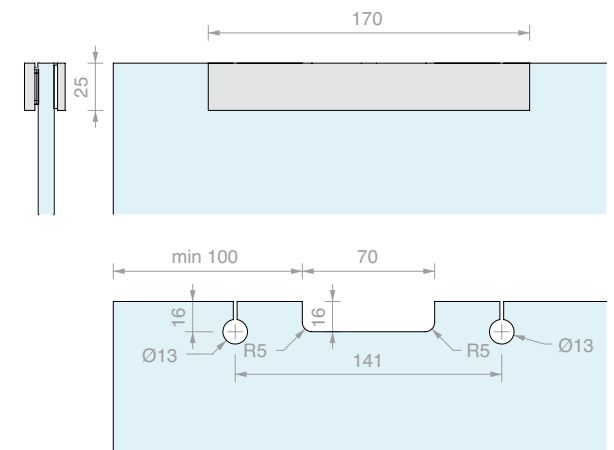
Art.	For glass	Qty
CERPOS170ALL	From 8 to 10.8 mm	1 Pc



CLAMP FOR SLIDING DOORS WITH COVER

Material: Aluminium

Finish: /6 /88 /97

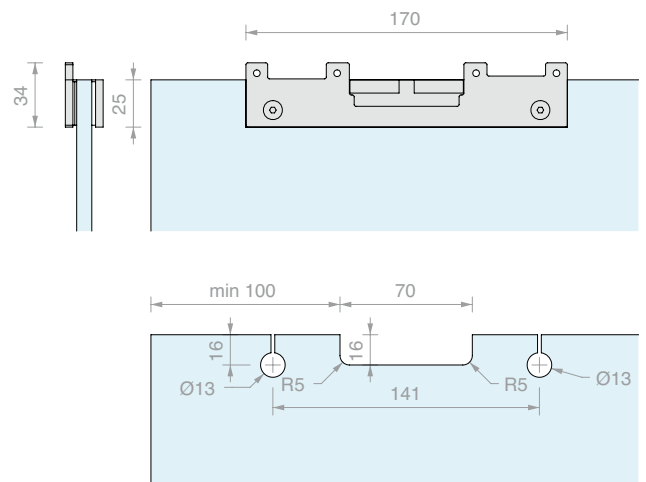


Art.	For glass	Qty
CERPOS170COV	From 8 to 10.8 mm	1 Pc



CLAMP FOR SLIDING DOORS FOR SYNCHRONISATION

Material: Aluminium

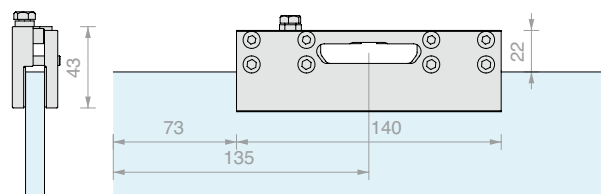


Art.	For glass	Qty
CERPOS170SYNC	From 8 to 10.8 mm	1 Pc



CLAMP FOR SLIDING DOORS

Material: Aluminium

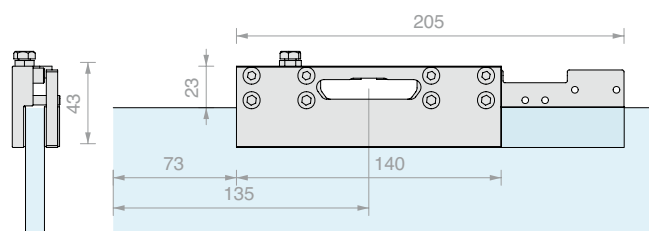


Art.	For glass	Qty
CERPOS514	From 8 to 10.8 mm	1 Pc



CLAMP FOR SLIDING DOORS FOR SIMULTANEOUS SYNCHRONISATION OR DRAGGING MOVEMENT

Material: Aluminium

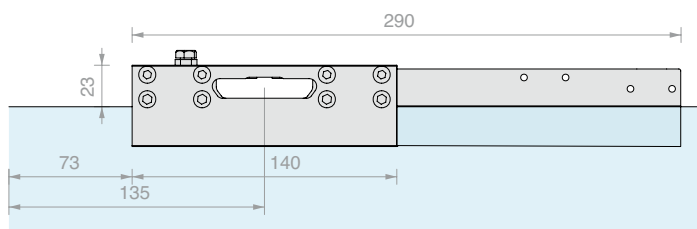


Art.	For glass	Qty
CERPOS514-C	From 8 to 10.8 mm	1 Pc



CLAMP FOR SLIDING DOORS FOR DRAGGING MOVEMENT

Material: Aluminium

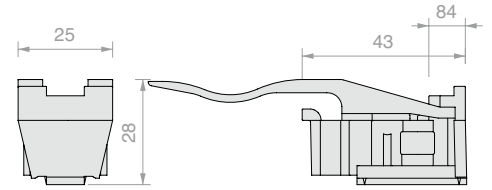


Art.	For glass	Qty
CERPOS514-T	From 8 to 10.8 mm	1 Pc



END STOP WITH BUFFER

Material: ABS



Art.

057.3073.072

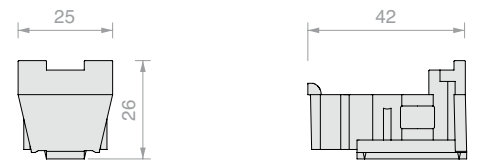
Q.ty

1 Pc



END STOP WITHOUT BUFFER

Material: ABS



Art.

057.3073.071

Q.ty

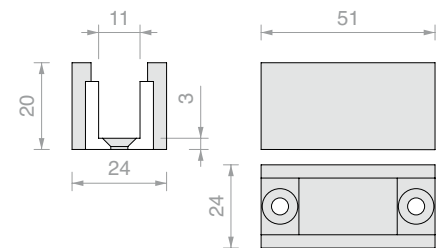
1 Pc



GUIDE

Material: Aluminium

Finish: /88 /97 /R2



Art.

LMGF

For glass thickness

From 8 to 10 mm

Qty

1 Pc



SYNCHRONISATION KIT FOR 2 DRAGGED DOORS WITH CERPOS514-C-E-T

Finish: /6 /88 /97

Art.

LMSIN-2AT502

Qty

1 Pc



SYNCHRONISATION KIT FOR 3 DRAGGED DOORS WITH CERPOS514-C-E-T

Finish: /6 /88 /97

Art.	Qty
LMSIN-3AT503	1 Pc



SYNCHRONISATION KIT FOR 2 IN-LINE DOORS WITH CERPOS170SYNC

Art.	Qty
LMSIN-2AC170	1 Pc

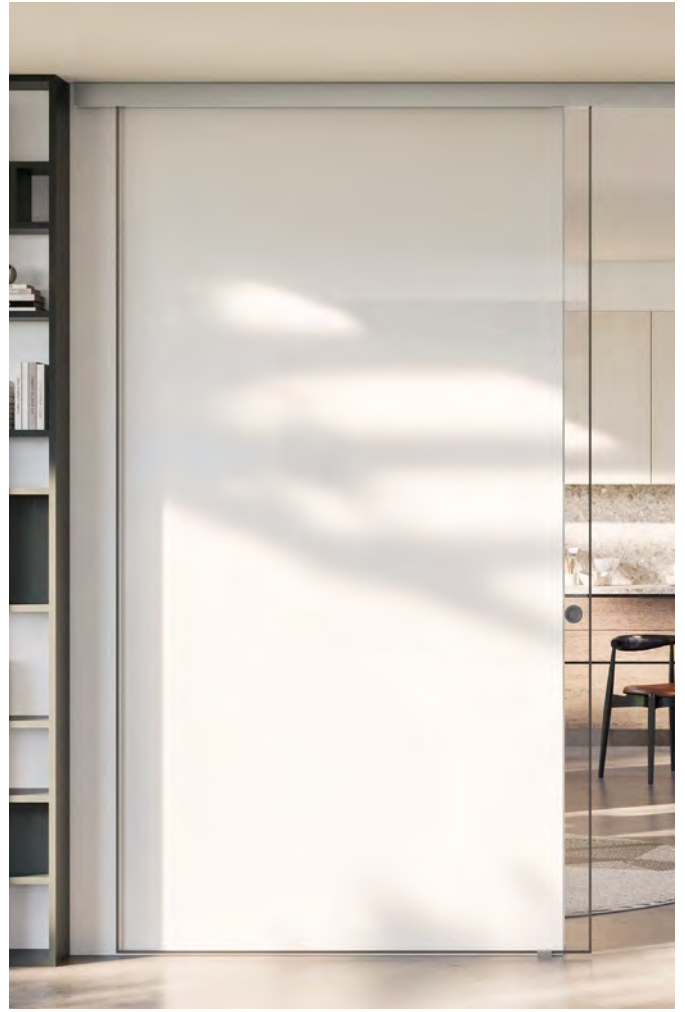


SYNCHRONISATION KIT FOR 2 IN-LINE DOORS WITH CERPOS514-C

Art.	Qty
LMSIN-2AC500	1 Pc

Forme

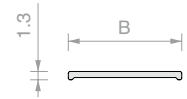
Smaller profiles for finishing glass door panels.
Applied to the glass with a 0.5 mm thick two-sided tape,
silicone or UV bonding.
Select the right guide and accessories for holding the glass
and your edging profile.



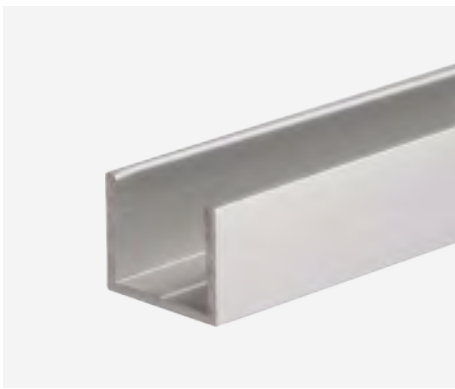


FLAT PROFILE FORME SERIES

Material: Aluminium
 Finish: /6 /88 /97 /RAL

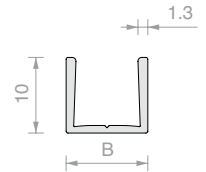


Art.	B	Length	Qty
FOP10.30	10 mm	3000 mm	1 Pc
FOP15.30	15 mm	3000 mm	1 Pc
FOP20.30	20 mm	3000 mm	1 Pc



U PROFILE, FORME SERIES

Material: Aluminium
 Finish: /6 /88 /97 /RAL



Art.	B	Length	For glass	Qty
FOU1011.30	10.8 mm	3000 mm	8 mm	1 Pc
FOU1013.30	12.8 mm	3000 mm	10 mm	1 Pc



TESA® ACX^{plus} DOUBLE-SIDED TAPE

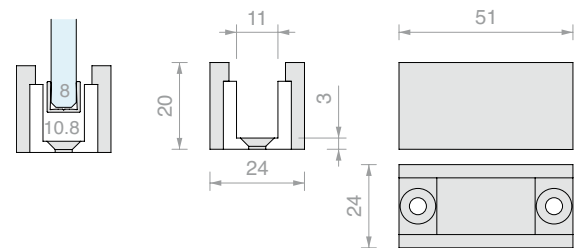
Transparent double-sided tape for fixing glass, steel and aluminium.
 The paper liner makes manual application of the tape easier.

Art.	Dimensions	Thickness	Qty
TS250065	6 mm x 25 m	0.5 mm	1 Pc
TS250125	12 mm x 25 m	0.5 mm	1 Pc
TS250155	15 mm x 25 m	0.5 mm	1 Pc



FLOOR GUIDE

Material: Aluminium
 Finish: /88 /97 /R2

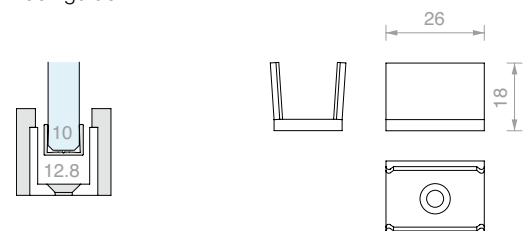


Art.	For profile	Qty
LMGF	FOU1011	1 Pc



ADAPTOR FOR GUIDE LMGF

Accessory for inserting into the LMGF floor guide
 Material: plastic
 Finish: /56



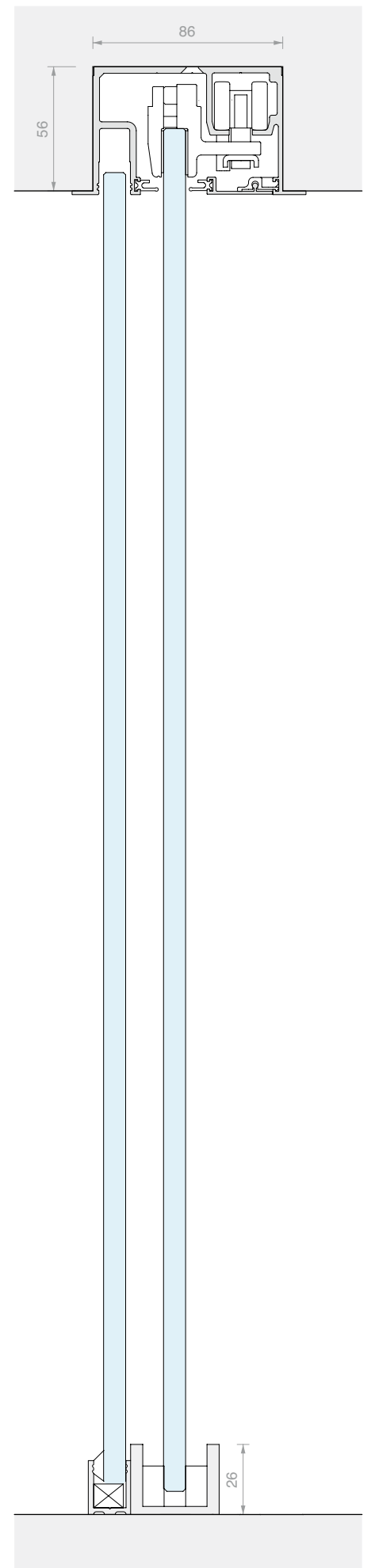
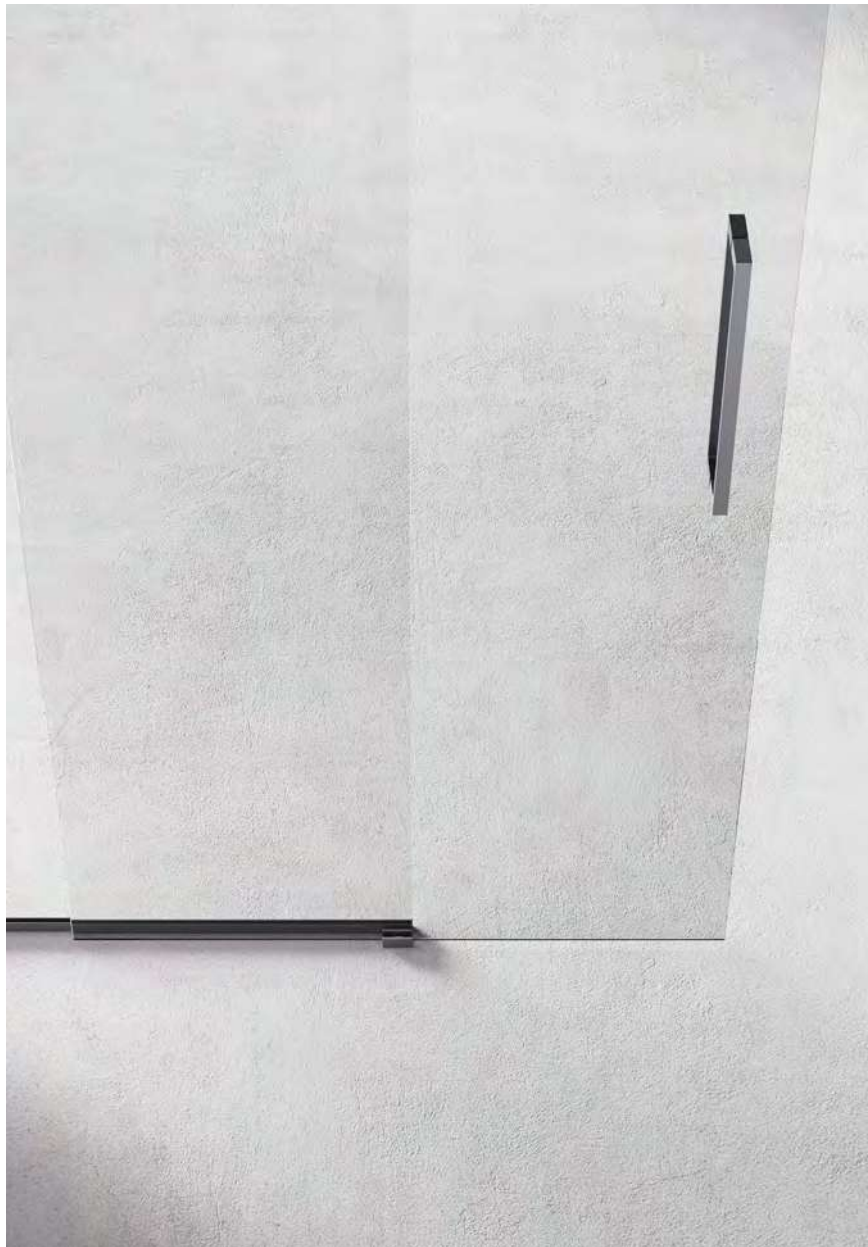
Art.	For profile	Qty
LMGF13-POM	FOU1013	1 Pc

LM INVISIBLE

Design

The LM INVISIBLE collection is a family of sliding doors which ensures that the glass is the only visible part of the sliding door.

The perfectly flush fitting ceiling fixing tracks fit in perfectly in any architectural setting, combining functionality and design.

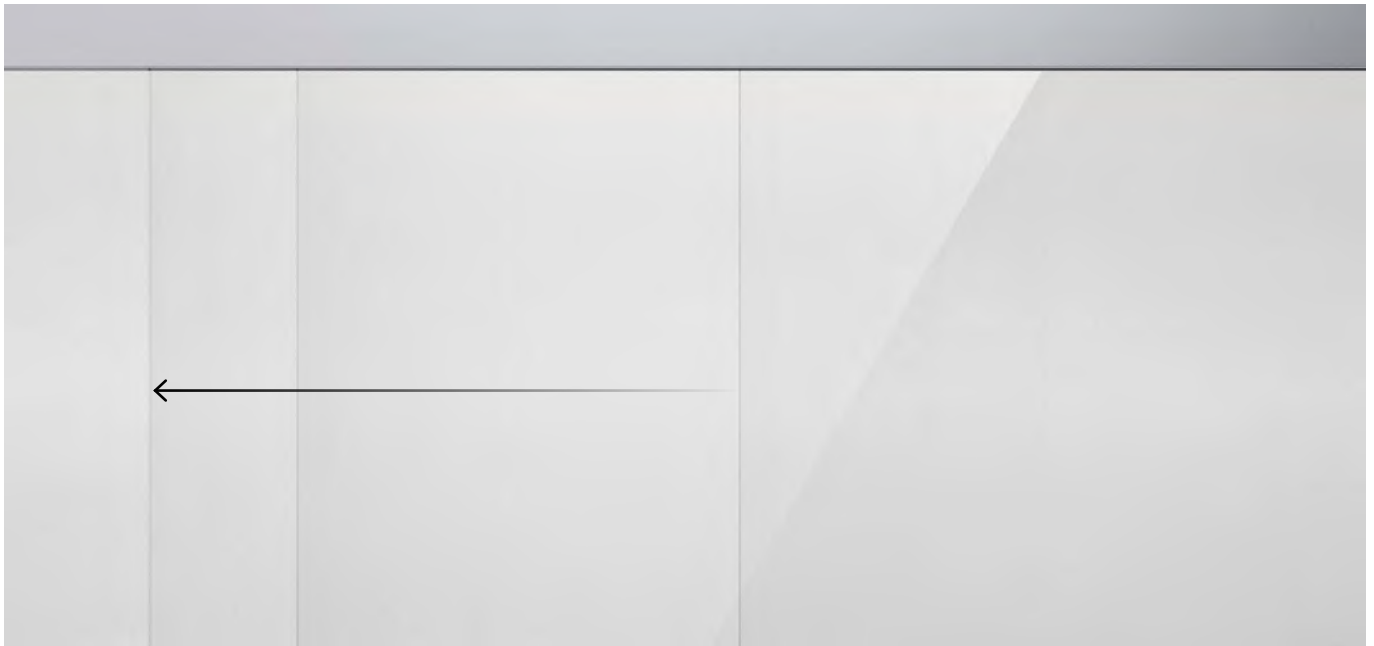




/88
Brushed steel effect
aluminium

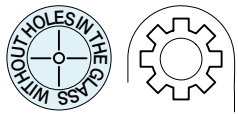


/97
Matt aluminium



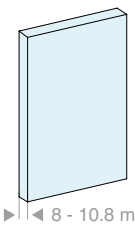
LM INVISIBLE

Technical properties



DOOR PANEL PANE

FIXED PANE

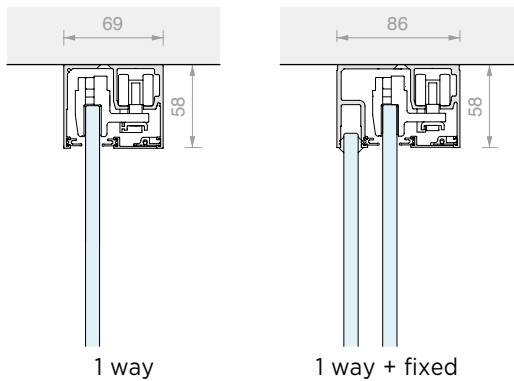


▶ ◀ 8 - 10.8 mm

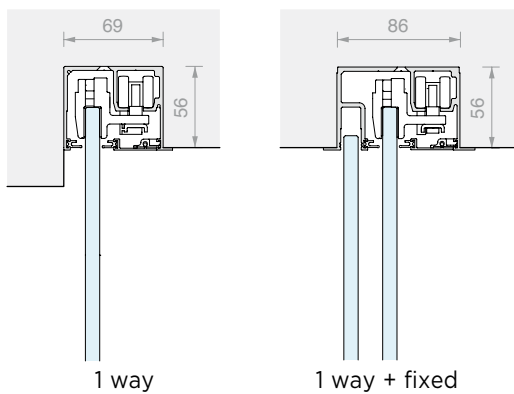
▶ ◀ 8 - 10.8 mm

2 types of installation

Ceiling

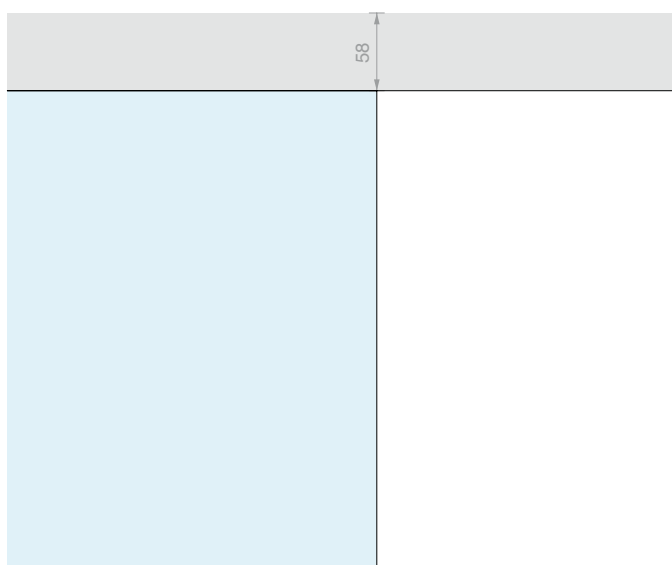


Ceiling, flush fit

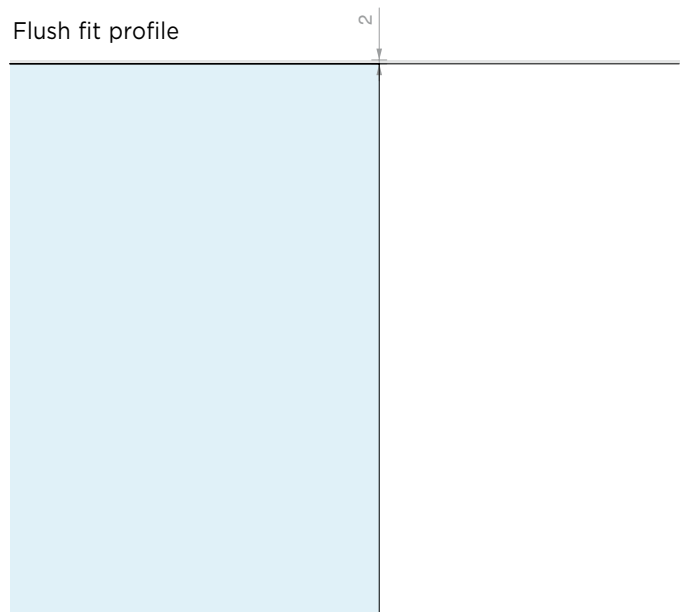


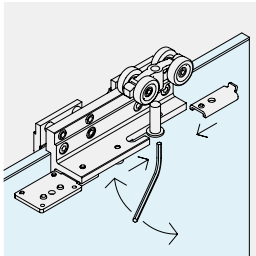
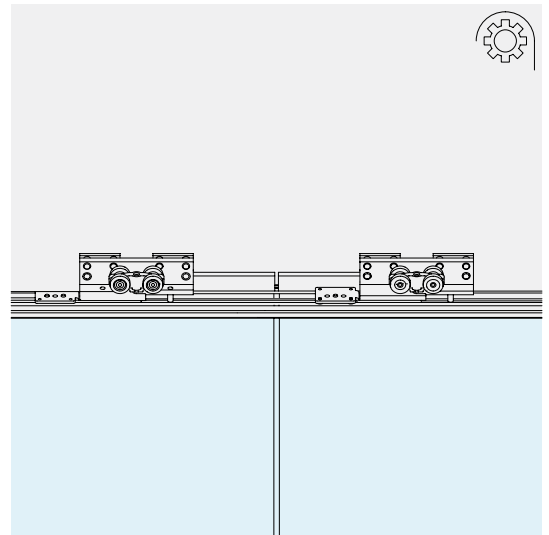
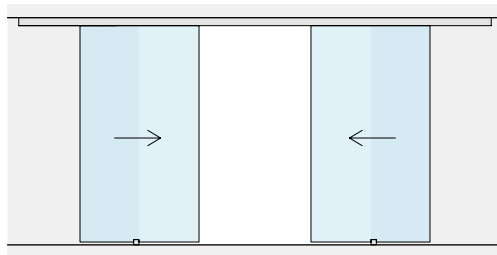
2 types of upper layout

Exposed profile



Flush fit profile



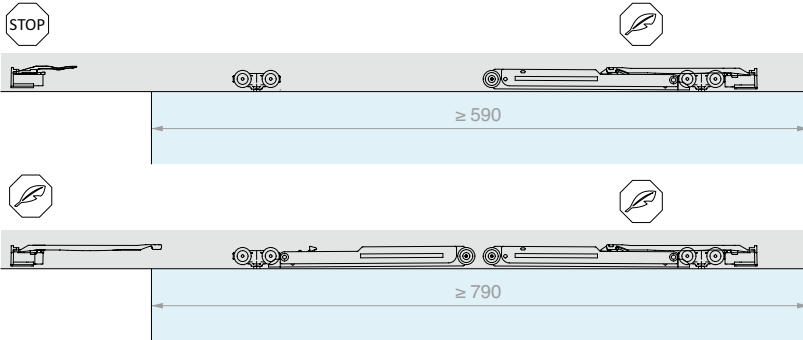


DOOR PANEL ADJUSTMENT

The height of the individual roller can be adjusted to change the position of the panel by ± 3 mm.

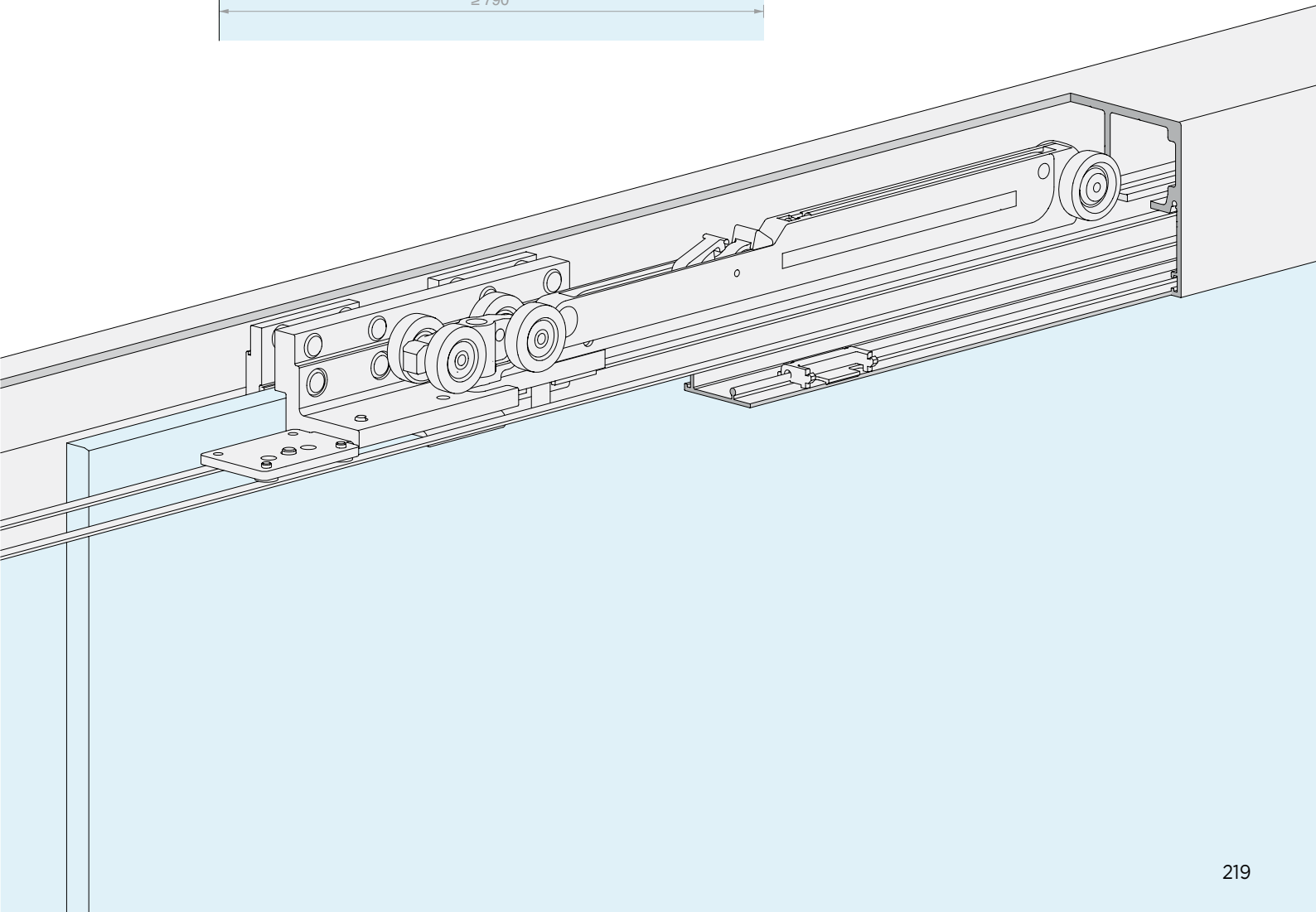
SYNCHRONISM

The following accessories are available for synchronisation simultaneous with 2 moving door panels.



SOFT CLOSE

The use of a single damper delivers delicate and controlled opening and closing.



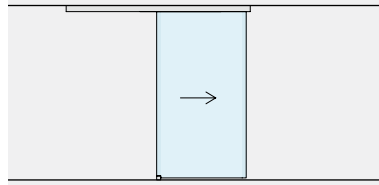


LM INVISIBLE

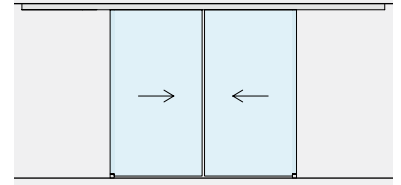
Kit

CEILING FIXING

MOVING DOORS

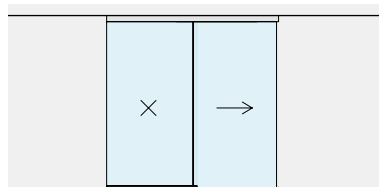


Page 224

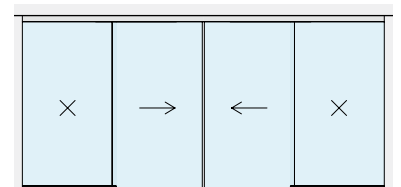


Page 228

MOVING DOORS
WITH FIXED GLASS



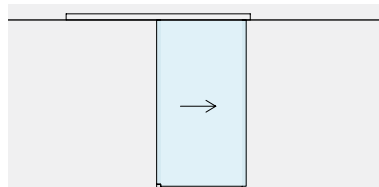
Page 232



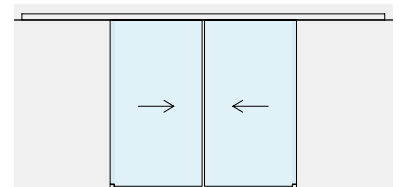
Page 236

FLUSH FIT CEILING FIXING

MOVING DOORS

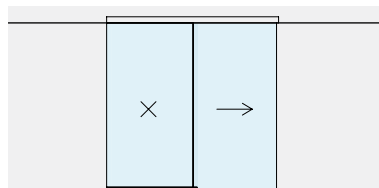


Page 240

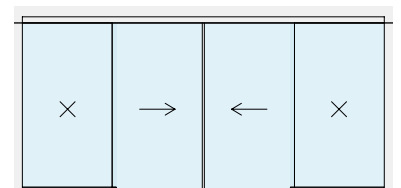


Page 244

MOVING DOORS
WITH FIXED GLASS



Page 248



Page 252







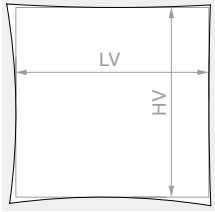
SLIDING DOOR KIT, CEILING FIXING
SINGLE DOOR

Material: Aluminium

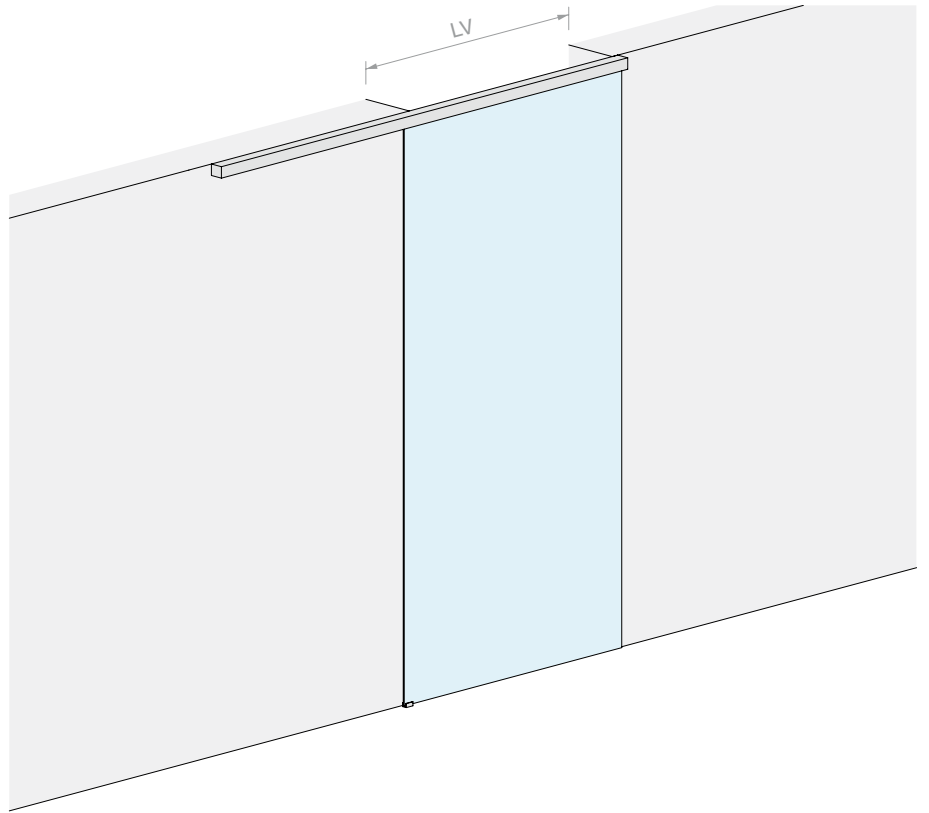
Finish: /88 /97



DOOR OPENING SIZE



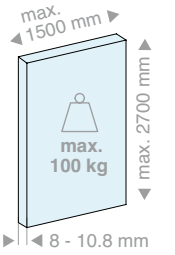
HV max: 2730 mm



DOOR PANEL PANE



DOOR PANEL PANE



Kit comprising:

Art.	Description	Qty
LMGW	Set of accessories for a door	1 Pc
LMGWSB200	Ceiling fixing track	1 Pc
057.3085.200	Lower cover	1 Pc
LMGWST01	Pair of end caps	1 Pc
057.3078.002	Finishing gasket	4 m

Optional

042.3102.072	Softbreak damper, 20-60 kg	1 Pc
042.3102.071	Softbreak damper, 61-100 kg	1 Pc

Kit comprising:

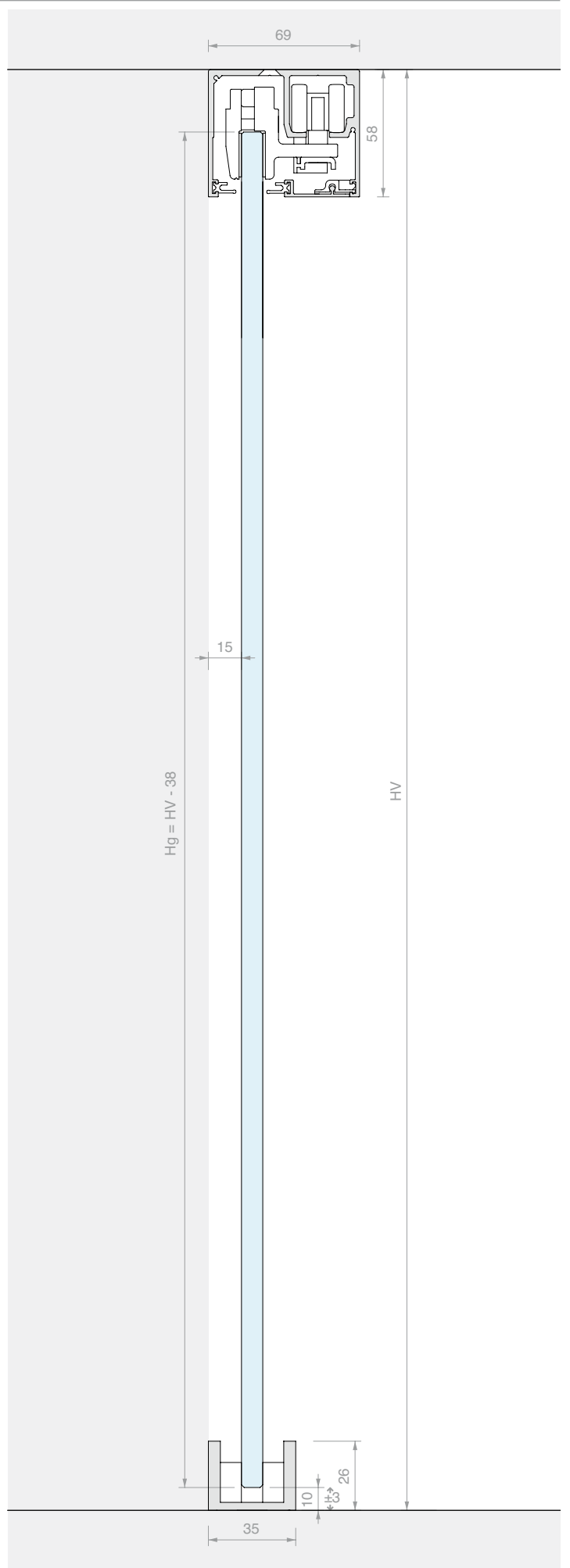
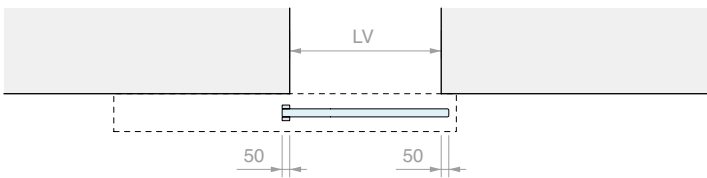
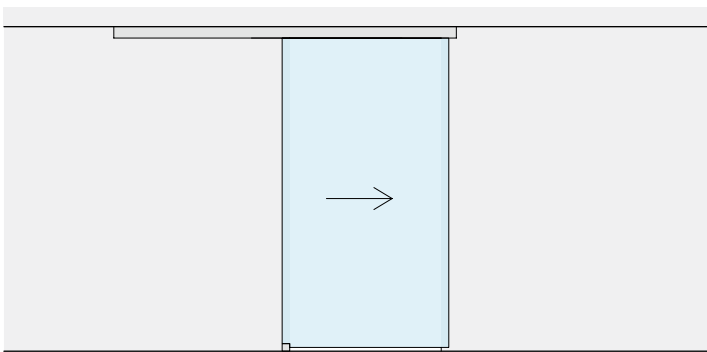
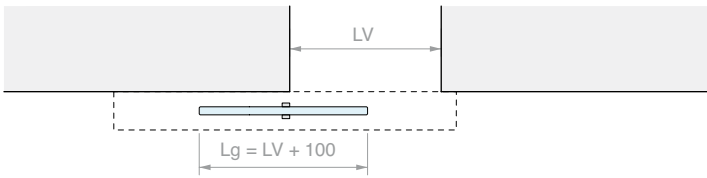
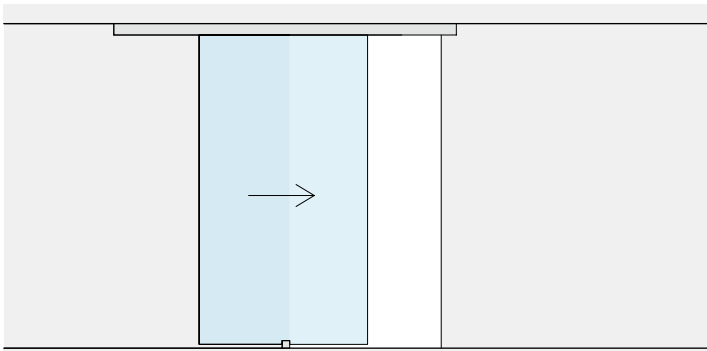
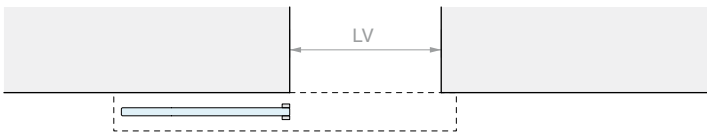
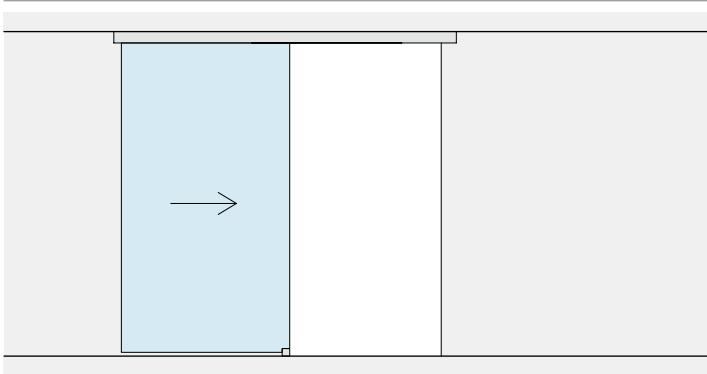
Art.	Description	Qty
LMGW	Set of accessories for a door	1 Pc
LMGWSB300	Ceiling fixing track	1 Pc
057.3085.300	Lower cover	1 Pc
LMGWST01	Pair of end caps	1 Pc
057.3078.002	Finishing gasket	6 m

Optional

042.3102.072	Softbreak damper, 20-60 kg	1 Pc
042.3102.071	Softbreak damper, 61-100 kg	1 Pc

Art.	LV max	Qty
LMGWS200	900 mm	1 Pc

Art.	LV max	Qty
LMGWS300	1400 mm	1 Pc









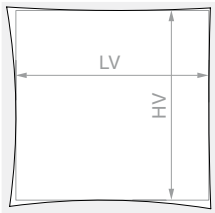
**SLIDING DOOR KIT, CEILING FIXING
DOUBLE DOOR**

Material: Aluminium

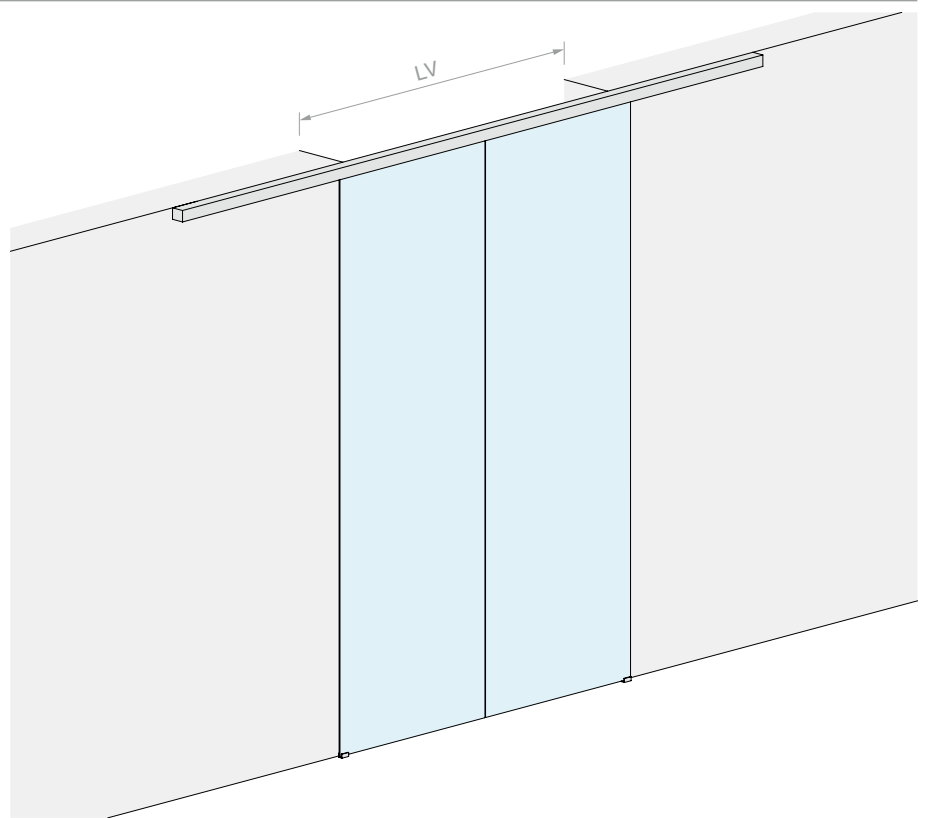
Finish: /88 /97



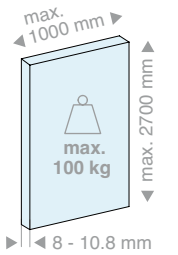
DOOR OPENING SIZE



HV max: 2730 mm



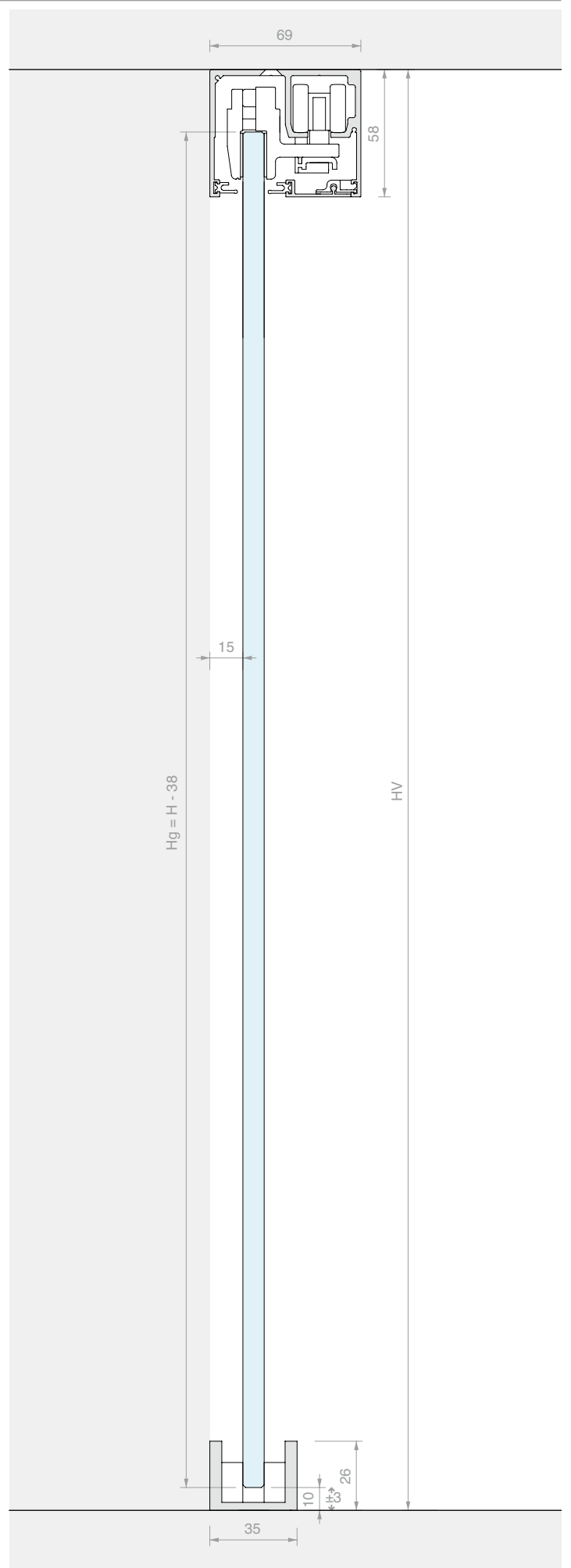
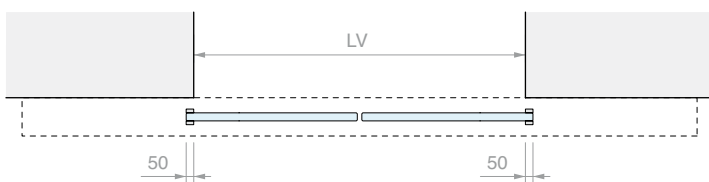
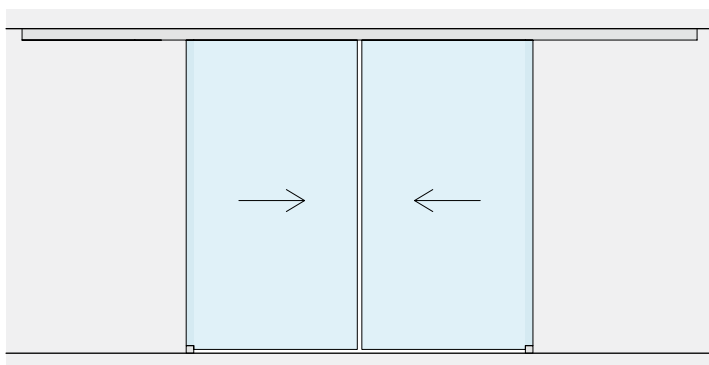
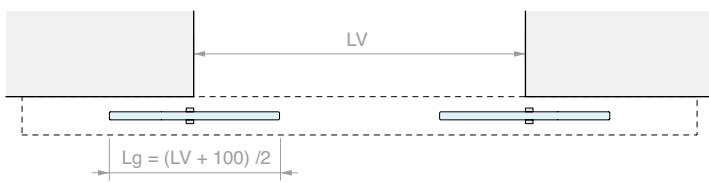
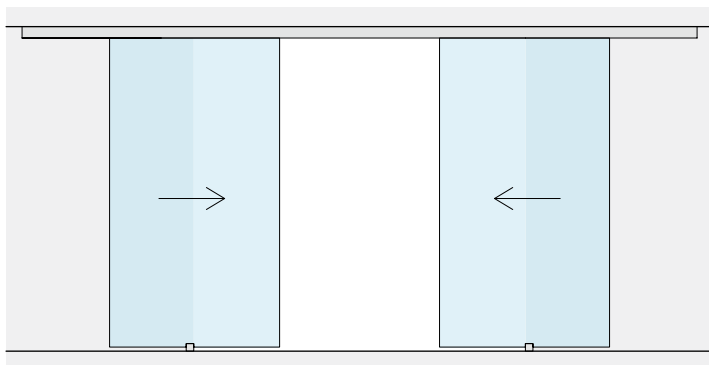
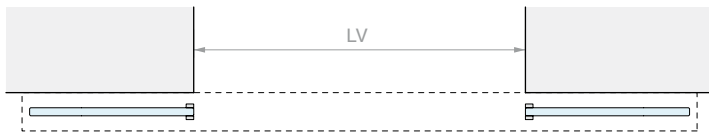
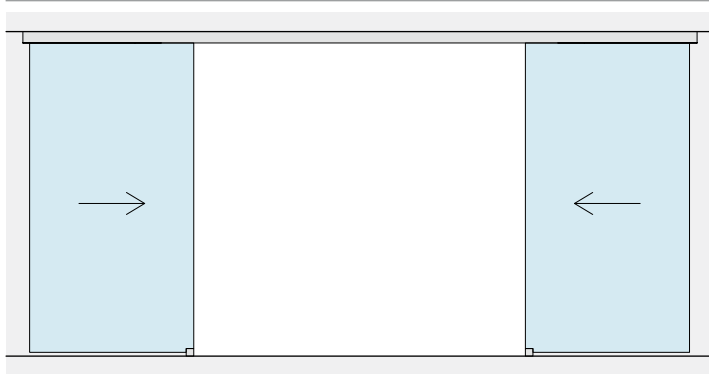
DOOR PANEL PANE



Kit comprising:

Art.	Description	Qty
LMGW	Set of accessories for a door	2 Pcs
LMGWSB400	Ceiling fixing track	1 Pc
057.3085.400	Lower cover	1 Pc
LMGWST01	Pair of end caps	1 Pc
057.3078.002	Finishing gasket	8 m
Optional		
042.3102.072	Softbreak damper, 20-60 kg	1 Pc
042.3102.071	Softbreak damper, 61-100 kg	1 Pc
LMSINCRO	Synchronisation kit	1 Pc

Art.	LV max	Qty
LMGWS400	1900 mm	1 Pc









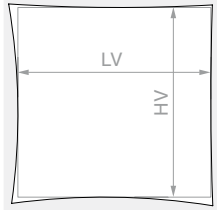
**SLIDING DOOR KIT, CEILING FIXING
SINGLE DOOR WITH FIXED GLASS**

Material: Aluminium

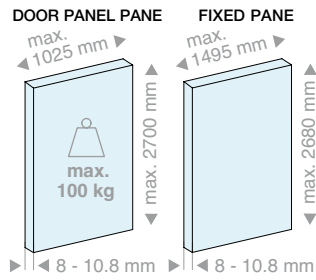
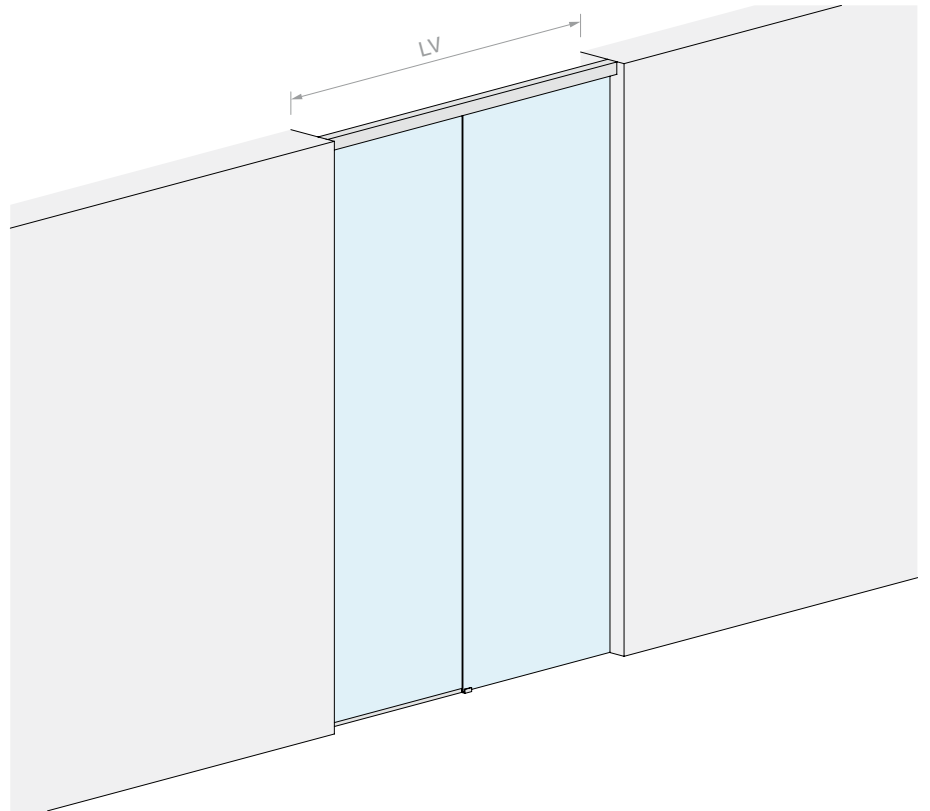
Finish: /88 /97



DOOR OPENING SIZE

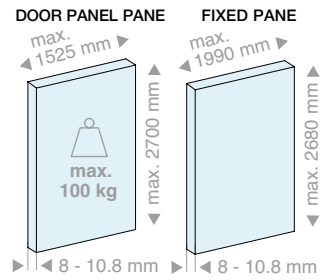


HV max: 2730 mm



Kit comprising:

Art.	Description	Qty
LMGW	Set of accessories for a door	1 Pc
057.3084.200	Ceiling fixing track	1 Pc
057.3085.200	Lower cover	1 Pc
LMU20.150	U profile	1 Pc
042.3005.100	Finishing profile	1 Pc
LMU20TP	Finishing cap	1 Pc
057.3078.002	Finishing gasket	4 m
GTUP2	Glass holder gasket	5 m



Kit comprising:

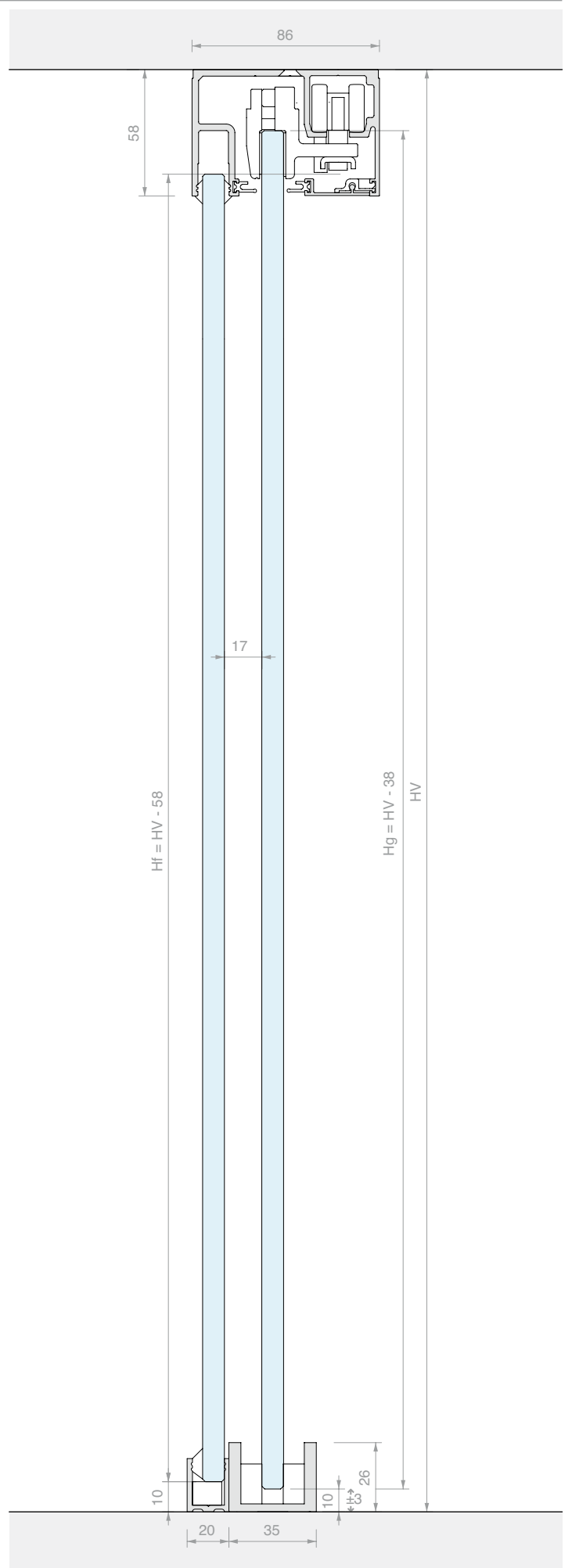
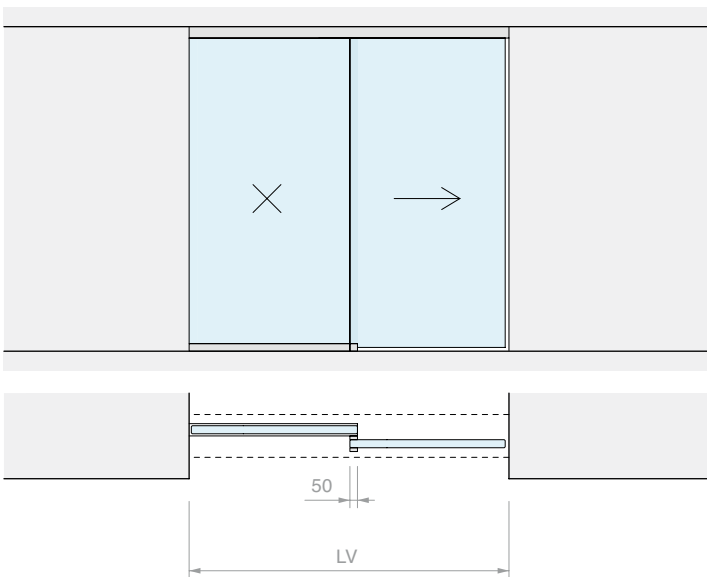
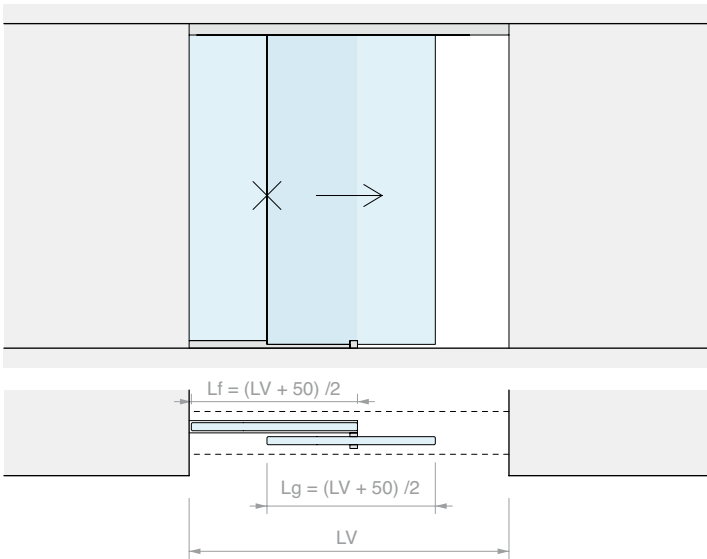
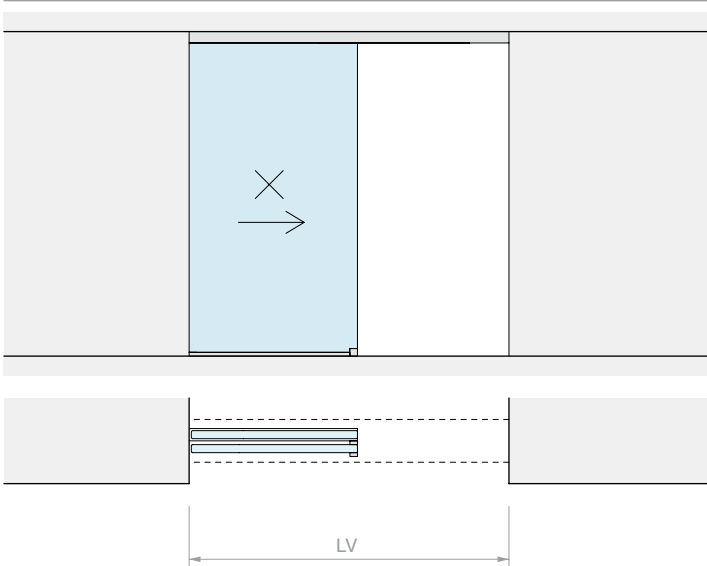
Art.	Description	Qty
LMGW	Set of accessories for a door	1 Pc
057.3084.300	Ceiling fixing track	1 Pc
057.3085.300	Lower cover	1 Pc
LMU20.300	U profile	1 Pc
042.3005.200	Finishing profile	1 Pc
LMU20TP	Finishing cap	1 Pc
057.3078.002	Finishing gasket	6 m
GTUP2	Glass holder gasket	6 m

Optional		
042.3102.072	Softbreak damper, 20-60 kg	1 Pc
042.3102.071	Softbreak damper, 61-100 kg	1 Pc
LMU20.300	U profile	1 Pc

Optional		
042.3102.072	Softbreak damper, 20-60 kg	1 Pc
042.3102.071	Softbreak damper, 61-100 kg	1 Pc
LMU20.300	U profile	1 Pc

Art.	LV max	Qty
LMGWF200	2000 mm	1 Pc

Art.	LV max	Qty
LMGWF300	3000 mm	1 Pc









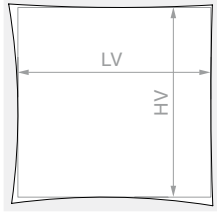
**SLIDING DOOR KIT, CEILING FIXING
DOUBLE DOOR WITH DOUBLE FIXED GLASS**

Material: Aluminium

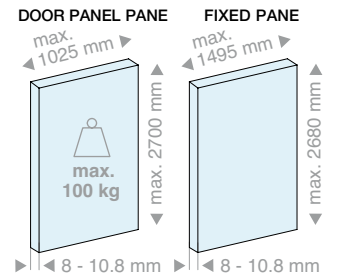
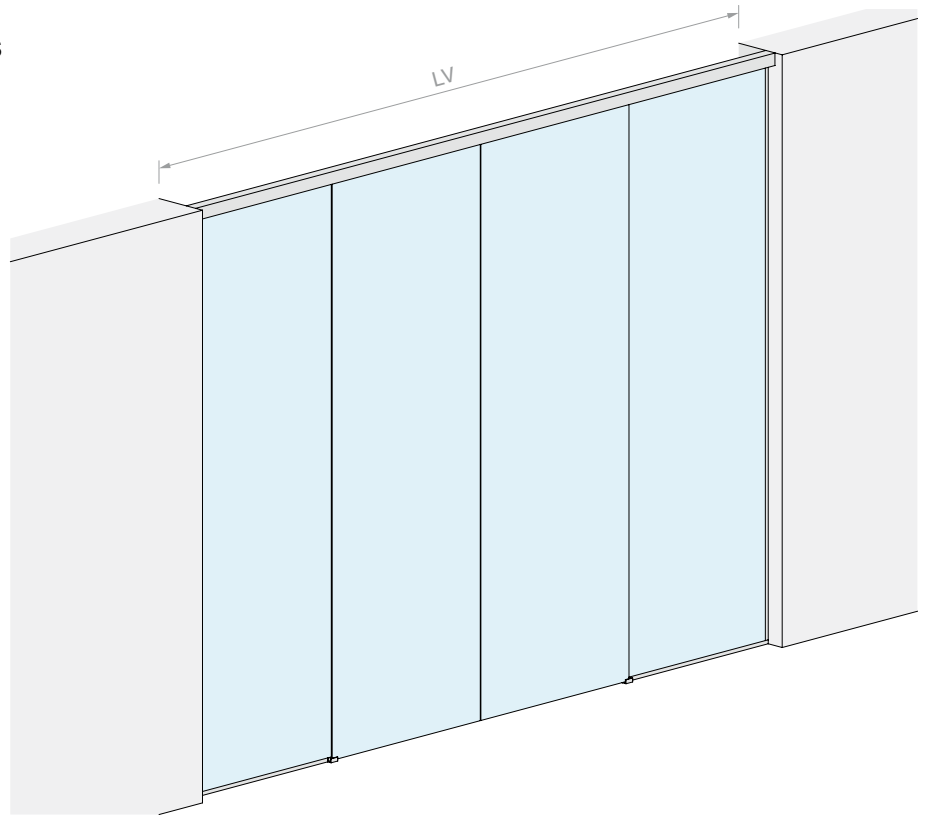
Finish: /88 /97



DOOR OPENING SIZE



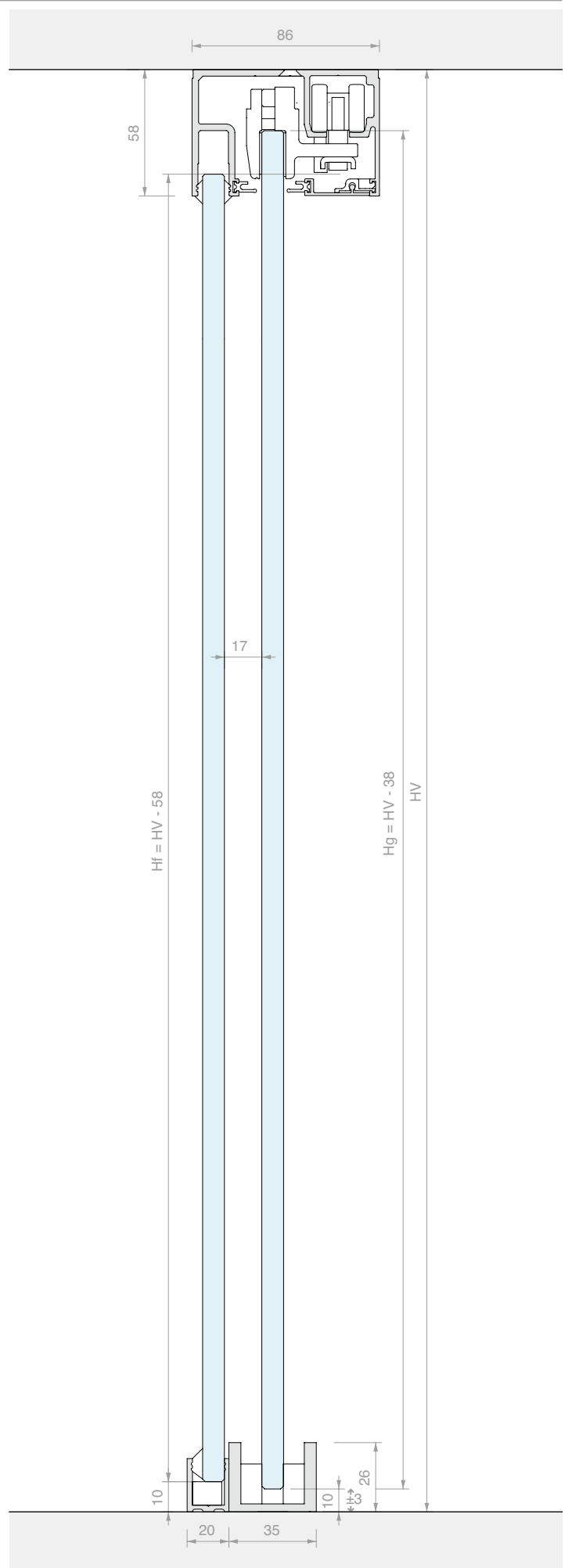
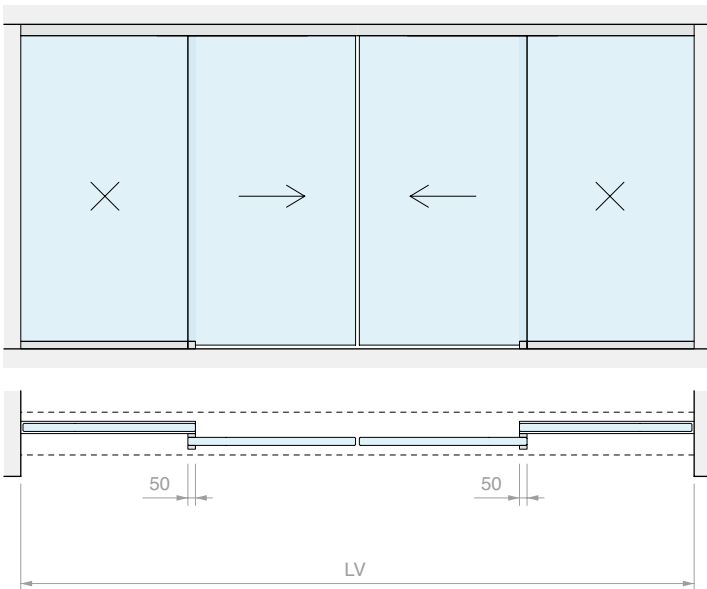
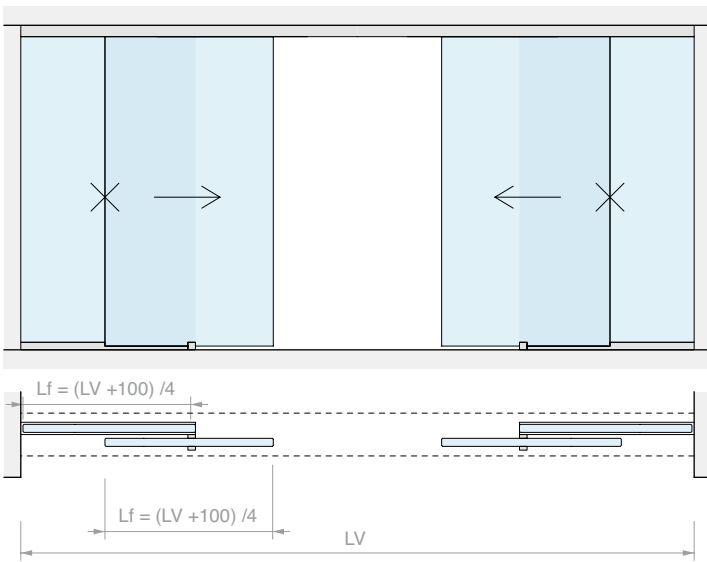
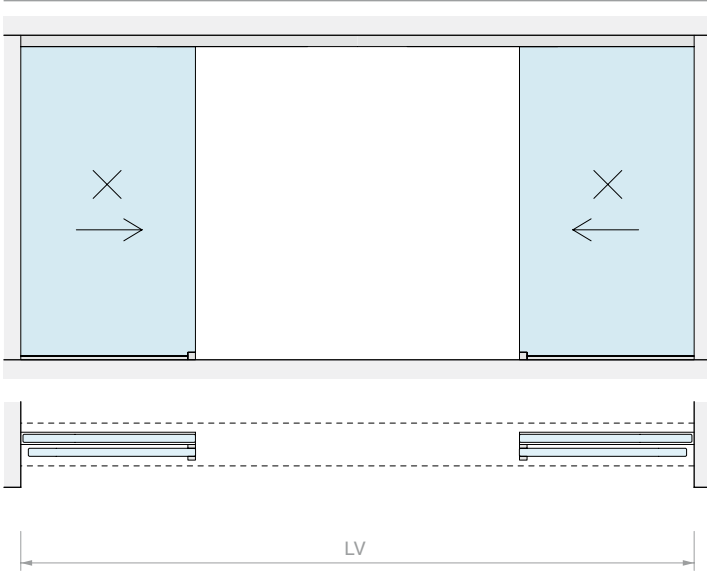
HV max: 2730 mm



Kit comprising:

Art.	Description	Qty
LMGW	Set of accessories for a door	2 Pcs
057.3084.400	Fixed ceiling fixing track	1 Pc
057.3085.400	Lower cover	1 Pc
LMU20.300	U profile	1 Pc
042.3005.300	Finishing profile	1 Pc
LMU20TP	Finishing cap	2 Pcs
057.3078.002	Finishing gasket	8 m
GTUP2	Glass holder gasket	9 m
Optional		
042.3102.072	Softbreak damper, 20-60 kg	1 Pc
042.3102.071	Softbreak damper, 61-100 kg	1 Pc
LMU20.300	U profile	1 Pc
LMSINCRO	Synchronisation kit	1 Pc

Art.	LV max	Qty
LMGWF400	4000 mm	1 Pc









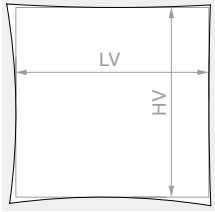
SLIDING DOOR KIT, FLUSH FIT FIXING SINGLE DOOR

Material: Aluminium

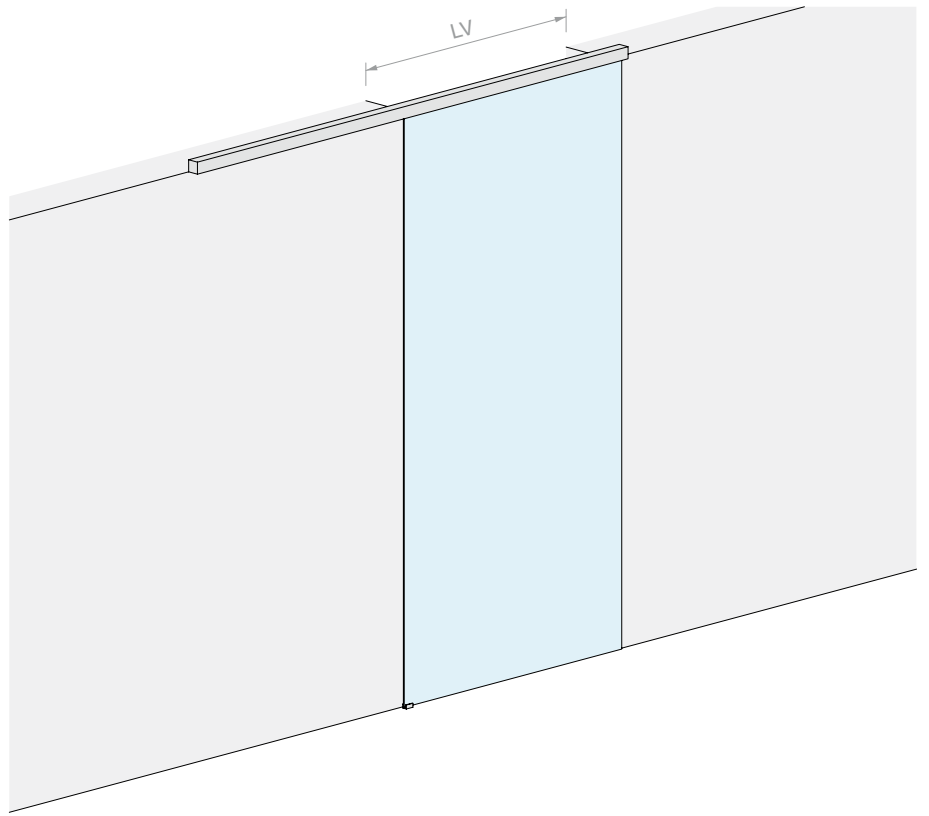
Finish: /88 /97



DOOR OPENING SIZE



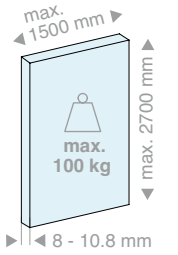
HV max: 2680 mm



DOOR PANEL PANE



DOOR PANEL PANE



Kit comprising:

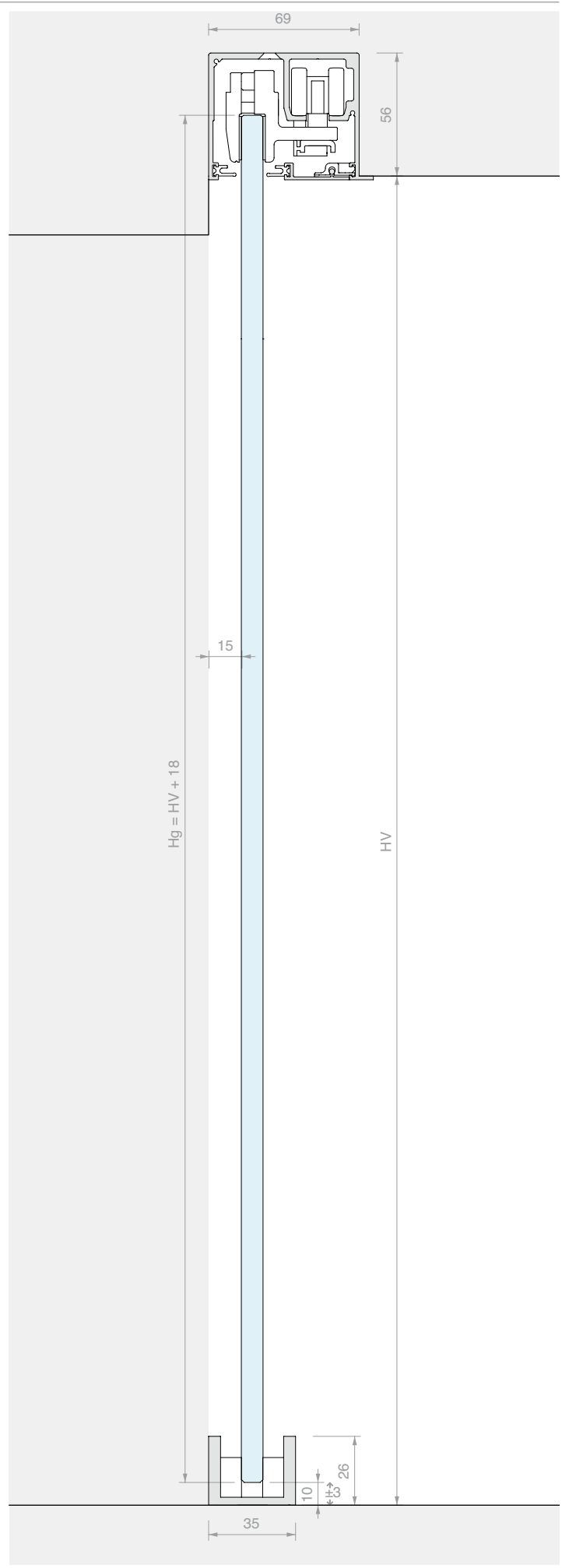
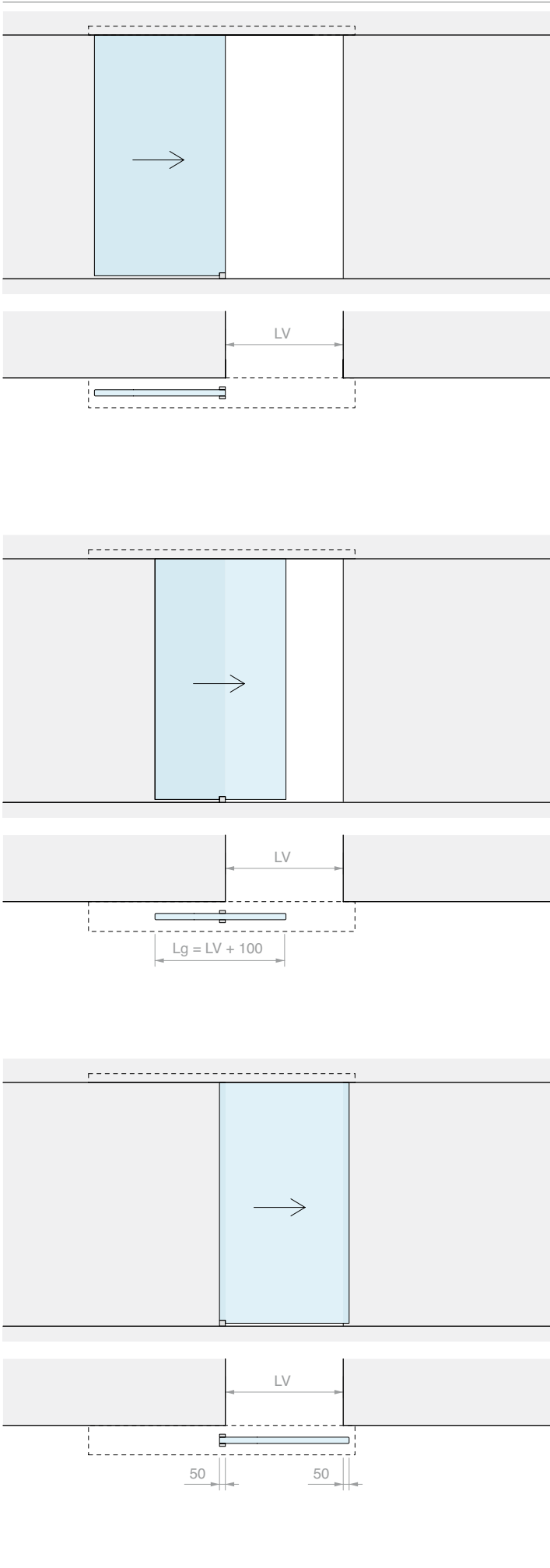
Art.	Description	Qty
LMGW	Set of accessories for a door	1 Pc
LMGWSIB200	Flush fit track	1 Pc
057.3085.200	Lower cover	1 Pc
057.3078.002	Finishing gasket	4 m
Optional		
042.3102.072	Softbreak damper, 20-60 kg	1 Pc
042.3102.071	Softbreak damper, 61-100 kg	1 Pc

Kit comprising:

Art.	Description	Qty
LMGW	Set of accessories for a door	1 Pc
LMGWSIB300	Flush fit track	1 Pc
057.3085.300	Lower cover	1 Pc
057.3078.002	Finishing gasket	6 m
Optional		
042.3102.072	Softbreak damper, 20-60 kg	1 Pc
042.3102.071	Softbreak damper, 61-100 kg	1 Pc

Art.	LV max	Qty
LMGWSI200	900 mm	1 Pc

Art.	LV max	Qty
LMGWSI300	1400 mm	1 Pc









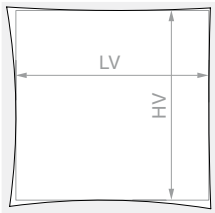
**SLIDING DOOR KIT, FLUSH FIXING
DOUBLE DOOR**

Material: Aluminium

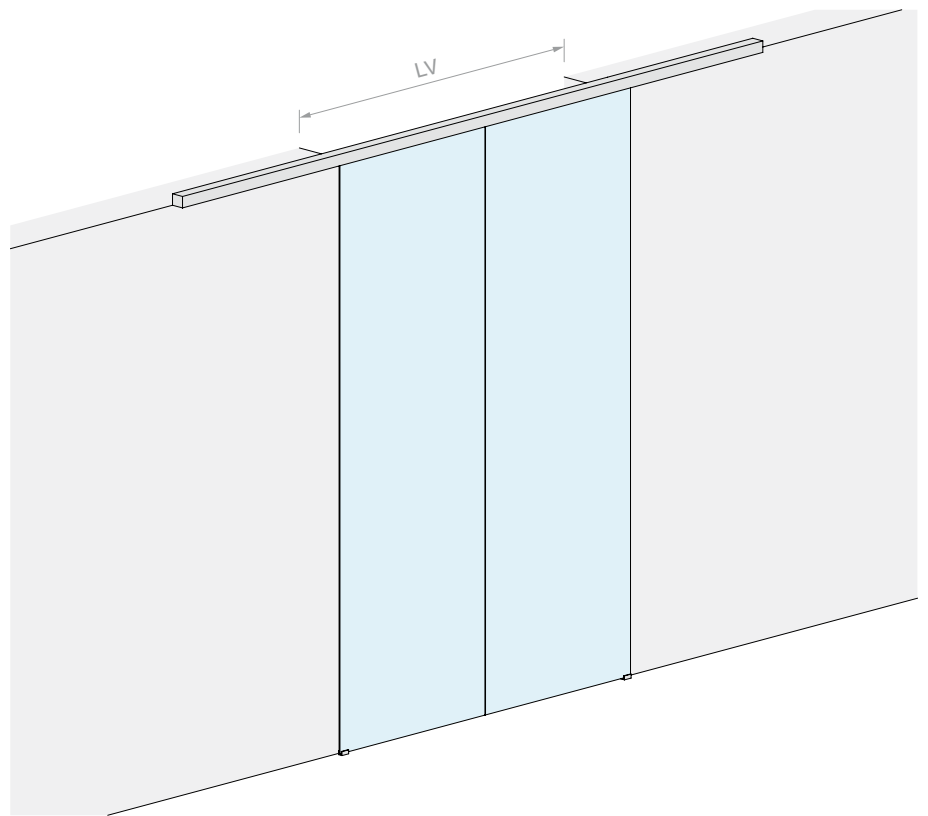
Finish: /88 /97



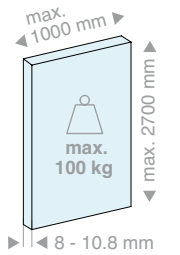
DOOR OPENING SIZE



HV max: 2680 mm



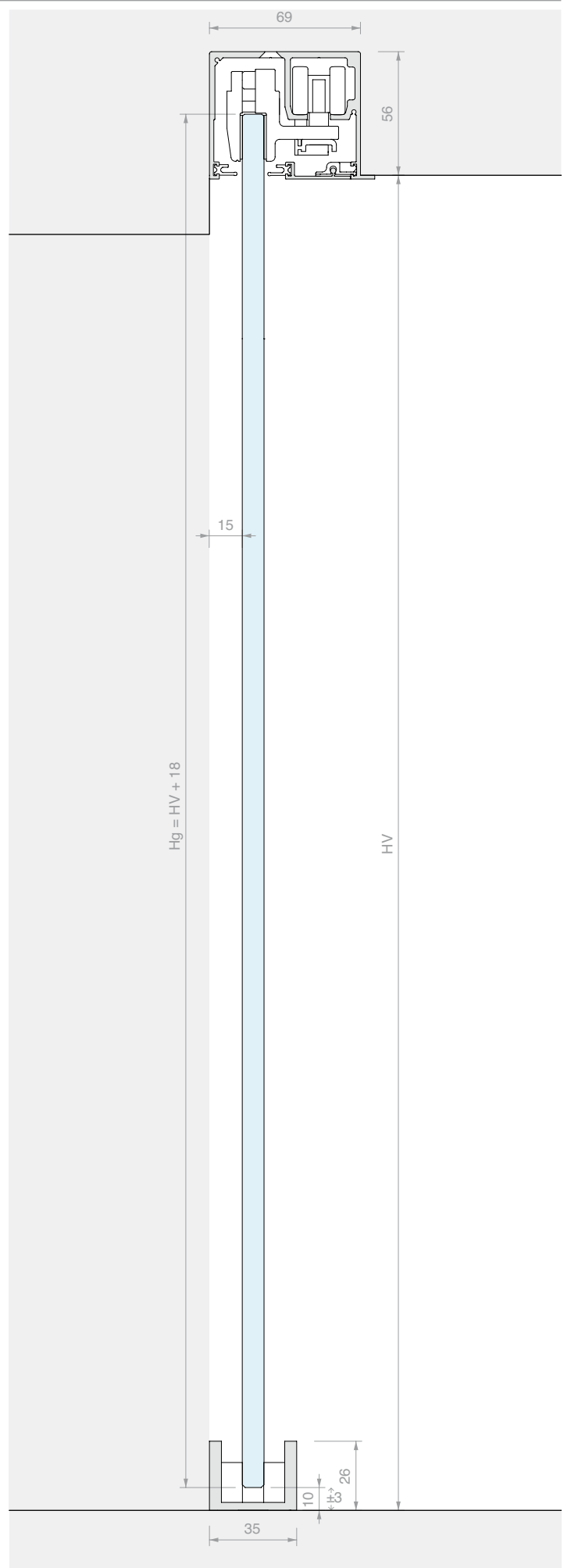
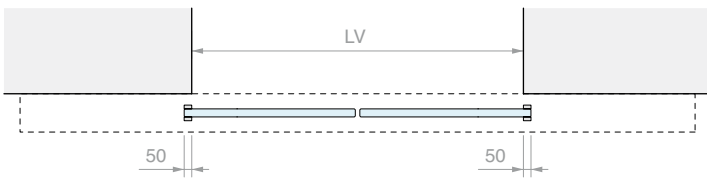
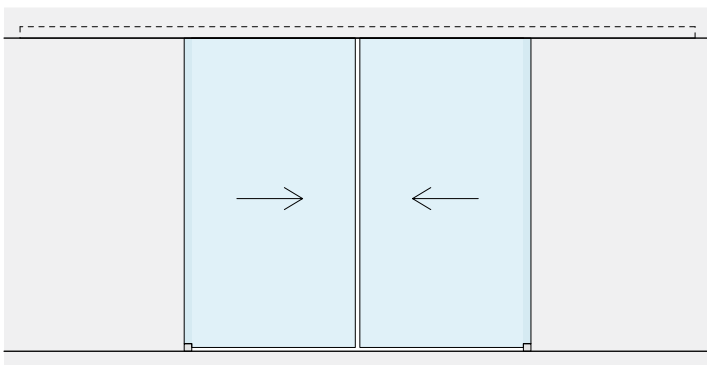
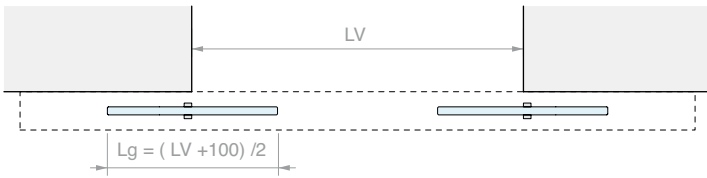
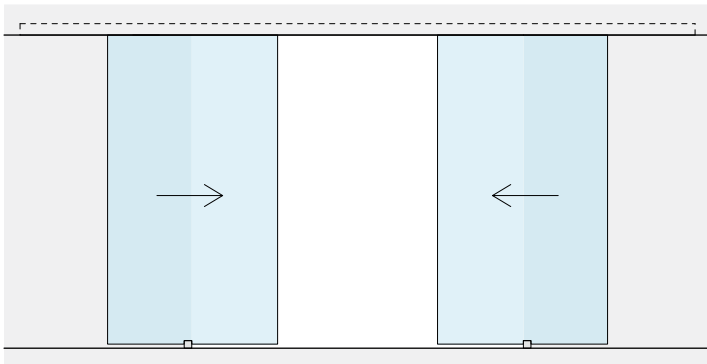
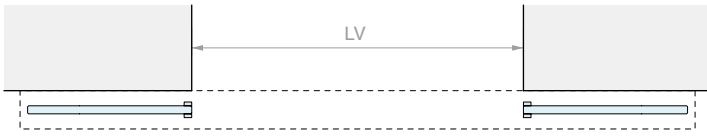
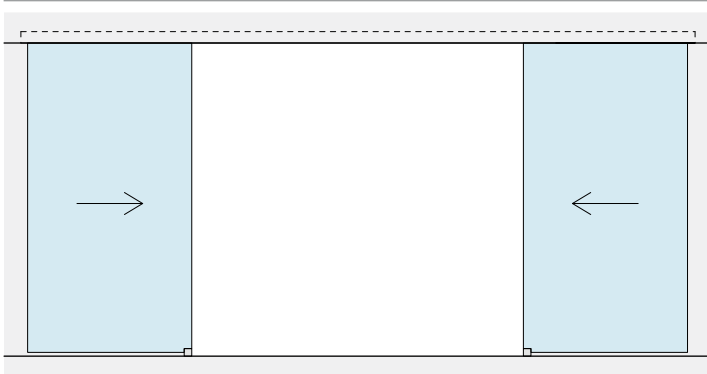
DOOR PANEL PANE



Kit comprising:

Art.	Description	Qty
LMGW	Set of accessories for a door	2 Pcs
LMGWSIB400	Flush fit track	1 Pc
057.3085.400	Lower cover	1 Pc
057.3078.002	Finishing gasket	8 m
Optional		
042.3102.072	Softbreak damper, 20-60 kg	1 Pc
042.3102.071	Softbreak damper, 61-100 kg	1 Pc
LMSINCRO	Synchronisation kit	1 Pc

Art.	LV max	Qty
LMGWSI400	1900 mm	1 Pc





MILK'S BEDD THE BIG BOOK OF CLOTH

PORTUGAL DESIGN COMPLETE

LOOK
ENTRANCE OF JALAN
HEAVEN IN MELAND





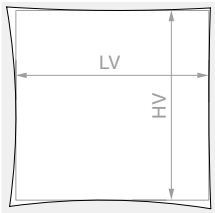
**SLIDING DOOR KIT, FLUSH FIXING
SINGLE DOOR WITH FIXED GLASS**

Material: Aluminium

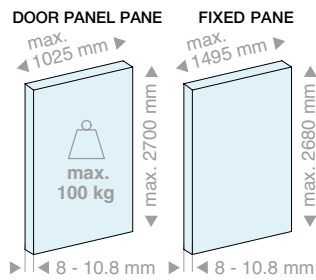
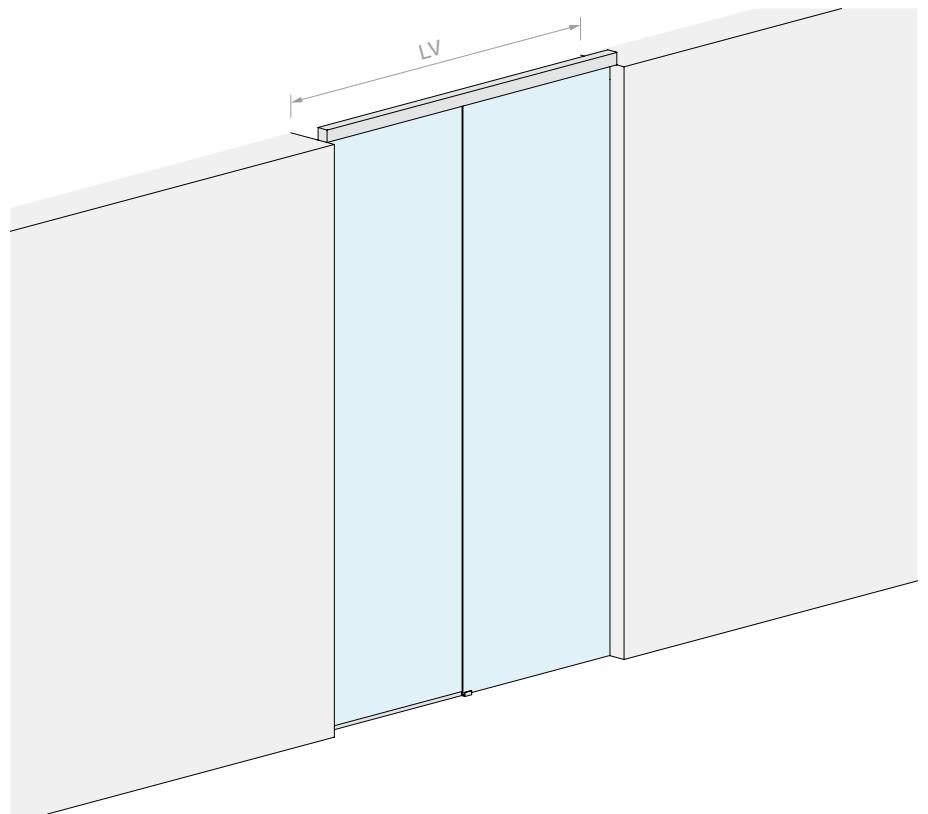
Finish: /88 /97



DOOR OPENING SIZE



HV max: 2680 mm

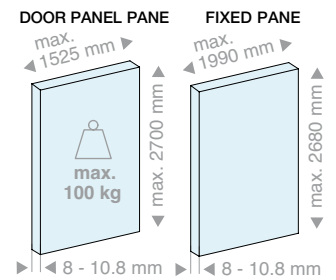


Kit comprising:

Art.	Description	Qty
LMGW	Set of accessories for a door	1 Pc
LMGWI.B200	Fixed flush fit track	1 Pc
057.3085.200	Lower cover	1 Pc
LMU20.150	U profile	1 Pc
042.3005.100	Finishing profile	1 Pc
LMU20TP	Finishing cap	1 Pc
057.3078.002	Finishing gasket	4 m
GTUP2	Glass holder gasket	5 m

Optional

042.3102.072	Softbreak damper, 20-60 kg	1 Pc
042.3102.071	Softbreak damper, 61-100 kg	1 Pc
LMU20.300	U profile	1 Pc



Kit comprising:

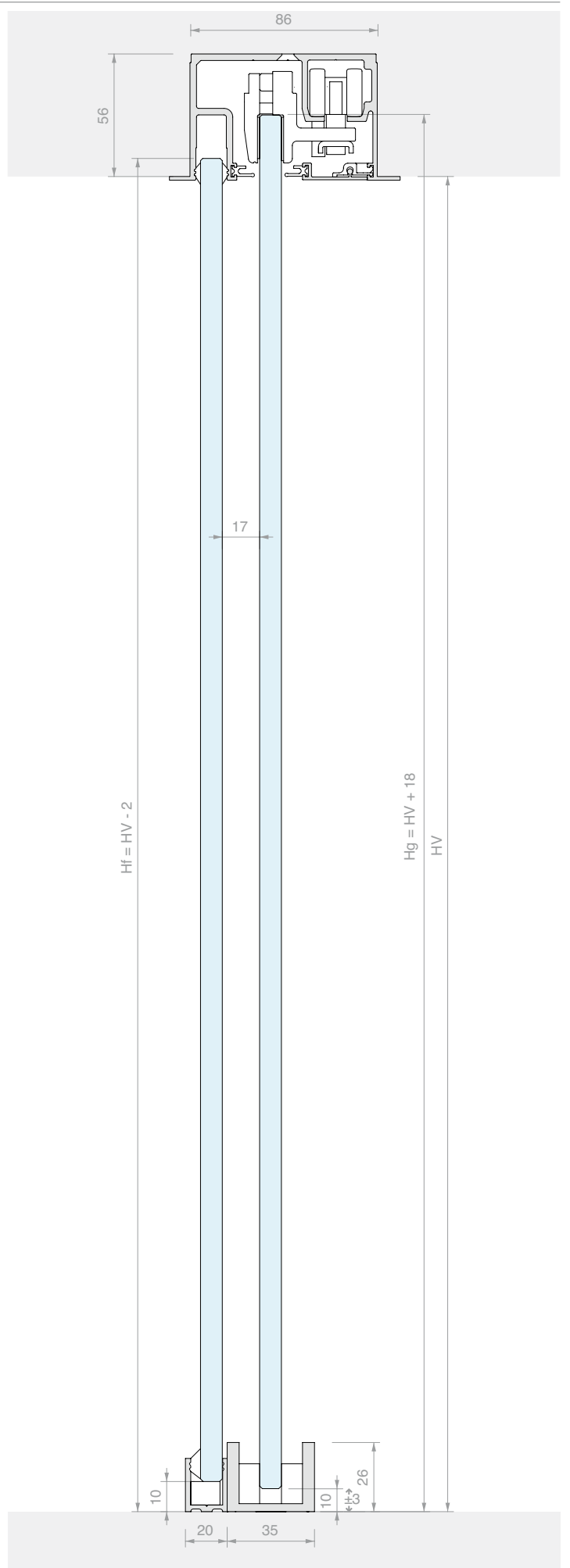
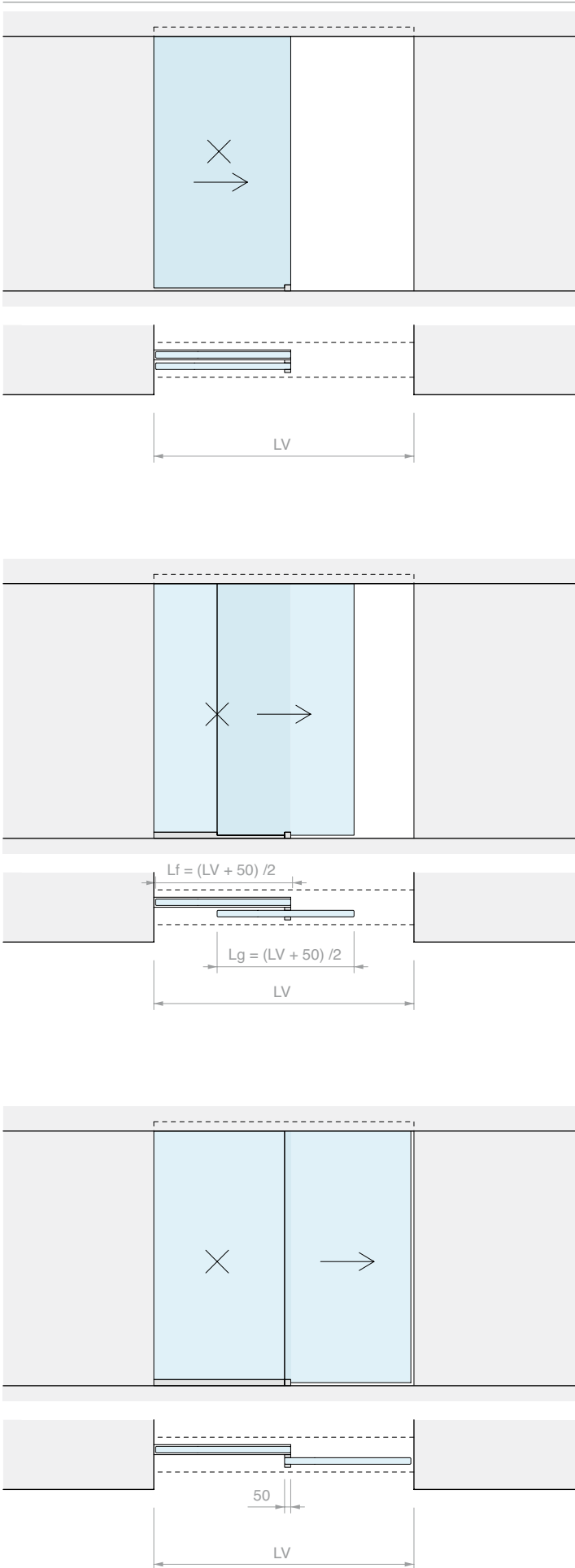
Art.	Description	Qty
LMGW	Set of accessories for a door	1 Pc
LMGWI.B300	Fixed flush fit track	1 Pc
057.3085.300	Lower cover	1 Pc
LMU20.300	U profile	1 Pc
042.3005.200	Finishing profile	1 Pc
LMU20TP	Finishing cap	1 Pc
057.3078.002	Finishing gasket	6 m
GTUP2	Glass holder gasket	6 m

Optional

042.3102.072	Softbreak damper, 20-60 kg	1 Pc
042.3102.071	Softbreak damper, 61-100 kg	1 Pc
LMU20.300	U profile	1 Pc

Art.	LV max	Qty
LMGWI200	2000 mm	1 Pc

Art.	LV max	Qty
LMGWI300	3000 mm	1 Pc









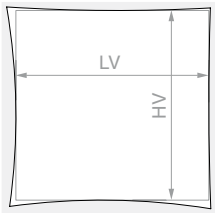
**SLIDING DOOR KIT, FLUSH FIXING
WITH DOUBLE FIXED GLASS**

Material: Aluminium

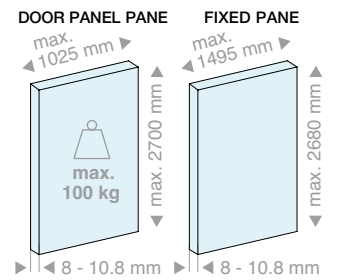
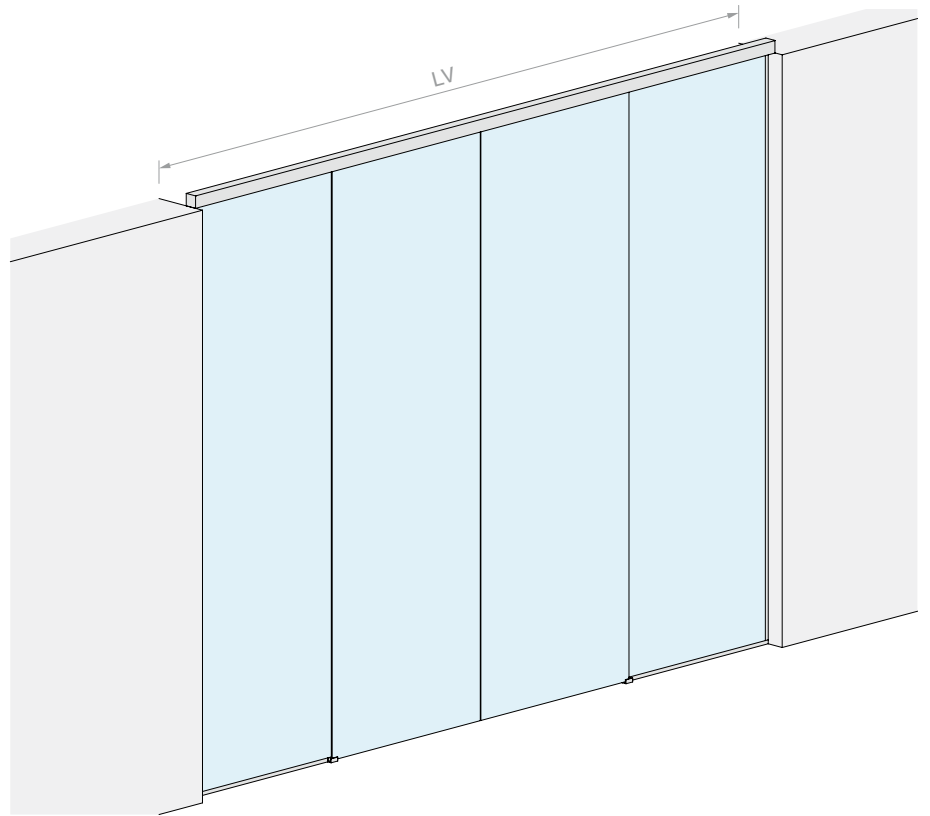
Finish: /88 /97



DOOR OPENING SIZE



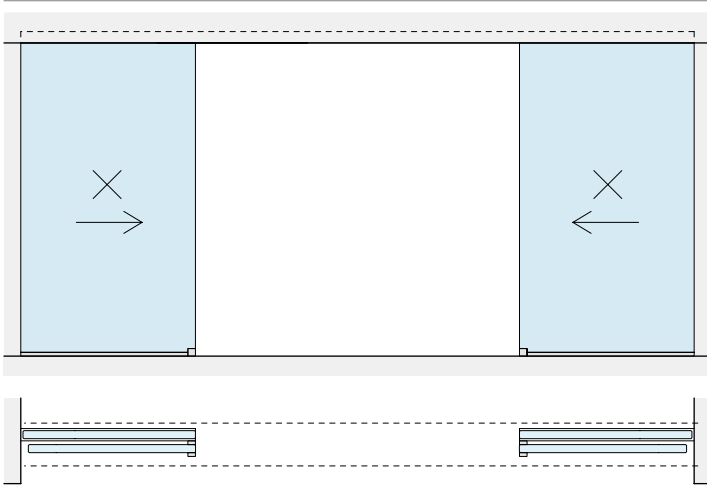
HV max: 2680 mm



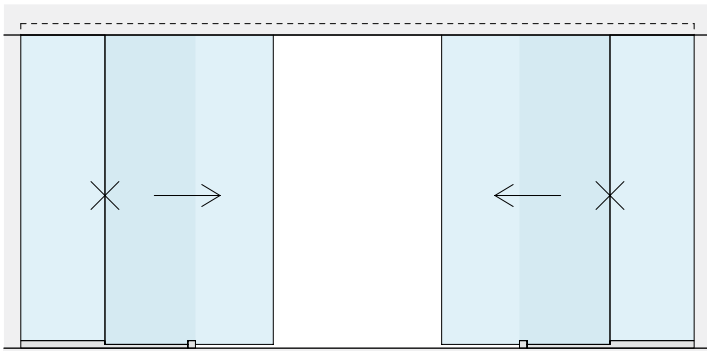
Kit comprising:

Art.	Description	Qty
LMGW	Set of accessories for a door	2 Pcs
LMGWI.B400	Fixed flush fit track	1 Pc
057.3085.400	Lower cover	1 Pc
LMU20.300	U profile	1 Pc
042.3005.300	Finishing profile	1 Pc
LMU20TP	Finishing cap	2 Pcs
057.3078.002	Finishing gasket	8 m
GTUP2	Glass holder gasket	9 m
Optional		
042.3102.072	Softbreak damper, 20-60 kg	1 Pc
042.3102.071	Softbreak damper, 61-100 kg	1 Pc
LMU20.300	U profile	1 Pc
LMSINCRO	Synchronisation kit	1 Pc

Art.	LV max	Qty
LMGWI400	4000 mm	1 Pc



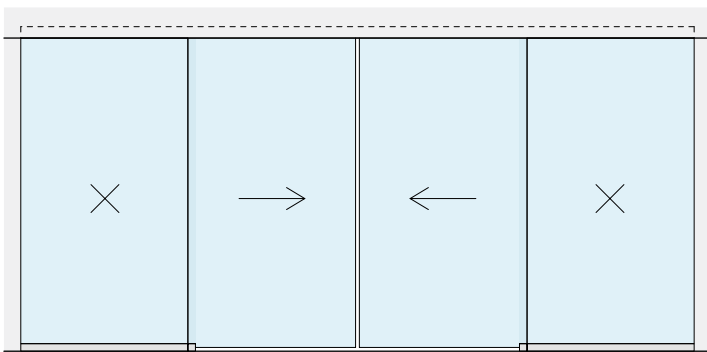
LV



$L_f = (LV + 100) / 4$

$L_f = (LV + 100) / 4$

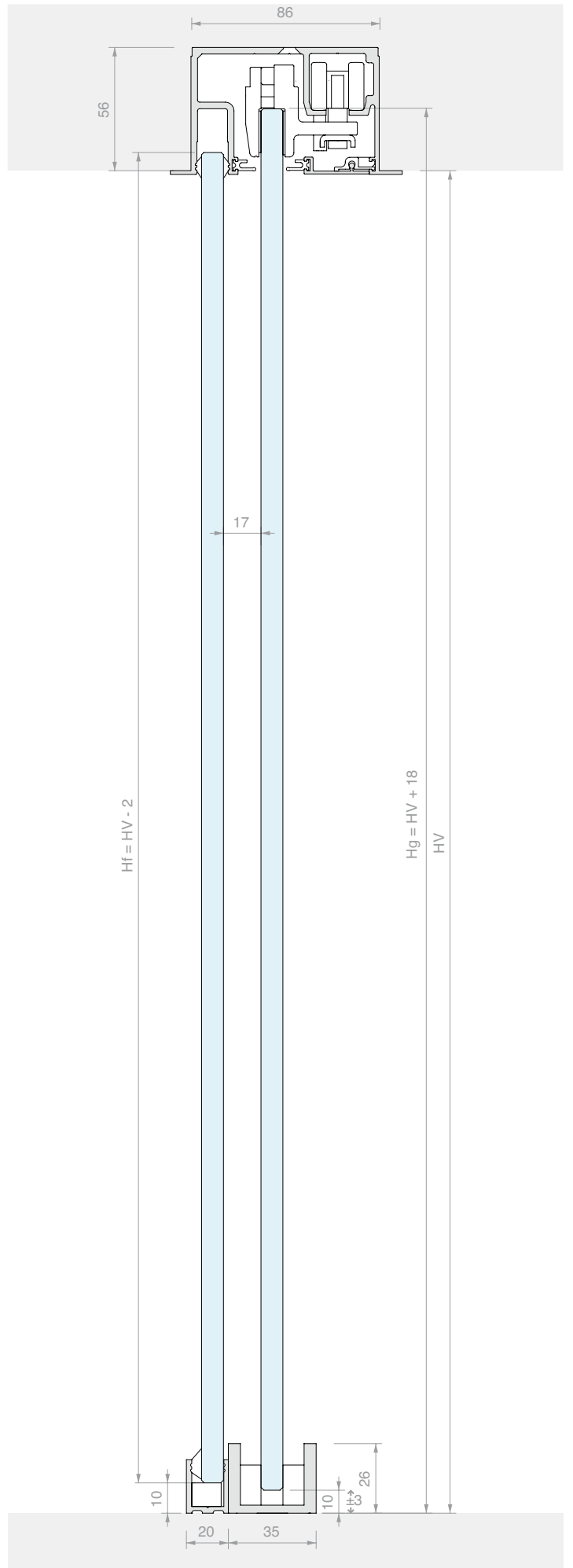
LV



50

50

LV



$H_f = HV - 2$

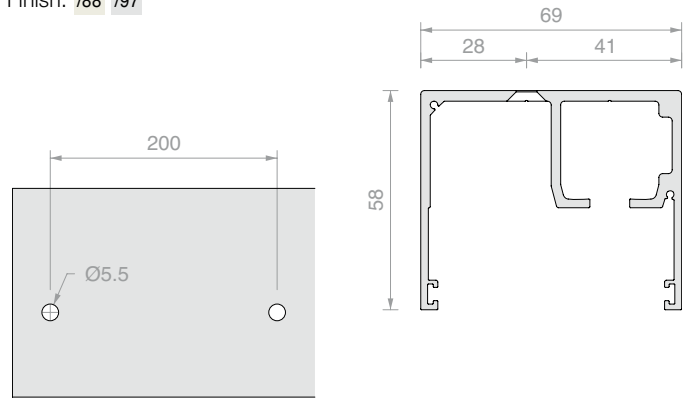
$H_g = HV + 18$
HV



CEILING FIXING TRACK

Material: Aluminium

Finish: /88 /97



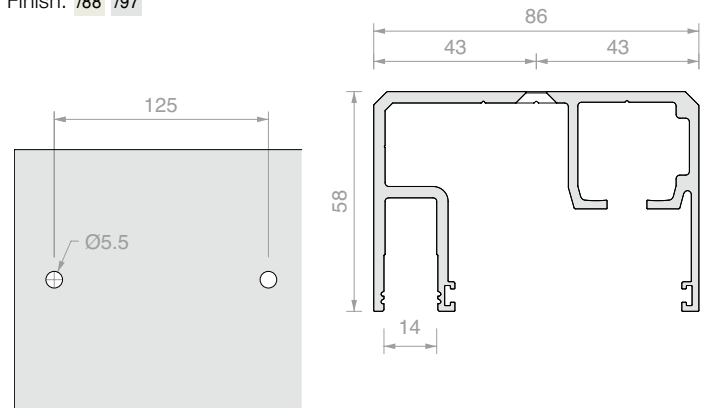
Art.	Length	Qty
LMGWSB200	2000 mm	1 Pc
LMGWSB300	3000 mm	1 Pc
LMGWSB400	4000 mm	1 Pc
LMGWSB600	6000 mm	1 Pc



FIXED CEILING FIXING TRACK

Material: Aluminium

Finish: /88 /97



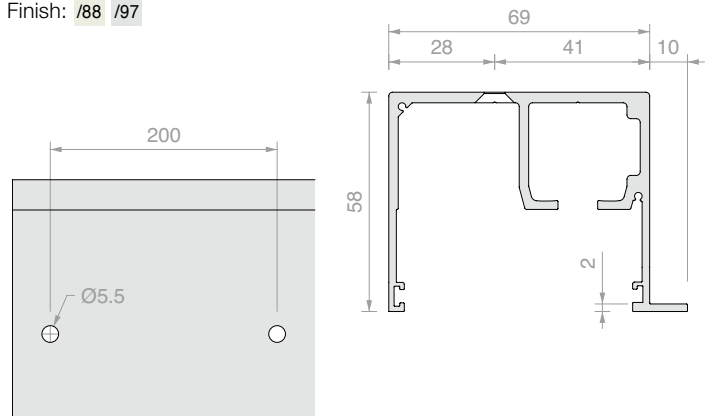
Art.	Length	Qty
057.3084.200	2000 mm	1 Pc
057.3084.300	3000 mm	1 Pc
057.3084.400	4000 mm	1 Pc
057.3084.600	6000 mm	1 Pc



FLUSH FIT TRACK

Material: Aluminium

Finish: /88 /97



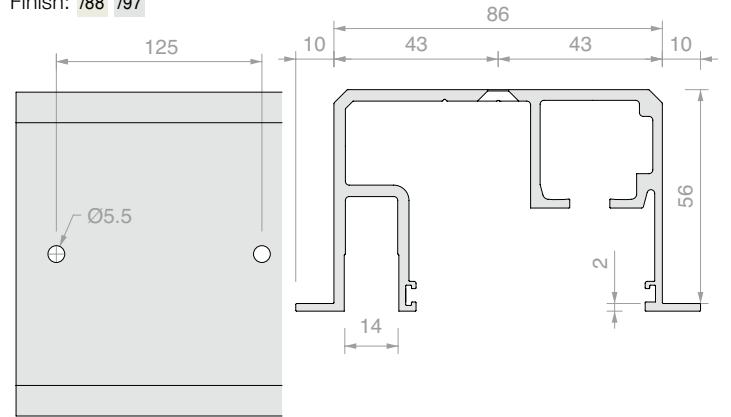
Art.	Length	Qty
LMGWSIB200	2000 mm	1 Pc
LMGWSIB300	3000 mm	1 Pc
LMGWSIB400	4000 mm	1 Pc
LMGWSIB600	6000 mm	1 Pc



FLUSH FIT TRACK WITH FIXED GLASS

Material: Aluminium

Finish: /88 /97



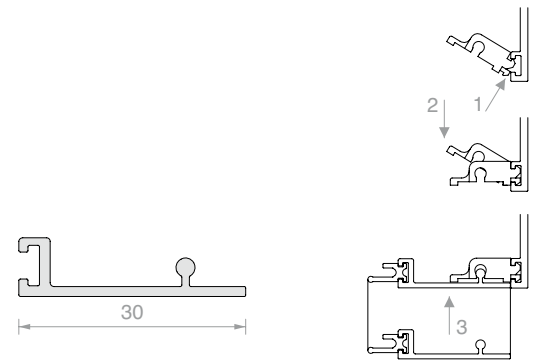
Art.	Length	Qty
LMGWI.B200	2000 mm	1 Pc
LMGWI.B300	3000 mm	1 Pc
LMGWI.B400	4000 mm	1 Pc
LMGWI.B600	6000 mm	1 Pc



LOWER COVER

Material: Aluminium

Finish: /88 /97



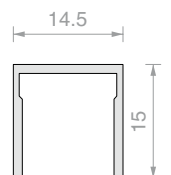
Art.	Length	Qty
057.3085.200	2000 mm	1 Pc
057.3085.300	3000 mm	1 Pc
057.3085.400	4000 mm	1 Pc
057.3085.600	6000 mm	1 Pc



FINISHING PROFILE FOR SEATING FIXED GLASS

Material: Aluminium

Finish: /88 /97



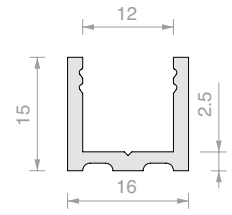
Art.	Length	Qty
042.3005.100	1000 mm	1 Pc
042.3005.200	2000 mm	1 Pc
042.3005.300	3000 mm	1 Pc
042.3005.400	4000 mm	1 Pc
042.3005.600	6000 mm	1 Pc



U PROFILE

Material: Aluminium

Finish: /6 /88 /91 /97



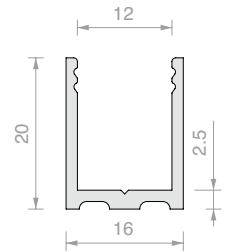
Art.	Length	Qty
PBD3183.150	1498 mm	1 Pc
PBD3183.220	2200 mm	1 Pc
PBD3183	3000 mm	1 Pc



U PROFILE

Material: Aluminium

Finish: /6 /88 /91 /97



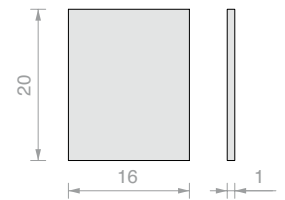
Art.	Length	Qty
LMU20.100	996 mm	1 Pc
LMU20.150	1498 mm	1 Pc
LMU20.300	3000 mm	1 Pc



FINISHING CAP

Material: Aluminium

Finish: /88 /91 /97 /R2



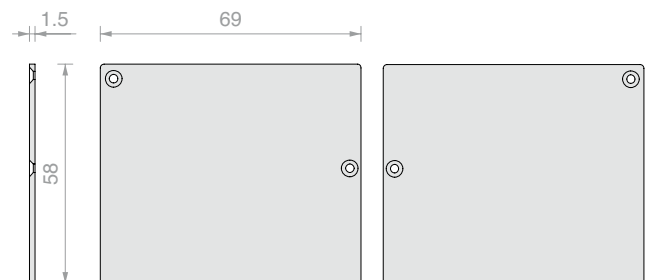
Art.	Qty
LMU20TP	1 Pc



PAIR OF END CAPS FOR LMGWSB / LMGWSIB

Material: Aluminium

Finish: /88 /97



Art.	Qty
LMGWST01	1 Pc

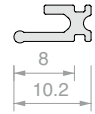


FINISHING GASKET

Material: Rubber

Colour: black

To be inserted into profiles Art. LMGWB, 057.3084, 057.3085, LMGWSIB, LMGWI



Art.	Qty
057.3078.002	1 m



GLASS HOLDER SEAL

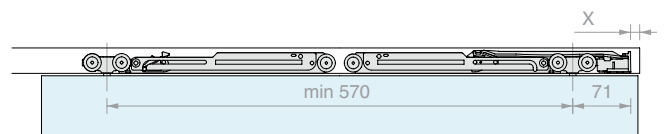
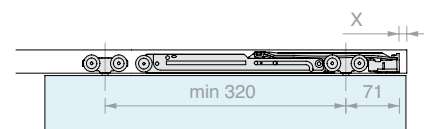
Material: PVC

Art.	Thickness	Colour	Qty	Art.	Thickness	Colour	Qty	Art.	Thickness	Colour	Qty
GTUP2	2 mm	Transparent	1 m	GTUP2G	2 mm	Embossed	1 m	GTUP2N	2 mm	Black	1 m
GTUP3	3 mm	Transparent	1 m	GTUP3G	3 mm	Embossed	1 m	GTUP3N	3 mm	Black	1 m
GTUP4	4 mm	Transparent	1 m	GTUP4G	4 mm	Embossed	1 m	GTUP4N	4 mm	Black	1 m
GTUP5	5 mm	Transparent	1 m	GTUP5G	5 mm	Embossed	1 m	GTUP5N	5 mm	Black	1 m
GTUP6	6 mm	Transparent	1 m	GTUP6G	6 mm	Embossed	1 m	GTUP6N	6 mm	Black	1 m



SOFTBREAK DAMPER

Material: ABS, zamak and steel



Art.	Load	Qty
042.3102.072	From 20 to 60 kg	1 Pc
042.3102.071	From 61 to 100 kg	1 Pc



SET OF ACCESSORIES FOR A DOOR

- composed of:
- 2 Pcs Rollers with screw
- 2 Pcs Clamps
- 1 Pc Stop with buffer
- 1 Pc Stop without buffer
- 12 Pcs Clip for cover
- 1 Pc Floor guide
- Finish: /88 /97

Art.	For glass	Load	Qty
LMGW	From 8 to 10.8 mm	100 kg	1 Pc



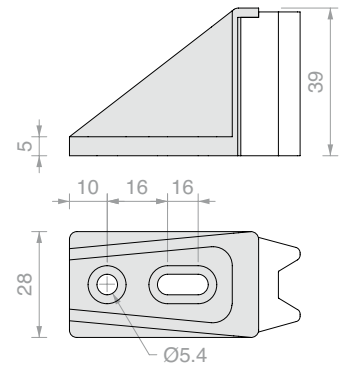
SYNCHRONISATION KIT FOR 2 IN-LINE DOORS

Art.	Q.ty
LMSINCRO	1 Pc



BOTTOM STOP

Material: Zamak
Finish: /97

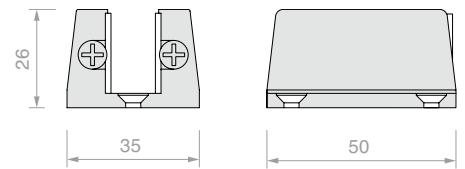


Art.	Qty
057.3099.071	1 Pc



ADJUSTABLE FLOOR GUIDE

Material: aluminium
Finish: /88 /91 /97 /R2

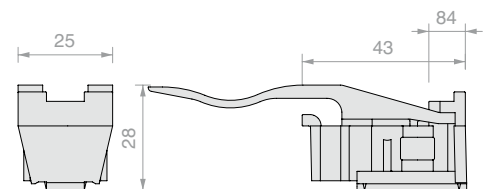


Art.	For glass	Qty
057.3030.071	From 6 to 12.7 mm	1 Pc



END STOP WITH BUFFER

Material: ABS

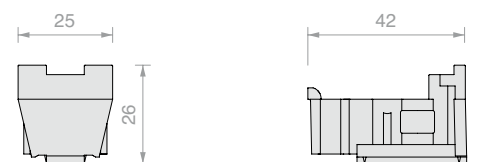


Art.	Q.ty
057.3073.072	1 Pc



END STOP WITHOUT BUFFER

Material: ABS



Art.	Q.ty
057.3073.071	1 Pc

Forme

Smaller profiles for finishing glass door panels.
Applied to the glass with a 0.5 mm thick two-sided tape,
silicone or UV bonding.
Select the right guide and accessories for holding the glass
and your edging profile.

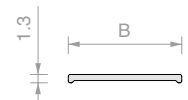




FLAT PROFILE FORME SERIES

Material: Aluminium

Finish: /6 /88 /97 /RAL



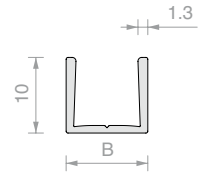
Art.	B	Length	Qty
FOP10.30	10 mm	3000 mm	1 Pc
FOP15.30	15 mm	3000 mm	1 Pc
FOP20.30	20 mm	3000 mm	1 Pc



U PROFILE, FORME SERIES

Material: Aluminium

Finish: /6 /88 /97 /RAL



Art.	B	Length	For glass	Qty
FOU1011.30	10.8 mm	3000 mm	8 mm	1 Pc
FOU1013.30	12.8 mm	3000 mm	10 mm	1 Pc



TESA® ACX^{plus} DOUBLE-SIDED TAPE

Transparent double-sided tape for fixing glass, steel and aluminium.

The paper liner makes manual application of the tape easier.

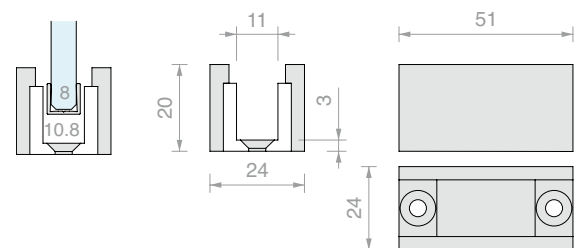
Art.	Dimensions	Thickness	Qty
TS250065	6 mm x 25 m	0.5 mm	1 Pc
TS250125	12 mm x 25 m	0.5 mm	1 Pc
TS250155	15 mm x 25 m	0.5 mm	1 Pc



FLOOR GUIDE

Material: Aluminium

Finish: /88 /97 /R2



Art.	For profile	Qty
LMGF	FOU1011	1 Pc

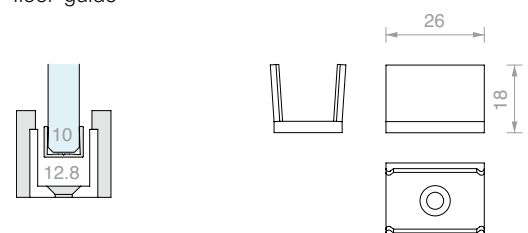


ADAPTOR FOR GUIDE LMGF

Accessory for inserting into the LMGF floor guide

Material: POM

Finish: /56



Art.	For profile	Qty
LMGF13-POM	FOU1013	1 Pc

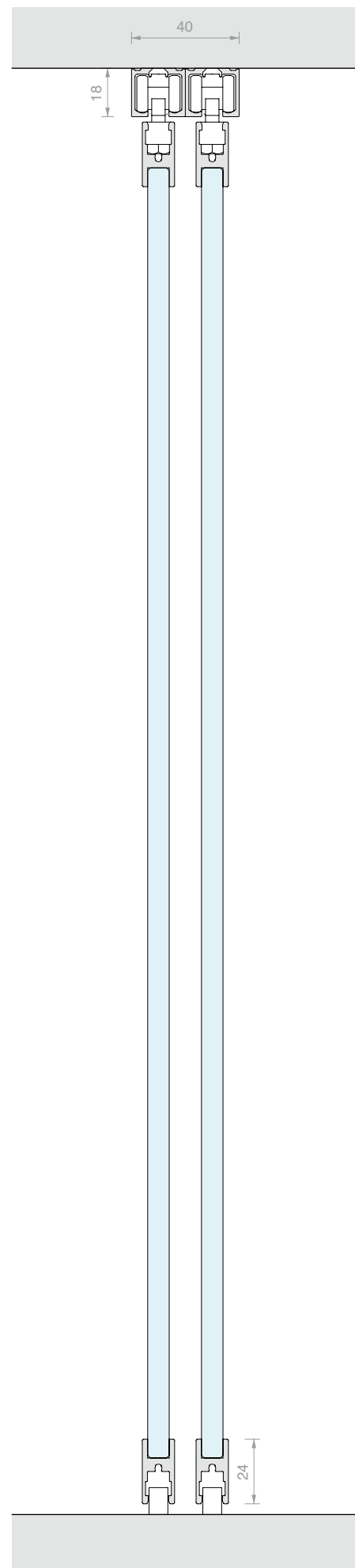
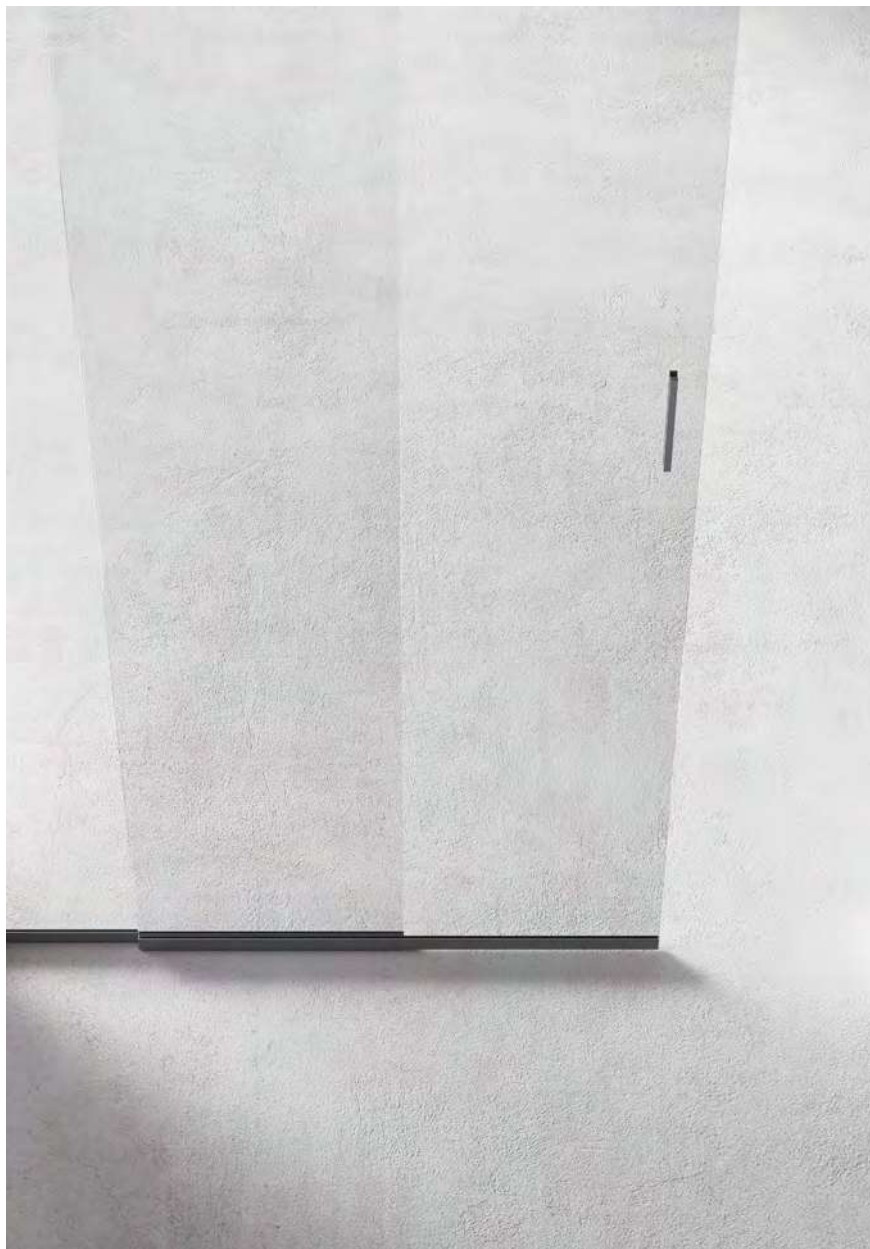
LM CLIPO

Design

The LM CLIPO 36 system combines versatility with small dimensions to create walk-in wardrobes and doors up to 1000 mm x 2100 mm.

Designed for glass thicknesses from 6 to 8 mm in two different configurations: with upper and lower glass-holder profile, model GPPK, or with upper glass-holder profile and U-shaped lower guide, model GPK.

The LM CLIPO 36 models can also be combined with the convenience of a soft close for doors weighing up to 36 kg.





/6
Matt black



/88
Brushed steel effect
aluminium

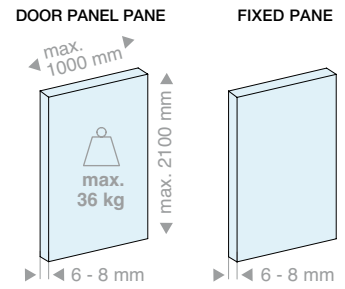


/97
Matt aluminium



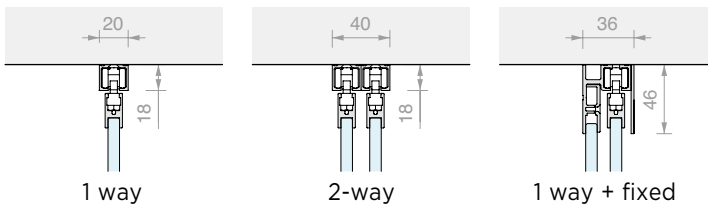
LM CLIPO

Technical properties

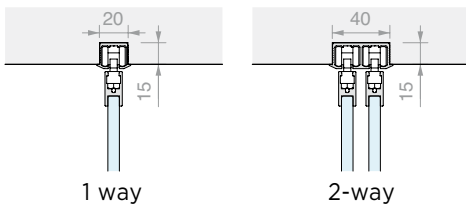


3 types of installation

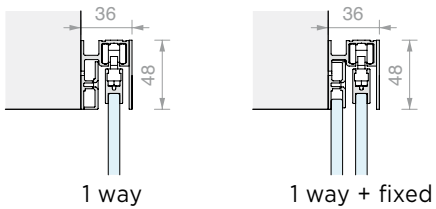
Ceiling



Ceiling, flush fit

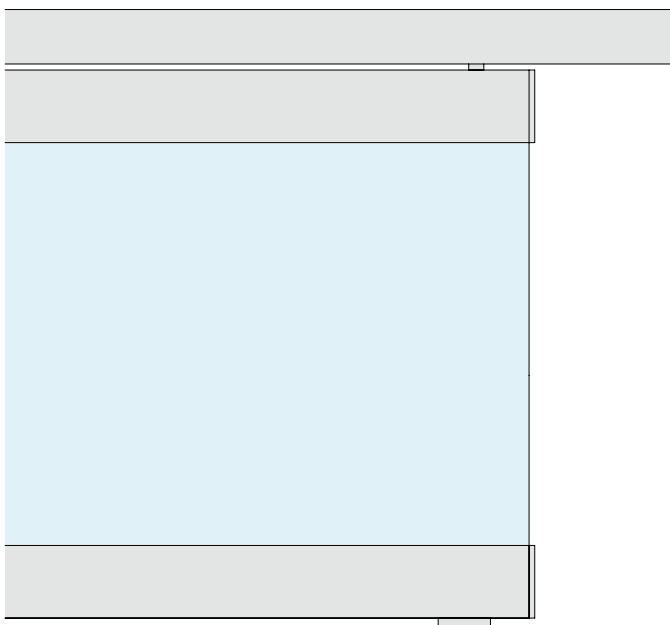


Wall



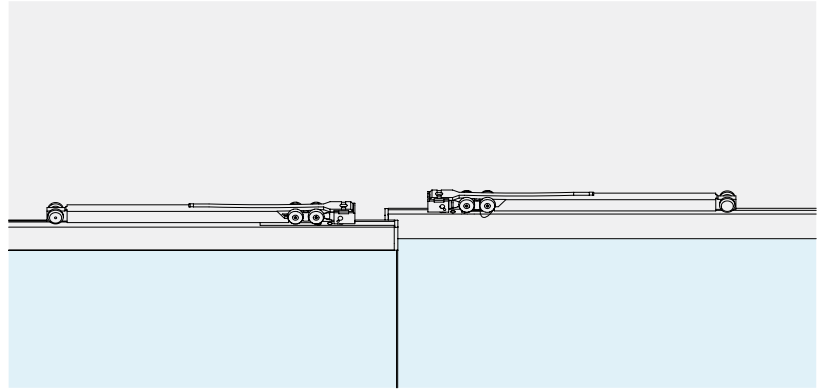
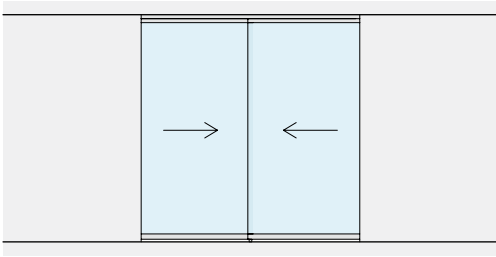
2 types of door installation

GPPK



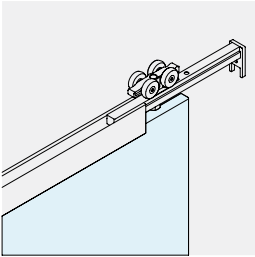
GPK





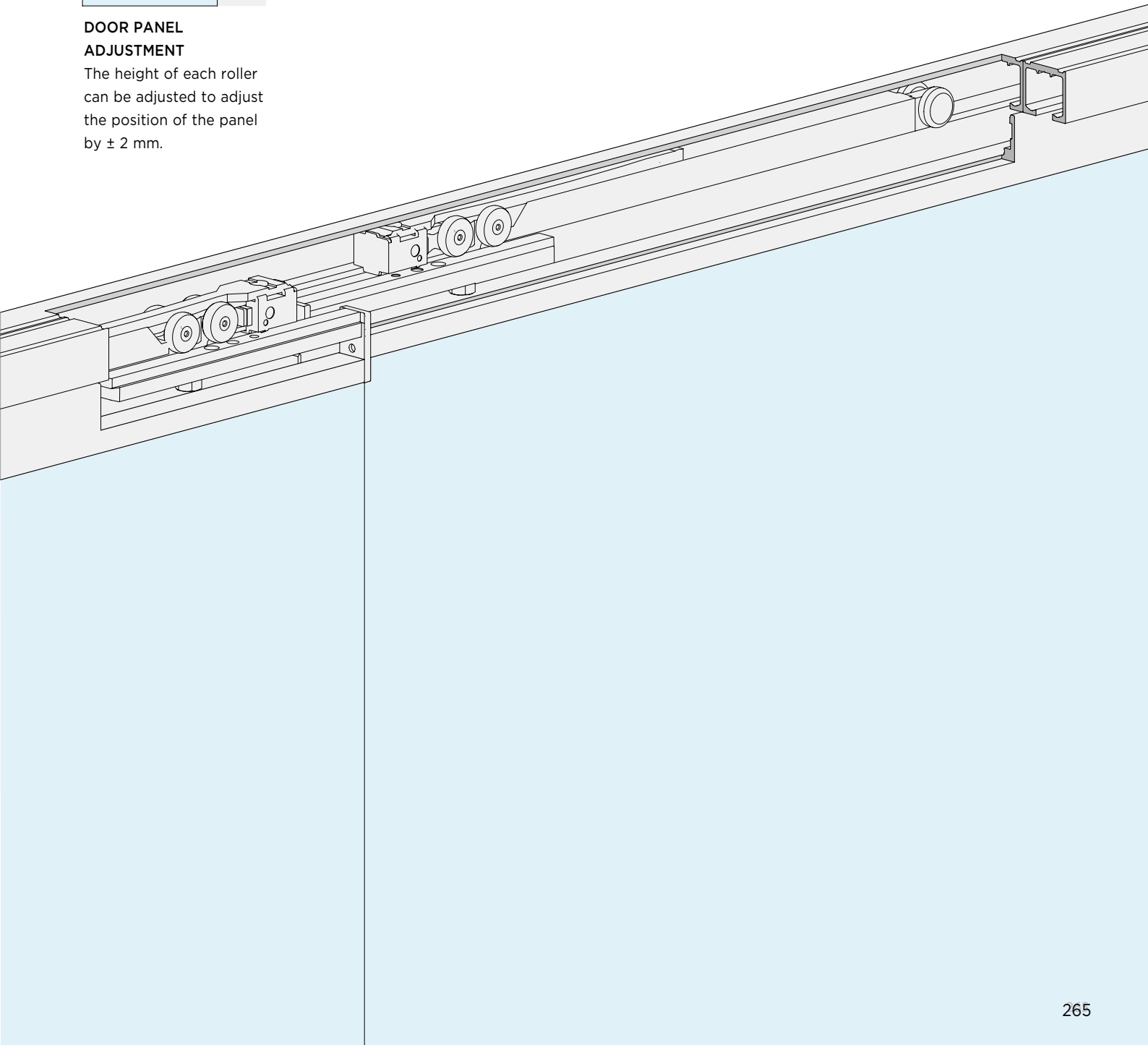
SOFT CLOSE

The use of dampers gives controlled, gentle opening and closing.



DOOR PANEL ADJUSTMENT

The height of each roller can be adjusted to adjust the position of the panel by ± 2 mm.



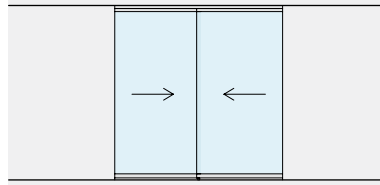


LM CLIPO

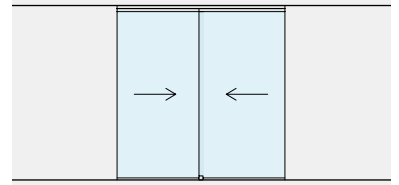
Kit

CEILING FIXING

MOVING DOORS

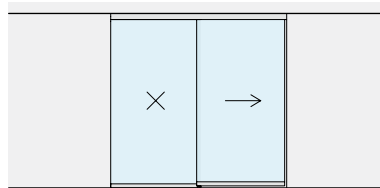


Page 270

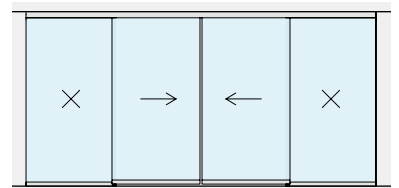


Page 272

MOVING DOORS
WITH FIXED GLASS



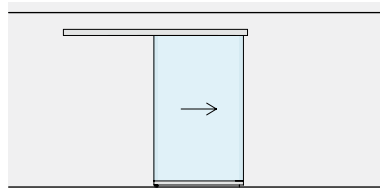
Page 276



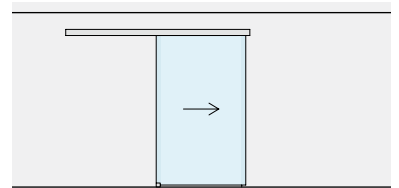
Page 280

WALL FIXING

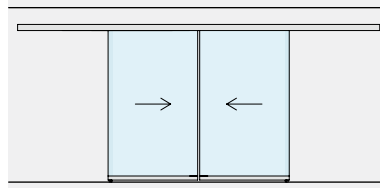
MOVING DOORS



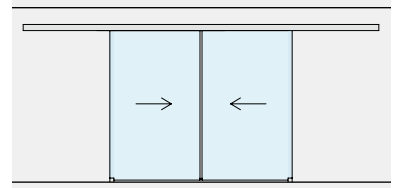
Page 284



Page 292

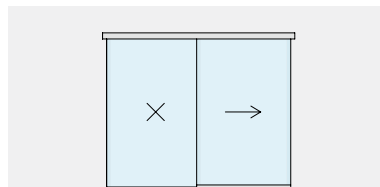


Page 288

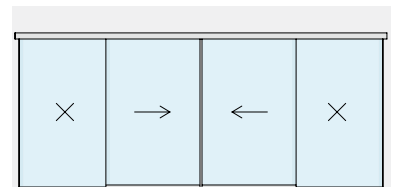


Page 296

MOVING DOORS
WITH FIXED GLASS



Page 300



Page 304







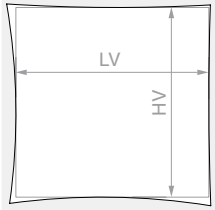
CEILING FIXING SLIDING DOOR KIT TWO INDEPENDENT DOORS WITH GPPK LOWER GLASS HOLDER PROFILE

Material: Aluminium

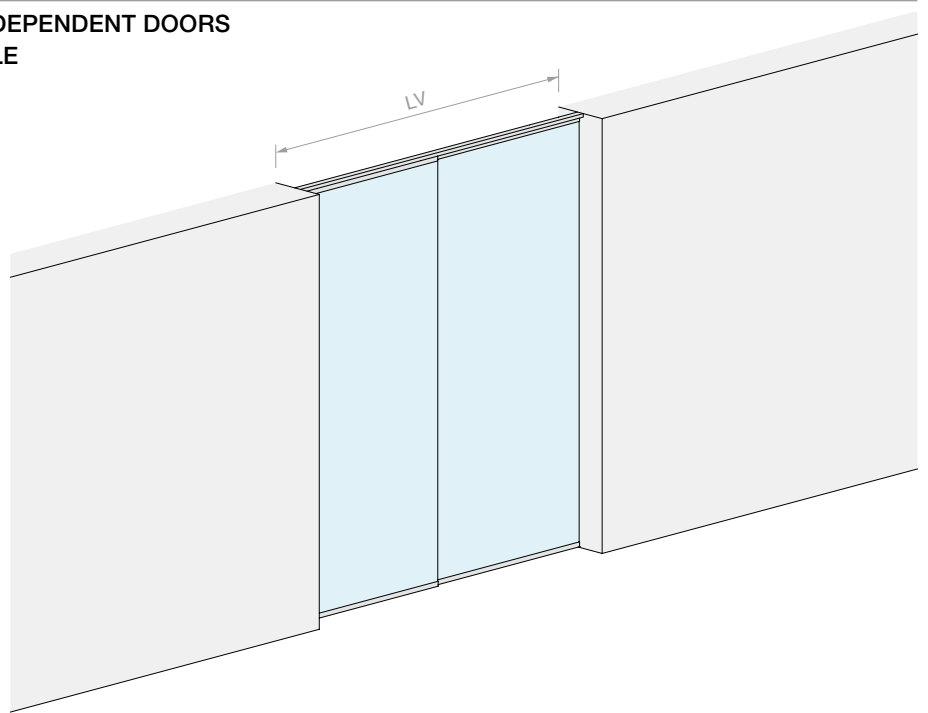
Finish: /6 /88 /97



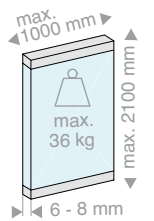
DOOR OPENING SIZE



HV max: 2160 mm



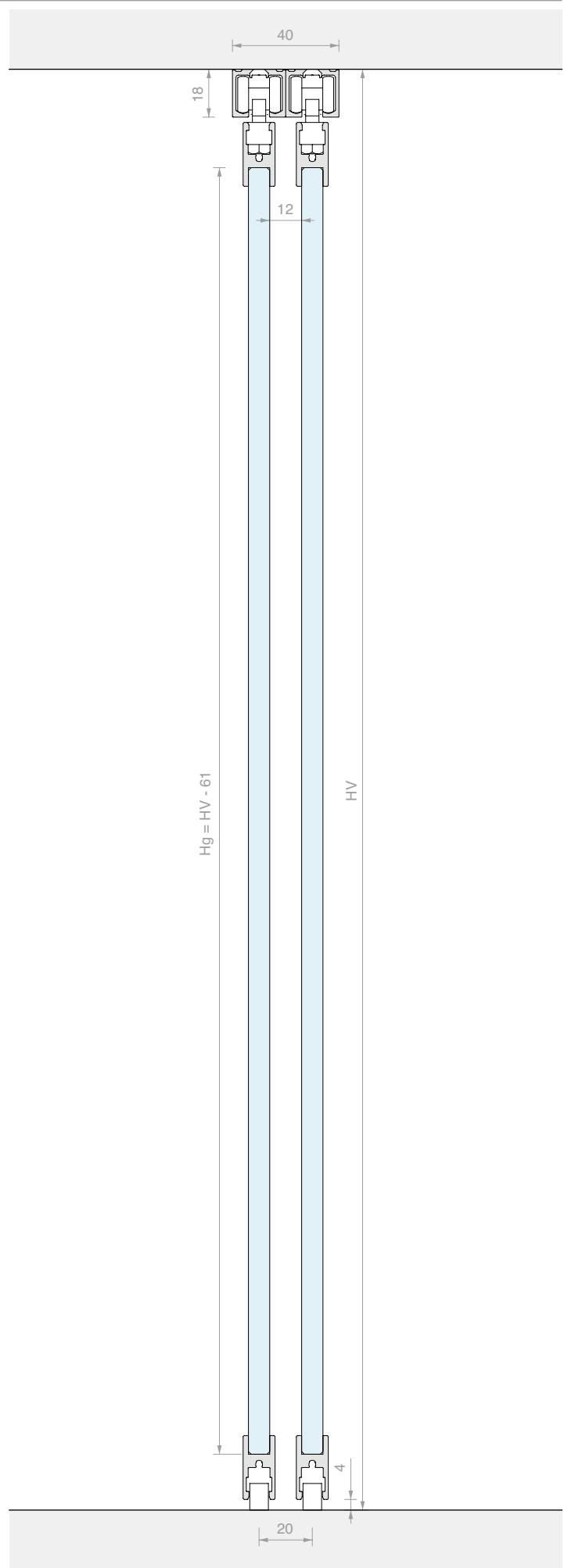
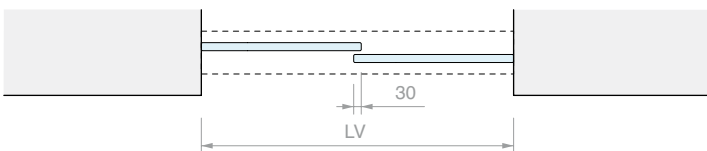
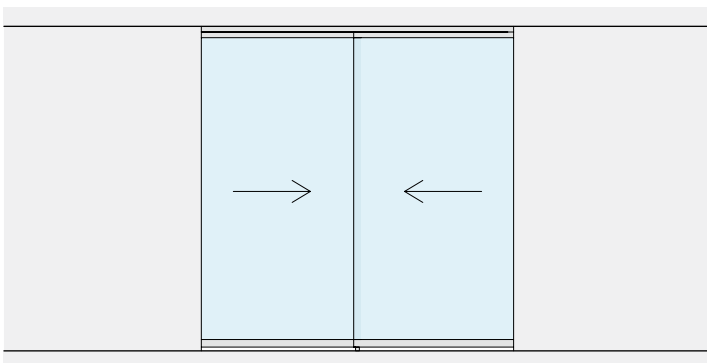
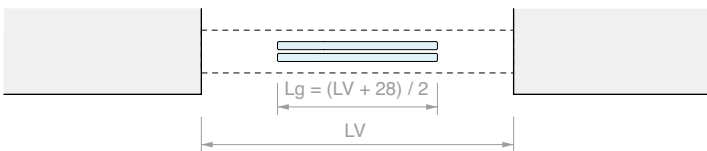
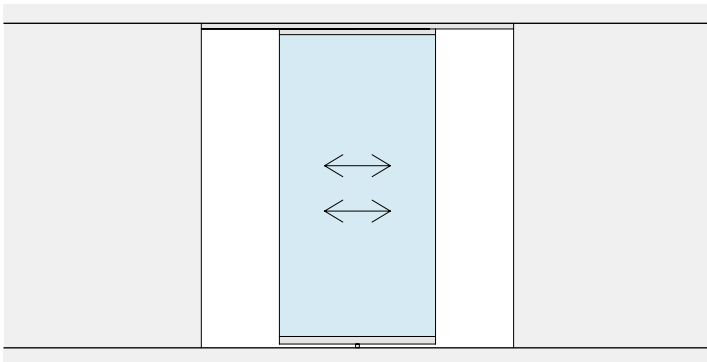
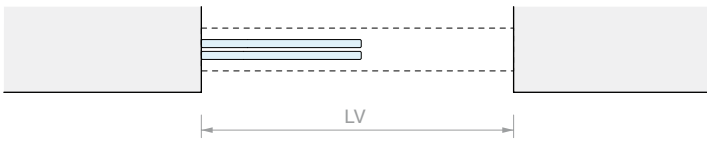
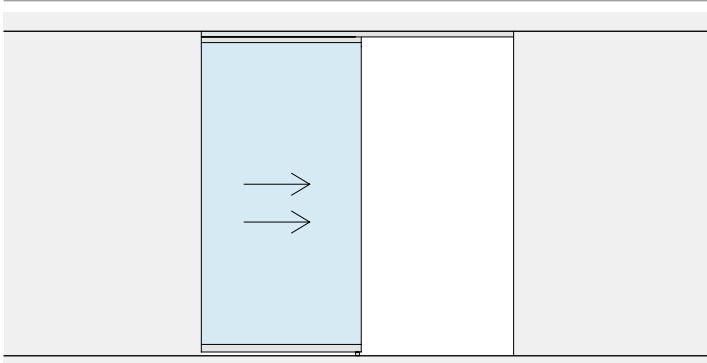
DOOR PANEL PANE



Kit comprising:

Art.	Description	Qty
053.3326.200	Ceiling fixing single track	2 Pcs
053.3072.200	Glass holder profile	2 Pcs
053.3361.072	GPPK sliding door panel kit	2 Pcs
Optional		
057.3159.071	2 dampers up to 15 kg	1 Pc
057.3159.072	2 dampers up to 26 kg	1 Pc
057.3159.073	2 dampers up to 36 kg	1 Pc
LM17019TP10	End cap for single track	1 Pc

Art.	LV max	Qty
LMC36GPPK12.200	1960 mm	1 Pc





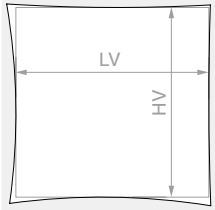
SLIDING DOOR KIT, CEILING FIXING TWO SEPARATE GPK DOORS

Material: Aluminium

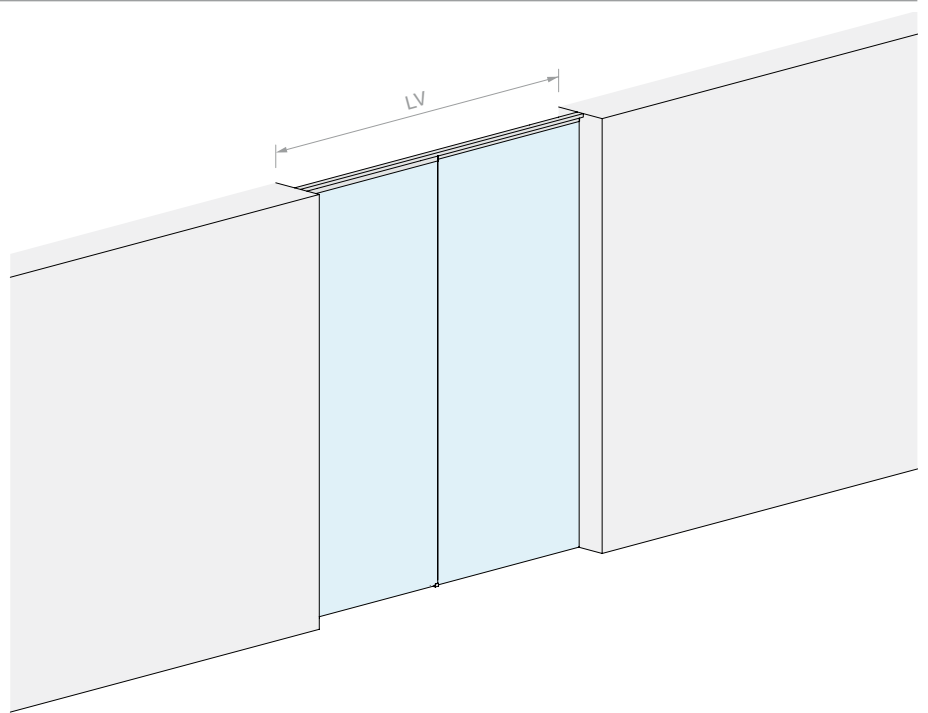
Finish: /6 /88 /97



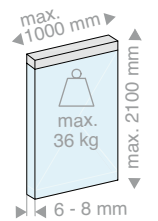
DOOR OPENING SIZE



HV max: 2140 mm



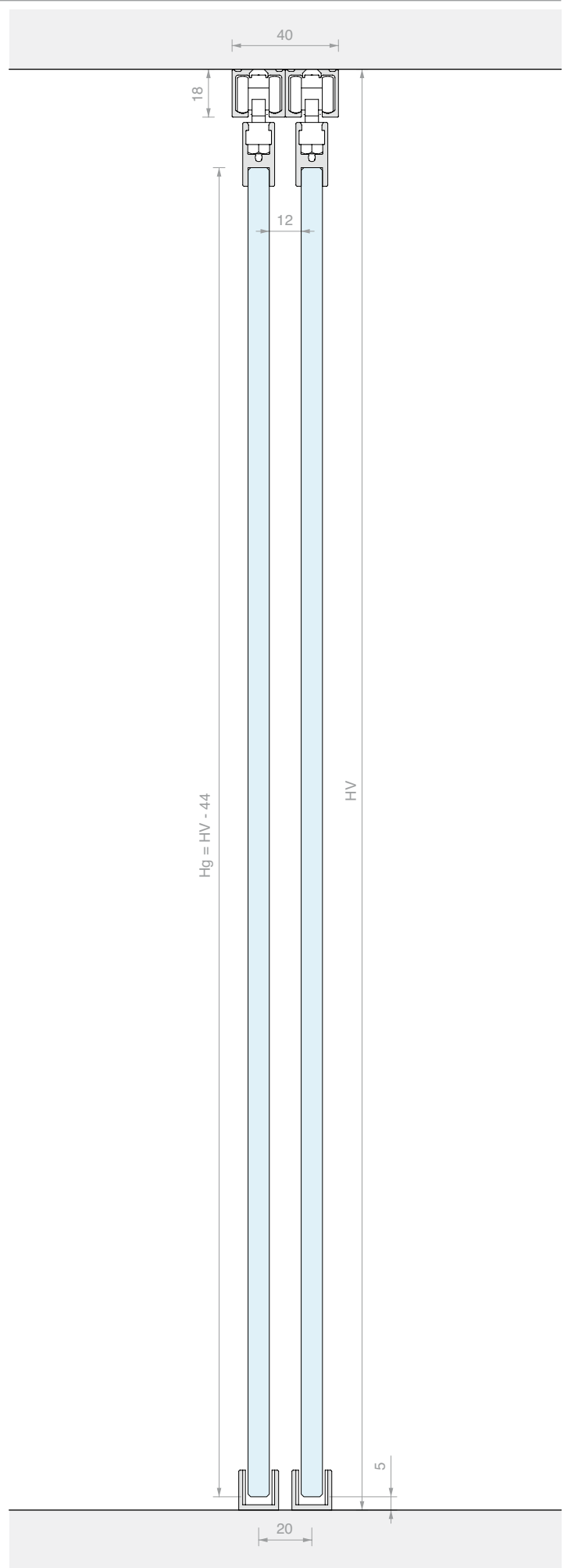
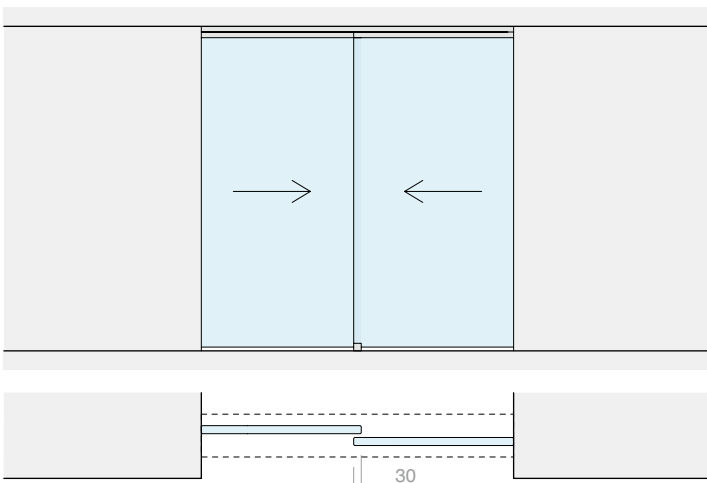
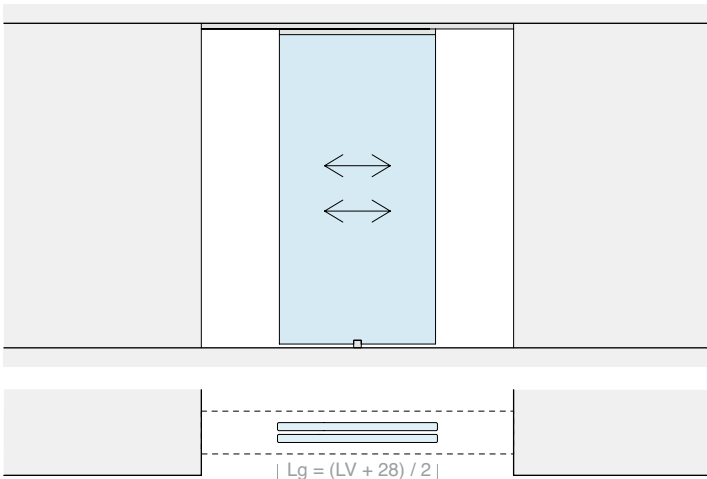
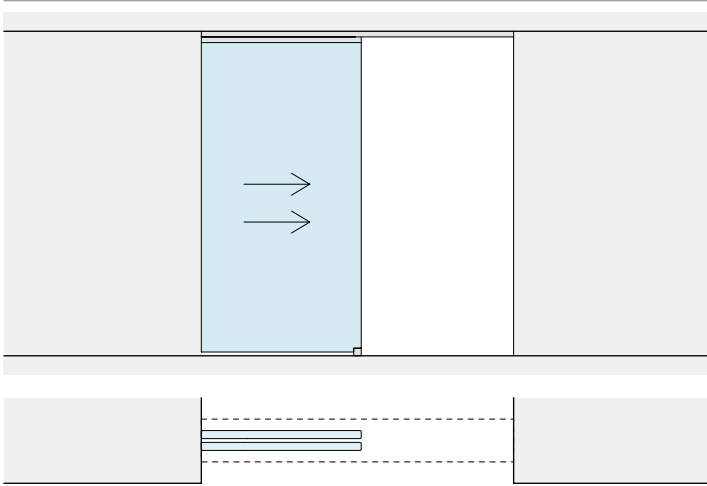
DOOR PANEL PANE



Kit comprising:

Art.	Description	Qty
053.3326.200	Ceiling fixing single track	2 Pcs
053.3072.200	Glass holder profile	1 Pc
053.3361.071	GPK sliding door panel kit	2 Pcs
Optional		
057.3159.071	2 dampers up to 15 kg	1 Pc
057.3159.072	2 dampers up to 26 kg	1 Pc
057.3159.073	2 dampers up to 36 kg	1 Pc
LM17019TP10	End cap for single track	1 Pc

Art.	LV max	Qty
LMC36GPK12.200	1960 mm	1 Pc









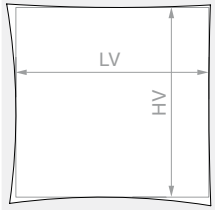
**CEILING FIXING SLIDING DOOR KIT
SINGLE DOOR WITH FIXED GLASS
WITH GPPK LOWER GLASS HOLDER PROFILE**

Material: Aluminium

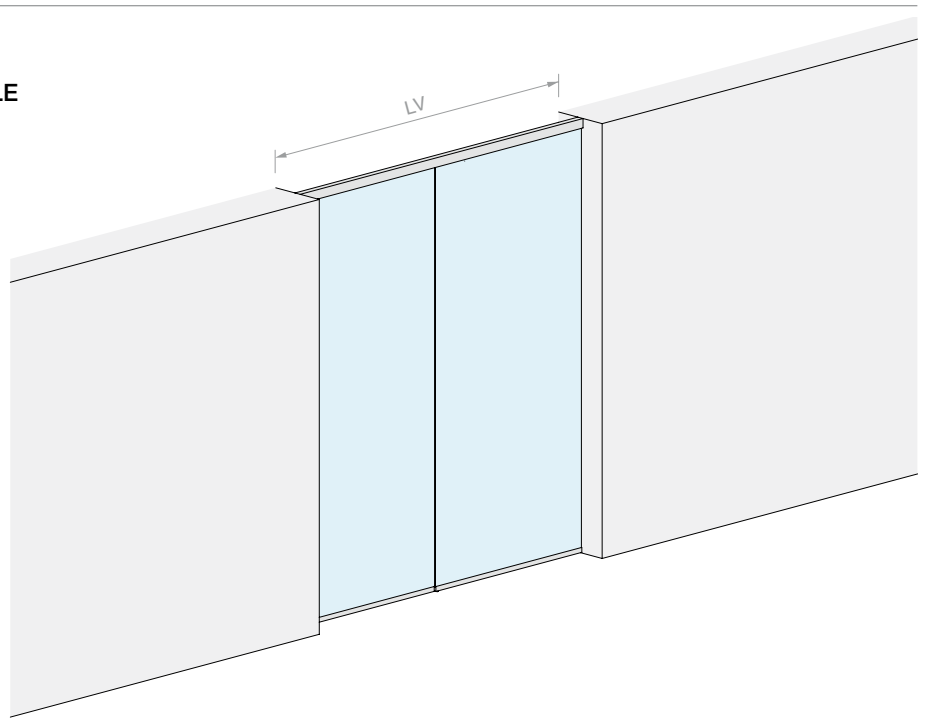
Finish: /6 /88 /97



DOOR OPENING SIZE

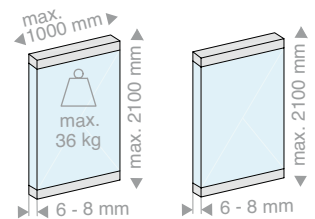


HV max: 2160 mm



DOOR PANEL PANE

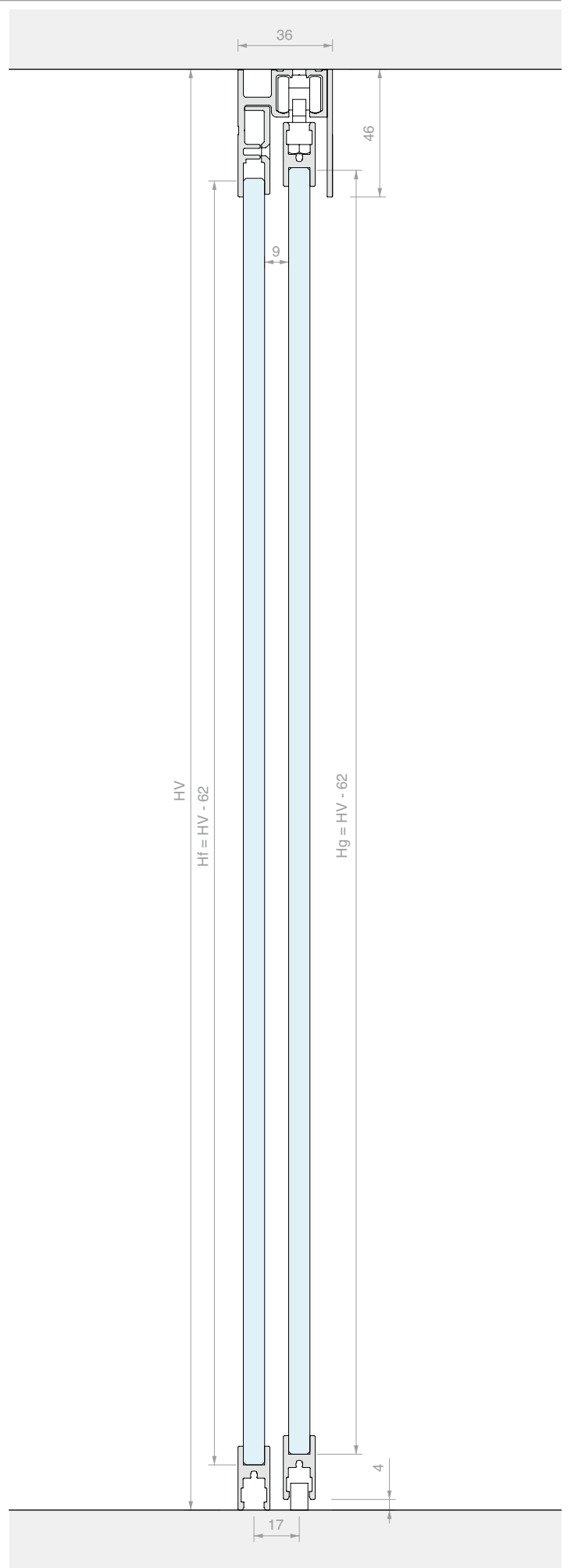
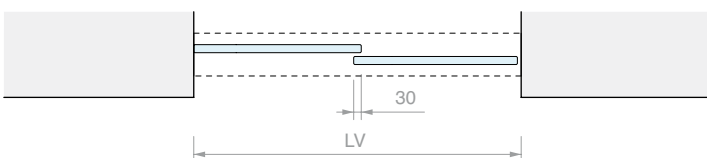
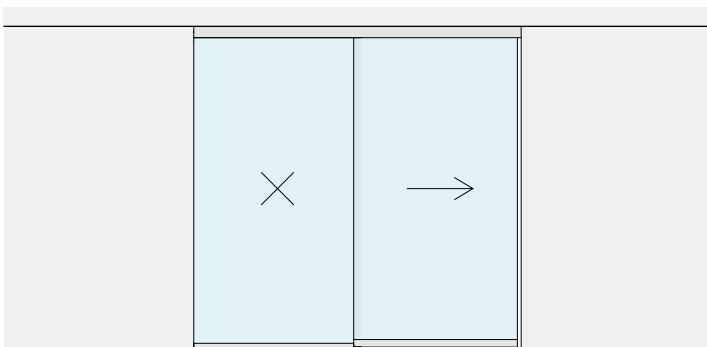
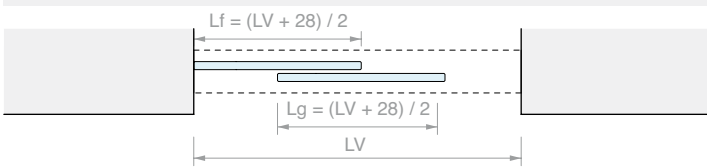
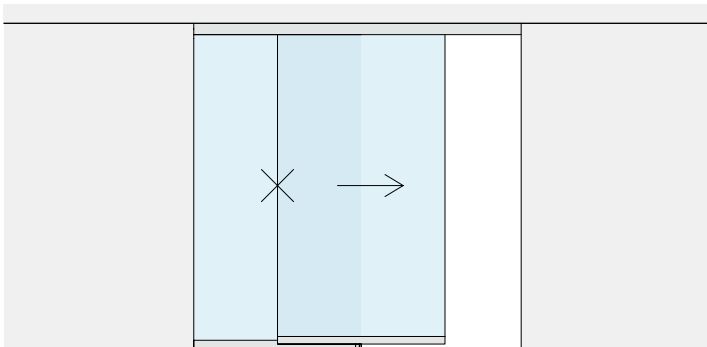
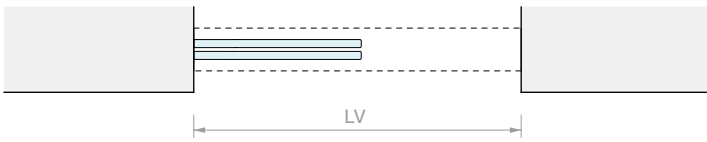
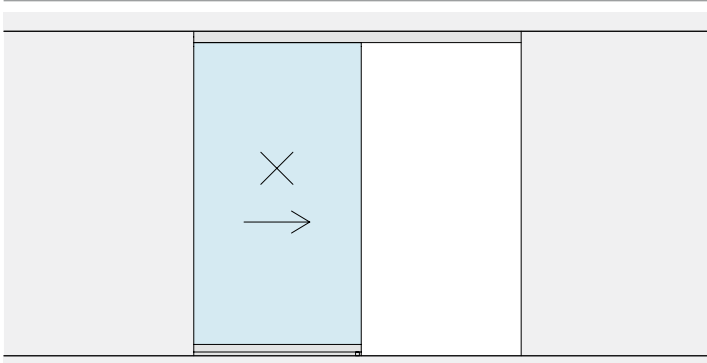
FIXED PANE



Kit comprising:

Art.	Description	Qty
053.3338.200	Ceiling fixing single track with fixed glass	1 Pc
053.3072.200	Glass holder profile	1 Pc
053.3072.100	Glass holder profile	1 Pc
053.3071.300	Support profile for fixed glass	1 Pc
053.3361.072	GPPK sliding door panel kit	1 Pc
053.3075.300	Track cover	1 Pc
VIT965-3X8-ZN	Fixing screw for fixed glass support profile	4 Pcs
Optional		
057.3159.071	2 dampers up to 15 kg	1 Pc
057.3159.072	2 dampers up to 26 kg	1 Pc
057.3159.073	2 dampers up to 36 kg	1 Pc
LM48035TP10	End cap for single track	1 Pc

Art.	LV max	Qty
LMC36GPPK11F.200	1960 mm	1 Pc









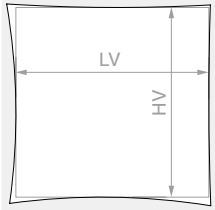
**CEILING FIXING SLIDING DOOR KIT
DOUBLE DOORS WITH DOUBLE FIXED GLASS
WITH GPPK LOWER GLASS HOLDER PROFILE**

Material: Aluminium

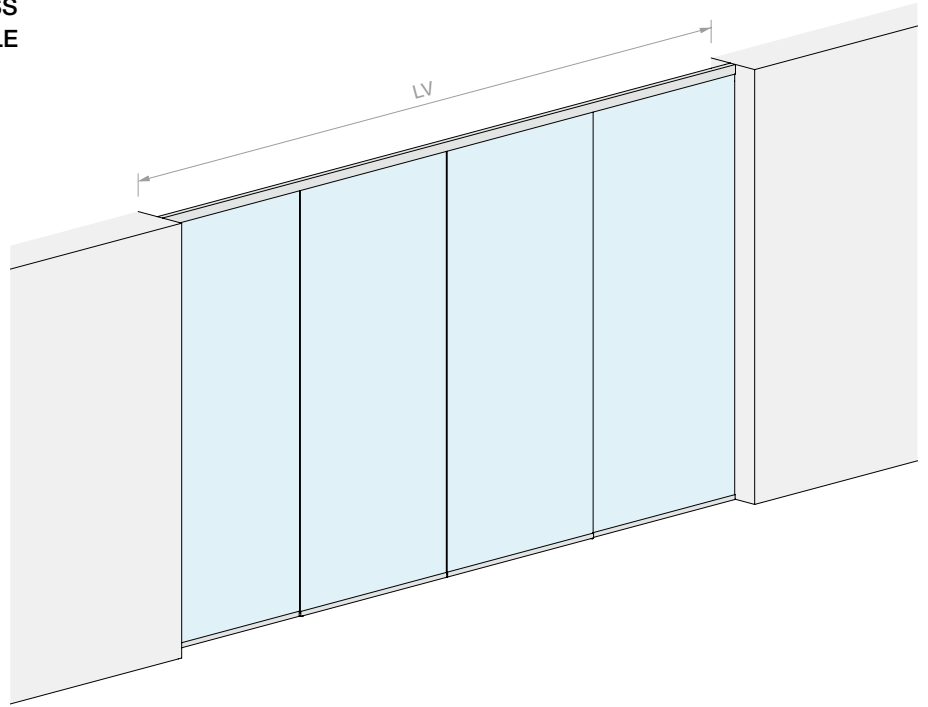
Finish: /6 /88 /97



DOOR OPENING SIZE

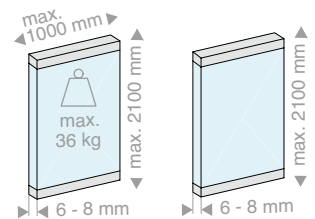


HV max: **2160 mm**



DOOR PANEL PANE

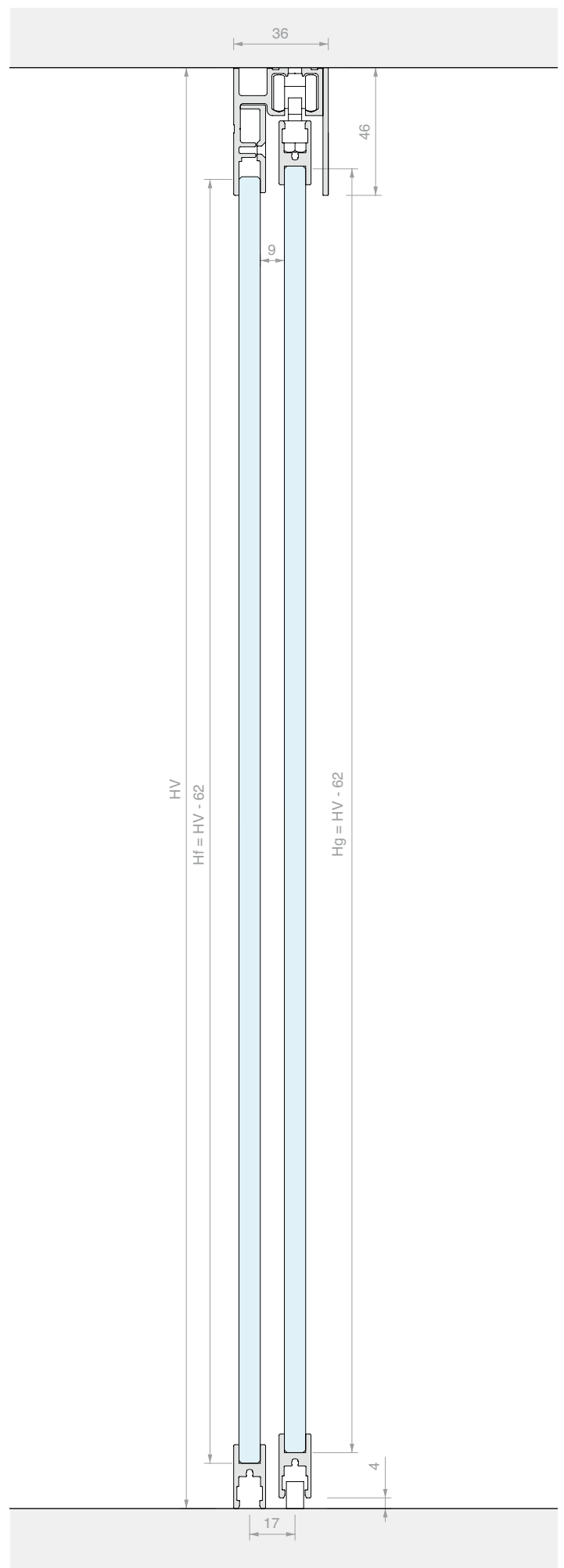
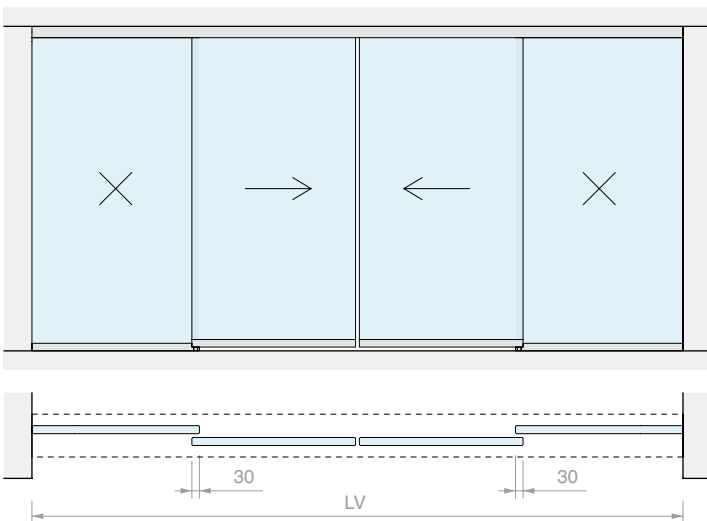
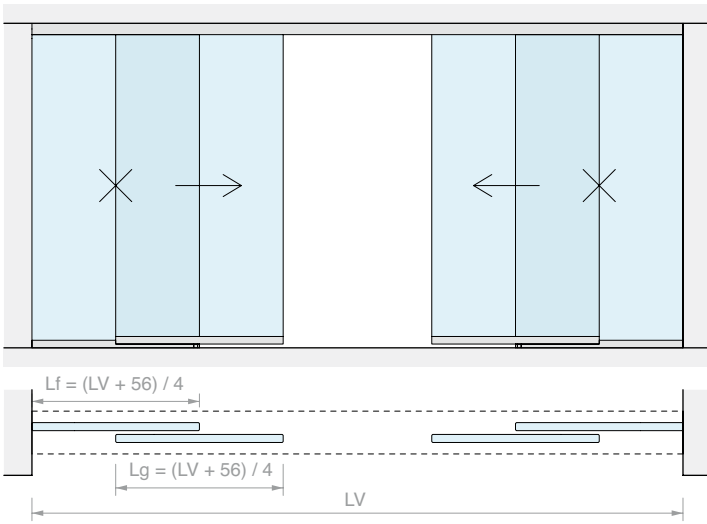
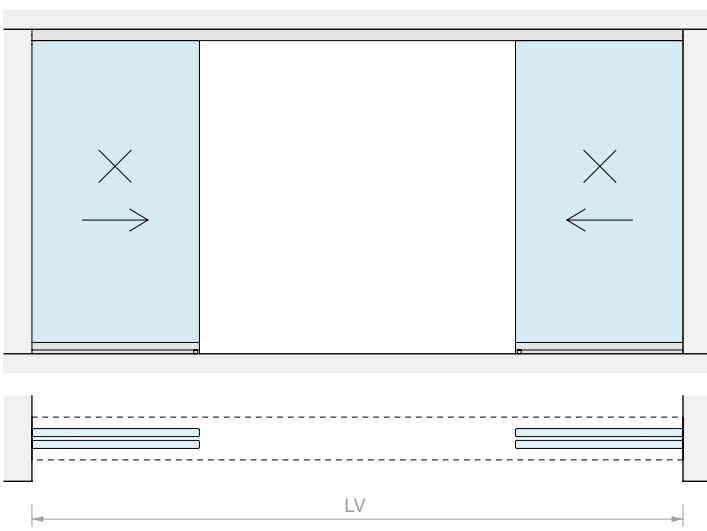
FIXED PANE



Kit comprising:

Art.	Description	Qty
053.3338.400	Ceiling fixing single track with fixed glass	1 Pc
053.3072.200	Glass holder profile	4 Pcs
053.3071.300	Support profile for fixed glass	2 Pcs
053.3361.072	GPPK sliding door panel kit	2 Pcs
053.3075.300	Track cover	2 Pcs
VIT965-3X8-ZN	Fixing screw for fixed glass support profile	8 Pcs
Optional		
057.3159.071	2 dampers up to 15 kg	1 Pc
057.3159.072	2 dampers up to 26 kg	1 Pc
057.3159.073	2 dampers up to 36 kg	1 Pc
LM48035TP10	End cap for single track	1 Pc

Art.	LV max	Qty
LMC36GPPK11CF.400	3930 mm	1 Pc









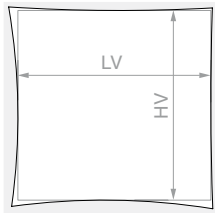
WALL FIXING SLIDING DOOR KIT WITH GPPK LOWER GLASS HOLDER PROFILE

Material: Aluminium

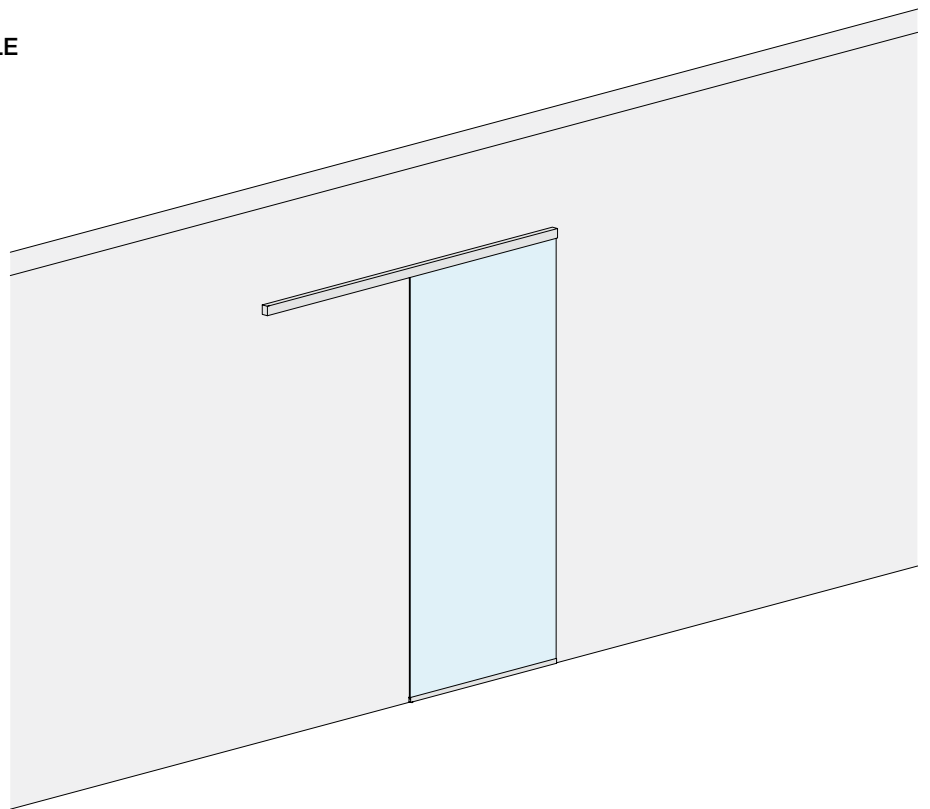
Finish: /6 /88 /97



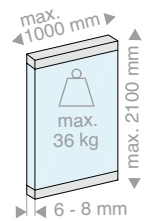
DOOR OPENING SIZE



HV max: 2110 mm



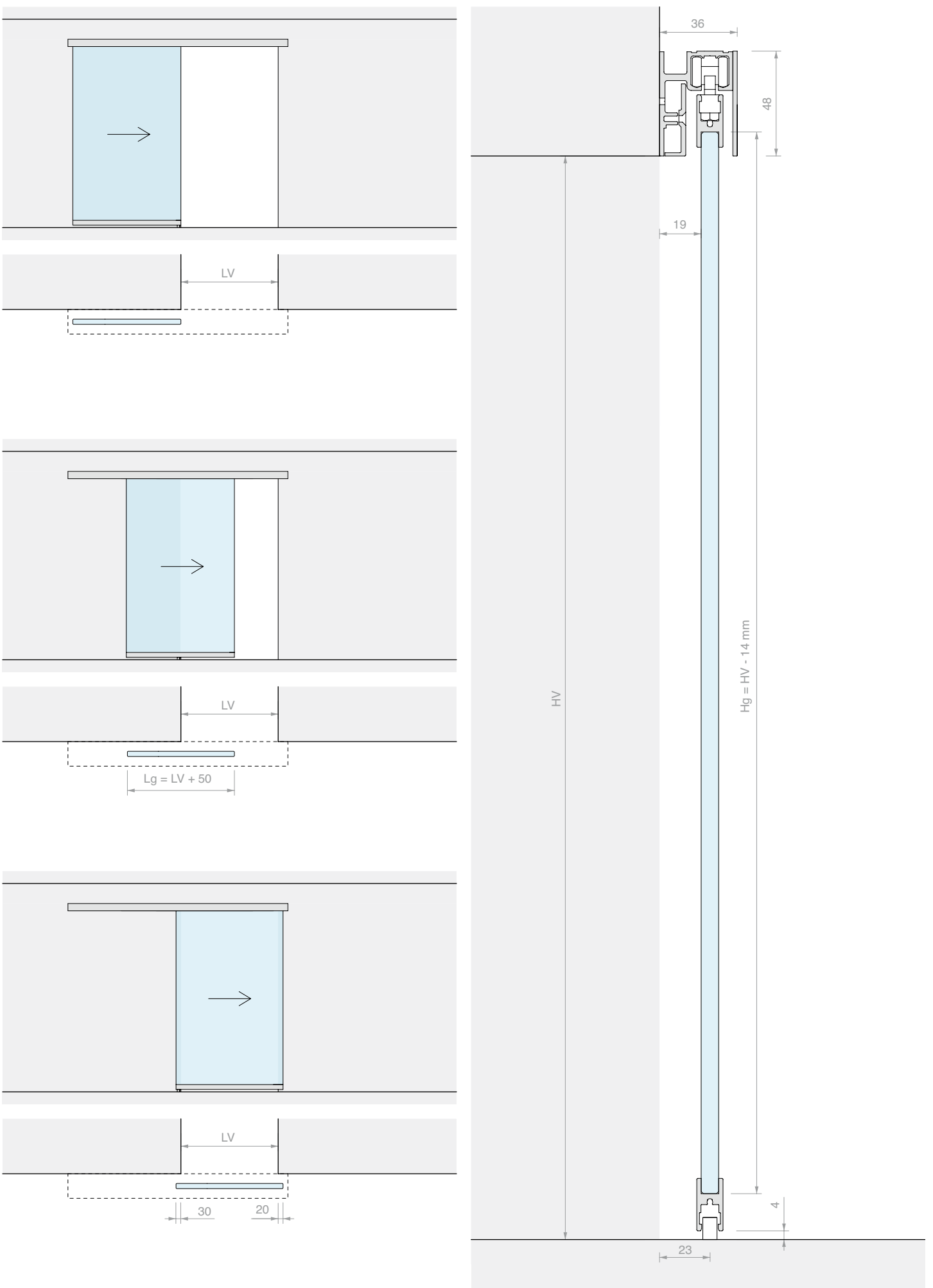
DOOR PANEL PANE



Kit comprising:

Art.	Description	Qty
053.3338.200	Wall fixing single track	1 Pc
053.3072.200	Glass holder profile	1 Pc
053.3071.300	Support profile for fixed glass	1 Pc
053.3361.072	GPPK sliding door panel kit	1 Pc
053.3075.300	Track cover	1 Pc
VIT965-3X8-ZN	Fixing screw for fixed glass support profile	4 Pcs
Optional		
057.3159.071	2 dampers up to 15 kg	1 Pc
057.3159.072	2 dampers up to 26 kg	1 Pc
057.3159.073	2 dampers up to 36 kg	1 Pc
LM17019TP10	End cap for single track	1 Pc

Art.	LV max	Qty
LMC36GPPK21.200	940 mm	1 Pc









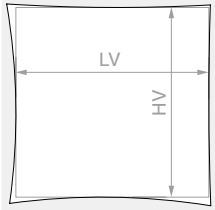
WALL FIXING SLIDING DOOR KIT DOUBLE DOORS WITH GPPK LOWER GLASS HOLDER PROFILE

Material: Aluminium

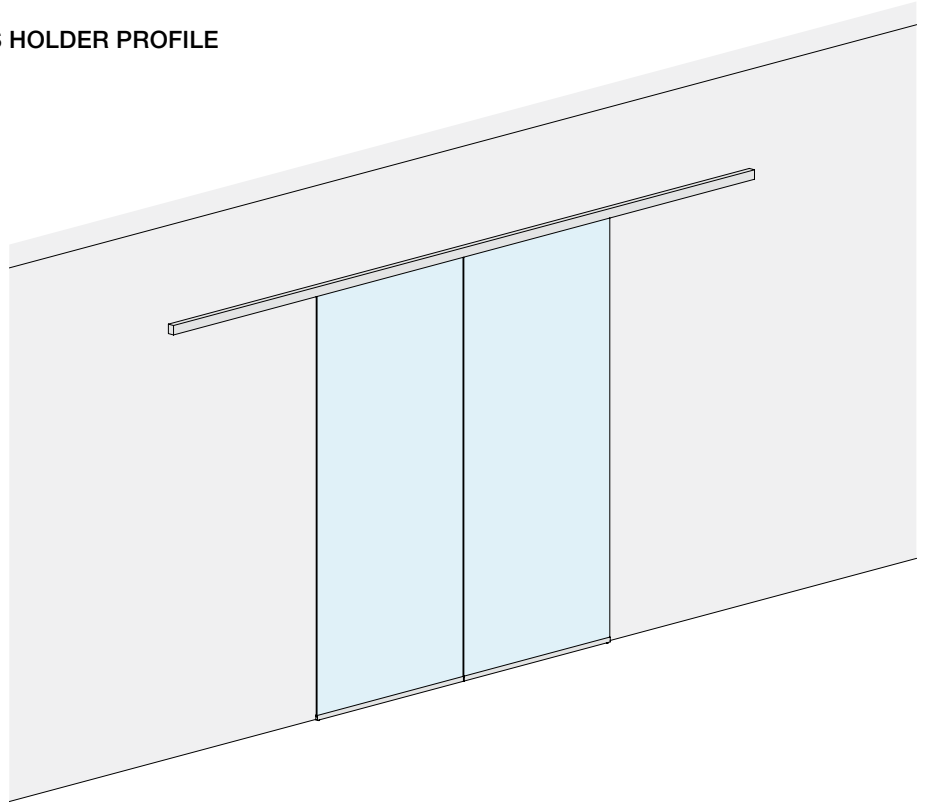
Finish: /6 /88 /97



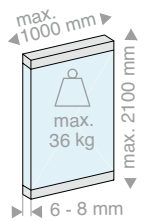
DOOR OPENING SIZE



HV max: 2110 mm



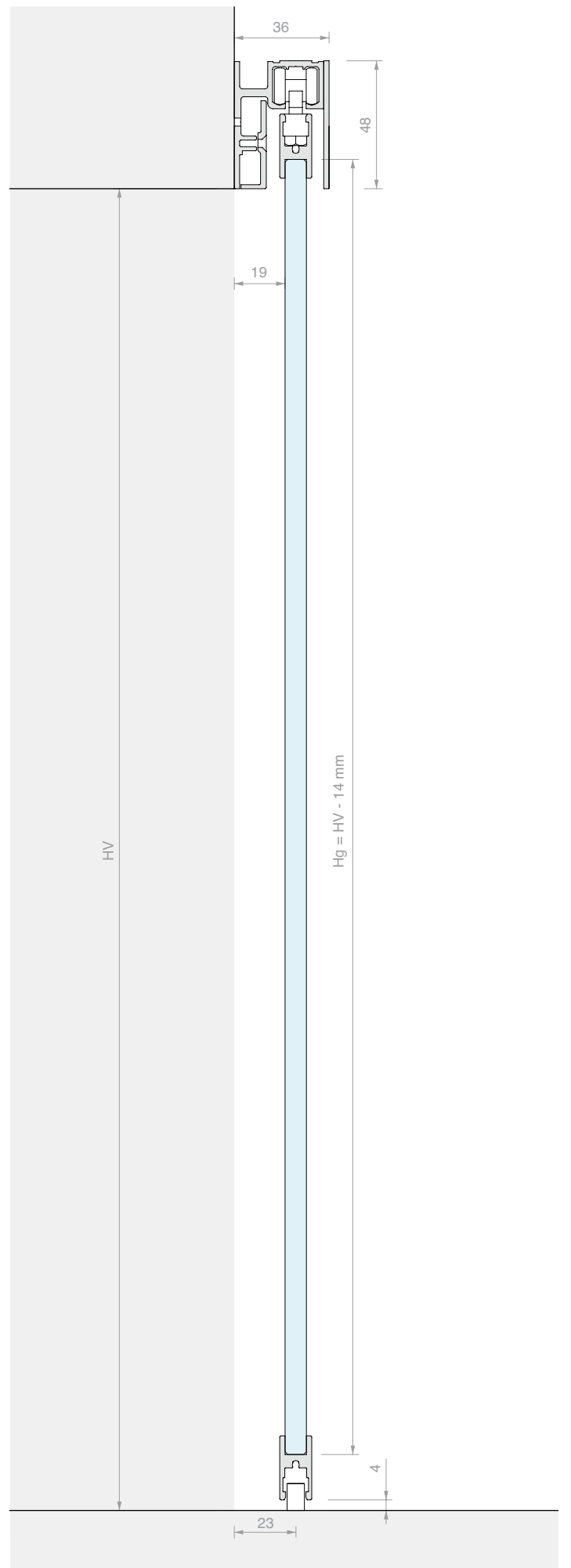
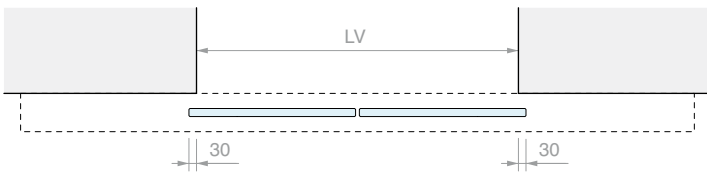
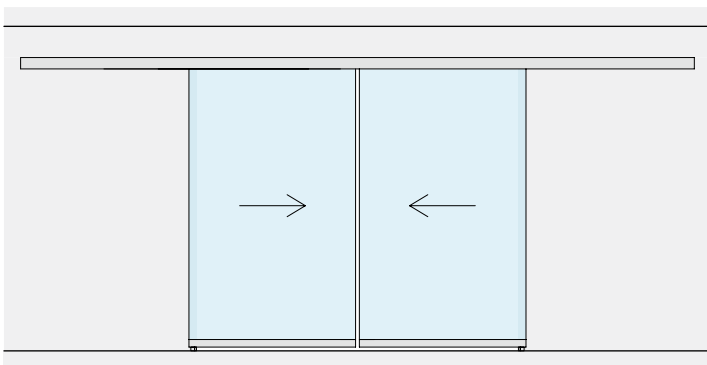
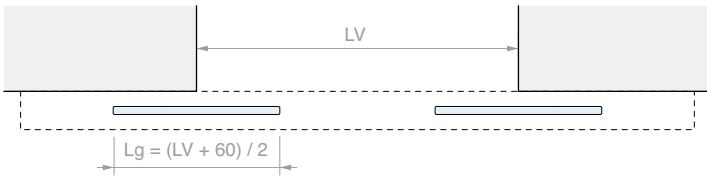
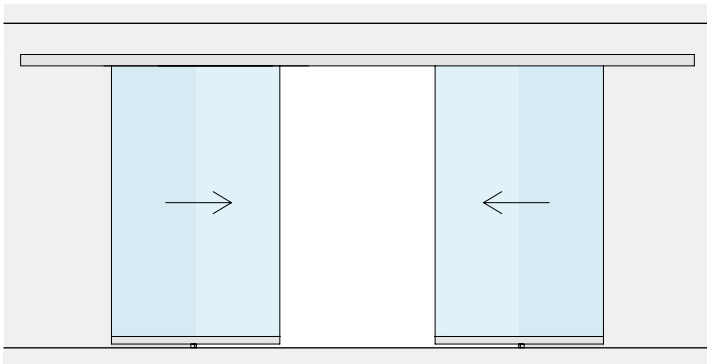
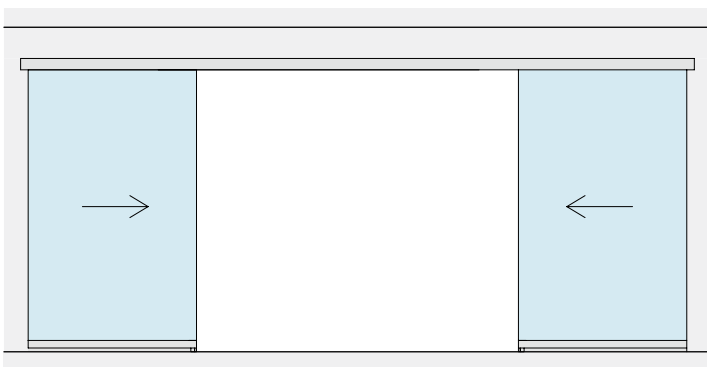
DOOR PANEL PANE



Kit comprising:

Art.	Description	Qty
053.3338.400	Wall fixing single track	1 Pc
053.3072.200	Glass holder profile	2 Pcs
053.3071.300	Support profile for fixed glass	2 Pcs
053.3361.072	GPPK sliding door panel kit	2 Pcs
053.3075.300	Track cover	2 Pcs
VIT965-3X8-ZN	Fixing screw for fixed glass support profile	8 Pcs
Optional		
057.3159.071	2 dampers up to 15 kg	1 Pc
057.3159.072	2 dampers up to 26 kg	1 Pc
057.3159.073	2 dampers up to 36 kg	1 Pc
LM48035TP10	End cap for single track	1 Pc

Art.	LV max	Qty
LMC36GPPK21C.400	1930 mm	1 Pc









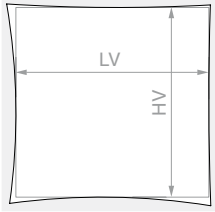
GPK WALL FIXING SLIDING DOOR KIT SINGLE DOOR PANEL

Material: Aluminium

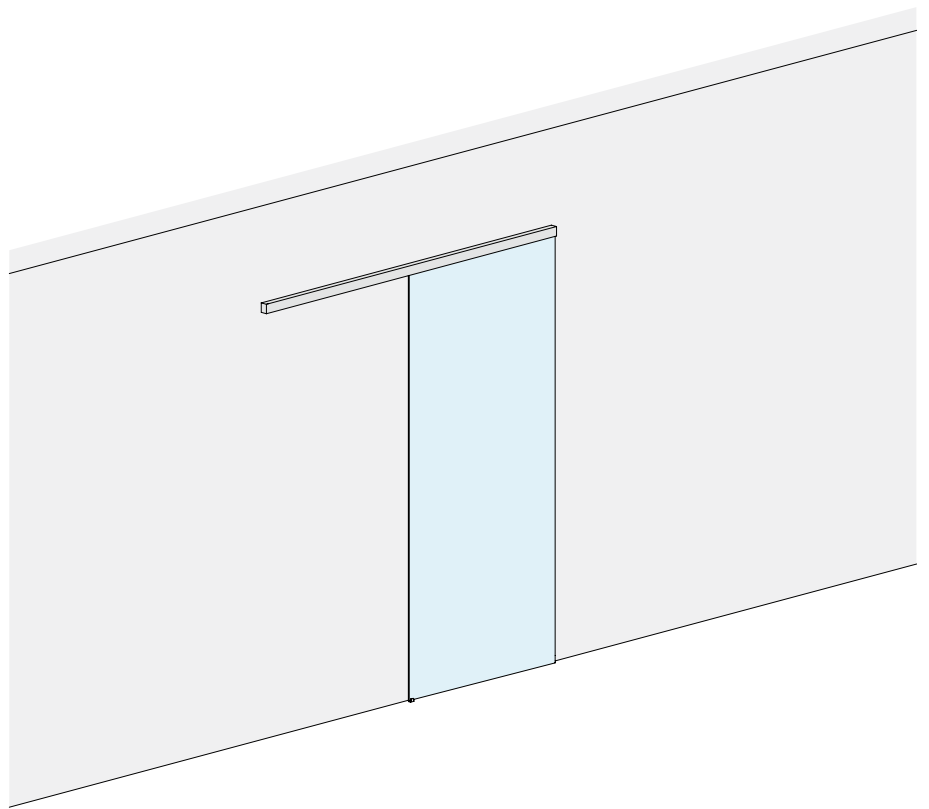
Finish: /6 /88 /97



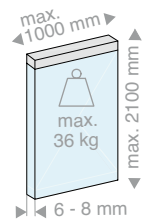
DOOR OPENING SIZE



HV max: 2090 mm



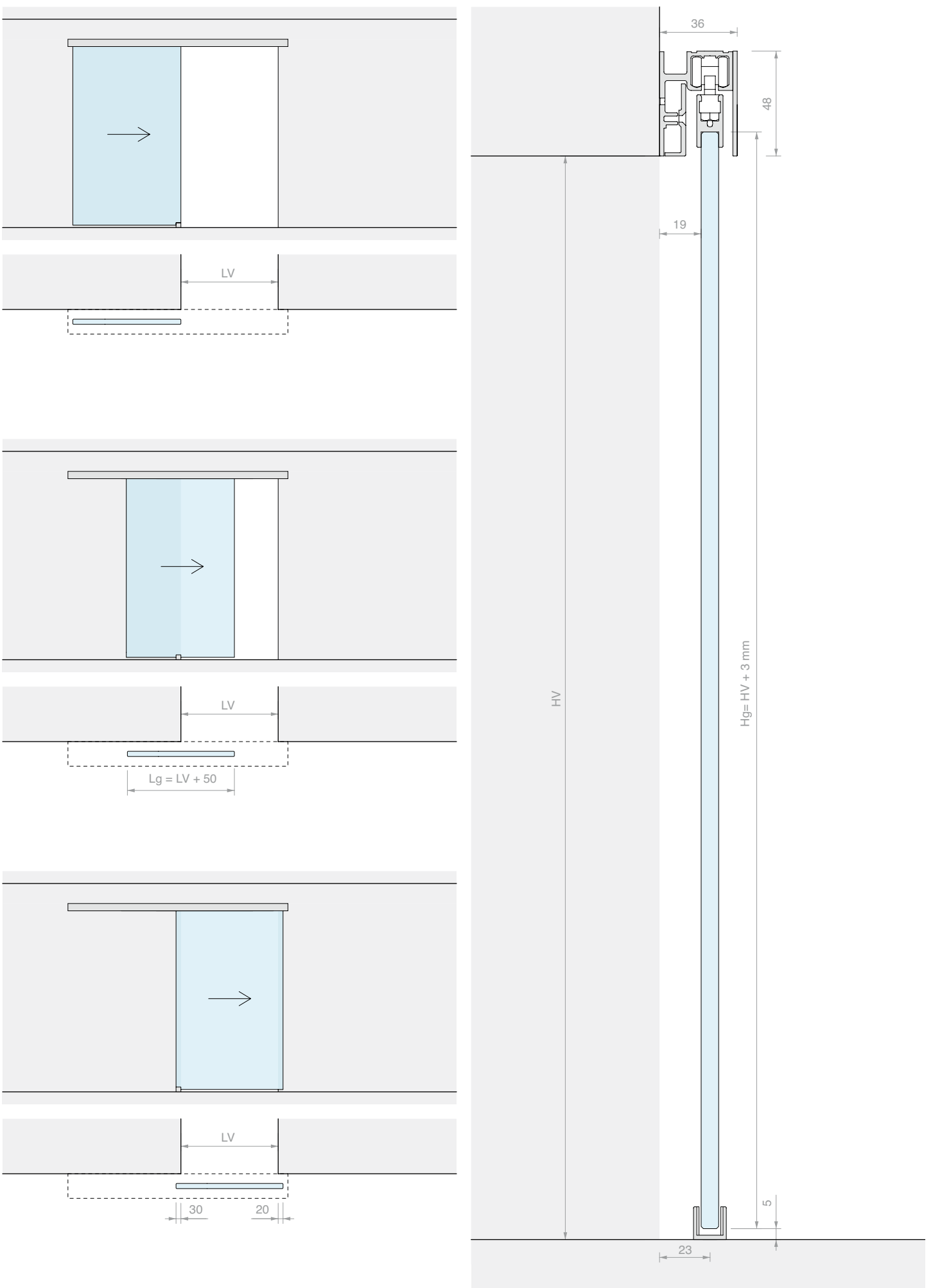
DOOR PANEL PANE



Kit comprising:

Art.	Description	Qty
053.3338.200	Wall fixing single track	1 Pc
053.3072.100	Glass holder profile	1 Pc
053.3071.300	Support profile for fixed glass	1 Pc
053.3361.071	GPk sliding door panel kit	1 Pc
053.3075.300	Track cover	1 Pc
VIT965-3X8-ZN	Fixing screw for fixed glass support profile	4 Pcs
Optional		
057.3159.071	2 dampers up to 15 kg	1 Pc
057.3159.072	2 dampers up to 26 kg	1 Pc
057.3159.073	2 dampers up to 36 kg	1 Pc
LM48035TP10	End cap for single track	1 Pc

Art.	LV max	Qty
LMC36GPK21.200	940 mm	1 Pc









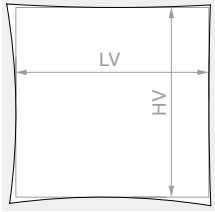
GPK WALL FIXING SLIDING DOOR KIT DOUBLE DOORS

Material: Aluminium

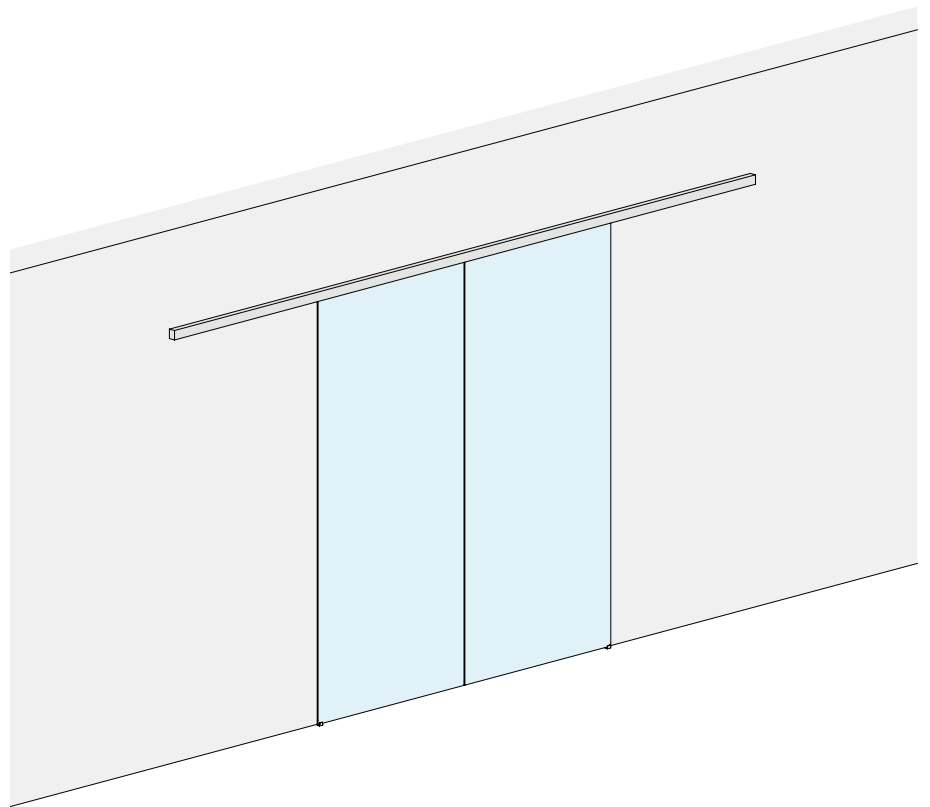
Finish: /6 /88 /97



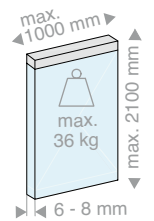
DOOR OPENING SIZE



HV max: 2090 mm



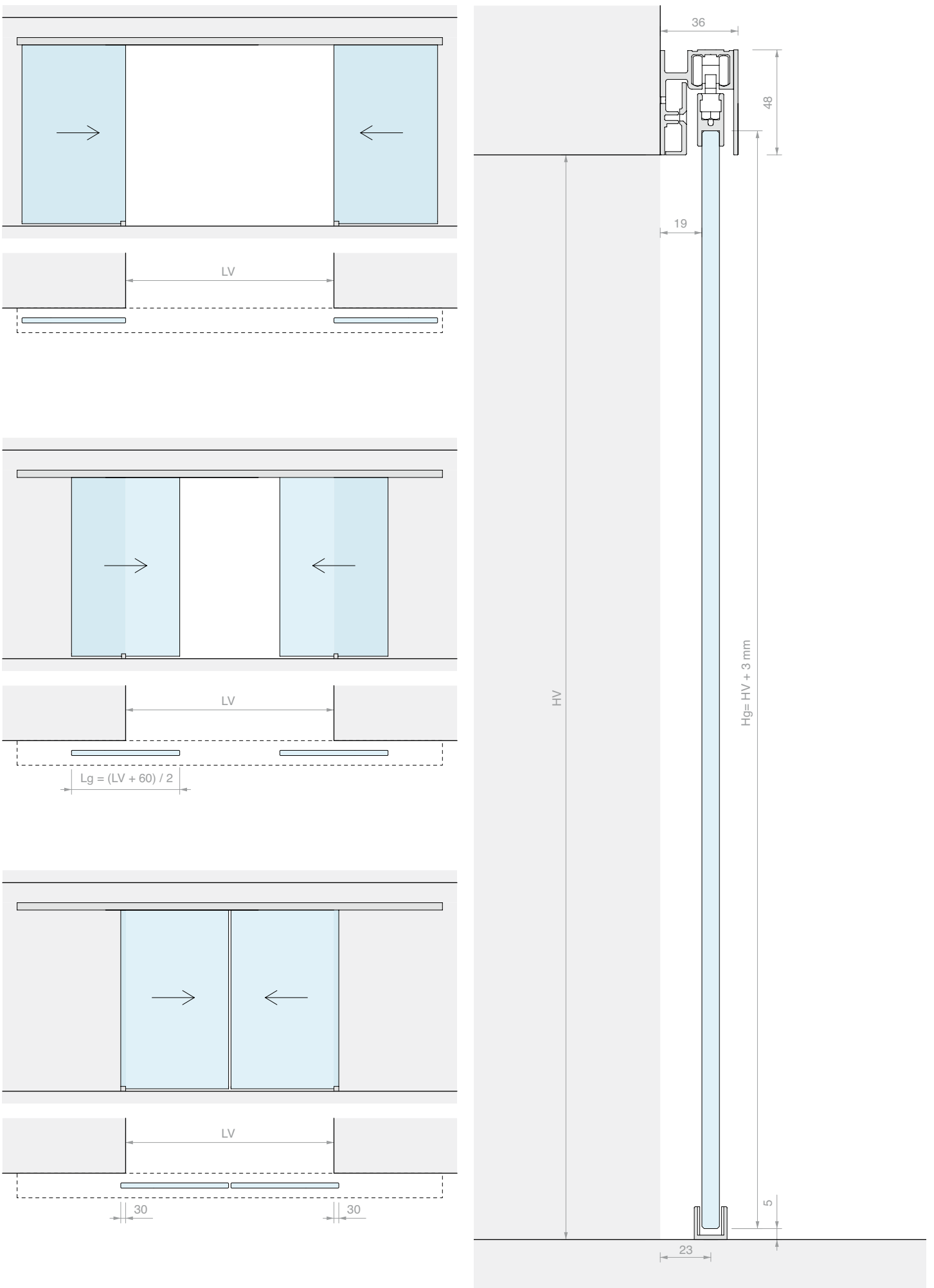
DOOR PANEL PANE



Kit comprising:

Art.	Description	Qty
053.3338.400	Wall fixing single track	1 Pc
053.3072.200	Glass holder profile	2 Pcs
053.3071.300	Support profile for fixed glass	2 Pcs
053.3361.071	GPk sliding door panel kit	2 Pcs
053.3075.300	Track cover	2 Pcs
VIT965-3X8-ZN	Fixing screw for fixed glass support profile	8 Pcs
Optional		
057.3159.071	2 dampers up to 15 kg	1 Pc
057.3159.072	2 dampers up to 26 kg	1 Pc
057.3159.073	2 dampers up to 36 kg	1 Pc
LM48035TP10	End cap for single track	1 Pc

Art.	LV max	Qty
LMC36GPK21C.400	1930 mm	1 Pc









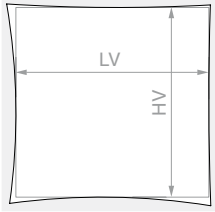
**WALL FIXING SLIDING DOOR KIT
SINGLE DOOR WITH FIXED GLASS
WITH GPPK LOWER GLASS HOLDER PROFILE**

Material: Aluminium

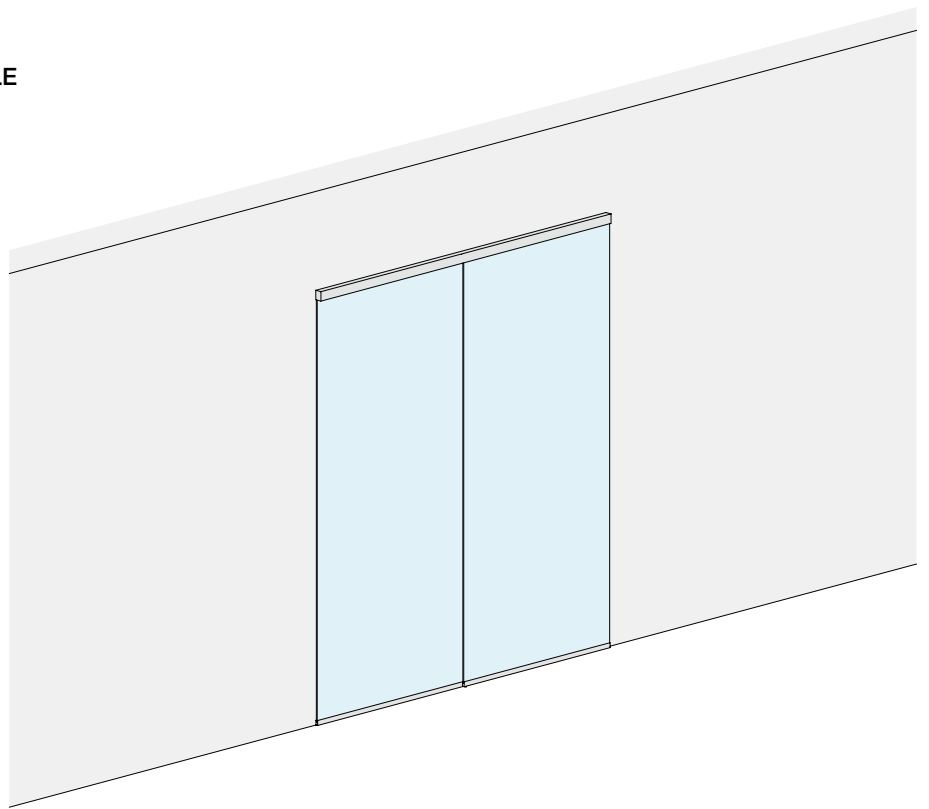
Finish: /6 /88 /97



DOOR OPENING SIZE

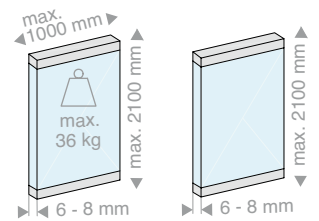


HV max: 2110 mm



DOOR PANEL PANE

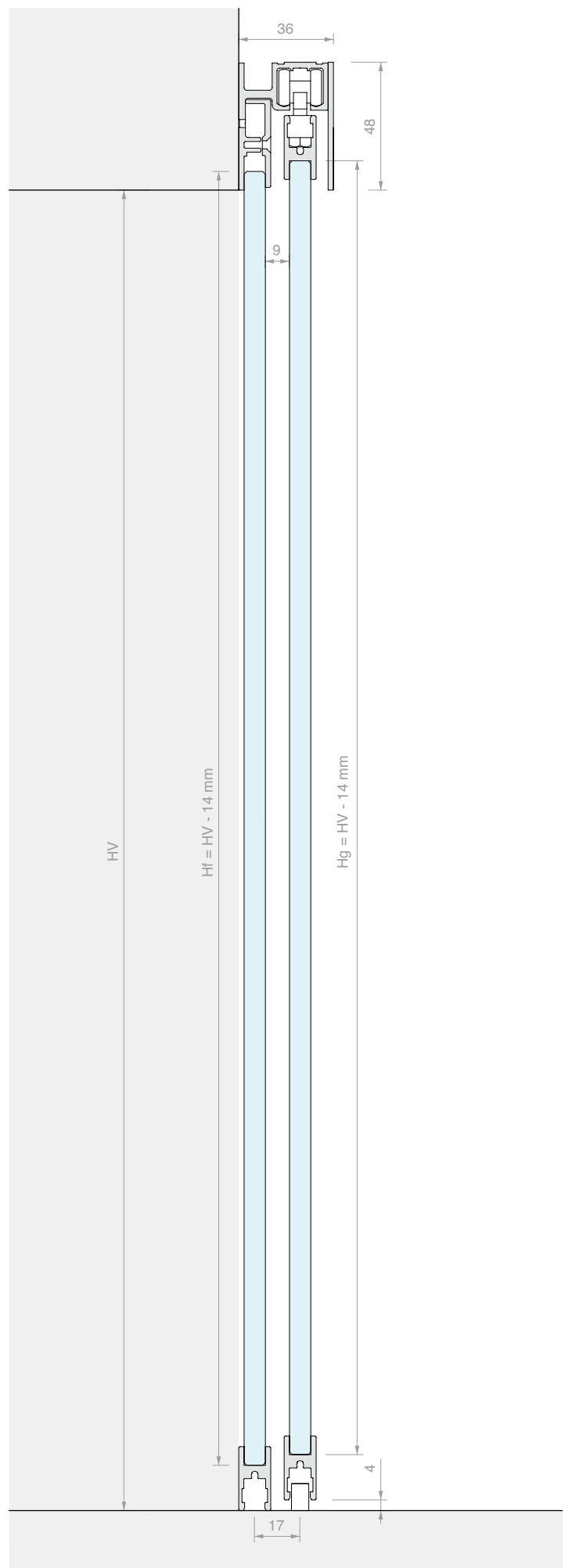
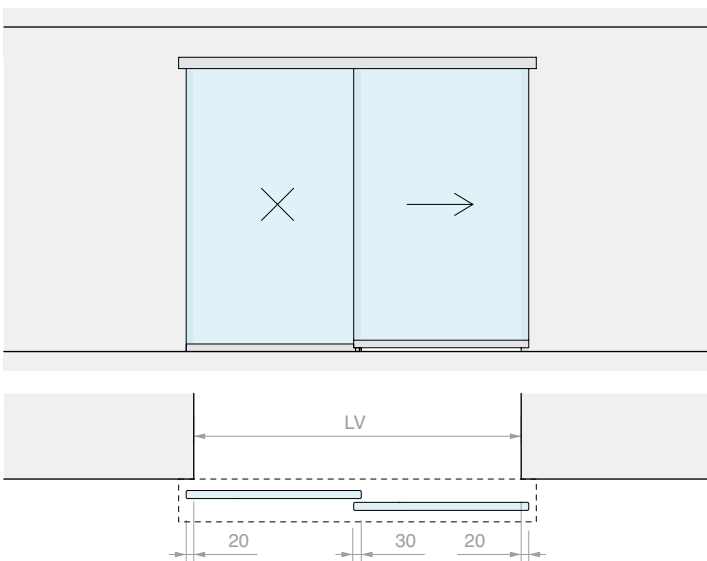
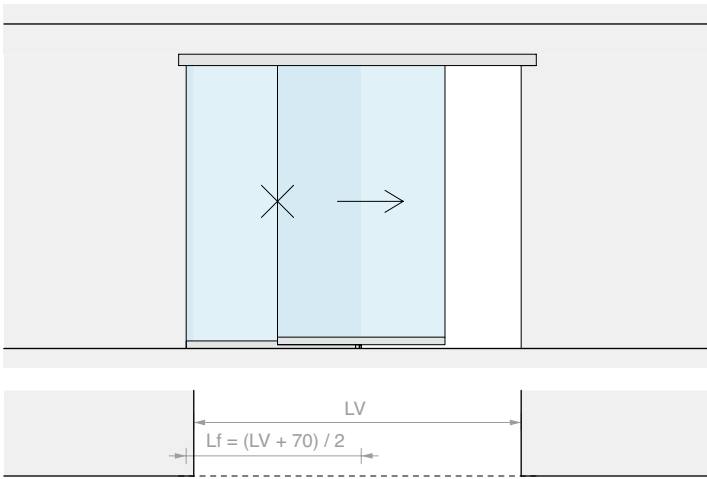
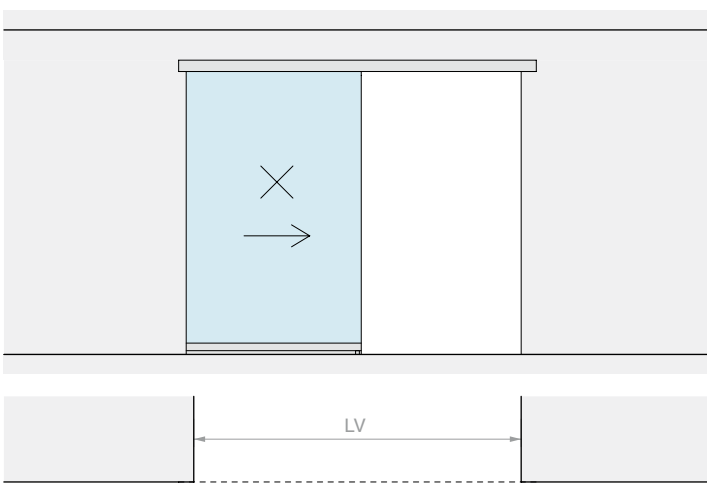
FIXED PANE



Kit comprising:

Art.	Description	Qty
053.3338.200	Wall fixing single track with fixed glass	1 Pc
053.3072.200	Glass holder profile	1 Pc
053.3072.100	Glass holder profile	1 Pc
053.3071.300	Support profile for fixed glass	1 Pc
053.3361.072	GPPK sliding door panel kit	1 Pc
053.3075.300	Track cover	1 Pc
VIT965-3X8-ZN	Fixing screw for fixed glass support profile	4 Pcs
Optional		
057.3159.071	2 dampers up to 15 kg	1 Pc
057.3159.072	2 dampers up to 26 kg	1 Pc
057.3159.073	2 dampers up to 36 kg	1 Pc
LM48035TP10	End cap for single track	1 Pc

Art.	LV max	Qty
LMC36GPPK21F.200	1920 mm	1 Pc









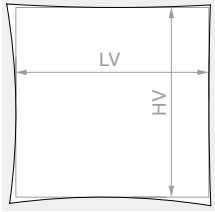
**WALL FIXING SLIDING DOOR KIT
DOUBLE DOORS WITH DOUBLE FIXED GLASS
WITH GPPK LOWER GLASS HOLDER PROFILE**

Material: Aluminium

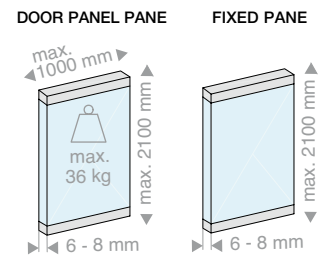
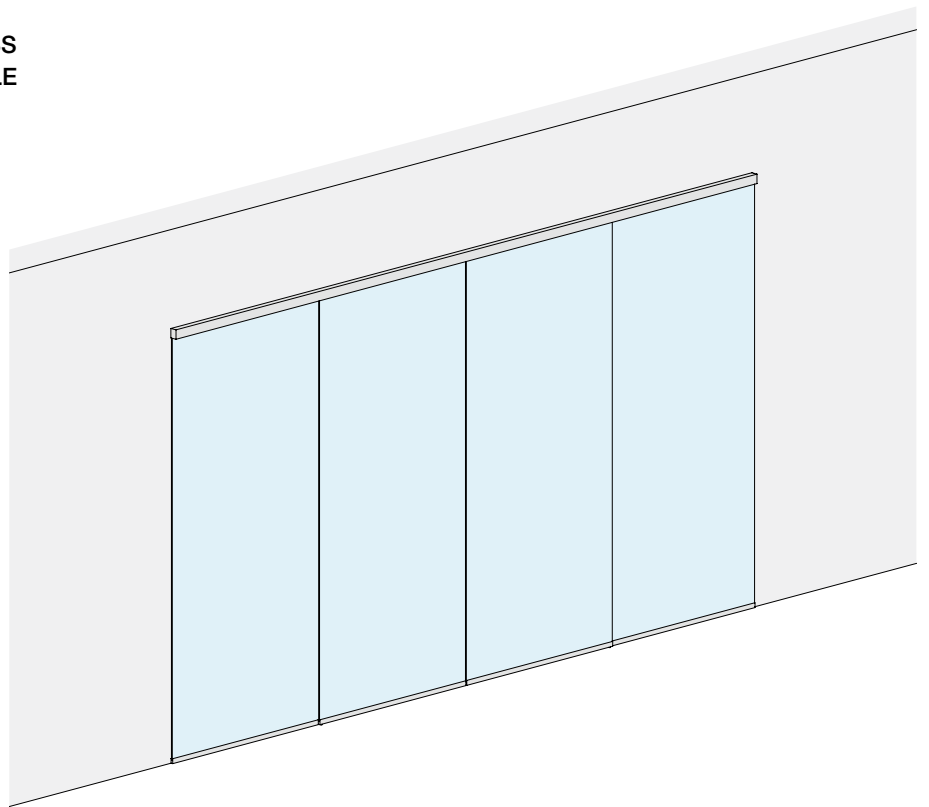
Finish: /6 /88 /97



DOOR OPENING SIZE



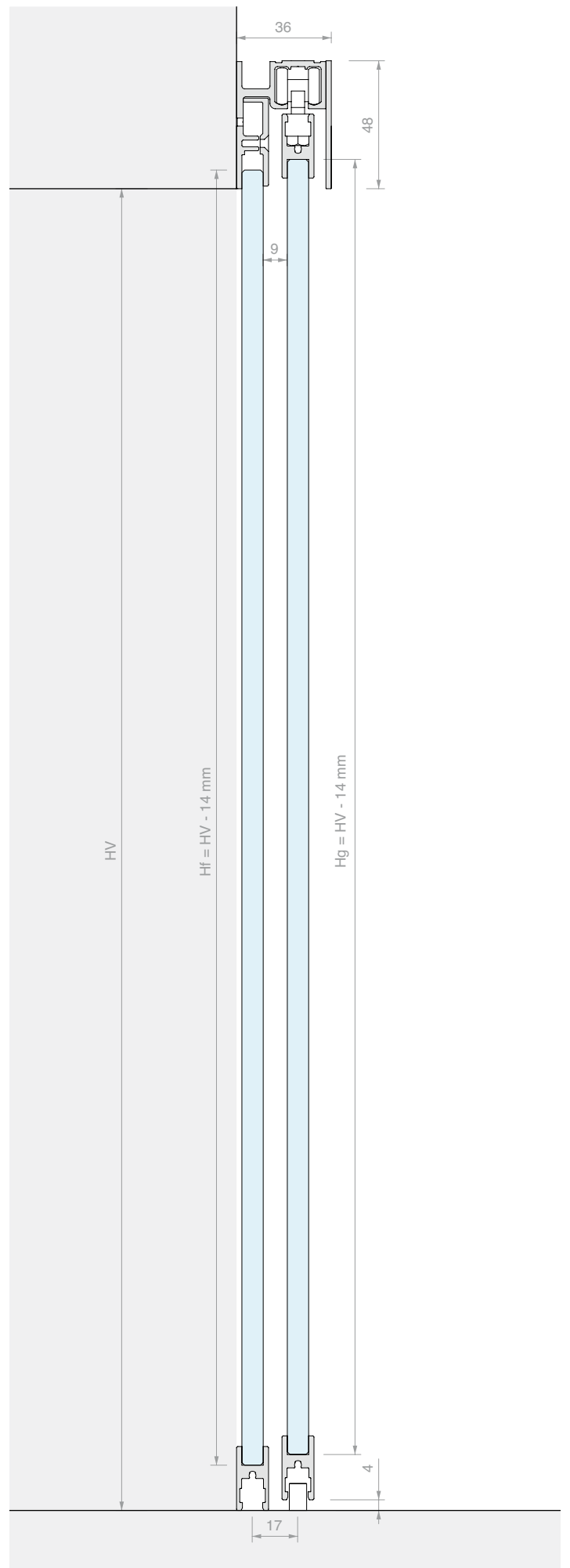
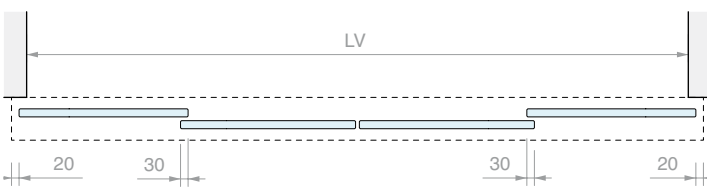
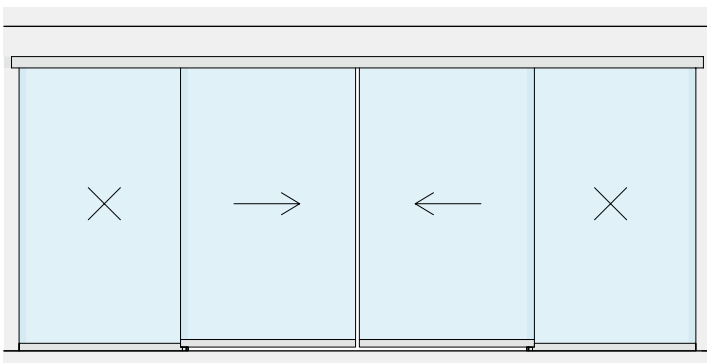
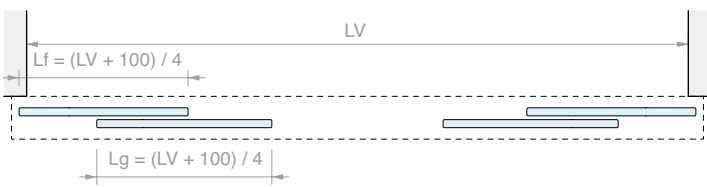
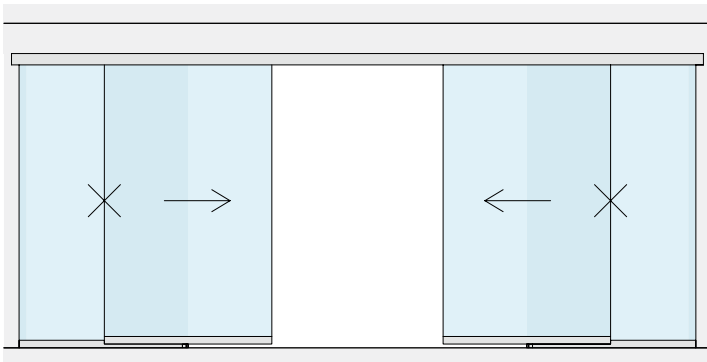
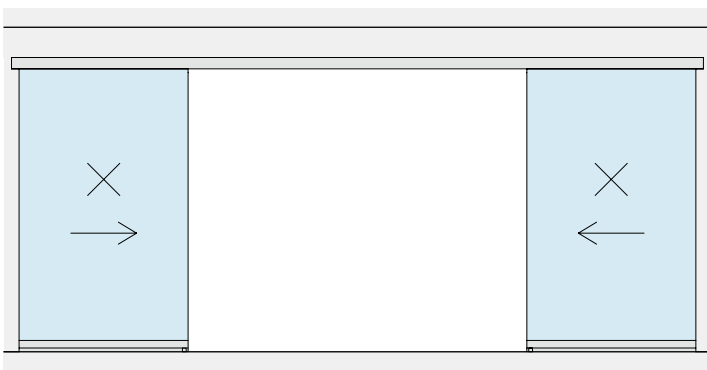
HV max: 2110 mm



Kit comprising:

Art.	Description	Qty
053.3338.400	Ceiling fixing single track with fixed glass	1 Pc
053.3072.200	Glass holder profile	4 Pcs
053.3071.300	Support profile for fixed glass	2 Pcs
053.3361.072	GPPK sliding door panel kit	2 Pcs
053.3075.300	Track cover	2 Pcs
VIT965-3X8-ZN	Fixing screw for fixed glass support profile	8 Pcs
Optional		
057.3159.071	2 dampers up to 15 kg	1 Pc
057.3159.072	2 dampers up to 26 kg	1 Pc
057.3159.073	2 dampers up to 36 kg	1 Pc
LM48035TP10	End cap for single track	1 Pc

Art.	LV max	Qty
LMC36GPPK21CF.400	3890 mm	1 Pc



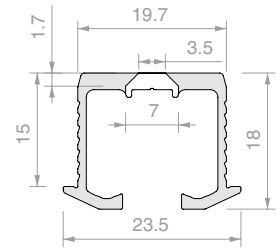


CLIPO 36 DOUBLE TRACK FOR FLUSH MOUNTING

Material: Aluminium

Pre-drilled profile with 150-mm hole pitch

Finish: **/6** /88 /97



Art.	Length	Qty
053.3324.200	1997 mm	1 Pc
053.3324.300	2998 mm	1 Pc
053.3324.600	6000 mm	1 Pc

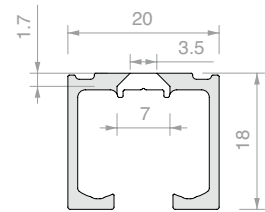


CLIPO 36 SINGLE TRACK FOR CEILING MOUNTING

Material: Aluminium

Pre-drilled profile with 150-mm hole pitch

Finish: **/6** /88 /97



Art.	Length	Qty
053.3326.200	1997 mm	1 Pc
053.3326.300	2998 mm	1 Pc
053.3326.400	3998 mm	1 Pc
053.3326.600	6000 mm	1 Pc

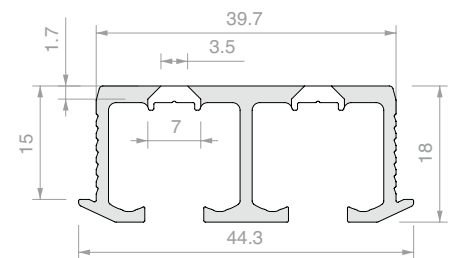


CLIPO 36 DOUBLE TRACK FOR FLUSH MOUNTING

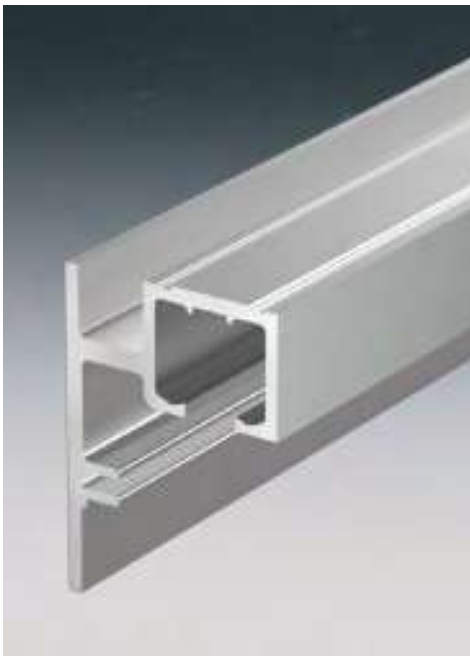
Material: Aluminium

Pre-drilled profile with 150-mm hole pitch

Finish: **/6** /88 /97

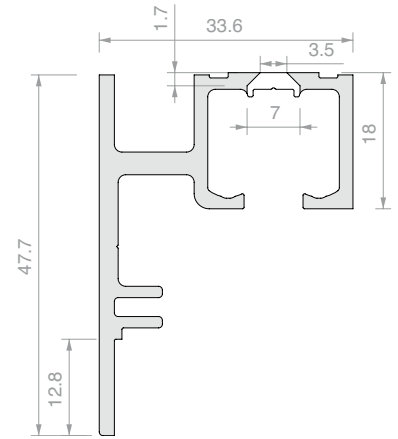
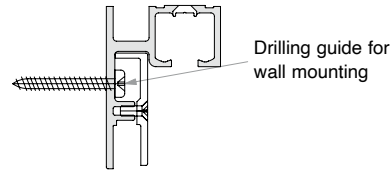


Art.	Length	Qty
053.3342.200	1997 mm	1 Pc
053.3342.300	2998 mm	1 Pc
053.3342.600	6000 mm	1 Pc



SINGLE TRACK FOR WALL OR CEILING FIXING WITH OR WITHOUT FIXED GLASS CLIPO 36

Material: Aluminium
 Pre-drilled ceiling profile with 150-mm hole pitch.
 For wall mounting, drill following the guide provided
 Finish: **/6 /88 /97**

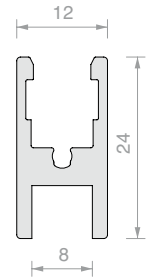


Art.	Length	For glass	Qty
053.3338.200	1997 mm	From 6 to 8 mm	1 Pc
053.3338.300	2998 mm	From 6 to 8 mm	1 Pc
053.3338.400	3998 mm	From 6 to 8 mm	1 Pc
053.3338.600	6000 mm	From 6 to 8 mm	1 Pc



CLIPO 36 GLASS-HOLDER PROFILE

Material: Aluminium
 Finish: **/6 /88 /97**
Note: Apply silicone along the entire length of the profile.

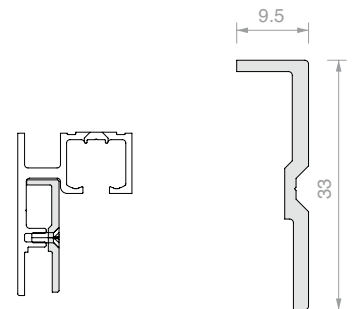


Art.	Length	For glass	Qty
053.3072.100	996 mm	From 6 to 8 mm	1 Pc
053.3072.200	1997 mm	From 6 to 8 mm	1 Pc
053.3072.300	2998 mm	From 6 to 8 mm	1 Pc
053.3072.600	6000 mm	From 6 to 8 mm	1 Pc



CLIPO 36 SUPPORT PROFILE FOR FIXED GLASS

Material: Aluminium
 Finish: **/6 /88 /97**
Note: To fix the profile to the track, use M3 x 8 mm screws Art. **VIT965-3x8-ZN**



Art.	Length	Qty
053.3071.300	3000 mm	1 Pc

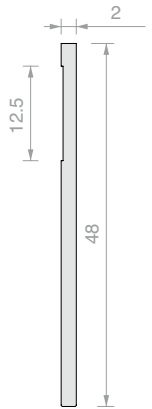
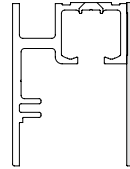


CLIPO 36 COVER FOR TRACK 053.3338

Materiale: Aluminium

Finish: /6 /88 /97

Note: Apply using double-sided adhesive along the entire length.



Art.	Length	Qty
053.3075.300	3000 mm	1 Pc



CLIPO 36 GPPK DOOR SLIDING KIT

The kit requires glass-holder profile 053.3372 both above and below.

Side caps included only in black finish.

Art.	For glass	Qty
053.3361.072	From 6 to 8 mm	1 Pc



CLIPO 36 GPK DOOR SLIDING KIT

The kit requires glass-holder profile 053.3372 only above.

Side caps included only in black finish.

Finish: /3 /97 /R2

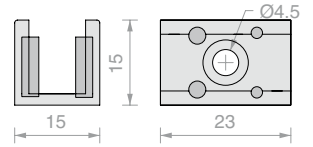
Art.	For glass	Qty
053.3361.071	From 6 to 8 mm	1 Pc



LOWER GUIDE FOR CLIPO 36 GPK

Material: Brass

Finish: /3 /97 /R2



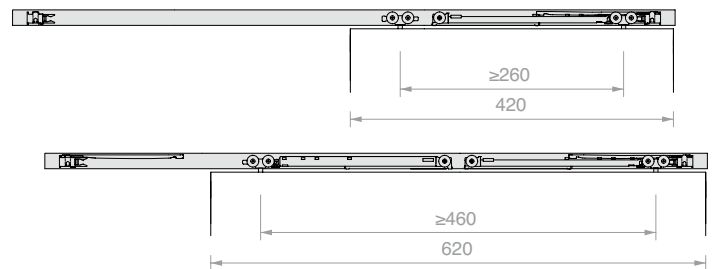
Art.	For glass	Qty
LMGF15	From 6 to 8 mm	1 Pc



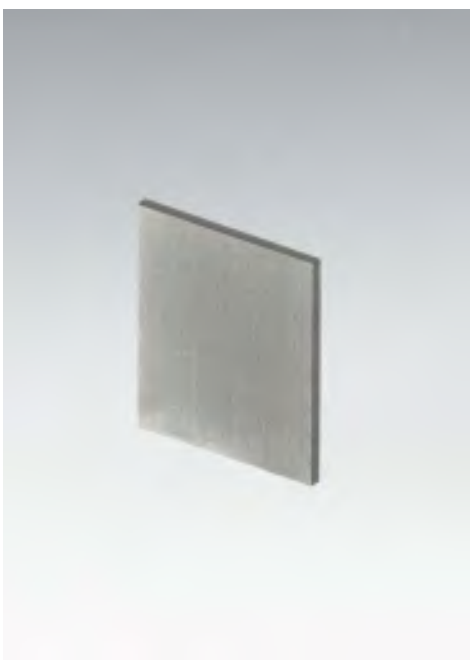
2 CLIPO 36 DAMPENERS

Minimum leaf width to install 1 dampener 420 mm

Minimum leaf width to install 2 dampeners 620 mm



Art.	Load	Qty
057.3159.071	Up to 15 kg	1 Pc
057.3159.072	Up to 26 kg	1 Pc
057.3159.073	Up to 36 kg	1 Pc

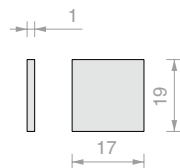


**CAP FOR TRACK 053.3326
CLIPO 36**

Material: Aluminium

Finish: /6 /88 /97

Note: For installation, apply silicone to the entire surface of the cap.



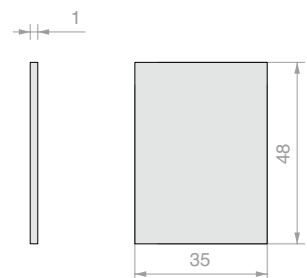
Art.	Qty
LM17019TP10	1 Pc

**CAP FOR TRACK 053.3338
CLIPO 36**

Material: Aluminium

Finish: /6 /88 /97

Note: For installation, apply silicone to the entire surface of the cap.



Art.	Qty
LM48035TP10	1 Pc

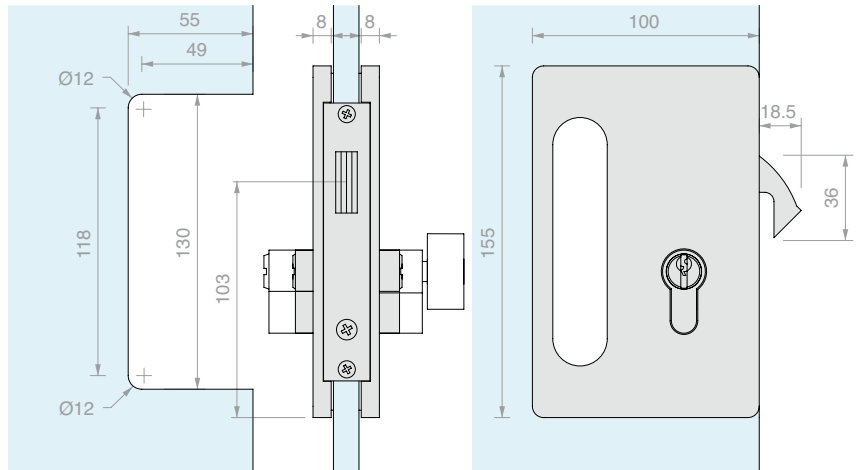
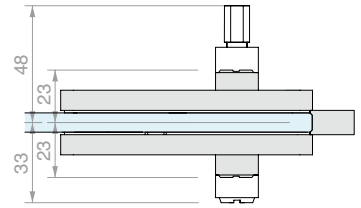


LOCK FOR SLIDING DOORS

Material: Aluminium

Supplied with European cylinder and 3 keys

Finish: /88 /97



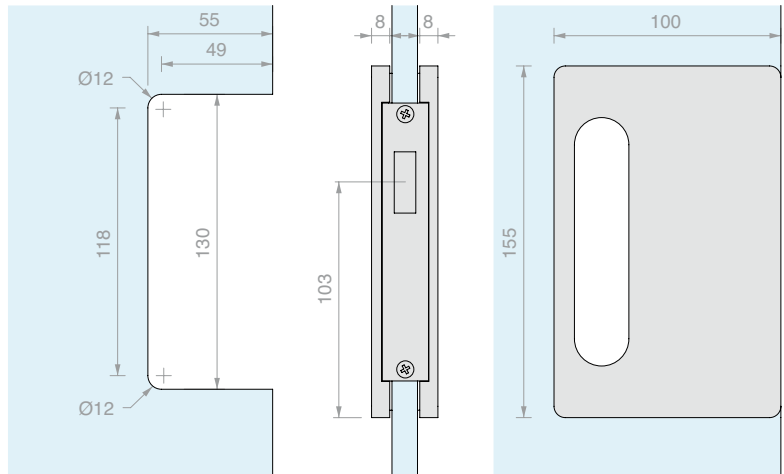
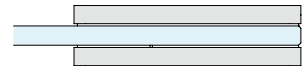
Art.	For glass	Lock	Key	Qty
SERSD610S	From 10 to 12 mm	Lock + lock	Different	1 Pc
SERSD610SU	From 10 to 12 mm	Lock + lock	Single	1 Pc
SERSD610P	From 10 to 12 mm	Door knob + lock	Single	1 Pc



STRIKE PLATE FOR GLASS

Material: Aluminium

Finish: /88 /97



Art.	For glass	Qty
SERSD620	From 10 to 12 mm	1 Pc



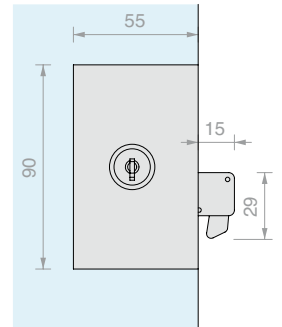
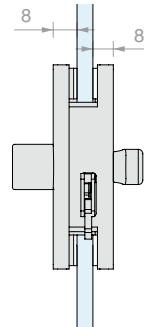
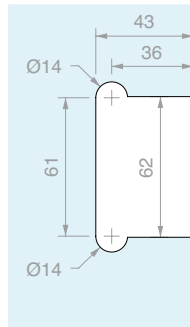
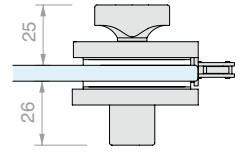
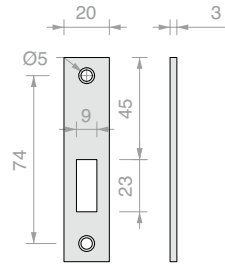
LOCK FOR SLIDING DOORS

Material: Aluminium

Right-hand side (for left-hand side fit upside-down).

With 2 keys

Finish: /88 /97



Art.	For glass	Key	Qty
DQS15	From 8 to 12 mm	Different	1 Pc



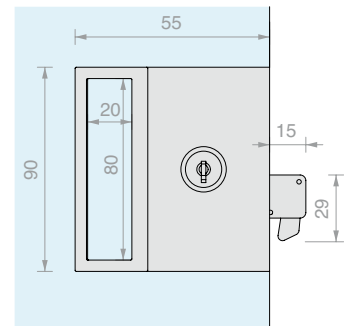
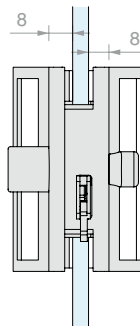
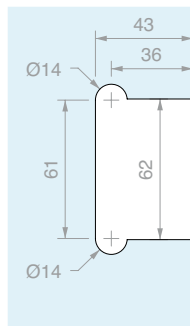
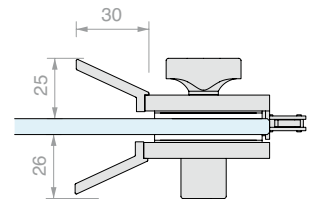
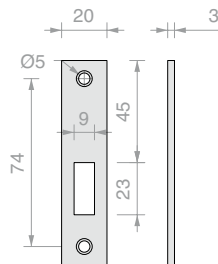
LOCK FOR SLIDING DOORS WITH HANDLE

Material: Aluminium

Right-hand side (for left-hand side fit upside-down).

With 2 keys

Finish: /88 /97



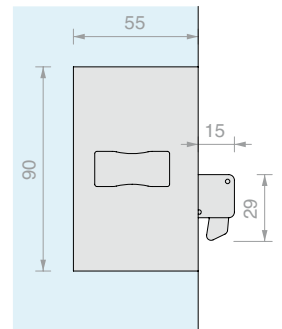
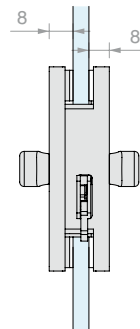
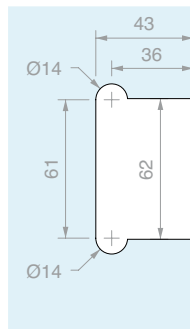
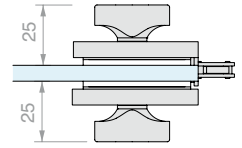
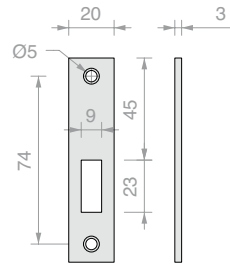
Art.	For glass	Key	Qty
DQ525	From 8 to 12 mm	Different	1 Pc

LOCK FOR SLIDING DOORS WITH DOUBLE DOOR KNOB

Material: Aluminium

Right-hand side (for left-hand side fit upside-down).

Finish: /88 /97



Art.

For glass

Qty

DQS13

From 8 to 12 mm

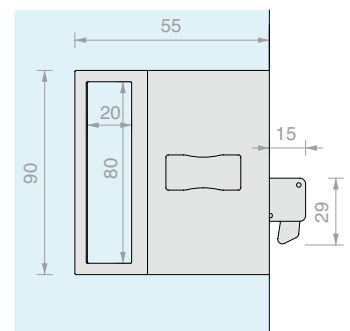
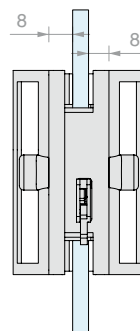
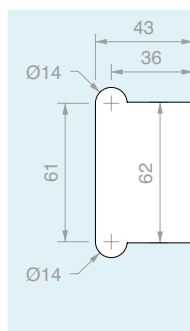
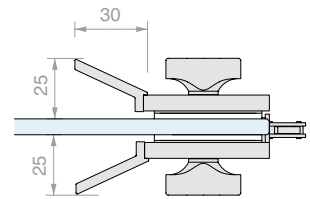
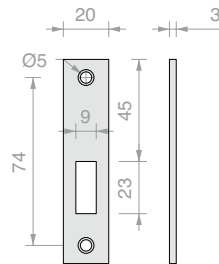
1 Pc

LOCK FOR SLIDING DOORS WITH DOUBLE DOOR KNOB AND HANDLE

Material: Aluminium

Right-hand side (for left-hand side fit upside-down).

Finish: /88 /97



Art.

For glass

Qty

DQS23

From 8 to 12 mm

1 Pc

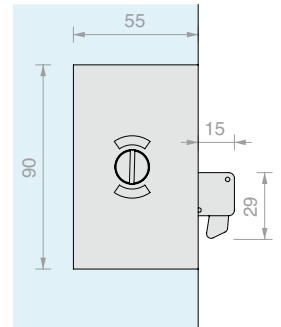
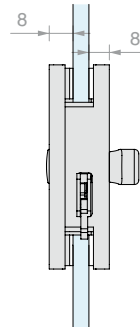
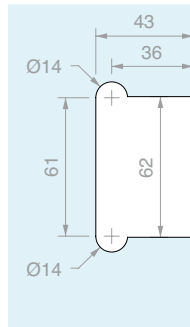
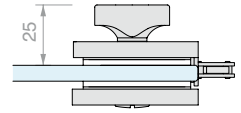
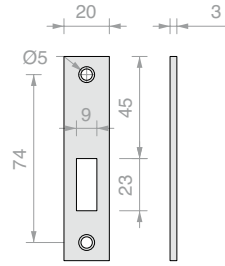


FREE/OCCUPIED LOCK FOR SLIDING DOORS WITH DOOR KNOB

Material: Aluminium

Right-hand side (for left-hand side fit upside-down).

Finish: /88 /97



Art.	For glass	Qty
DQS11	From 8 to 12 mm	1 Pc

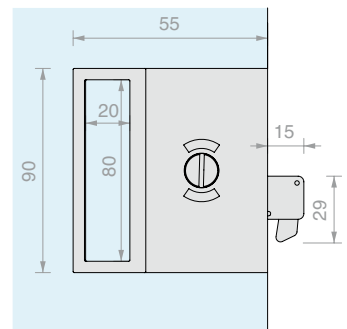
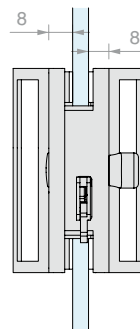
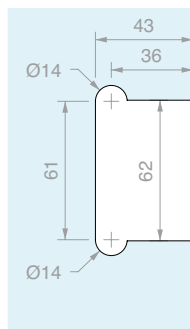
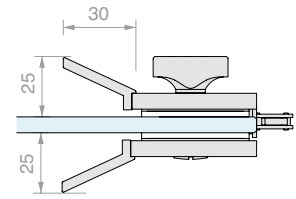
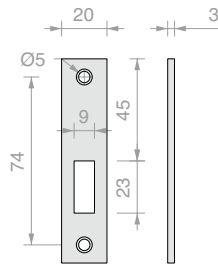


FREE/OCCUPIED LOCK FOR SLIDING DOORS WITH DOOR KNOB AND HANDLE

Material: Aluminium

Right-hand side (for left-hand side fit upside-down).

Finish: /88 /97



Art.	For glass	Qty
DQS21	From 8 to 12 mm	1 Pc

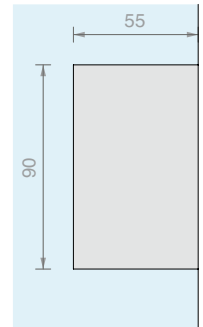
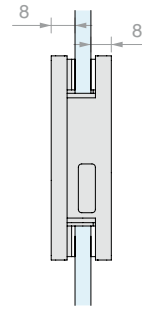
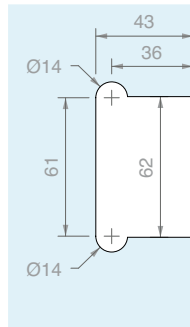
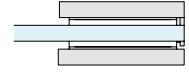


GLASS COUNTERLOCK

Material: Aluminium

Right-hand side (for left-hand side fit upside-down).

Finish: /88 /97



Art.
DQS37

For glass
From 8 to 12 mm

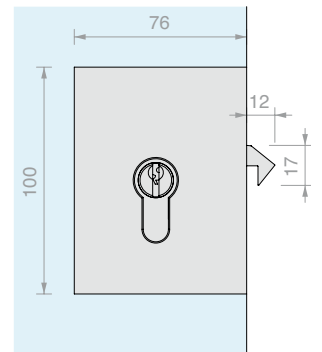
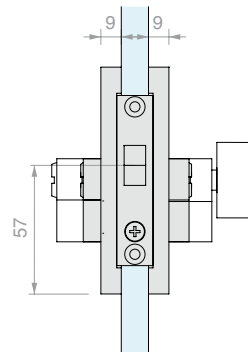
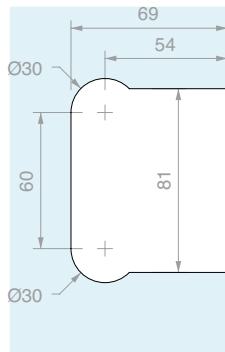
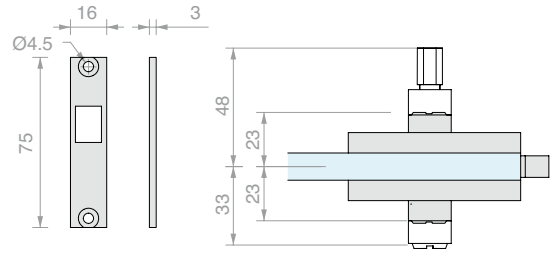
Qty
1 Pc





LOCK FOR SLIDING DOORS

Material: Brass
 Supplied with European cylinder and 3 keys
 Finish: /3 /45

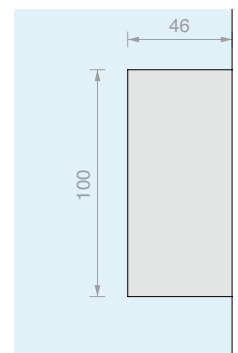
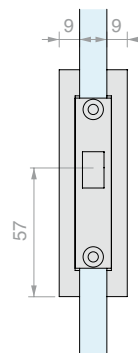
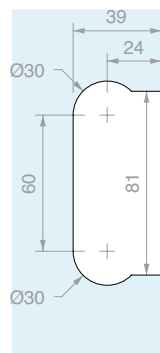
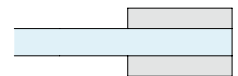


Art.	For glass	Lock	Key	Qty
SERMG10S	From 8 to 12 mm	Lock + lock	Different	1 Pc
SERMG10SU	From 8 to 12 mm	Lock + lock	Single	1 Pc
SERMG10P	From 8 to 12 mm	Door knob + lock	Single	1 Pc



STRIKE PLATE FOR GLASS

Material: Brass
 Finish: /3 /45



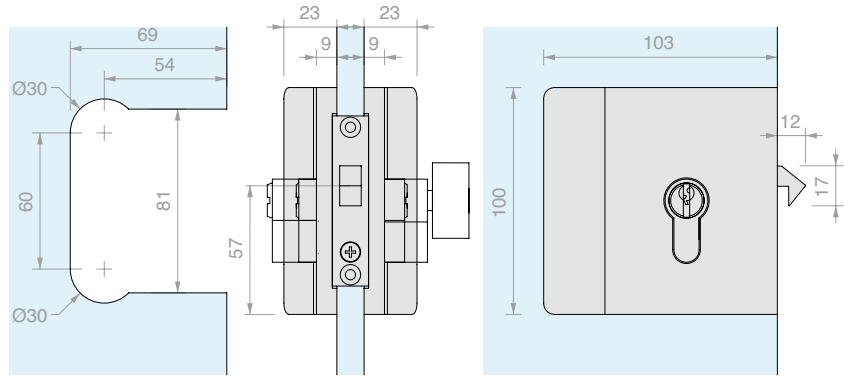
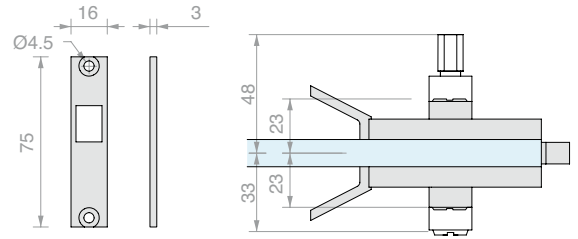
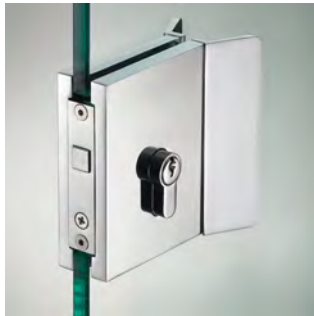
Art.	For glass	Qty
SERMGC1	From 8 to 12 mm	1 Pc

LOCK FOR SLIDING DOORS WITH HANDLE

Material: Brass

Supplied with European cylinder and 3 keys

Finish: /3 /45



Art.	For glass	Lock	Key	Qty
SERMGM10S	From 8 to 12 mm	Lock + lock	Different	1 Pc
SERMGM10SU	From 8 to 12 mm	Lock + lock	Single	1 Pc
SERMGM10P	From 8 to 12 mm	Door knob + lock	Single	1 Pc

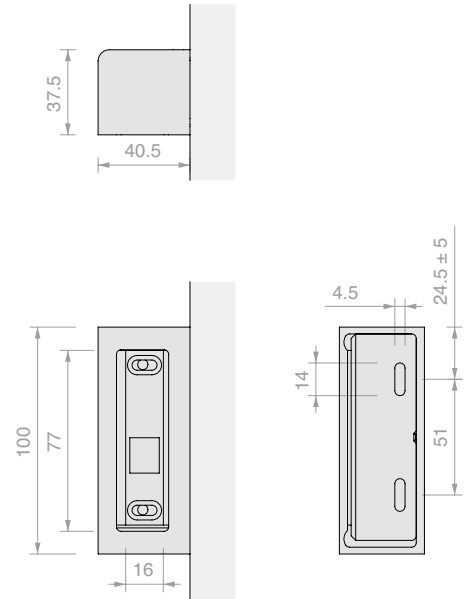




WALL STRIKE PLATE

Material: Brass

Finish: /3 /45



Art.

SERMG19

Q.ty

1 Pc

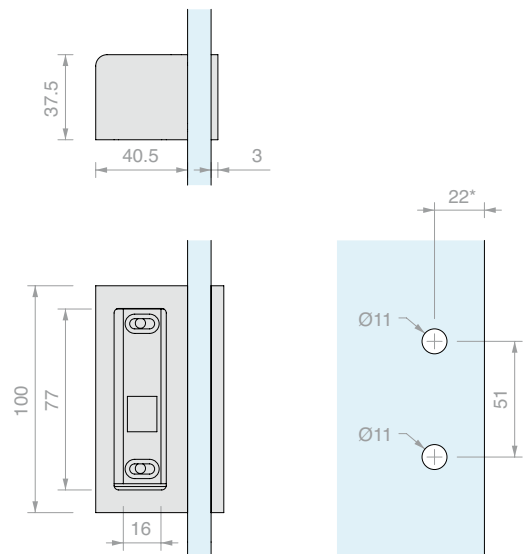


GLASS STRIKE PLATE

Material: Brass

Finish: /3 /45

*add the desired overlap between the panes to this measurement



Art.

SERMG12

For glass

From 8 to 12 mm

Qty

1 Pc



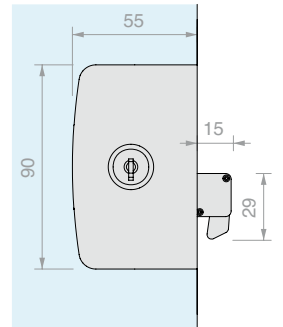
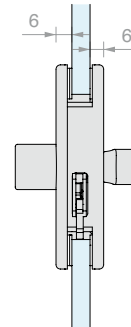
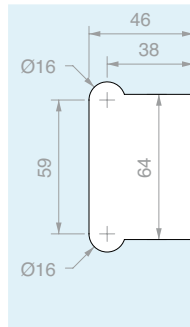
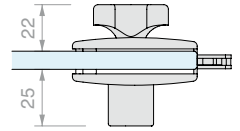
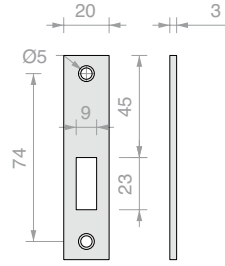
LOCK FOR SLIDING DOORS

Material: Brass

Right-hand side (for left-hand side fit upside-down).

With 2 keys

Finish: /1 /24 /45



Art.	For glass	Key	Qty
CHN28	From 8 to 10 mm	Different	1 Pc



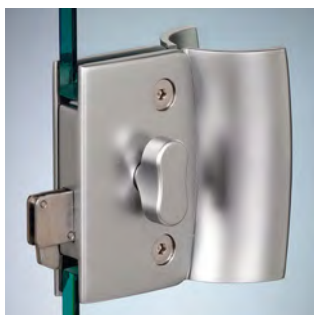
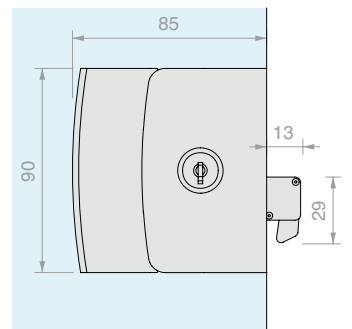
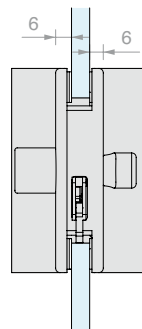
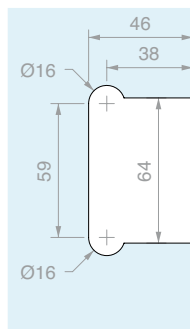
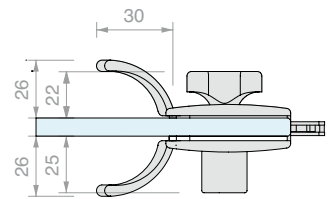
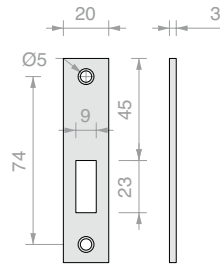
LOCK FOR SLIDING DOORS WITH HANDLE

Material: Brass

Right-hand side (for left-hand side fit upside-down).

With 2 keys

Finish: /1 /24 /45



Art.	For glass	Key	Qty
CHN31	From 8 to 10 mm	Different	1 Pc

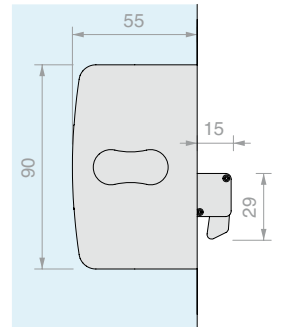
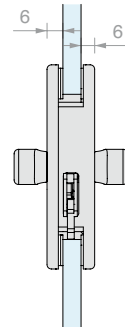
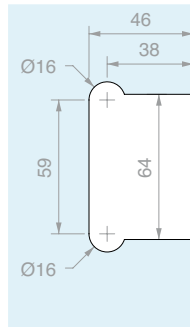
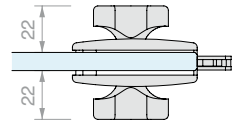
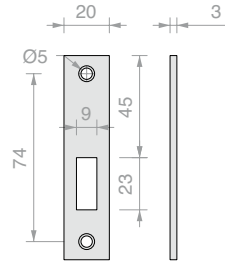


LOCK FOR SLIDING DOORS WITH DOUBLE DOOR KNOB

Material: Brass

Right-hand side (for left-hand side fit upside-down).

Finish: /1 /24 /45



Art.	For glass	Qty
CLH12	From 8 to 10 mm	1 Pc

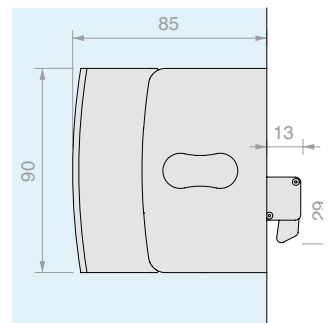
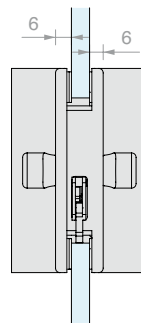
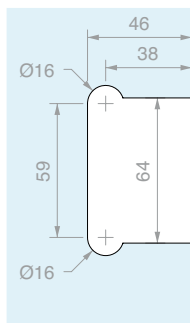
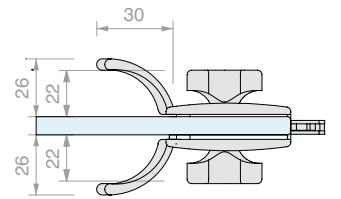
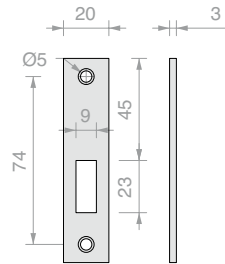


LOCK FOR SLIDING DOORS WITH DOUBLE DOOR KNOB AND HANDLE

Material: Brass

Right-hand side (for left-hand side fit upside-down).

Finish: /1 /24 /45



Art.	For glass	Qty
CLHM14	From 8 to 10 mm	1 Pc

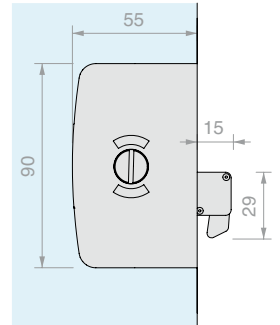
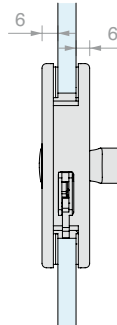
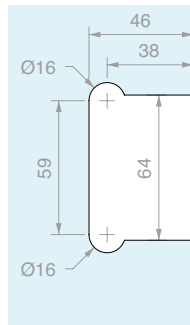
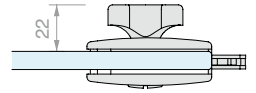
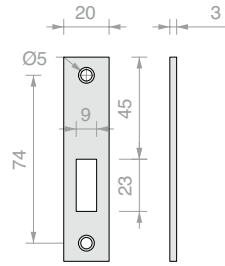


FREE/OCCUPIED LOCK FOR SLIDING DOORS WITH DOOR KNOB

Material: Brass

Right-hand side (for left-hand side fit upside-down).

Finish: /1 /24 /45



Art.	For glass	Qty
CLS10	From 8 to 10 mm	1 Pc

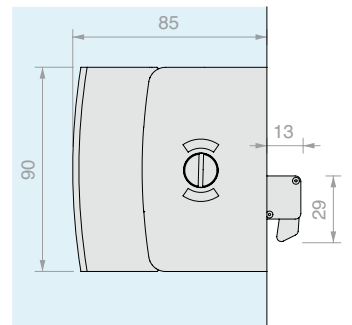
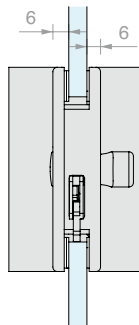
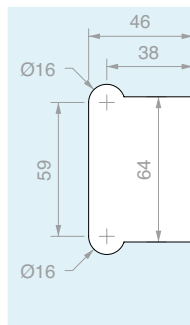
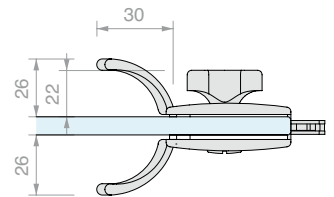
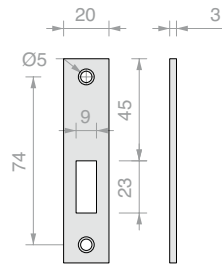


FREE/OCCUPIED LOCK FOR SLIDING DOORS WITH DOOR KNOB AND HANDLE

Material: Brass

Right-hand side (for left-hand side fit upside-down).

Finish: /1 /24 /45



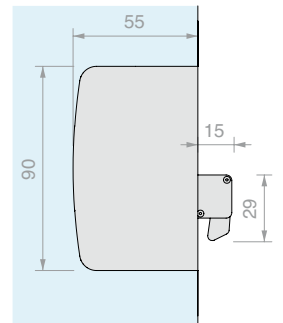
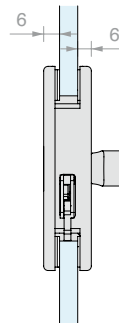
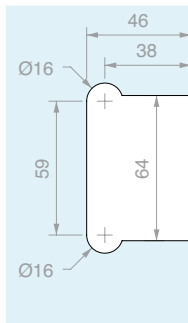
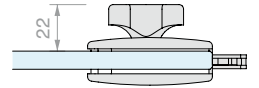
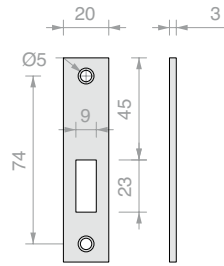
Art.	For glass	Qty
CLM11	From 8 to 10 mm	1 Pc

LOCK FOR SLIDING DOOR SINGLE DOOR KNOB

Material: Brass

Right-hand side (for left-hand side fit upside-down).

Finish: /1 /24 /45



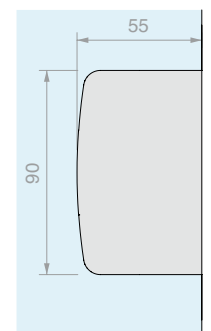
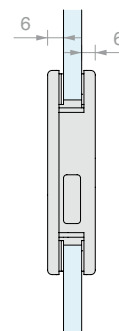
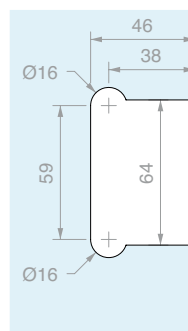
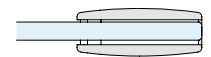
Art.	For glass	Qty
CLPN	From 8 to 10 mm	1 Pc

GLASS COUNTERLOCK

Material: Brass

Right-hand side (for left-hand side fit upside-down).

Finish: /1 /24 /45

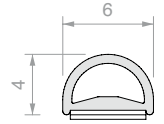


Art.	For glass	Qty
CL95	From 8 to 10 mm	1 Pc



ADHESIVE GASKET FOR GLASS EDGE

Material: TPE
 10 m roll
 Colour: transparent, black

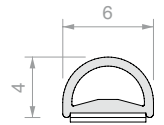


Art.	Colour	Qty
057.3080.001	Black	1 Pc
057.3080.002	Transparent	1 Pc



GLASS BUMPER ADHESIVE GASKET FOR GLASS EDGE

Material: TPE
 12 m roll supplied with transparent VHB high adhesion two-sided tape for -40°C to +150°C
 Colour: embossed



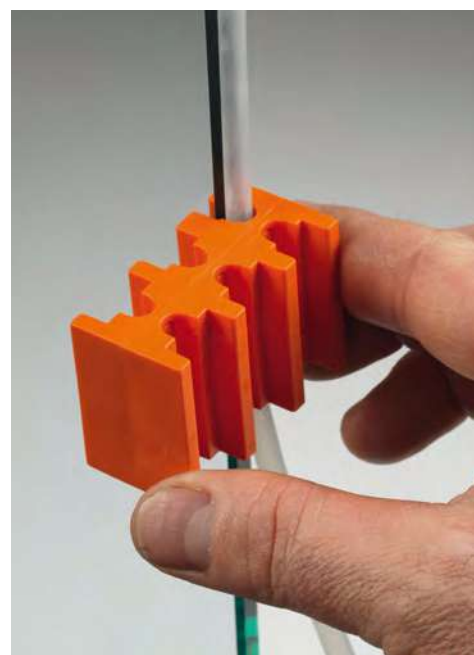
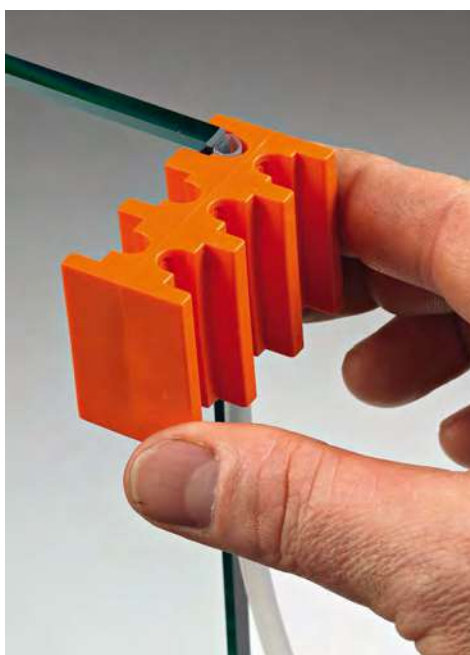
Art.	For glass	Qty
GSB12	From 8 to 13.5 mm	1 Pc



DEGREASING WIPE

Disposable isopropyl alcohol wipe

Art.	Q.ty
GSLSVL	1 Pc



GSB12 MOUNTING TEMPLATE

Plastic mounting template for positioning the glass at the centre of the edge along the whole length.

Material: Plastic

Art.

GSB831

Q.ty

1 Pc

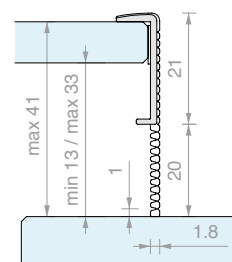


ADHESIVE GLASS LIP SLIDE GASKET WITH LEAK PROTECTION LIP THAT CAN BE SHORTENED

Material: TPE

Pack of 4 pcs each 3000 m long, supplied with transparent VHB high adhesion two-sided tape for -40°C to +150°C

Colour: embossed



Art.

GSLS217

L

3000 mm

For glass

From **8 to 13.5 mm**

Qty

1 Pc

SYSTEMS FOR STEEL SLIDING DOORS



GLASS DOOR PANELS
6-12.7 mm



GIUMAX 2000
Page 329

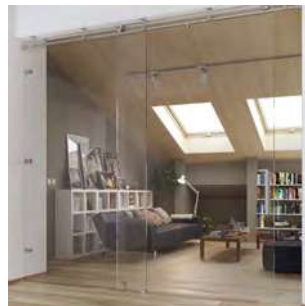


GIUMAX 3000
Page 341



GIUMAX 3200
Page 349

GLASS DOOR PANELS
12-17.5 mm



GIUMAX 8500
Page 359



GIUMAX 6500
Page 369

GLASS DOOR WITH
WOODEN FRAME
≥ 30 mm



GIUMAX 3500
Page 379

GIUMAX

The sliding door systems in the GIUMAX series feature visible slide wheels on the load-bearing track. Made from AISI 304 stainless steel, the systems stand out for their smart appearance, reliability and remarkable durability.

The range features 6 models that match all design and installation requirements. Choose the best solution for your project:



GIUMAX 2000

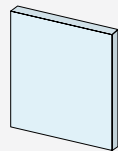


GIUMAX 3000

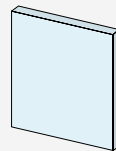


GIUMAX 3200

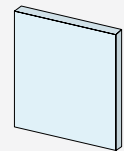
Panel Thickness (mm)



Glass 10-12



Glass 8-10.7

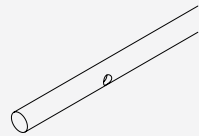
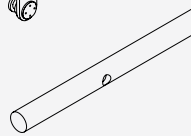
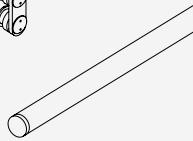


Glass 6-12.7

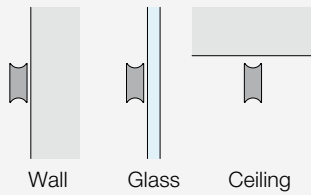
Roller



Track



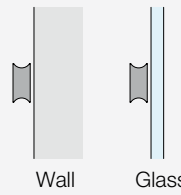
Installation



Wall

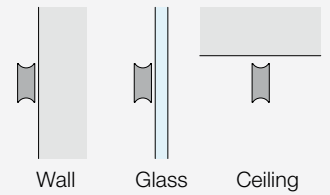
Glass

Ceiling



Wall

Glass



Wall

Glass

Ceiling

Max. load (kg)



100



80



80

FINISH
GIUMAX system
/8



Main components made of brushed steel
Other finishes available on request



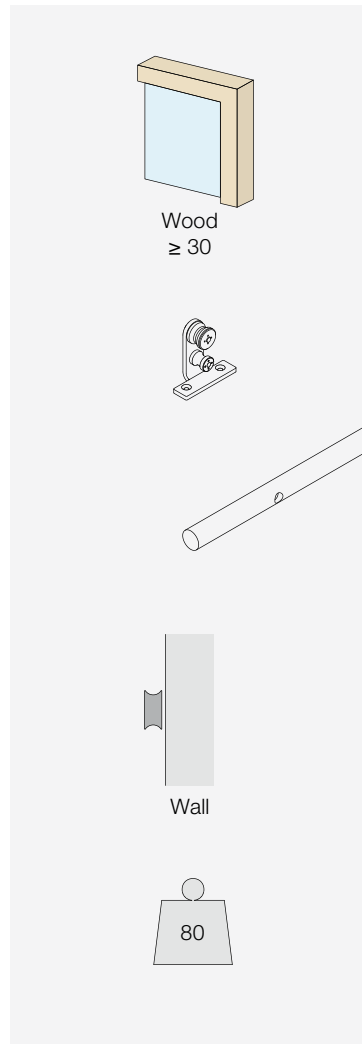
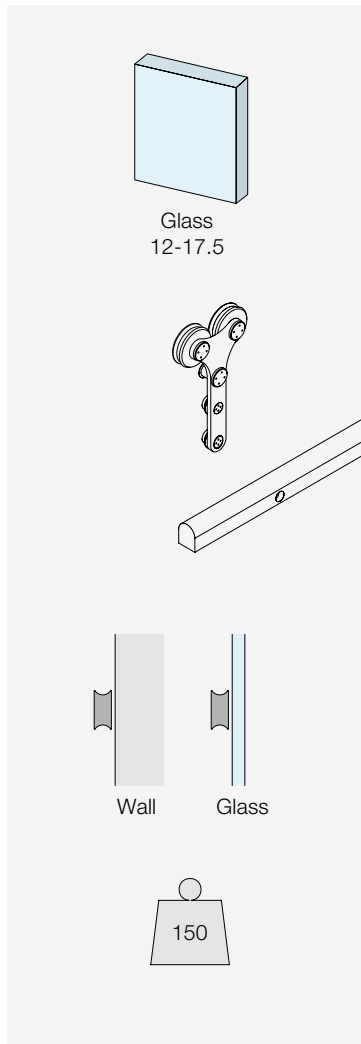
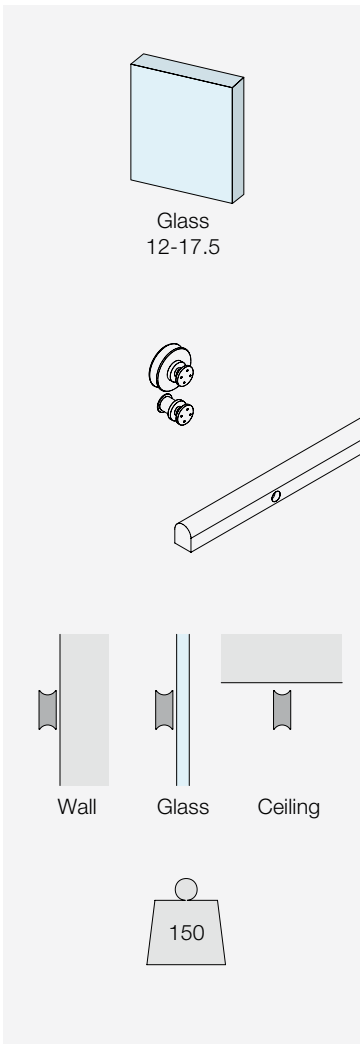
GIUMAX 8500



GIUMAX 6500



GIUMAX 3500





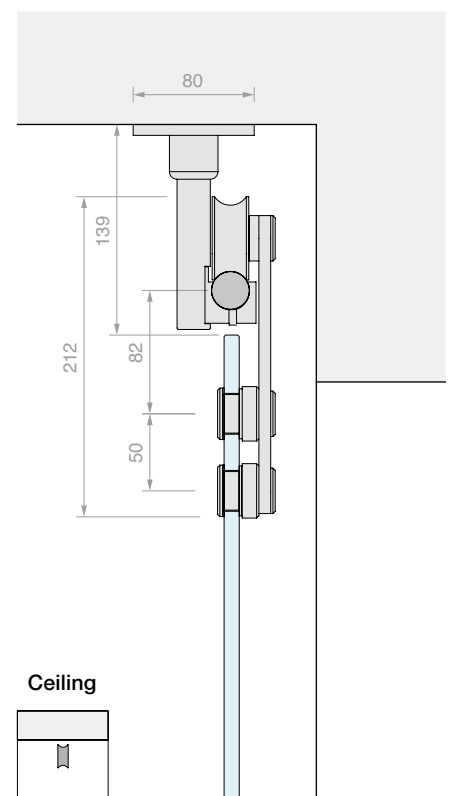
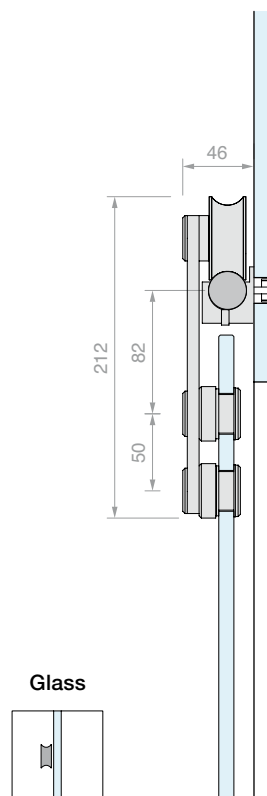
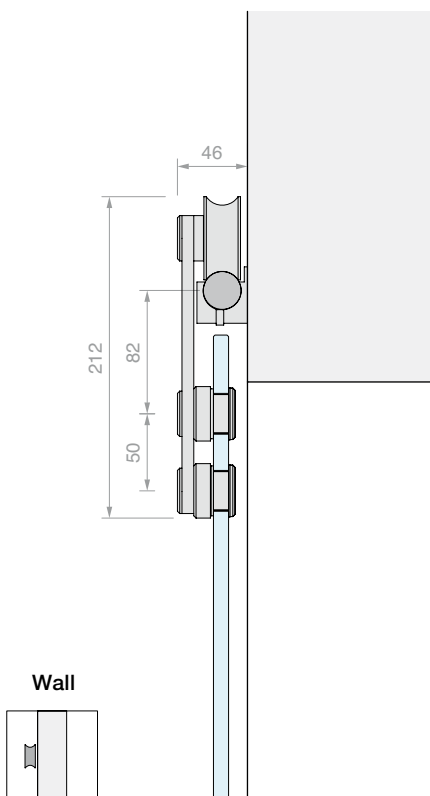
GIUMAX 2000

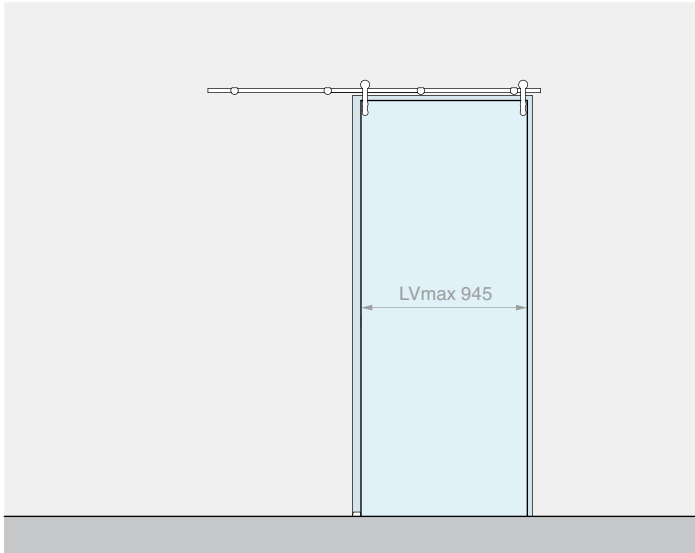
AISI 304 stainless steel sliding door system composed of a round load-bearing track, visible rollers and fixing accessories.

The roller is composed of a connecting bracket, an upper sliding wheel and two studs for fixing the door panel. The couple of rollers allows a sliding of a door panel with a thickness of 10 to 12 mm and a considerable weight, up to 100 kg.

The roller technology allows the height of the studs to be adjusted to ease the position of the door panel.

The fixing parts allow a customised fitment of the track according to the type of installation: on the wall, glass partition or ceiling.

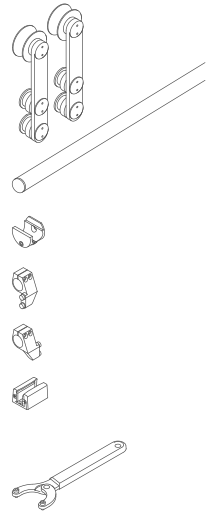




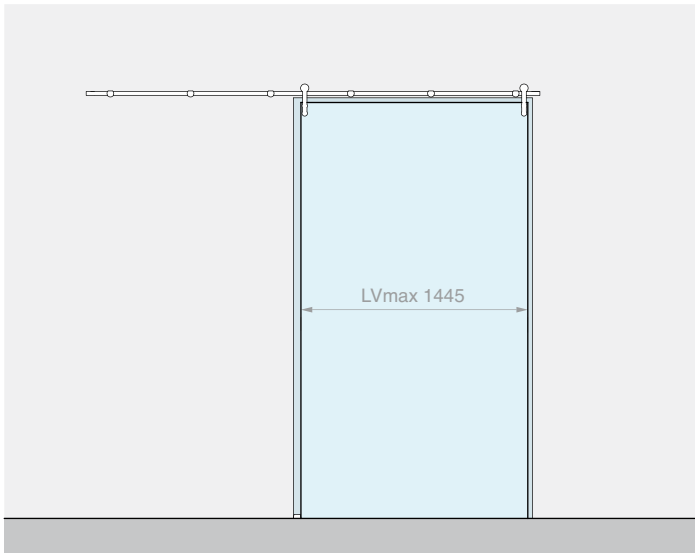
Kit comprising:

Finish: /8

Art.	Description	Qty
GLM2500	Kit of 2 rollers	1 Pc
GLMCAV2	Tubular track L = 2000 mm	1 Pc
GLM33M5	Wall fixing	4 Pcs
GLMBLCDX	Right end stop	1 Pc
GLMBLCSX	Left end stop	1 Pc
057.3030.071	Adjustable floor guide	1 Pc
Optional		
UT300	Pin wrench	1 Pc



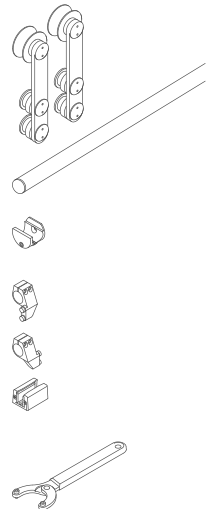
Art.	Description	For glass	Max. load	Qty
GLM20002MUR	Wall fixing sliding door kit	From 10 to 12 mm	100 kg	1 Pc



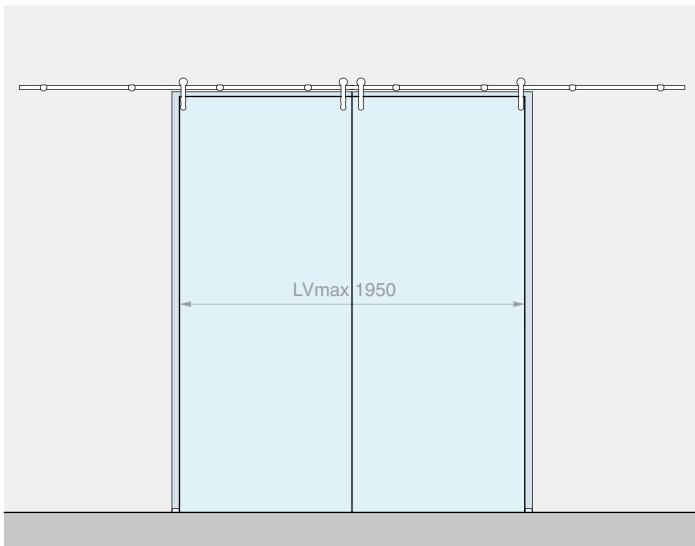
Kit comprising:

Finish: /8

Art.	Description	Qty
GLM2500	Kit of 2 rollers	1 Pc
GLMCAV3	Tubular track L = 3000 mm	1 Pc
GLM33M5	Wall fixing	6 Pcs
GLMBLCDX	Right end stop	1 Pc
GLMBLCSX	Left end stop	1 Pc
057.3030.071	Adjustable floor guide	1 Pc
Optional		
UT300	Pin wrench	1 Pc



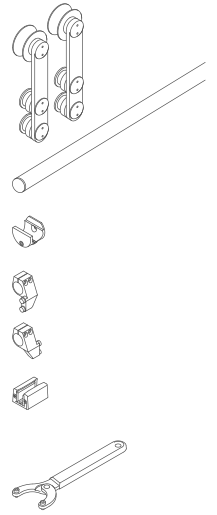
Art.	Description	For glass	Max. load	Qty
GLM20003MUR	Wall fixing sliding door kit	From 10 to 12 mm	100 kg	1 Pc



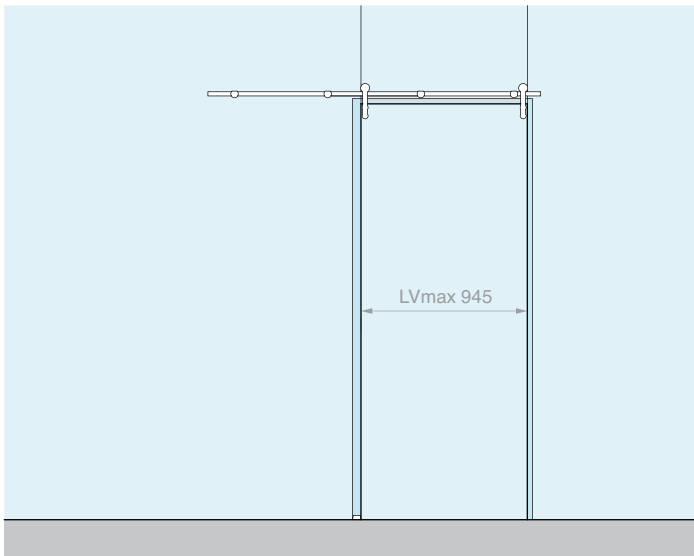
Kit comprising:

Finish: /8

Art.	Description	Qty
GLM2500	Kit of 2 rollers	2 Pcs
GLMCAV4	Tubular track L = 4000 mm	1 Pc
GLM33M5	Wall fixing	8 Pcs
GLMBLCDX	Right end stop	2 Pcs
GLMBLCSX	Left end stop	2 Pcs
057.3030.071	Adjustable floor guide	2 Pcs
Optional		
UT300	Pin wrench	1 Pc



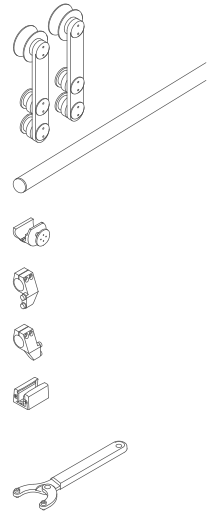
Art.	Description	For glass	Max. load	Qty
GLM20004MUR	Wall fixing sliding door kit for 2 door panels	From 10 to 12 mm	100 + 100 kg	1 Pc



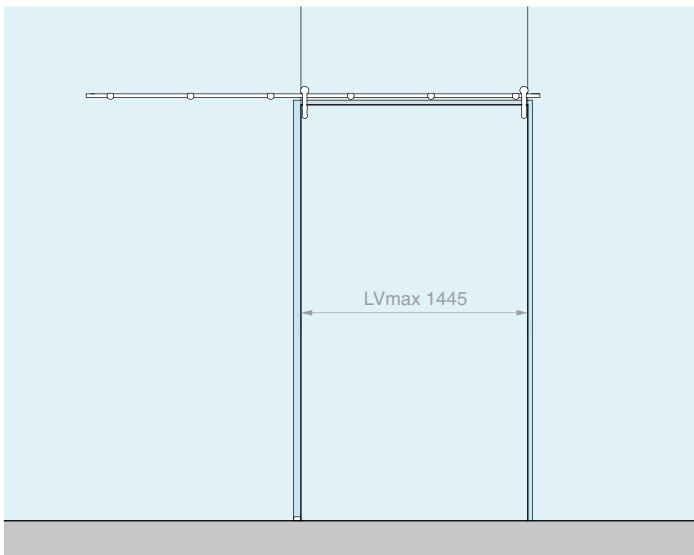
Kit comprising:

Finish: /8

Art.	Description	Qty
GLM2500	Kit of 2 rollers	1 Pc
GLMCAV2	Tubular track L = 2000 mm	1 Pc
GLM33VT	Glass fixing	4 Pcs
GLMBLCDX	Right end stop	1 Pc
GLMBLCSX	Left end stop	1 Pc
057.3030.071	Adjustable floor guide	1 Pc
Optional		
UT300	Pin wrench	1 Pc



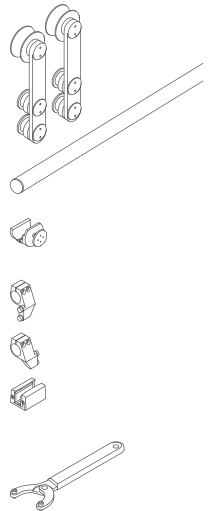
Art.	Description	For glass	Max. load	Qty
GLM20002VET	Glass fixing sliding door kit	From 10 to 12 mm	100 kg	1 Pc



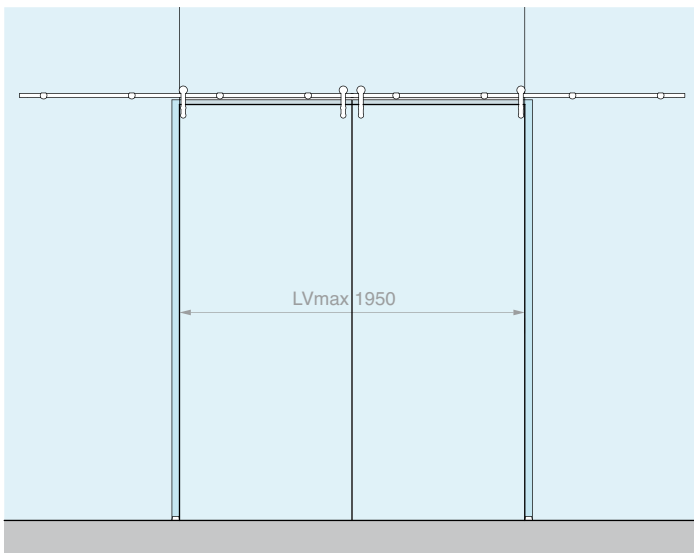
Kit comprising:

Finish: /8

Art.	Description	Qty
GLM2500	Kit of 2 rollers	1 Pc
GLMCAV3	Tubular track L = 3000 mm	1 Pc
GLM33VT	Glass fixing	6 Pcs
GLMBLCDX	Right end stop	1 Pc
GLMBLCSX	Left end stop	1 Pc
057.3030.071	Adjustable floor guide	1 Pc
Optional		
UT300	Pin wrench	1 Pc



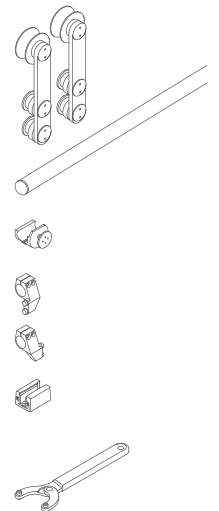
Art.	Description	For glass	Max. load	Qty
GLM20003VET	Glass fixing sliding door kit	From 10 to 12 mm	100 kg	1 Pc



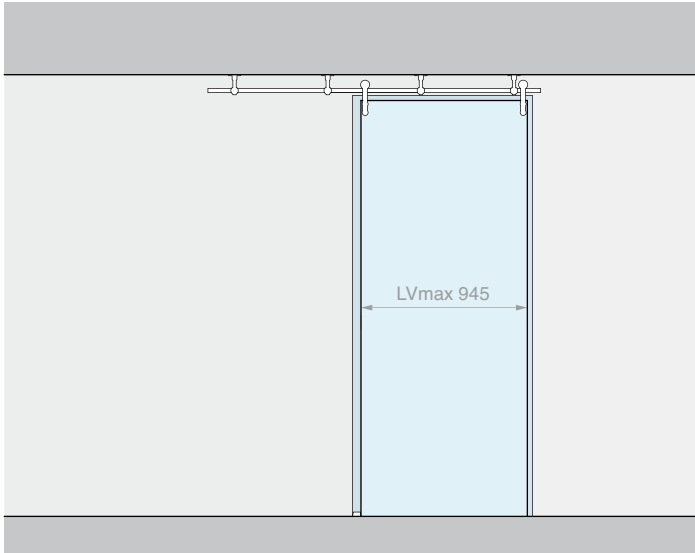
Kit comprising:

Finish: /8

Art.	Description	Qty
GLM2500	Kit of 2 rollers	2 Pcs
GLMCAV4	Tubular track L = 4000 mm	1 Pc
GLM33VT	Glass fixing	8 Pcs
GLMBLCDX	Right end stop	2 Pcs
GLMBLCSX	Left end stop	2 Pcs
057.3030.071	Adjustable floor guide	2 Pcs
Optional		
UT300	Pin wrench	1 Pc



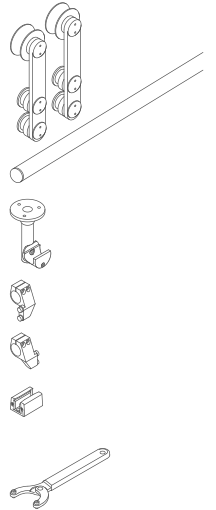
Art.	Description	For glass	Max. load	Qty
GLM20004VET	Glass fixing sliding door kit for 2 door panels	From 10 to 12 mm	100 + 100 kg	1 Pc



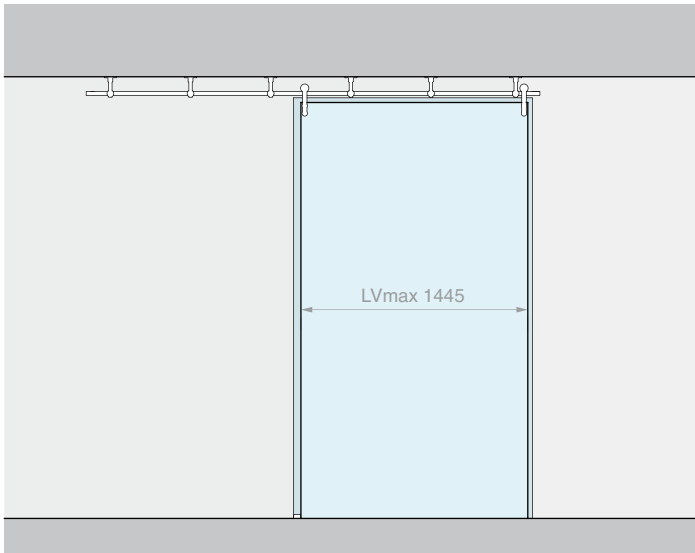
Kit comprising:

Finish: /8

Art.	Description	Qty
GLM2500	Kit of 2 rollers	1 Pc
GLMCAV2	Tubular track L = 2000 mm	1 Pc
GLM2106	Ceiling fixing	4 Pcs
GLMBLCDX	Right end stop	1 Pc
GLMBLCSX	Left end stop	1 Pc
057.3030.071	Adjustable floor guide	1 Pc
Optional		
UT300	Pin wrench	1 Pc



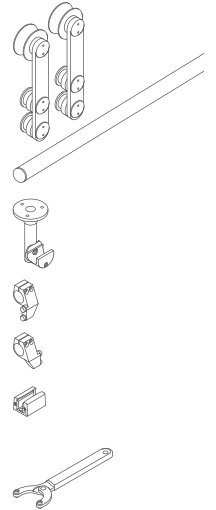
Art.	Description	For glass	Max. load	Qty
GLM20002SOF	Ceiling fixing sliding door kit	From 10 to 12 mm	100 kg	1 Pc



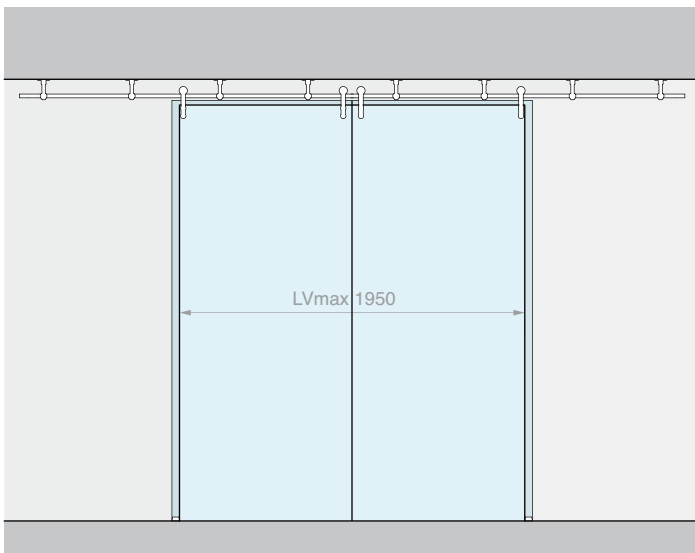
Kit comprising:

Finish: /8

Art.	Description	Qty
GLM2500	Kit of 2 rollers	1 Pc
GLMCAV3	Tubular track L = 3000 mm	1 Pc
GLM2106	Ceiling fixing	6 Pcs
GLMBLCDX	Right end stop	1 Pc
GLMBLCSX	Left end stop	1 Pc
057.3030.071	Adjustable floor guide	1 Pc
Optional		
UT300	Pin wrench	1 Pc



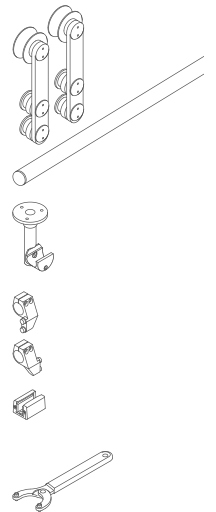
Art.	Description	For glass	Max. load	Qty
GLM20003SOF	Ceiling fixing sliding door kit	From 10 to 12 mm	100 kg	1 Pc



Kit comprising:

Finish: /8

Art.	Description	Qty
GLM2500	Kit of 2 rollers	2 Pcs
GLMCAV4	Tubular track L = 4000 mm	1 Pc
GLM2106	Ceiling fixing	8 Pcs
GLMBLCDX	Right end stop	2 Pcs
GLMBLCSX	Left end stop	2 Pcs
057.3030.071	Adjustable floor guide	2 Pcs
Optional		
UT300	Pin wrench	1 Pc



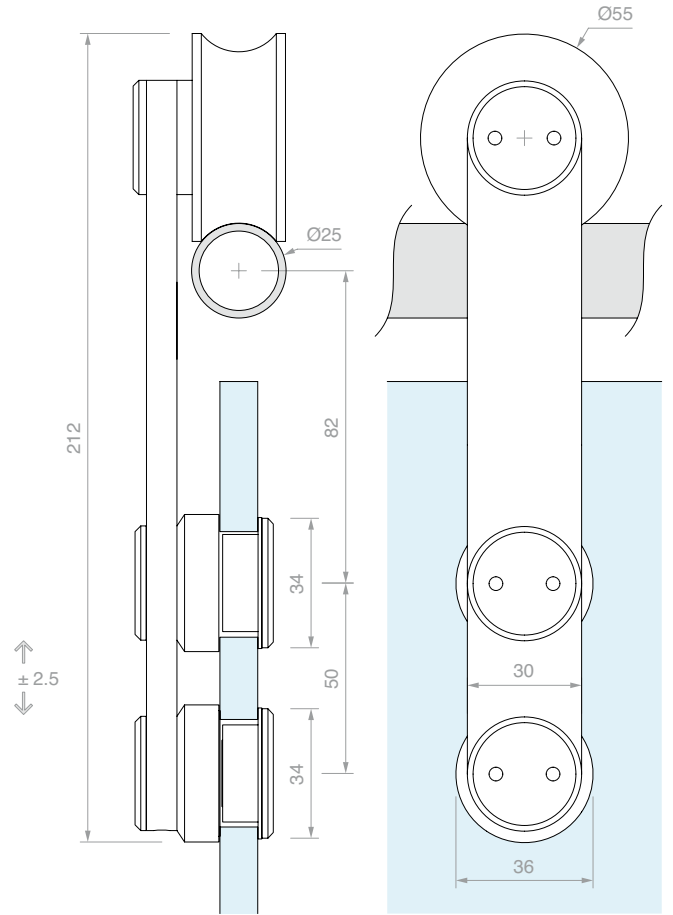
Art.	Description	For glass	Max. load	Qty
GLM20004SOF	Ceiling fixing sliding door kit for 2 door panels	From 10 to 12 mm	100 + 100 kg	1 Pc



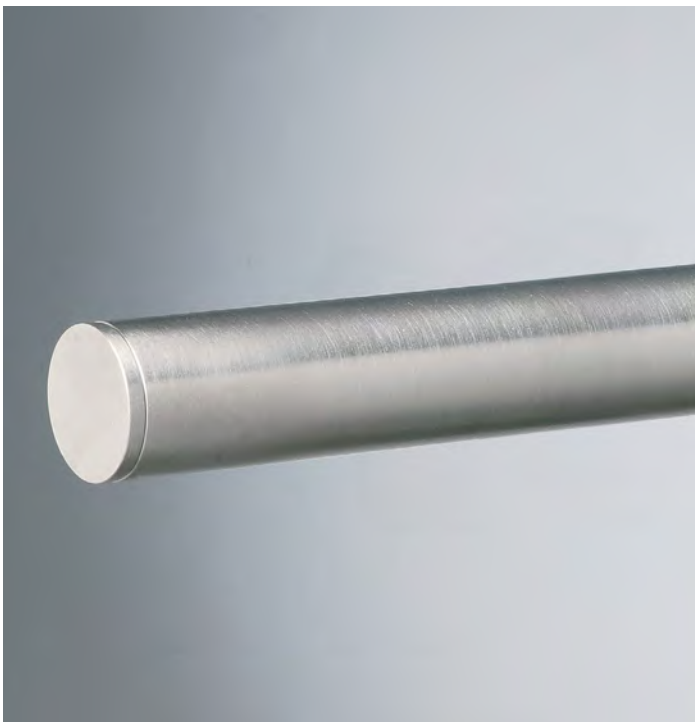


ROLLER

Material: AISI 304 stainless steel
Recommended holes size Ø27 mm
Recommended tool for tightening Art. UT300
Finish: /8

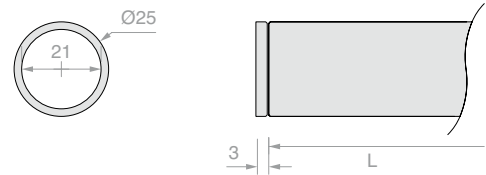


Art.	Description	For glass thickness	Qty.
GLM2550	Single roller	From 10 to 12 mm	1 Pc
GLM2500	Kit of 2 rollers	From 10 to 12 mm	1 Pc



TUBULAR TRACK WITH CAPS

Material: AISI 304 stainless steel
Finish: /8

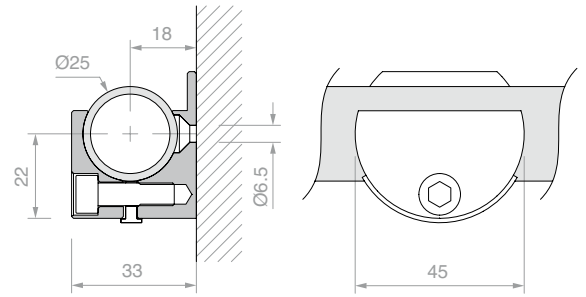


Art.	L	Qty
GLMCAV2	2000 mm	1 Pc
GLMCAV3	3000 mm	1 Pc
GLMCAV4	4000 mm	1 Pc



WALL FIXING

Material: AISI 304 stainless steel
Finish: /9



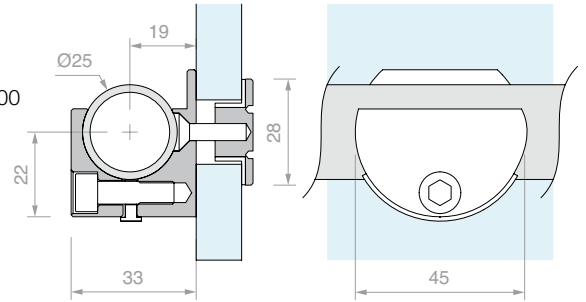
Art.
GLM33M5

Qty
1 Pc



GLASS FIXING

Material: AISI 304 stainless steel
Recommended hole size Ø17 mm
Recommended tool for tightening Art. UT200
Finish: /9



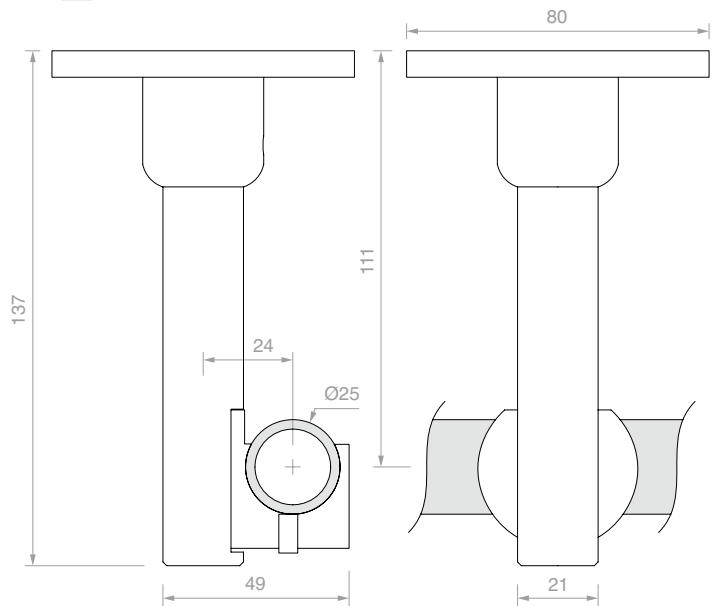
Art. For glass
GLM33VT From 10 to 12 mm

Qty
1 Pc



CEILING FIXING

Material: AISI 304 stainless steel
Finish: /9



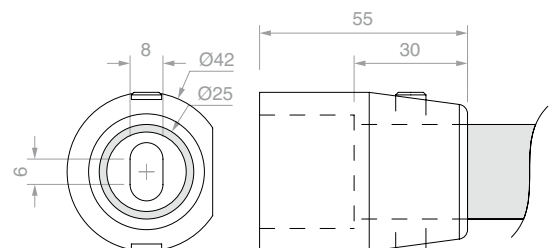
Art.
GLM2106

Qty
1 Pc



SIDE WALL FIXING

Material: AISI 304 stainless steel
Finish: /8



Art.
GLM8300A

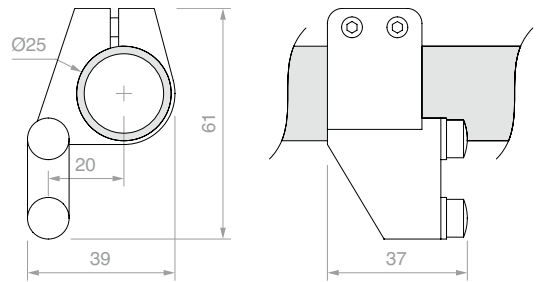
Qty
1 Pc



LEFT END STOP WITH RUBBER BUMPER

Material: AISI 304 stainless steel

Finish: /8



Art.

GLMBLCSX

Qty

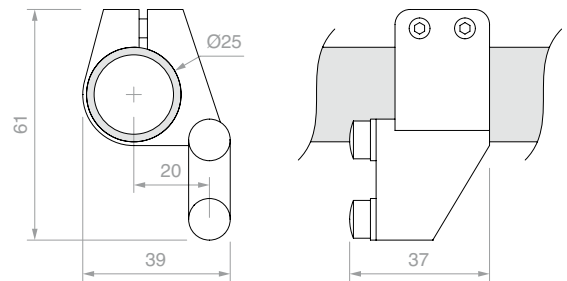
1 Pc



RIGHT END STOP WITH RUBBER BUMPER

Material: AISI 304 stainless steel

Finish: /8



Art.

GLMBLCDX

Qty

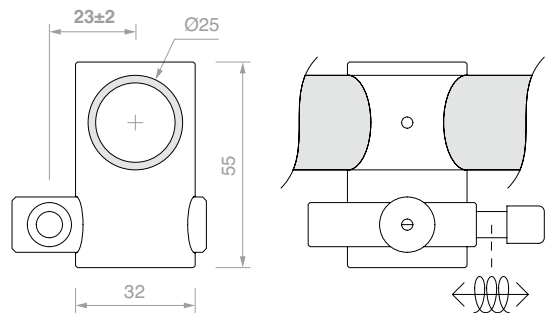
1 Pc



SOFT-CLOSING END STOP

Material: AISI 304 stainless steel

Finish: /8



Art.

GLMMOLL

Qty

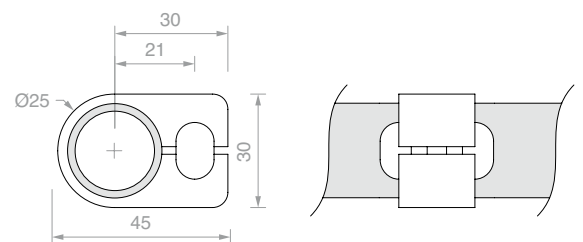
1 Pc



UNIVERSAL END STOP

Material: AISI 304 stainless steel

Finish: /8



Art.

GLMBLC01

Qty

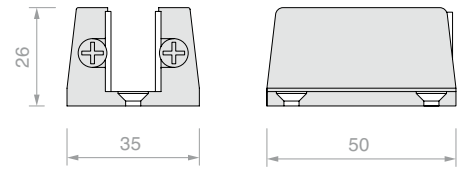
1 Pc



ADJUSTABLE FLOOR GUIDE

Material: aluminium

Finish: /88 /91 /97 /R2



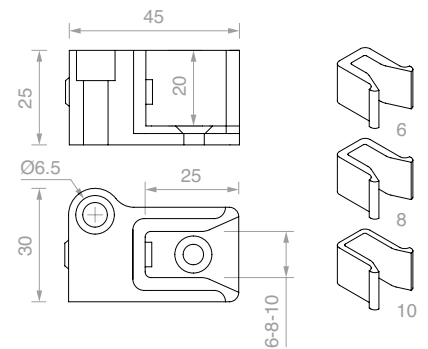
Art.	For glass	Qty
057.3030.071	From 6 to 12.7 mm	1 Pc



LEFT FLOOR DOOR STOP

Material: AISI 304 stainless steel

Finish: /8



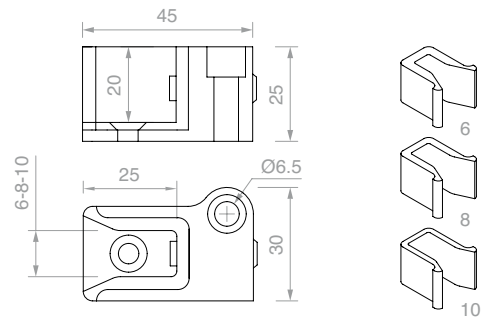
Art.	For glass	Qty
STPSX	From 6 to 10 mm	1 Pc



RIGHT FLOOR DOOR STOP

Material: AISI 304 stainless steel

Finish: /8



Art.	For glass	Qty
STPDX	From 6 to 10 mm	1 Pc



PIN WRENCH

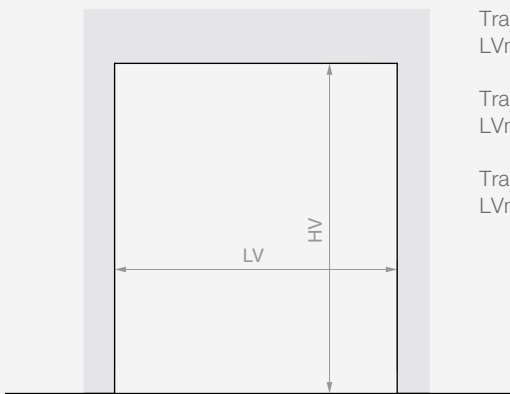
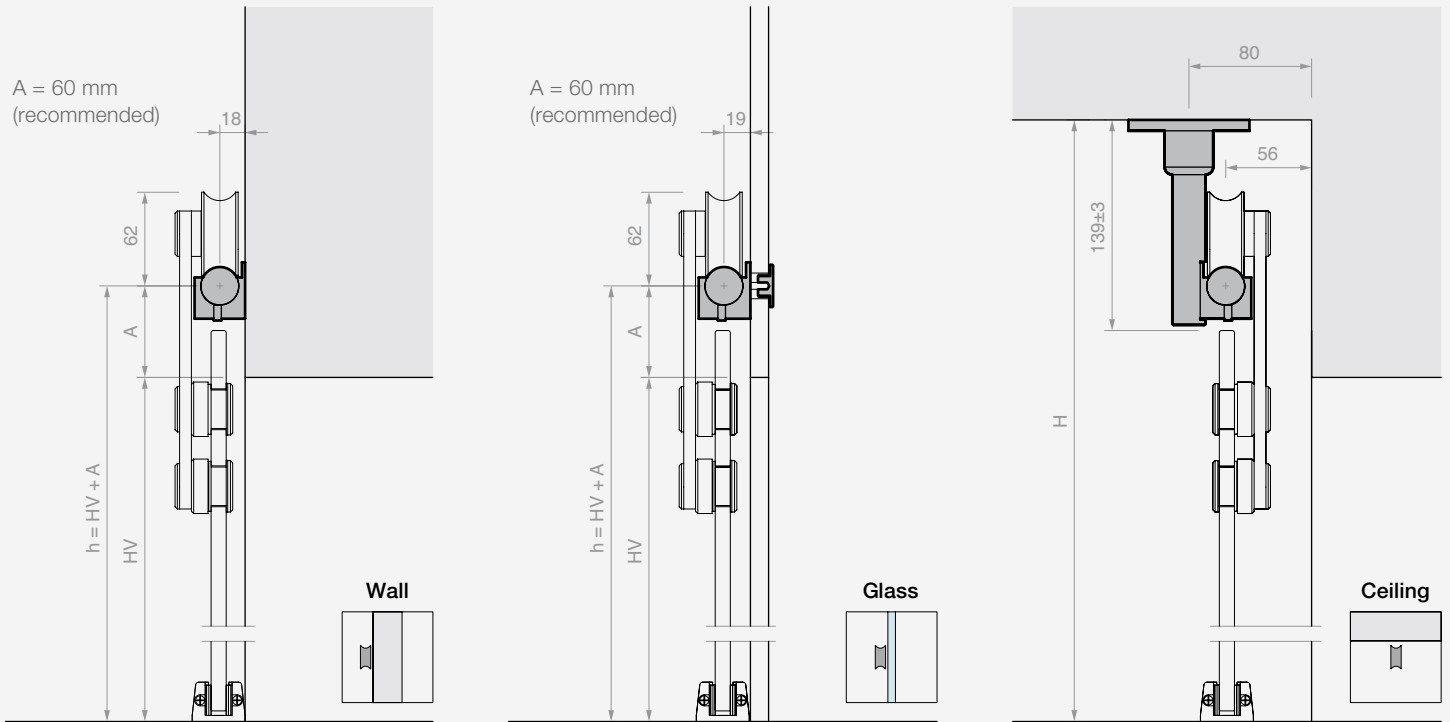
Material: iron body, steel pins

The compass opening allows to operate with wide radiuses, for pair of holes with a centre distance between 9 mm and 55 mm

Art.	Description	Qty
UT300	Pin wrench with Ø2.9 mm pins	1 Pc
UTC300R	2 spare pins Ø2.9 mm	1 Pc



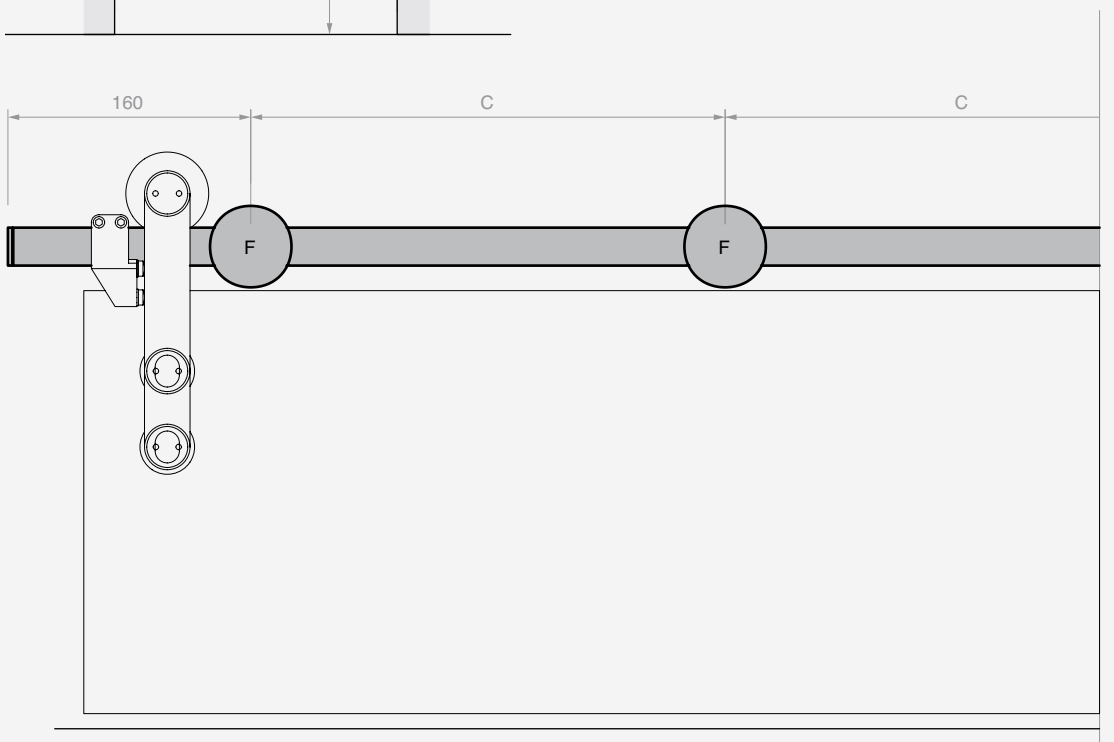
TRACK FIXING



Track L = 2000 mm
LVmax 945 mm

Track L = 3000 mm
LVmax 1445 mm

Track L = 4000 mm
LVmax 1950 mm



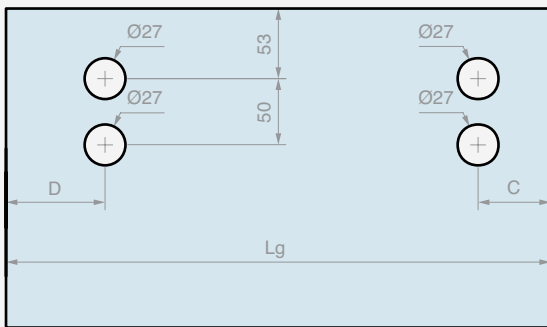
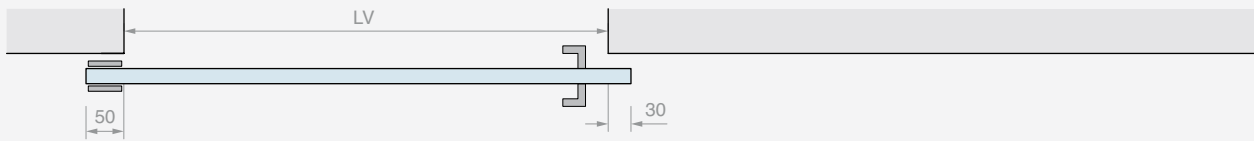
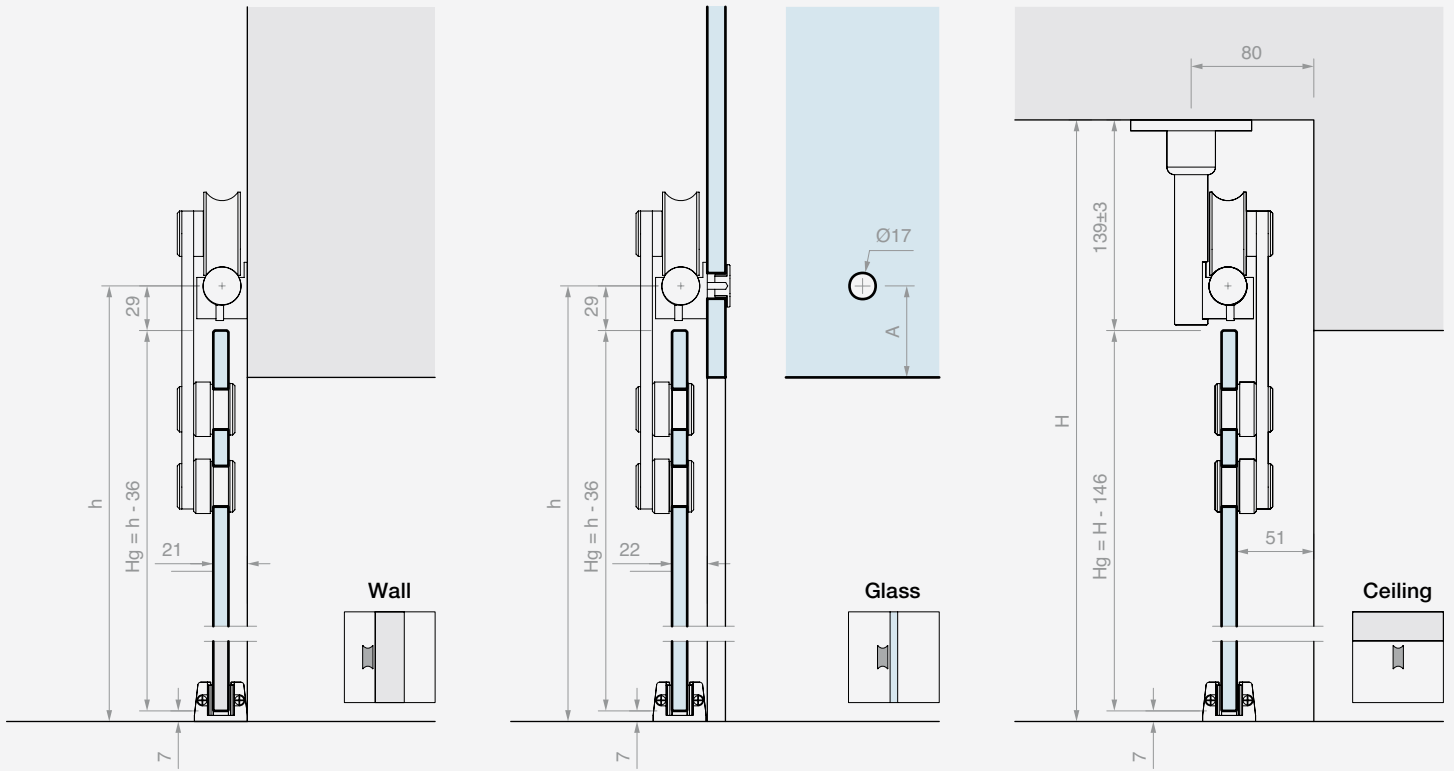
Track L = 2000 mm
4 (recommended) fixings (F)
C (recommended) = 560 mm

Track L = 3000 mm
6 (recommended) fixings (F)
C (recommended) = 540 mm

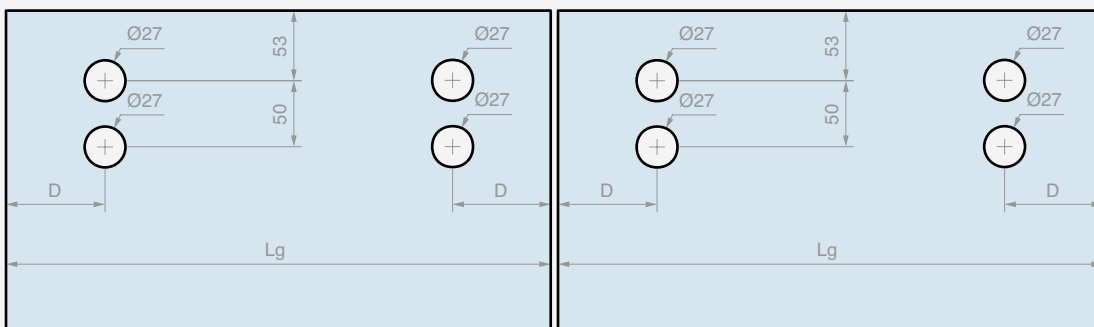
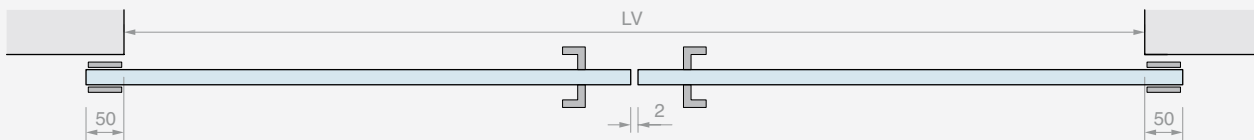
Track L = 4000 mm
8 (recommended) fixings (F)
C (recommended) = 530 mm



CALCULATION OF DIMENSIONS AND DRILLING OF GLASS PANELS



$L_g = LV + 80$
 $C \geq 55 \text{ mm}$
 $D \geq 75 \text{ mm}$



$L_g = (LV + 98)/2$
 $D \geq 75 \text{ mm}$





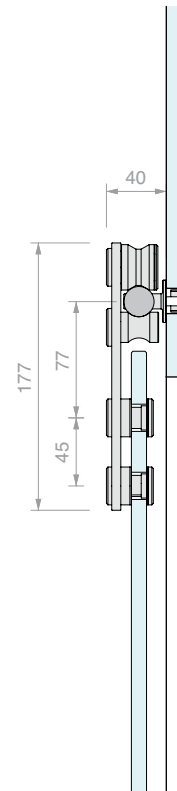
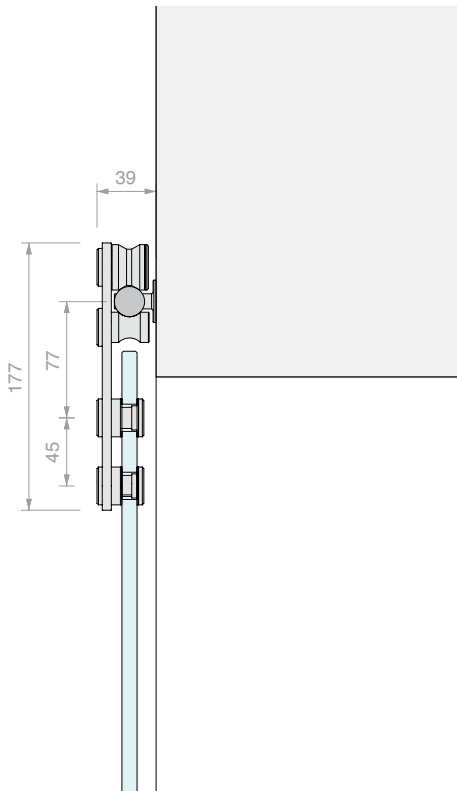
GIUMAX 3000

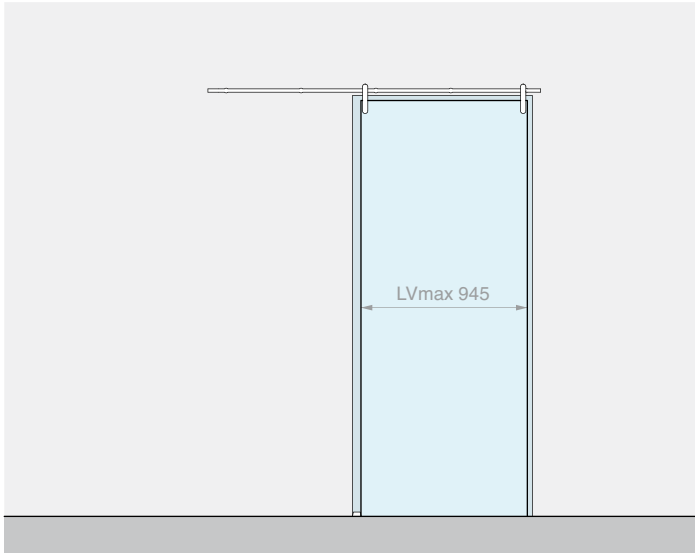
AISI 304 stainless steel sliding door system composed of a solid round load-bearing track, visible rollers and fixing accessories.

The roller is composed of a connecting bracket, an upper sliding wheel, an anti-derailment pin and two studs for fixing the door panel. The couple of rollers allows a sliding of a door panel with a thickness of 8 to 10.7 mm and a weight up to 80 Kg.

The roller technology allows the height of the studs and the wheel to be adjusted to ease the position of the door panel.

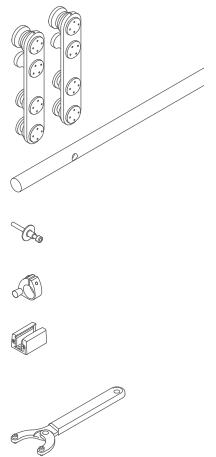
The fixing parts allow a frontal fitment of the track according to the type of installation: on the wall or glass partition.



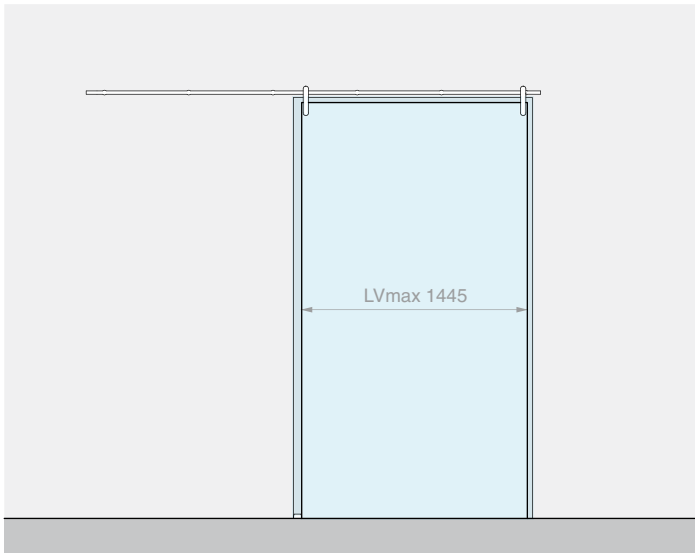


Kit comprising: Finish: /8

Art.	Description	Qty
GLM3000	Kit of 2 rollers	1 Pc
GLMTND20	Round track L = 2000 mm	1 Pc
GLMBRM	Wall fixing	5 Pcs
GLM3023	Oval end stop	2 Pcs
057.3030.071	Adjustable floor guide	1 Pc
Optional		
UT200	Pin wrench	1 Pc

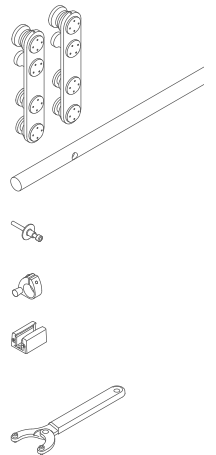


Art.	Description	For glass	Max. load	Qty
GLM30002MUR	Wall fixing sliding door kit	From 8 to 10.7 mm	80 kg	1 Pc

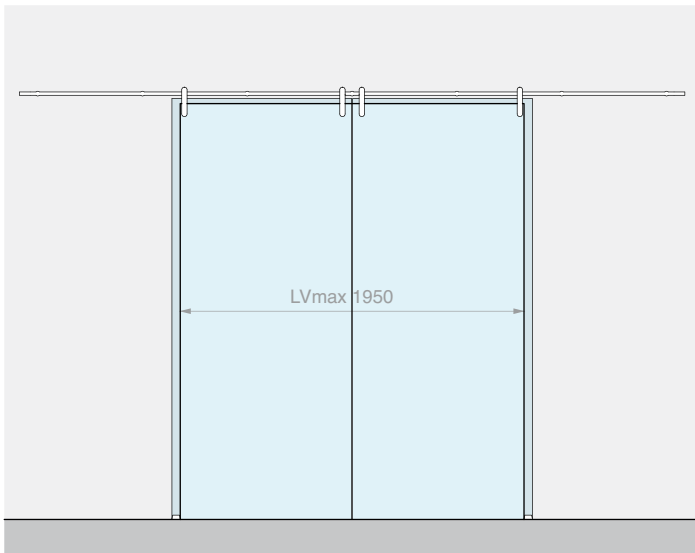


Kit comprising: Finish: /8

Art.	Description	Qty
GLM3000	Kit of 2 rollers	1 Pc
GLMTND30	Round track L = 3000 mm	1 Pc
GLMBRM	Wall fixing	6 Pcs
GLM3023	Oval end stop	2 Pcs
057.3030.071	Adjustable floor guide	1 Pc
Optional		
UT200	Pin wrench	1 Pc

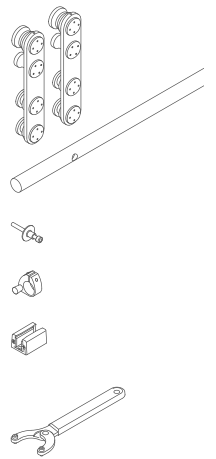


Art.	Description	For glass	Max. load	Qty
GLM30003MUR	Wall fixing sliding door kit	From 8 to 10.7 mm	80 kg	1 Pc

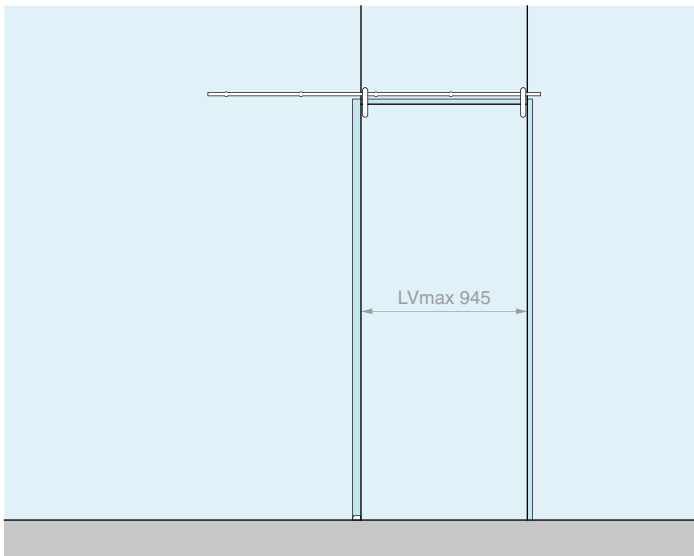


Kit comprising: Finish: /8

Art.	Description	Qty
GLM3000	Kit of 2 rollers	2 Pcs
GLMTND40	Round track L = 4000 mm	1 Pc
GLMBRM	Wall fixing	7 Pcs
GLM3023	Oval end stop	4 Pcs
057.3030.071	Adjustable floor guide	2 Pcs
Optional		
UT200	Pin wrench	1 Pc



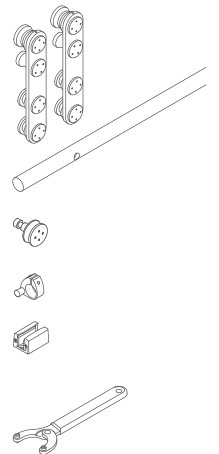
Art.	Description	For glass	Max. load	Qty
GLM30004MUR	Wall fixing sliding door kit for 2 door panels	From 8 to 10.7 mm	80 + 80 kg	1 Pc



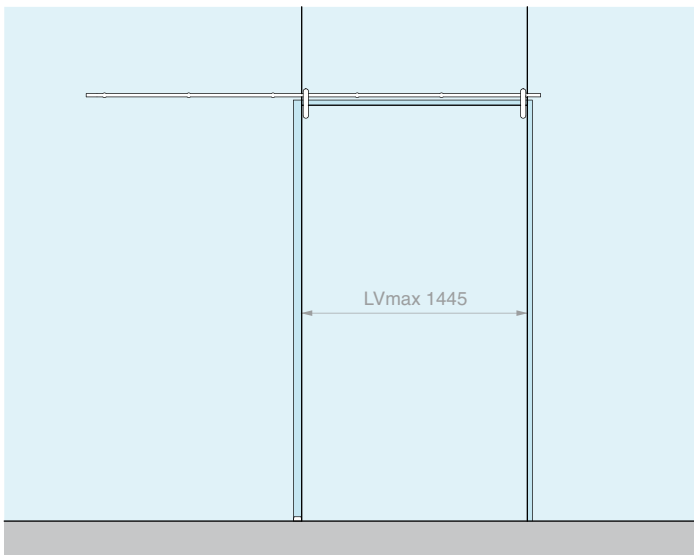
Kit comprising:

Finish: /8

Art.	Description	Qty
GLM3000	Kit of 2 rollers	1 Pc
GLMTND20	Round track L = 2000 mm	1 Pc
GLMBRV	Glass fixing	5 Pcs
GLM3023	Oval end stop	2 Pcs
057.3030.071	Adjustable floor guide	1 Pc
Optional		
UT200	Pin wrench	1 Pc



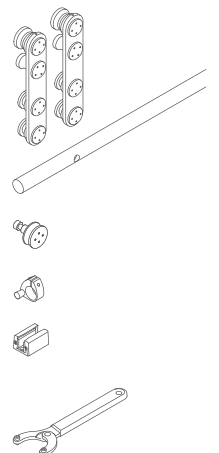
Art.	Description	For glass	Max. load	Qty
GLM30002VET	Glass fixing sliding door kit	From 8 to 10.7 mm	80 kg	1 Pc



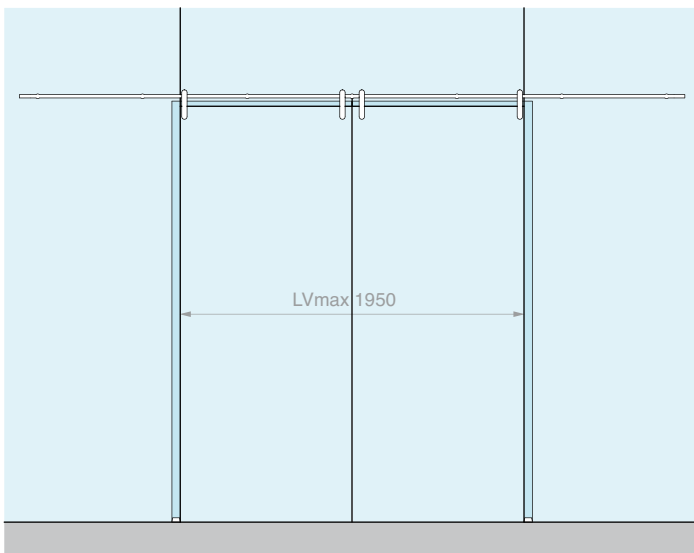
Kit comprising:

Finish: /8

Art.	Description	Qty
GLM3000	Kit of 2 rollers	1 Pc
GLMTND30	Round track L = 3000 mm	1 Pc
GLMBRV	Glass fixing	6 Pcs
GLM3023	Oval end stop	2 Pcs
057.3030.071	Adjustable floor guide	1 Pc
Optional		
UT200	Pin wrench	1 Pc



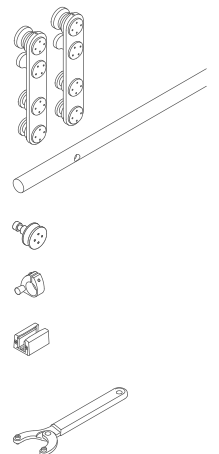
Art.	Description	For glass	Max. load	Qty
GLM30003VET	Glass fixing sliding door kit	From 8 to 10.7 mm	80 kg	1 Pc



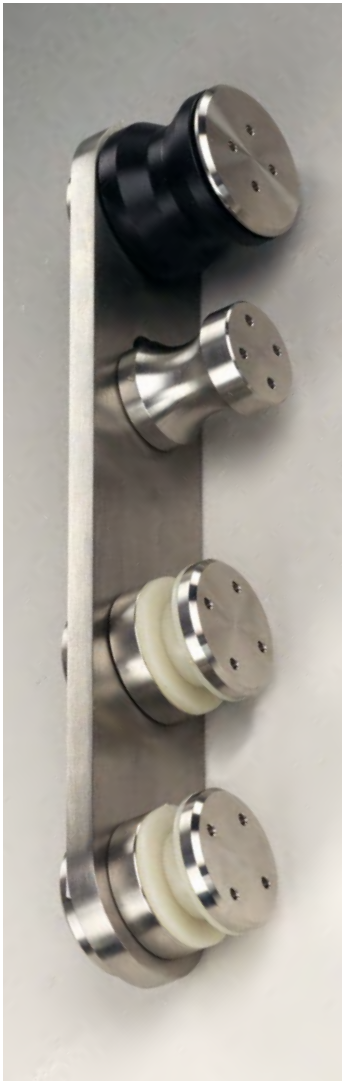
Kit comprising:

Finish: /8

Art.	Description	Qty
GLM3000	Kit of 2 rollers	2 Pcs
GLMTND40	Round track L = 4000 mm	1 Pc
GLMBRV	Glass fixing	7 Pcs
GLM3023	Oval end stop	4 Pcs
057.3030.071	Adjustable floor guide	2 Pcs
Optional		
UT200	Pin wrench	1 Pc

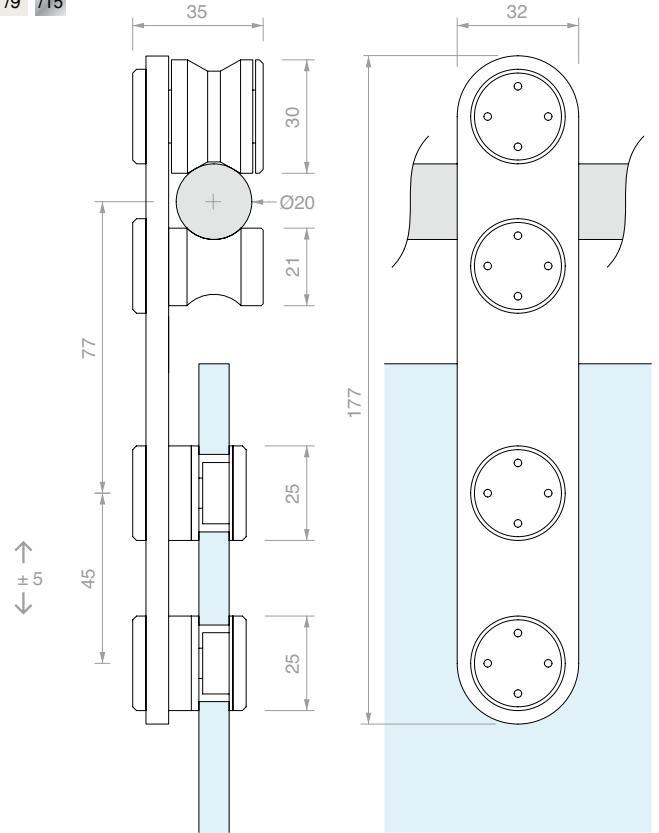


Art.	Description	For glass	Max. load	Qty
GLM30004VET	Glass fixing sliding door kit for 2 door panels	From 8 to 10.7 mm	80 + 80 kg	1 Pc



ROLLER

Material: AISI 304 stainless steel
 Recommended holes size Ø18 mm
 Recommended tool for tightening Art. UT200
 Finish: /9 /15

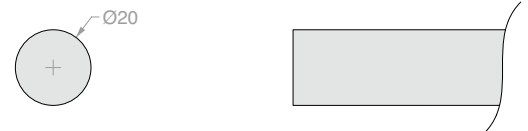


Art.	Description	For glass thickness	Qty.
GLM3050	Single roller	From 8 to 10.7 mm	1 Pc
GLM3000	Kit of 2 rollers	From 8 to 10.7 mm	1 Pc

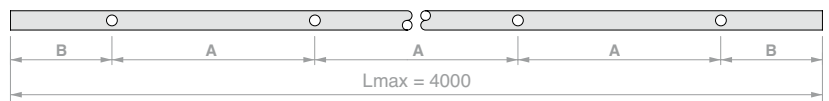


DRILLED SOLID ROUND TRACK

Material: AISI 304 stainless steel
 Finish: /8 /15



Track drilling pattern:

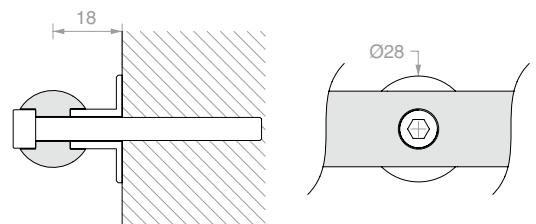


Art.	Length	No. holes	Dimensions	Qty
GLMTND20	2000 mm	5	A 450 mm B 100 mm	1 Pc
GLMTND30	3000 mm	6	A 560 mm B 100 mm	1 Pc
GLMTND40	4000 mm	7	A 633 mm B 100 mm	1 Pc
GLMBDLN15	cut to size	-	-	1 m
GLMFORO	Hole for GLMBDLN15	1	cut to size cut to size	1 Pc



WALL FIXING

Material: AISI 304 stainless steel
 Finish: /9 /15

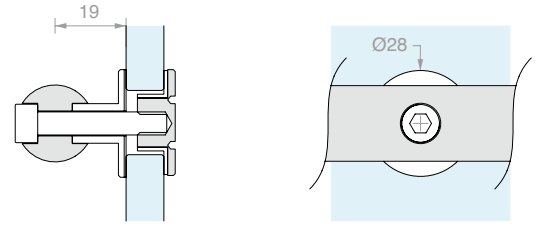


Art.	Description	Qty
GLMBRM	With M6 mm x 30 mm screws	1 Pc



GLASS FIXING

Material: AISI 304 stainless steel
 Recommended hole size Ø18 mm
 Recommended tool for tightening Art. UT200
 Finish: /9 /15

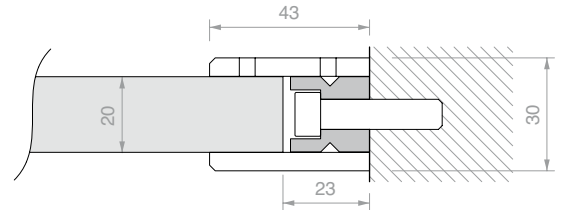


Art.	Description	For glass	Qty
GLMBRV	With M6 mm x 30 mm screws	From 8 to 12 mm	1 Pc



SIDE WALL FIXING

Material: AISI 304 stainless steel
 Finish: /9 /15

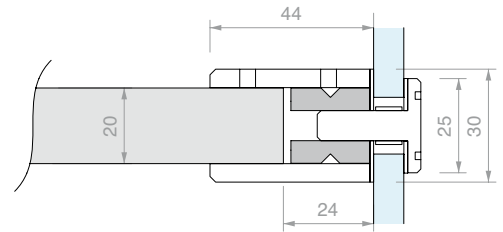


Art.	Qty
GLMDSTP	1 Pc



SIDE GLASS FIXING

Material: AISI 304 stainless steel
 Recommended hole size Ø15 mm
 Recommended tool for tightening Art. UT200
 Finish: /9 /15

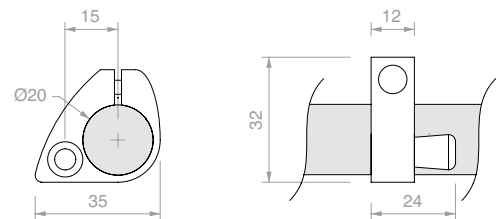


Art.	For glass	Qty
GLMDSTV	From 8 to 15 mm	1 Pc



OVAL END STOP WITH RUBBER BUMPER

Material: AISI 304 stainless steel
 Finish: /9 /15

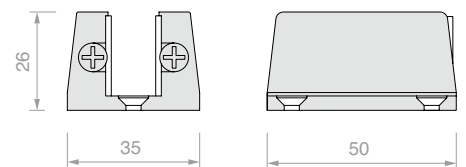


Art.	Qty
GLM3023	1 Pc



ADJUSTABLE FLOOR GUIDE

Material: aluminium
 Finish: /88 /91 /97 /R2



Art.	For glass	Qty
057.3030.071	From 6 to 12.7 mm	1 Pc



PIN WRENCH

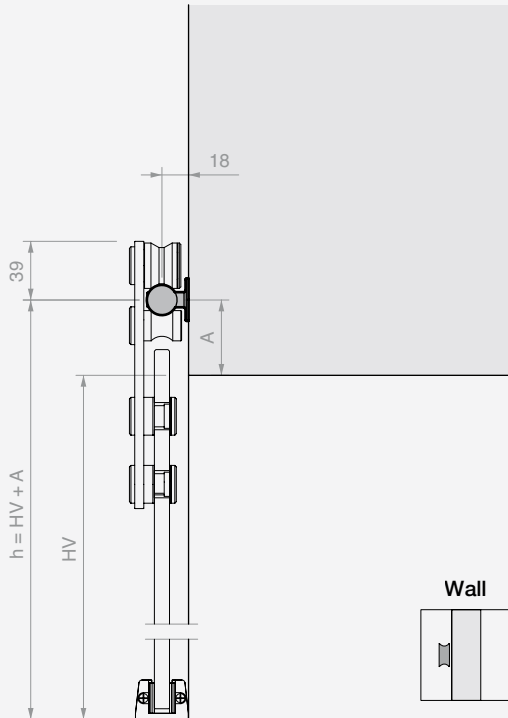
Material: iron body, steel pins
 The compass opening allows to operate with wide radiuses, for pair of holes with a centre distance between 9 mm and 55 mm

Art.	Description	Qty
UT200	Pin wrench with Ø1.9 mm pins	1 Pc
UTC200R	2 replacements pins Ø1.9 mm	1 Pc

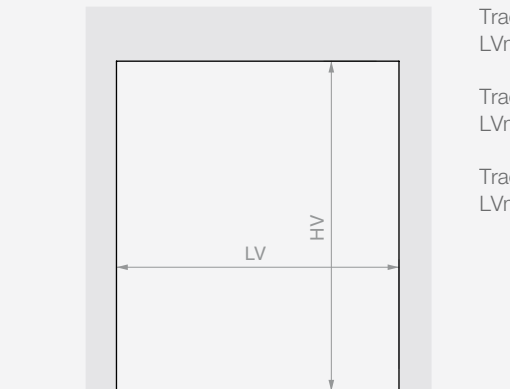
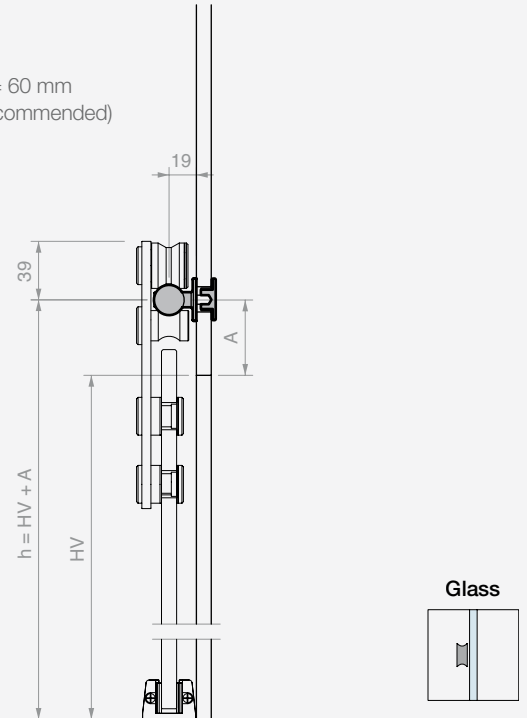


TRACK FIXING

A = 60 mm
(recommended)



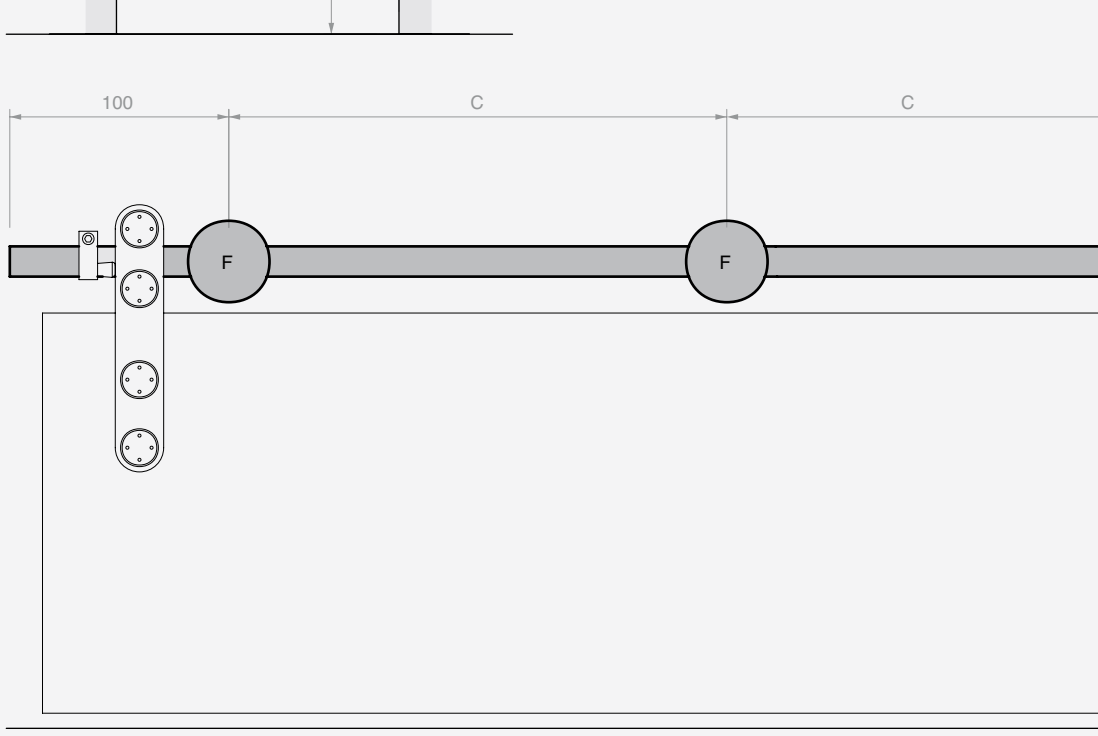
A = 60 mm
(recommended)



Track L = 2000 mm
LVmax 945 mm

Track L = 3000 mm
LVmax 1445 mm

Track L = 4000 mm
LVmax 1950 mm



Track L = 2000 mm
5 fixings (F)
C = 450 mm

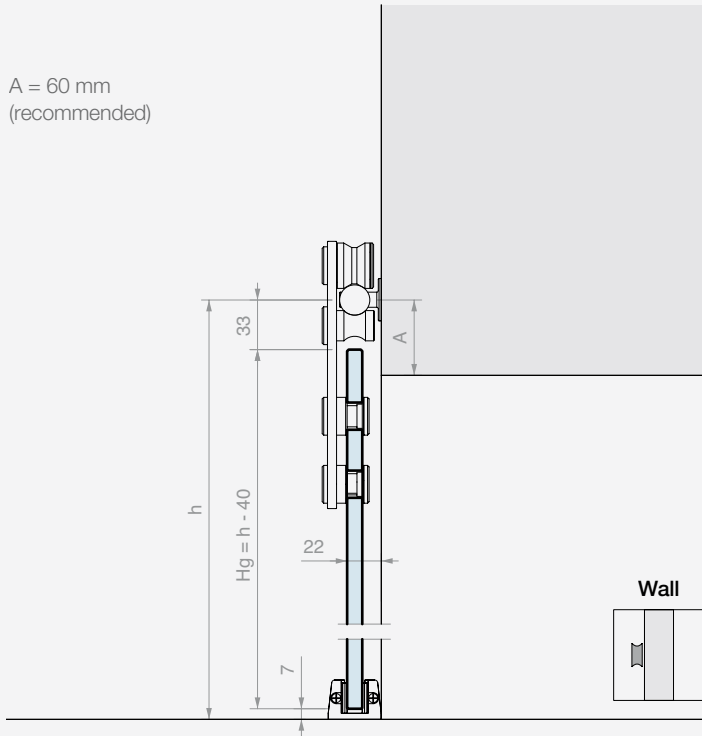
Track L = 3000 mm
6 fixings (F)
C = 560 mm

Track L = 4000 mm
7 fixings (F)
C = 633 mm

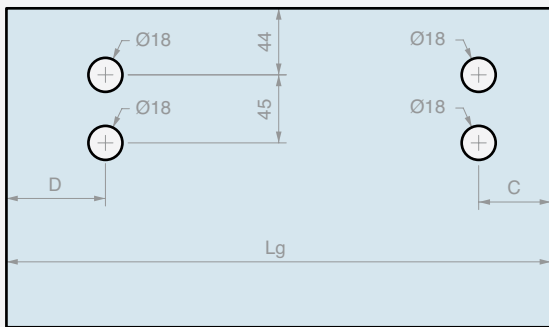
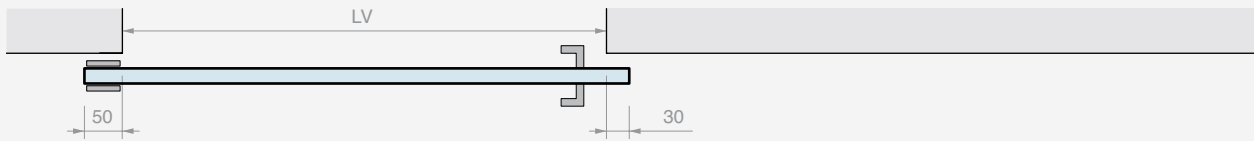
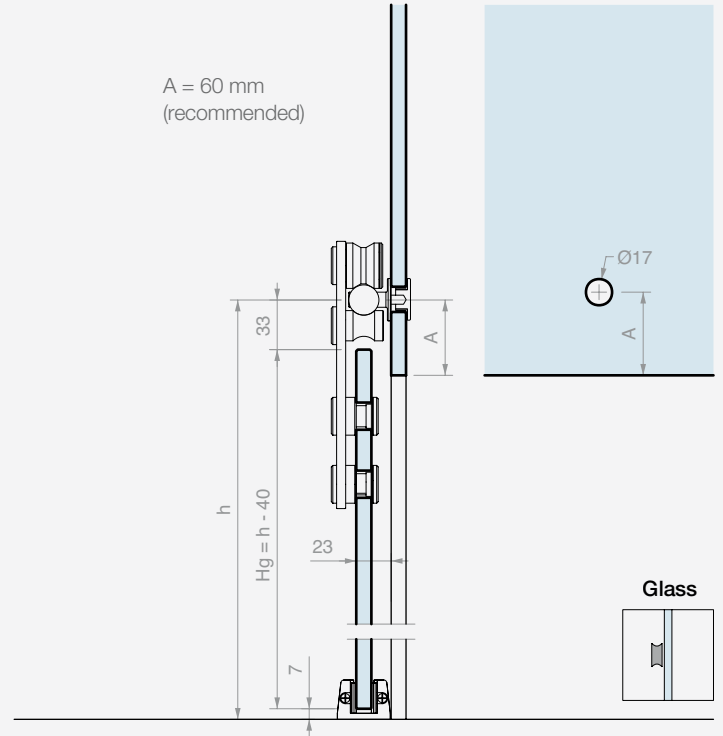


CALCULATION OF DIMENSIONS AND DRILLING OF GLASS PANELS

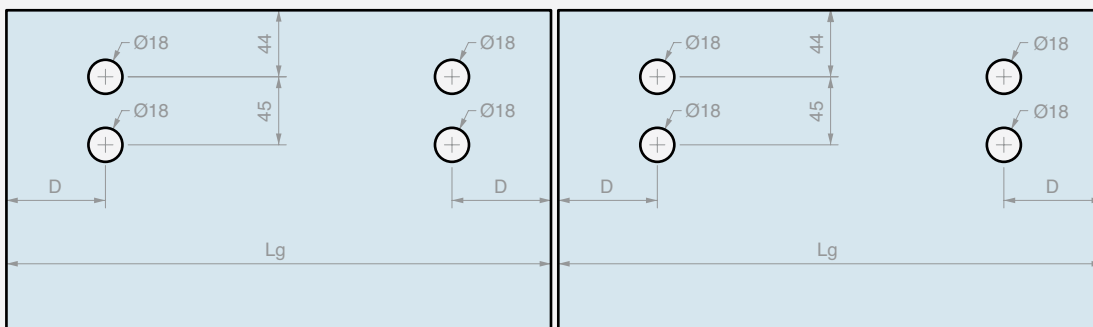
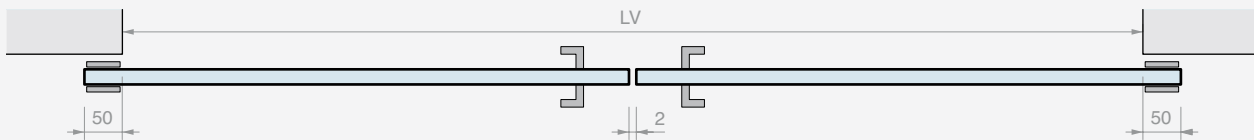
A = 60 mm
(recommended)



A = 60 mm
(recommended)



$L_g = LV + 80$
 $C \geq 55 \text{ mm}$
 $D \geq 75 \text{ mm}$



$L_g = (LV + 98)/2$
 $D \geq 75 \text{ mm}$





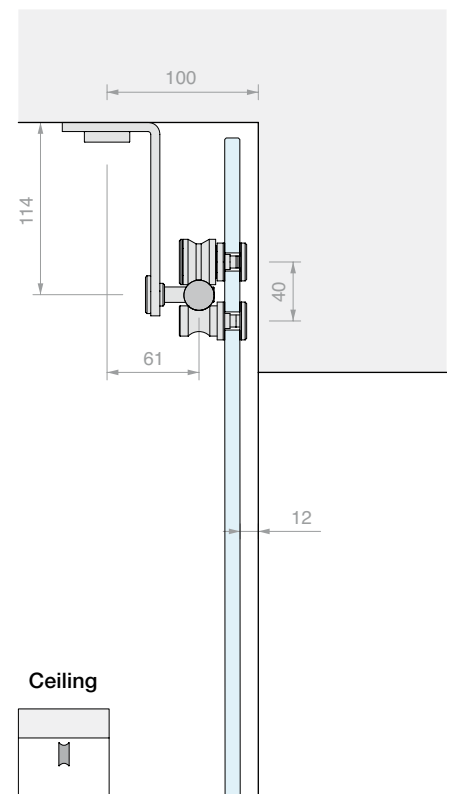
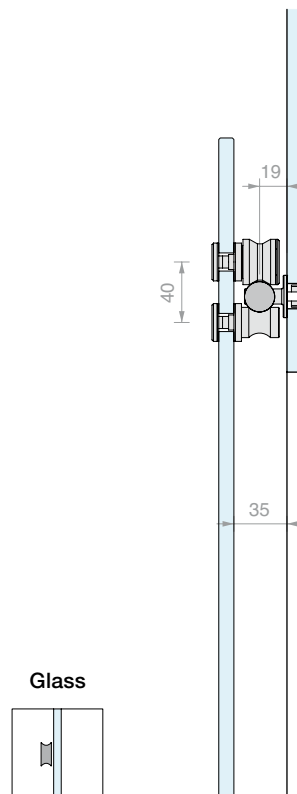
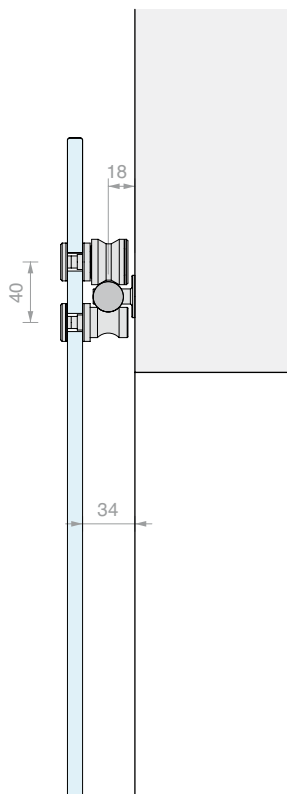
GIUMAX 3200

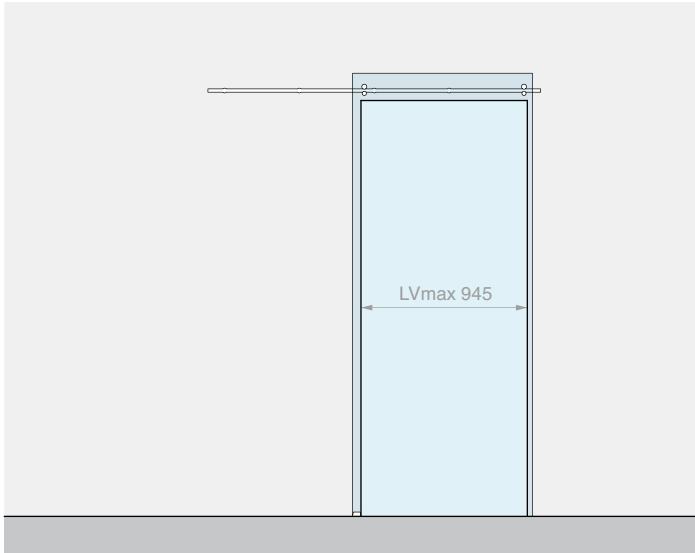
AISI 304 stainless steel sliding door system composed of a round load-bearing track, visible wheels and fixing accessories.

The door panel is fitted on the track using a wheel and is secured by an anti-derailment pin. The couple of wheels allows a sliding of a door panel with a wide range of thickness, from 6 to 12.7 mm and a weight up to 80 kg.

The system seeks to maximum transparency by using small accessories and a minimal design.

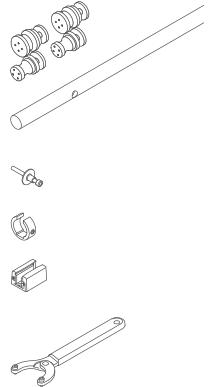
The fixing parts allow a customised fitment of the track according to the type of installation: on the wall, glass partition or ceiling.



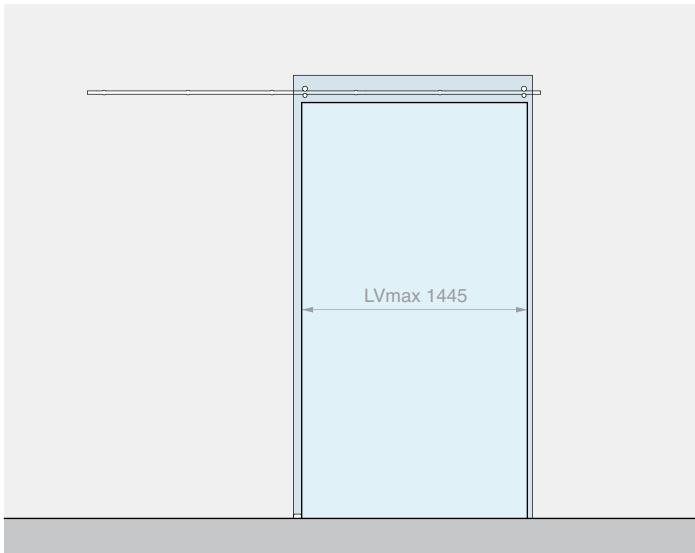


Kit comprising: Finish: /8

Art.	Description	Qty
GLM7000	Kit of 2 wheels + 2 pins	1 Pc
GLMTND20	Round track L = 2000 mm	1 Pc
GLMBRM	Wall fixing	5 Pcs
GLM3020	End stop	2 Pcs
057.3030.071	Adjustable floor guide	1 Pc
Optional		
UT200	Pin wrench	1 Pc

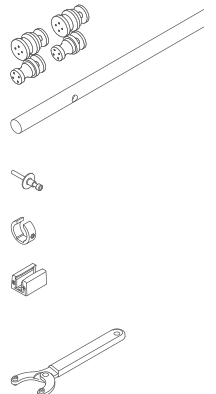


Art.	Description	For glass	Max. load	Qty
GLM32002PAR	Wall fixing sliding door kit	From 6 to 12.7 mm	80 kg	1 Pc

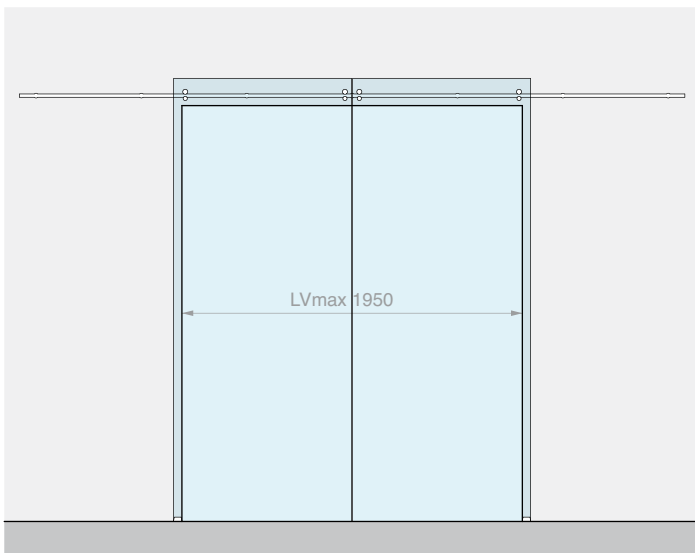


Kit comprising: Finish: /8

Art.	Description	Qty
GLM7000	Kit of 2 wheels + 2 pins	1 Pc
GLMTND30	Round track L = 3000 mm	1 Pc
GLMBRM	Wall fixing	6 Pcs
GLM3020	End stop	2 Pcs
057.3030.071	Adjustable floor guide	1 Pc
Optional		
UT200	Pin wrench	1 Pc

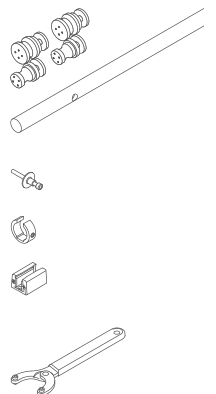


Art.	Description	For glass	Max. load	Qty
GLM32003PAR	Wall fixing sliding door kit	From 6 to 12.7 mm	80 kg	1 Pc

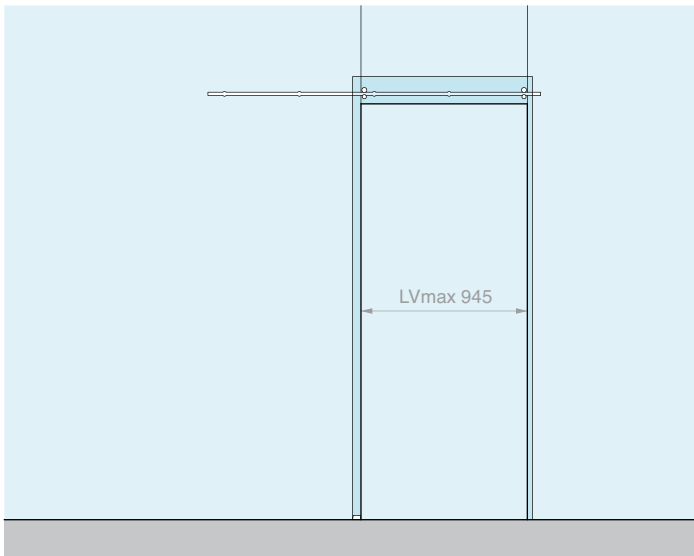


Kit comprising: Finish: /8

Art.	Description	Qty
GLM7000	Kit of 2 wheels + 2 pins	2 Pcs
GLMTND40	Round track L = 4000 mm	1 Pc
GLMBRM	Wall fixing	7 Pcs
GLM3020	End stop	4 Pcs
057.3030.071	Adjustable floor guide	2 Pcs
Optional		
UT200	Pin wrench	1 Pc



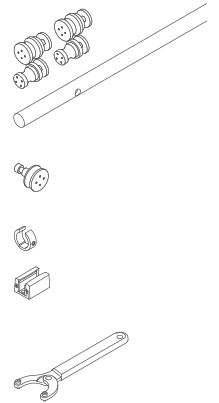
Art.	Description	For glass	Max. load	Qty
GLM32004PAR	Wall fixing sliding door kit for 2 door panels	From 6 to 12.7 mm	80 + 80 kg	1 Pc



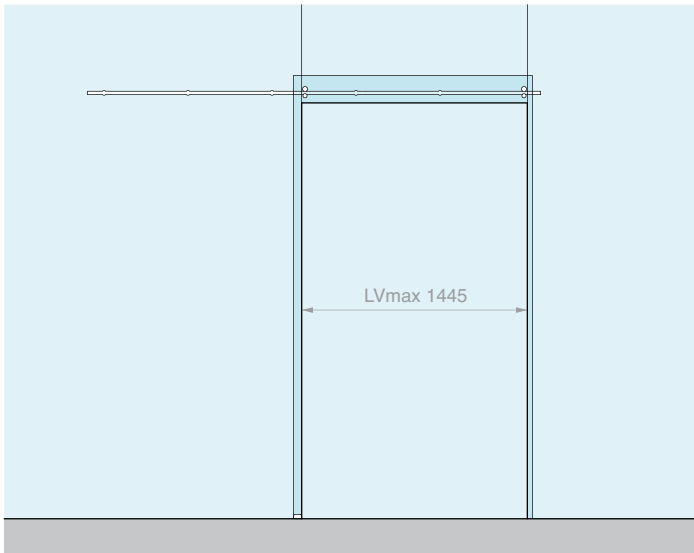
Kit comprising:

Finish: /8

Art.	Description	Qty
GLM7000	Kit of 2 wheels + 2 pins	1 Pc
GLMTND20	Round track L = 2000 mm	1 Pc
GLMBRV	Glass fixing	5 Pcs
GLM3020	End stop	2 Pcs
057.3030.071	Adjustable floor guide	1 Pc
Optional		
UT200	Pin wrench	1 Pc



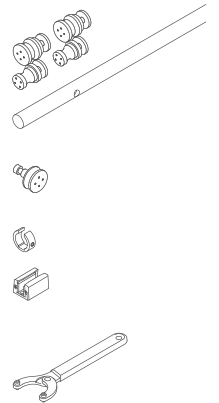
Art.	Description	For glass	Max. load	Qty
GLM32002VET	Glass fixing sliding door kit	From 6 to 12.7 mm	80 kg	1 Pc



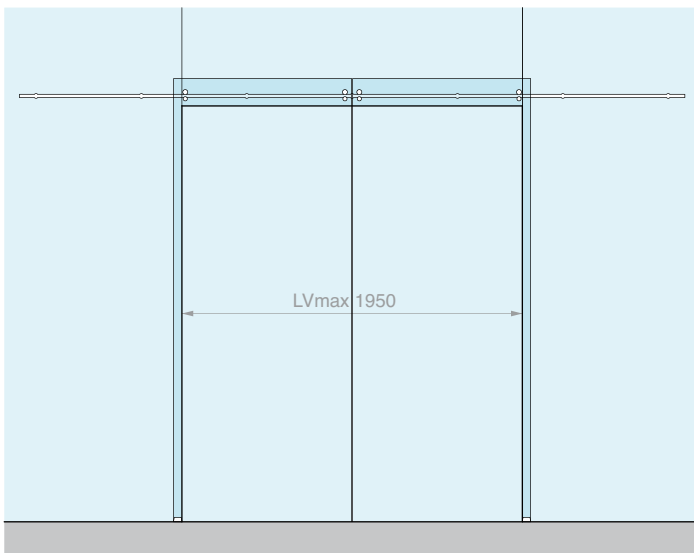
Kit comprising:

Finish: /8

Art.	Description	Qty
GLM7000	Kit of 2 wheels + 2 pins	1 Pc
GLMTND30	Round track L = 3000 mm	1 Pc
GLMBRV	Glass fixing	6 Pcs
GLM3020	End stop	2 Pcs
057.3030.071	Adjustable floor guide	1 Pc
Optional		
UT200	Pin wrench	1 Pc



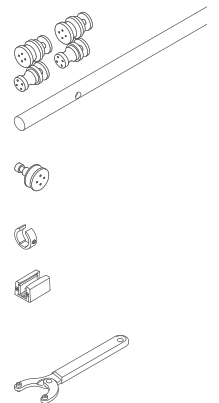
Art.	Description	For glass	Max. load	Qty
GLM32003VET	Glass fixing sliding door kit	From 6 to 12.7 mm	80 kg	1 Pc



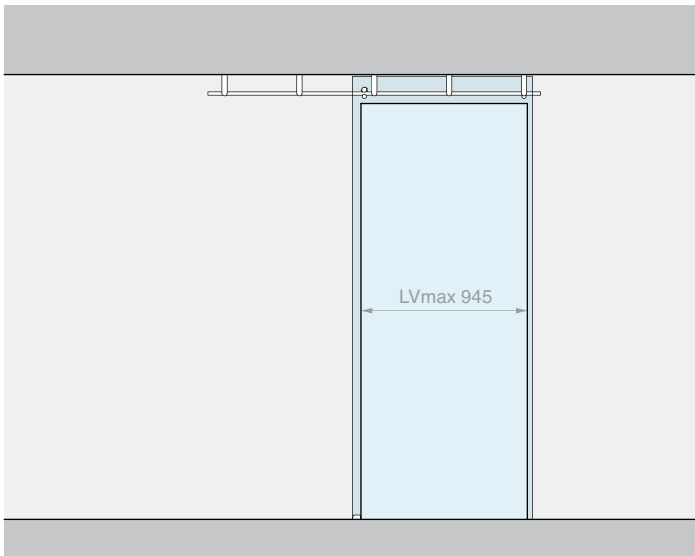
Kit comprising:

Finish: /8

Art.	Description	Qty
GLM7000	Kit of 2 wheels + 2 pins	2 Pcs
GLMTND40	Round track L = 4000 mm	1 Pc
GLMBRV	Glass fixing	7 Pcs
GLM3020	End stop	4 Pcs
057.3030.071	Adjustable floor guide	2 Pcs
Optional		
UT200	Pin wrench	1 Pc

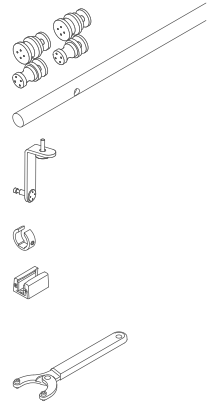


Art.	Description	For glass	Max. load	Qty
GLM32004VET	Glass fixing sliding door kit for 2 door panels	From 6 to 12.7 mm	80 + 80 kg	1 Pc

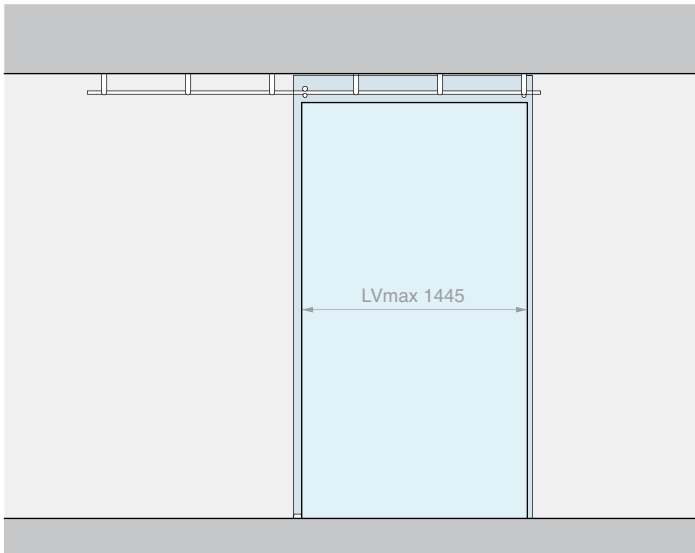


Kit comprising: Finish: /8

Art.	Description	Qty
GLM7000	Kit of 2 wheels + 2 pins	1 Pc
GLMTND20	Round track L = 2000 mm	1 Pc
GLMSST	Ceiling fixing	5 Pcs
GLM3020	End stop	2 Pcs
057.3030.071	Adjustable floor guide	1 Pc
Optional		
UT200	Pin wrench	1 Pc

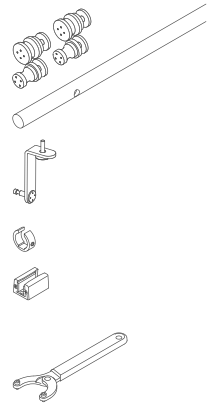


Art.	Description	For glass	Max. load	Qty
GLM32002PLA	Ceiling fixing sliding door kit	From 6 to 12.7 mm	80 kg	1 Pc

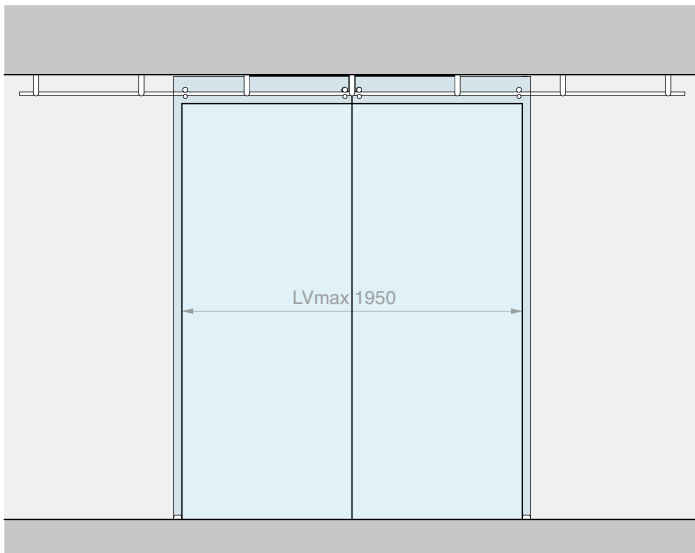


Kit comprising: Finish: /8

Art.	Description	Qty
GLM7000	Kit of 2 wheels + 2 pins	1 Pc
GLMTND30	Round track L = 3000 mm	1 Pc
GLMSST	Ceiling fixing	6 Pcs
GLM3020	End stop	2 Pcs
057.3030.071	Adjustable floor guide	1 Pc
Optional		
UT200	Pin wrench	1 Pc

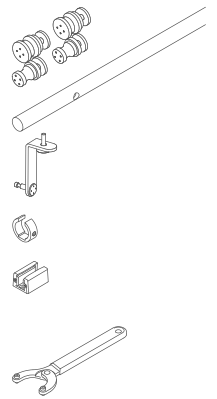


Art.	Description	For glass	Max. load	Qty
GLM32003PLA	Ceiling fixing sliding door kit	From 6 to 12.7 mm	80 kg	1 Pc



Kit comprising: Finish: /8

Art.	Description	Qty
GLM7000	Kit of 2 wheels + 2 pins	2 Pcs
GLMTND40	Round track L = 4000 mm	1 Pc
GLMSST	Ceiling fixing	7 Pcs
GLM3020	End stop	4 Pcs
057.3030.071	Adjustable floor guide	2 Pcs
Optional		
UT200	Pin wrench	1 Pc

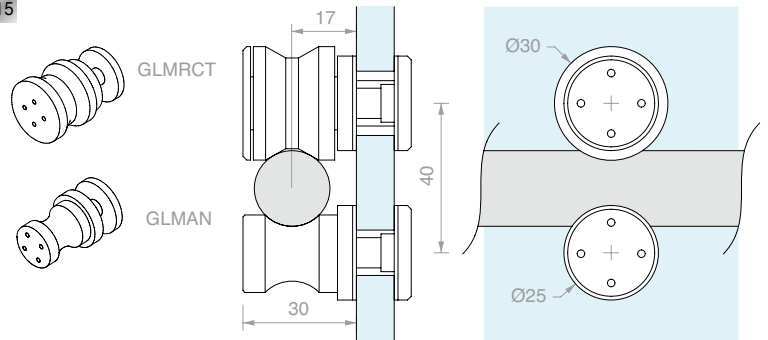


Art.	Description	For glass	Max. load	Qty
GLM32004PLA	Ceiling fixing sliding door kit for 2 door panels	From 6 to 12.7 mm	80 + 80 kg	1 Pc



WHEELS

Material: AISI 304 stainless steel
 Recommended holes size GLMRCT Ø12 mm
 Recommended holes size GLMAN Ø17 mm
 Recommended tool for tightening Art. UT200
 Finish: /9 /15

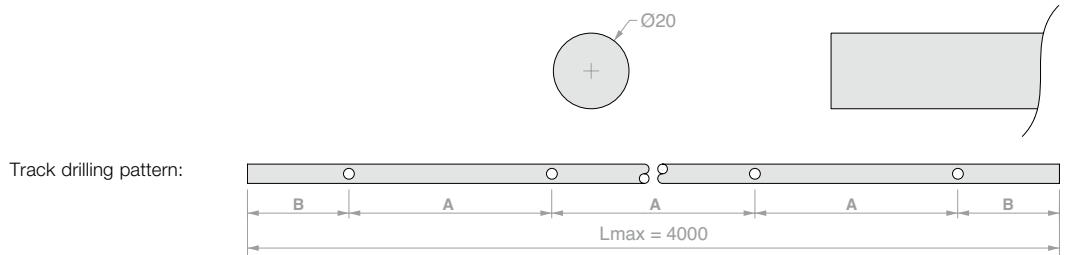


Art.	Description	For glass thickness	Qty.
GLMRCT	Sliding wheel	From 6 to 12.7 mm	1 Pc
GLMAN	Anti-derailment pin	From 6 to 12.7 mm	1 Pc
GLM7000	Kit of 2 wheels + 2 pins	From 6 to 12.7 mm	1 Pc



DRILLED SOLID ROUND TRACK

Material: AISI 304 stainless steel
 Finish: /8 /15

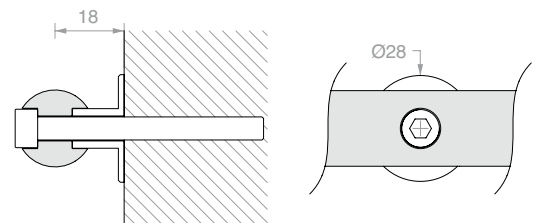


Art.	Length	No. holes	Dimensions	Qty
GLMTND20	2000 mm	5	A 450 mm B 100 mm	1 Pc
GLMTND30	3000 mm	6	A 560 mm B 100 mm	1 Pc
GLMTND40	4000 mm	7	A 633 mm B 100 mm	1 Pc
GLMBDLN15	cut to size	-	- -	1 m
GLMFORO	Hole for GLMBDLN15	1	cut to size cut to size	1 Pc



WALL FIXING

Material: AISI 304 stainless steel
 Finish: /9 /15

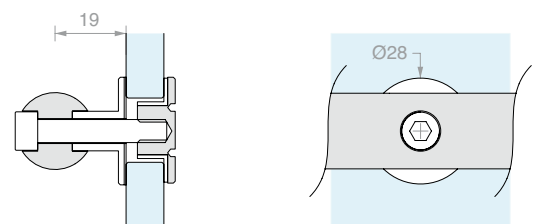


Art.	Description	Qty
GLMBRM	With M6 mm x 30 mm screws	1 Pc



GLASS FIXING

Material: AISI 304 stainless steel
 Recommended hole size Ø18 mm
 Recommended tool for tightening Art. UT200
 Finish: /9 /15



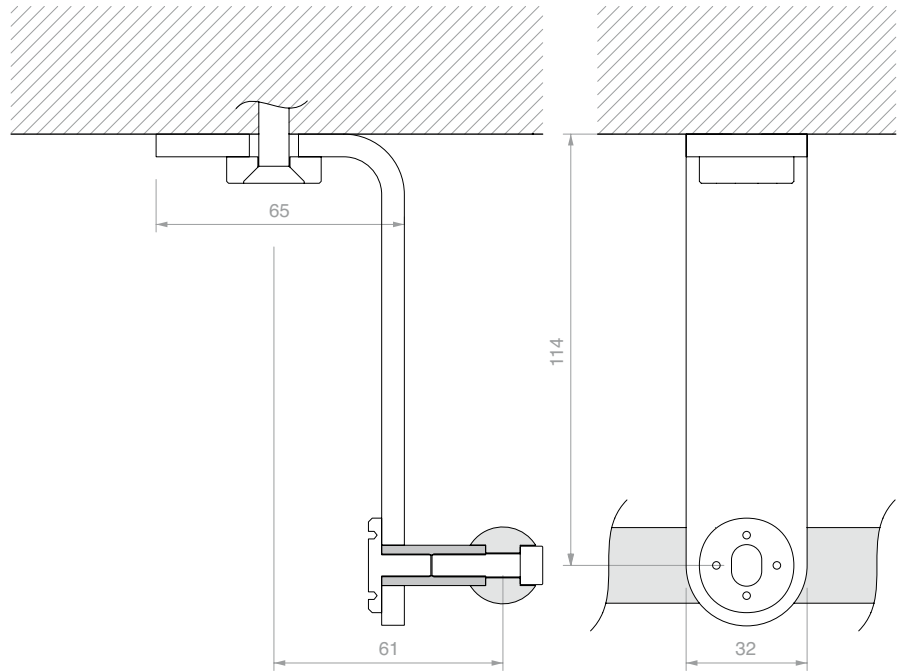
Art.	Description	For glass	Qty
GLMBRV	With M6 mm x 30 mm screws	From 8 to 12 mm	1 Pc



CEILING FIXING

Material: AISI 304 stainless steel

Finish: /9 /15



Art. **GLMSST**

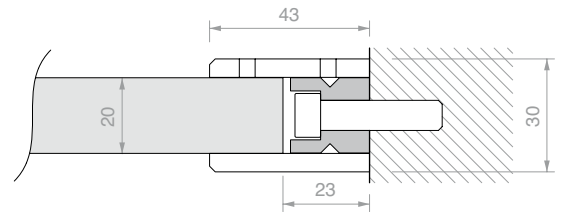
Qty
1 Pc



SIDE WALL FIXING

Material: AISI 304 stainless steel

Finish: /9 /15



Art. **GLMDSTP**

Qty
1 Pc



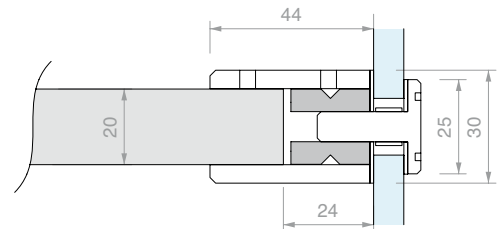
SIDE GLASS FIXING

Material: AISI 304 stainless steel

Recommended hole size Ø15 mm

Recommended tool for tightening Art. UT200

Finish: /9 /15



Art. **GLMDSTV** For glass
From 8 to 15 mm

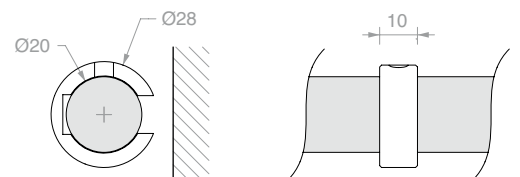
Qty
1 Pc



END STOP

Material: AISI 304 stainless steel

Finish: /9 /15



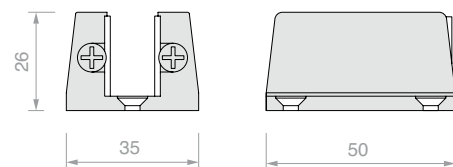
Art. **GLM3020**

Qty
1 Pc



ADJUSTABLE FLOOR GUIDE

Material: aluminium
 Finish: /88 /91 /97 /R2



Art.	For glass	Qty
057.3030.071	From 6 to 12.7 mm	1 Pc



PIN WRENCH

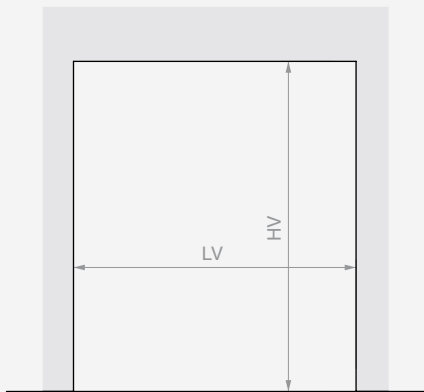
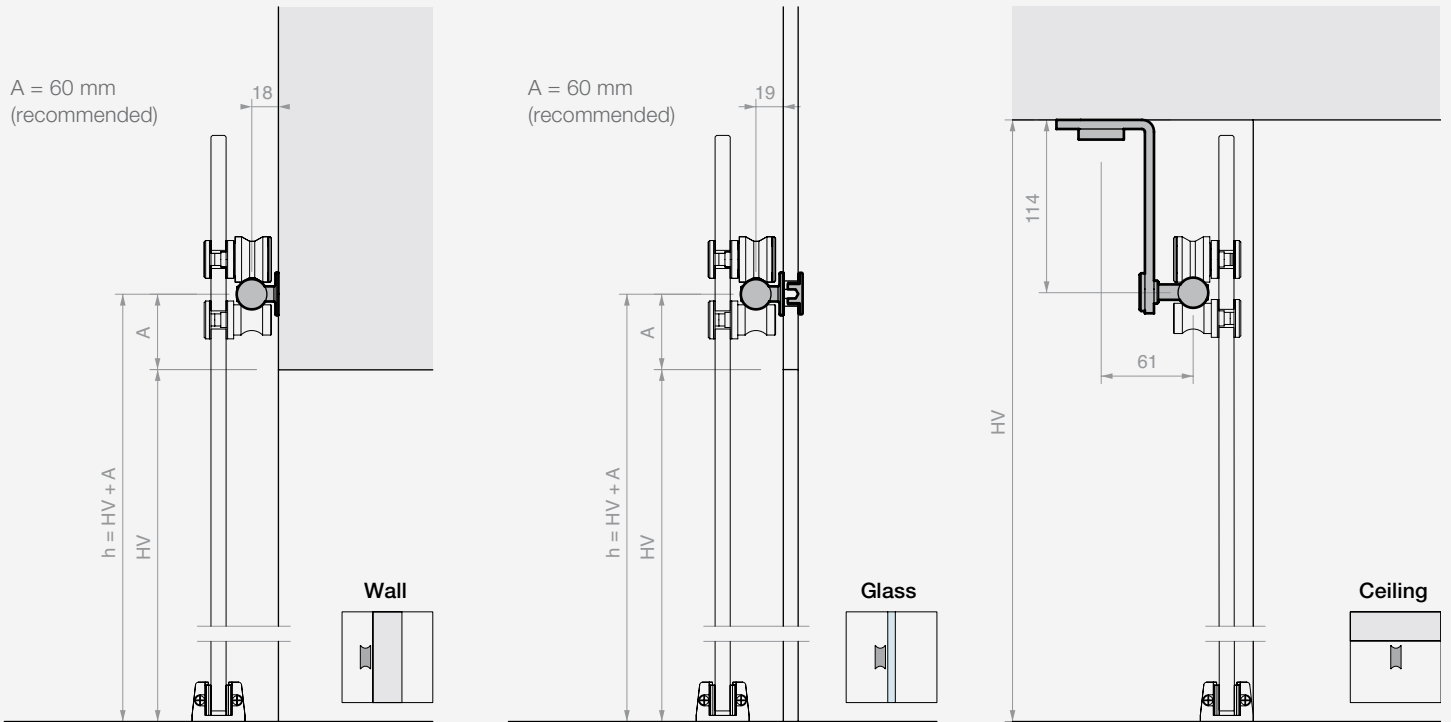
Material: iron body, steel pins
 The compass opening allows to operate with wide radiuses, for pair of holes with a centre distance between 9 mm and 55 mm

Art.	Description	Qty
UT200	Pin wrench with Ø1.9 mm pins	1 Pc
UTC200R	2 replacements pins Ø1.9 mm	1 Pc





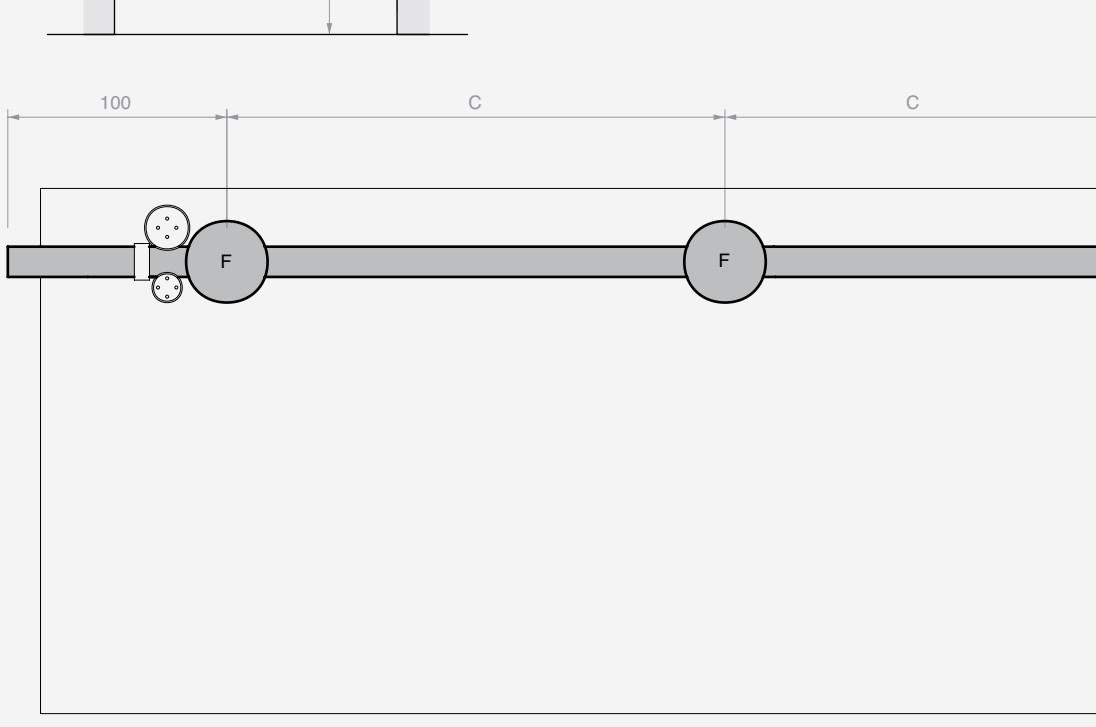
TRACK FIXING



Track L = 2000 mm
LVmax 945 mm

Track L = 3000 mm
LVmax 1445 mm

Track L = 4000 mm
LVmax 1950 mm



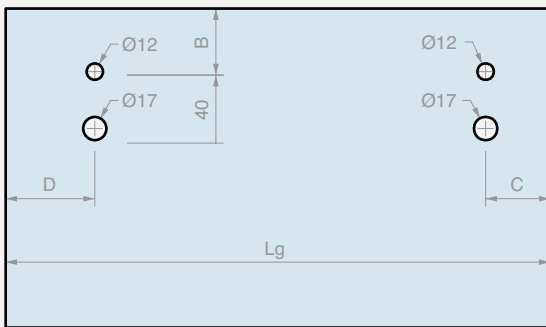
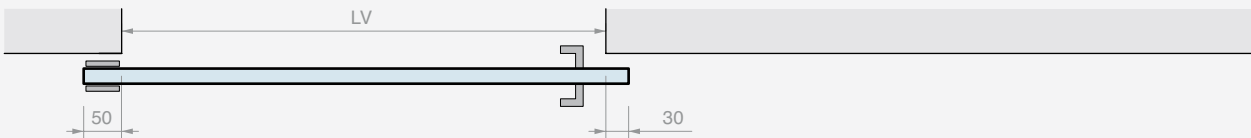
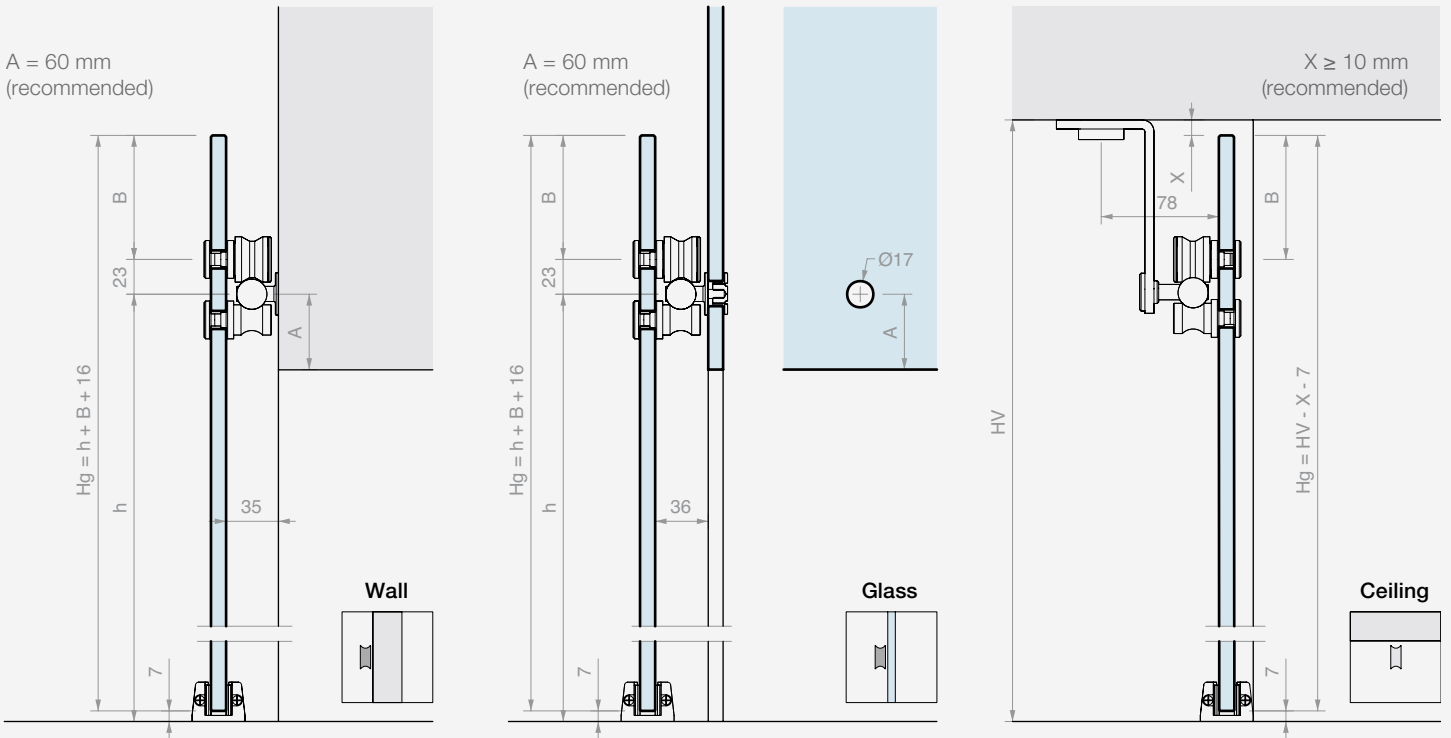
Track L = 2000 mm
5 fixings (F)
C = 450 mm

Track L = 3000 mm
6 fixings (F)
C = 560 mm

Track L = 4000 mm
7 fixings (F)
C = 633 mm



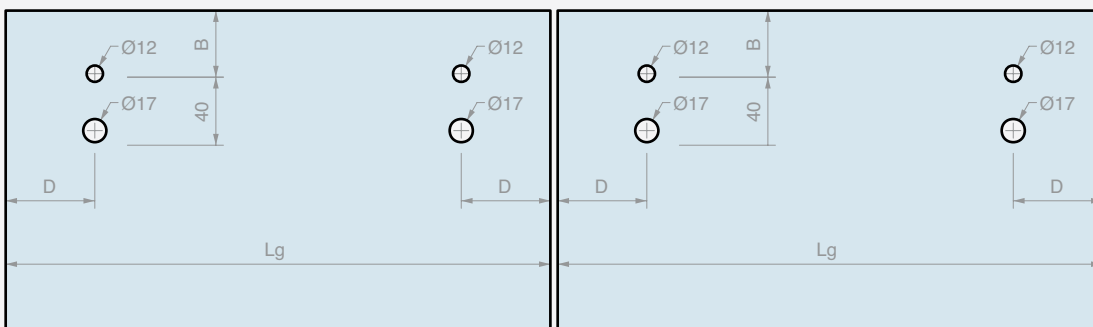
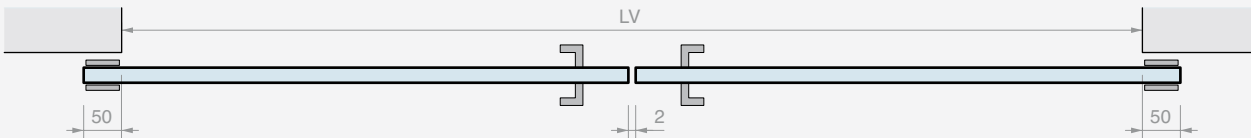
CALCULATION OF DIMENSIONS AND DRILLING OF GLASS PANELS



$L_g = LV + 80$
 $C \geq 50 \text{ mm}$
 $D \geq 70 \text{ mm}$

WALL/GLASS FIXING
 $B \geq 30 \text{ mm}$ (recommended)

CEILING FIXING
 $B = 92 \text{ mm} - X$



$L_g = (LV + 98)/2$
 $D \geq 70 \text{ mm}$

FIXING WALL/GLASS
 $B \geq 30 \text{ mm}$ (recommended)

FIXING CEILING
 $B = 92 \text{ mm} - X$





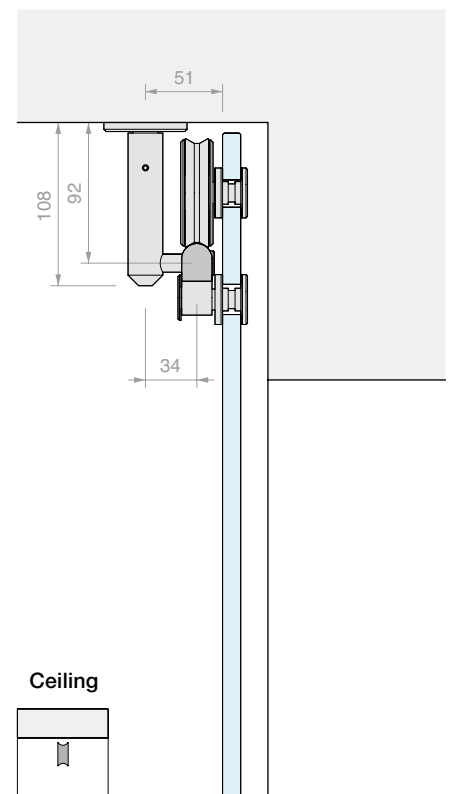
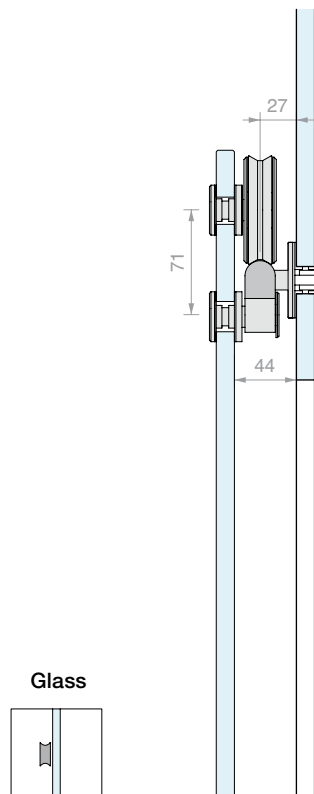
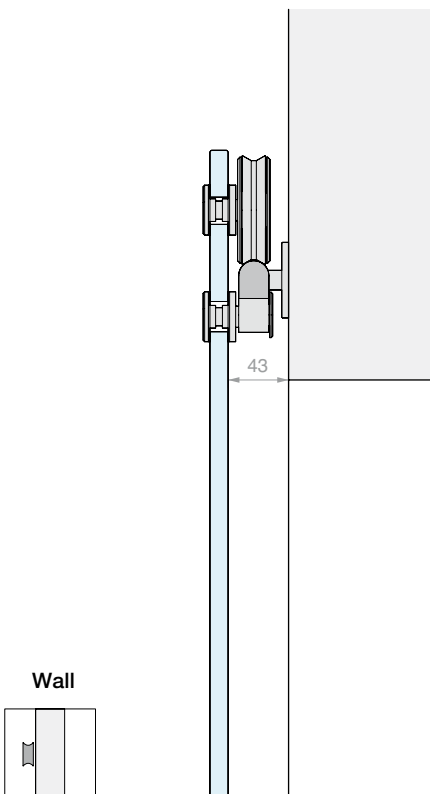
GIUMAX 8500

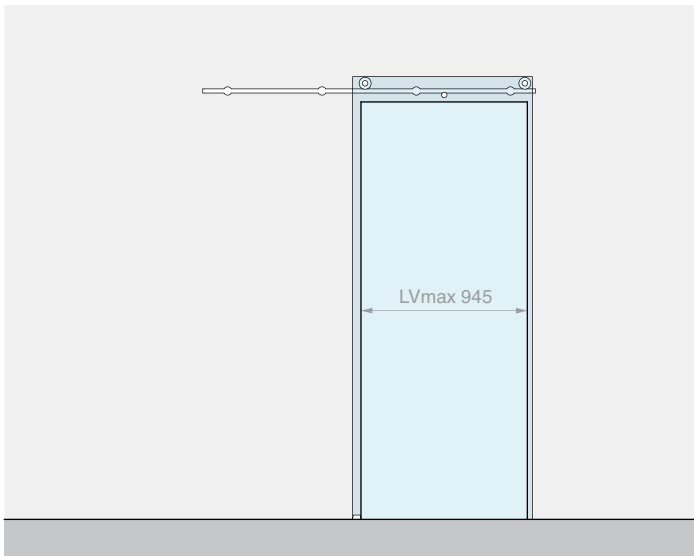
AISI 304 stainless steel sliding door system composed of a solid half-round track, visible wheels and fixing accessories.

The door panel is fitted on the track using a wheel and is secured under the track by an anti-derailment wheel. The couple of wheels allows a sliding of a door panel with a big thickness, from 12 to 17.5 mm and a heavy weight, up to 150 kg.

The system seeks to maximum transparency, combined with a high-tech design of the wheel and the carefully crafted shape of the track.

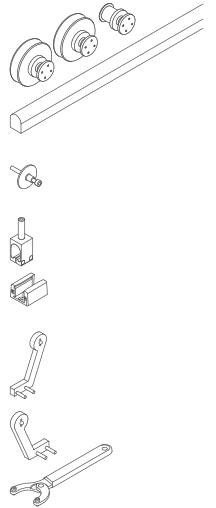
The fixing parts allow a customised fitment of the track according to the type of installation: on the wall, glass partition or ceiling.



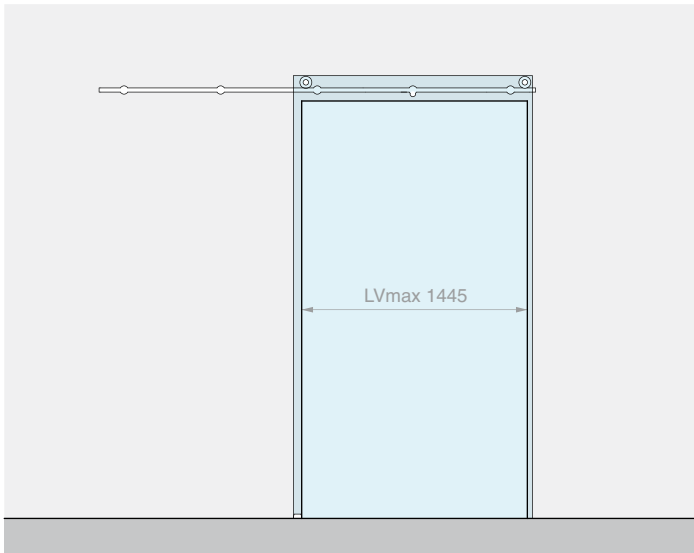


Kit comprising: Finish: /9

Art.	Description	Qty
GLM8500	Kit of 3 wheels	1 Pc
GLMBST200	Half round track L = 2000 mm	1 Pc
GLMATM	Wall fixing	4 Pcs
GLMFERM	End stop	2 Pcs
GLMGREG	Adjustable floor guide	1 Pc
Optional		
GLMSTOPSX	Left locking bracket	1 Pc
GLMSTOPDX	Right locking bracket	1 Pc
UT250	Pin wrench	1 Pc

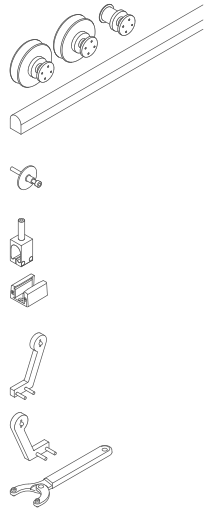


Art.	Description	For glass	Max. load	Qty
GM85002MUR	Wall fixing sliding door kit	From 12 to 17.5 mm	150 kg	1 Pc

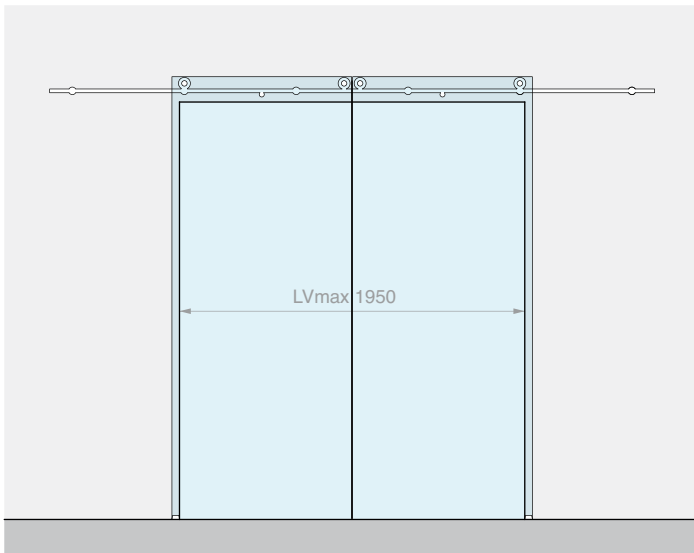


Kit comprising: Finish: /9

Art.	Description	Qty
GLM8500	Kit of 3 wheels	1 Pc
GLMBST300	Half round track L = 3000 mm	1 Pc
GLMATM	Wall fixing	5 Pcs
GLMFERM	End stop	2 Pcs
GLMGREG	Adjustable floor guide	1 Pc
Optional		
GLMSTOPSX	Left locking bracket	1 Pc
GLMSTOPDX	Right locking bracket	1 Pc
UT250	Pin wrench	1 Pc

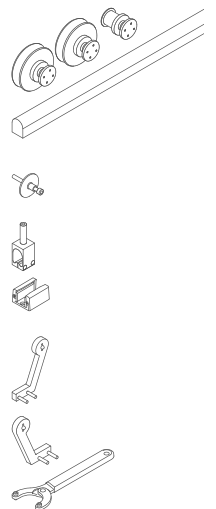


Art.	Description	For glass	Max. load	Qty
GM85003MUR	Wall fixing sliding door kit	From 12 to 17.5 mm	150 kg	1 Pc

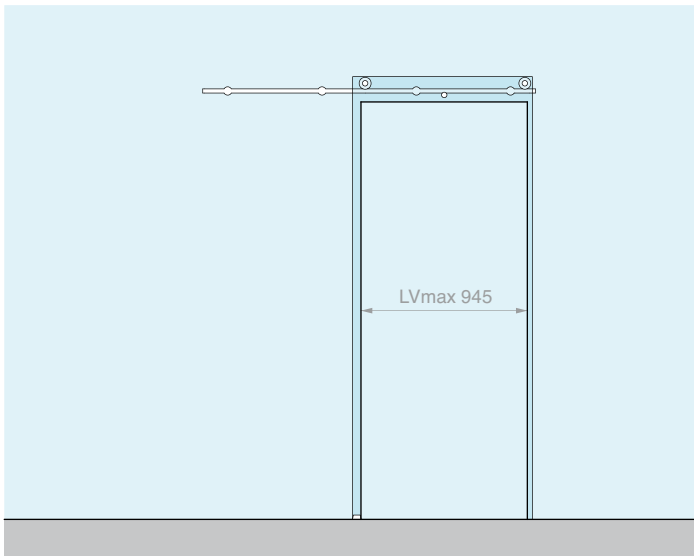


Kit comprising: Finish: /9

Art.	Description	Qty
GLM8500	Kit of 3 wheels	2 Pcs
GLMBST400	Half round track L = 4000 mm	1 Pc
GLMATM	Wall fixing	6 Pcs
GLMFERM	End stop	4 Pcs
GLMGREG	Adjustable floor guide	2 Pcs
Optional		
GLMSTOPSX	Left locking bracket	1 Pc
GLMSTOPDX	Right locking bracket	1 Pc
UT250	Pin wrench	1 Pc

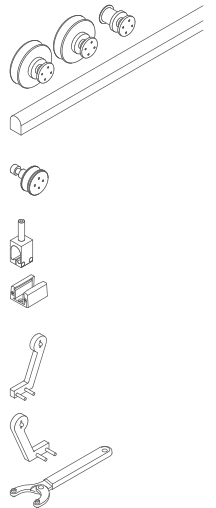


Art.	Description	For glass	Max. load	Qty
GM85004MUR	Wall fixing sliding door kit for 2 door panels	From 12 to 17.5 mm	150 + 150 kg	1 Pc

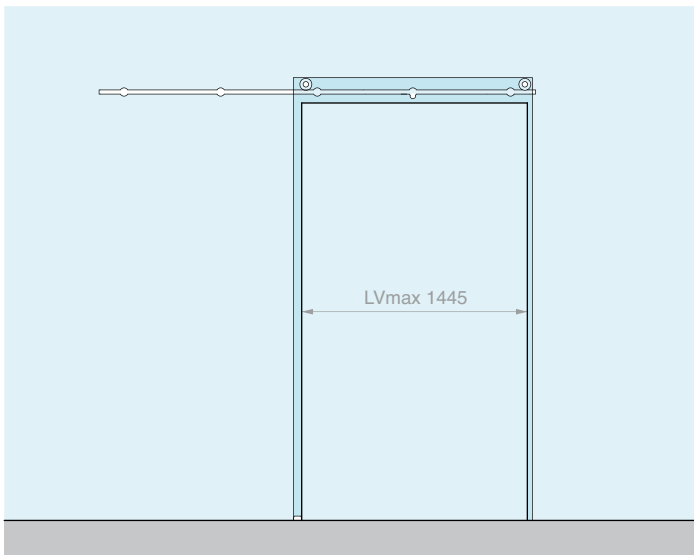


Kit comprising: Finish: /9

Art.	Description	Qty
GLM8500	Kit of 3 wheels	1 Pc
GLMBST200	Half round track L = 2000 mm	1 Pc
GLMATV	Glass fixing	4 Pcs
GLMFERM	End stop	2 Pcs
GLMGREG	Adjustable floor guide	1 Pc
Optional		
GLMSTOPSX	Left locking bracket	1 Pc
GLMSTOPDX	Right locking bracket	1 Pc
UT250	Pin wrench	1 Pc

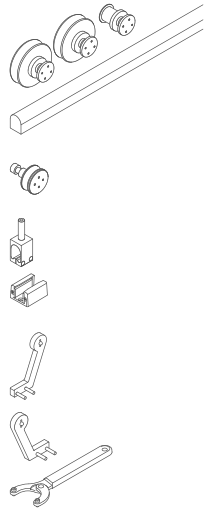


Art.	Description	For glass	Max. load	Qty
GM85002VET	Glass fixing sliding door kit	From 12 to 17.5 mm	150 kg	1 Pc

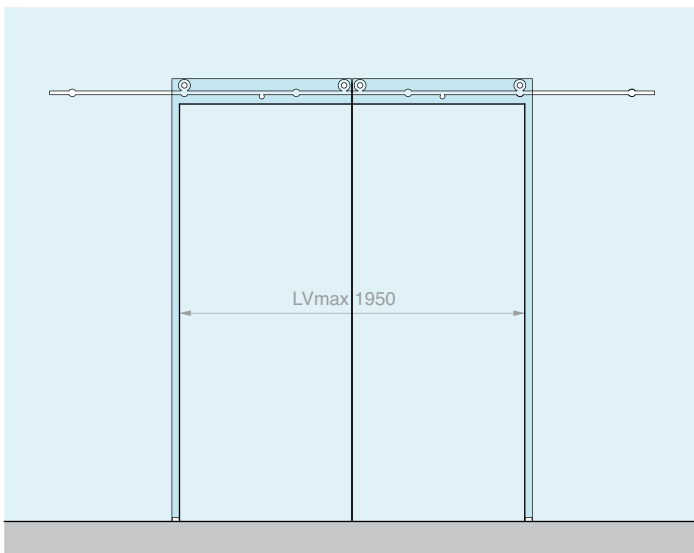


Kit comprising: Finish: /9

Art.	Description	Qty
GLM8500	Kit of 3 wheels	1 Pc
GLMBST300	Half round track L = 3000 mm	1 Pc
GLMATV	Glass fixing	5 Pcs
GLMFERM	End stop	2 Pcs
GLMGREG	Adjustable floor guide	1 Pc
Optional		
GLMSTOPSX	Left locking bracket	1 Pc
GLMSTOPDX	Right locking bracket	1 Pc
UT250	Pin wrench	1 Pc

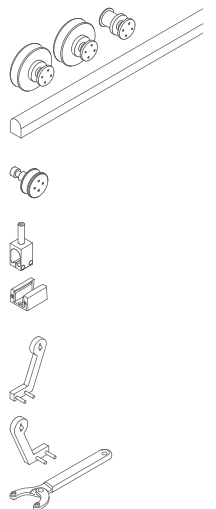


Art.	Description	For glass	Max. load	Qty
GM85003VET	Glass fixing sliding door kit	From 12 to 17.5 mm	150 kg	1 Pc

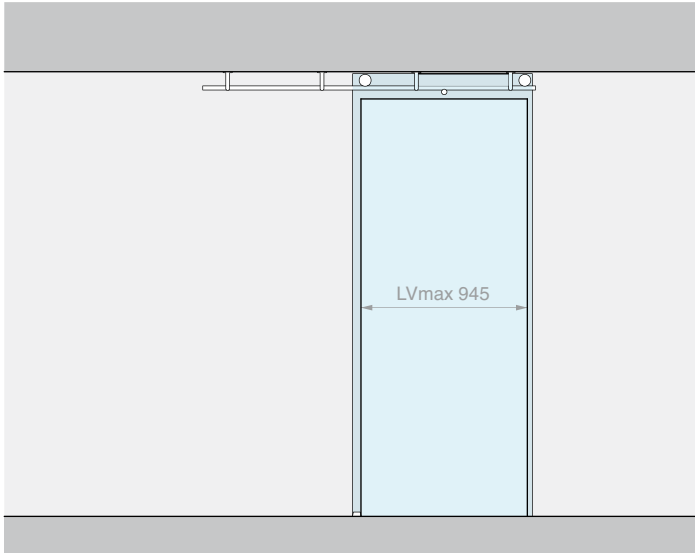


Kit comprising: Finish: /9

Art.	Description	Qty
GLM8500	Kit of 3 wheels	2 Pcs
GLMBST400	Half round track L = 4000 mm	1 Pc
GLMATV	Glass fixing	6 Pcs
GLMFERM	End stop	4 Pcs
GLMGREG	Adjustable floor guide	2 Pcs
Optional		
GLMSTOPSX	Left locking bracket	1 Pc
GLMSTOPDX	Right locking bracket	1 Pc
UT250	Pin wrench	1 Pc

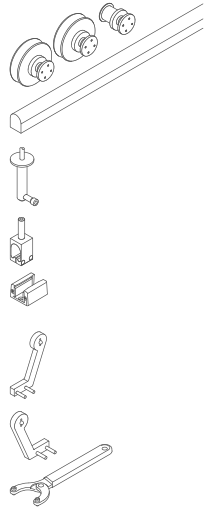


Art.	Description	For glass	Max. load	Qty
GM85004VET	Glass fixing sliding door kit for 2 door panels	From 12 to 17.5 mm	150 + 150 kg	1 Pc

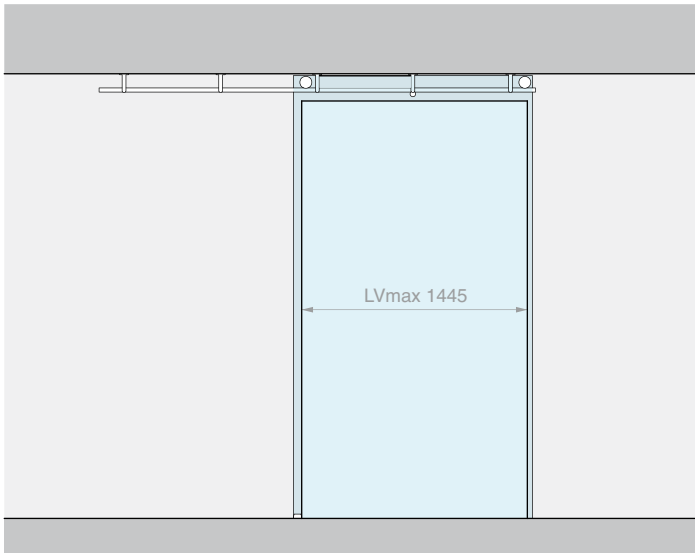


Kit comprising: Finish: /9

Art.	Description	Qty
GLM8500	Kit of 3 wheels	1 Pc
GLMBST200	Half round track L = 2000 mm	1 Pc
GLMATS	Ceiling fixing	4 Pcs
GLMFERM	End stop	2 Pcs
GLMGREG	Adjustable floor guide	1 Pc
Optional		
GLMSTOPSX	Left locking bracket	1 Pc
GLMSTOPDX	Right locking bracket	1 Pc
UT250	Pin wrench	1 Pc

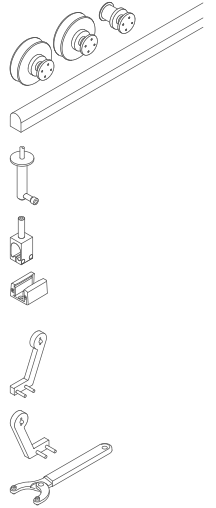


Art.	Description	For glass	Max. load	Qty
GM85002PLA	Ceiling fixing sliding door kit	From 12 to 17.5 mm	150 kg	1 Pc

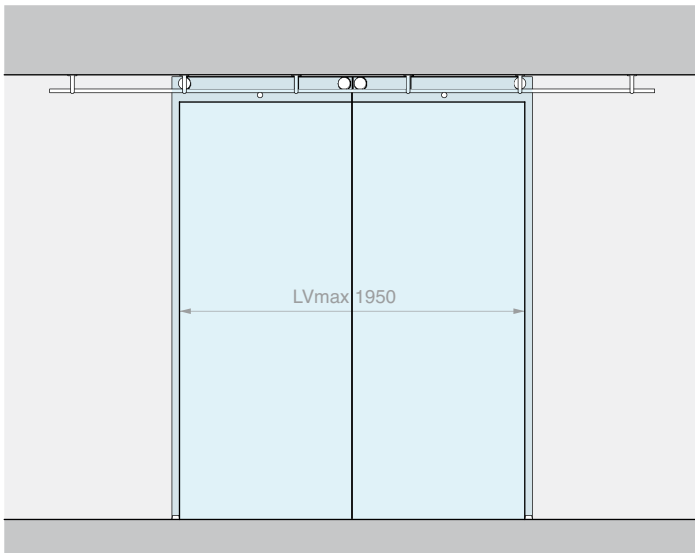


Kit comprising: Finish: /9

Art.	Description	Qty
GLM8500	Kit of 3 wheels	1 Pc
GLMBST300	Half round track L = 3000 mm	1 Pc
GLMATS	Ceiling fixing	5 Pcs
GLMFERM	End stop	2 Pcs
GLMGREG	Adjustable floor guide	1 Pc
Optional		
GLMSTOPSX	Left locking bracket	1 Pc
GLMSTOPDX	Right locking bracket	1 Pc
UT250	Pin wrench	1 Pc

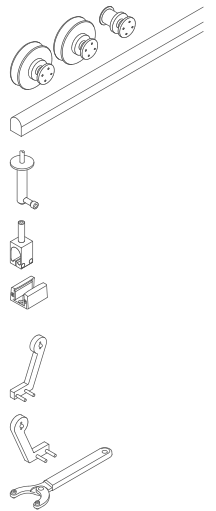


Art.	Description	For glass	Max. load	Qty
GM85003PLA	Ceiling fixing sliding door kit	From 12 to 17.5 mm	150 kg	1 Pc



Kit comprising: Finish: /9

Art.	Description	Qty
GLM8500	Kit of 3 wheels	2 Pcs
GLMBST400	Half round track L = 4000 mm	1 Pc
GLMATS	Ceiling fixing	6 Pcs
GLMFERM	End stop	4 Pcs
GLMGREG	Adjustable floor guide	2 Pcs
Optional		
GLMSTOPSX	Left locking bracket	1 Pc
GLMSTOPDX	Right locking bracket	1 Pc
UT250	Pin wrench	1 Pc



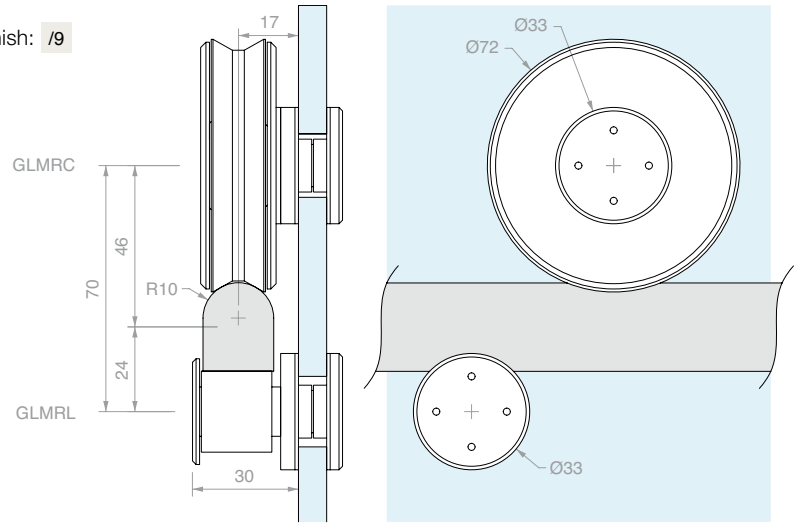
Art.	Description	For glass	Max. load	Qty
GM85004PLA	Ceiling fixing sliding door kit for 2 door panels	From 12 to 17.5 mm	150 + 150 kg	1 Pc



WHEELS

Material: AISI 304 stainless steel
 Recommended holes size GLMRC Ø18 mm
 Recommended holes size GLMRL Ø20 mm
 Recommended tool for tightening Art. UT250

Finish: /9

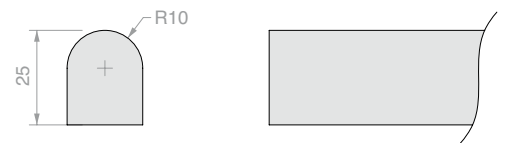


Art.	Description	For glass thickness	Qty.
GLMRC	Sliding wheel	From 12 to 17.5 mm	1 Pc
GLMRL	Anti-derailment wheel	From 12 to 17.5 mm	1 Pc
GLM8500	Kit of 2 sliding rollers + 1 anti-derailment roller	From 12 to 17.5 mm	1 Pc

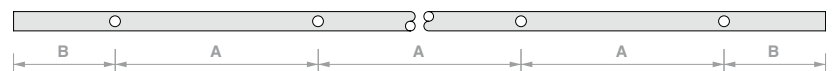


SOLID HALF ROUND DRILLED TRACK

Material: AISI 304 stainless steel
 Finish: /8



Track drilling pattern:

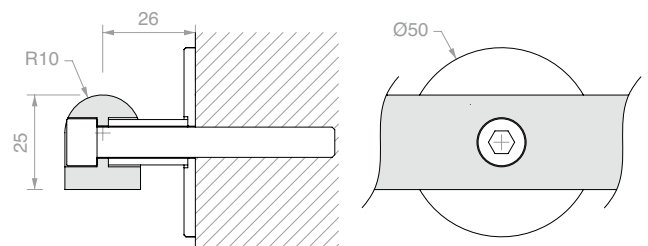


Art.	Length	No. holes	Dimensions	Qty.
GLMBST200	2000 mm	4	A 567 mm B 150 mm	1 Pc
GLMBST300	3000 mm	5	A 675 mm B 150 mm	1 Pc
GLMBST400	4000 mm	6	A 740 mm B 150 mm	1 Pc
GLMBST	cut to size	on request	cut to size	1 Pc

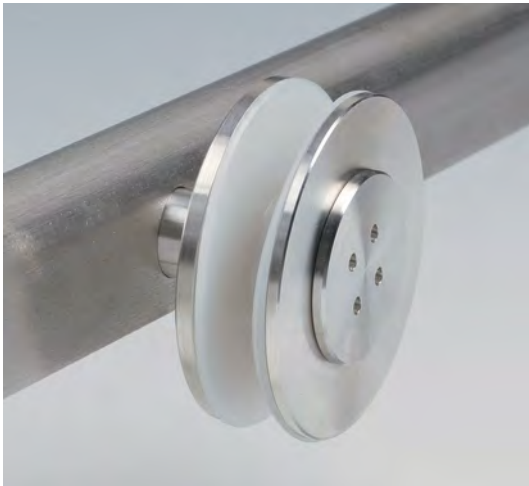


WALL FIXING

Material: AISI 304 stainless steel
 Finish: /9

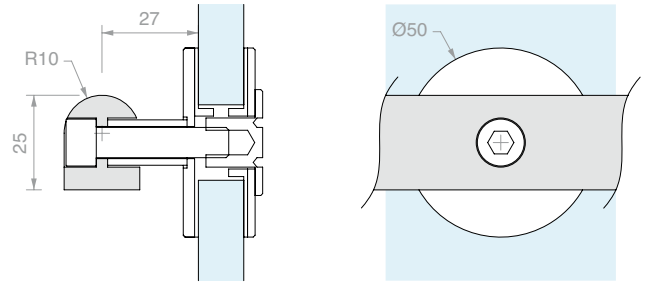


Art.	Description	Qty.
GLMATM	With M8 mm x 80 mm screws	1 Pc



GLASS FIXING

Material: AISI 304 stainless steel
Recommended hole size Ø20 mm
Recommended tool for tightening Art. UT250
Finish: /9

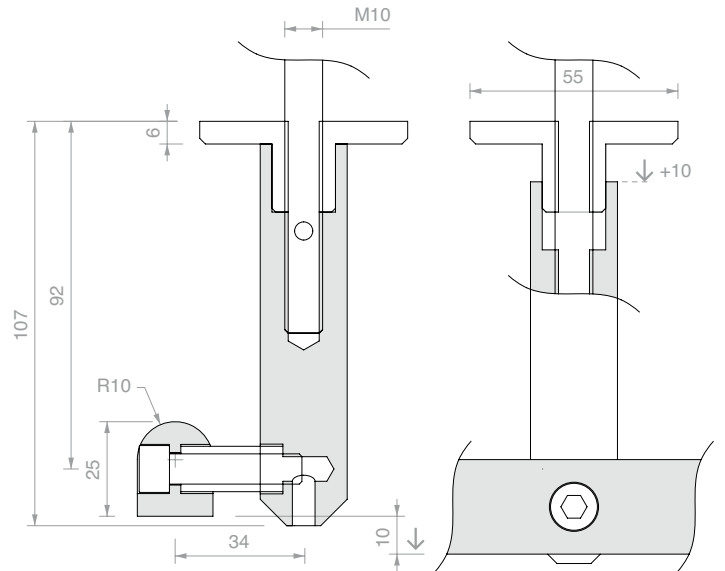


Art.	Description	For glass	Qty
GLMATV	With M8 mm x 45 mm screws	From 12 to 17.5 mm	1 Pc



CEILING FIXING

Material: AISI 304 stainless steel
Finish: /9

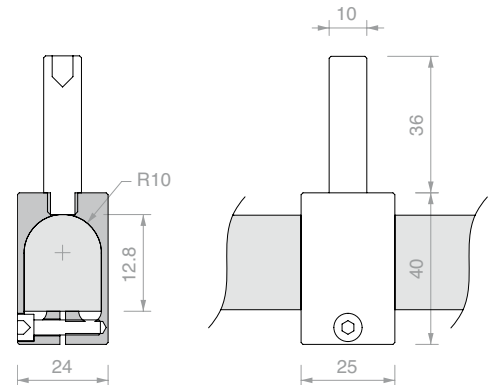


Art.	Description	Qty
GLMATS	With M10 mm x 160 mm screws	1 Pc



END STOP

Material: AISI 304 stainless steel
Finish: /8

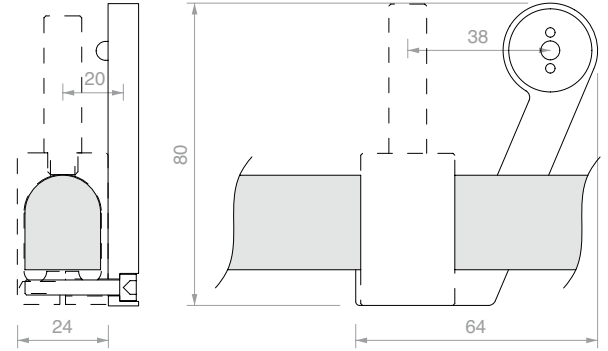


Art.	Qty
GLMFERM	1 Pc



LEFT LOCKING BRACKET

Material: AISI 304 stainless steel
Finish: /8



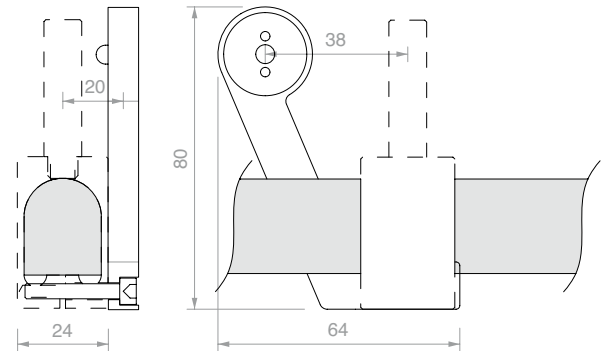
Art. **GLMSTOPSX**

Qty
1 Pc



RIGHT LOCKING BRACKET

Material: AISI 304 stainless steel
Finish: /8



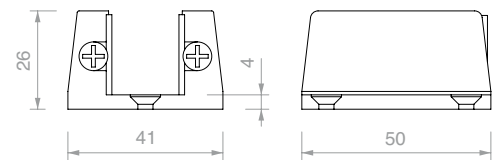
Art. **GLMSTOPDX**

Qty
1 Pc



ADJUSTABLE FLOOR GUIDE

Material: aluminium
Finish: /88



Art. **GLMGREG**

For glass
From 11 to 19 mm

Qty
1 Pc



PIN WRENCH

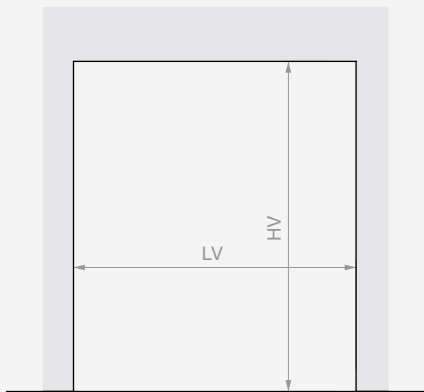
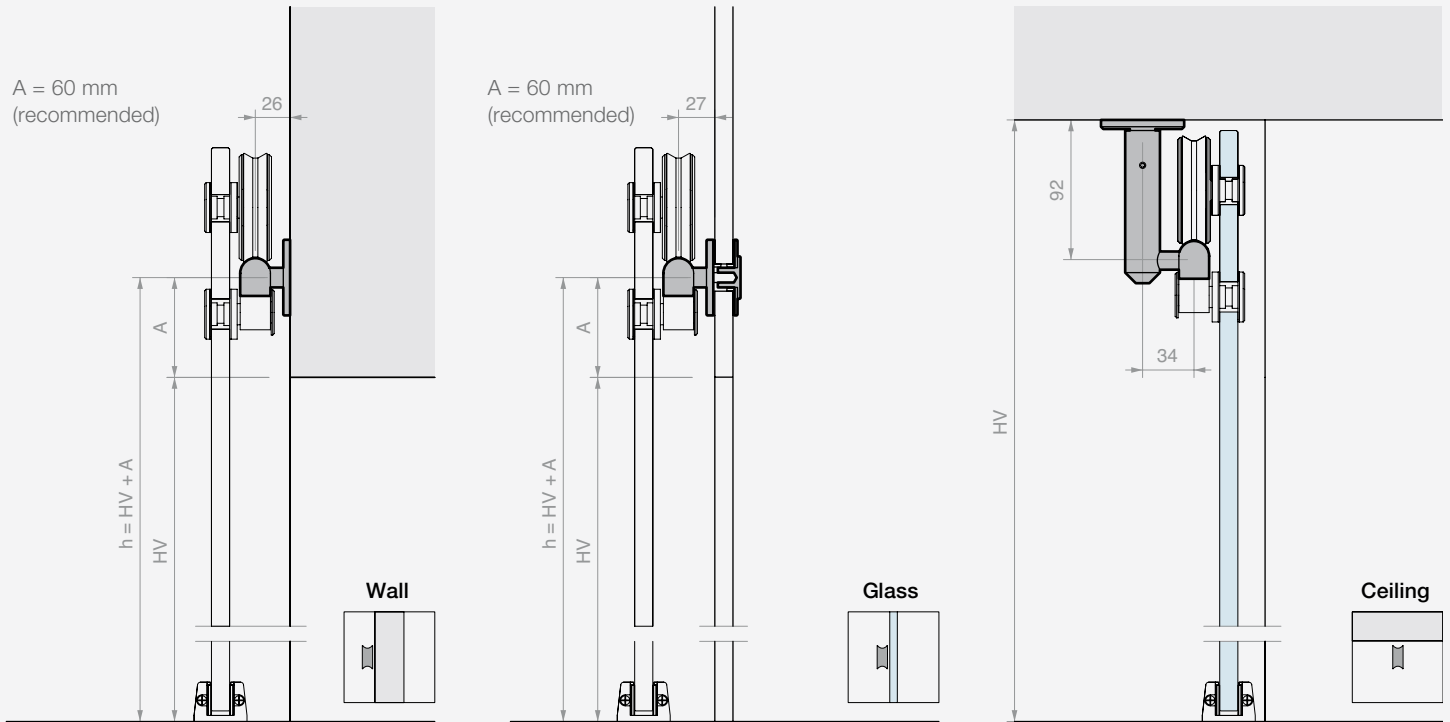
Material: iron body, steel pins

The compass opening allows to operate with wide radiuses, for pair of holes with a centre distance between 9 mm and 55 mm

Art.	Description	Qty
UT250	Pin wrench with Ø2.4 mm pins	1 Pc
UTC250R	2 replacements pins Ø2.4 mm	1 Pc



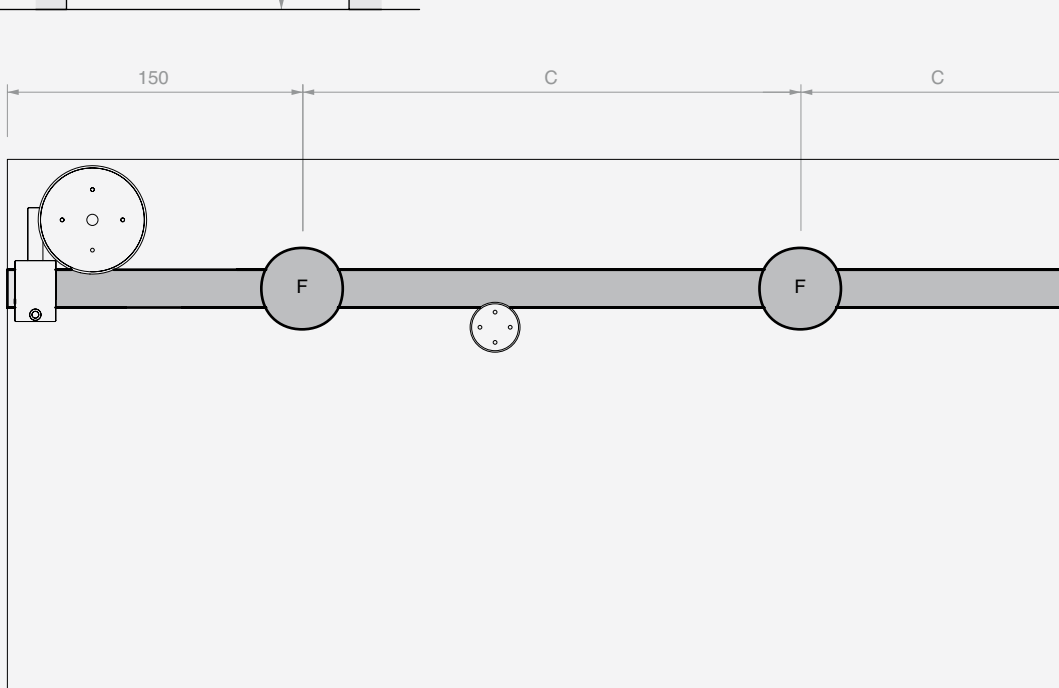
TRACK FIXING



Track L = 2000 mm
LVmax 945 mm

Track L = 3000 mm
LVmax 1445 mm

Track L = 4000 mm
LVmax 1950 mm



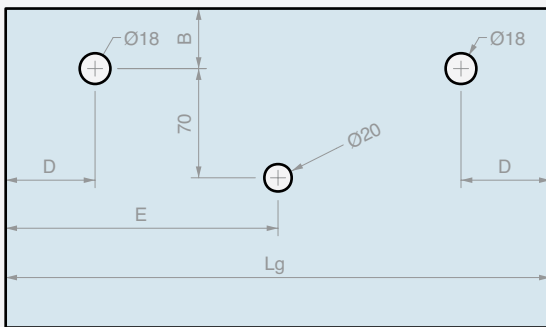
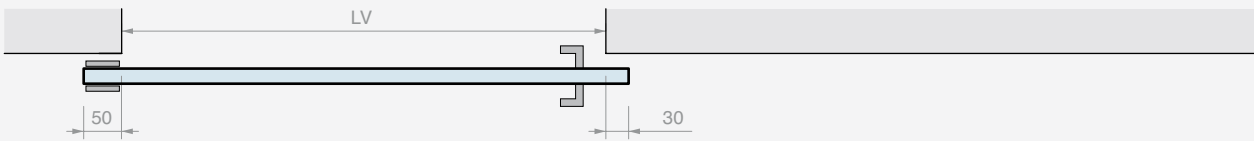
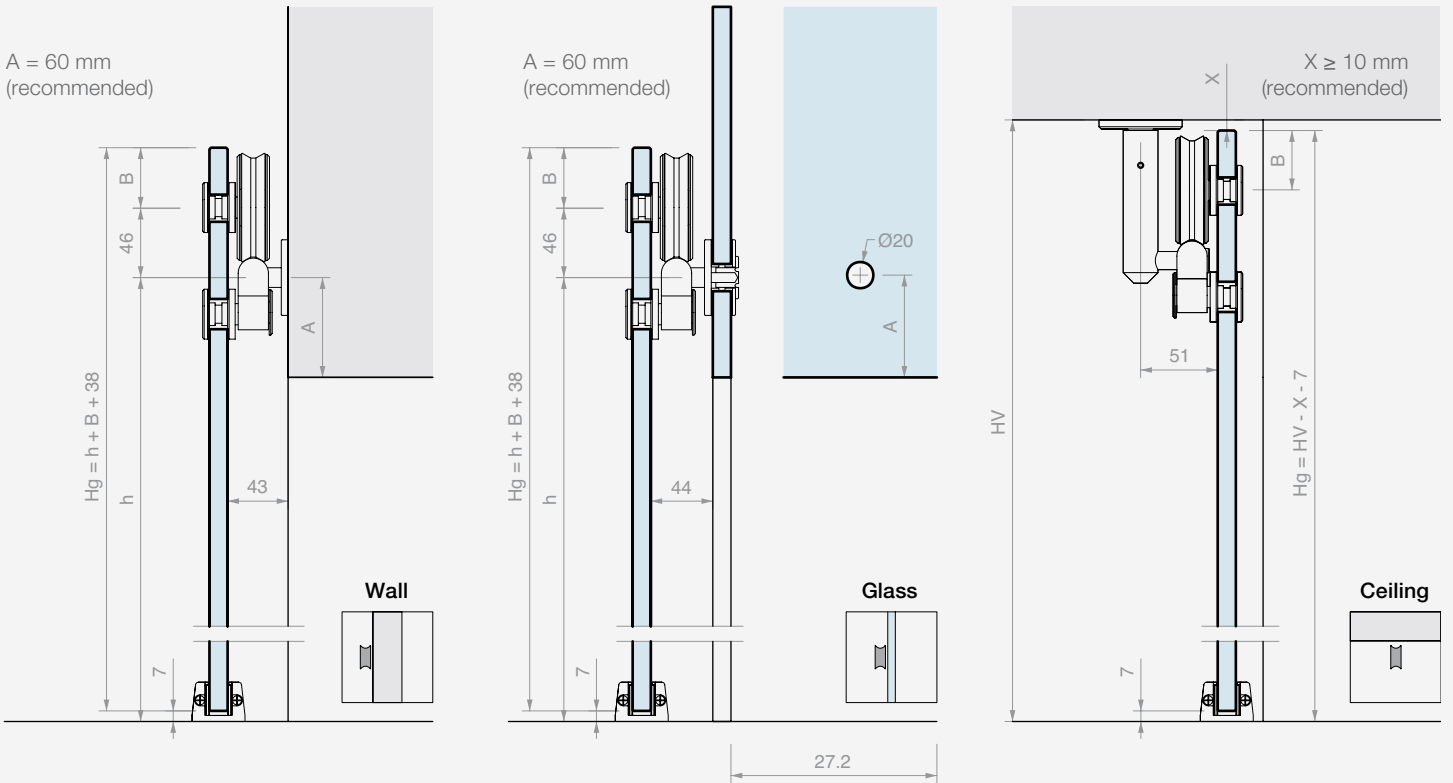
Track L = 2000 mm
4 fixings (F)
C = 567 mm

Track L = 3000 mm
5 fixings (F)
C = 675 mm

Track L = 4000 mm
6 fixings (F)
C = 740 mm



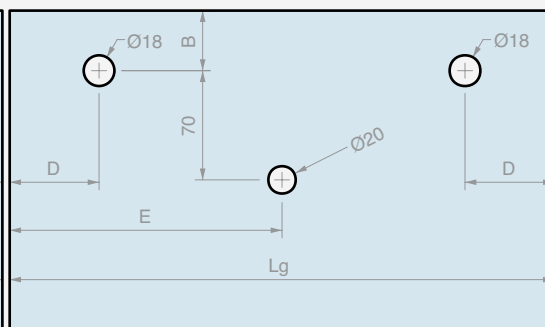
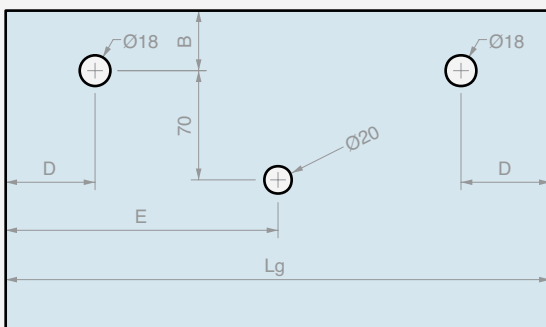
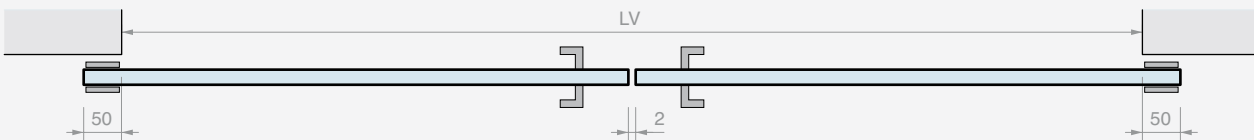
CALCULATION OF DIMENSIONS AND DRILLING OF GLASS PANELS



$Lg = LV + 80$
 $D \geq 95 \text{ mm}$
 $E = Lg/2$

WALL/GLASS FIXING
 $B \geq 40 \text{ mm}$ (recommended)

CEILING FIXING
 $B = 47 \text{ mm} - X$



$Lg = (LV + 98)/2$
 $D \geq 95 \text{ mm}$
 $E = Lg/2$

FIXING WALL/GLASS
 $B \geq 40 \text{ mm}$ (recommended)

FIXING CEILING
 $B = 47 \text{ mm} - X$



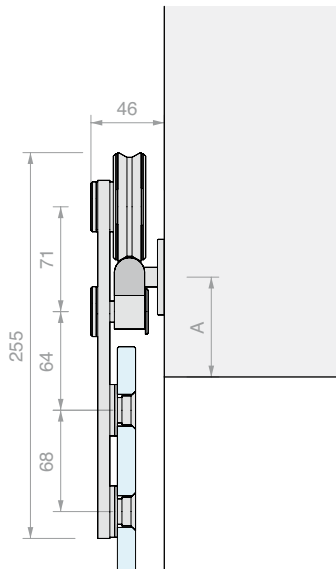
GIUMAX 6500

AISI 304 stainless steel sliding door system composed of a half-round load-bearing track, visible rollers and fixing accessories.

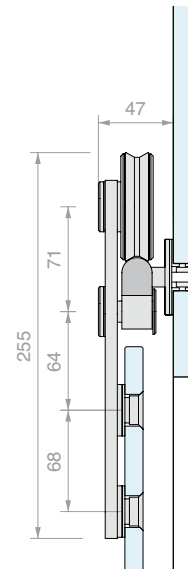
The roller is composed of a T-shaped connecting load-bearing bracket, with a pair of wheels, an anti-derailment wheel and two studs for fixing the door panel. The pair of rollers allows a thick door panel between 12 and 17.5 mm and weighing up to 150 kg to slide.

The roller technology allows the height of the studs to be adjusted to ease the position of the door panel.

The fixing parts allow a frontal fitment of the track according to the type of installation: on the wall or glass partition.

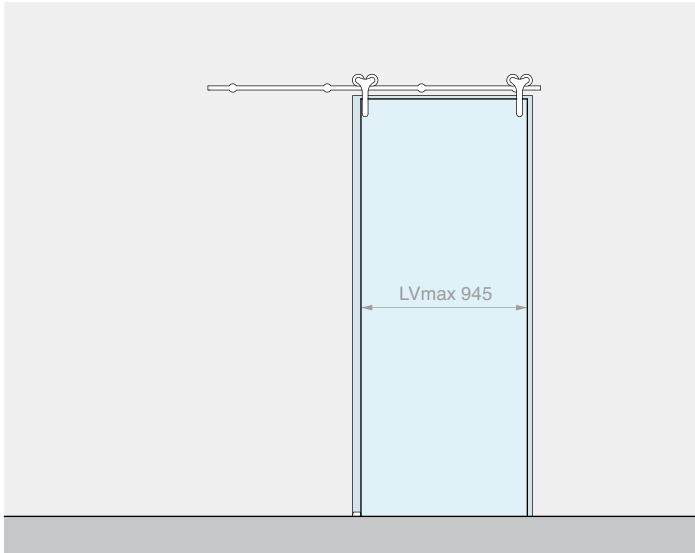


Wall



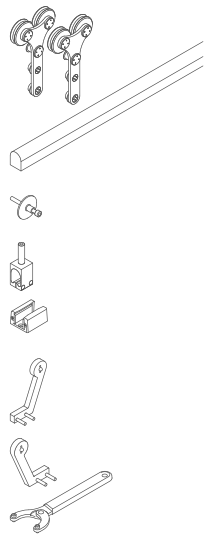
Glass



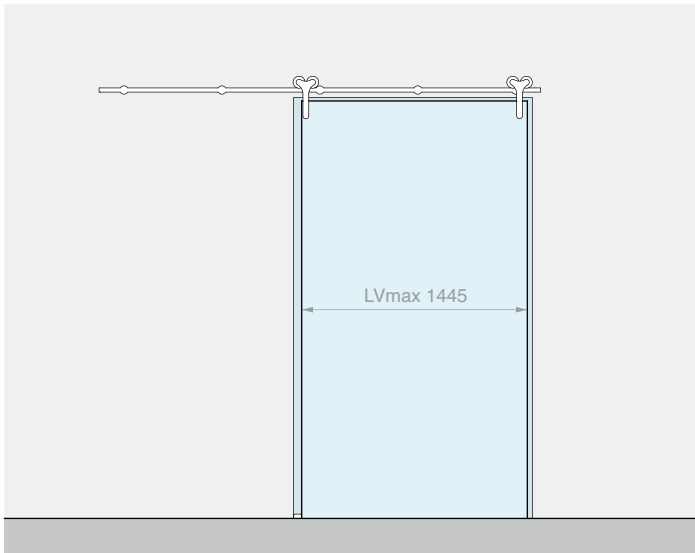


Kit comprising: Finish: /9

Art.	Description	Qty
GLM6500	Kit of 2 rollers	1 Pc
GLMBST200	Half round track L = 2000 mm	1 Pc
GLMATM	Wall fixing	4 Pcs
GLMFERM	End stop	2 Pcs
GLMGREG	Adjustable floor guide	1 Pc
Optional		
GLMSTOPSX	Left locking bracket	1 Pc
GLMSTOPDX	Right locking bracket	1 Pc
UT250	Pin wrench	1 Pc

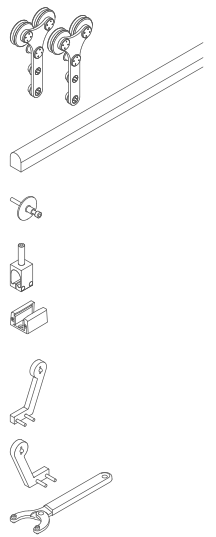


Art.	Description	For glass	Max. load	Qty
GM65002MUR	Wall fixing sliding door kit	From 12 to 17.5 mm	150 kg	1 Pc

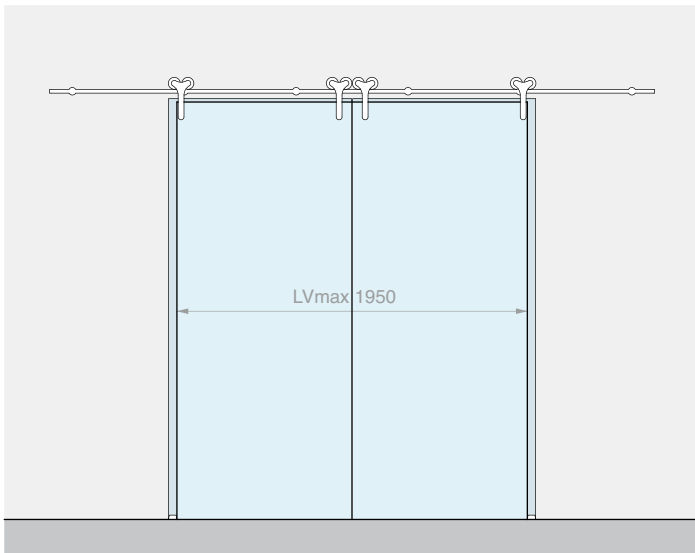


Kit comprising: Finish: /9

Art.	Description	Qty
GLM6500	Kit of 2 rollers	1 Pc
GLMBST300	Half round track L = 3000 mm	1 Pc
GLMATM	Wall fixing	5 Pcs
GLMFERM	End stop	2 Pcs
GLMGREG	Adjustable floor guide	1 Pc
Optional		
GLMSTOPSX	Left locking bracket	1 Pc
GLMSTOPDX	Right locking bracket	1 Pc
UT250	Pin wrench	1 Pc

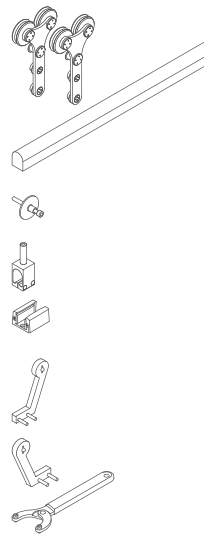


Art.	Description	For glass	Max. load	Qty
GM65003MUR	Wall fixing sliding door kit	From 12 to 17.5 mm	150 kg	1 Pc

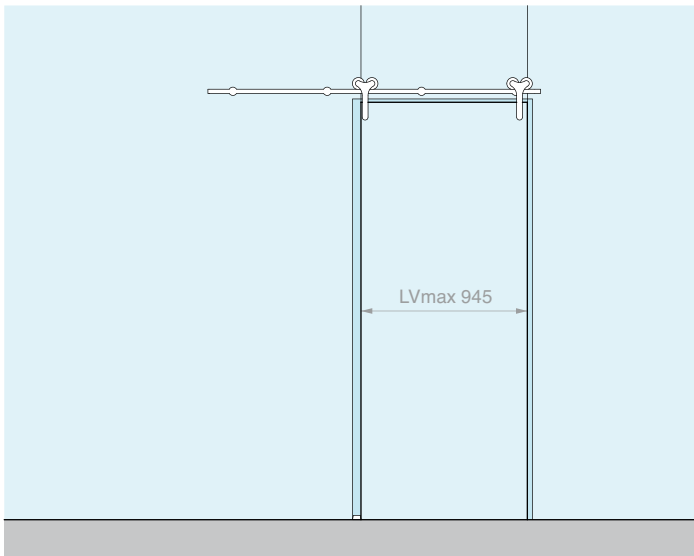


Kit comprising: Finish: /9

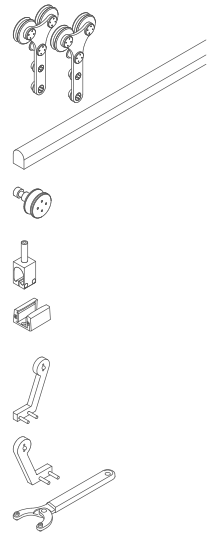
Art.	Description	Qty
GLM6500	Kit of 2 rollers	2 Pcs
GLMBST400	Half round track L = 4000 mm	1 Pc
GLMATM	Wall fixing	6 Pcs
GLMFERM	End stop	4 Pcs
GLMGREG	Adjustable floor guide	2 Pcs
Optional		
GLMSTOPSX	Left locking bracket	1 Pc
GLMSTOPDX	Right locking bracket	1 Pc
UT250	Pin wrench	1 Pc



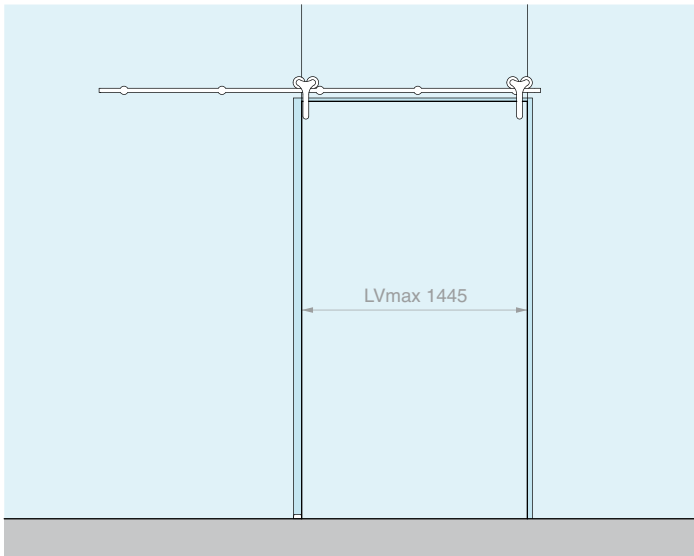
Art.	Description	For glass	Max. load	Qty
GM65004MUR	Wall fixing sliding door kit for 2 door panels	From 12 to 17.5 mm	150 + 150 kg	1 Pc



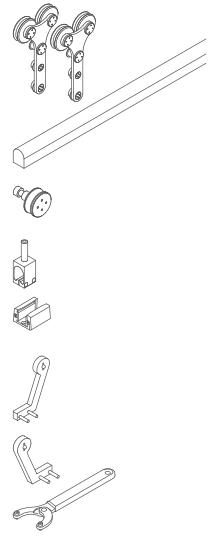
Kit comprising:		Finish: /9
Art.	Description	Qty
GLM6500	Kit of 2 rollers	1 Pc
GLMBST200	Half round track L = 2000 mm	1 Pc
GLMATV	Glass fixing	4 Pcs
GLMFERM	End stop	2 Pcs
GLMGREG	Adjustable floor guide	1 Pc
Optional		
GLMSTOPSX	Left locking bracket	1 Pc
GLMSTOPDX	Right locking bracket	1 Pc
UT250	Pin wrench	1 Pc



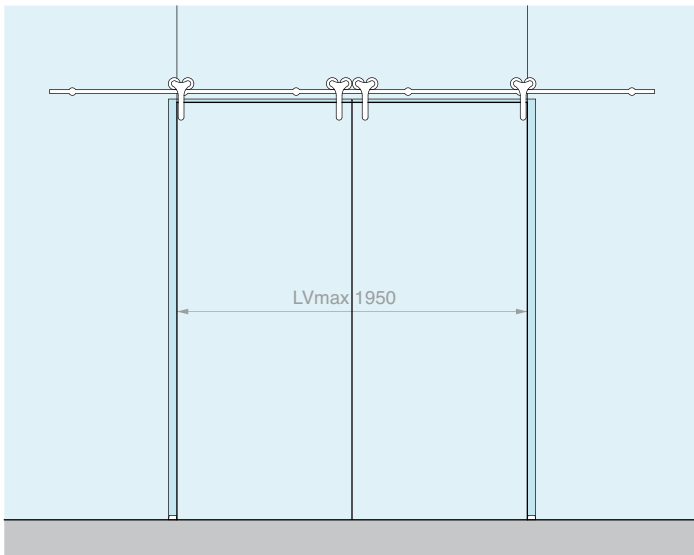
Art.	Description	For glass	Max. load	Qty
GM65002VET	Glass fixing sliding door kit	From 12 to 17.5 mm	150 kg	1 Pc



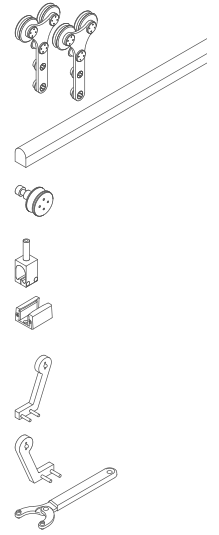
Kit comprising:		Finish: /9
Art.	Description	Qty
GLM6500	Kit of 2 rollers	1 Pc
GLMBST300	Half round track L = 3000 mm	1 Pc
GLMATV	Glass fixing	5 Pcs
GLMFERM	End stop	2 Pcs
GLMGREG	Adjustable floor guide	1 Pc
Optional		
GLMSTOPSX	Left locking bracket	1 Pc
GLMSTOPDX	Right locking bracket	1 Pc
UT250	Pin wrench	1 Pc



Art.	Description	For glass	Max. load	Qty
GM65003VET	Glass fixing sliding door kit	From 12 to 17.5 mm	150 kg	1 Pc



Kit comprising:		Finish: /9
Art.	Description	Qty
GLM6500	Kit of 2 rollers	2 Pcs
GLMBST400	Half round track L = 4000 mm	1 Pc
GLMATV	Glass fixing	6 Pcs
GLMFERM	End stop	4 Pcs
GLMGREG	Adjustable floor guide	2 Pcs
Optional		
GLMSTOPSX	Left locking bracket	1 Pc
GLMSTOPDX	Right locking bracket	1 Pc
UT250	Pin wrench	1 Pc



Art.	Description	For glass	Max. load	Qty
GM65004VET	Glass fixing sliding door kit for 2 door panels	From 12 to 17.5 mm	150 + 150 kg	1 Pc



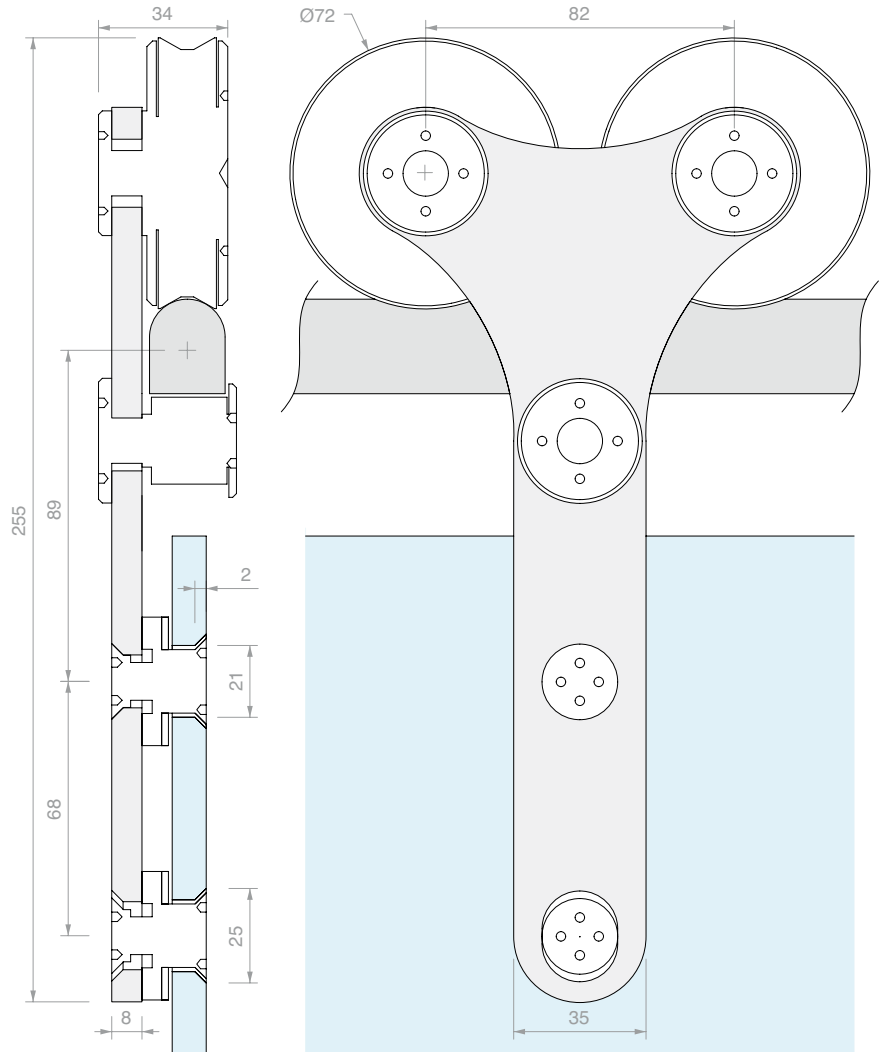
ROLLER

Material: AISI 304 stainless steel

Recommended holes size Ø21 mm, countersunk 2 mm depth

Recommended tool for tightening Art. UT250

Finish: /9



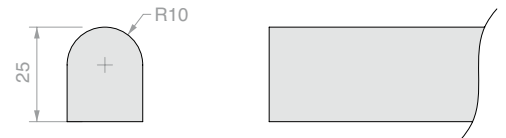
Art.	Description	For glass thickness	Qty.
GLM6550	Single roller	From 12 to 17.5 mm	1 Pc
GLM6500	Kit of 2 rollers	From 12 to 17.5 mm	1 Pc



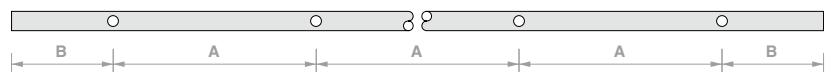
SOLID HALF ROUND DRILLED TRACK

Material: AISI 304 stainless steel

Finish: /8



Track drilling pattern:



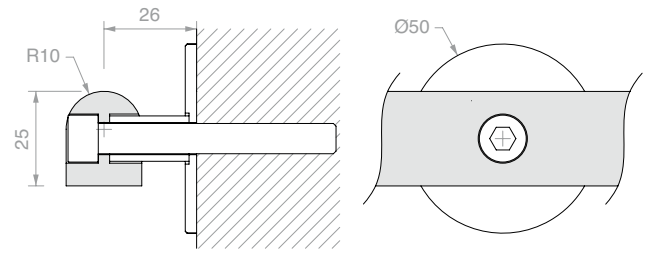
Art.	Length	No. holes	Dimensions	Qty.
GLMBST200	2000 mm	4	A 567 mm B 150 mm	1 Pc
GLMBST300	3000 mm	5	A 675 mm B 150 mm	1 Pc
GLMBST400	4000 mm	6	A 740 mm B 150 mm	1 Pc
GLMBST	cut to size	on request	cut to size	1 Pc



WALL FIXING

Material: AISI 304 stainless steel

Finish: /9



Art.	Description	Qty
GLMATM	With M8 mm x 80 mm screws	1 Pc



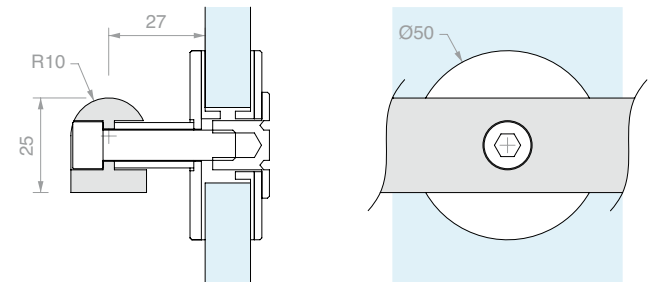
GLASS FIXING

Material: AISI 304 stainless steel

Recommended hole size Ø20 mm

Recommended tool for tightening Art. UT250

Finish: /9



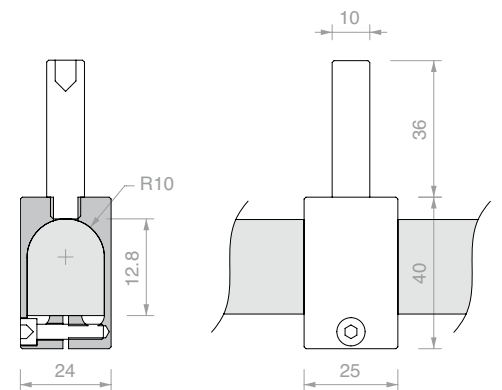
Art.	Description	For glass	Qty
GLMATV	With M8 mm x 45 mm screws	From 12 to 17.5 mm	1 Pc



END STOP

Material: AISI 304 stainless steel

Finish: /8



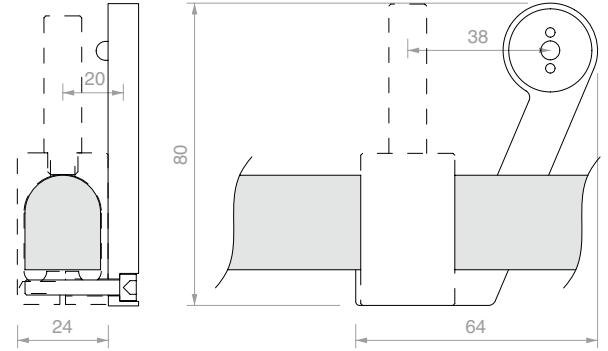
Art.	Qty
GLMFERM	1 Pc



LEFT LOCKING BRACKET

Material: AISI 304 stainless steel

Finish: /8



Art.

GLMSTOPSX

Qty

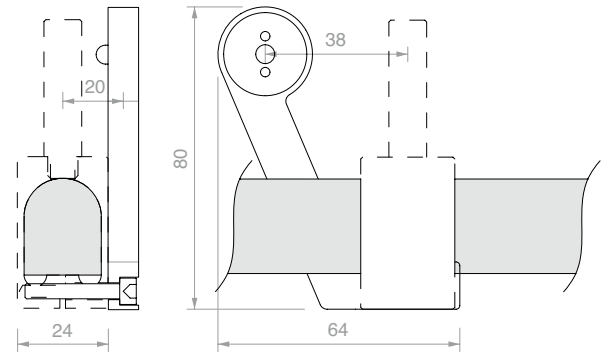
1 Pc



RIGHT LOCKING BRACKET

Material: AISI 304 stainless steel

Finish: /8



Art.

GLMSTOPDX

Qty

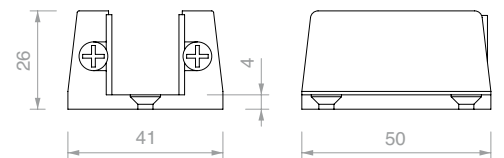
1 Pc



ADJUSTABLE FLOOR GUIDE

Material: aluminium

Finish: /88



Art.

GLMGREG

For glass

From 11 to 19 mm

Qty

1 Pc



PIN WRENCH

Material: iron body, steel pins

The compass opening allows to operate with wide radiuses,

for pair of holes with a centre distance between 9 mm and 55 mm

Art.

UT250

UTC250R

Description

Pin wrench with Ø2.4 mm pins

2 replacements pins Ø2.4 mm

Qty

1 Pc

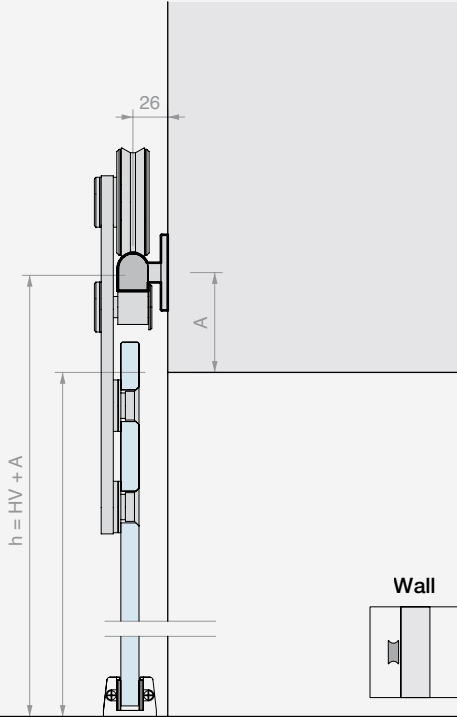
1 Pc



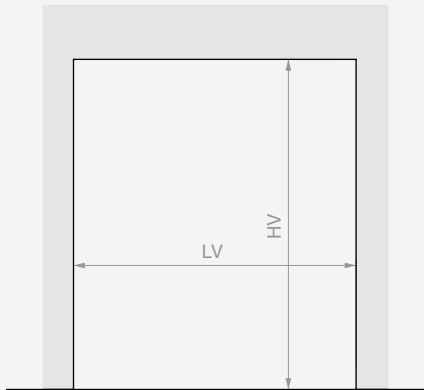
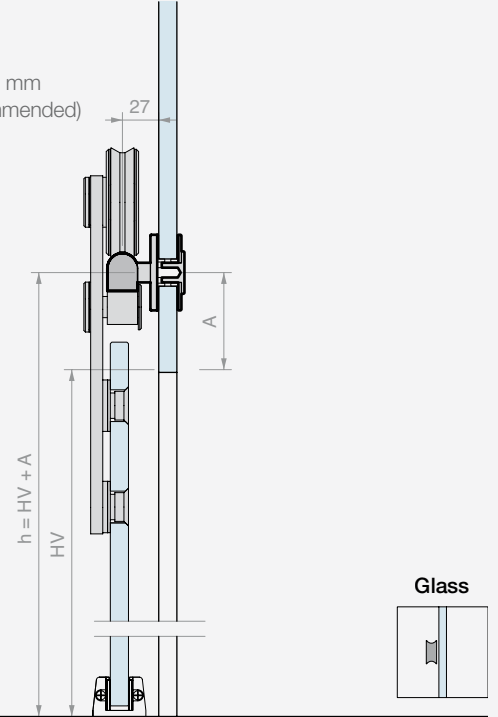


TRACK FIXING

A = 60 mm
(recommended)



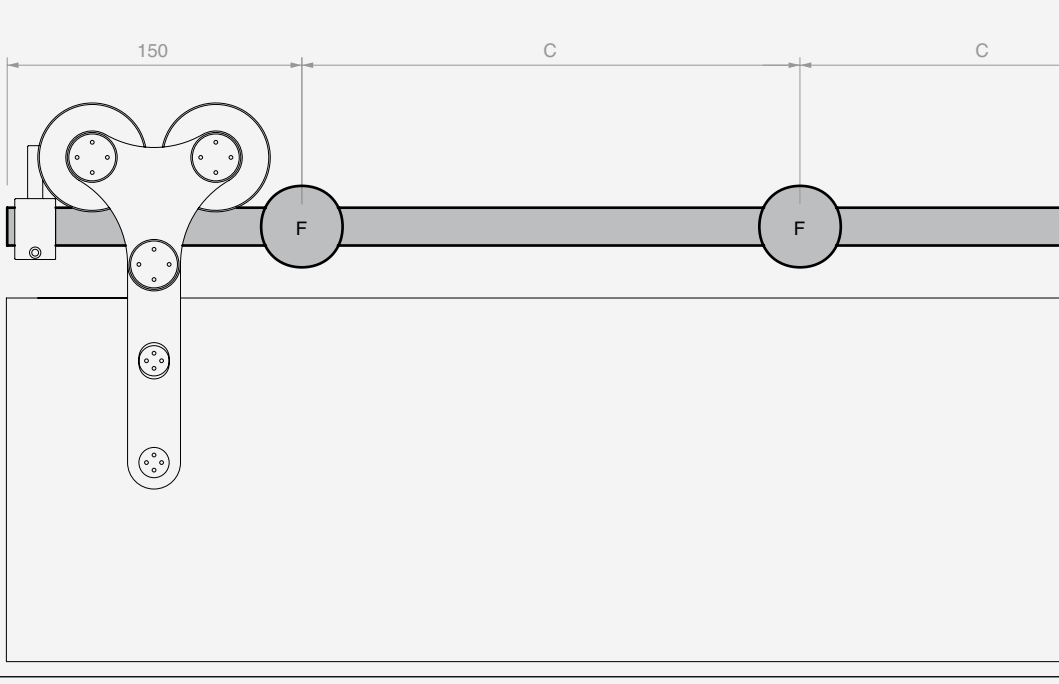
A = 60 mm
(recommended)



Track L = 2000 mm
LVmax 945 mm

Track L = 3000 mm
LVmax 1445 mm

Track L = 4000 mm
LVmax 1950 mm



Track L = 2000 mm
4 fixings (F)
C = 567 mm

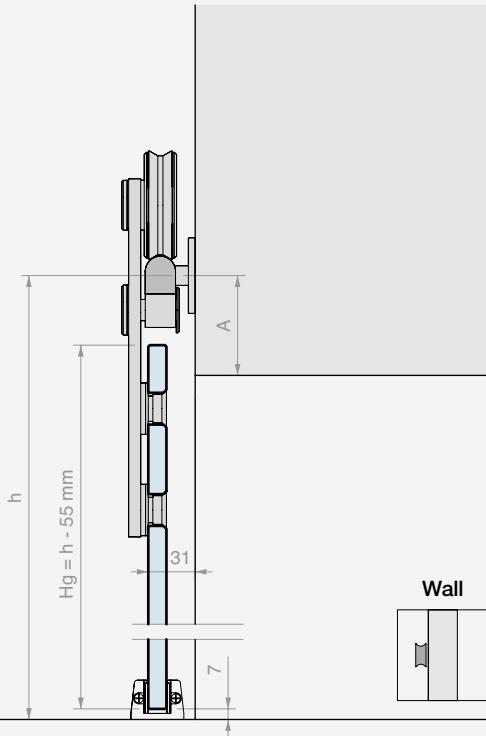
Track L = 3000 mm
5 fixings (F)
C = 675 mm

Track L = 4000 mm
6 fixings (F)
C = 740 mm

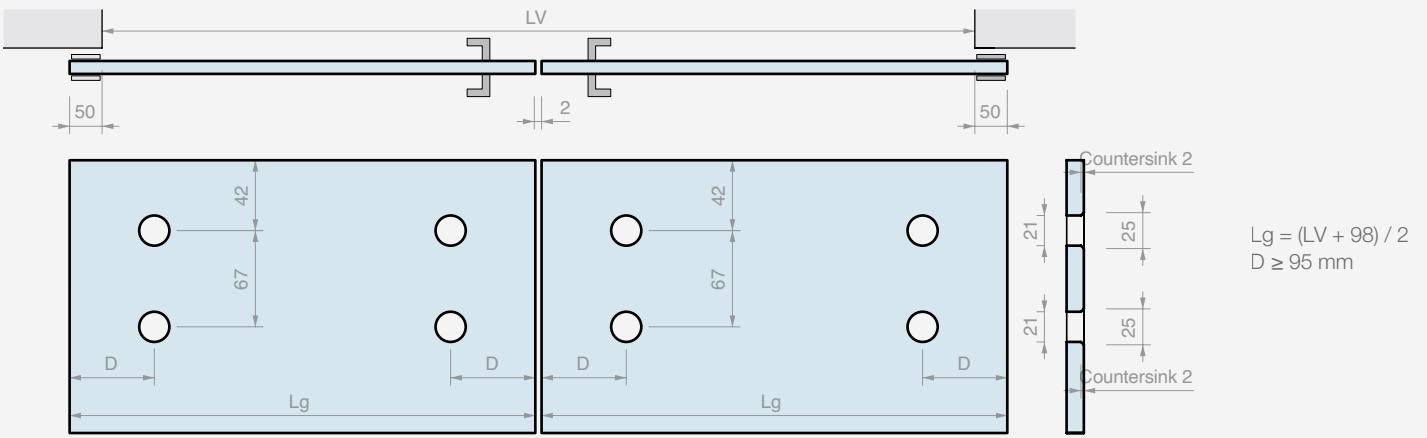
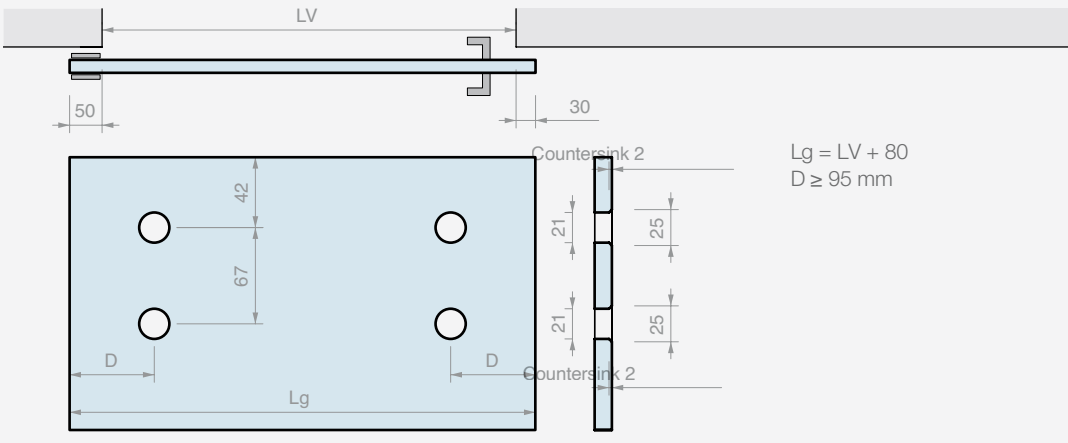
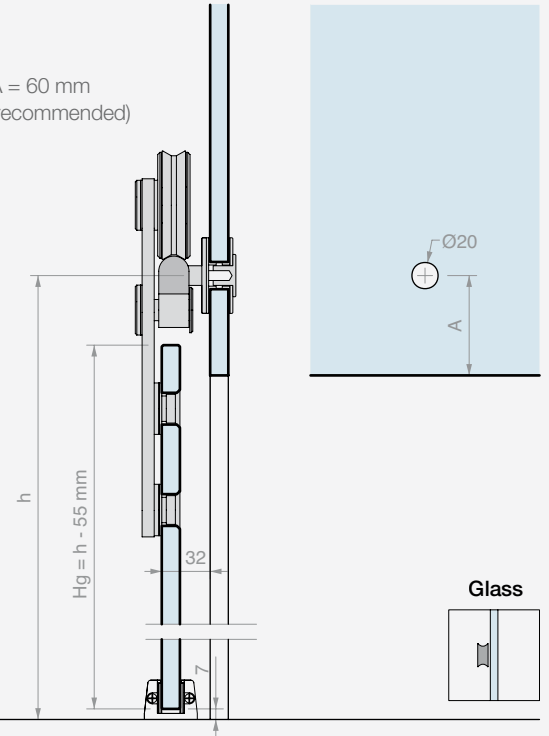


CALCULATION OF DIMENSIONS AND DRILLING OF GLASS PANELS

A = 60 mm
(recommended)



A = 60 mm
(recommended)





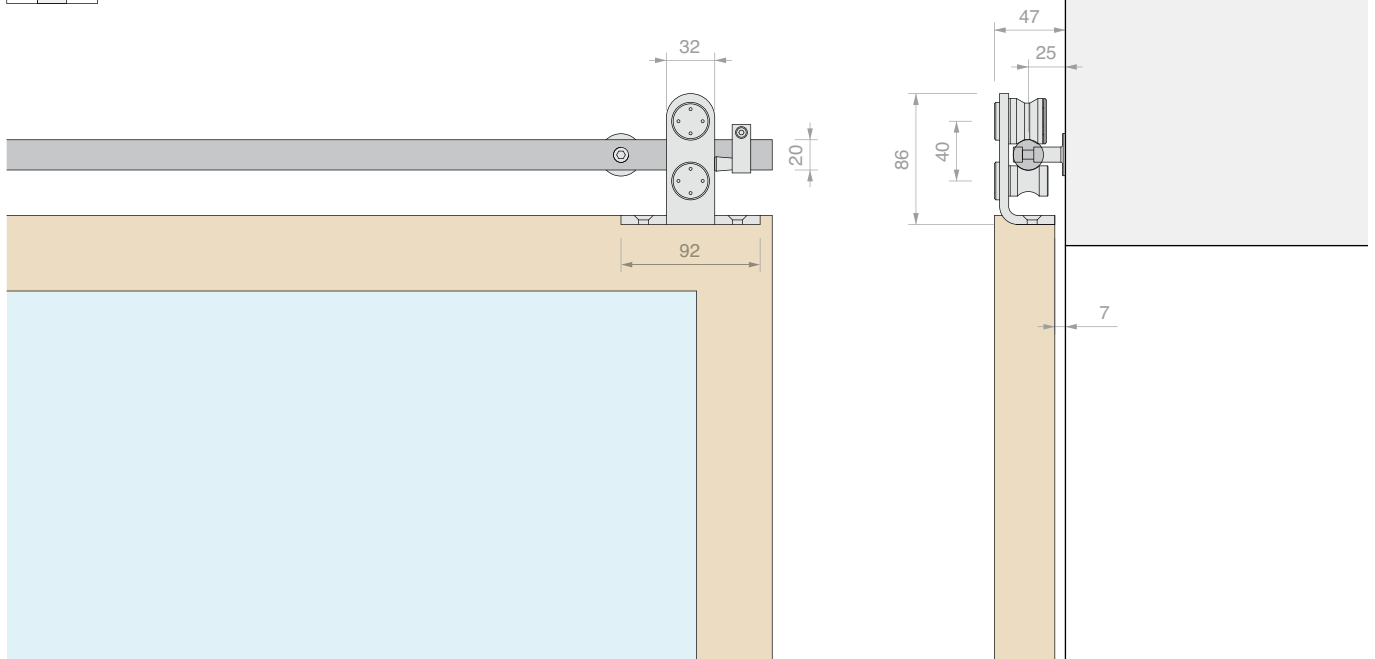
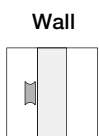


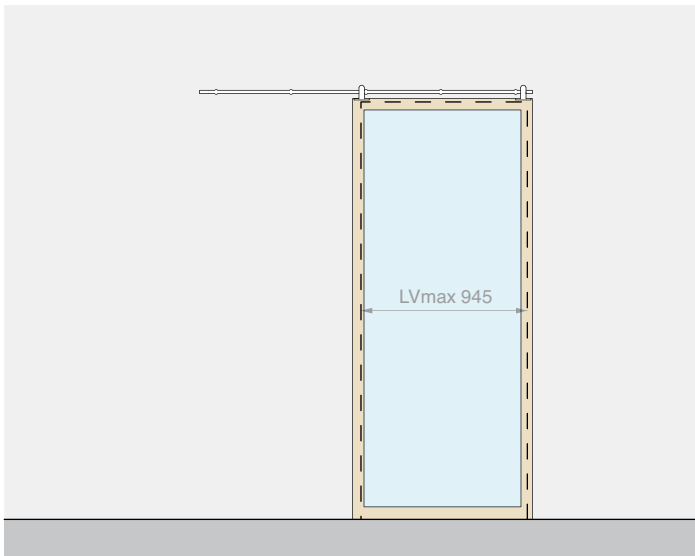
GIUMAX 3500

AISI 304 stainless steel sliding door system composed of a solid round track, visible rollers and fixing accessories.

The roller is composed of a connector bracket, a wheel and an anti-derailment pin. The connection bracket has holes for fixing the panel. The couple of wheels allows a sliding of a door panel with a minimum frame thickness of 30 mm to, with a maximum weight up to 80 kg.

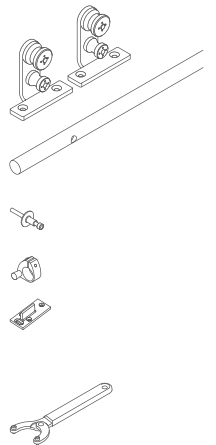
The roller technology allows the height of the wheel to be adjusted to ease the position of the door panel. The fixing parts allow the track to be fitted to the wall.



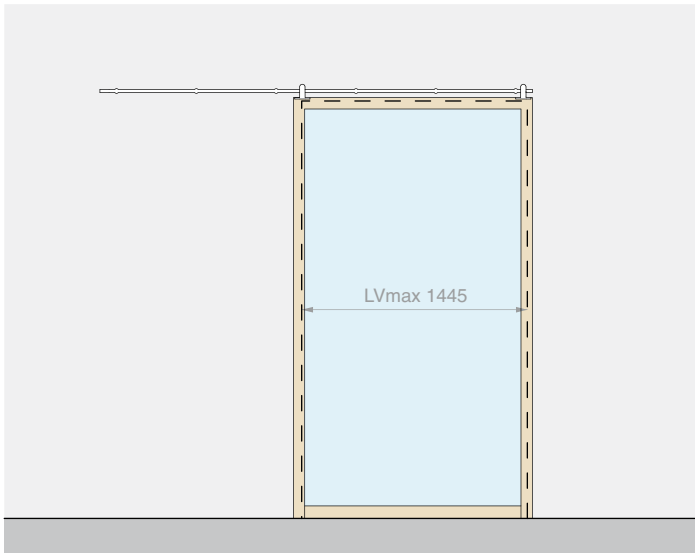


Kit comprising: Finish: /8

Art.	Description	Qty
GNW3500	Kit of 2 rollers	1 Pc
GLMTND20	Round track L = 2000 mm	1 Pc
GNW20	Wall fixing	5 Pcs
GLM3023	Oval end stop	2 Pcs
057.3010.001	Floor guide	1 Pc
Optional		
UT200	Pin wrench	1 Pc

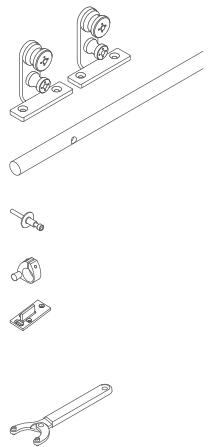


Art.	Description	For door panels	Max. load	Qty
GNW35002	Wall fixing sliding door kit	≥ 30 mm	80 kg	1 Pc

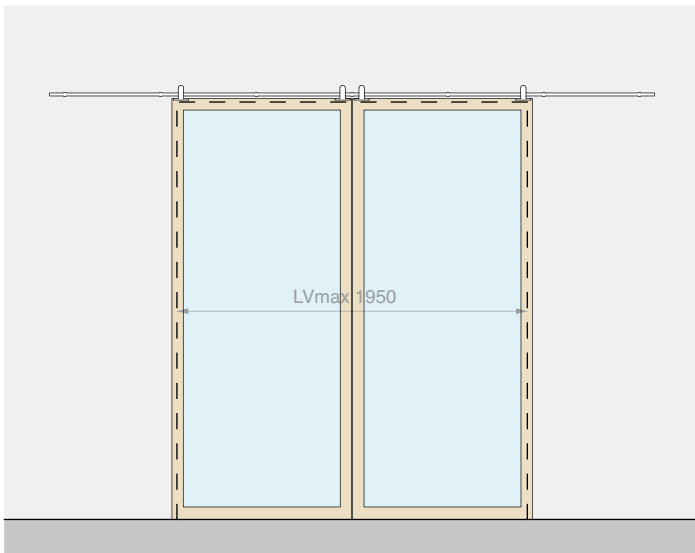


Kit comprising: Finish: /8

Art.	Description	Qty
GNW3500	Kit of 2 rollers	1 Pc
GLMTND30	Round track L = 3000 mm	1 Pc
GNW20	Wall fixing	6 Pcs
GLM3023	Oval end stop	2 Pcs
057.3010.001	Floor guide	1 Pc
Optional		
UT200	Pin wrench	1 Pc

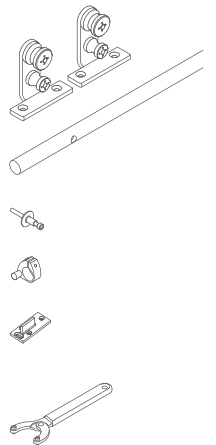


Art.	Description	For door panels	Max. load	Qty
GNW35003	Wall fixing sliding door kit	≥ 30 mm	80 kg	1 Pc



Kit comprising: Finish: /8

Art.	Description	Qty
GNW3500	Kit of 2 rollers	2 Pcs
GLMTND40	Round track L = 4000 mm	1 Pc
GNW20	Wall fixing	7 Pcs
GLM3023	Oval end stop	4 Pcs
057.3010.001	Floor guide	2 Pcs
Optional		
UT200	Pin wrench	1 Pc

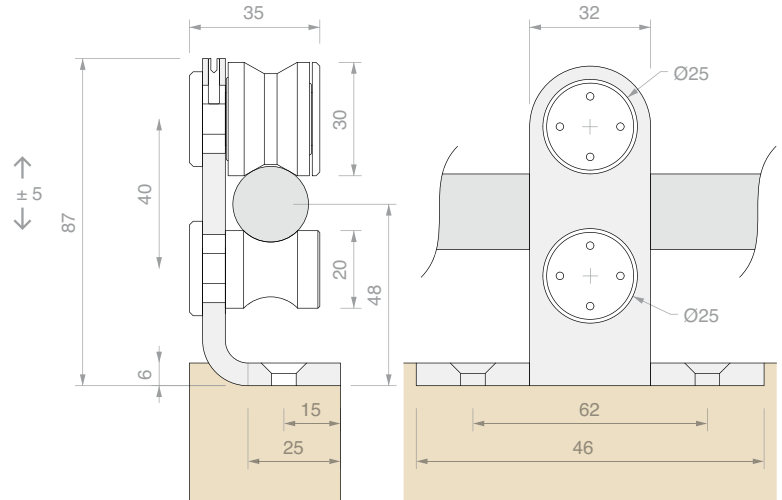


Art.	Description	For door panels	Max. load	Qty
GNW35004	Wall fixing sliding door kit for 2 door panels	≥ 30 mm	80 + 80 kg	1 Pc



ROLLER

Material: AISI 304 stainless steel
 Recommended tool for tightening Art. UT200
 Finish: /9 /15



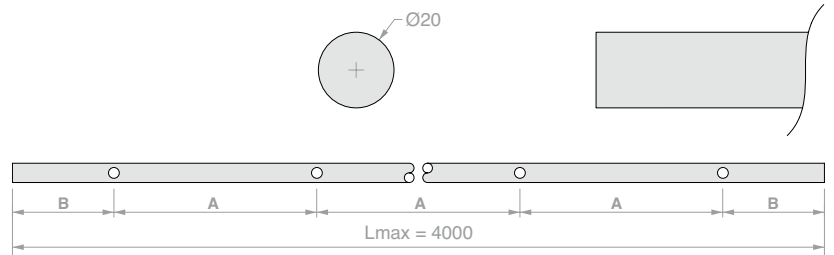
Art.	Description	Qty
GNW3550	Single roller	1 Pc
GNW3500	Kit of 2 rollers	1 Pc



DRILLED SOLID ROUND TRACK

Material: AISI 304 stainless steel
 Finish: /8 /15

Track drilling pattern:

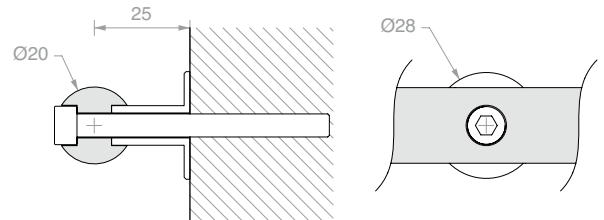


Art.	Length	No. holes	Dimensions	Qty
GLMTND20	2000 mm	5	A 450 mm B 100 mm	1 Pc
GLMTND30	3000 mm	6	A 560 mm B 100 mm	1 Pc
GLMTND40	4000 mm	7	A 633 mm B 100 mm	1 Pc
GLMBDLN15	cut to size	-	- -	1 m
GLMFORO	Hole for GLMBDLN15	1	cut to size cut to size	1 Pc



WALL FIXING

Material: AISI 304 stainless steel
 Finish: /9 /15

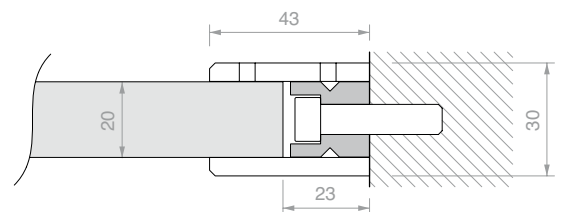


Art.	Description	Qty
GNW20	With M6 mm x 60 mm screws	1 Pc



SIDE WALL FIXING

Material: AISI 304 stainless steel
 Finish: /9 /15



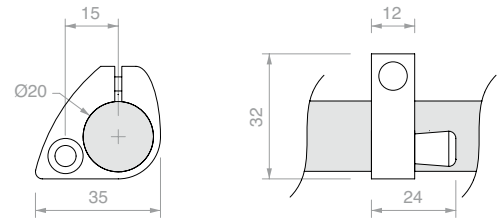
Art.	Qty
GLMDSTP	1 Pc



OVAL END STOP WITH RUBBER BUMPER

Material: AISI 304 stainless steel

Finish: /9 /15



Art.

GLM3023

Qty

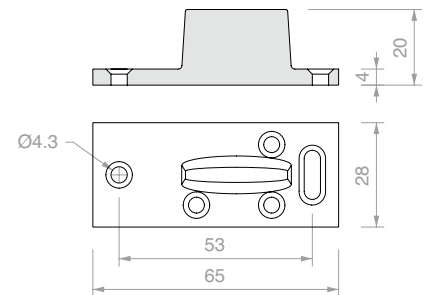
1 Pc



FLOOR GUIDE

Material: plastic

Finish: /6



Art.

057.3010.001

Qty

1 Pc



PIN WRENCH

Material: iron body, steel pins

The compass opening allows to operate with wide radiuses, for pair of holes with a centre distance between 9 mm and 55 mm

Art.

UT200

UTC200R

Description

Pin wrench with Ø1.9 mm pins

2 replacements pins Ø1.9 mm

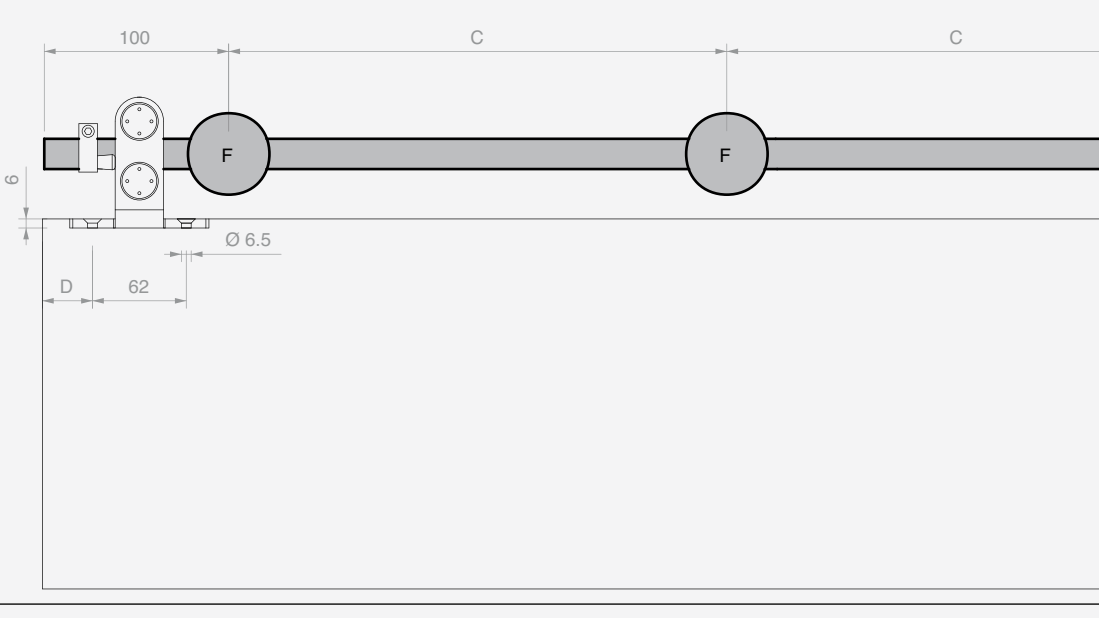
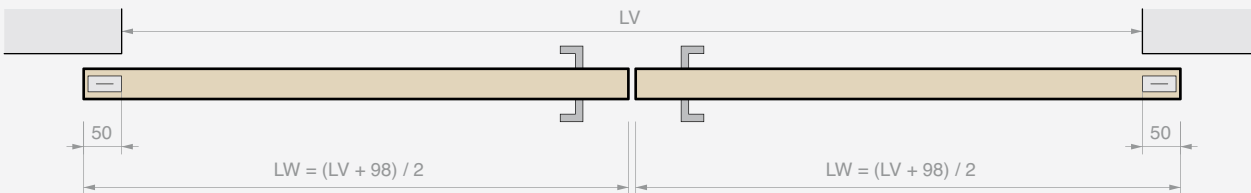
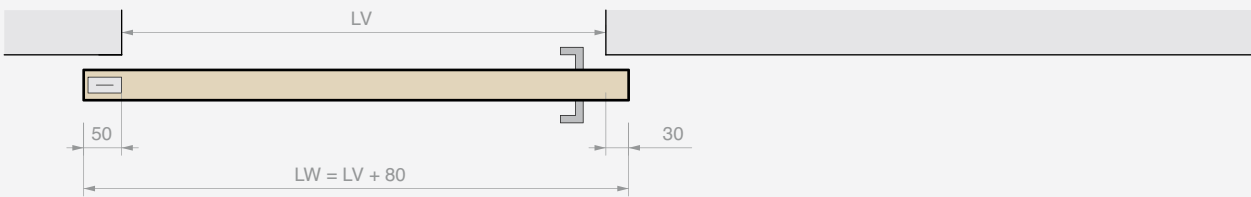
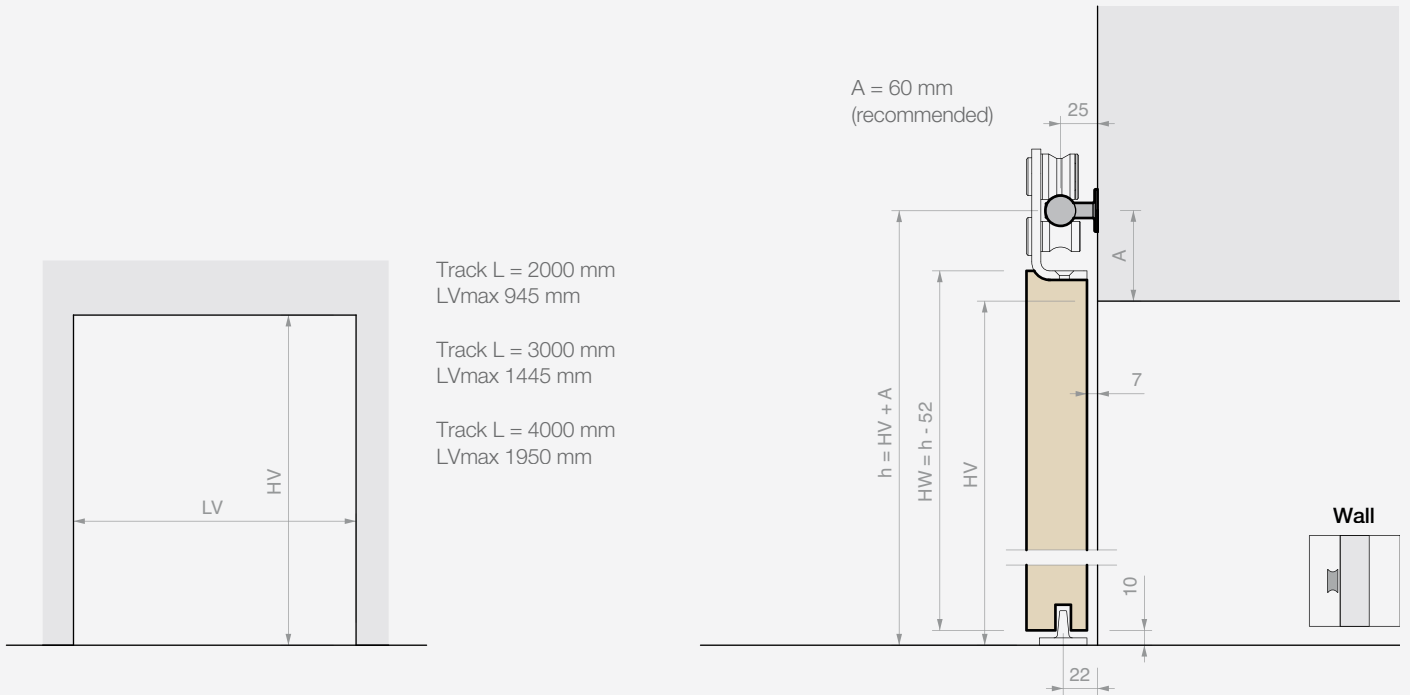
Qty

1 Pc

1 Pc



TRACK FIXING



Track L = 2000 mm
5 fixings (F)
C = 450 mm
D ≥ 45 mm

Track L = 3000 mm
6 fixings (F)
C = 560 mm
D ≥ 45 mm

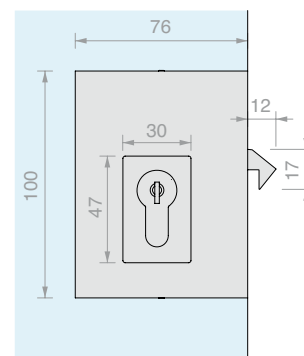
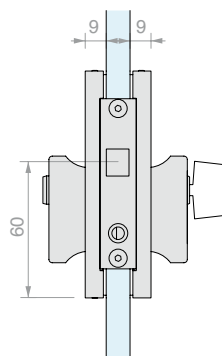
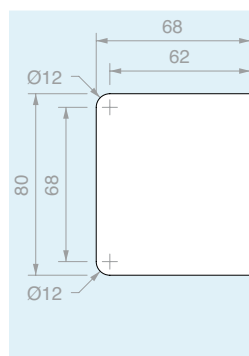
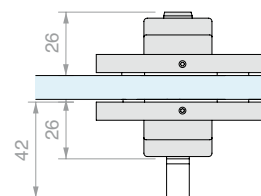
Track L = 4000 mm
7 fixings (F)
C = 633 mm
D ≥ 45 mm





LOCK FOR SLIDING DOORS WITH GRIP

Material: AISI 304 stainless steel
 Supplied with European cylinder and 3 keys
 Finish: /8 /15

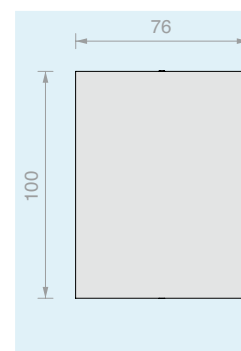
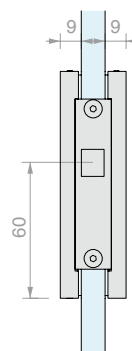
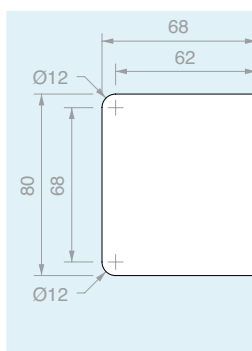
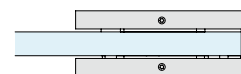


Art.	For glass	Lock	Key	Qty
SERSD915S	From 8 to 12 mm	Lock + lock	Different	1 Pc
SERSD915SU	From 8 to 12 mm	Lock + lock	Single	1 Pc
SERSD915P	From 8 to 12 mm	Door knob + lock	Single	1 Pc



GLASS COUNTERLOCK

Material: AISI 304 stainless steel
 Finish: /8 /15

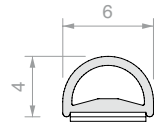


Art.	For glass	Qty
SERSD941	From 8 to 12 mm	1 Pc



ADHESIVE GASKET FOR GLASS EDGE

Material: TPE
 10 m roll
 Colour: transparent, black

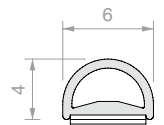


Art.	Colour	Qty
057.3080.001	Black	1 Pc
057.3080.002	Transparent	1 Pc



GLASS BUMPER ADHESIVE GASKET FOR GLASS EDGE

Material: TPE
 12 m roll supplied with transparent VHB high adhesion two-sided tape for -40°C to +150°C
 Colour: embossed



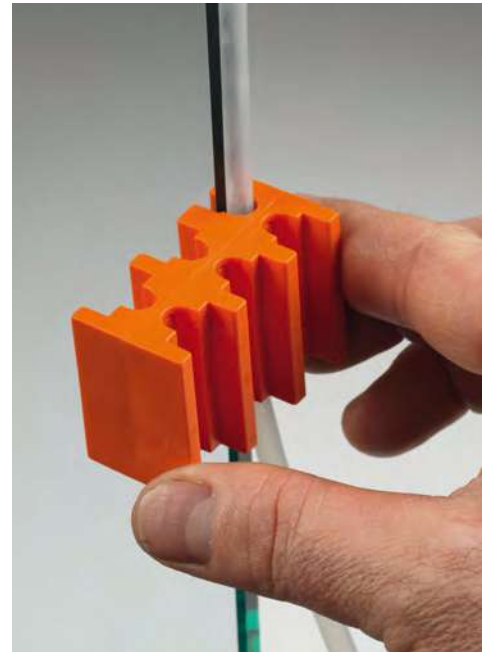
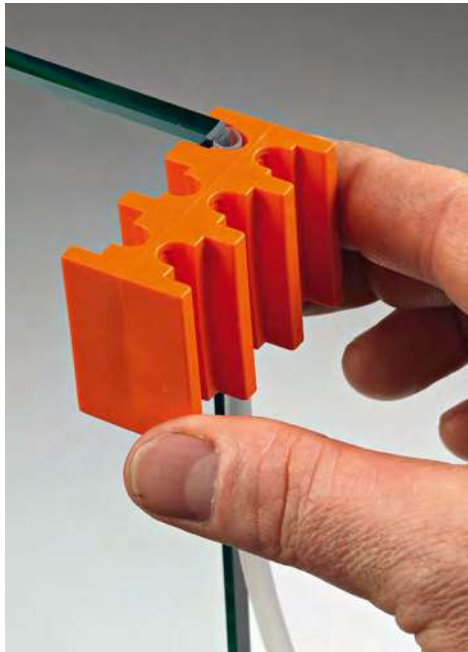
Art.	For glass	Qty
GSB12	From 8 to 13.5 mm	1 Pc



DEGREASING WIPE

Disposable isopropyl alcohol wipe

Art.	Q.ty
GSLSVL	1 Pc



GSB12 MOUNTING TEMPLATE

Plastic mounting template for positioning the glass at the centre of the edge along the whole length.
Material: Plastic

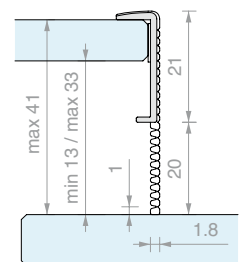
Art.
GSB831

Q.ty
1 Pc



ADHESIVE GLASS LIP SLIDE GASKET WITH LEAK PROTECTION LIP THAT CAN BE SHORTENED

Material: TPE
Pack of 4 pcs each 3000 m long, supplied with transparent VHB high adhesion two-sided tape for -40°C to +150°C
Colour: embossed



Art.
GSLS217

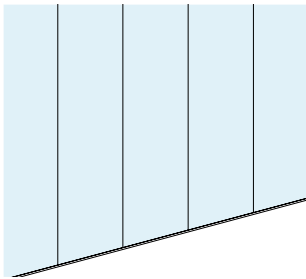
L
3000 mm

For glass
From **8 to 13.5 mm**

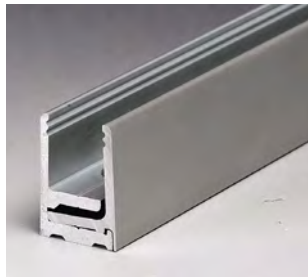
Qty
1 Pc

SYSTEMS FOR GLASS PARTITION WALLS

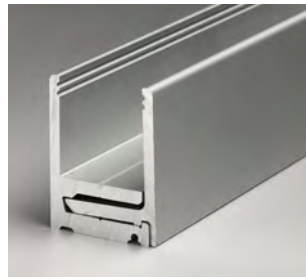




GLASS PARTITIONS



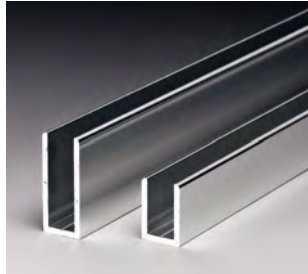
PROFIX
Page 392



SUPER PROFIX
Page 394



PROFIX 2
Page 396



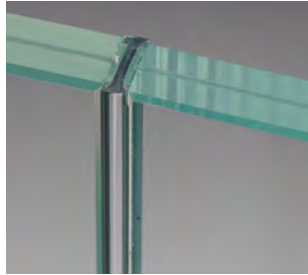
PROFALL
Page 400



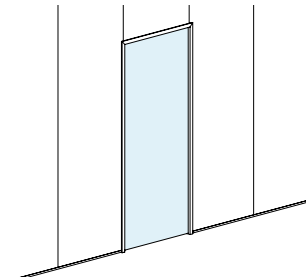
PROALUX
Page 402



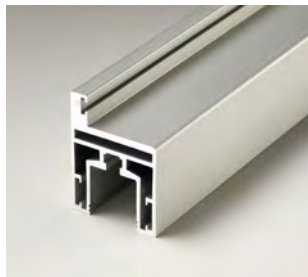
**LOAD-BEARING PROFILES
AND SPIDER**
Page 405



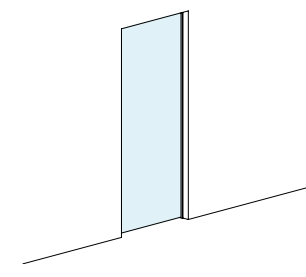
**POLYCARBONATE
PROFILES**
Page 416



GLASS DOOR
ON GLASS WALL



PROFIX DOOR
Page 418



GLASS DOOR
ON SOLID WALL



L- AND Z-SHAPED IMBOTTE
Page 432



M-SHAPED IMBOTTE
Page 446

GLASS PARTITIONS

Product range

Logli systems offer solutions for all types of glass partitions and for solid walls.

Choose from fixed or snap-on U-shaped channels, which can also be installed in complex situations.

It is also possible to install a swing-door system on a fixed glass wall.

Choose your preferred from a range of finishes, which can be customised (on demand).

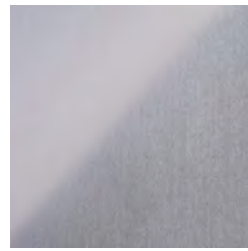




/6
Matt black



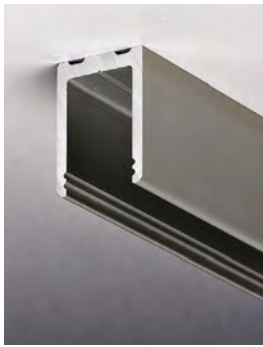
/88
Brushed steel effect
aluminium



/91
Polished aluminium



/97
Matt aluminium



PROFIX
Page 392



SUPER PROFIX
Page 394



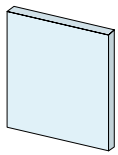
PROFIX 2
Page 396



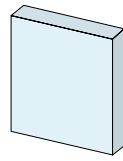
PROFALL
Page 400



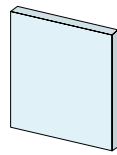
PROALUX
Page 402



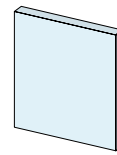
Panel thickness
8/13.5 mm



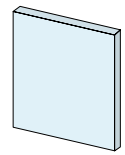
Panel thickness
15/21.5 mm



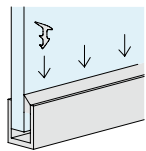
Panel thickness
6/13.5 mm



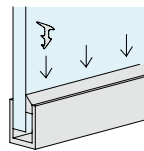
Panel thickness
8/13.5 mm



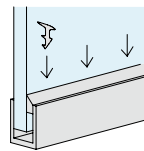
Panel thickness
8/12 mm



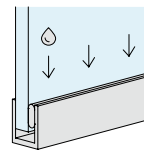
Seal



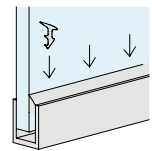
Seal



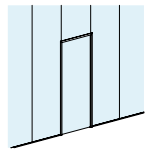
Seal



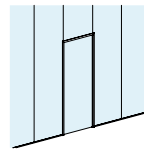
Adhesive



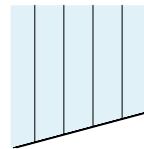
Seal



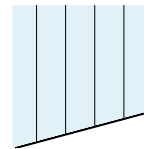
Compatible
with door system



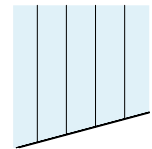
Compatible
with door system



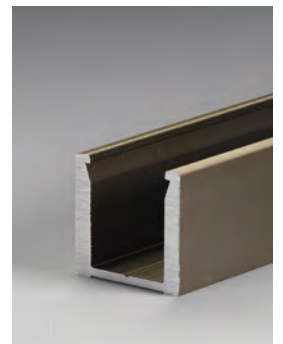
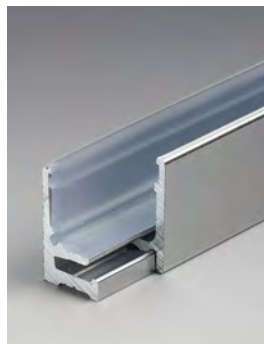
Not compatible
with door system

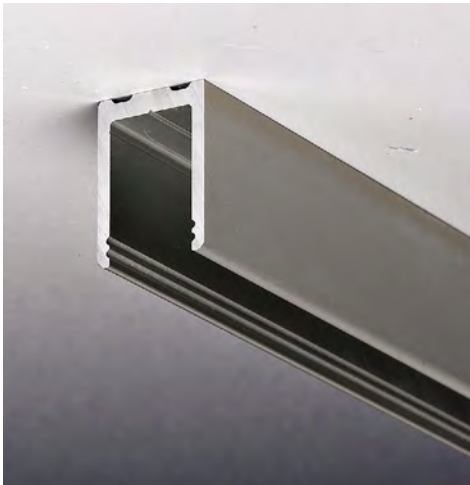
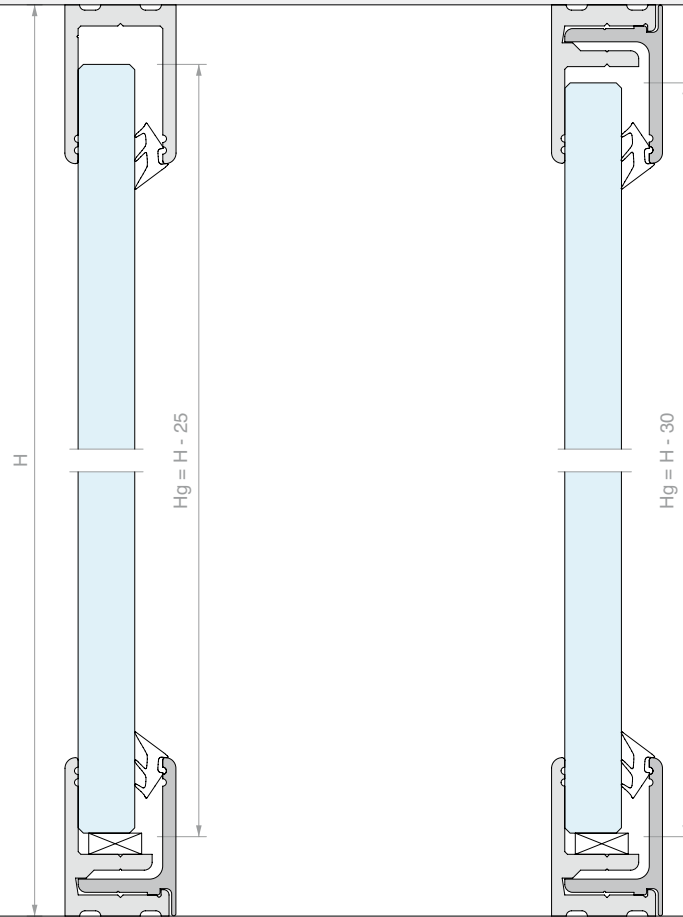


Not compatible
with door system



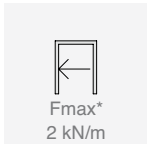
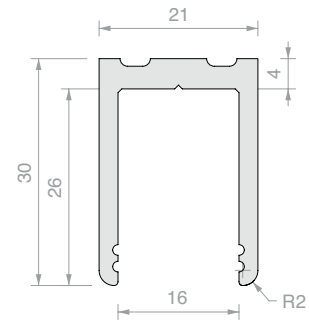
Not compatible
with door system





PROFIX U-SHAPED PROFILE

Material: Aluminium
 GTUP seal to be ordered separately
 Finish: /6 /10 /88 /91 /97
 */91 only available in L = 3000 mm

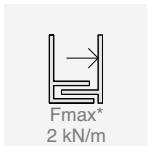
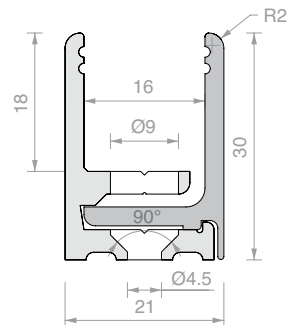


Art.	Length	For fixed glass	Qty
PROFIX1630	3000 mm	From 8 to 13.5 mm	1 Pc
PROFIX1660	6000 mm	From 8 to 13.5 mm	1 Pc

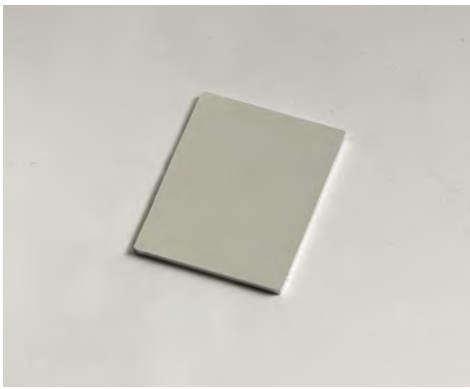


PROFIX PRE-DRILLED SNAP-ON PROFILE

Material: Aluminium
 GTUP seal to be ordered separately
 Finish: /6 /10 /88 /91 /97
 */91 only available in L = 3000 mm



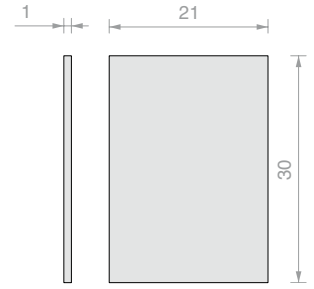
Art.	Length	For fixed glass	Qty
PROFIX2130	3000 mm	From 8 to 13.5 mm	1 Pc
PROFIX2160	6000 mm	From 8 to 13.5 mm	1 Pc



PROFIX CAP

Material: Aluminium

Finish: 

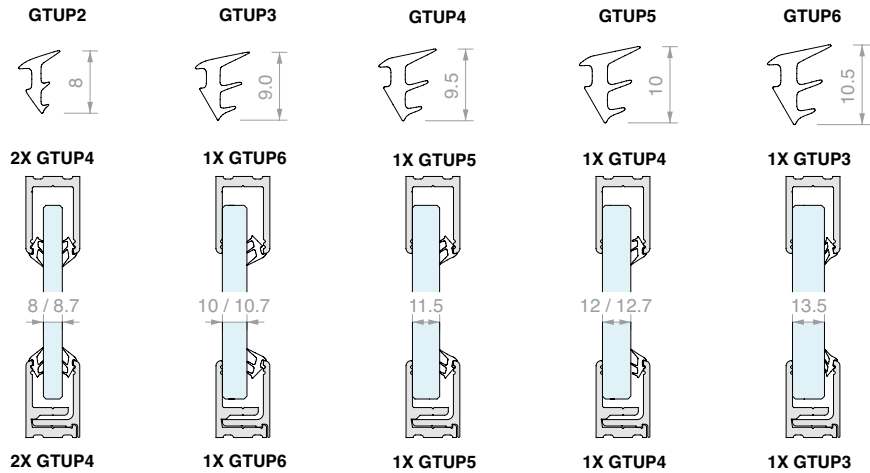


Art.	Qty
PROFIXTPU	1 Pc

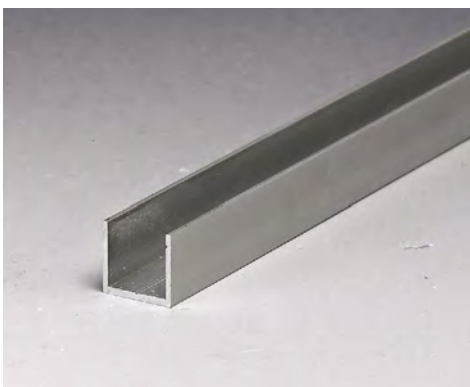


GLASS HOLDER SEAL

Material: PVC



Art.	Thickness	Colour	Qty	Art.	Thickness	Colour	Qty	Art.	Thickness	Colour	Qty
GTUP2	2 mm	Transparent	1 m	GTUP2G	2 mm	Embossed	1 m	GTUP2N	2 mm	Black	1 m
GTUP3	3 mm	Transparent	1 m	GTUP3G	3 mm	Embossed	1 m	GTUP3N	3 mm	Black	1 m
GTUP4	4 mm	Transparent	1 m	GTUP4G	4 mm	Embossed	1 m	GTUP4N	4 mm	Black	1 m
GTUP5	5 mm	Transparent	1 m	GTUP5G	5 mm	Embossed	1 m	GTUP5N	5 mm	Black	1 m
GTUP6	6 mm	Transparent	1 m	GTUP6G	6 mm	Embossed	1 m	GTUP6N	6 mm	Black	1 m

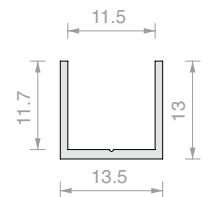


PROFIX WALL/GLASS U-SHAPED PROFILE

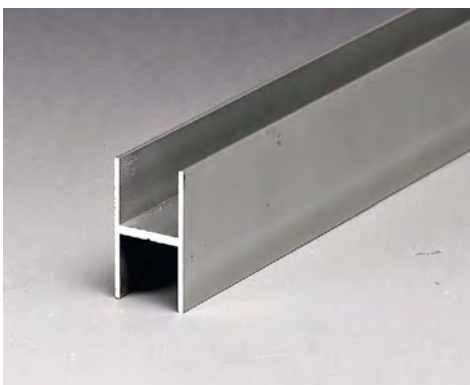
Material: Aluminium

Positioned between glass and wall, the profile must be inserted inside the U-shaped profiles

Finish: 



Art.	Length	Qty
PROFIX4272	3000 mm	1 Pc

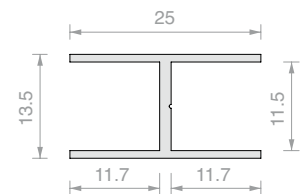


PROFIX GLASS/GLASS H-SHAPED PROFILE

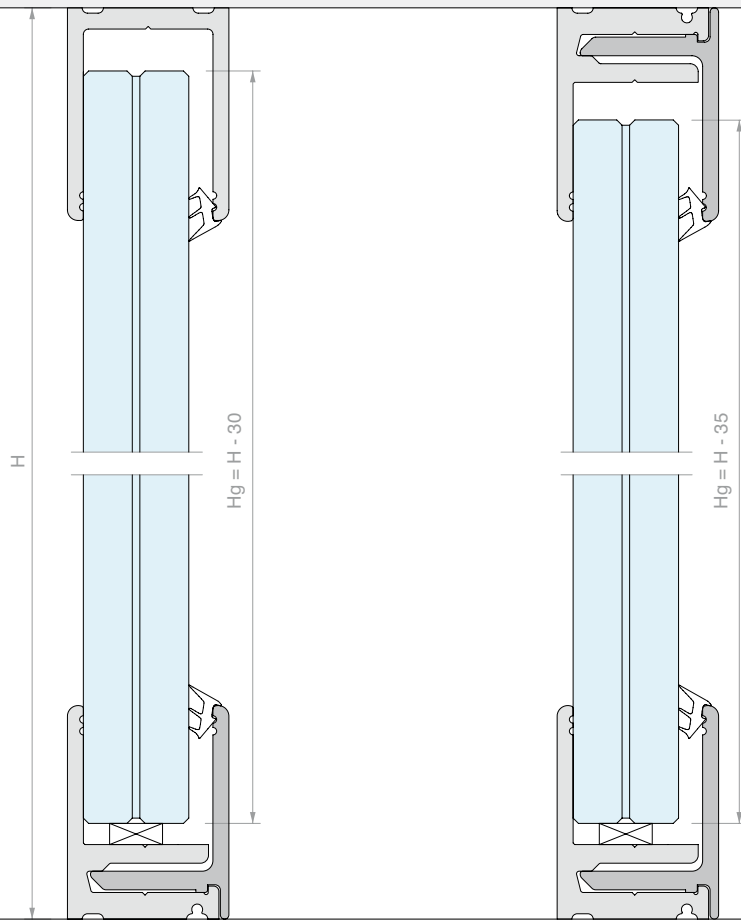
Material: Aluminium

Positioned between two glasses, the profile must be inserted inside the U-shaped profiles

Finish: 

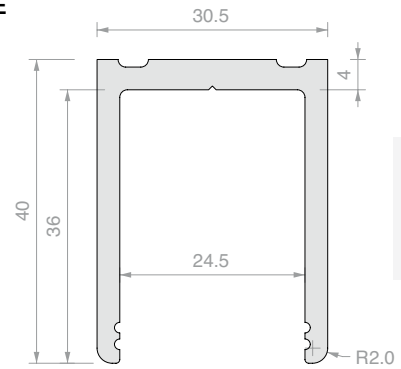


Art.	Length	Qty
PROFIX4125	3000 mm	1 Pc



SUPER PROFIX U-SHAPED PROFILE

Material: Aluminium
 GTUP gasket
 to be ordered separately
 Finish: /6 /10 /88 /91 /97
 */91 only available in L = 3000 mm

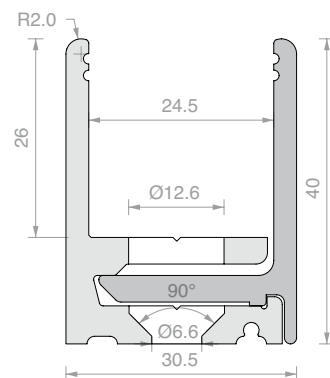


Art.	Length	For fixed glass	Qty
PROFIX2430	3000 mm	From 15 to 21.5 mm	1 Pc
PROFIX2460	6000 mm	From 15 to 21.5 mm	1 Pc

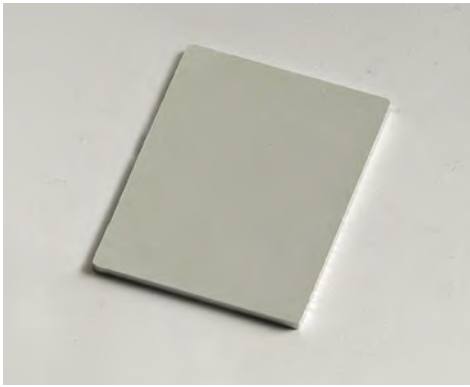


SUPER PROFIX PRE-DRILLED SNAP-ON PROFILE

Material: Aluminium
 GTUP gasket
 to be ordered separately
 Finish: /6 /10 /88 /91 /97
 */91 only available in L = 3000 mm



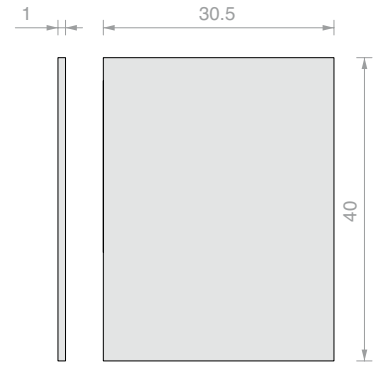
Art.	Length	For fixed glass	Qty
PROFIX3030	3000 mm	From 15 to 21.5 mm	1 Pc
PROFIX3060	6000 mm	From 15 to 21.5 mm	1 Pc



SUPER PROFIX CAP

Material: Aluminium

Finish: /6 /10 /88 /91 /97

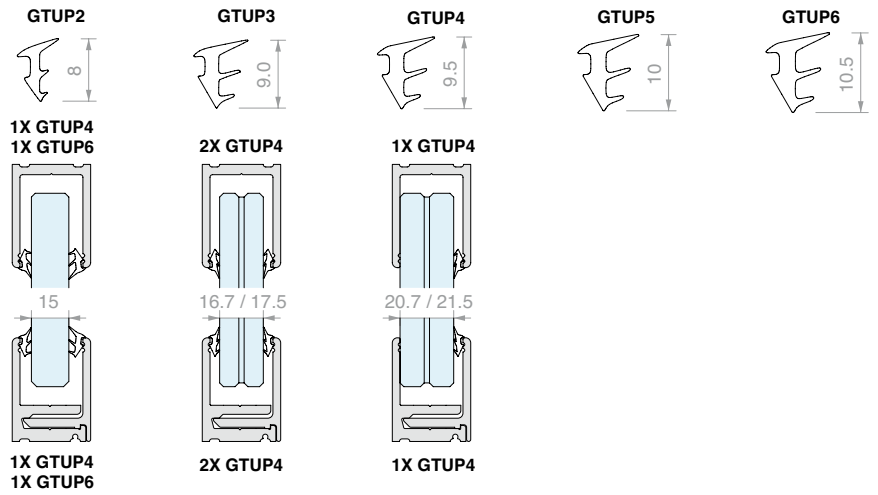


Art.	Qty
PROFIXTPU810	1 Pc

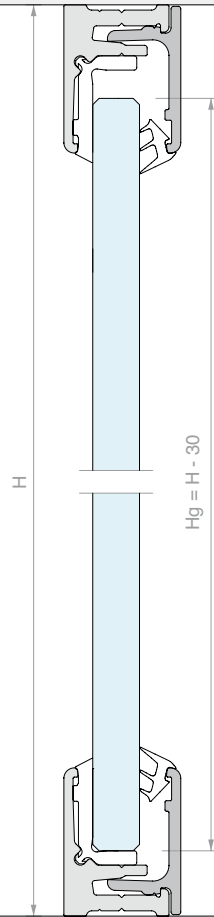


GLASS HOLDER SEAL

Material: PVC

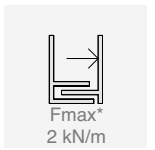
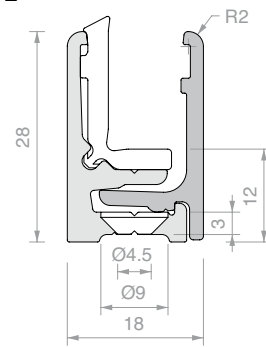


Art.	Thickness	Colour	Qty	Art.	Thickness	Colour	Qty	Art.	Thickness	Colour	Qty
GTUP2	2 mm	Transparent	1 m	GTUP2G	2 mm	Embossed	1 m	GTUP2N	2 mm	Black	1 m
GTUP3	3 mm	Transparent	1 m	GTUP3G	3 mm	Embossed	1 m	GTUP3N	3 mm	Black	1 m
GTUP4	4 mm	Transparent	1 m	GTUP4G	4 mm	Embossed	1 m	GTUP4N	4 mm	Black	1 m
GTUP5	5 mm	Transparent	1 m	GTUP5G	5 mm	Embossed	1 m	GTUP5N	5 mm	Black	1 m
GTUP6	6 mm	Transparent	1 m	GTUP6G	6 mm	Embossed	1 m	GTUP6N	6 mm	Black	1 m



PROFIX PRE-DRILLED SNAP-ON PROFIX 2

Material: Aluminium
 L-shaped seal included on one side
 GTUP seal to be ordered separately
 Finish: /6 /10 /88 /91 /97
 */91 only available in L = 3000 mm

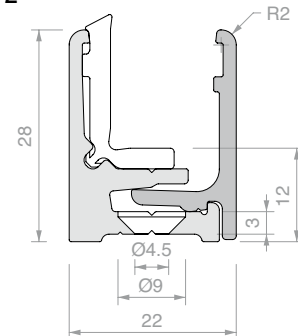


Art.	Length	For fixed glass	Qty
PROFIX1830	3000 mm	From 6 to 8.7 mm	1 Pc
PROFIX1860	6000 mm	From 6 to 8.7 mm	1 Pc



PROFIX PRE-DRILLED SNAP-ON PROFIX 2

Material: Aluminium
 L-shaped seal included on one side
 GTUP seal to be ordered separately
 Finish: /6 /10 /88 /91 /97
 */91 only available in L = 3000 mm

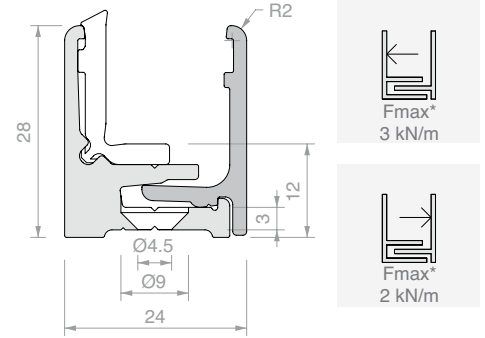


Art.	Length	For fixed glass	Qty
PROFIX2230	3000 mm	From 10 to 11.5 mm	1 Pc
PROFIX2260	6000 mm	From 10 to 11.5 mm	1 Pc

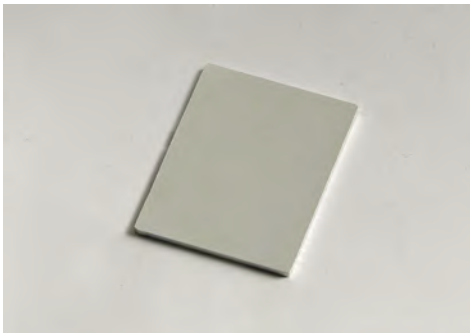


PROFIX PRE-DRILLED SNAP-ON PROFIX 2

Material: Aluminium
 L-shaped seal included on one side
 GTUP seal to be ordered separately
 Finish: /6 /10 /88 /91 /97
 */91 only available in L = 3000 mm

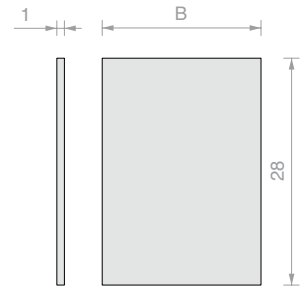


Art.	Length	For fixed glass	Qty
PROFIX2530	3000 mm	From 12 to 13.5 mm	1 Pc
PROFIX2560	6000 mm	From 12 to 13.5 mm	1 Pc

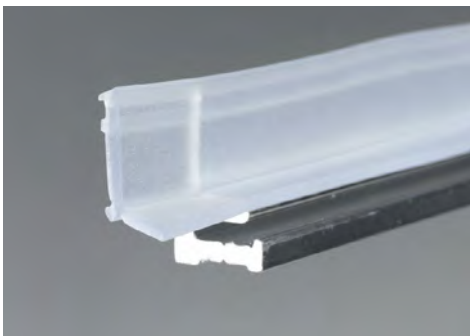


PROFIX 2 CAP

Material: Aluminium
 Finish: /6 /10 /88 /91 /97

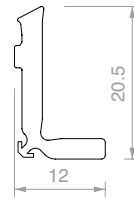


Art.	B	Qty
PROFIXTP18	18 mm	1 Pc
PROFIXTP22	22 mm	1 Pc
PROFIXTP25	24 mm	1 Pc



L-SHAPED SEAL FOR PROFIX 2

Material: PVC, embossed

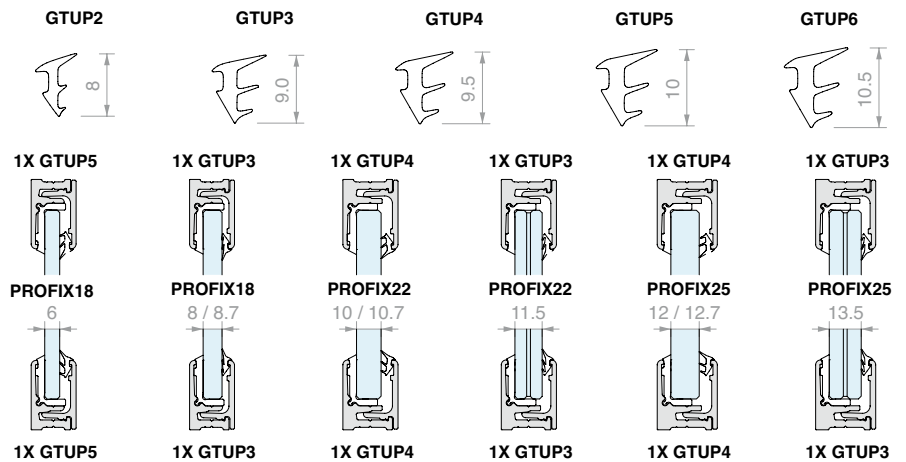


Art.	Qty	Art.	Description	Qty
PROFIXG	1 m	UTR65	Wheel tool	1 Pc



GLASS HOLDER SEAL

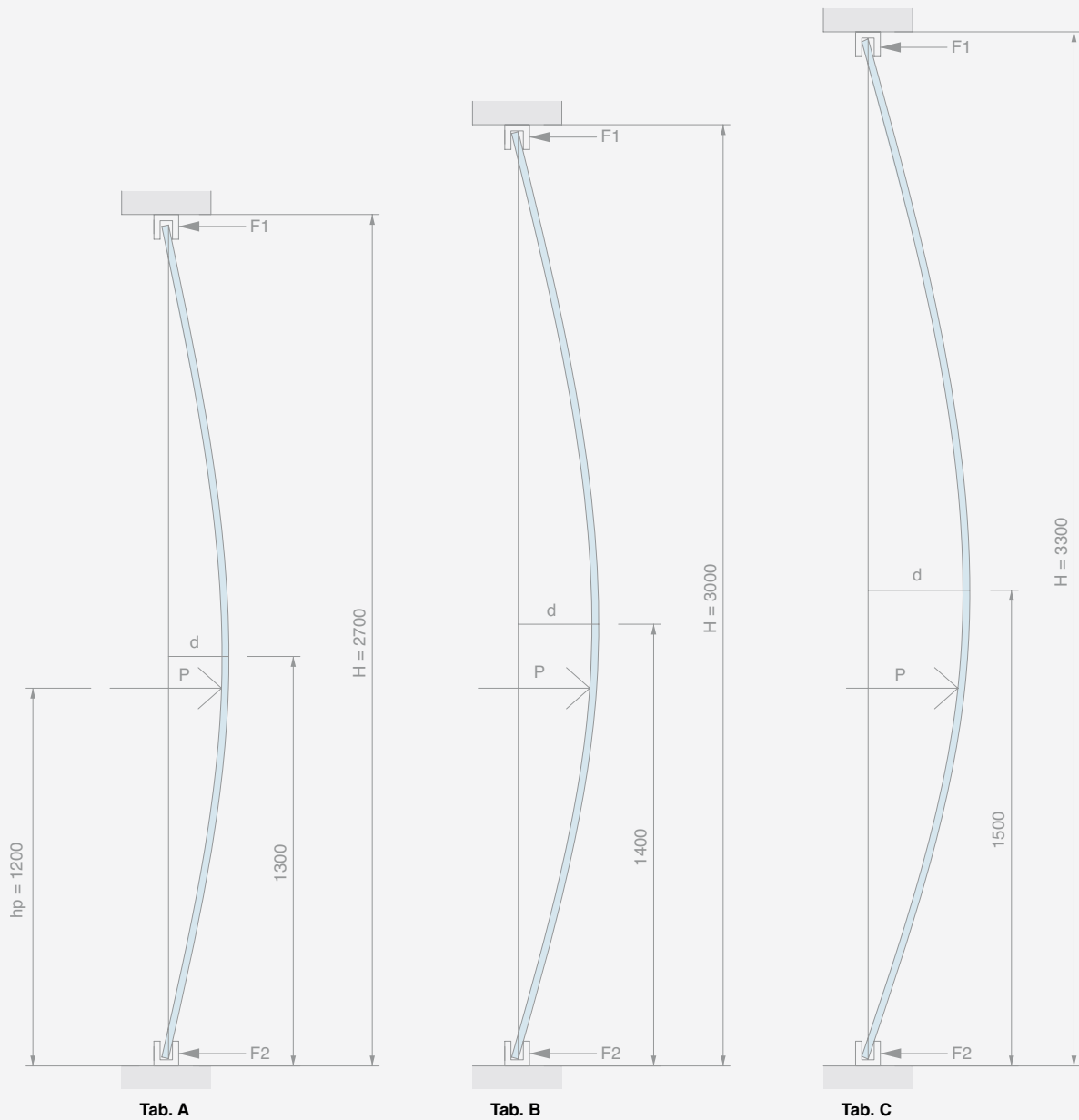
Material: PVC



Art.	Thickness	Colour	Qty	Art.	Thickness	Colour	Qty	Art.	Thickness	Colour	Qty
GTUP2	2 mm	Transparent	1 m	GTUP2G	2 mm	Embossed	1 m	GTUP2N	2 mm	Black	1 m
GTUP3	3 mm	Transparent	1 m	GTUP3G	3 mm	Embossed	1 m	GTUP3N	3 mm	Black	1 m
GTUP4	4 mm	Transparent	1 m	GTUP4G	4 mm	Embossed	1 m	GTUP4N	4 mm	Black	1 m
GTUP5	5 mm	Transparent	1 m	GTUP5G	5 mm	Embossed	1 m	GTUP5N	5 mm	Black	1 m
GTUP6	6 mm	Transparent	1 m	GTUP6G	6 mm	Embossed	1 m	GTUP6N	6 mm	Black	1 m

The following numerical analysis has been conducted considering a linear design force P applied at a height $h_P = 120$ cm from the floor.

The resulting values set out in the tables are calculated considering a continuous upper and lower constraint.



*The data provided have been obtained using numerical models under EN 1999-1-1 and refer to the maximum applicable load, F_{max} , at the Ultimate Limit State (ULS), for installations with a fixing center to center distance of 300 mm. The fastening of the screws to the structure must be checked separately: the information shown refers exclusively to the strength of the aluminium profiles. The stress transmitted by the glass panels is considered to be distributed horizontally across the vertical internal surface of the profile. Where a seal is included, the force is considered to be transferred from the glass to the profile through the compression of the seal. For more detailed information, contact the Logli Saint-Gobain technical office.

For walls of height H which are simply supported on the bottom and top side, forces F_1 and F_2 on profiles can be calculated using the following formulae:

$$F_1 = \frac{P \cdot h_P}{H}$$

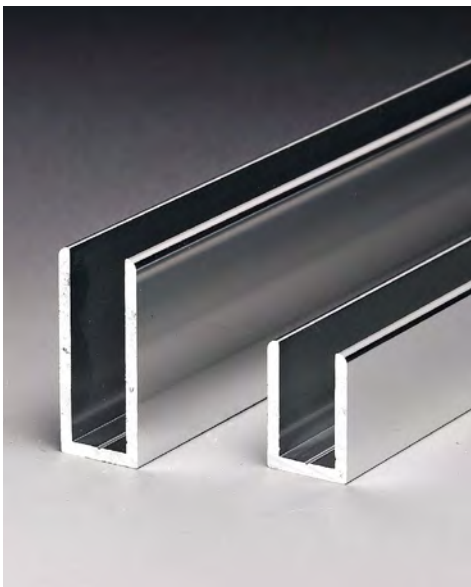
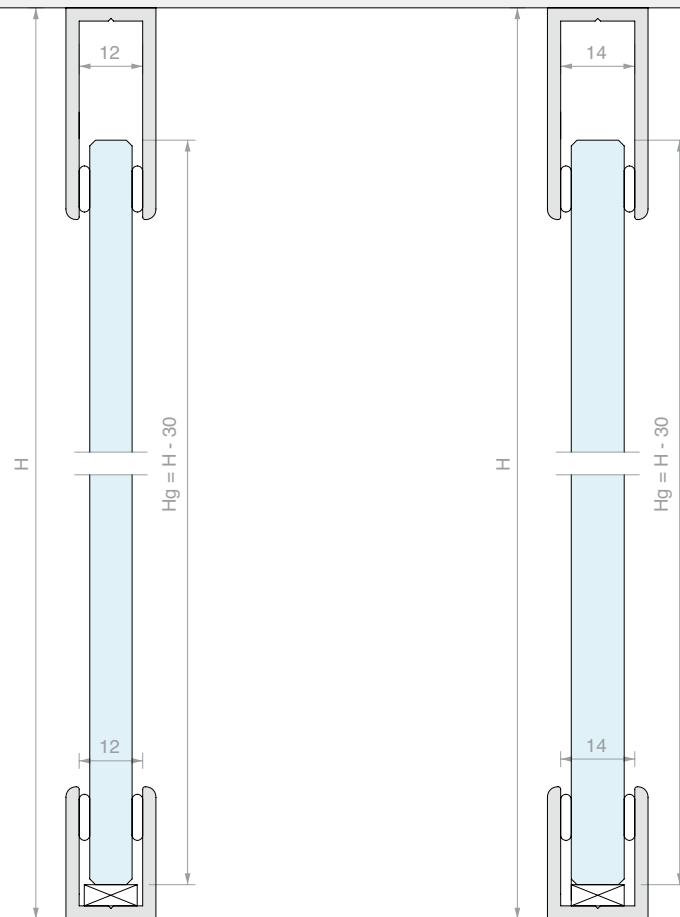
$$F_2 = \frac{P \cdot (H - h_P)}{H}$$

The recommended design values F_1 and F_2 for the individual profiles can be found on the respective pages of the articles.



	Table A H. 2700 mm		Table B H. 3000 mm		Table C H. 3300 mm	
	Pmax ULS [kN/m]	d (Pmax) [mm]	Pmax ULS [kN/m]	d (Pmax) [mm]	Pmax ULS [kN/m]	d (Pmax) [mm]
5+5/0.76 float PVB	0.44	26	0.41	31	0.39	37
5+5/0.76 float DG41	0.47	26	0.44	32	0.41	38
6+6/0.76 float PVB	0.62	22	0.57	27	0.54	32
6+6/0.76 float DG41	0.66	22	0.61	27	0.58	32
8+8/1.52 float PVB	1.12	17	1.04	21	0.99	24
8 mm tempered	1.27	166	1.18	203	1.11	243
8+8/1.52 float DG41	1.29	17	1.20	21	1.13	25
10+10/1.52 float PVB	1.69	15	1.58	18	1.50	21
10 mm tempered	1.96	133	1.82	162	1.72	194
10+10/1.52 float DG41	1.99	14	1.84	17	1.73	20
5+5/0.76 tempered PVB	2.10	123	1.96	149	1.85	177
5+5/0.76 tempered DG41	2.24	123	2.08	150	1.96	179
12 mm tempered	2.80	112	2.59	136	2.44	163
6+6/0.76 tempered PVB	2.93	105	2.72	127	2.58	151
6+6/0.76 tempered DG41	3.15	106	2.91	128	2.74	153
15 mm tempered	4.47	93	4.12	113	3.87	134
8+8/1.52 tempered PVB	5.30	83	4.94	99	4.69	116
8+8/1.52 tempered DG41	6.14	80	5.67	98	5.34	117
19 mm tempered	7.37	75	6.81	92	6.41	110
10+10/1.52 tempered PVB	8.03	70	7.51	83	7.13	97
10+10/1.52 tempered DG41	9.42	67	8.72	81	8.22	97

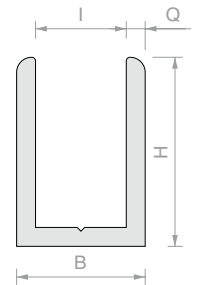
The information is provided for information purposes only, in order to assist designers with preliminary sizing and selection of the most suitable types of glass panels to suit their requirements. The calculation of the design load and the required rigidity must be made on a case-by-case basis, according to the actual installation conditions, the type of glass panel, and any local or national regulatory requirements. For glass panels which are simply installed without clamps or silicone, it is recommended that the relevant checks are made regarding the risk of detachment due to flexion under load. The results shown relate to the Ultimate Limit Station (ULS), applying a safety factor of 1.5 to the loads and obtained from calculations carried out according to EN 16612. For laminated glass with a rigid interlayer, the Saflex® DG Structural Interlayer (DG41) has been considered, for PVB a commonly used product has been considered, considering a shear modulus values of $G = 0.84$ MPa. The loads are considered to be applied at a temperature of 20°C for a duration of 30 seconds.



PROFALL U-SHAPED PROFILE

Material: Aluminium

Finish: /6 /88 /91 /97



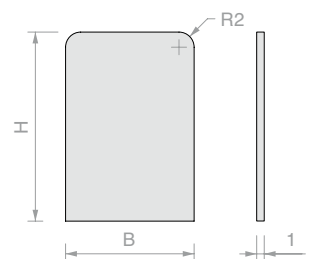
Art.	H	B	I	Q	Length	Qty
PROFALL1225	25 mm	17 mm	12 mm	2.5 mm	3000 mm	1 Pc
PROFALL1240	40 mm	17 mm	12 mm	2.5 mm	3000 mm	1 Pc
PROFALL1425	25 mm	19 mm	14 mm	2.5 mm	3000 mm	1 Pc
PROFALL1440	40 mm	19 mm	14 mm	2.5 mm	3000 mm	1 Pc
PROFALL0820	20 mm	11.5 mm	8.5 mm	1.5 mm	3000 mm	1 Pc
PROFALL1020	20 mm	13.5 mm	10.5 mm	1.5 mm	3000 mm	1 Pc



PROFALL CAPS

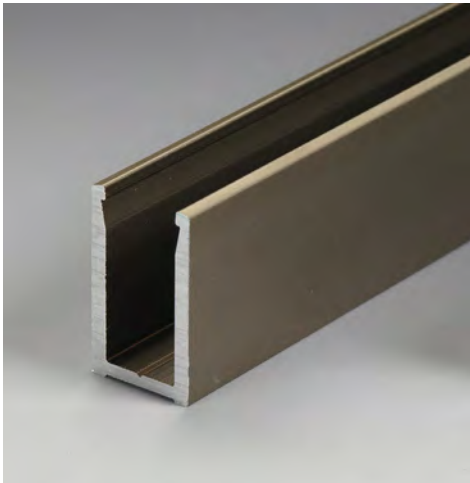
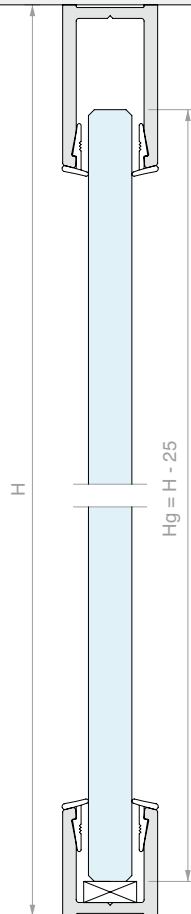
Material: Aluminium

Finish: /88 /91 /97 /R2



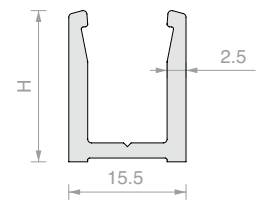
Art.	H	B	Qty
PROTAP1225	25 mm	17 mm	1 Pc
PROTAP1240	40 mm	17 mm	1 Pc
PROTAP1425	25 mm	19 mm	1 Pc
PROTAP1440	40 mm	19 mm	1 Pc
PROTAP0820	20 mm	11.5 mm	1 Pc
PROTAP1020	20 mm	13.5 mm	1 Pc



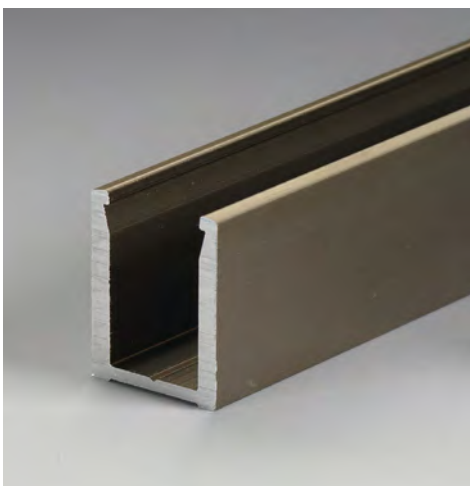


PROALUX U-SHAPED PROFILE

Material: Aluminium
 PROALUXG seal to be ordered separately for both sides
 Finish: /6 /88 /91 /97

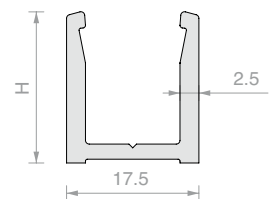


Art.	H	Length	For glass	Qty
PROALUX1520	20 mm	3000 mm	8 mm	1 Pc
PROALUX1530	30 mm	3000 mm	8 mm	1 Pc

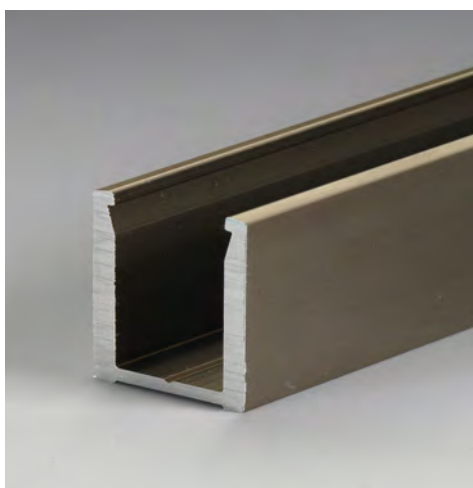


PROALUX U-SHAPED PROFILE

Material: Aluminium
 PROALUXG seal to be ordered separately for both sides
 Finish: /6 /88 /91 /97

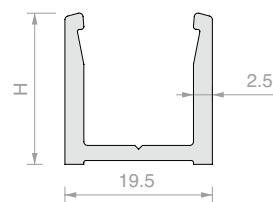


Art.	H	Length	For glass	Qty
PROALUX1720	20 mm	3000 mm	10 mm	1 Pc
PROFALL1730	30 mm	3000 mm	10 mm	1 Pc

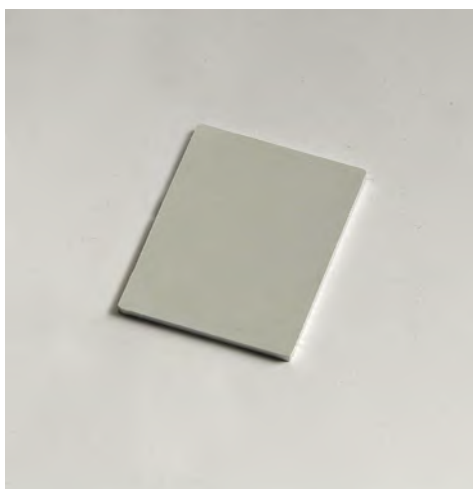


PROALUX U-SHAPED PROFILE

Material: Aluminium
 PROALUXG seal to be ordered separately for both sides
 Finish: /6 /88 /91 /97

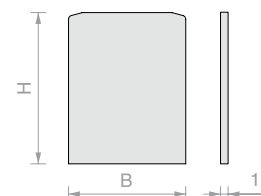


Art.	H	Length	For glass	Qty
PROALUX1920	20 mm	3000 mm	12 mm	1 Pc
PROALUX1930	30 mm	3000 mm	12 mm	1 Pc

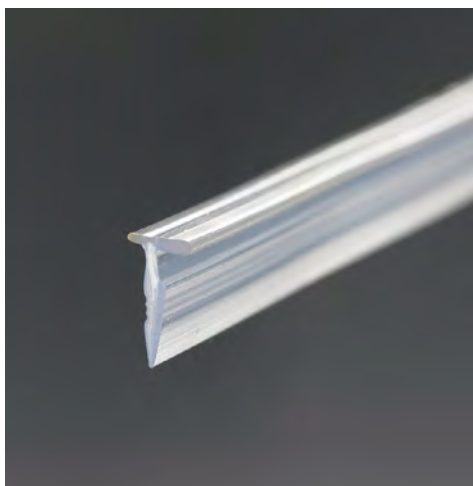


PROALUX CAPS

Material: Aluminium
 Finish: /88 /91 /97 /R2

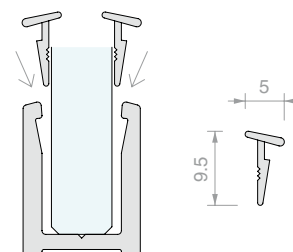


Art.	H	B	Qty
PROTAP1520	20 mm	15.5 mm	1 Pc
PROTAP1530	30 mm	15.5 mm	1 Pc
PROTAP1720	20 mm	17.5 mm	1 Pc
PROTAP1730	30 mm	17.5 mm	1 Pc
PROTAP1920	20 mm	19.5 mm	1 Pc
PROTAP1930	30 mm	19.5 mm	1 Pc



SEAL FOR PROALUX PROFILES

Material: Co-extruded PVC
 Colour: Transparent



Art.	Description	Qty
PROALUXG	-	1 m
PROALUXG400	400 m roll	1 Pc



WHEEL TOOL

Material: Plastic
 For fitting PROFIXG, GTUP and PROALUXG seals

Art.	Qty
UTR651	1 Pc





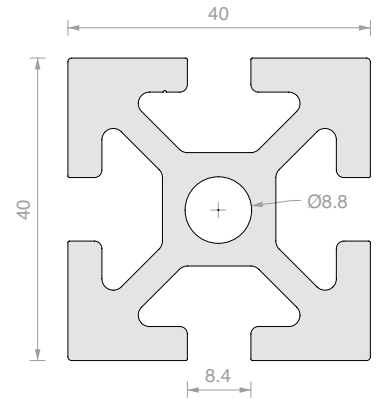
SQUARE PROFILE FOR LOAD-BEARING SYSTEMS

Material: Aluminium

Profile for modular systems to be installed to floor and ceiling, compatible with ELEKTRA and SPIDER HAND series systems.

Finish: /88 /97

Cross-section 8.5 cm²
 Weight 2.282 kg/m
 Moment of inertia Jx = Jy = 14.06 cm⁴



Art.	Description	Length	Qty
R7170	-	3000 mm	1 Pc
R7170FORO	Cut-to-size and holes on ends M10 x 30 mm	-	1 Pc



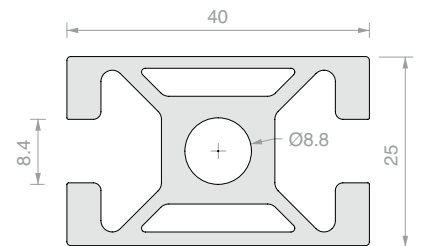
RECTANGULAR PROFILE FOR LOAD-BEARING SYSTEMS

Material: Aluminium

Profile for modular systems to be installed to floor and ceiling, or horizontally between two R7170 profiles, compatible with ELEKTRA and SPIDER HAND series systems.

Finish: /88 /97

Cross-section 4.6 cm²
 Weight 1.245 kg/m
 Moment of inertia Jx = 3.3 cm⁴
 Jy = 6.5 cm⁴



Art.	Description	Length	Qty
R7166	-	3000 mm	1 Pc
R7170FORO	Cut-to-size and holes on ends M10 x 30 mm	-	1 Pc
R7166FORO	Cut-to-size and through-holes on ends Ø7 mm	-	1 Pc

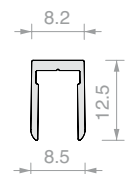


FINISHING PROFILE FOR LOAD-BEARING SYSTEMS

Material: Aluminium

Snap-on finishing profile for covering the joints of load-bearing systems

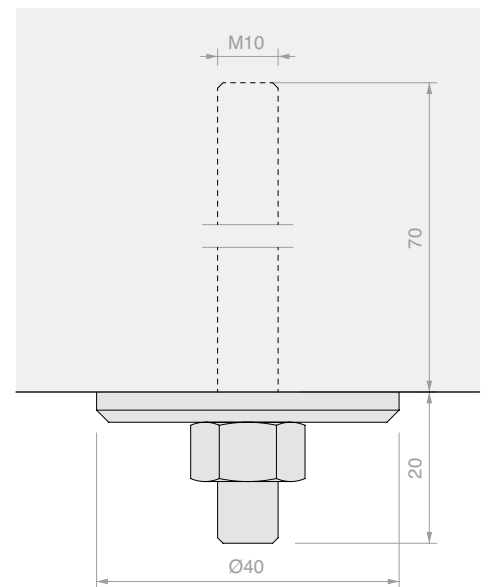
Finish: /88 /97



Art.	Length	Qty
R7150	3000 mm	1 Pc

**CEILING ANCHOR PLATE
FOR LOAD-BEARING SYSTEMS**

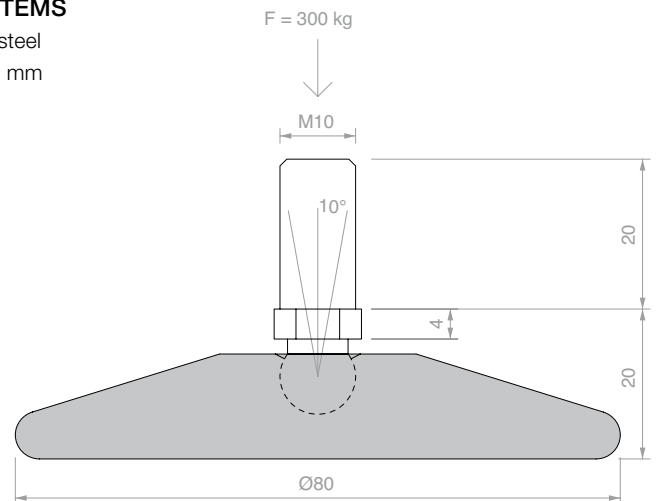
Material: AISI 304 steel
 Distance of profile from ceiling 42 mm
 Finish: /9



Art.	Qty
RMA1390	1 Pc

**ARTICULATED FOOT
FOR LOAD-BEARING SYSTEMS**

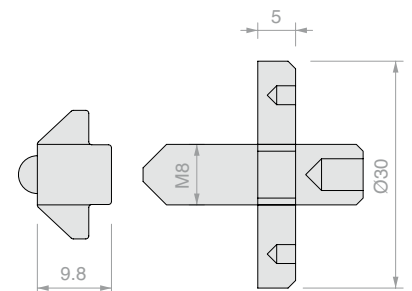
Material: Black nylon, stainless steel
 Distance of profile from floor 20 mm
 Finish: /6



Art.	Qty
RMA1382	1 Pc

**BALL SLIDER WITH RING**

Material: Galvanised steel, stainless steel
 Accessory for fixing articles of the ELEKTRA and SPIDERHAND series onto load-bearing profiles
 Finish: /9

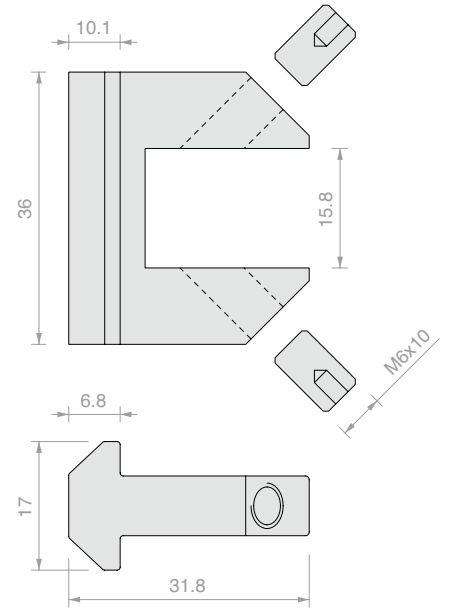


Art.	Qty
RMA1373	1 Pc



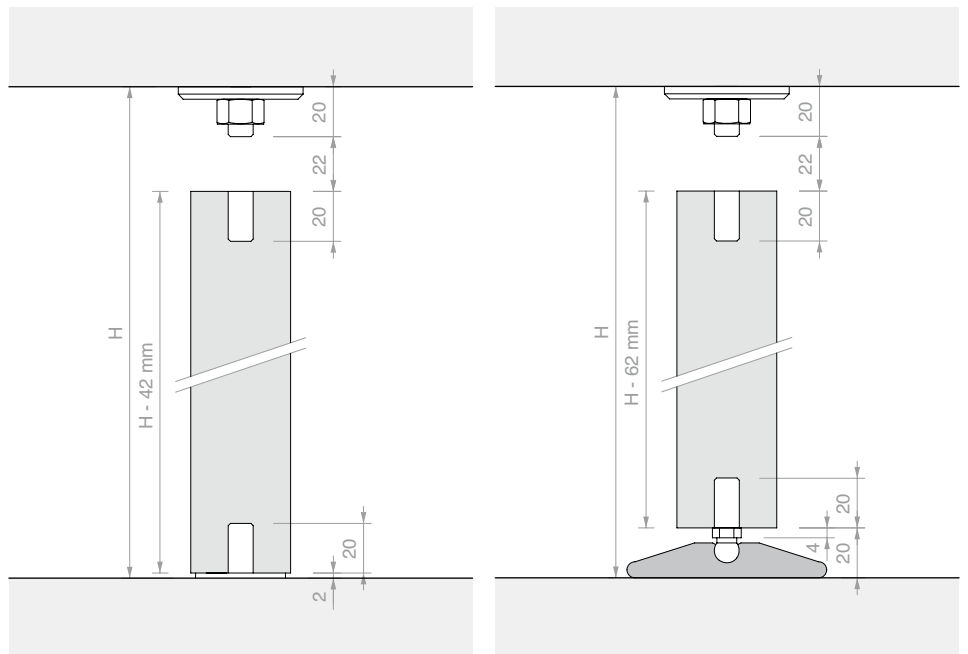
**U-BOLT CONNECTOR
FOR LOAD-BEARING SYSTEMS**

Material: Aluminium
 Accessory for connecting R7170 and R7166
 profiles perpendicularly.
 Requires processing R7166FORO
 at 8 mm from the edge
 Finish: /10



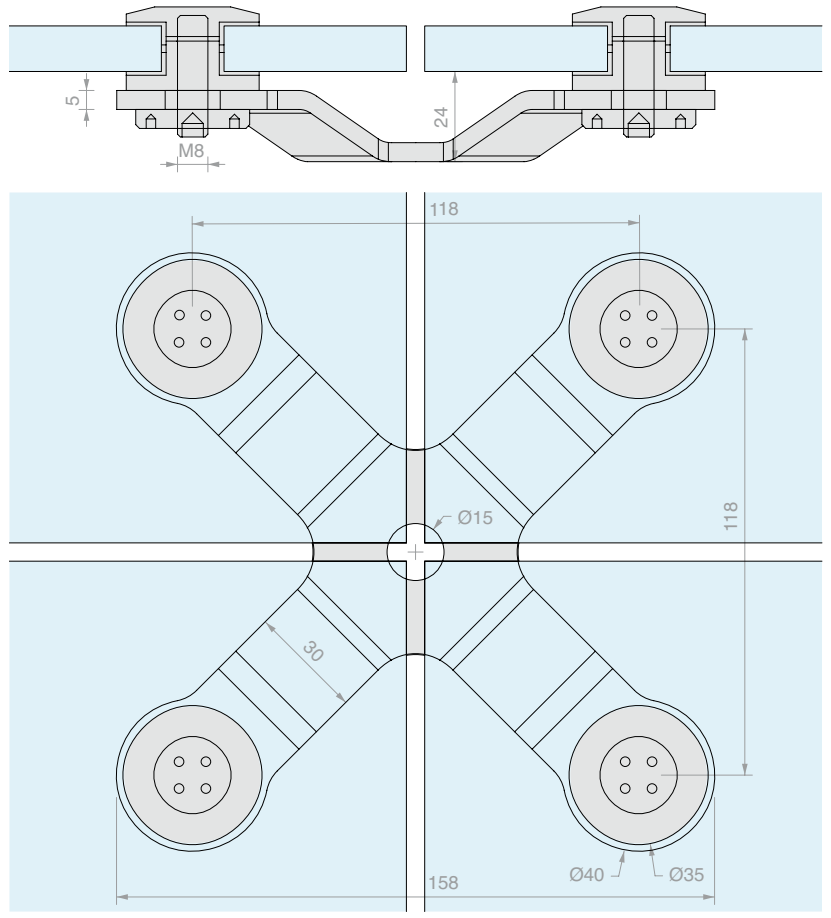
Art.	Qty
RMA1319	1 Pc

PROFILE CUTTING PATTERN



MOUNTING OF CROSSPIECES





4-WAY CONNECTOR

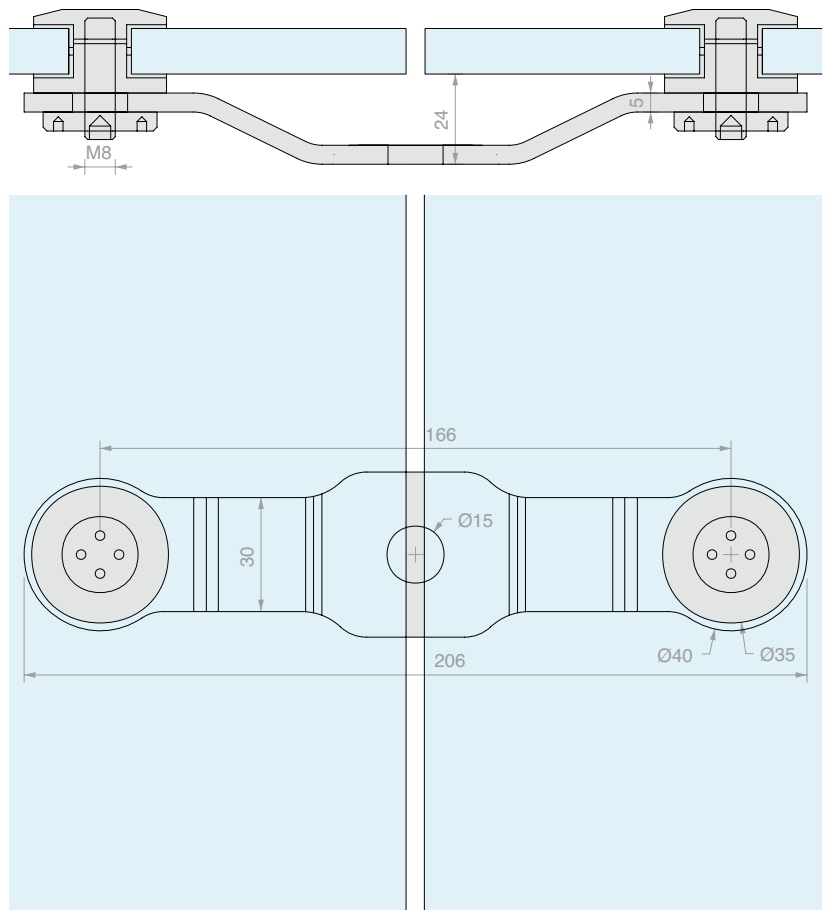
Material: AISI 304 steel

Recommended hole size Ø18 mm.

Recommended tool for installation Art. UT250.

Finish: /8

Art.	Description	For glass thickness	Qty
ELEKTRA436	With FIXBORK1	From 8 to 12.7 mm	1 Pc
ELEK436	Bracket only	-	1 Pc



2-WAY IN-LINE CONNECTOR

Material: AISI 304 steel

Recommended hole size Ø18 mm.

Recommended tool for installation Art. UT250.

Finish: /8

Art.	Description	For glass thickness	Qty
ELEKTRA218	With FIXBORK1	From 8 to 12.7 mm	1 Pc
ELEK218	Bracket only	-	1 Pc



2-WAY 90° CONNECTOR

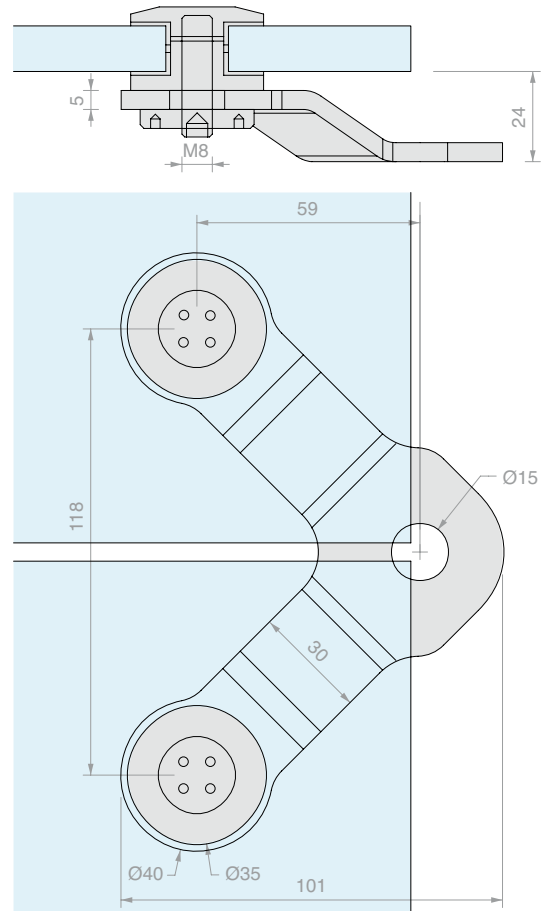
Material: AISI 304 steel

Recommended hole size Ø18 mm.

Recommended tool for installation Art. UT250.

Finish: /8

Art.	Description	For glass thickness	Qty
ELEKTRA290	With FIXBORK1	From 8 to 12.7 mm	1 Pc
ELEK290	Bracket only	-	1 Pc



1-WAY CONNECTOR

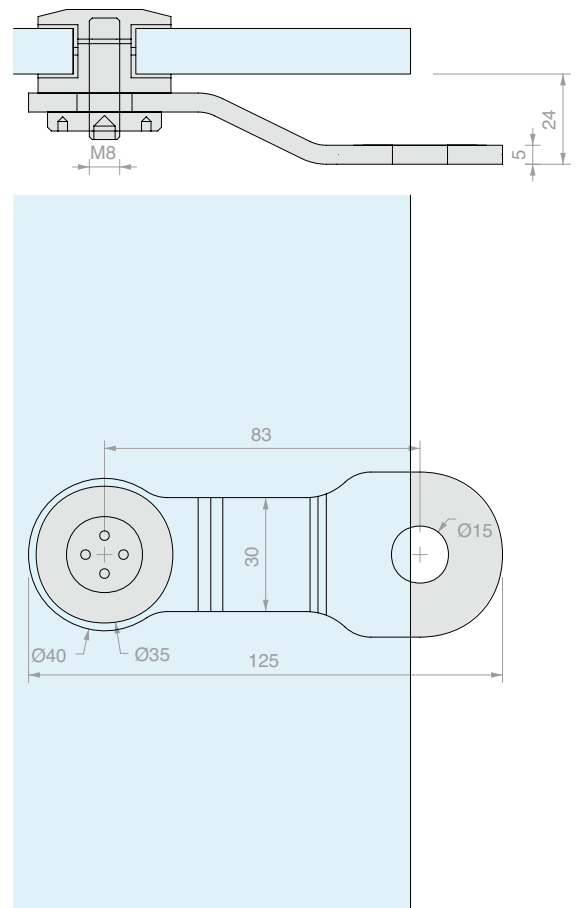
Material: AISI 304 steel

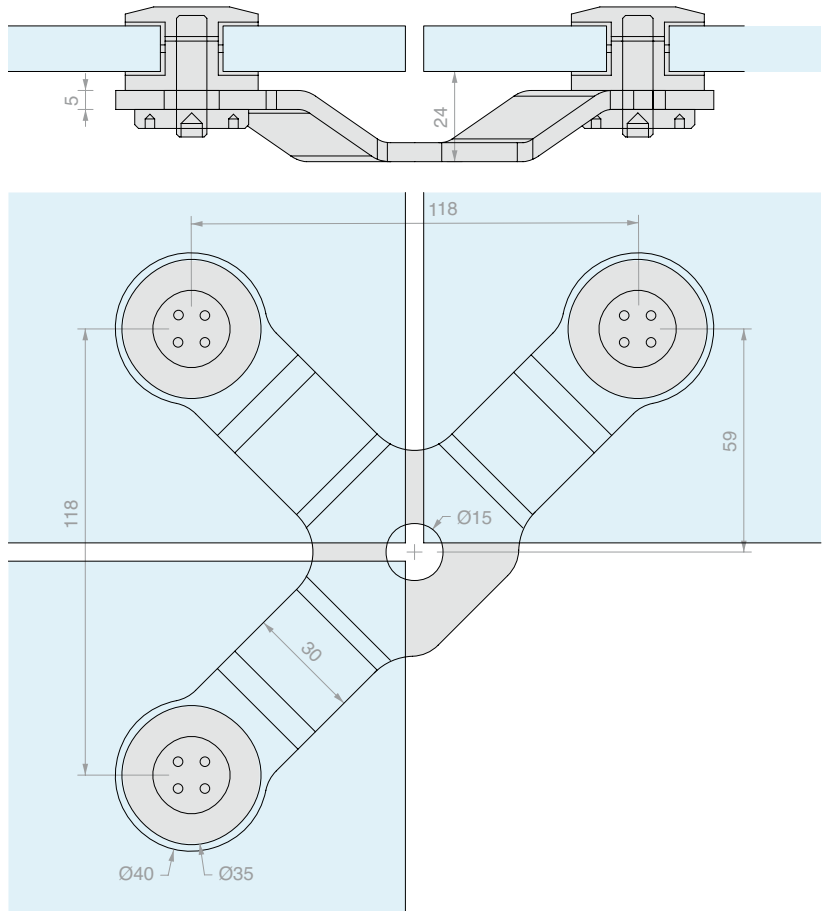
Recommended hole size Ø18 mm.

Recommended tool for installation Art. UT250.

Finish: /8

Art.	Description	For glass thickness	Qty
ELEKTRA100	With FIXBORK1	From 8 to 12.7 mm	1 Pc
ELEK100	Bracket only	-	1 Pc





3-WAY CONNECTOR

Material: AISI 304 steel

Recommended hole size Ø18 mm.

Recommended tool for installation Art. UT250.

Finish: /8

Art.	Description	For glass thickness	Qty
ELEKTRA390	With FIXBORK1	From 8 to 12.7 mm	1 Pc
ELEK390	Bracket only	-	1 Pc



FIXING STUD

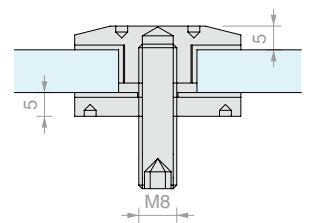
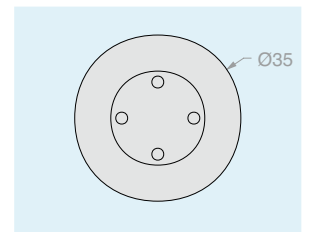
Material: AISI 304 steel

Supplied with M8 x 30 mm grub screw

Recommended glass hole size Ø18 mm

Recommended tool for installation Art. UT250.

Finish: /9



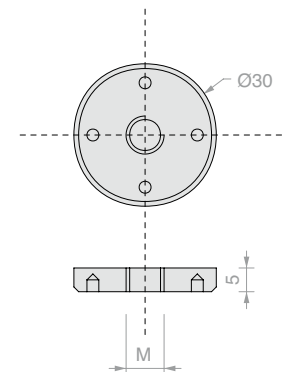
Art.	Qty
FIXBORK1	1 Pc



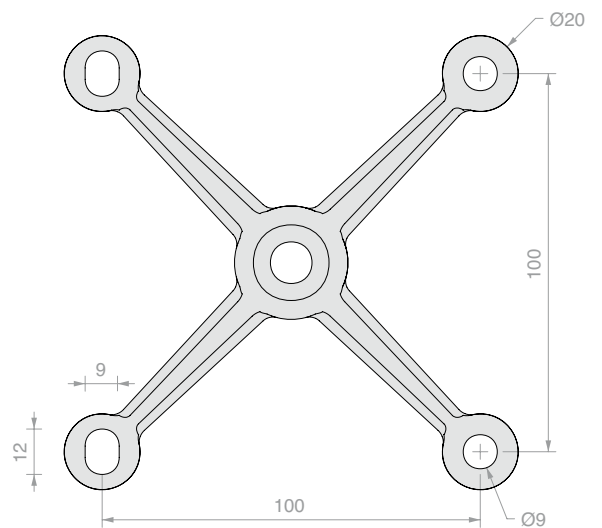
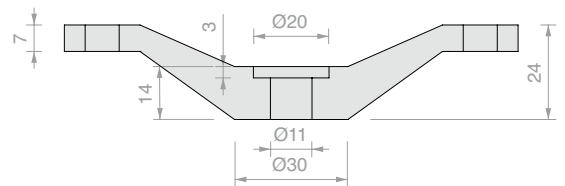
CLAMPING RING

Material: AISI 304 steel

Finish: /9



Art.	M	Qty
FIXGHIERA8	M8	1 Pc
FIXGHIERA10	M10	1 Pc



4-WAY CONNECTOR SPIDER HAND

Material: AISI 304 steel

Finish: /15

Art.
SPH100

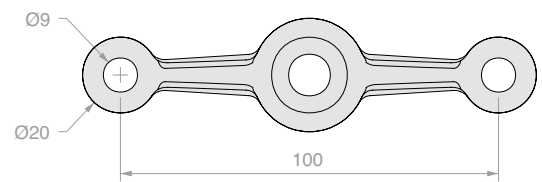
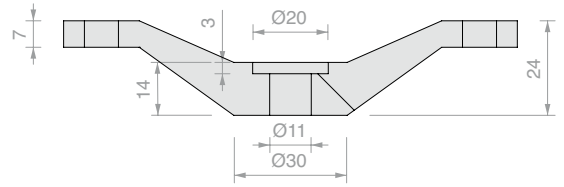
Qty
1 Pc



2-WAY IN-LINE CONNECTOR SPIDER HAND

Material: AISI 304 steel

Finish: /15



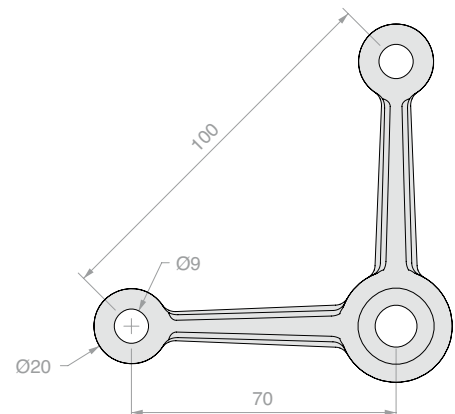
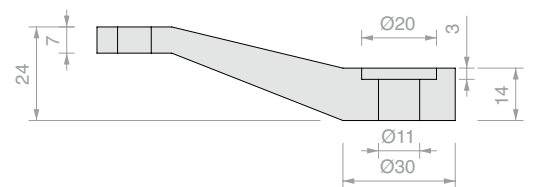
Art.	Qty
SPH102	1 Pc



2-WAY 90° CONNECTOR SPIDER HAND

Material: AISI 304 steel

Finish: /15



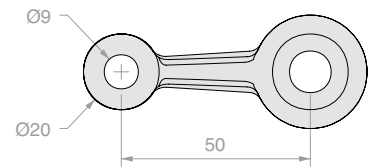
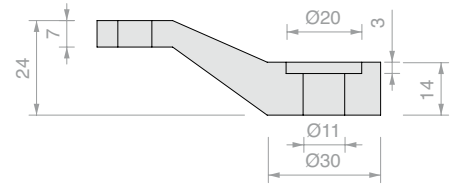
Art.	Qty
SPH104	1 Pc



1-WAY IN-LINE CONNECTOR SPIDER HAND

Material: AISI 304 steel

Finish: /15



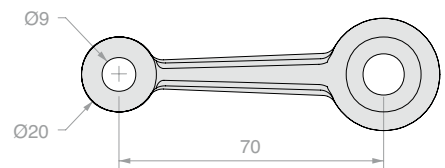
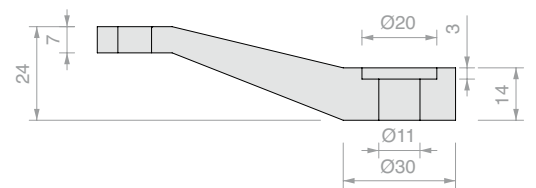
Art.	Qty
SPH106	1 Pc



1-WAY 45° CONNECTOR SPIDER HAND

Material: AISI 304 steel

Finish: /15



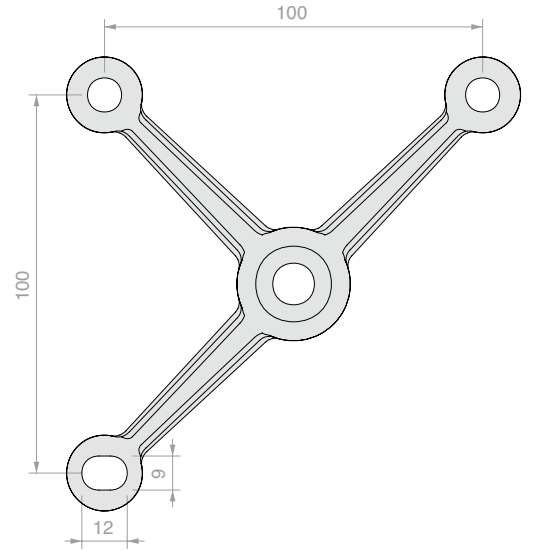
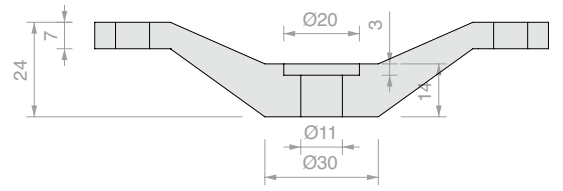
Art.	Qty
SPH108	1 Pc



3-WAY CONNECTOR SPIDER HAND

Material: AISI 304 steel

Finish: /15



Art.	Qty
SPH110	1 Pc

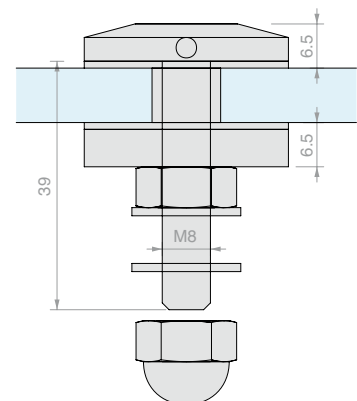
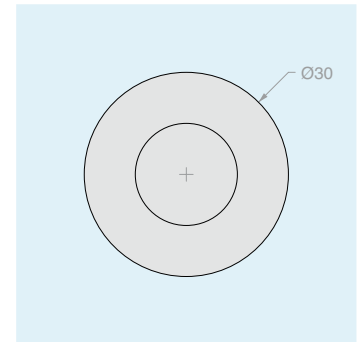


SPIDER HAND FIXING STUD

Material: AISI 304 steel

Recommended hole size Ø14 mm

Finish: /9



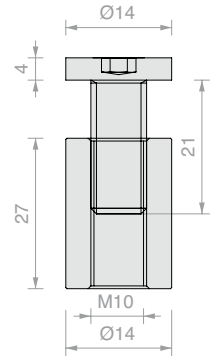
Art.	For glass	Qty
SPH114	From 10 to 13.5 mm	1 Pc

**SPACER CONNECTOR**

Material: AVP, AISI 304 steel

Spacer for connecting SPIDER HANDS
to a load-bearing structure

Finish: /9



Art.	Qty
SPH112	1 Pc

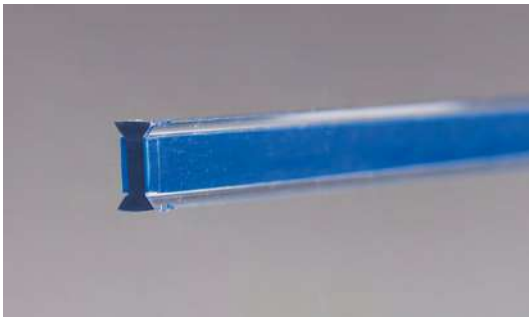
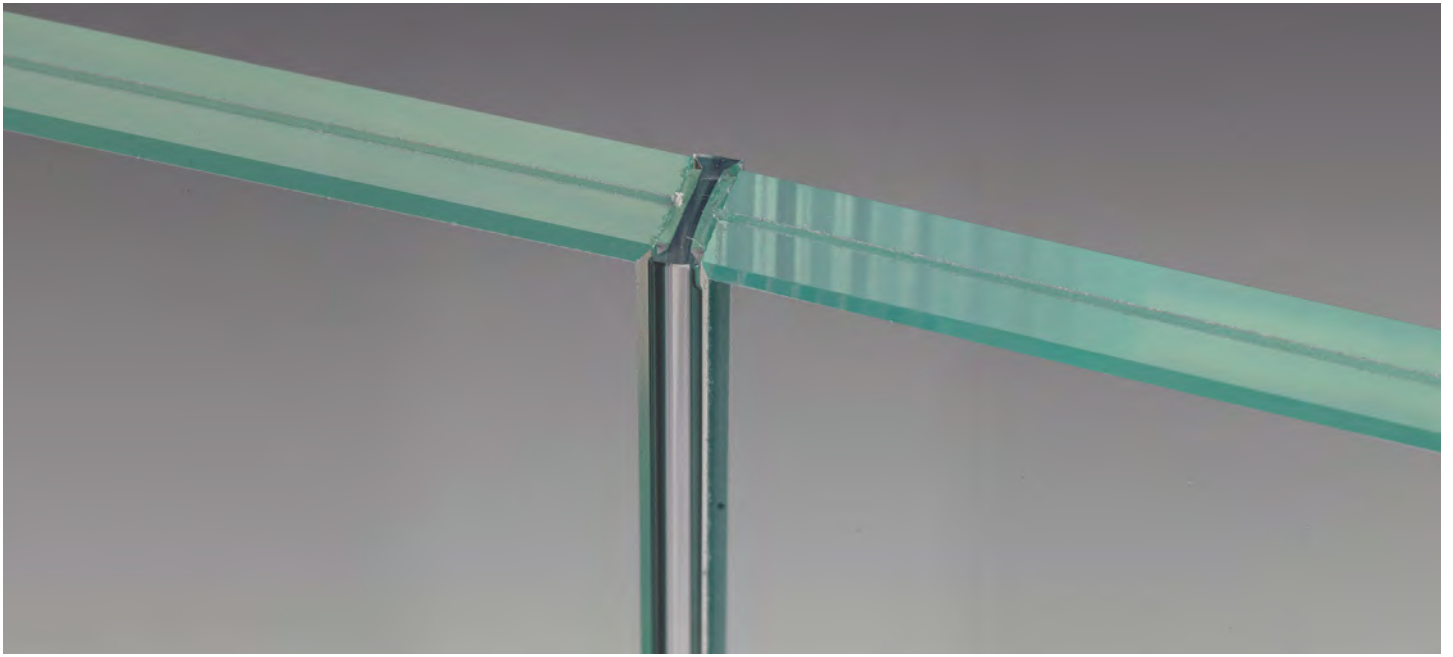
PIN WRENCH FOR BLIND HOLES

Material: iron body with toughened steel pins

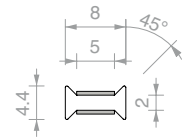


Art.	Description	Qty
UT250	Pin wrench with Ø2.4 mm pins	1 Pc
UTC250R	2 spare pins Ø2.4 mm	1 Pc

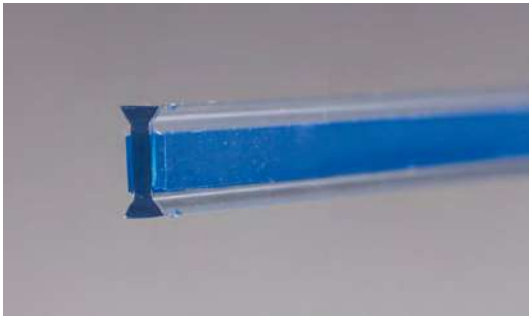


**2-WAY IN-LINE PROFILE WITH VHB**

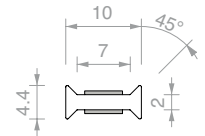
Material: Polycarbonate
Colour: Transparent



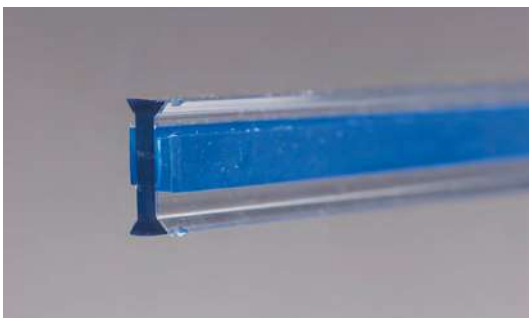
Art.	Length	For glass	Qty
PH50508	3000 mm	8 mm	1 Pc

**2-WAY IN-LINE PROFILE WITH VHB**

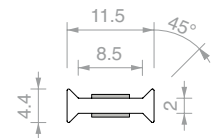
Material: Polycarbonate
Colour: Transparent



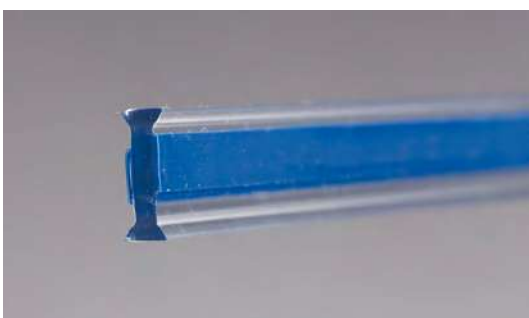
Art.	Length	For glass	Qty
PH50510	3000 mm	10 mm	1 Pc

**2-WAY IN-LINE PROFILE WITH VHB**

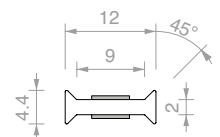
Material: Polycarbonate
Colour: Transparent



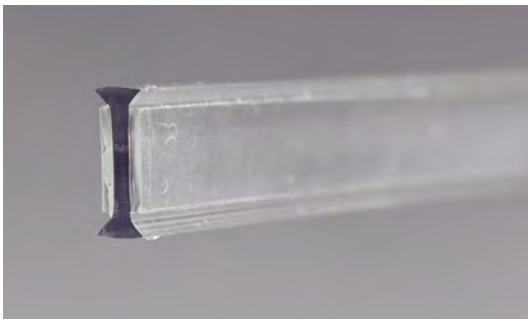
Art.	Length	For glass	Qty
PH50511	3000 mm	11.5 mm	1 Pc

**2-WAY IN-LINE PROFILE WITH VHB**

Material: Polycarbonate
Colour: Transparent

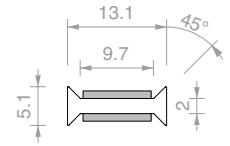


Art.	Length	For glass	Qty
PH50512	3000 mm	12 mm	1 Pc

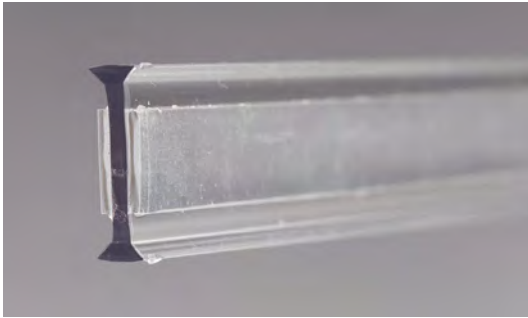


2-WAY IN-LINE PROFILE WITH VHB

Material: Polycarbonate
Colour: Transparent

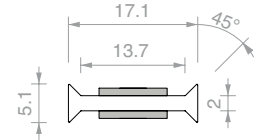


Art.	Length	For glass	Qty
PH9113	3000 mm	13.5 mm	1 Pc

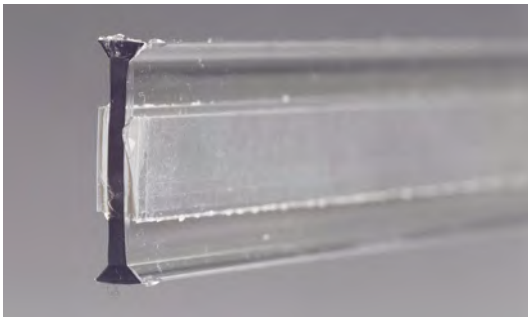


2-WAY IN-LINE PROFILE WITH VHB

Material: Polycarbonate
Colour: Transparent

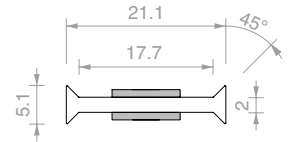


Art.	Length	For glass	Qty
PH9117	3000 mm	17.5 mm	1 Pc

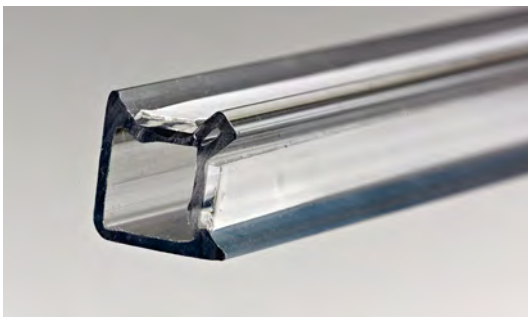


2-WAY IN-LINE PROFILE WITH VHB

Material: Polycarbonate
Colour: Transparent

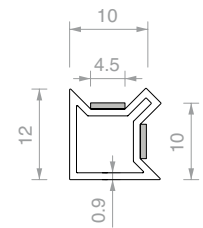


Art.	Length	For glass	Qty
PH9121	3000 mm	21.5 mm	1 Pc



2-WAY 90° PROFILE WITH VHB

Material: Polycarbonate
Colour: Transparent

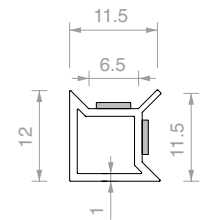


Art.	Length	For glass	Qty
PH2819	3000 mm	10 mm	1 Pc

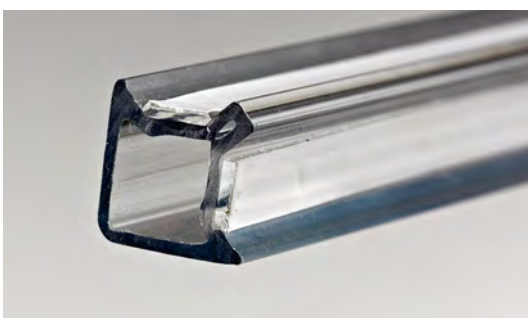


2-WAY 90° PROFILE WITH VHB

Material: Polycarbonate
Colour: Transparent

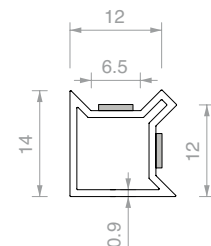


Art.	Length	For glass	Qty
PH2792	3000 mm	11.5 mm	1 Pc



2-WAY 90° PROFILE WITH VHB

Material: Polycarbonate
Colour: Transparent



Art.	Length	For glass	Qty
PH2828	3000 mm	12 mm	1 Pc



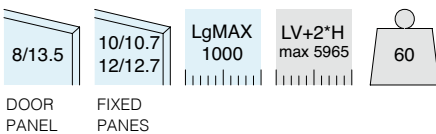
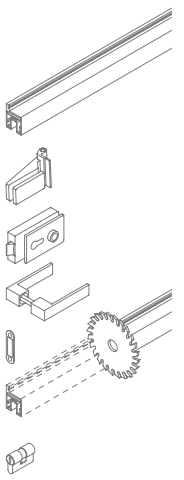
**PROFIXDOOR 4ALSQ
FULL KIT**

Material: Aluminium

Finish: /6 /88 /97

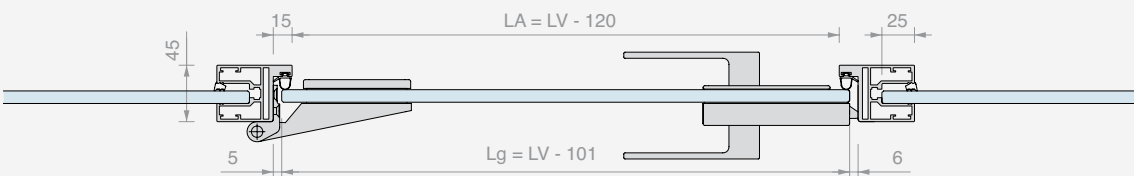
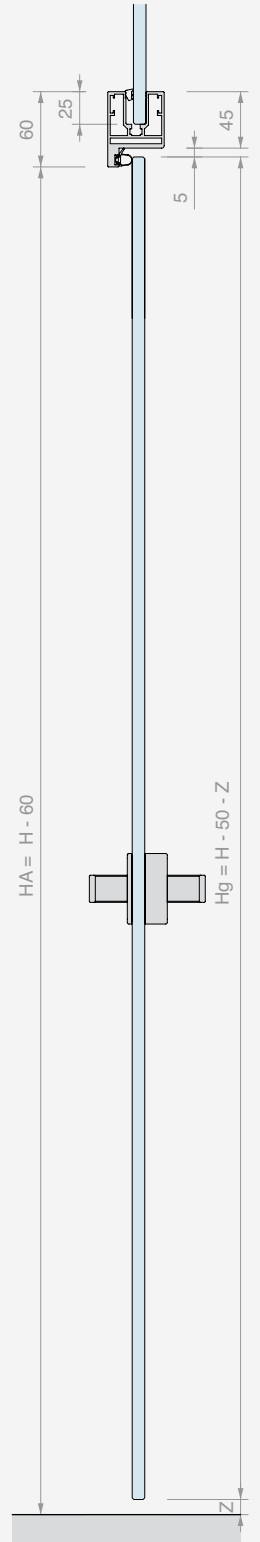
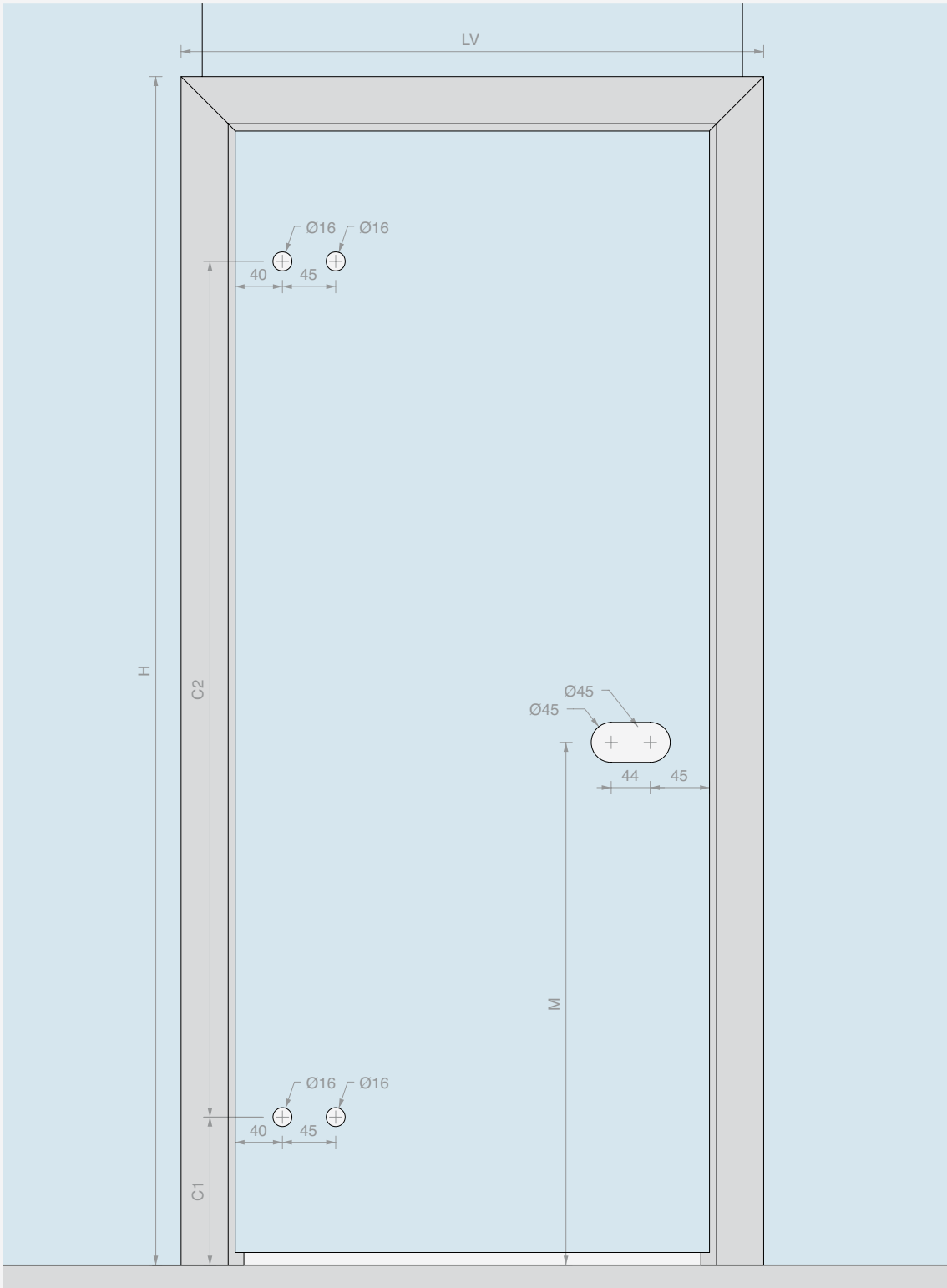
Kit comprising:

Art.	Description	Qty
PKIT02 /	PROFIXDOOR door panel kit, fixed glass 10/10.7 mm	1 Pc
PKIT05	PROFIXDOOR door panel kit, fixed glass 12/12.7 mm	
CER4ALSQ	Squared hinge for door jambs	2 Pcs
AP2203BORH	Mechanical lock with hole for cylinder	1 Pc
APHANDSC	Squared closed handle	1 Pc
SERH17	Lock strike plate	1 Pc
LAVPRO2	Custom processing	1 Pc
CISA2227U /	European cylinder single key	1 Pc
CISA2227D	European cylinder different key	



Art.	Description	Door panel	Fixed glass	Key	Qty
PD4SKIT10U	PROFIXDOOR full kit cut to size	From 8 to 13.5 mm	From 10 to 10.7 mm	Single key	1 Pc
PD4SKIT10D	PROFIXDOOR full kit cut to size	From 8 to 13.5 mm	From 10 to 10.7 mm	Different key	1 Pc
PD4SKIT10SC	PROFIXDOOR full kit cut to size	From 8 to 13.5 mm	From 10 to 10.7 mm	Without cylinder	1 Pc
PD4SKIT12U	PROFIXDOOR full kit cut to size	From 8 to 13.5 mm	From 12 to 12.7 mm	Single key	1 Pc
PD4SKIT12D	PROFIXDOOR full kit cut to size	From 8 to 13.5 mm	From 12 to 12.7 mm	Different key	1 Pc
PD4SKIT12SC	PROFIXDOOR full kit cut to size	From 8 to 13.5 mm	From 12 to 12.7 mm	Without cylinder	1 Pc

DIAGRAM AND RECCOMENDED GLASS SIZING





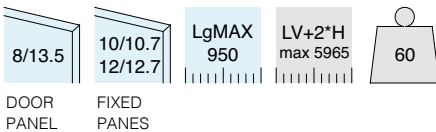
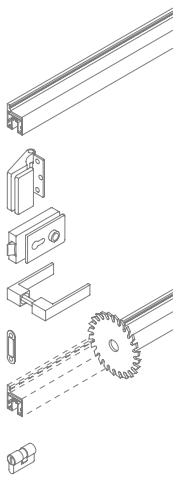
**PROFIXDOOR 148ALSQ
FULL KIT**

Material: Aluminium

Finish: /6 /88 /97

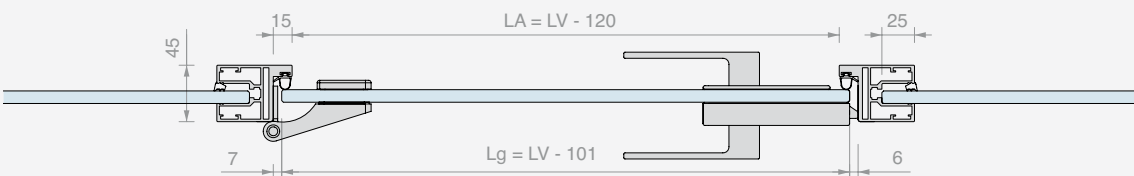
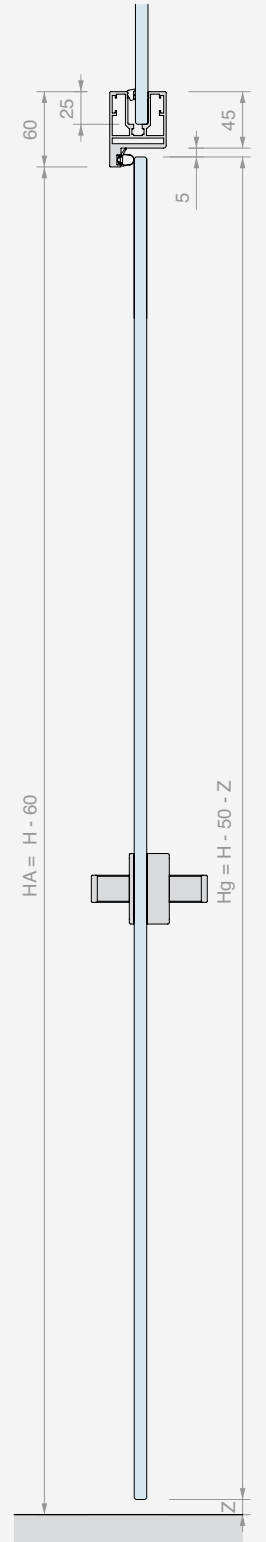
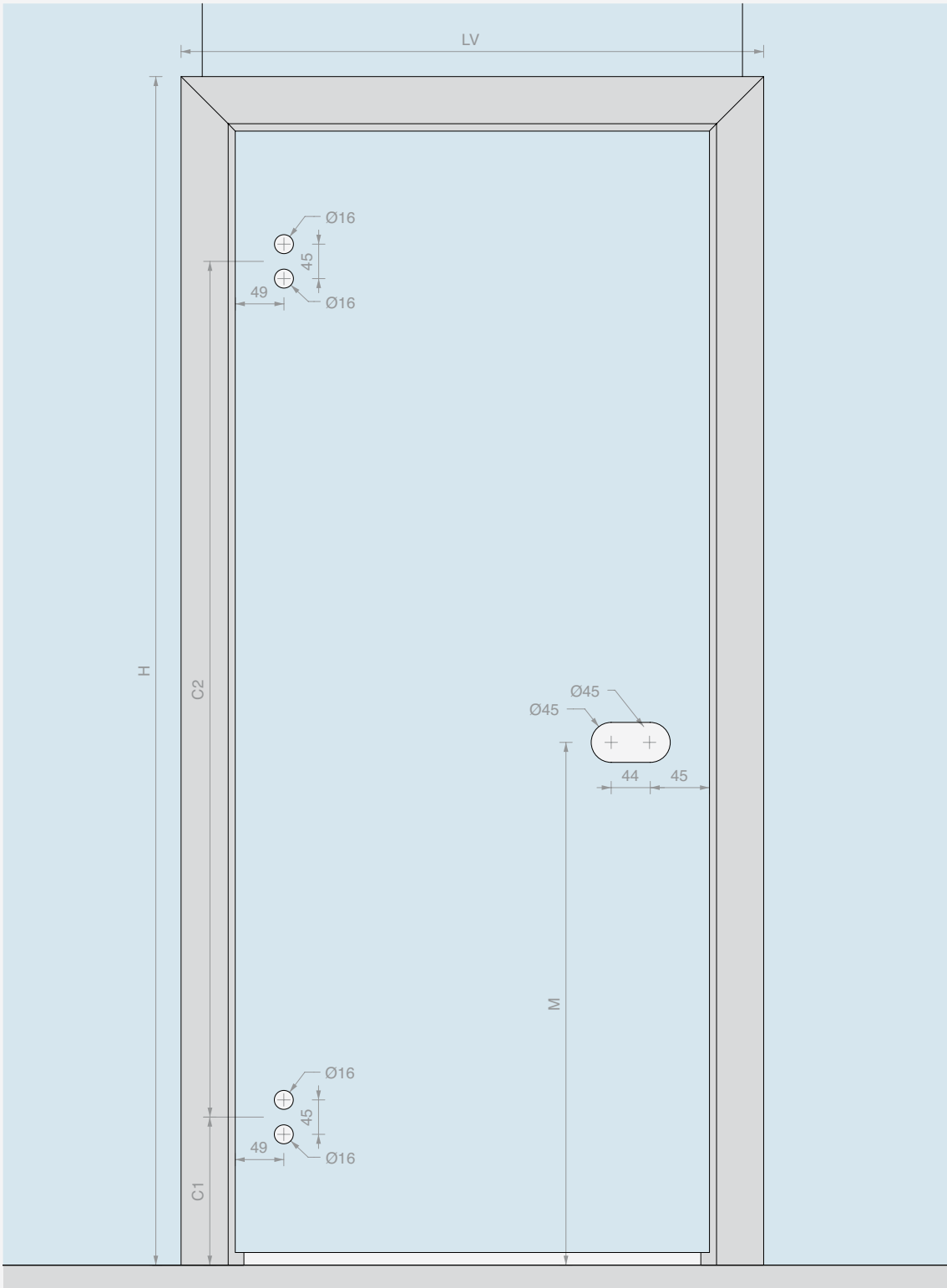
Kit comprising:

Art.	Description	Qty
PKIT02 /	PROFIXDOOR door panel kit, fixed glass 10/10.7 mm	1 Pc
PKIT05	PROFIXDOOR door panel kit, fixed glass 12/12.7 mm	
CER148ALSQ	Squared hinge for door jambs	2 Pcs
AP2203BORH	Mechanical lock with hole for cylinder	1 Pc
APHANDSC	Squared closed handle	1 Pc
SERH17	Lock strike plate	1 Pc
LAVPRO2	Custom processing	1 Pc
CISA2227U /	European cylinder single key	1 Pc
CISA2227D	European cylinder different key	



Art.	Description	Door panel	Fixed glass	Key	Qty
PD148SKIT10U	PROFIXDOOR full kit cut to size	From 8 to 13.5 mm	From 10 to 10.7 mm	Single key	1 Pc
PD148SKIT10D	PROFIXDOOR full kit cut to size	From 8 to 13.5 mm	From 10 to 10.7 mm	Different key	1 Pc
PD148SKIT10SC	PROFIXDOOR full kit cut to size	From 8 to 13.5 mm	From 10 to 10.7 mm	Without cylinder	1 Pc
PD148SKIT12U	PROFIXDOOR full kit cut to size	From 8 to 13.5 mm	From 12 to 12.7 mm	Single key	1 Pc
PD148SKIT12D	PROFIXDOOR full kit cut to size	From 8 to 13.5 mm	From 12 to 12.7 mm	Different key	1 Pc
PD148SKIT12SC	PROFIXDOOR full kit cut to size	From 8 to 13.5 mm	From 12 to 12.7 mm	Without cylinder	1 Pc

DIAGRAM AND RECCOMENDED GLASS SIZING

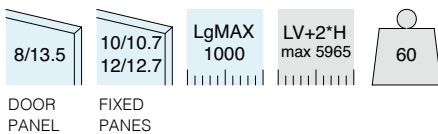




**PROFIXDOOR 4AL
FULL KIT**

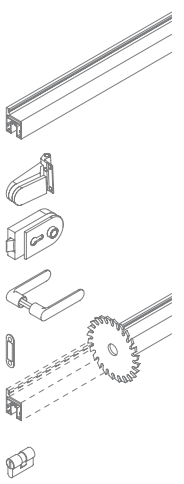
Material: Aluminium

Finish: /6 /88 /97



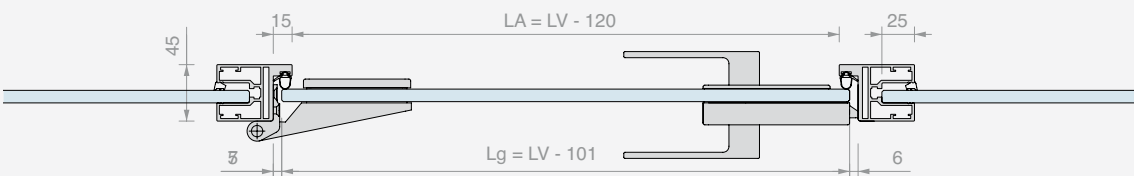
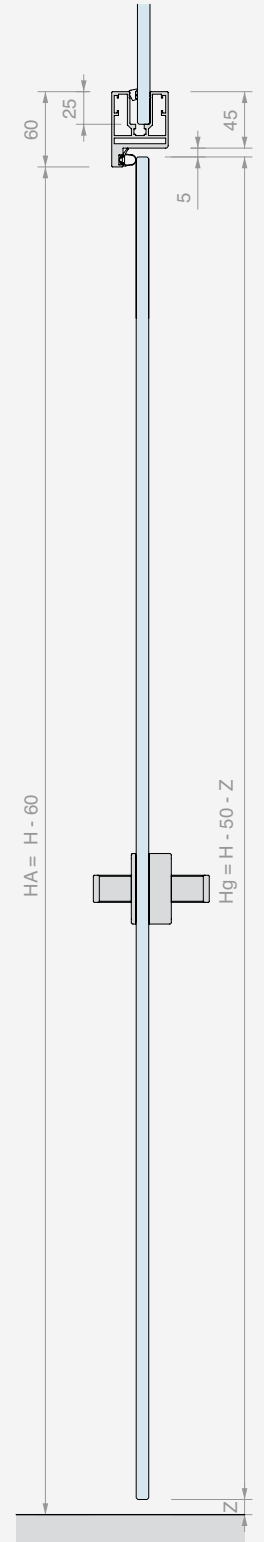
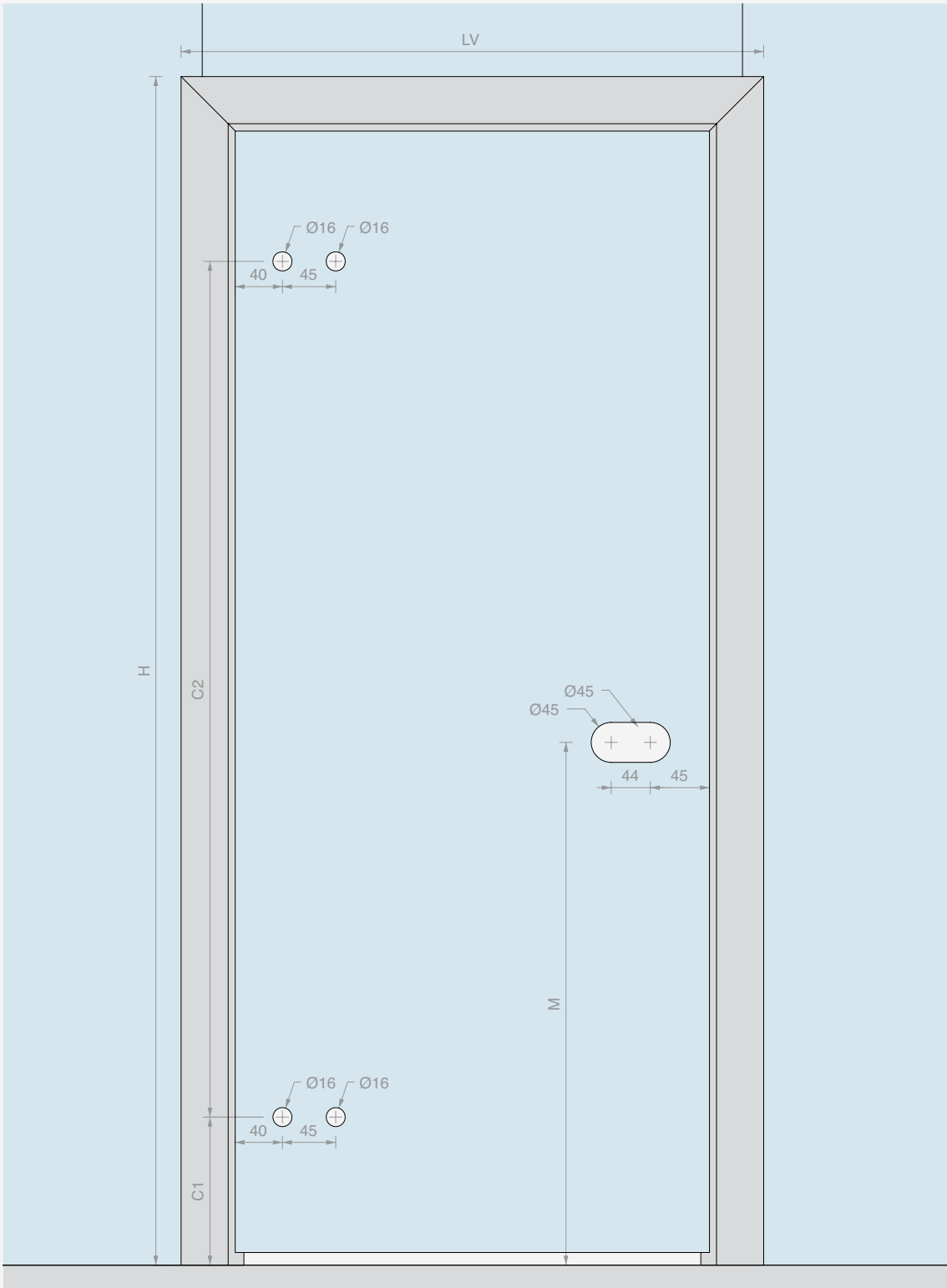
Kit comprising:

Art.	Description	Qty
PKIT02 /	PROFIXDOOR door panel kit, fixed glass 10/10.7 mm	1 Pc
PKIT05	PROFIXDOOR door panel kit, fixed glass 12/12.7 mm	
CER4AL	Rounded hinge for door jambs	2 Pcs
AP1203BORH	Mechanical lock with hole for cylinder	1 Pc
APHANDRC	Rounded closed handle	1 Pc
SERH17	Lock strike plate	1 Pc
LAVPRO2	Custom processing	1 Pc
CISA2227U /	European cylinder single key	1 Pc
CISA2227D	European cylinder different key	



Art.	Description	Door panel	Fixed glass	Key	Qty
PD4RKIT10U	PROFIXDOOR full kit cut to size	From 8 to 13.5 mm	From 10 to 10.7 mm	Single key	1 Pc
PD4RKIT10D	PROFIXDOOR full kit cut to size	From 8 to 13.5 mm	From 10 to 10.7 mm	Different key	1 Pc
PD4RKIT10SC	PROFIXDOOR full kit cut to size	From 8 to 13.5 mm	From 10 to 10.7 mm	Without cylinder	1 Pc
PD4RKIT12U	PROFIXDOOR full kit cut to size	From 8 to 13.5 mm	From 12 to 12.7 mm	Single key	1 Pc
PD4RKIT12D	PROFIXDOOR full kit cut to size	From 8 to 13.5 mm	From 12 to 12.7 mm	Different key	1 Pc
PD4RKIT12SC	PROFIXDOOR full kit cut to size	From 8 to 13.5 mm	From 12 to 12.7 mm	Without cylinder	1 Pc

DIAGRAM AND RECCOMENDED GLASS SIZING





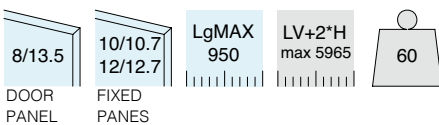
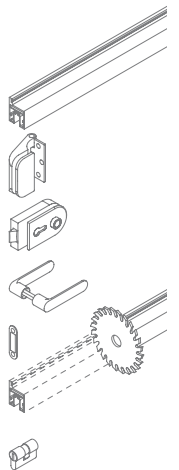
**PROFIXDOOR 148AL
FULL KIT**

Material: Aluminium

Finish: /6 /88 /97

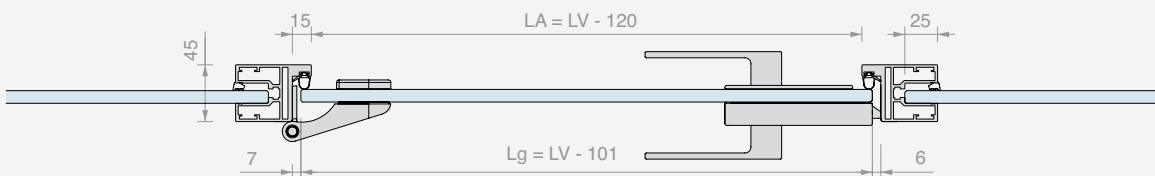
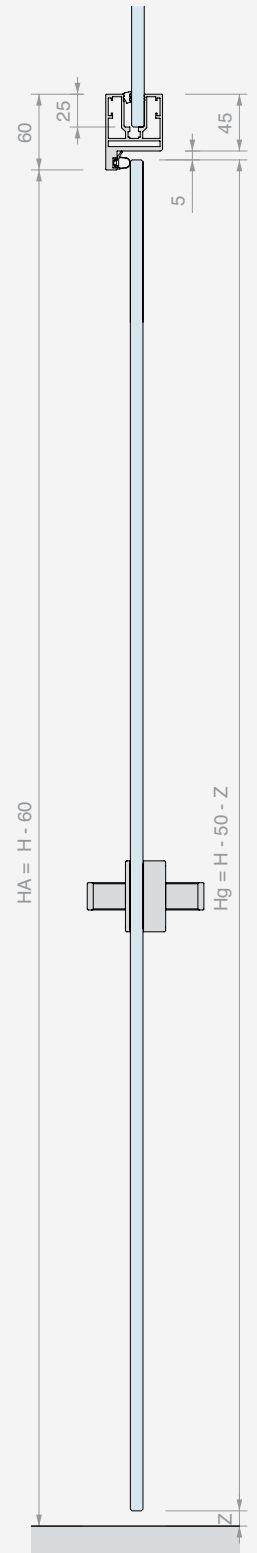
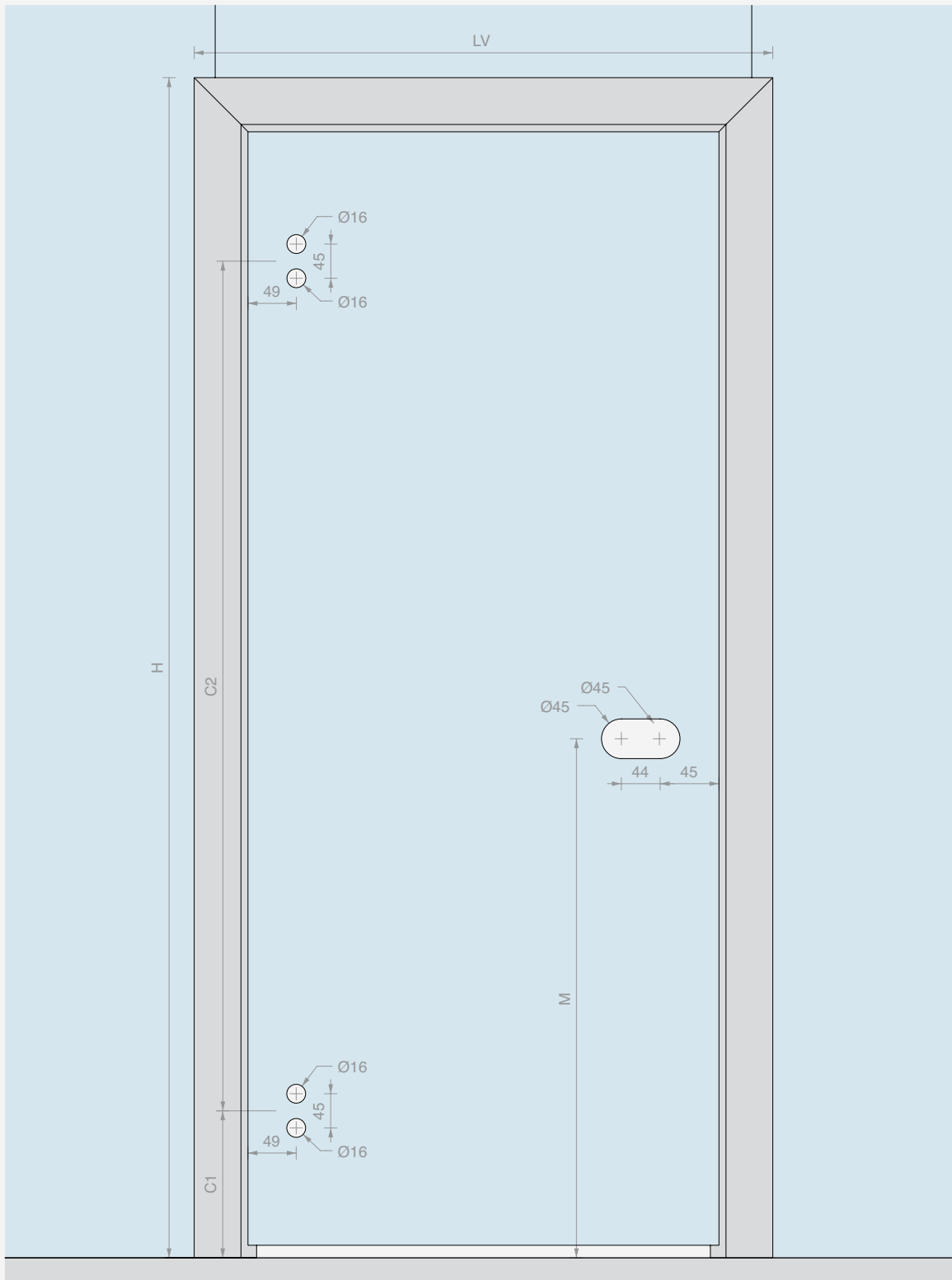
Kit comprising:

Art.	Description	Qty
PKIT02 /	PROFIXDOOR door panel kit, fixed glass 10/10.7 mm	1 Pc
PKIT05	PROFIXDOOR door panel kit, fixed glass 12/12.7 mm	
CER148AL	Rounded hinge for door jambs	2 Pcs
AP1203BORH	Mechanical lock with hole for cylinder	1 Pc
APHANDRC	Rounded closed handle	1 Pc
SERH17	Lock strike plate	1 Pc
LAVPRO2	Custom processing	1 Pc
CISA2227U /	European cylinder single key	1 Pc
CISA2227D	European cylinder different key	



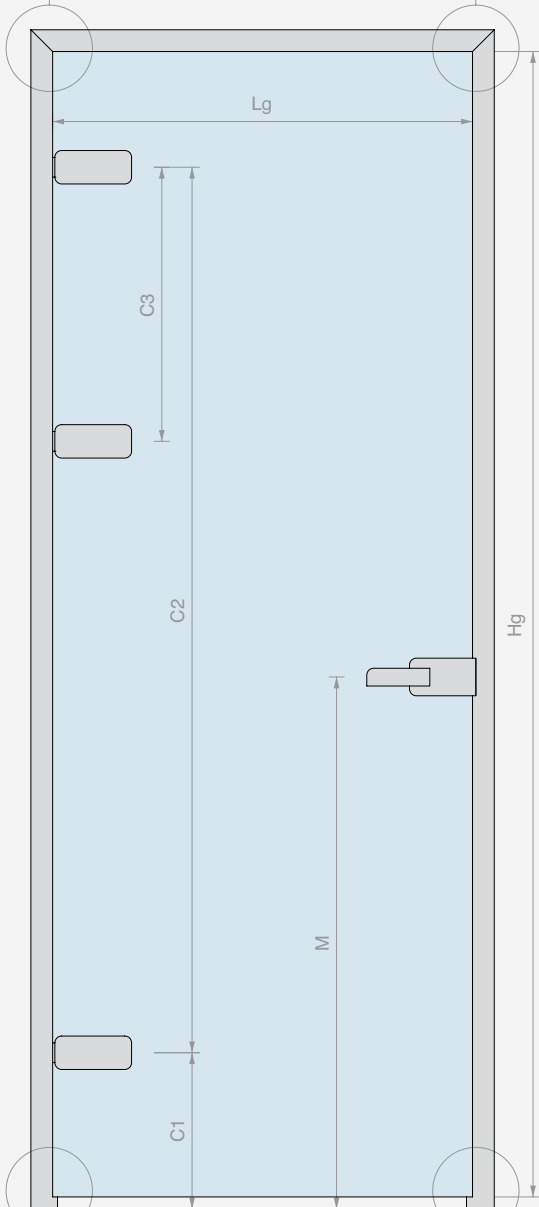
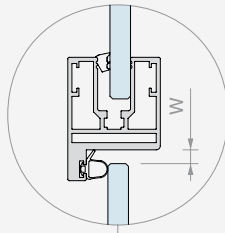
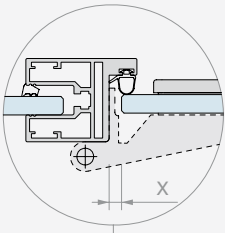
Art.	Description	Door panel	Fixed glass	Key	Qty
PD148RKIT10U	PROFIXDOOR full kit cut to size	From 8 to 13.5 mm	From 10 to 10.7 mm	Single key	1 Pc
PD148RKIT10D	PROFIXDOOR full kit cut to size	From 8 to 13.5 mm	From 10 to 10.7 mm	Different key	1 Pc
PD148RKIT10SC	PROFIXDOOR full kit cut to size	From 8 to 13.5 mm	From 10 to 10.7 mm	Without cylinder	1 Pc
PD148RKIT12U	PROFIXDOOR full kit cut to size	From 8 to 13.5 mm	From 12 to 12.7 mm	Single key	1 Pc
PD148RKIT12D	PROFIXDOOR full kit cut to size	From 8 to 13.5 mm	From 12 to 12.7 mm	Different key	1 Pc
PD148RKIT12SC	PROFIXDOOR full kit cut to size	From 8 to 13.5 mm	From 12 to 12.7 mm	Without cylinder	1 Pc

DIAGRAM AND RECCOMENDED GLASS SIZING





FORM TO ORDER CUSTOM CUT-TO-SIZE PROFIXDOOR



PROFILE PROCESSING

DOOR PANEL DIMENSIONS

Width = _____ mm

Height = _____ mm

DOOR PANEL THICKNESS

_____ mm

FIXED GLASS THICKNESS

_____ mm

OTHER DIMENSIONS

Values as per your suggestion

X = _____ mm

Z = _____ mm

Y = _____ mm

W = _____ mm

C1 = _____ mm

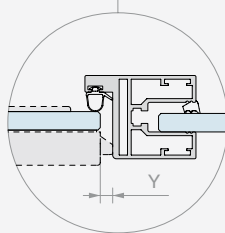
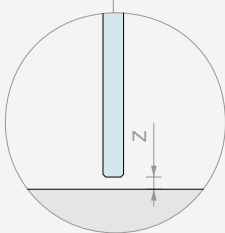
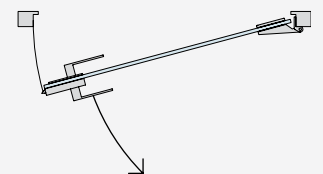
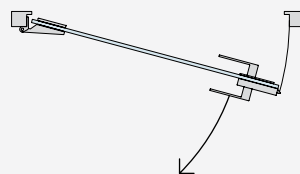
C2 = _____ mm

C3 = _____ mm (where present)

M = _____ mm

Left opening

Right opening



FINISH AND QUANTITY OF THE FULL KIT

/6 BLACK ALUMINIUM

/88 SATIN STAINLESS STEEL EFFECT ALUMINIUM

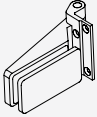
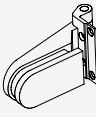
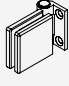
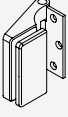
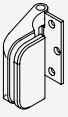
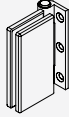
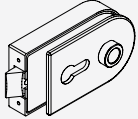
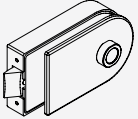
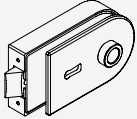
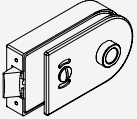
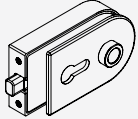
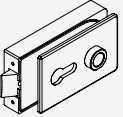
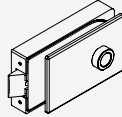
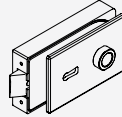
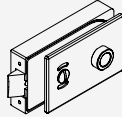
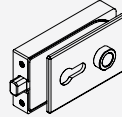
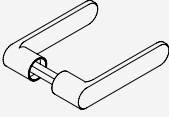
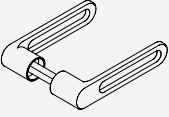
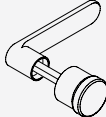
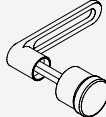
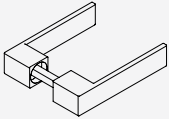
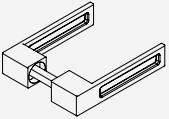
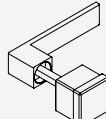
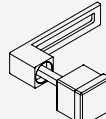
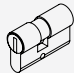
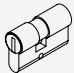
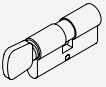


/97 MATT ALUMINIUM

Other _____

Qty = _____ Pcs



ACCESSORIES

HINGES				(attach technical data sheet)		
	<input type="checkbox"/> CER4ALSQ Squared hinge for door jambs	<input type="checkbox"/> CER4AL Rounded hinge for door jambs	<input type="checkbox"/> FA50 Squared hinge for narrow door jambs			
Qty = ___ Pcs				<input type="checkbox"/> OTHER		
	<input type="checkbox"/> CER148ALSQ Squared hinge for door jambs	<input type="checkbox"/> CER148AL Rounded hinge for door jambs	<input type="checkbox"/> FA100 Rectangular hinge for narrow door jambs			
LOCK						(attach technical data sheet)
	<input type="checkbox"/> AP1203BORH Mechanical lock with hole for cylinder	<input type="checkbox"/> AP1203BOST Mechanical lock without hole for cylinder	<input type="checkbox"/> AP1203BOPA Mechanical lock with patented key	<input type="checkbox"/> AP1203BOKS Mechanical lock free/occupied	<input type="checkbox"/> AP1203BOMG Magnetic lock with hole for cylinder	
Qty = ___ Pcs						<input type="checkbox"/> OTHER
	<input type="checkbox"/> AP2203BORH Mechanical lock with hole for cylinder	<input type="checkbox"/> AP2203BOST Mechanical lock without hole for cylinder	<input type="checkbox"/> AP2203BOPA Mechanical lock with patented key	<input type="checkbox"/> AP2203BOKS Mechanical lock free/occupied	<input type="checkbox"/> AP2203BOMG Magnetic lock with hole for cylinder	
HANDLE						
	<input type="checkbox"/> APHANDRC Rounded closed handle	<input type="checkbox"/> APHANDRH Rounded open handle	<input type="checkbox"/> APHAFKRC Rounded closed handle, with fixed door knob	<input type="checkbox"/> APHAFKRH Rounded open handle, with fixed door knob		
Qty = ___ Pcs						
	<input type="checkbox"/> APHANDSC Squared closed handle	<input type="checkbox"/> APHANDSH Squared open handle	<input type="checkbox"/> APHAFKSC Squared closed handle, with fixed door knob	<input type="checkbox"/> APHAFKSH Squared open handle, with fixed door knob		
CYLINDER (if required)						
Qty = ___ Pcs	<input type="checkbox"/> CISA2227D Cylinder different key	<input type="checkbox"/> CISA2227U Cylinder single key	<input type="checkbox"/> S1217U Cylinder, different key with door knob			
STRIKE PLATE			(attach technical data sheet)			
	<input type="checkbox"/> SERH17 Strike plate for mechanical latch	<input type="checkbox"/> APROIN17M Strike plate for magnetic latch	<input type="checkbox"/> OTHER			
Qty = ___ Pcs						



PROFIXDOOR DOOR PANEL KIT

Material: Aluminium

Finish: /6 /88 /97

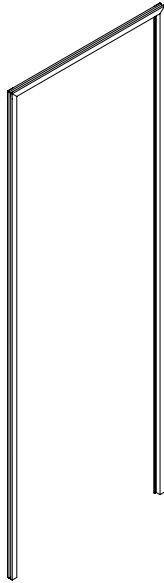
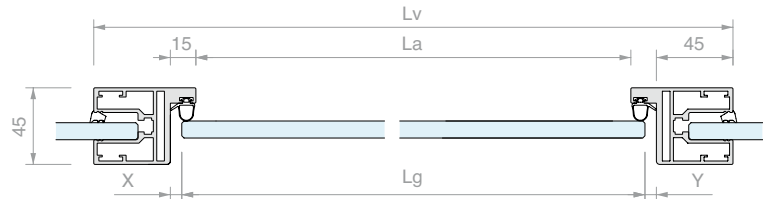


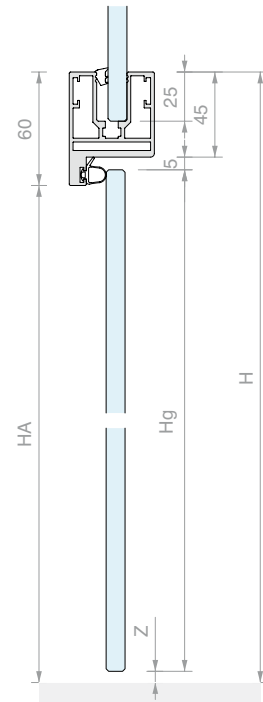
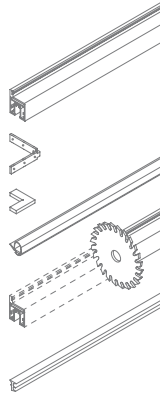
DIAGRAM AND RECCOMENDED GLASS SIZING

8/13.5	10/10.7 12/12.7	LV+2*H max 5965
DOOR PANEL	FIXED PANES	



Kit comprising:

Art.	Description	Qty
PFDOOR66	Profile for door panels and fixed glass	1 Pc
PD001	4 joining brackets	1 Pc
PD002	4 alignment brackets	1 Pc
PD8A	Grey door striker gasket	6 m
PFDOORCUT	Cut-to-size	1 Pc
GTUP6	Glass holder seal for 10/10.7 mm	6 m
GTUP4	Glass holder seal for 12/12.7 mm	



FORMULAS

$$Lg = Lv - (90 + X + Y)$$

$$Hg = H - 50 - Z$$

OTHER DIMENSIONS

$$LA = Lv - 120$$

$$HA = H - 60$$

Dimensions X and Y depend on the hinges and lock used

Art.	Description	Door panels	Fixed glass	Qty
PKIT02	PROFIXDOOR cut-to-size door panel kit	From 8 to 13.5 mm	From 10 to 10.7 mm	1 Pc
PKIT05	PROFIXDOOR cut-to-size door panel kit	From 8 to 13.5 mm	From 12 to 12.7 mm	1 Pc

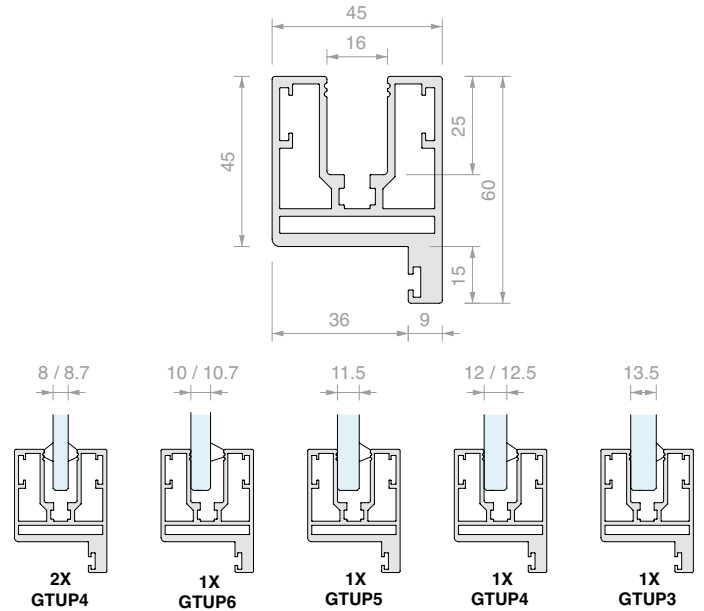


PROFIXDOOR PROFILE FOR DOORS AND FIXED GLASS

Material: Aluminium

GTUP seal to be ordered separately

Finish:  /6 /10 /88 /97



Art.	Length	Door panels	Fixed glass	Qty
PFDOOR6615	1497 mm	From 8 to 13.5 mm	From 8 to 13.5 mm	1 Pc
PFDOOR6630	2998 mm	From 8 to 13.5 mm	From 8 to 13.5 mm	1 Pc
PFDOOR66	6000 mm	From 8 to 13.5 mm	From 8 to 13.5 mm	1 Pc

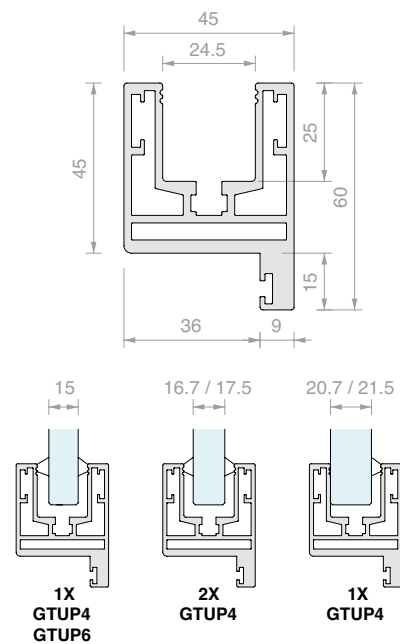


PROFIXDOOR PROFILE FOR DOORS AND FIXED GLASS

Material: Aluminium

GTUP seal to be ordered separately

Finish:  /6 /10 /88 /97



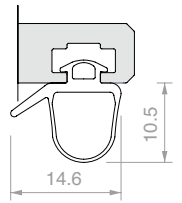
Art.	Length	Door panels	Fixed glass	Qty
PFDOOR81015	1497 mm	From 8 to 13.5 mm	From 15 to 21.5 mm	1 Pc
PFDOOR81030	2998 mm	From 8 to 13.5 mm	From 15 to 21.5 mm	1 Pc
PFDOOR810	6000 mm	From 8 to 13.5 mm	From 15 to 21.5 mm	1 Pc



DOOR STRIKER GASKET

Material: Silicone

Finish: /6 /97



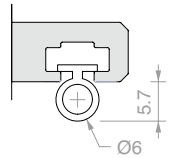
Art.	For glass	Qty
PD8A	From 8 to 10.76 mm	1 m



DOOR STRIKER GASKET

Material: PVC

Finish: /6 /97

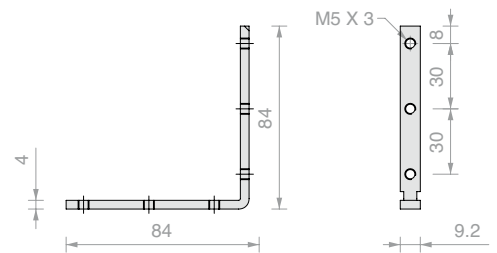


Art.	For glass	Qty
PD12	From 11.52 to 13.52 mm	1 m



4 X 90° PROFILE JOINING BRACKETS

Material: AISI 304 steel



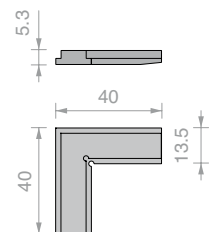
Art.	Qty
PD001	1 Pc



4 X 90° PROFILE ALIGNMENT BRACKETS

Material: POM

Finish: /6



Art.	Qty
PD002	1 Pc



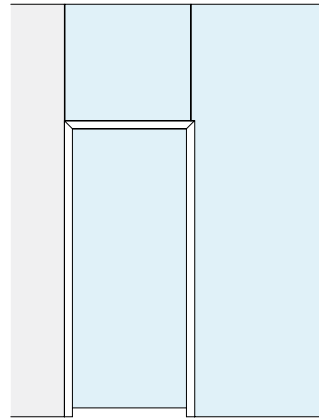
WALL FIXING KIT PFDOOR66

Material: Aluminium

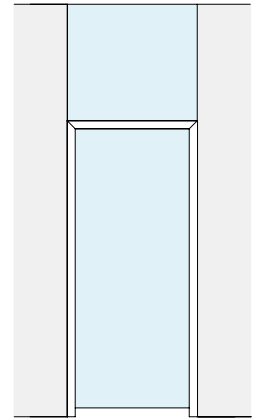
Cannot be used in situations with walls on all 3 sides

Finish: /97

TYPE OF APPLICATIONS:



1 x PDMUR66



2 x PDMUR66

Art.	Qty
PDMUR66	1 Pc



CALCULATION AND CUT AT 45° PROFIXDOOR

Art.	Qty
PFDOORCUT	1 Pc



PROCESSING ON PROFIXDOOR

We advise completing the forms on pages 426/427 also available in editable format online on our website

Art.	Processing	Qty
LAVCER	for 2 Logli hinges	1 Pc
LAVSER	for Logli strike plate	1 Pc
LAVPRO2	for 2 Logli hinges and 1 strike plate	1 Pc
LAVPRO3	for 3 Logli hinges and 1 strike plate	1 Pc



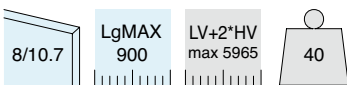
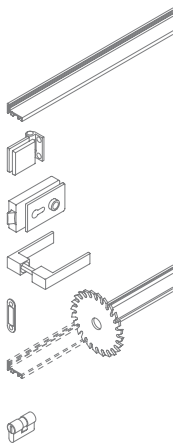
**IMBOTTE L-SHAPED 50
FULL KIT**

Material: Aluminium

Finish: /6 /97

Kit comprising:

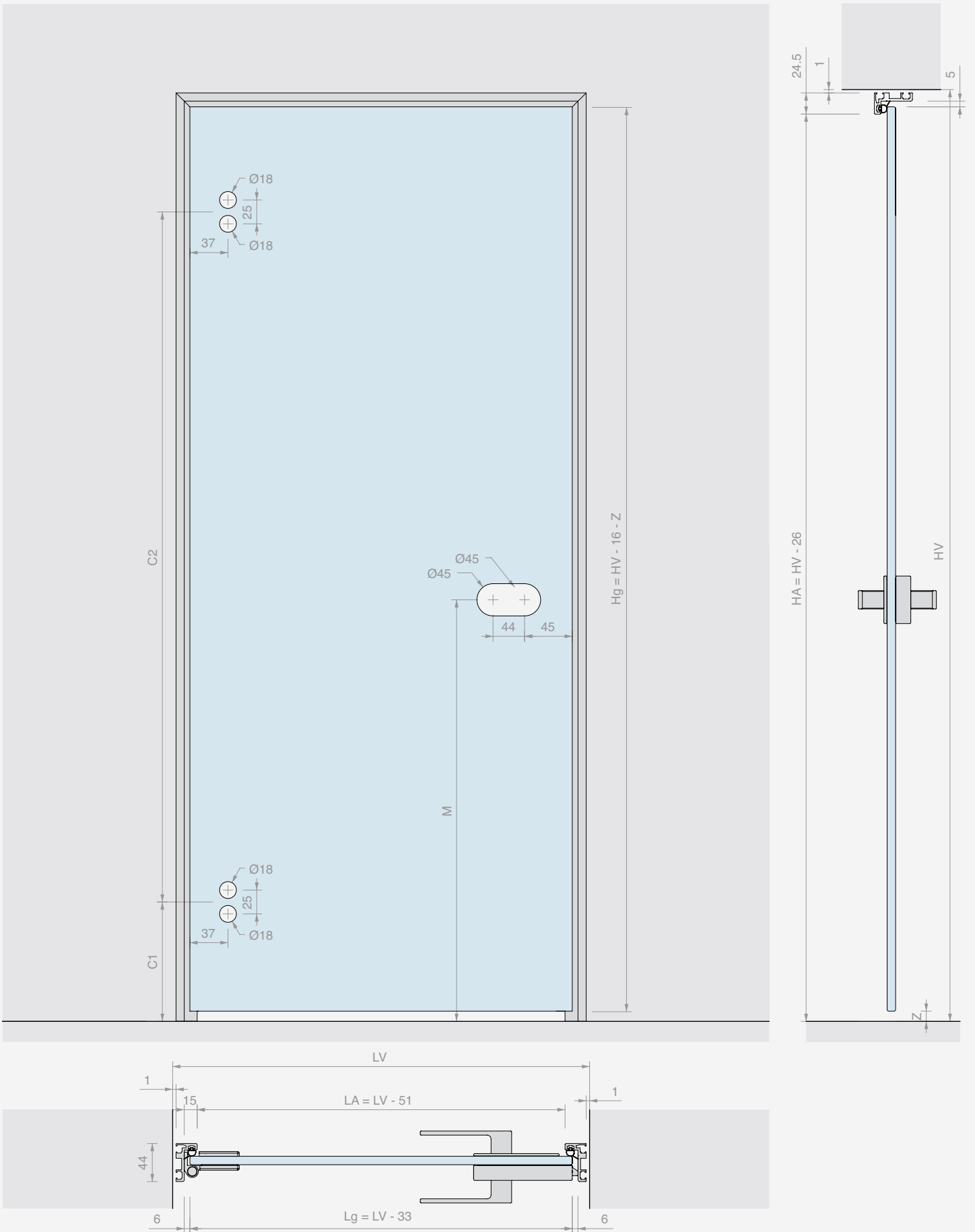
Art.	Description	Qty
IMB25KIT	IMBOTTE L-SHAPED door panel kit	1 Pc
FA50	Squared hinge for narrow door jambs	2 Pcs
AP2203BORH	Mechanical lock with hole for cylinder	1 Pc
APHANDSC	Squared closed handle	1 Pc
SERH17	Lock strike plate	1 Pc
LAVPRO2	Custom processing	1 Pc
CISA2227U	European cylinder single key	1 Pc
CISA2227D	European cylinder different key	



Art.	Description	For glass	Key	Qty
IMB2550SKITU	IMBOTTE L-SHAPED 50 full kit cut to size	From 8 to 10.7 mm	Single key	1 Pc
IMB2550SKITD	IMBOTTE L-SHAPED 50 full kit cut to size	From 8 to 10.7 mm	Different key	1 Pc
IMB2550SKITSC	IMBOTTE L-SHAPED 50 full kit cut to size	From 8 to 10.7 mm	Without cylinder	1 Pc

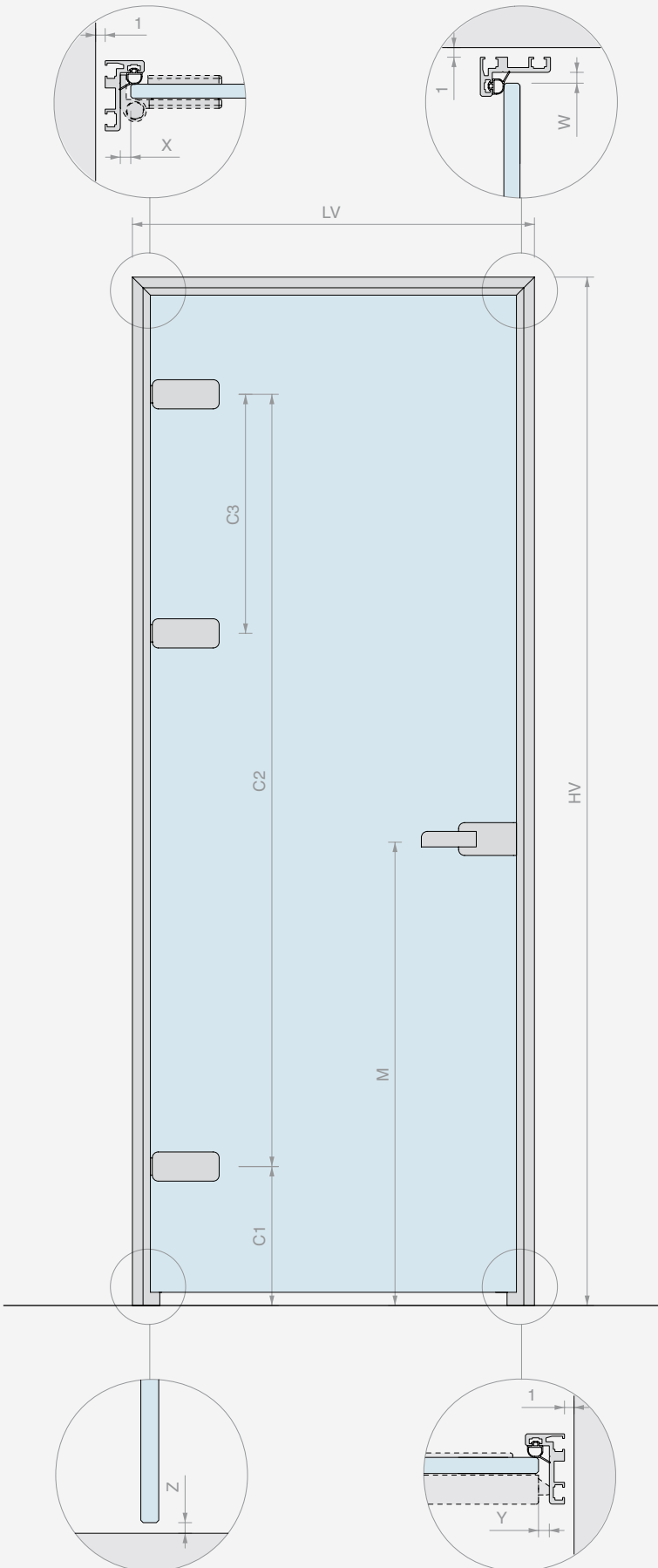


DIAGRAM AND RECCOMENDED GLASS SIZING





FORM TO ORDER CUSTOM IMBOTTE L-SHAPED



PROFILE PROCESSING

DOOR OPENING SIZE

LV = _____ mm

HV = _____ mm

DOOR PANEL THICKNESS

_____ mm

OTHER DIMENSIONS

Values as per your suggestion

X = _____ mm

Z = _____ mm

Y = _____ mm

W = _____ mm

C1 = _____ mm

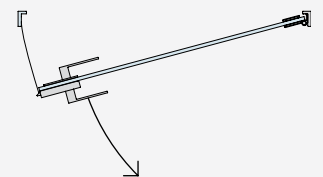
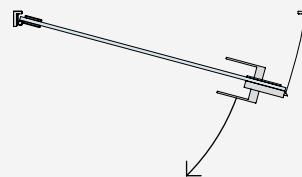
C2 = _____ mm

C3 = _____ mm (where present)

M = _____ mm

Left opening

Right opening



FINISH AND QUANTITY OF THE FULL KIT

/6 BLACK ALUMINIUM

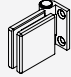
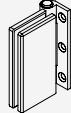
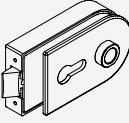
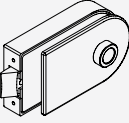
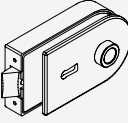
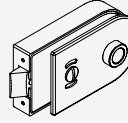
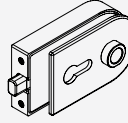
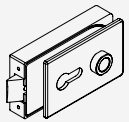
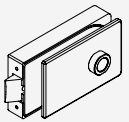
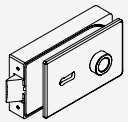
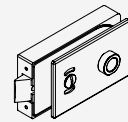
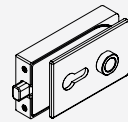
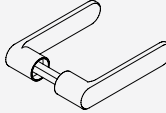
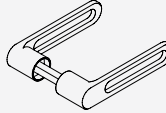
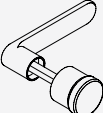
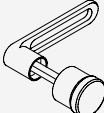
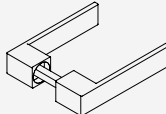
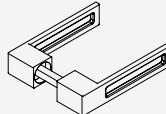
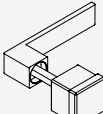
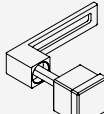
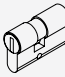
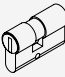
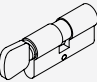


/97 MATT ALUMINIUM

Other _____

Qty = _____ Pcs



ACCESSORIES

HINGES Qty = ___ Pcs	 <input type="checkbox"/> FA50 Squared hinge for narrow jambs	(attach technical data sheet)				
	 <input type="checkbox"/> FA100 Rectangular hinge for narrow jambs					
LOCK Qty = ___ Pcs	 <input type="checkbox"/> AP1203BORH Mechanical lock with hole for cylinder	 <input type="checkbox"/> AP1203BOST Mechanical lock without hole for cylinder	 <input type="checkbox"/> AP1203BOPA Mechanical lock with patented key	 <input type="checkbox"/> AP1203BOKS Mechanical lock free/occupied	 <input type="checkbox"/> AP1203BOMG Magnetic lock with hole for cylinder	(attach technical data sheet)
	 <input type="checkbox"/> AP2203BORH Mechanical lock with hole for cylinder	 <input type="checkbox"/> AP2203BOST Mechanical lock without hole for cylinder	 <input type="checkbox"/> AP2203BOPA Mechanical lock with patented key	 <input type="checkbox"/> AP2203BOKS Mechanical lock free/occupied	 <input type="checkbox"/> AP2203BOMG Magnetic lock with hole for cylinder	
HANDLE Qty = ___ Pcs	 <input type="checkbox"/> APHANDRC Rounded closed handle	 <input type="checkbox"/> APHANDRH Rounded open handle	 <input type="checkbox"/> APHAFKRC Rounded closed handle, with fixed door knob	 <input type="checkbox"/> APHAFKRH Rounded open handle, with fixed door knob		
	 <input type="checkbox"/> APHANDSC Squared closed handle	 <input type="checkbox"/> APHANDSH Squared open handle	 <input type="checkbox"/> APHAFKSC Squared closed handle, with fixed door knob	 <input type="checkbox"/> APHAFKSH Squared open handle, with fixed door knob		
CYLINDER (if required) Qty = ___ Pcs	 <input type="checkbox"/> CISA2227D Cylinder different key	 <input type="checkbox"/> CISA2227U Cylinder single key	 <input type="checkbox"/> S1217U Cylinder, different key with door knob			
STRIKE PLATE Qty = ___ Pcs	 <input type="checkbox"/> SERH17 Strike plate for mechanical latch	 <input type="checkbox"/> APROIN17M Strike plate for magnetic latch	(attach technical data sheet)			
			<input type="checkbox"/> OTHER			



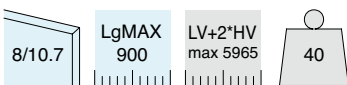
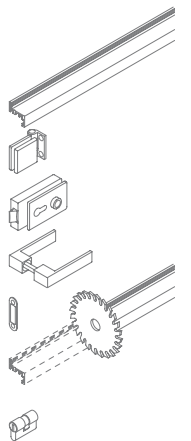
**IMBOTTE Z-SHAPED 50
FULL KIT**

Material: Aluminium

Finish: **/6** /97

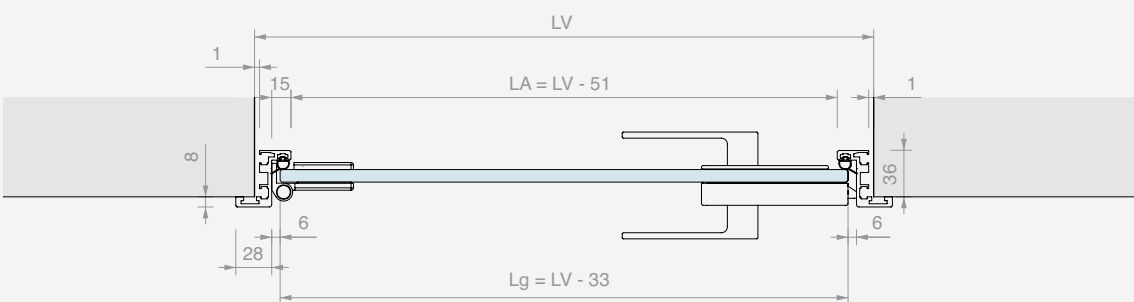
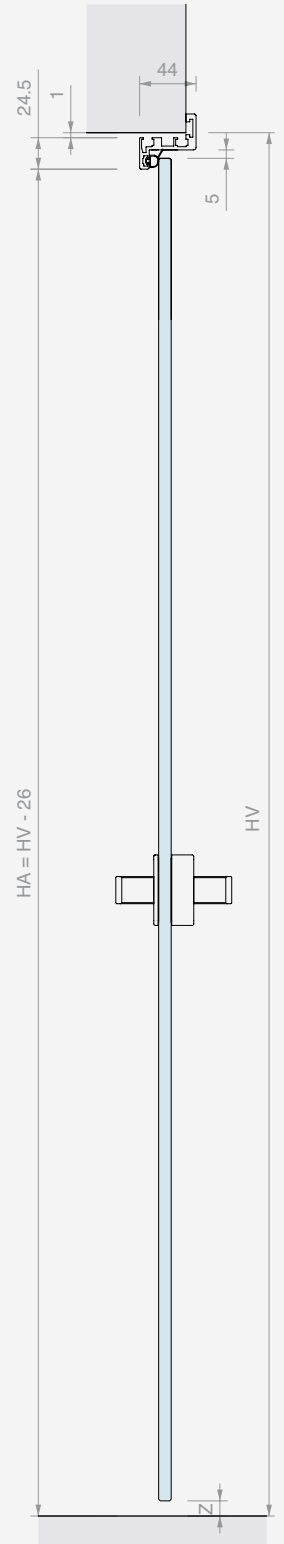
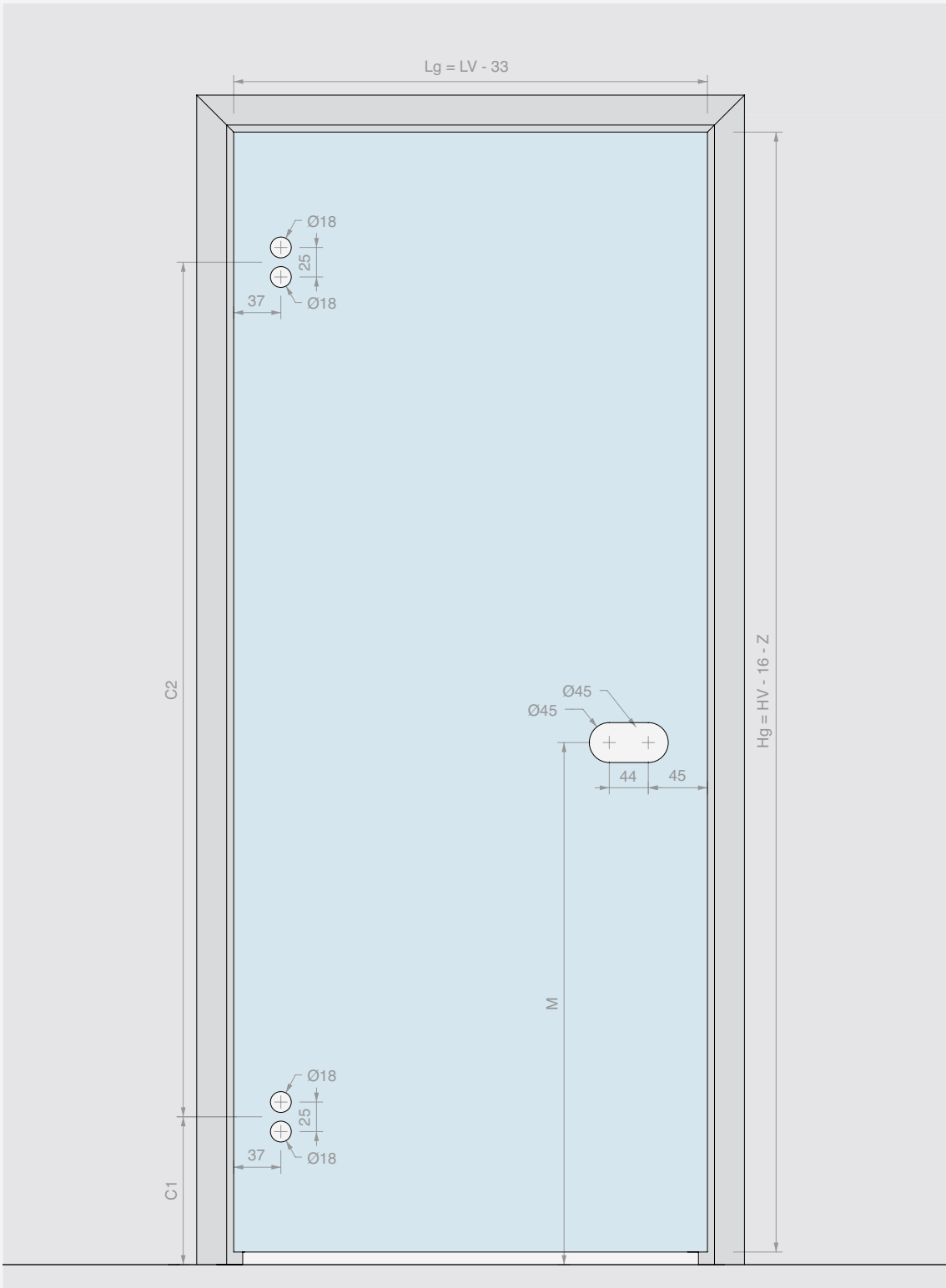
Kit comprising:

Art.	Description	Qty
IMB43KIT	IMBOTTE Z-SHAPED door panel kit	1 Pc
FA50	Squared hinge for narrow door jambs	2 Pcs
AP2203BORH	Mechanical lock with hole for cylinder	1 Pc
APHANDSC	Squared closed handle	1 Pc
SERH17	Lock strike plate	1 Pc
LAVPRO2	Custom processing	1 Pc
CISA2227U	European cylinder single key	1 Pc
CISA2227D	European cylinder different key	



Art.	Description	For glass	Key	Qty
IMB4350KITU	IMBOTTE Z-SHAPED 50 full kit cut to size	From 8 to 10.7 mm	Single key	1 Pc
IMB4350KITD	IMBOTTE Z-SHAPED 50 full kit cut to size	From 8 to 10.7 mm	Different key	1 Pc
IMB4350KITSC	IMBOTTE Z-SHAPED 50 full kit cut to size	From 8 to 10.7 mm	Without cylinder	1 Pc

DIAGRAM AND RECCOMENDED GLASS SIZING

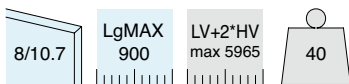




**IMBOTTE Z-SHAPED 148AL
FULL KIT**

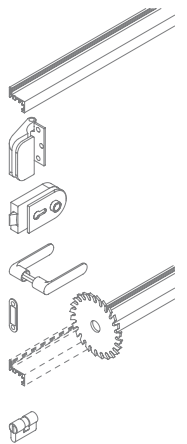
Material: Aluminium

Finish: /6 /97



Kit comprising:

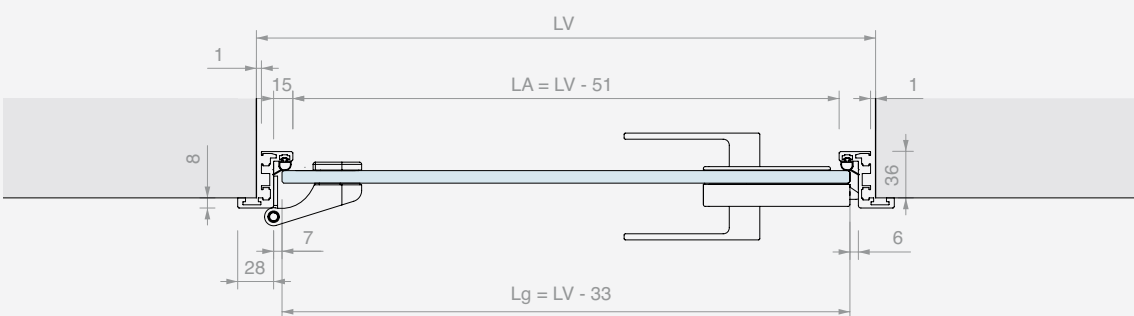
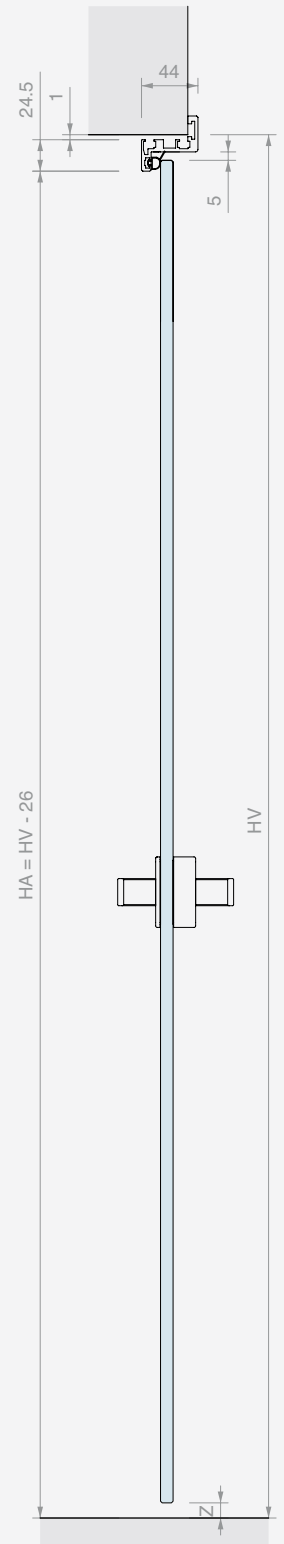
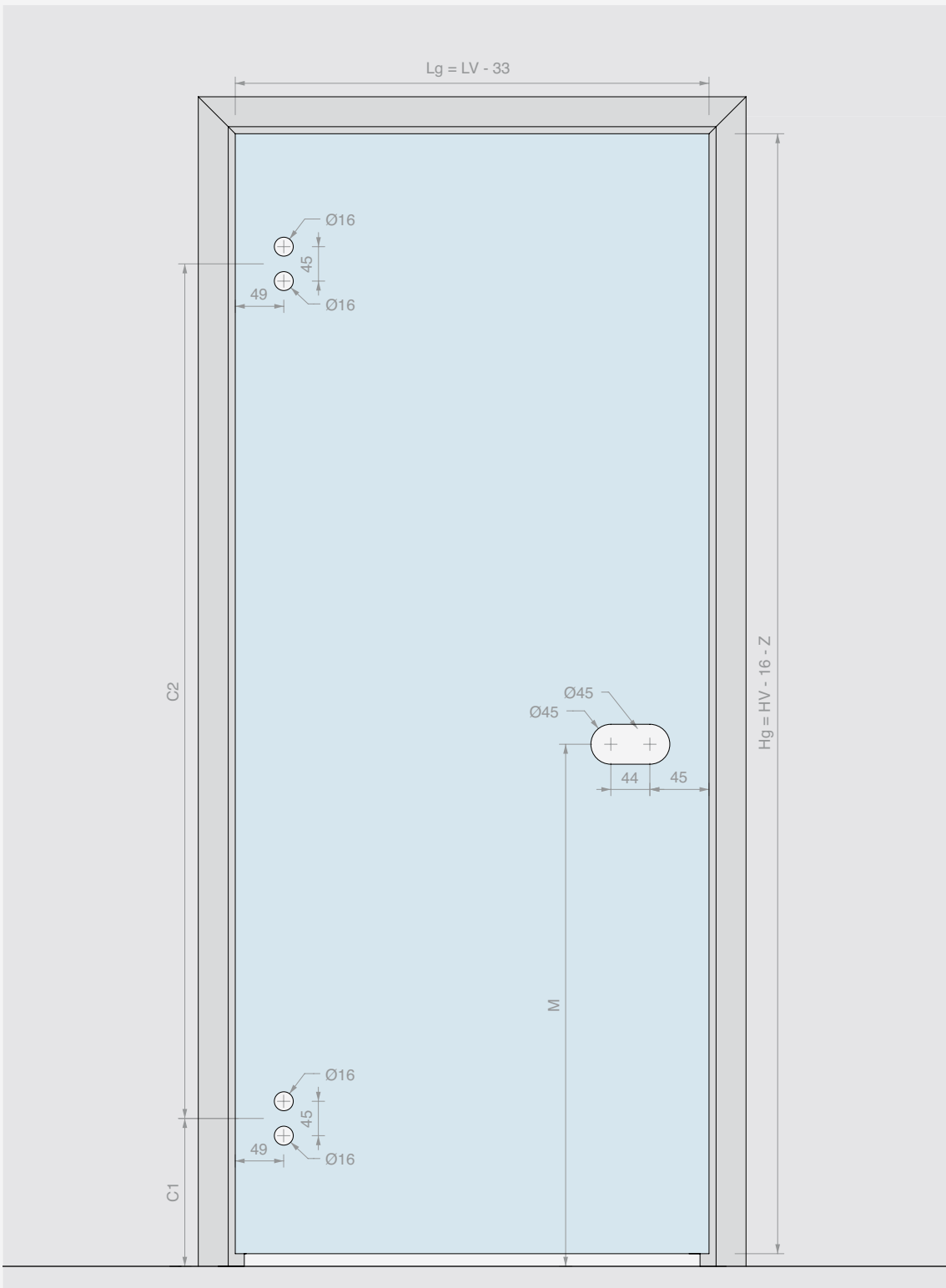
Art.	Description	Qty
IMB43KIT	IMBOTTE Z-SHAPED door panel kit	1 Pc
CER148AL	Rounded hinge for door jambs	2 Pcs
AP1203BORH	Mechanical lock with hole for cylinder	1 Pc
APHANDRC	Rounded closed handle	1 Pc
SERH17	Lock strike plate	1 Pc
LAVPRO2	Custom processing	1 Pc
CISA2227U	European cylinder single key	1 Pc
CISA2227D	European cylinder different key	1 Pc



Art.	Description	For glass	Key	Qty
IMB43148KITU	IMBOTTE Z-SHAPED 148AL full kit cut to size	From 8 to 10.7 mm	Single key	1 Pc
IMB43148KITD	IMBOTTE Z-SHAPED 148AL full kit cut to size	From 8 to 10.7 mm	Different key	1 Pc
IMB43148KITSC	IMBOTTE Z-SHAPED 148AL full kit cut to size	From 8 to 10.7 mm	Without cylinder	1 Pc

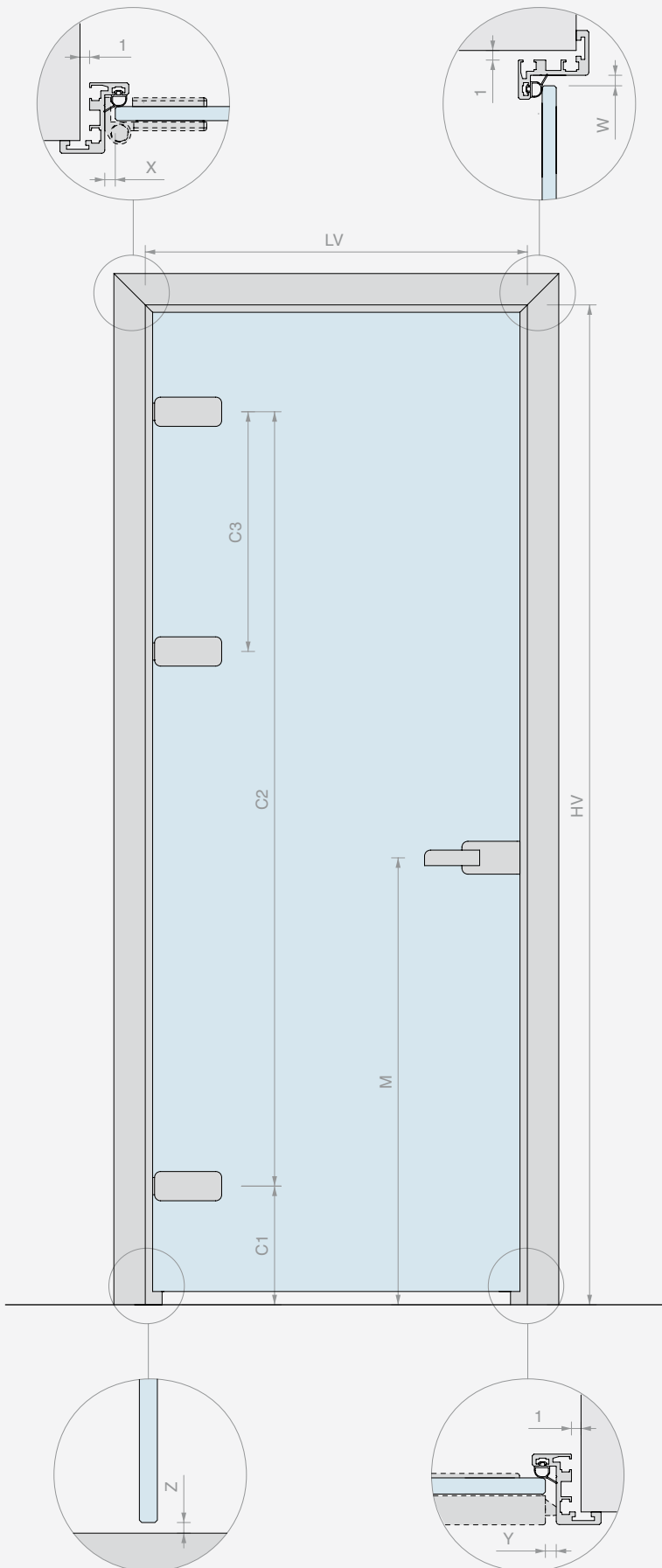


DIAGRAM AND RECCOMENDED GLASS SIZING





FORM TO ORDER CUSTOM IMBOTTE Z-SHAPED



PROFILE PROCESSING

DOOR OPENING SIZE

LV = _____ mm

HV = _____ mm

DOOR PANEL THICKNESS

_____ mm

OTHER DIMENSIONS

Values as per your suggestion

X = _____ mm

Z = _____ mm

Y = _____ mm

W = _____ mm

C1 = _____ mm

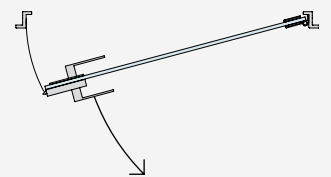
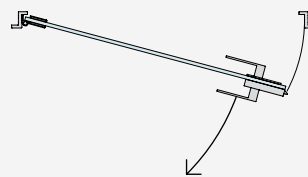
C2 = _____ mm

C3 = _____ mm (where present)

M = _____ mm

Left opening

Right opening



FINISH AND QUANTITY OF THE FULL KIT

/6 BLACK ALUMINIUM

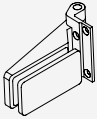
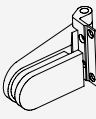
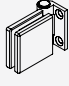
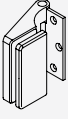
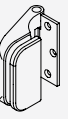
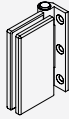
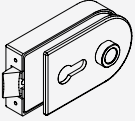
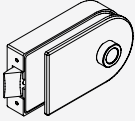
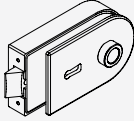
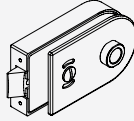
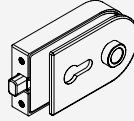
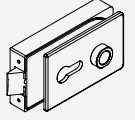
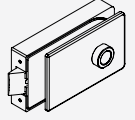
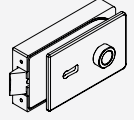
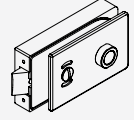
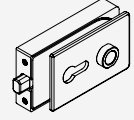
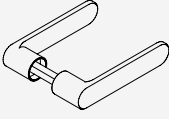
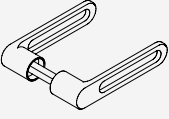
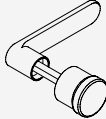
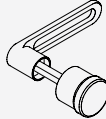
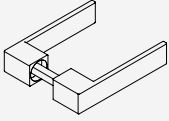
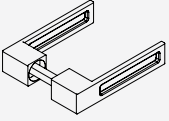
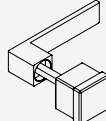
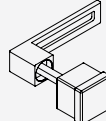
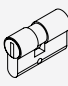
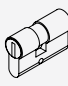
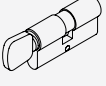


/97 MATT ALUMINIUM

Other _____

Qty = _____ Pcs



ACCESSORIES

HINGES				(attach technical data sheet)		
	<input type="checkbox"/> CER4ALSQ Squared hinge for door jambs	<input type="checkbox"/> CER4AL Rounded hinge for door jambs	<input type="checkbox"/> FA50 Squared hinge for narrow door jambs			
Qty = ___ Pcs				<input type="checkbox"/> OTHER		
	<input type="checkbox"/> CER148ALSQ Squared hinge for door jambs	<input type="checkbox"/> CER148AL Rounded hinge for door jambs	<input type="checkbox"/> FA100 Rectangular hinge for narrow door jambs			
LOCK						(attach technical data sheet)
	<input type="checkbox"/> AP1203BORH Mechanical lock with hole for cylinder	<input type="checkbox"/> AP1203BOST Mechanical lock without hole for cylinder	<input type="checkbox"/> AP1203BOPA Mechanical lock with patented key	<input type="checkbox"/> AP1203BOKS Mechanical lock free/occupied	<input type="checkbox"/> AP1203BOMG Magnetic lock with hole for cylinder	
Qty = ___ Pcs						<input type="checkbox"/> OTHER
	<input type="checkbox"/> AP2203BORH Mechanical lock with hole for cylinder	<input type="checkbox"/> AP2203BOST Mechanical lock without hole for cylinder	<input type="checkbox"/> AP2203BOPA Mechanical lock with patented key	<input type="checkbox"/> AP2203BOKS Mechanical lock free/occupied	<input type="checkbox"/> AP2203BOMG Magnetic lock with hole for cylinder	
HANDLE						
	<input type="checkbox"/> APHANDRC Rounded closed handle	<input type="checkbox"/> APHANDRH Rounded open handle	<input type="checkbox"/> APHAFKRC Rounded closed handle with fixed door knob			<input type="checkbox"/> APHAFKRH Rounded open handle, with fixed door knob
Qty = ___ Pcs						
	<input type="checkbox"/> APHANDSC Squared closed handle	<input type="checkbox"/> APHANDSH Squared open handle	<input type="checkbox"/> APHAFKSC Squared closed handle with fixed door knob			<input type="checkbox"/> APHAFKSH Squared closed handle, with fixed door knob
CYLINDER (if required)						
Qty = ___ Pcs	<input type="checkbox"/> CISA2227D Cylinder different key	<input type="checkbox"/> CISA2227U Cylinder single key	<input type="checkbox"/> S1217U Cylinder, different key with door knob			
STRIKE PLATE			(attach technical data sheet)			
	<input type="checkbox"/> SERH17 Strike plate for mechanical latch	<input type="checkbox"/> APROIN17M Strike plate for magnetic latch				
Qty = ___ Pcs		<input type="checkbox"/> OTHER				



IMBOTTE L-SHAPED DOOR PANEL KIT

Material: Aluminium

Finish: /6 /97

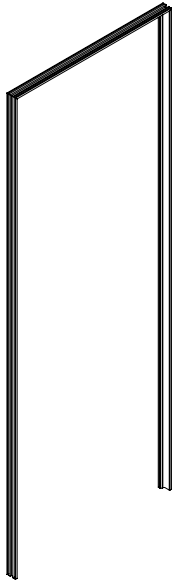
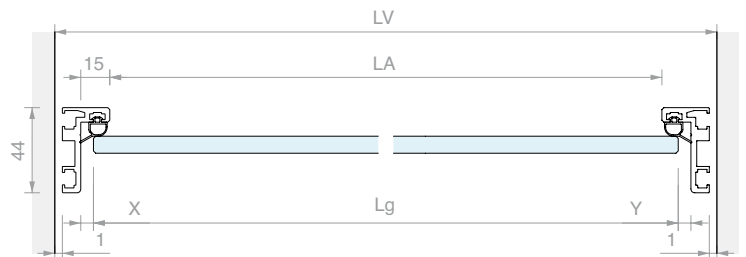


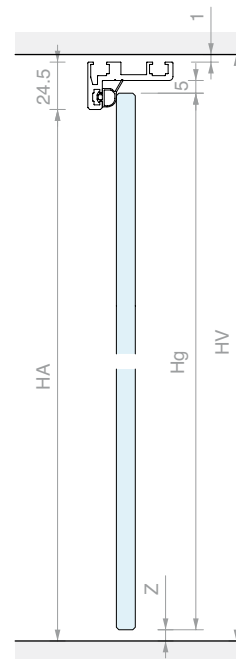
DIAGRAM AND RECOMMENDED GLASS SIZING

8/10.7
 LV+2*HV
 max 5965
 DOOR
 PANEL



Kit comprising:

Art.	Description	Qty
IMB2544	Internal door opening profile IMBOTTE L-SHAPED	1 Pc
PD001	4 joining brackets	1 Pc
IMBG	Grey door striker gasket	6 m
IMBCUT	Cut-to-size	1 Pc



FORMULAS

$$Lg = LV - (22 + X + Y)$$

$$Hg = HV - 16 - Z$$

OTHER DIMENSIONS

$$LA = LV - 51$$

$$HA = HV - 26$$

Dimensions X and Y depend on the hinges and lock used

Art.	Description	For glass	Qty
IMB25KIT	IMBOTTE L-SHAPED door panel kit cut to size	From 8 to 10.7 mm	1 Pc



IMBOTTE Z-SHAPED DOOR PANEL KIT

Material: Aluminium

Finish: /6 /97

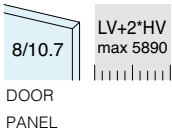
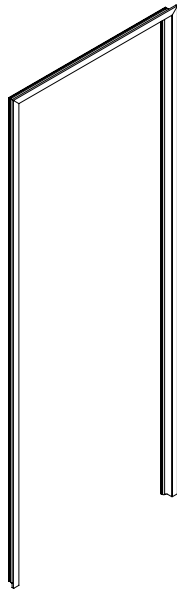
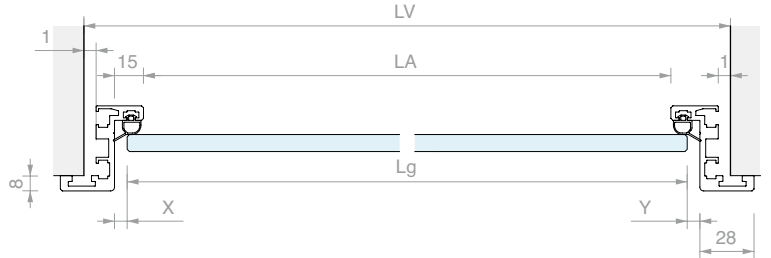
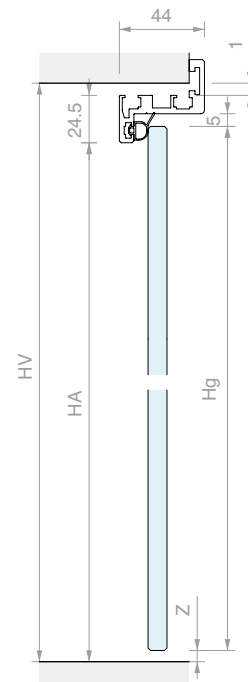


DIAGRAM AND RECCOMENDED GLASS SIZING



Kit comprising:

Art.	Description	Qty
IMB4344	IMBOTTE Z-SHAPED frame profile	1 Pc
PD001	4 joining brackets	1 Pc
PD002	4 alignment brackets	1 Pc
IMBG	Grey door striker gasket	6 m
IMBCUT	Cut-to-size	1 Pc



FORMULAS

$$Lg = LV - (22 + X + Y)$$

$$Hg = HV - 16 - Z$$

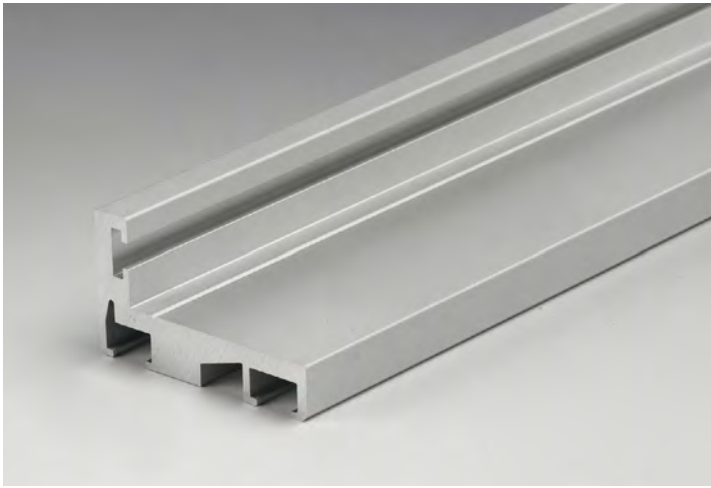
OTHER DIMENSIONS

$$LA = LV - 51$$

$$HA = HV - 26$$

Dimensions X and Y depend on the hinges and lock used

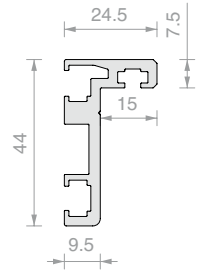
Art.	Description	For glass	Qty
IMB43KIT	IMBOTTE Z-SHAPED door panel kit cut to size	From 8 to 10.7 mm	1 Pc



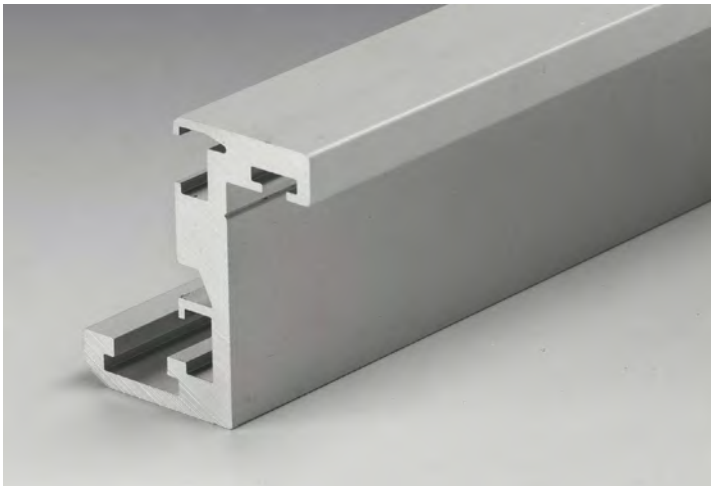
INTERNAL DOOR-OPENING PROFILE FOR L-SHAPED IMBOTTE DOORS

Material: Aluminium

Finish: /6 /10 /97



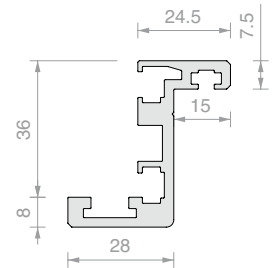
Art.	Length	For glass	Qty
IMB254415	1497 mm	From 8 to 10.7 mm	1 Pc
IMB254430	2998 mm	From 8 to 10.7 mm	1 Pc
IMB2544	6000 mm	From 8 to 10.7 mm	1 Pc



FRAME PROFILE FOR Z-SHAPED IMBOTTE DOORS

Material: Aluminium

Finish: /6 /10 /97



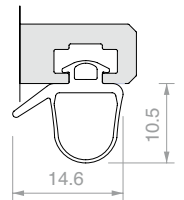
Art.	Length	For glass	Qty
IMB434415	1497 mm	From 8 to 10.7 mm	1 Pc
IMB434430	2998 mm	From 8 to 10.7 mm	1 Pc
IMB4344	6000 mm	From 8 to 10.7 mm	1 Pc



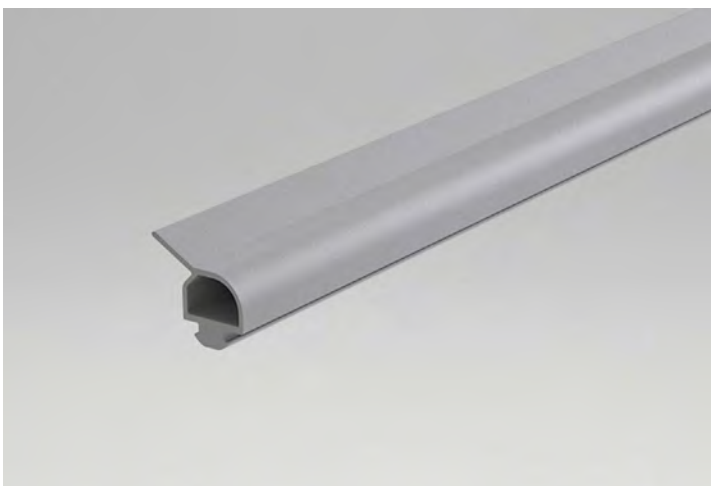
DOOR STRIKER GASKET

Material: Silicone

Finish: /6 /97



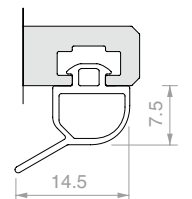
Art.	For glass	Qty
PD8A	From 8 to 10.76 mm	1 m



DOOR STRIKER GASKET

Material: TPE

Finish: /6 /97

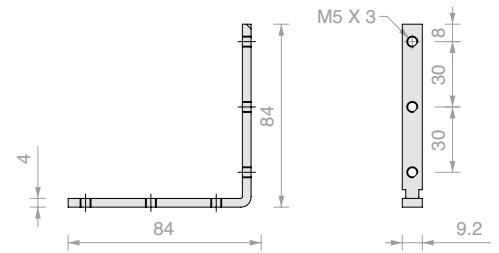


Art.	For glass	Qty
IMBG	From 8 to 10 mm	1 m



4 X 90° PROFILE JOINING BRACKETS

Material: AISI 304 steel



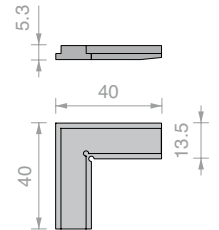
Art.	Qty
PD001	1 Pc



4 X 90° PROFILES ALIGNMENT BRACKETS

Material: POM

Finish: /6



Art.	Qty
PD002	1 Pc



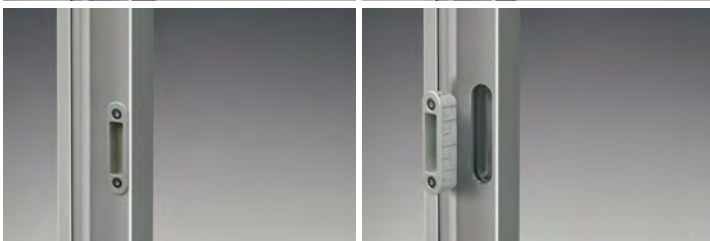
CALCULATION AND CUT AT 45° IMBOTTE IMB

Art.	Qty
IMBCUT	1 Pc



PROCESSING ON IMBOTTE

We advise completing the forms on pages 434/435, 440/441 also available in editable format online on our website



Art.	Processing	Qty
LAVCER	for 2 Logli hinges	1 Pc
LAVSER	for Logli strike plate	1 Pc
LAVPRO2	for 2 Logli hinges and 1 strike plate	1 Pc
LAVPRO3	for 3 Logli hinges and 1 strike plate	1 Pc

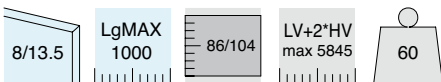
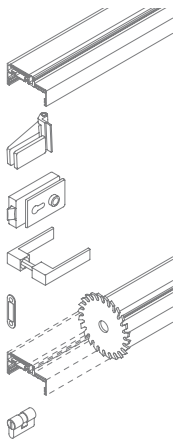


**IMBOTTE 100 4ALSQ
FULL KIT**

Material: Aluminium
Finish: /97

Kit comprising:

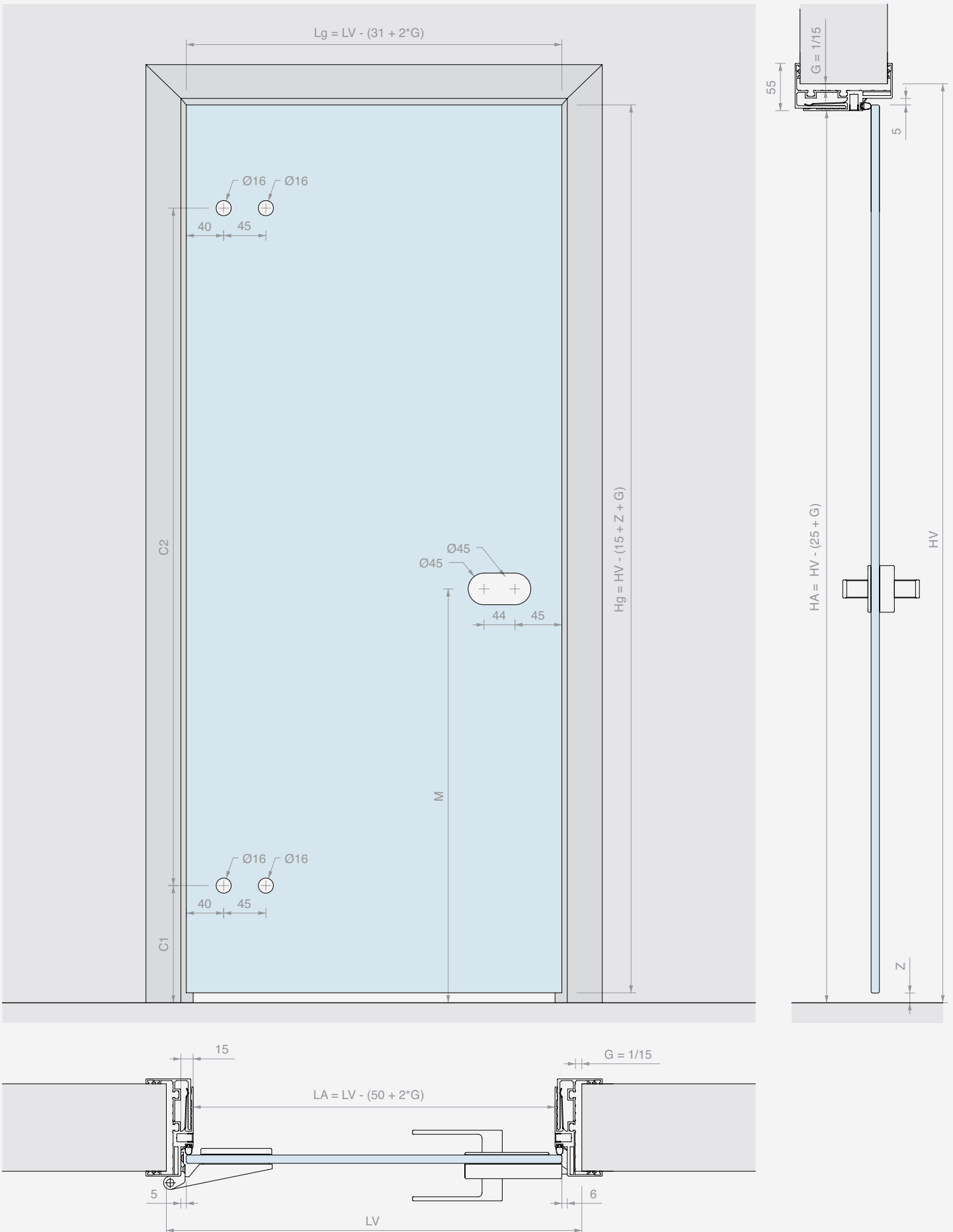
Art.	Description	Qty
IMBKIT100-8	Imbotte 100 door striker profile cut-to-size	1 Pc
CER4ALSQ	Squared hinge for door jambs	2 Pcs
AP2203BORH	Mechanical lock with hole for cylinder	1 Pc
APHANDSC	Squared closed handle	1 Pc
SERH17	Lock strike plate	1 Pc
LAVPRO2	Custom processing	1 Pc
CISA2227U / CISA2227D	European cylinder single key European cylinder different key	1 Pc



Art.	Description	Door panel	Wall thickness	Key	Qty
IMB1004SKITU	IMBOTTE 100 4ALSQ full kit cut to size	From 8 to 13.5 mm	From 86 to 104 mm	Single key	1 Pc
IMB1004SKITD	IMBOTTE 100 4ALSQ full kit cut to size	From 8 to 13.5 mm	From 86 to 104 mm	Different key	1 Pc
IMB1004SKITSC	IMBOTTE 100 4ALSQ full kit cut to size	From 8 to 13.5 mm	From 86 to 104 mm	Without cylinder	1 Pc



DIAGRAM AND RECOMMENDED GLASS SIZING



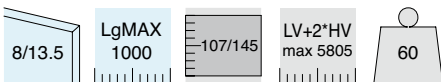
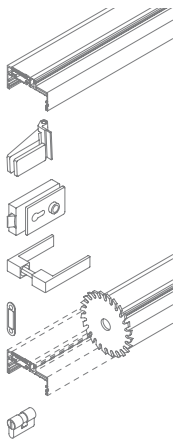


**IMBOTTE 90145 4ALSQ
FULL KIT**

Material: Aluminium
Finish: /97

Kit comprising:

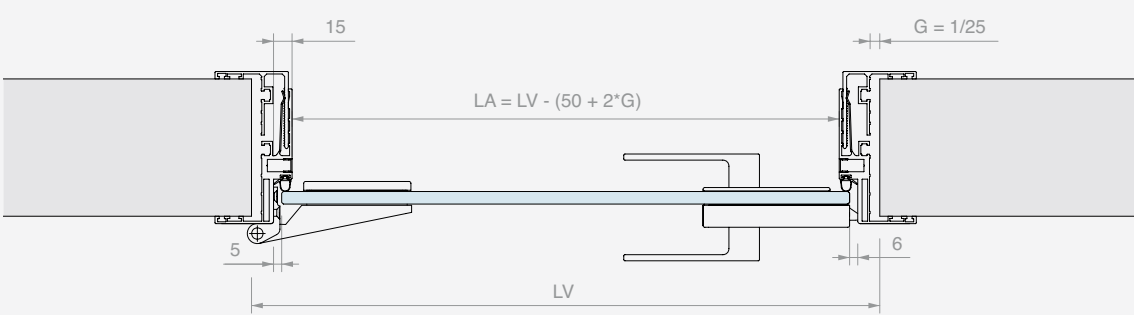
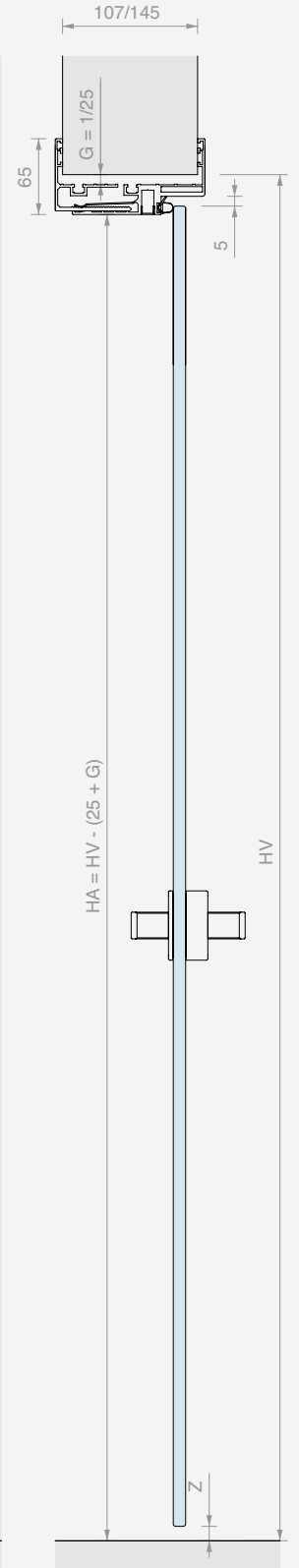
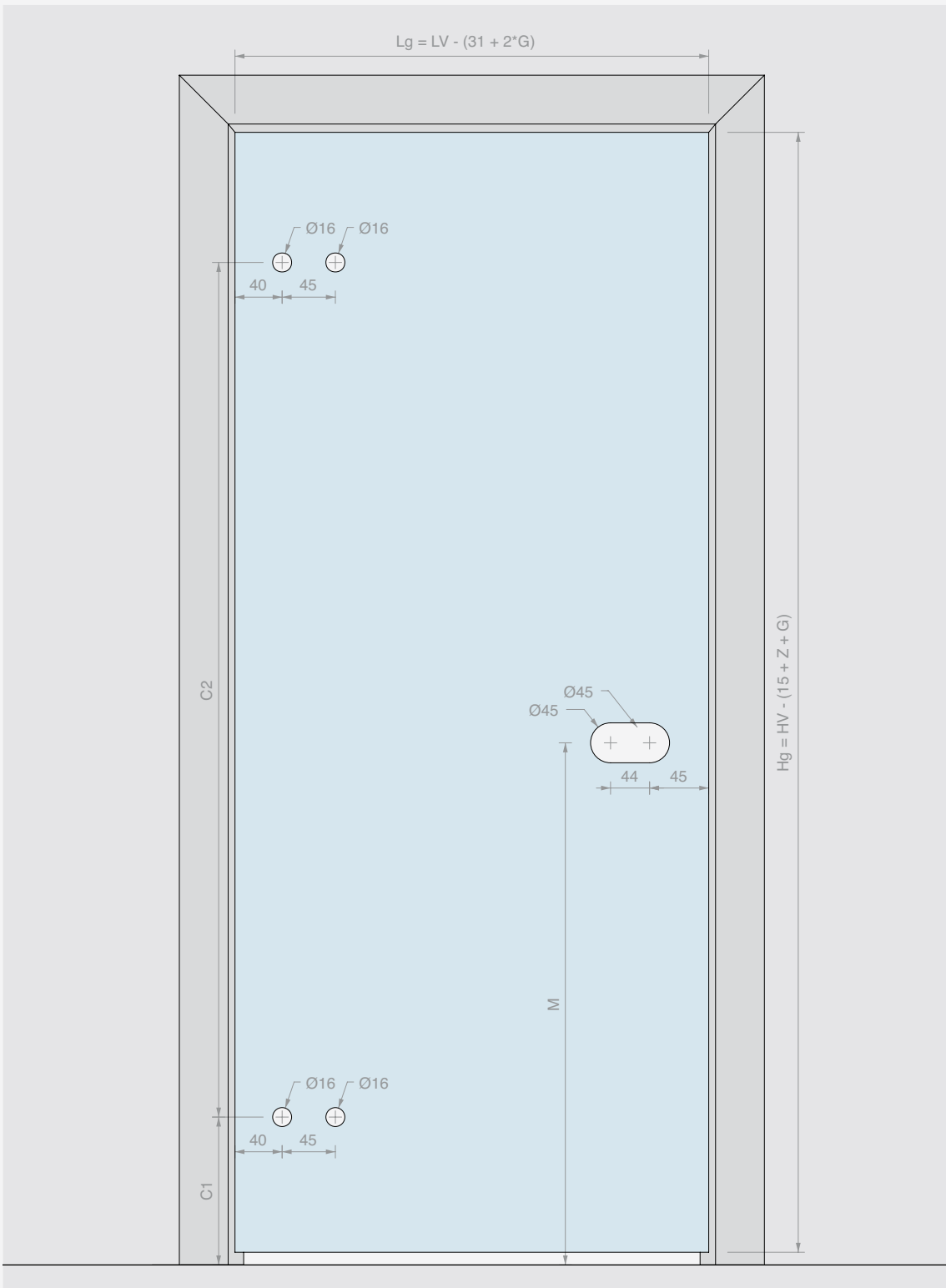
Art.	Description	Qty
IMBKIT8	Imbotte 90145 door striker profile cut-to-size	1 Pc
CER4ALSQ	Squared hinge for door jambs	2 Pcs
AP2203BORH	Mechanical lock with hole for cylinder	1 Pc
APHANDSC	Squared closed handle	1 Pc
SERH17	Lock strike plate	1 Pc
LAVPRO2	Custom processing	1 Pc
CISA2227U / CISA2227D	European cylinder single key European cylinder different key	1 Pc



Art.	Description	Door panel	Wall thickness	Key	Qty
IMB1454SKITU	IMBOTTE 90145 4ALSQ full kit cut to size	From 8 to 13.5 mm	From 107 to 145 mm	Single key	1 Pc
IMB1454SKITD	IMBOTTE 90145 4ALSQ full kit cut to size	From 8 to 13.5 mm	From 107 to 145 mm	Different key	1 Pc
IMB1454SKITSC	IMBOTTE 90145 4ALSQ full kit cut to size	From 8 to 13.5 mm	From 107 to 145 mm	Without cylinder	1 Pc

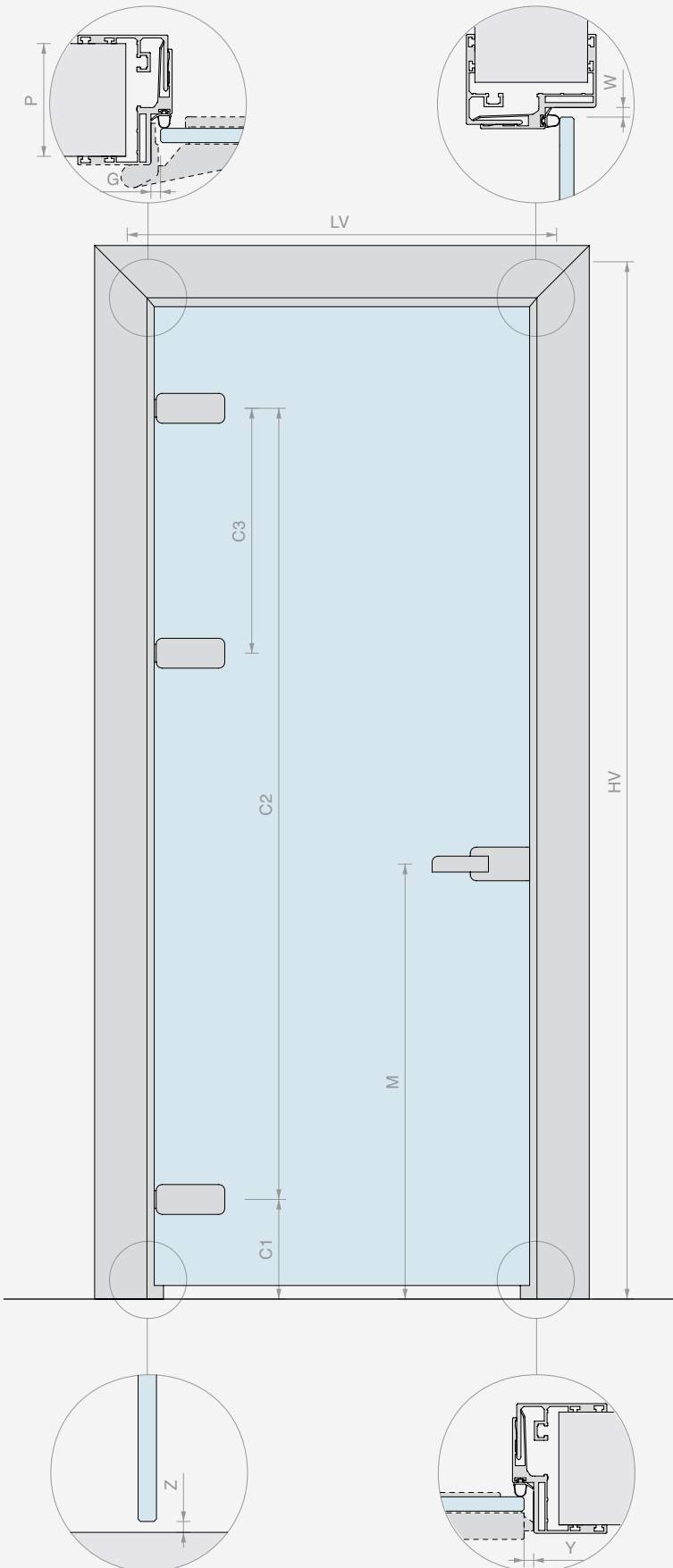


DIAGRAM AND RECOMMENDED GLASS SIZING





FORM TO ORDER CUSTOM IMBOTTE



PROFILE PROCESSING

DOOR OPENING SIZE

LV = _____ mm

HV = _____ mm

DOOR PANEL THICKNESS

_____ mm

WALL THICKNESS (P)

86/104 107/145

OTHER DIMENSIONS

Values as per your suggestion

X = _____ mm

Z = _____ mm

Y = _____ mm

W = _____ mm

C1 = _____ mm

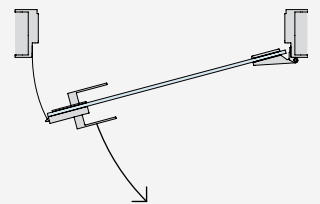
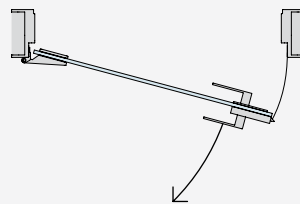
C2 = _____ mm

C3 = _____ mm (where present)

M = _____ mm

Left opening

Right opening



FINISH AND QUANTITY OF THE FULL KIT

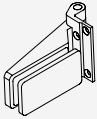
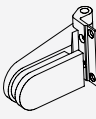
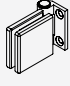
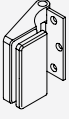
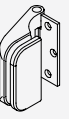
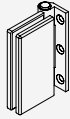
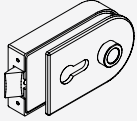
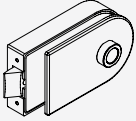
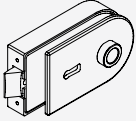
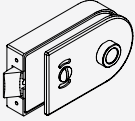
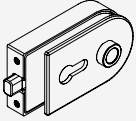
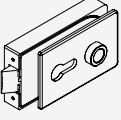
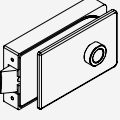
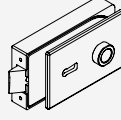
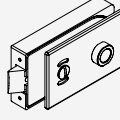
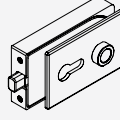
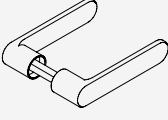
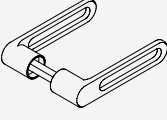
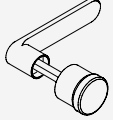
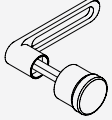
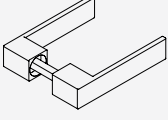
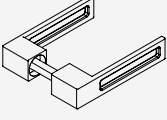
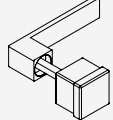
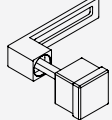
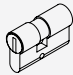
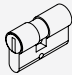
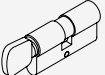


/97 MATT ALUMINIUM

Other _____

Qty = _____ Pcs



ACCESSORIES

HINGES				(attach technical data sheet)		
	<input type="checkbox"/> CER4ALSQ Squared hinge for door jambs	<input type="checkbox"/> CER4AL Rounded hinge for door jambs	<input type="checkbox"/> FA50 Squared hinge for narrow jambs			
Qty = ___ Pcs				<input type="checkbox"/> OTHER		
	<input type="checkbox"/> CER148ALSQ Squared hinge for door jambs	<input type="checkbox"/> CER148AL Rounded hinge for door jambs	<input type="checkbox"/> FA100 Rectangular hinge for narrow door jambs			
LOCK						(attach technical data sheet)
	<input type="checkbox"/> AP1203BORH Mechanical lock with hole for cylinder	<input type="checkbox"/> AP1203BOST Mechanical lock without hole for cylinder	<input type="checkbox"/> AP1203BOPA Mechanical lock with patented key	<input type="checkbox"/> AP1203BOKS Mechanical lock free/occupied	<input type="checkbox"/> AP1203BOMG Magnetic lock with hole for cylinder	
Qty = ___ Pcs						<input type="checkbox"/> OTHER
	<input type="checkbox"/> AP2203BORH Mechanical lock with hole for cylinder	<input type="checkbox"/> AP2203BOST Mechanical lock without hole for cylinder	<input type="checkbox"/> AP2203BOPA Mechanical lock with patented key	<input type="checkbox"/> AP2203BOKS Mechanical lock free/occupied	<input type="checkbox"/> AP2203BOMG Magnetic lock with hole for cylinder	
HANDLE						
	<input type="checkbox"/> APHANDRC Rounded closed handle	<input type="checkbox"/> APHANDRH Rounded open handle	<input type="checkbox"/> APHAFKRC Rounded closed handle with fixed door knob			<input type="checkbox"/> APHAFKRH Rounded open handle, with fixed door knob
Qty = ___ Pcs						
	<input type="checkbox"/> APHANDSC Squared closed handle	<input type="checkbox"/> APHANDSH Squared open handle	<input type="checkbox"/> APHAFKSC Squared closed handle with fixed door knob			<input type="checkbox"/> APHAFKSH Squared open handle, with fixed door knob
CYLINDER (if required)						
Qty = ___ Pcs	<input type="checkbox"/> CISA2227D Cylinder different key	<input type="checkbox"/> CISA2227U Cylinder single key	<input type="checkbox"/> S1217U Cylinder, different key with door knob			
STRIKE PLATE			(attach technical data sheet)			
	<input type="checkbox"/> SERH17 Strike plate for mechanical latch	<input type="checkbox"/> APROIN17M Strike plate for magnetic latch				
Qty = ___ Pcs	<input type="checkbox"/> OTHER					



IMBOTTE 100 DOOR PANEL KIT

Material: Aluminium

Finish: /97

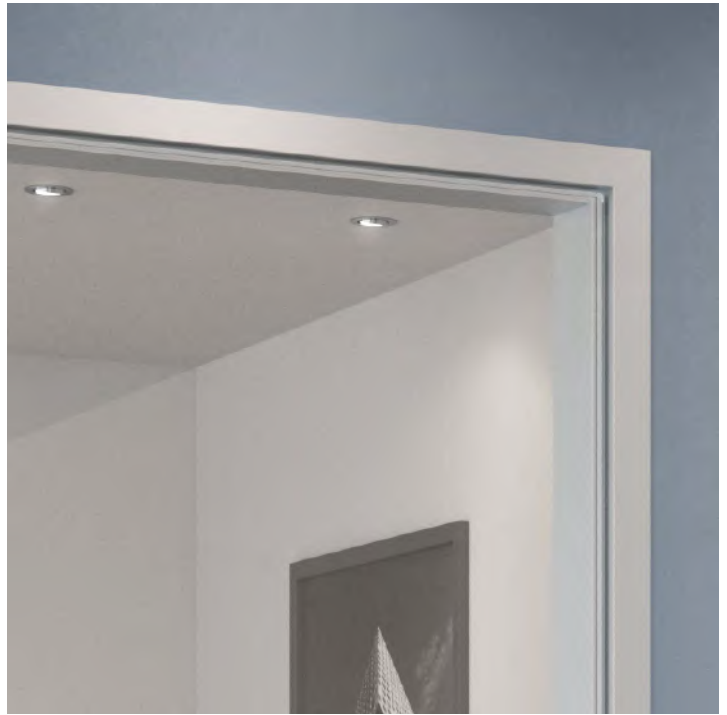
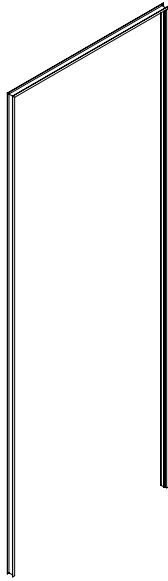
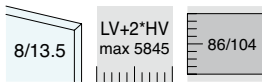
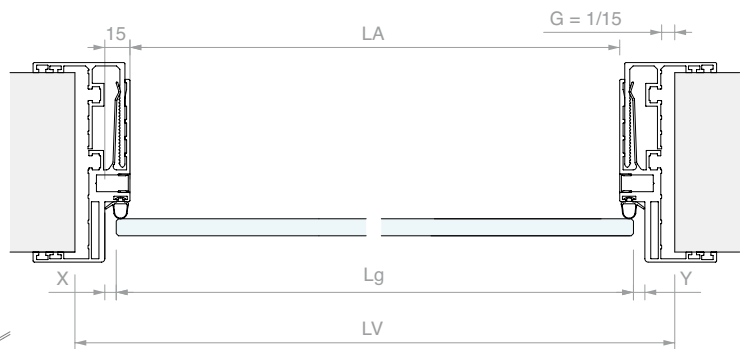


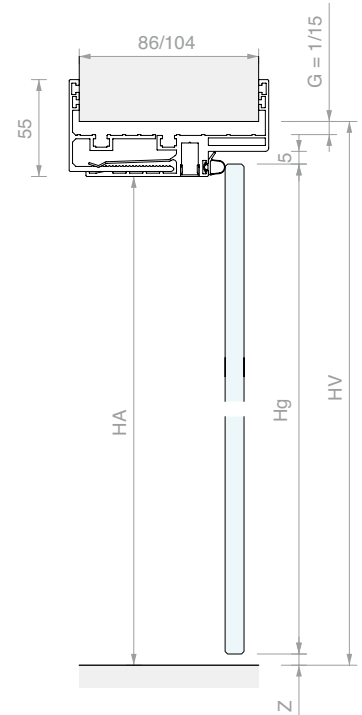
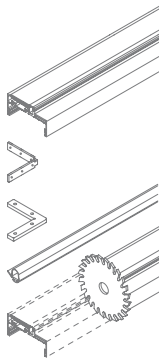
DIAGRAM AND RECOMMENDED GLASS SIZING



DOOR
PANEL

Kit comprising:

Art.	Description	Qty
IBT100	Frame profile for door panels	1 Pc
PD001	4 joining brackets	1 Pc
PD003	4 alignment brackets	1 Pc
PD8A	Grey door striker gasket	6 m
IMBCUT	Cut-to-size	1 Pc



FORMULAS

$$Lg = LV - (20 + X + Y + 2*G)$$

$$Hg = HV - (15 + Z + G)$$

OTHER DIMENSIONS

$$LA = LV - (50 + 2*G)$$

$$HA = HV - (25 + G)$$

Art.	Description	Door panel	Wall thickness	Qty
IMBKIT100-8	IMBOTTE 100 door panel kit cut to size	From 8 to 13.7 mm	From 86 to 104 mm	1 Pc



IMBOTTE 90145 DOOR PANEL KIT

Material: Aluminium

Finish: /97

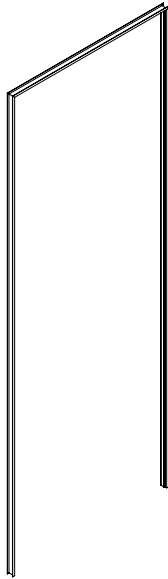
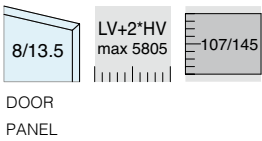
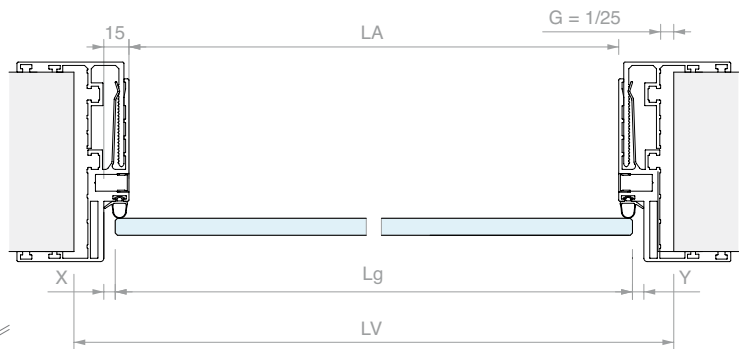
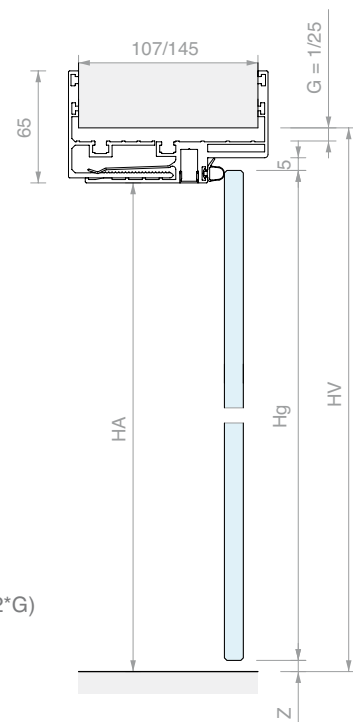
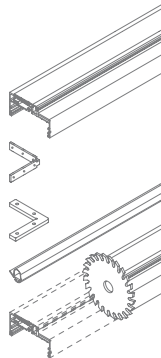


DIAGRAM AND RECOMMENDED GLASS SIZING



Kit comprising:

Art.	Description	Qty
IBT90145	Frame profile for door panels	1 Pc
PD001	4 joining brackets	1 Pc
PD003	4 alignment brackets	1 Pc
PD8A	Grey door striker gasket	6 m
IMBCUT	Cut-to-size	1 Pc



FORMULAS

$$Lg = LV - (20 + X + Y + 2 * G)$$

$$Hg = HV - (15 + Z + G)$$

OTHER DIMENSIONS

$$LA = LV - (50 + 2 * G)$$

$$HA = HV - (25 + G)$$

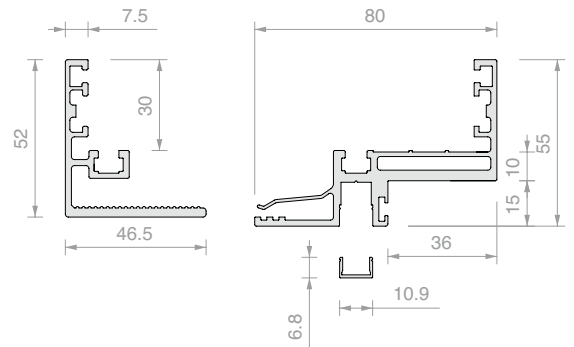
Art.	Description	Door panel	Wall thickness	Qty
IMBKIT8	IMBOTTE 90145 door panel kit cut to size	From 8 to 13.7 mm	From 107 to 145 mm	1 Pc



FRAME PROFILE FOR IMBOTTE 100 DOOR PANELS

Material: Aluminium

Finish: /97



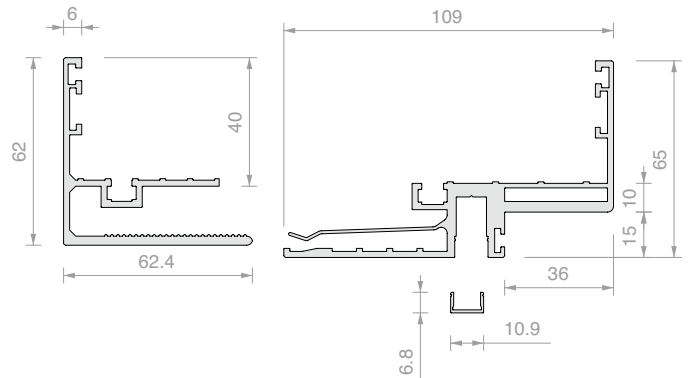
Art.	Length	For glass	Wall thickness	Qty
IBT10015	1497 mm	From 8 to 13.5 mm	From 86 to 104 mm	1 Pc
IBT10030	2998 mm	From 8 to 13.5 mm	From 86 to 104 mm	1 Pc
IBT100	6000 mm	From 8 to 13.5 mm	From 86 to 104 mm	1 Pc



FRAME PROFILE FOR IMBOTTE 90145 DOOR PANELS

Material: Aluminium

Finish: /97



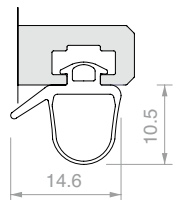
Art.	Length	For glass	Wall thickness	Qty
IBT9014515	1497 mm	From 8 to 13.5 mm	From 107 to 145 mm	1 Pc
IBT9014530	2998 mm	From 8 to 13.5 mm	From 107 to 145 mm	1 Pc
IBT90145	6000 mm	From 8 to 13.5 mm	From 107 to 145 mm	1 Pc



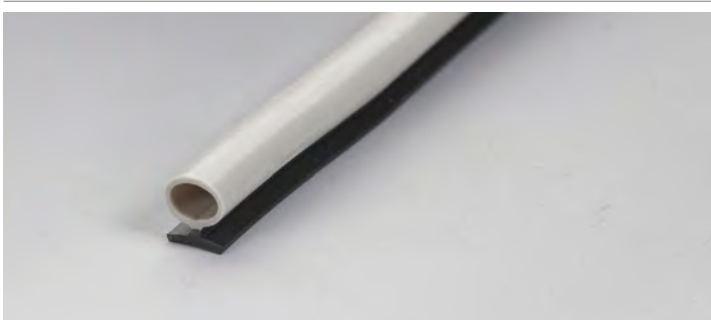
DOOR STRIKER GASKET

Material: Silicone

Finish: /6 /97



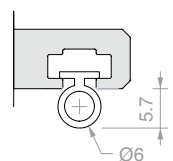
Art.	For glass	Qty
PD8A	From 8 to 10.76 mm	1 m



DOOR STRIKER GASKET

Material: PVC

Finish: /6 /97

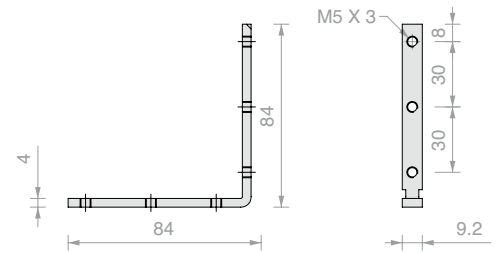


Art.	For glass	Qty
PD12	From 11.52 to 13.52 mm	1 m



4 X 90° PROFILE JOINING BRACKETS

Material: AISI 304 steel

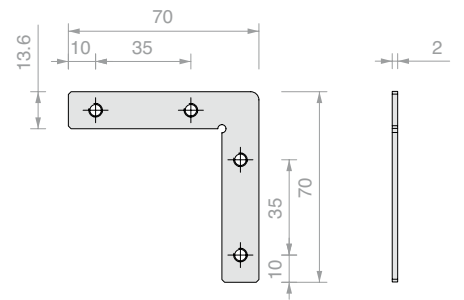


Art.	Qty
PD001	1 Pc



4 X 90° IMBOTTE ALIGNMENT BRACKETS

Material: AISI 304 steel



Art.	Qty
PD003	1 Pc



CALCULATION AND CUT AND 45° IMBOTTE IBT

Art.	Qty
IBTCUT	1 Pc



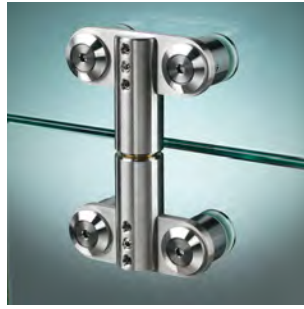
CUSTOM PROCESSING ON DOOR STRIKER PROFILES

We advise completing the forms on pages 450/451 also available in editable format online on our website

Art.	Processing	Qty
LAVCER	for 2 Logli hinges	1 Pc
LAVSER	for Logli strike plate	1 Pc
LAVPRO2	for 2 Logli hinges and 1 strike plate	1 Pc
LAVPRO3	for 3 Logli hinges and 1 strike plate	1 Pc

SYSTEMS FOR HINGED DOORS





PIVOT HINGES

Page 459



DOOR CLOSER

Page 494



**HYDRAULIC
PIVOT HINGE**

Page 505



SIDE HINGES

Page 509



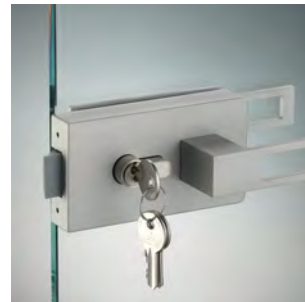
**SIDE SPRING
HINGES**

Page 523



HINGES FOR DOOR JAMBS

Page 517



MODULAR LOCKS

Page 525



DOOR STOPS

Page 554



GLASS SEALING GASKETS

Page 556



**BOTTOM SEALING
PROFILES**

Page 558



NOTE: dimensions marked with an asterisk must be checked, depending on the other components used on the glass. In case of any doubts, please contact the LOGLI Customer Car department.

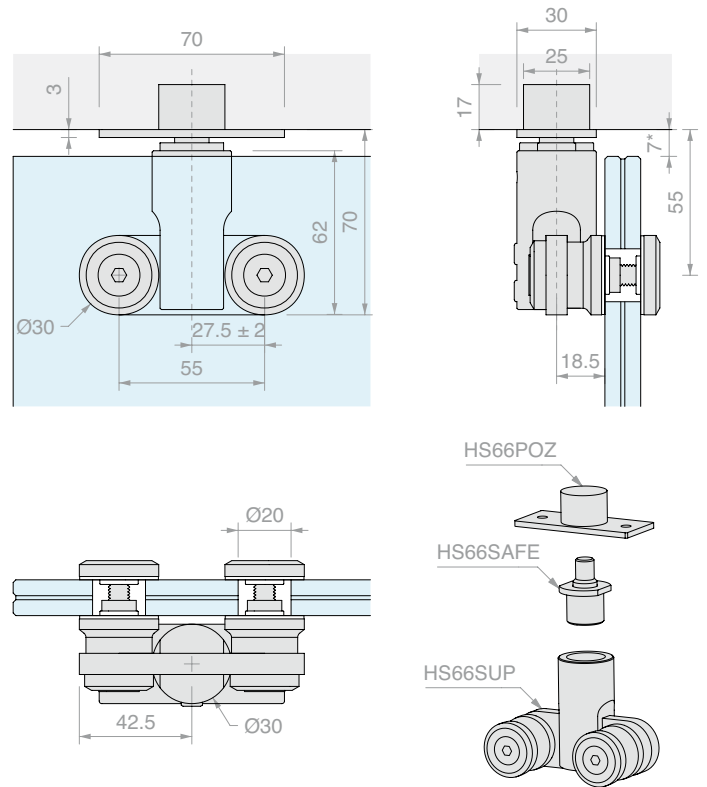


UPPER HINGE KIT HS66

Material: AISI 316 steel

Recommended glass hole size Ø20 mm

Finish: /9



Art.	For glass	Qty
HS66100	From 8 to 13.5 mm	1 Pc

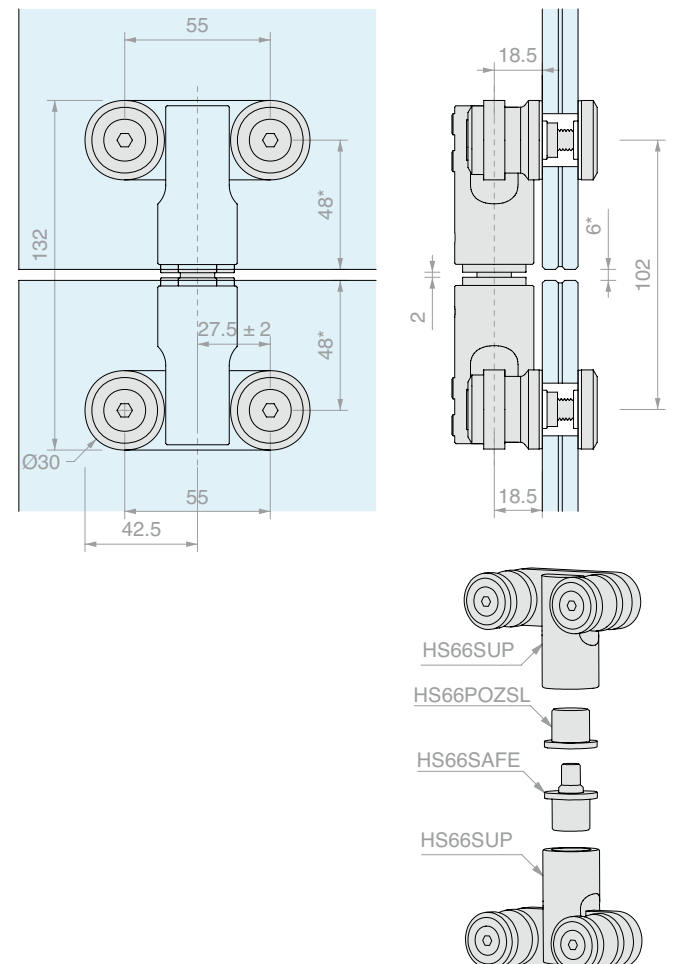


HINGE KIT FOR TRANSOM HS66

Material: AISI 316 steel

Recommended glass hole size Ø20 mm

Finish: /9



Art.	For glass	Qty
HS66200	From 8 to 13.5 mm	1 Pc

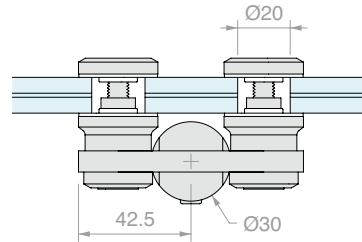
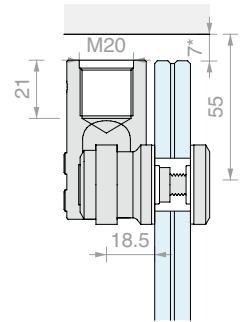
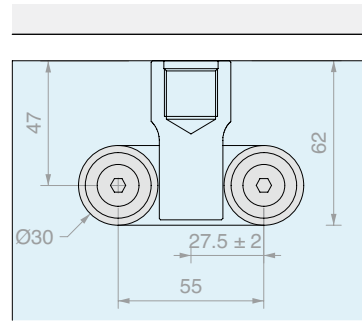


HS66 UPPER

Material: AISI 316 steel

Recommended glass hole size Ø20 mm

Finish: /9



Art.	For glass	Qty
HS66SUP	From 8 to 13.5 mm	1 Pc

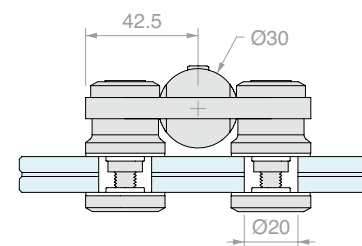
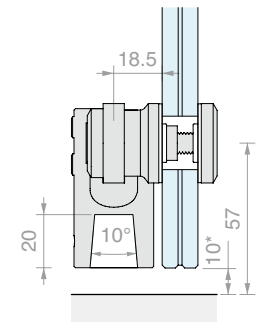
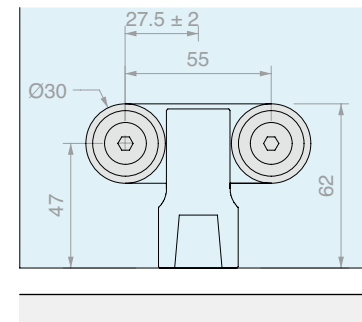


HS66 LOWER

Material: AISI 316 steel

Recommended glass hole size Ø20 mm

Finish: /9



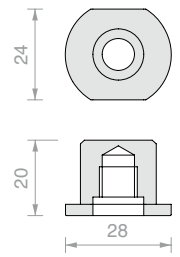
Art.	For glass	Fixing	Qty
HS66INF	From 8 to 13.5 mm	French	1 Pc



SOCKET FOR TRANSOM

Material: Brass

For a transom with upper socket together with Art. HS66SUP



Art.

HS66POZSL

Q.ty

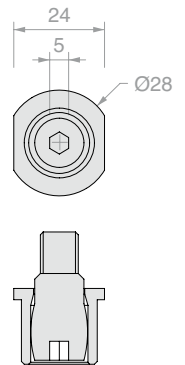
1 Pc



"SAFE SEAT" PIN

Material: Brass

Pivot with "safe seat" safety technology for supporting the door if the glass panel breaks



Art.

HS66SAFE

Q.ty

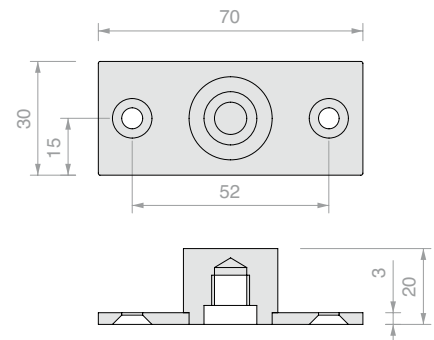
1 Pc



UPPER CEILING SOCKET

Material: AISI 316 steel

Finish: /8



Art.

HS66POZ

Q.ty

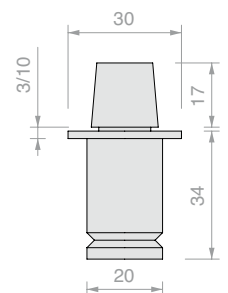
1 Pc



FLOOR PIN HD3303

Material: Brass

Finish: /1 /3



Art.

HD3303

Fixing

French

Qty

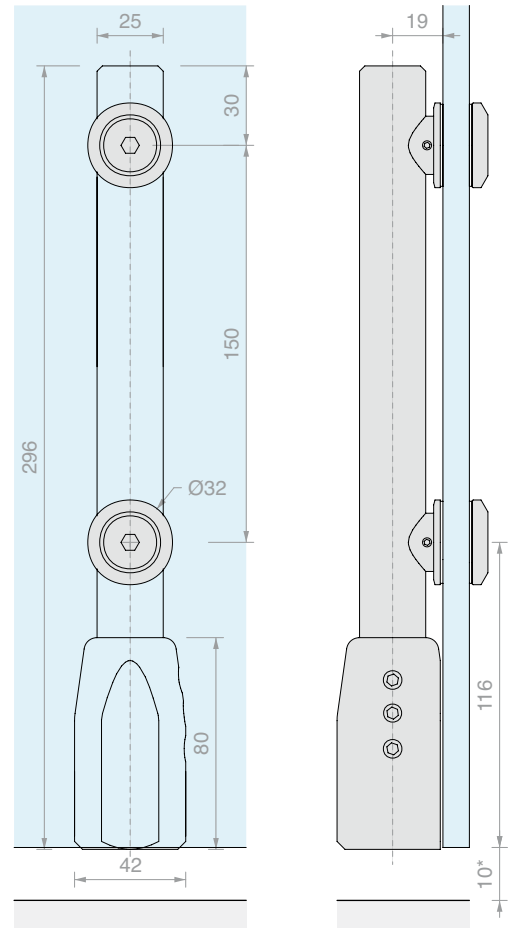
1 Pc





LOWER PIVOT HINGE

Material: AISI 316 steel
 Recommended glass hole size Ø18 mm
 Finish: /9

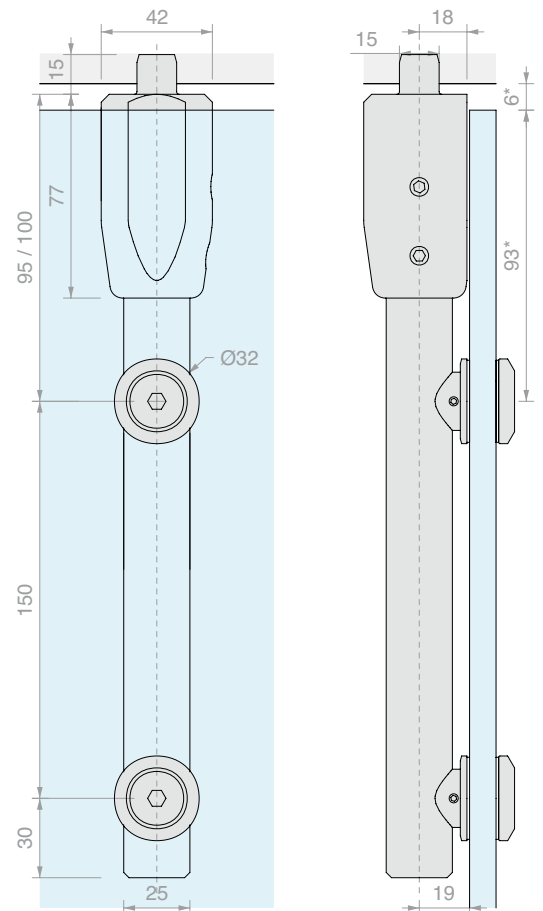


Art.	For glass	Fixing	Qty
PIVOTB002	From 10 to 13.5 mm	German	1 Pc



UPPER PIVOT HINGE

Material: AISI 316 steel
 Recommended glass hole size Ø18 mm
 For ceiling mounting, requires socket
 Art. PIVOTS011.
 Finish: /9



Art.	For glass	Qty
PIVOTB004	From 10 to 13.5 mm	1 Pc

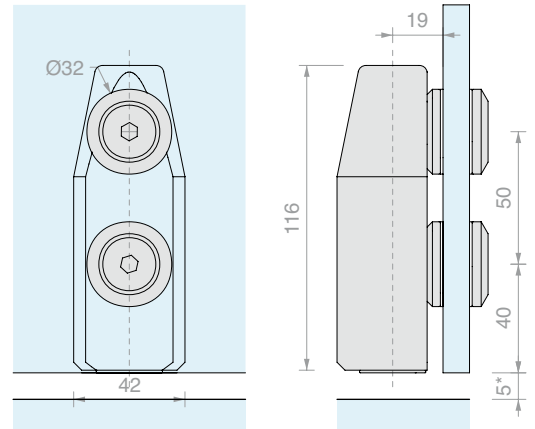


TRANSOM FITTING 006

Material: AISI 316 steel

Recommended glass hole size Ø18 mm

Finish: /9



Art.	For glass	Qty
PIVOTB006	From 10 to 13.5 mm	1 Pc

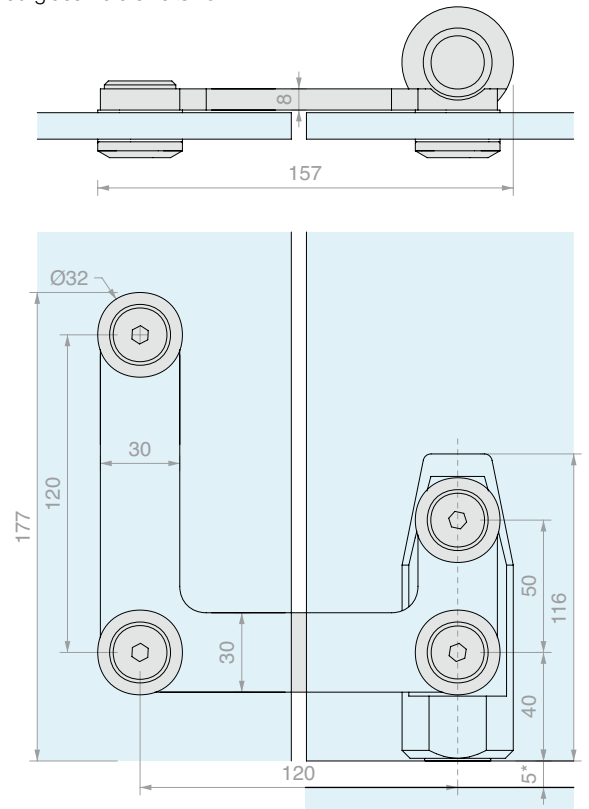


TRANSOM FITTING WITH BRACKET 008

Material: AISI 316 steel

Recommended glass hole size Ø18 mm

Finish: /9

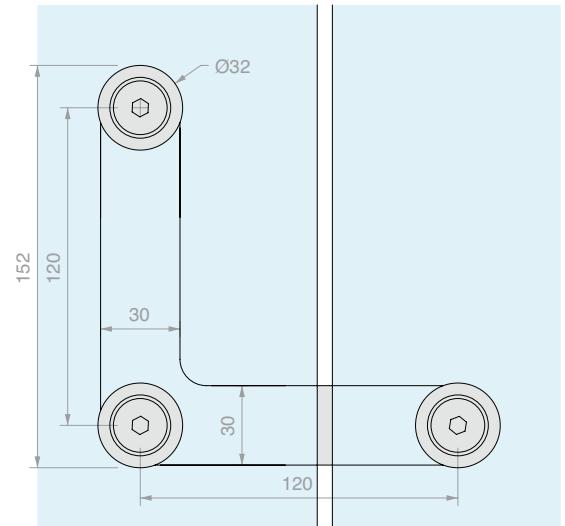
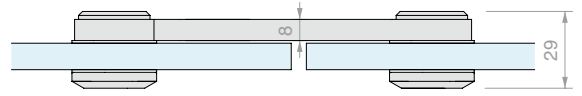


Art.	For glass	Qty
PIVOTB008	From 10 to 13.5 mm	1 Pc



BRACKET WITH CONNECTORS

Material: AISI 316 steel
 Recommended glass hole size Ø18 mm
 Finish: /9

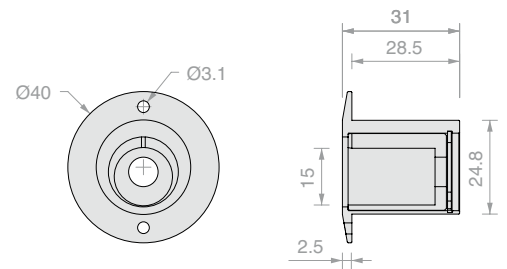


Art.	For glass	Qty
PIVOTB010	From 10 to 13.5 mm	1 Pc



UPPER ECCENTRIC SOCKET

Material: AISI 316 steel
 Finish: /9
 Alternatively, Art. HS1010SPL may be used

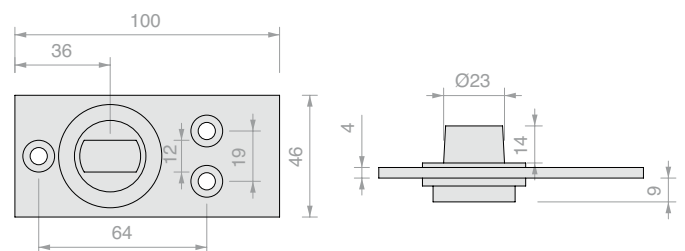


Art.	Qty
PIVOTS011	1 Pc



FREE FLOOR PIN WITH PLATE

Material: AISI 304 steel
 Comes with 3 screws for anchoring to the floor and a trim plate for the black plastic ferrule.
 Finish: /8



Art.	Fixing	Qty
PIVOTS014	German	1 Pc

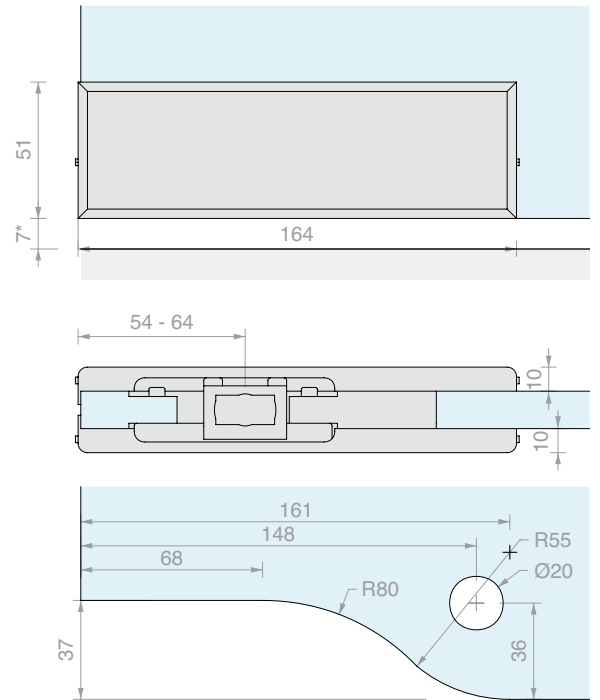




LOWER HINGE GF100

Material: Aluminium body, stainless steel AISI 316 cover

Finish: /8 /15



Art.	For glass	Fixing	Qty
GF100	From 10 to 13.5 mm	German	1 Pc

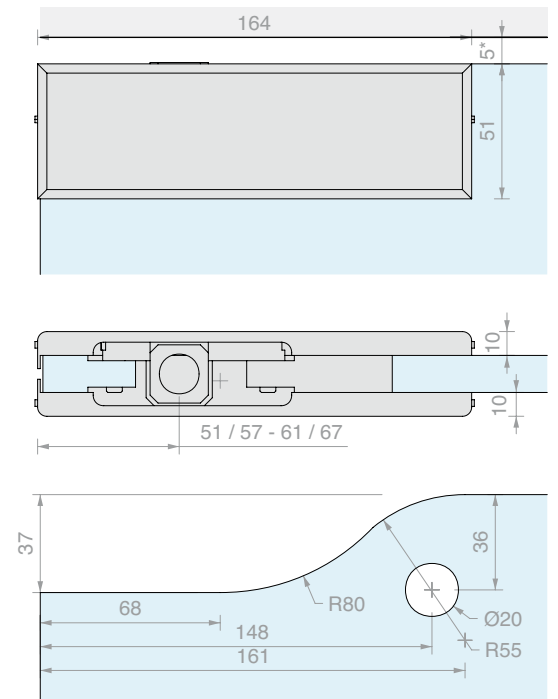


UPPER HINGE GF200

Material: Aluminium body, stainless steel AISI 316 cover

For ceiling mounting, requires pivot Art. GL8815 or GL8819.

Finish: /8 /15



Art.	For glass	Qty
GF200	From 10 to 13.5 mm	1 Pc

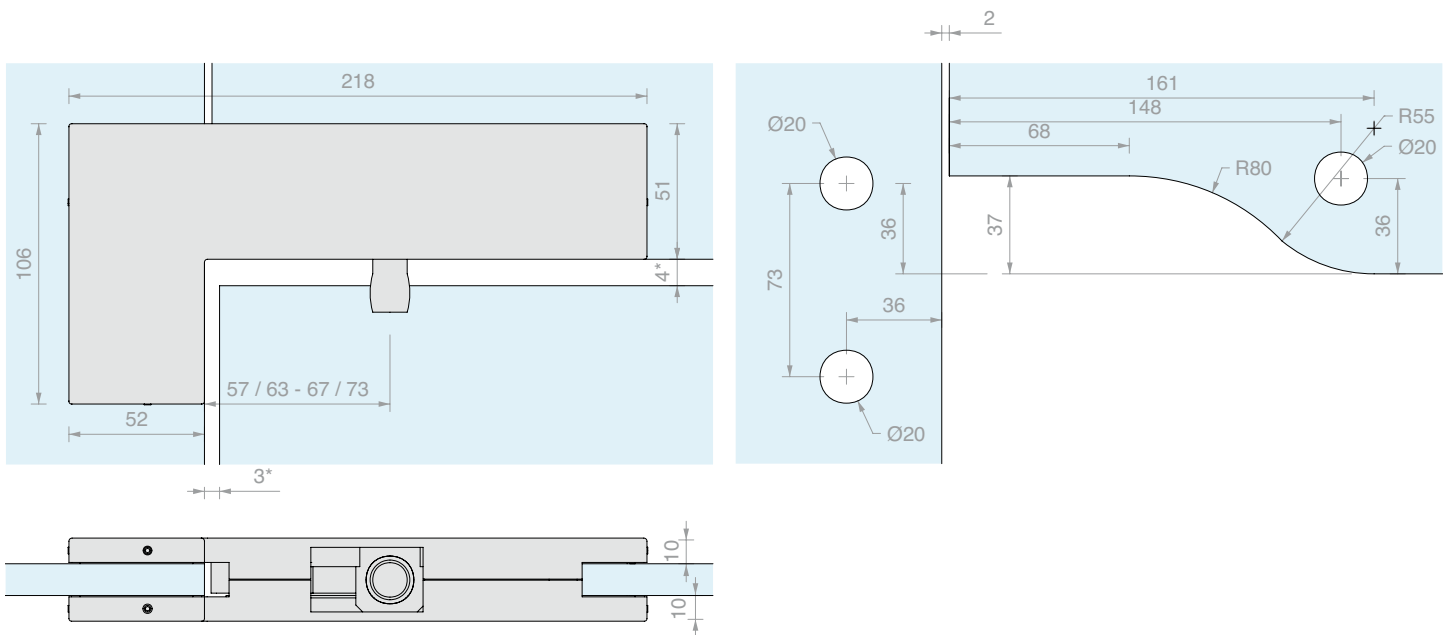


TRANSOM HINGE GF400

Material: Aluminium body, stainless steel AISI 316 cover

Optional door stop Art. GL7200

Finish: /8 /15



Art.	For glass	Qty
GF400	From 10 to 13.5 mm	1 Pc

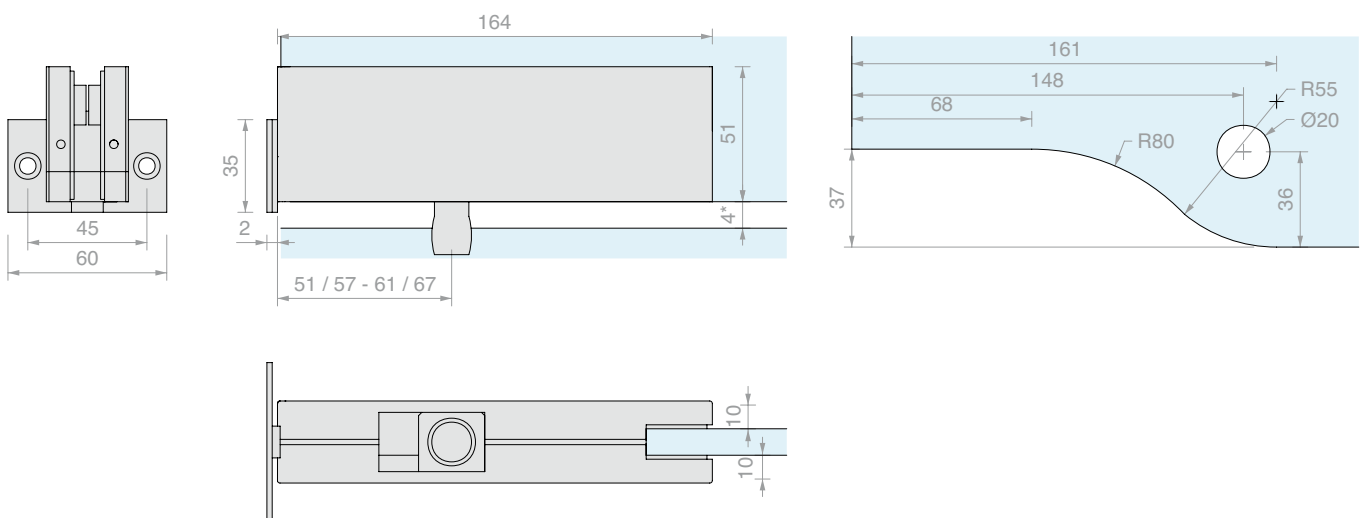


WALL HINGE FOR TRANSOM GF210

Material: Aluminium body, stainless steel AISI 316 cover

Removable wall plate

Finish: /8 /15



Art.	For glass	Qty
GF210	From 10 to 13.5 mm	1 Pc

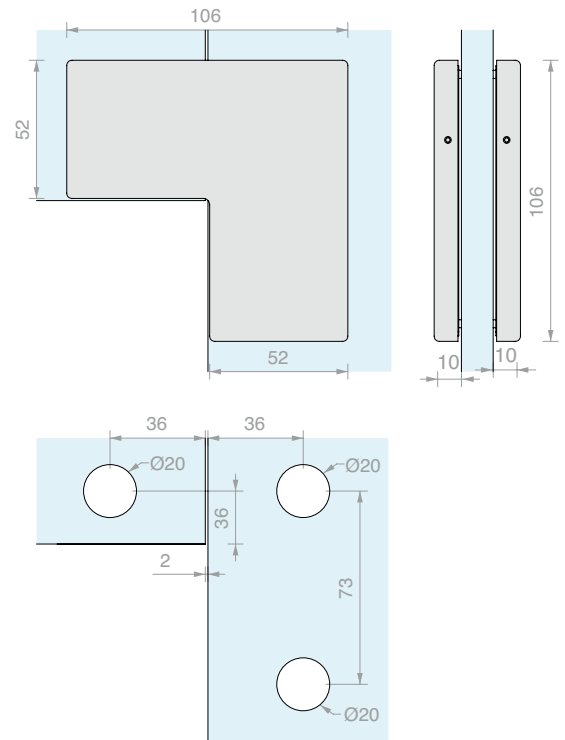


L-CLAMP GF600

Material: Aluminium body, stainless steel AISI 316 cover

Supplied with door stop Art. GL7100

Finish: /8 /15



Art.	For glass	Qty
GF600	From 10 to 13.5 mm	1 Pc

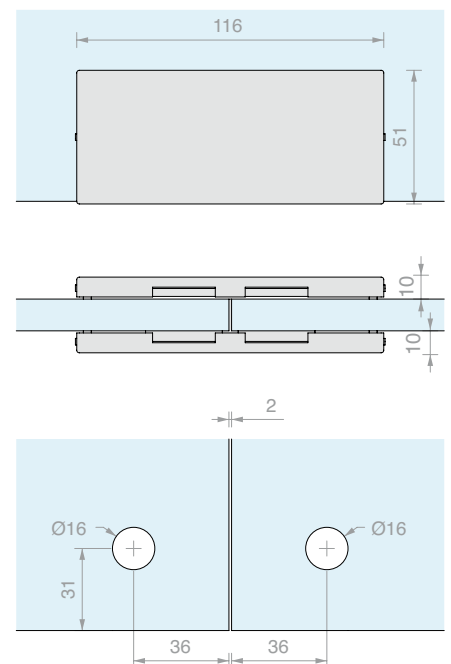


STRAIGHT CLAMP GF700

Material: Aluminium body, stainless steel AISI 316 cover

Optional door stop Art. GL7100

Finish: /8 /15

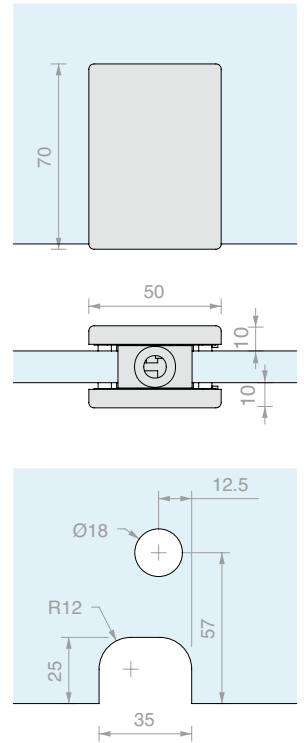


Art.	For glass	Qty
GF700	From 10 to 13.5 mm	1 Pc



CLAMP FOR FIXED GLASS GF150

Material: Aluminium body,
stainless steel AISI 316 cover
Finish: /8 /15

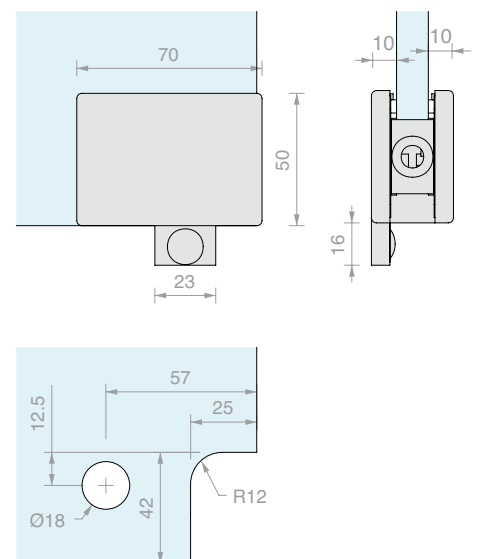


Art.	For glass	Qty
GF150	From 10 to 13.5 mm	1 Pc



CLAMP FOR FIXED GLASS WITH STOP GF150F

Material: Aluminium body,
stainless steel AISI 316 cover
Finish: /8 /15

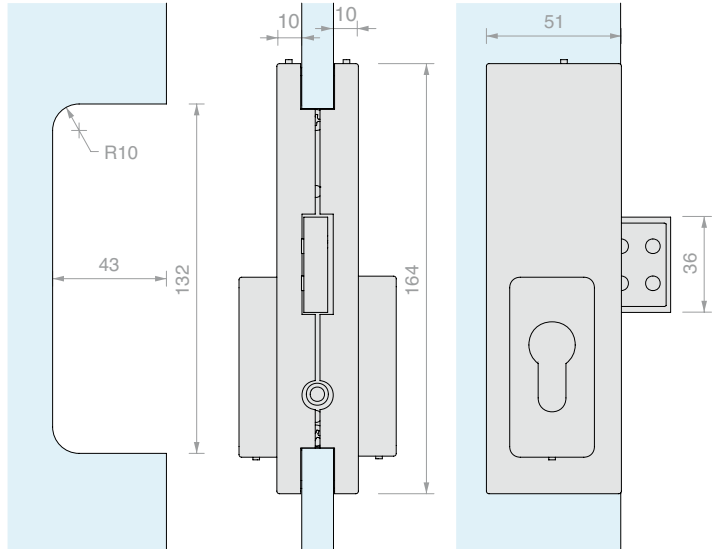
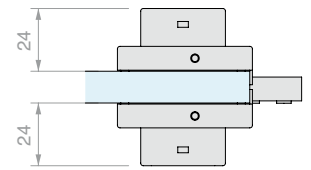


Art.	For glass	Qty
GF150F	From 10 to 13.5 mm	1 Pc



LOCK WITH RECTANGULAR PIN GL200

Material: Aluminium body,
stainless steel AISI 316 cover
With European cylinder, 3 keys
Finish: /8 /15

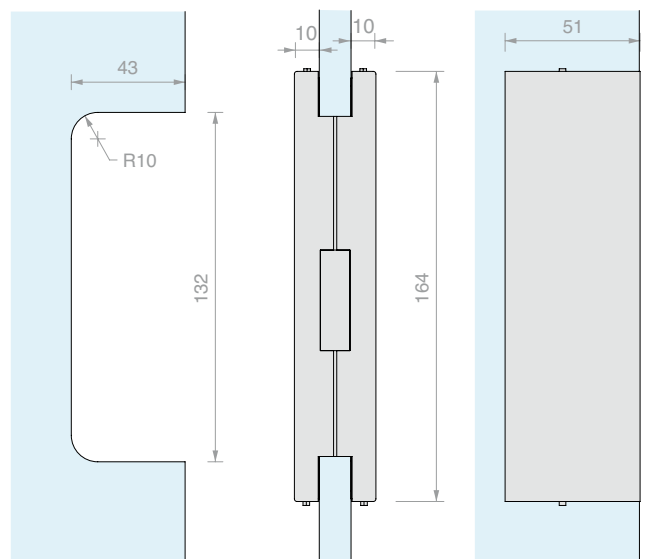
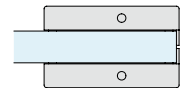


Art.	Lock	Key	For glass	Qty
GL200S	Lock + lock	Different	From 10 to 13.5 mm	1 Pc
GL200SU	Lock + lock	Single	From 10 to 13.5 mm	1 Pc
GL200P	Door knob + lock	Different	From 10 to 13.5 mm	1 Pc



LOCK CASE GK200

Material: Aluminium body,
stainless steel AISI 316 cover
Finish: /8 /15



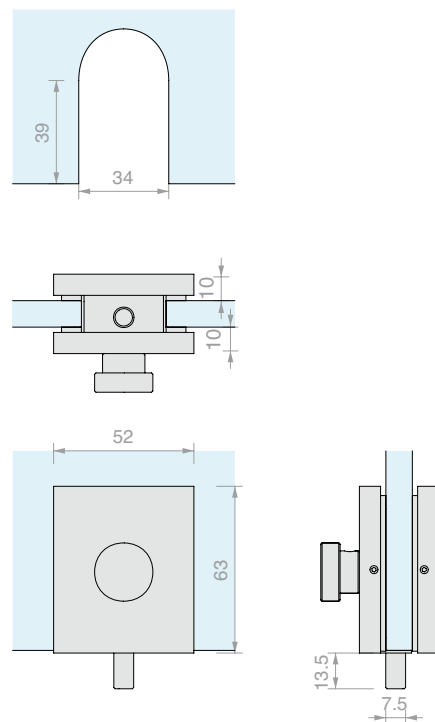
Art.	For glass	Qty
GK200	From 10 to 13.5 mm	1 Pc



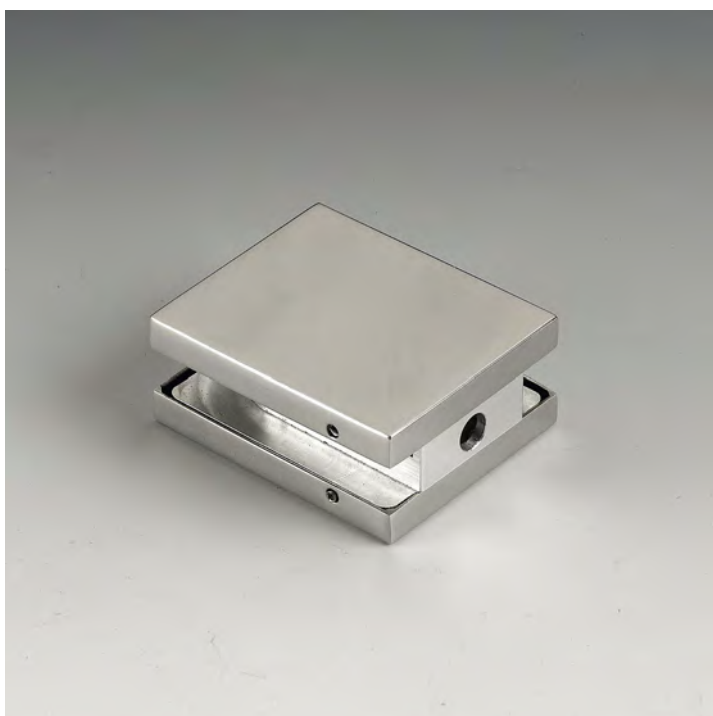
BOLT GL800

Material: Aluminium body,
stainless steel AISI 316 cover

Finish: /8 /15



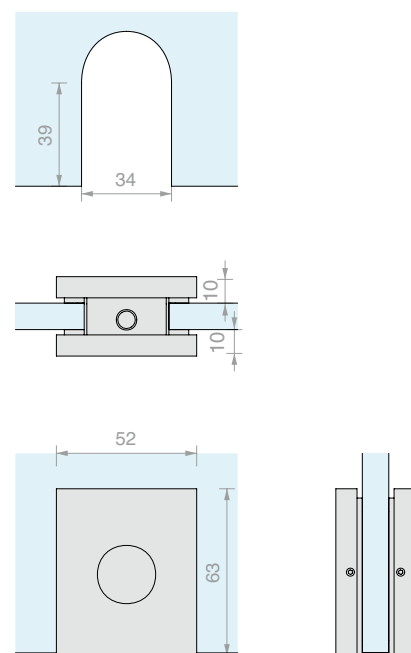
Art.	For glass	Qty
GL800	From 10 to 13.5 mm	1 Pc



STRIKING PLATE FOR BOLT GK800

Material: Aluminium body,
stainless steel AISI 316 cover

Finish: /8 /15

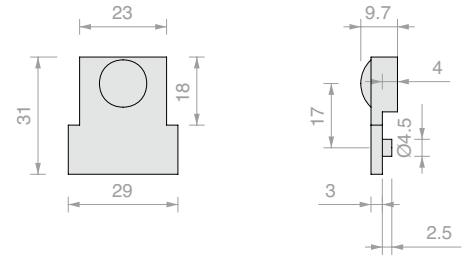


Art.	For glass	Qty
GK800	From 10 to 13.5 mm	1 Pc



DOOR STOP 100

Material: Die cast aluminium body, PVC
Compatible with Art. GF600 and GF700
Colour: black

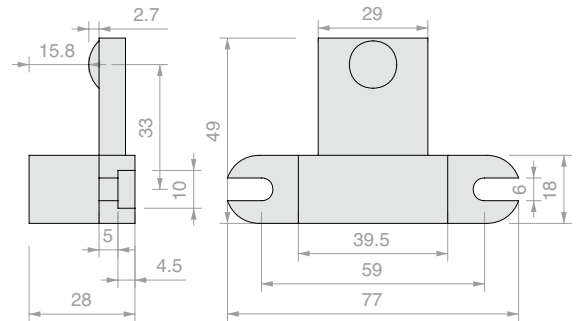


Art.	Qty
GL7100	1 Pc



DOOR STOP 200

Material: Die cast aluminium body, PVC
Compatible with Art. GF400
Colour: black

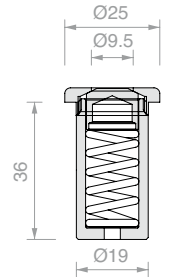


Art.	Qty
GL7200	1 Pc



ANTI-DUST SOCKET

Material: brass
Finish: /1 /3

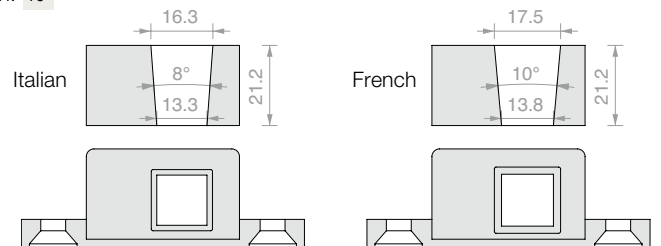


Art.	Qty
GL7300	1 Pc



INSERT FOR FRENCH AND ITALIAN PINS

Material: AISI 304 steel
Compatible with Art. GF100
Finish: /9



Art.	Fixing	Qty
GL7439	Italian	1 Pc
GL7433	French	1 Pc

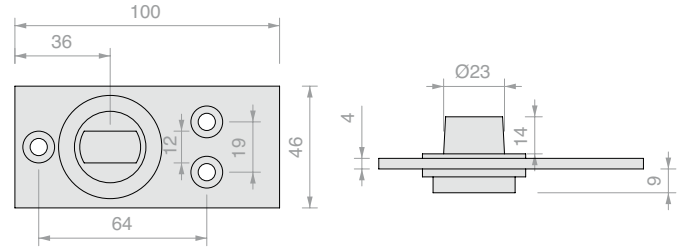


FREE FLOOR PIN WITH PLATE

Material: AISI 304 steel

Comes with 3 screws for anchoring to the floor and a trim plate for the black plastic ferrule.

Finish: /8



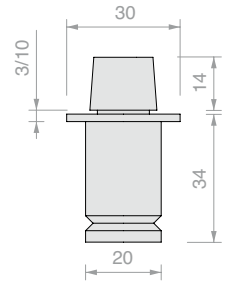
Art.	Fixing	Qty
PIVOTS014	German	1 Pc



FLOOR PIN ML

Material: Brass

Finish: /1 /3



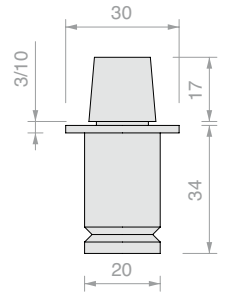
Art.	Fixing	Qty
GARDAML	Italian	1 Pc



FLOOR PIN TD

Material: Brass

Finish: /1 /3



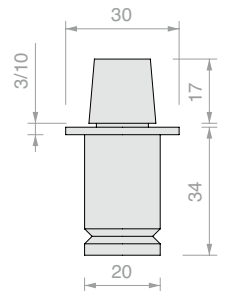
Art.	Fixing	Qty
GARDATD	German	1 Pc



FLOOR PIN HD3303

Material: Brass

Finish: /1 /3



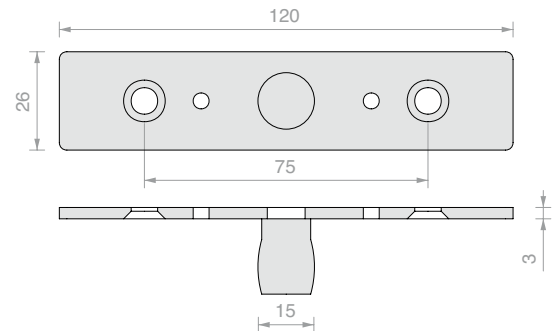
Art.	Fixing	Qty
HD3303	French	1 Pc



UPPER PLATE 8815

Material: AISI 304 steel

Finish: /9



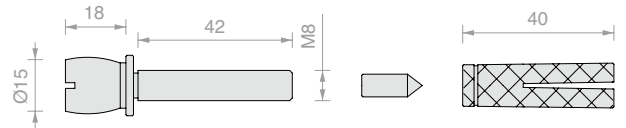
Art.	Qty
GL8815	1 Pc



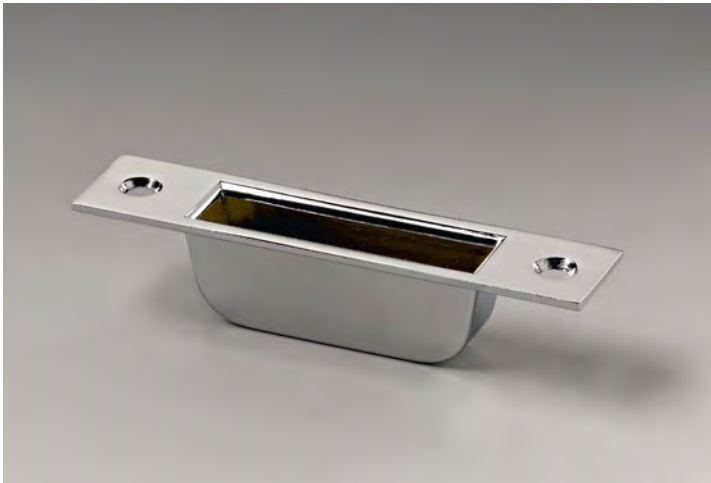
CEILING FLUSH FIT PIN 8819

Material: Galvanised steel

Compatible with Art. GF200



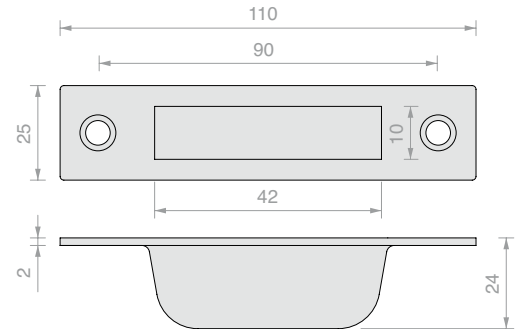
Art.	Qty
GL8819	1 Pc



FLOOR HOUSING GL8823

Material: AISI 304 stainless steel

Finish: /8 /15



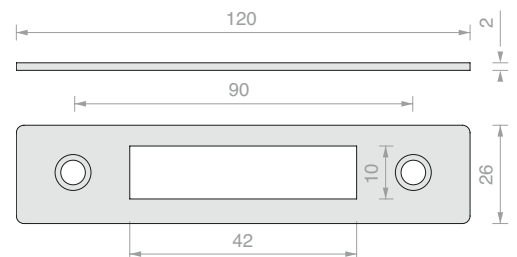
Art.	Qty
GL8823	1 Pc



WALL HOUSING GL8824

Material: AISI 304 steel

Finish: /9



Art.	Qty
GL8824	1 Pc



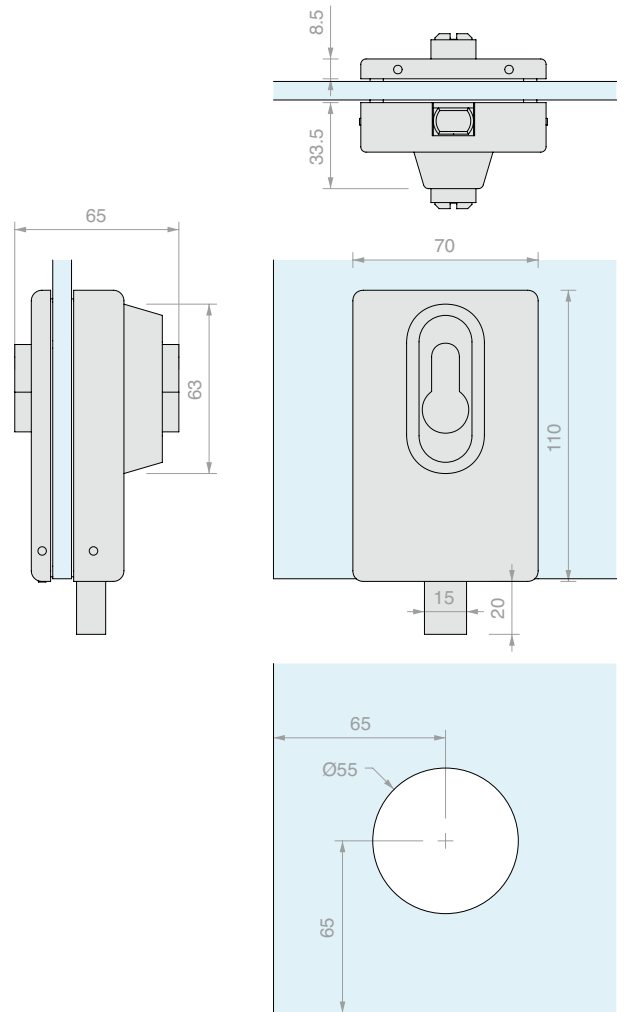
LOCK LT500

Material: Aluminium body, stainless steel AISI 316 cover

With European cylinder with 3 keys

Includes wall plate

Finish: /8 /15



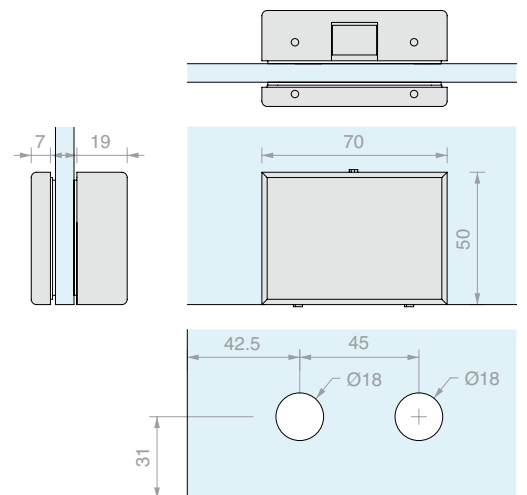
Art.	For glass	Key	Qty
GL10	From 8 to 12 mm	Different	1 Pc



LOCK CASE LT501

Material: Aluminium body, stainless steel AISI 316 cover

Finish: /8 /15



Art.	For glass	Qty
GL25	From 8 to 12 mm	1 Pc





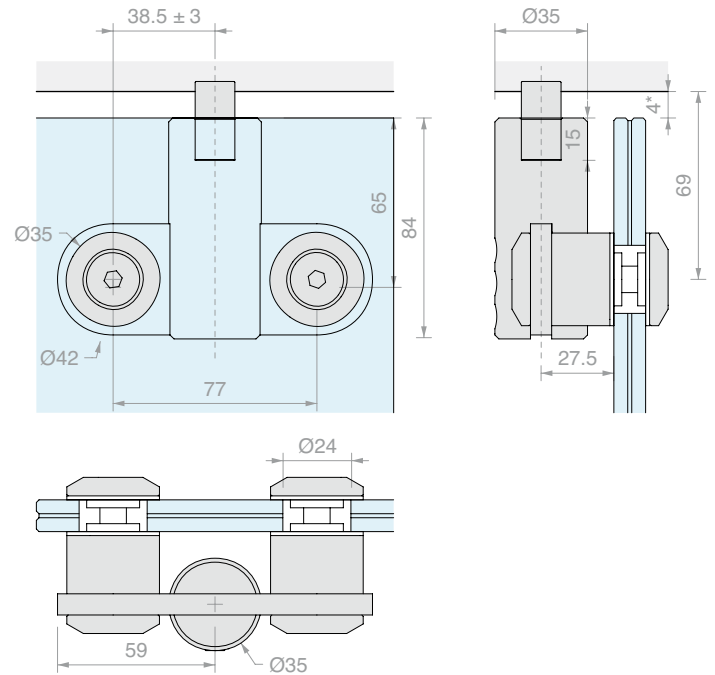
UPPER HINGE WITH STUDS HS1010

Material: AISI 316 steel

Recommended glass hole size Ø24 mm

For ceiling mounting, requires socket Art. HS1010SPL

Finish: /9



Art.	For glass	Qty
HS1010SB	From 8 to 21.5 mm	1 Pc



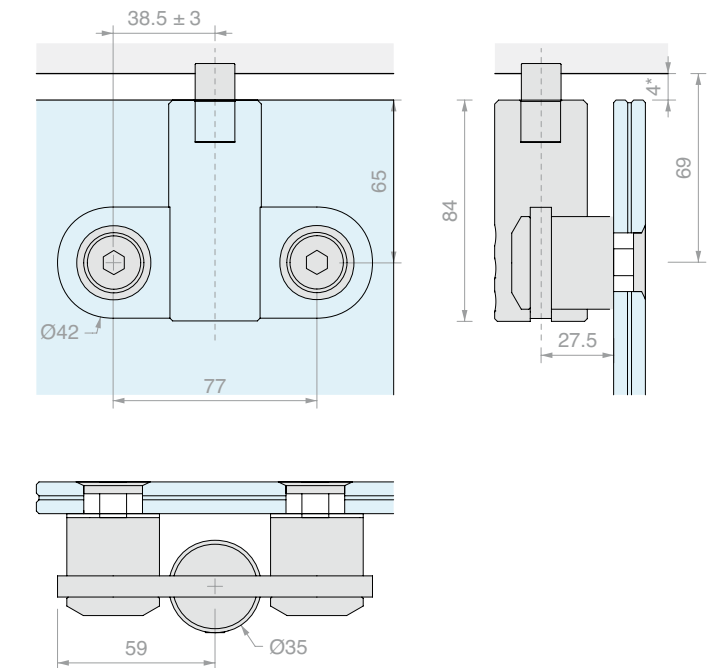
UPPER HINGE COUNTERSUNK HS1010

Material: AISI 316 steel

Recommended glass hole size Ø22 countersink 3 mm

For ceiling mounting, requires socket Art. HS1010SPL

Finish: /9

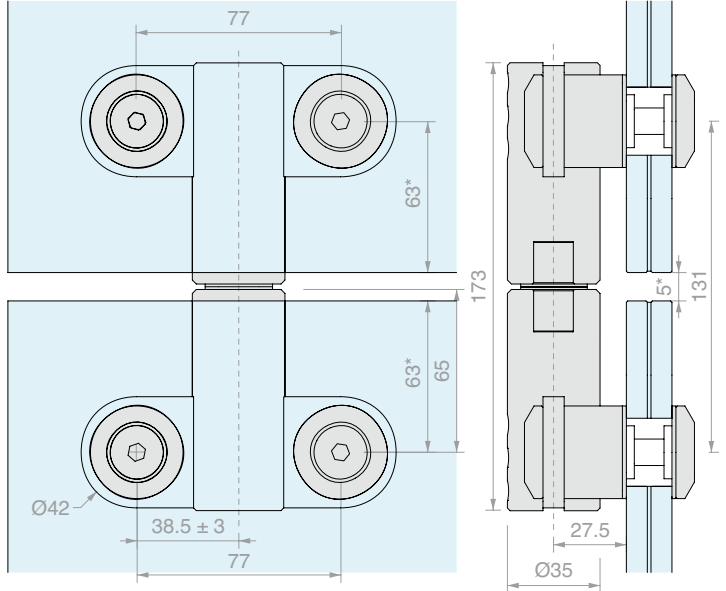


Art.	For glass	Qty
HS1010SS	From 8 to 21.5 mm	1 Pc



UPPER HINGE WITH STUDS HS1010 WITH ATTACHMENT FOR TRANSOM

Material: AISI 316 steel
Recommended glass hole size Ø24 mm
Finish: /9

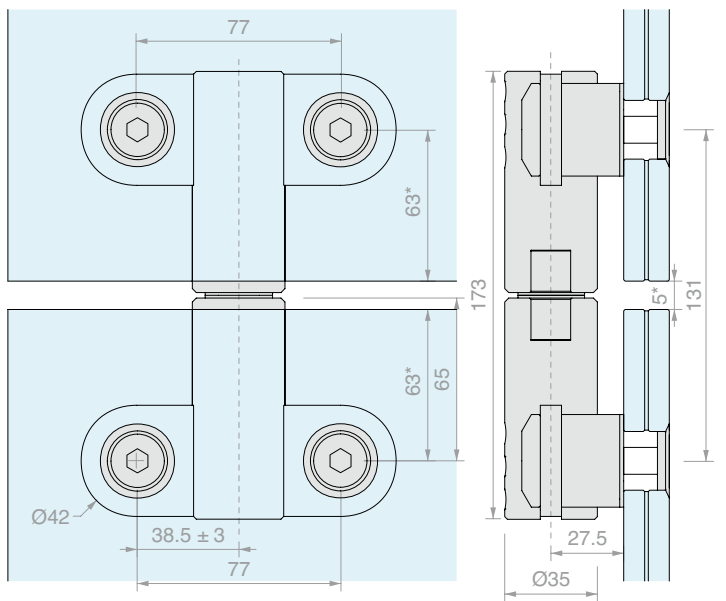


Art.	For glass	Qty
HS1010SSB	From 8 to 21.5 mm	1 Pc



UPPER HINGE COUNTERSUNK HS1010 WITH ATTACHMENT FOR TRANSOM

Material: AISI 316 steel
Recommended glass hole size Ø22 countersink 3 mm
Finish: /9



Art.	For glass	Qty
HS1010SSS	From 8 to 21.5 mm	1 Pc

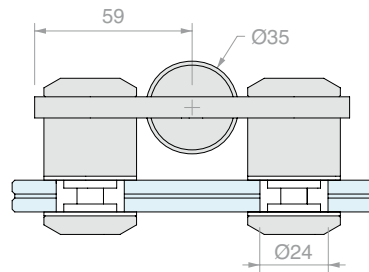
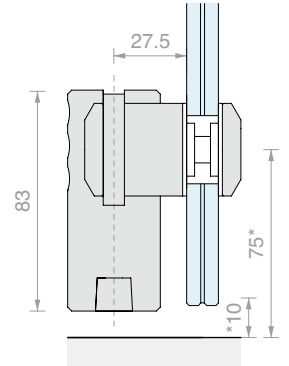
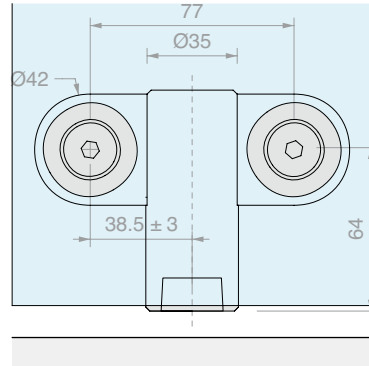


LOWER HINGE WITH STUDS HS1010

Material: AISI 316 steel

Recommended glass hole size Ø24 mm

Finish: /9



Art.	For glass	Fixing	Qty
HS1010PB	From 8 to 21.5 mm	German	1 Pc

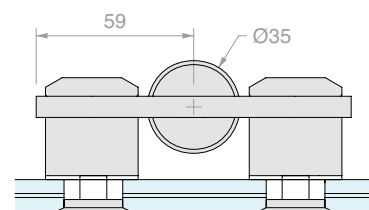
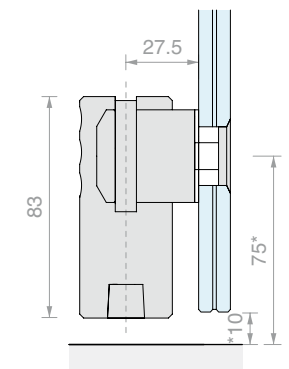
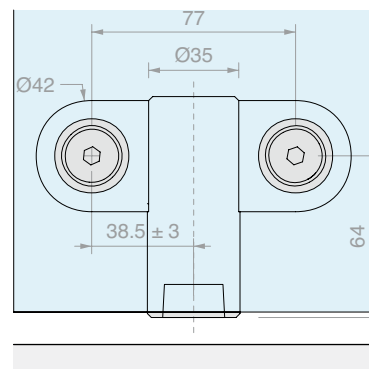


LOWER HINGE COUNTERSUNK HS1010

Material: AISI 316 steel

Recommended glass hole size Ø22 countersink 3 mm

Finish: /9



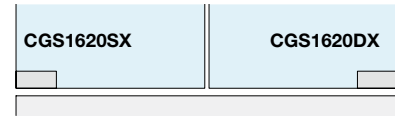
Art.	For glass	Fixing	Qty
HS1010PS	From 8 to 21.5 mm	German	1 Pc



LOWER HINGE CGS

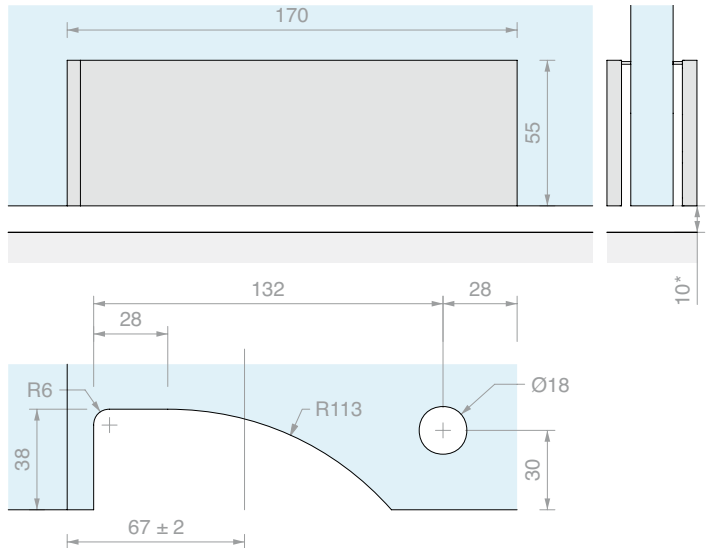
Material: AISI 316 steel

Finish: /8 /15



EXTERNAL VIEW

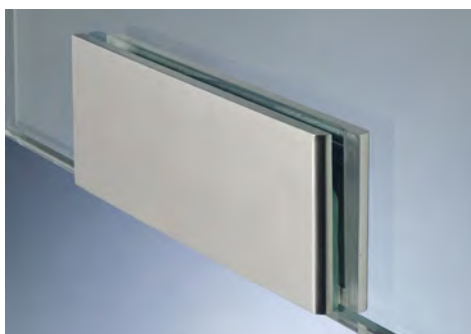
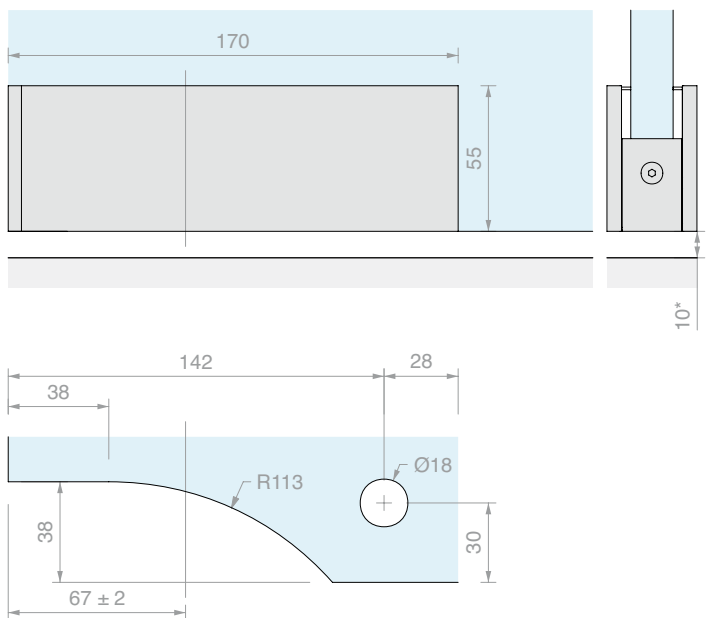
FIXING WITHIN THE GLASS



CGS1620SX



FIXING FLUSH WITH THE GLASS



Art.	For glass	Fixing	Qty
CGS1620SX	From 15 to 21.5 mm	German	1 Pc
CGS1620DX	From 15 to 21.5 mm	German	1 Pc



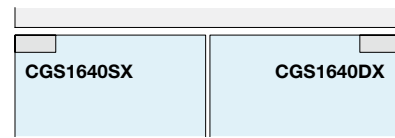
UPPER HINGE CGS

Material: AISI 316 steel

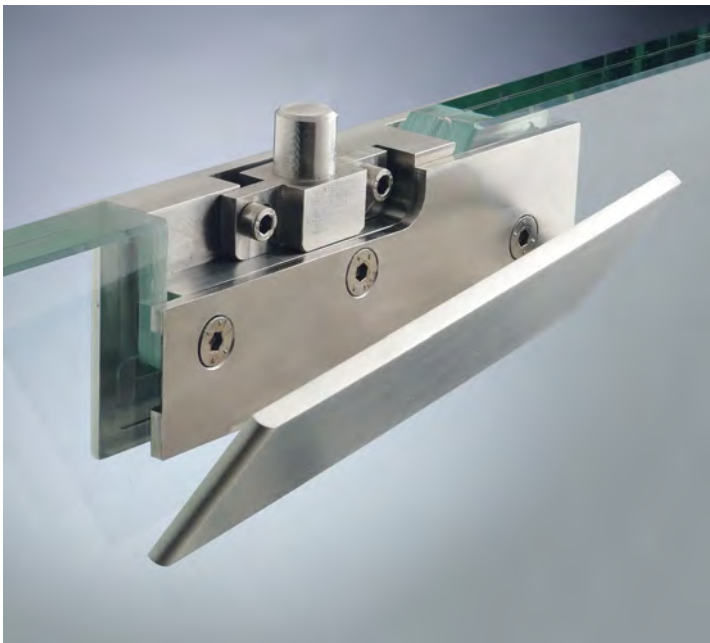
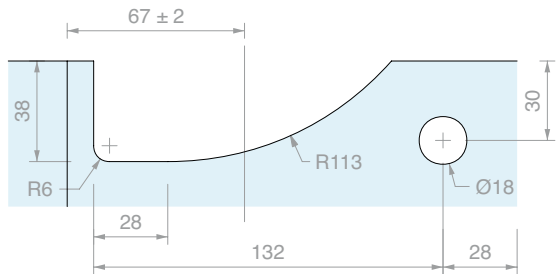
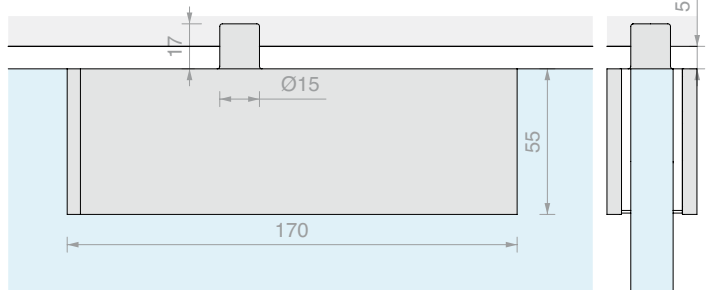
For ceiling mounting, requires socket Art. HS1010SPL

Finish: /8 /15

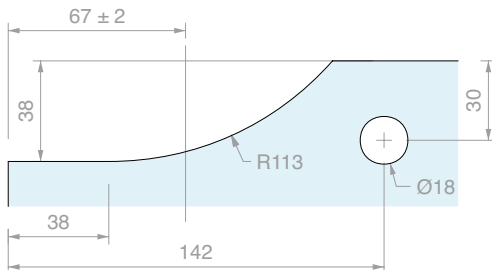
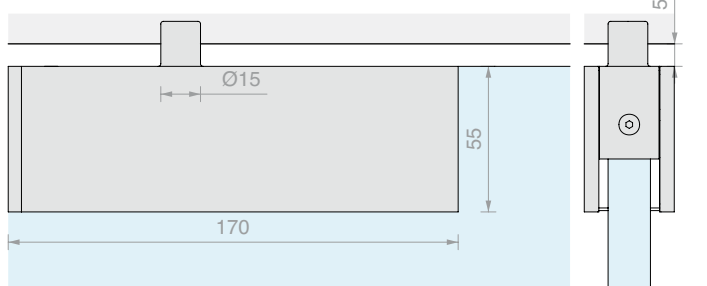
EXTERNAL VIEW



FIXING WITHIN THE GLASS



FIXING FLUSH WITH THE GLASS

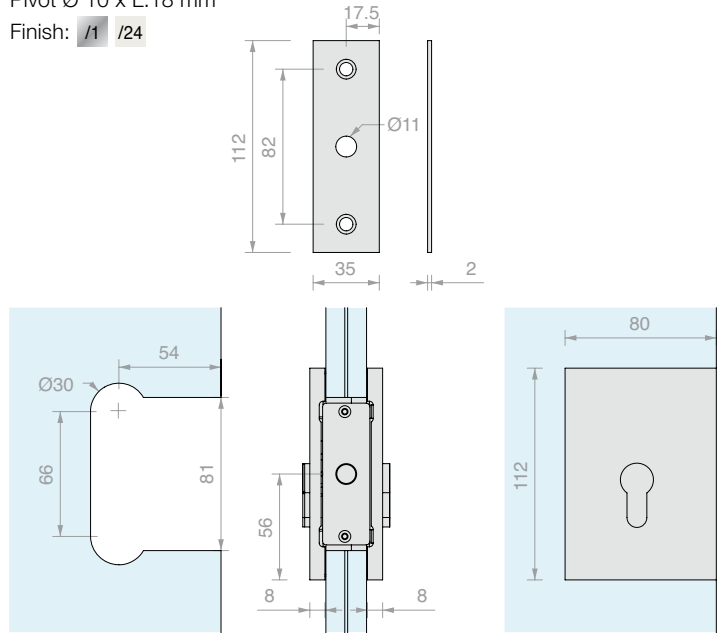


Art.	For glass	Qty
CGS1640SX	From 15 to 21.5 mm	1 Pc
CGS1640DX	From 15 to 21.5 mm	1 Pc



SGS LOCK

Material: Brass
 With European cylinder, 3 keys
 Pivot $\varnothing 10 \times L.18 \text{ mm}$
 Finish: /1 /24

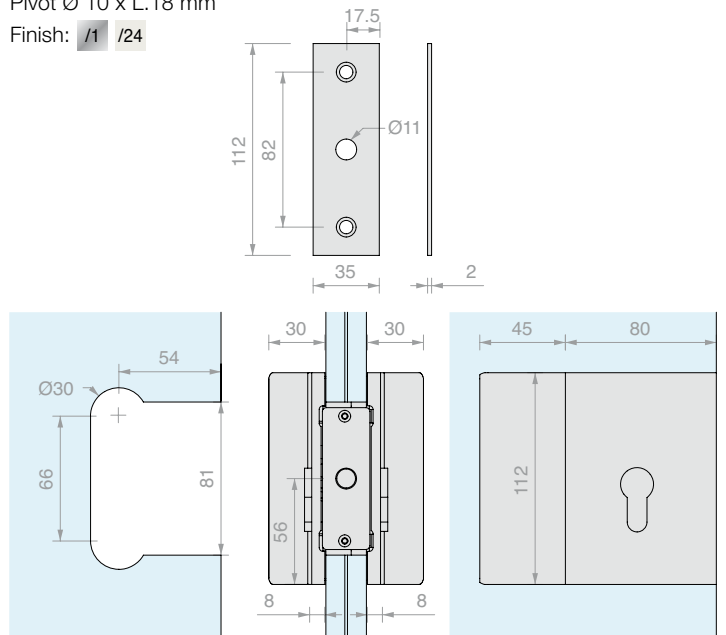


Art.	For glass	Key	Qty
SGS2115U	15 mm	Single	1 Pc
SGS2115D	15 mm	Different	1 Pc
SGS2117U	17 mm	Single	1 Pc
SGS2117D	17 mm	Different	1 Pc
SGS2121U	21 mm	Single	1 Pc
SGS2121D	21 mm	Different	1 Pc



LOCK WITH SGS HANDLE

Material: Brass
 With European cylinder, 3 keys
 Pivot $\varnothing 10 \times L.18 \text{ mm}$
 Finish: /1 /24



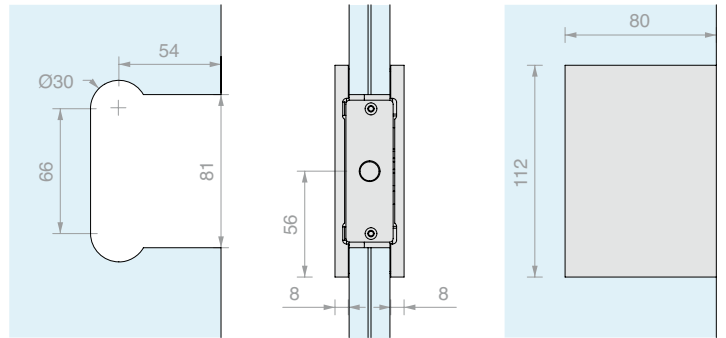
Art.	For glass	Key	Qty
SGS2315MU	15 mm	Single	1 Pc
SGS2315MD	15 mm	Different	1 Pc
SGS2317MU	17 mm	Single	1 Pc
SGS2317MD	17 mm	Different	1 Pc
SGS2321MU	21 mm	Single	1 Pc
SGS2321MD	21 mm	Different	1 Pc



SGS GLASS STRIKE PLATE

Material: Brass

Finish: /1 /24



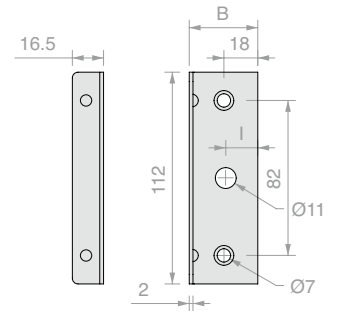
Art.	For glass	Qty
SGS2715M	15 mm	1 Pc
SGS2717M	17 mm	1 Pc
SGS2721M	21 mm	1 Pc



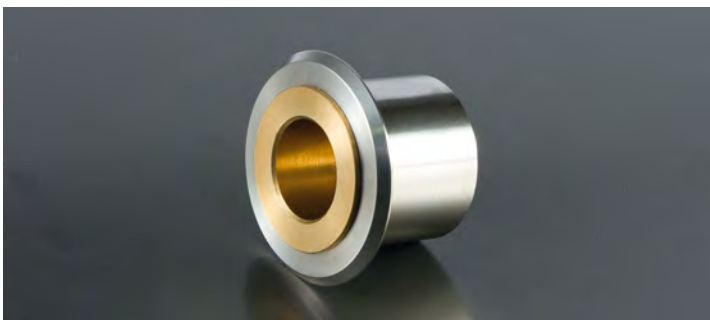
WALL PLATE WITH STOP

Material: Brass

Finish: /1 /24



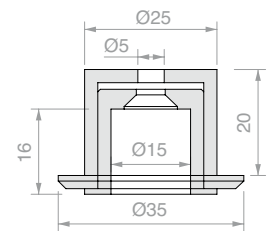
Art.	For glass	I	B	Qty
SGS15L	15 mm	16 mm	36.5 mm	1 Pc
SGS17L	17 mm	17 mm	39 mm	1 Pc
SGS21L	21 mm	19 mm	43 mm	1 Pc



UPPER SOCKET

Material: AISI 316 steel

Finish: /9



Art.	Qty
HS1010SPL	1 Pc

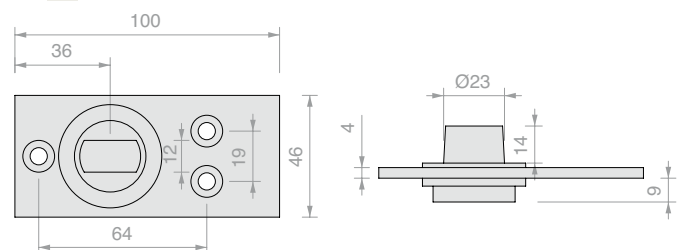


FREE FLOOR PIN WITH PLATE

Material: AISI 304 steel

Comes with 3 screws for anchoring to the floor and a trim plate for the black plastic ferrule.

Finish: /8



Art.	Fixing	Qty
PIVOTS014	German	1 Pc

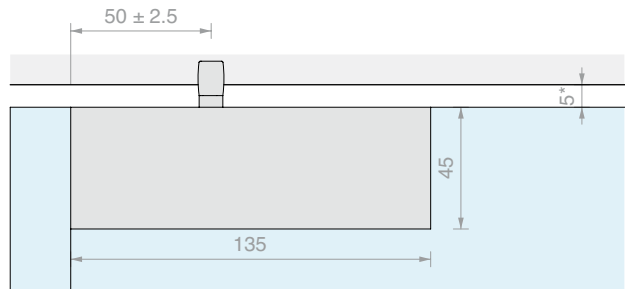
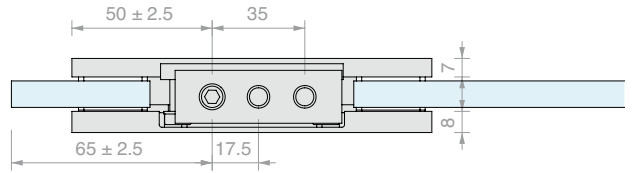
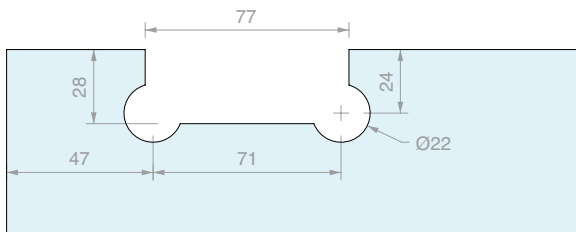


**UPPER HINGE
WITH ADJUSTABLE SLIDER 3301**

Material: Brass

For ceiling mounting, requires socket Art. HD3304

Finish: /1 /24



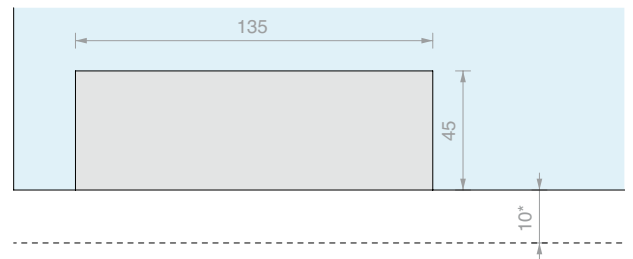
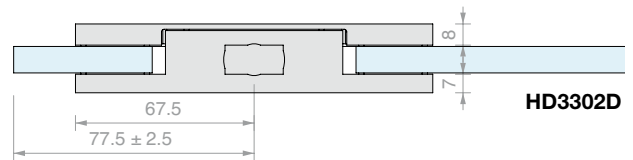
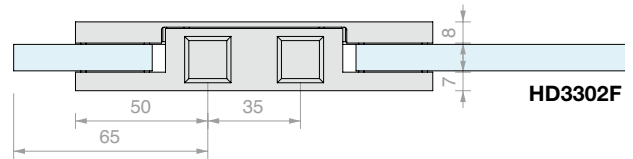
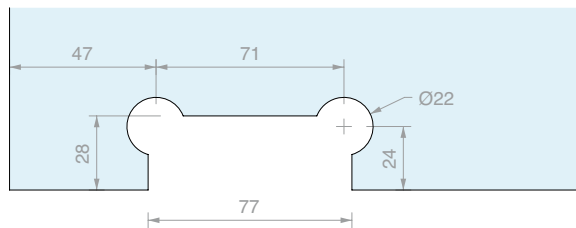
Art.	For glass	Qty
HD3301	From 8 to 10 mm	1 Pc



LOWER HINGE HD3301

Material: Brass

Finish: /1 /24



Art.	For glass	Fixing	Qty
HD3302F	From 8 to 10 mm	French	1 Pc
HD3302D	From 8 to 10 mm	German	1 Pc

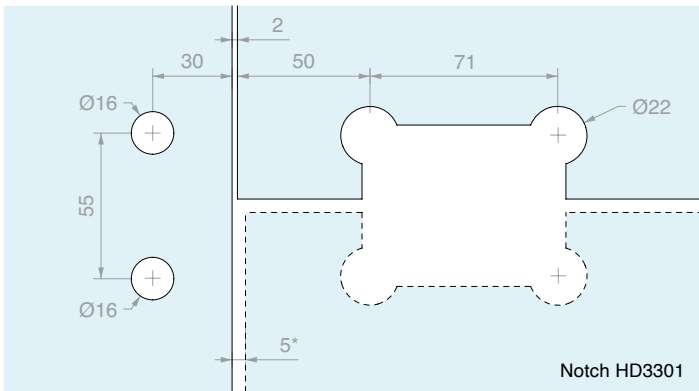
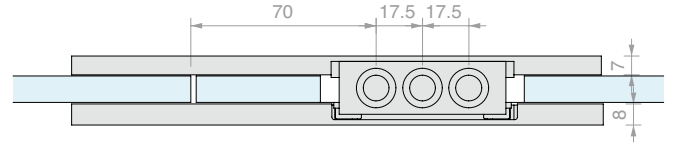


**FIXING FOR TRANSOM
WITH SIDE GLASS FIXING 3307**

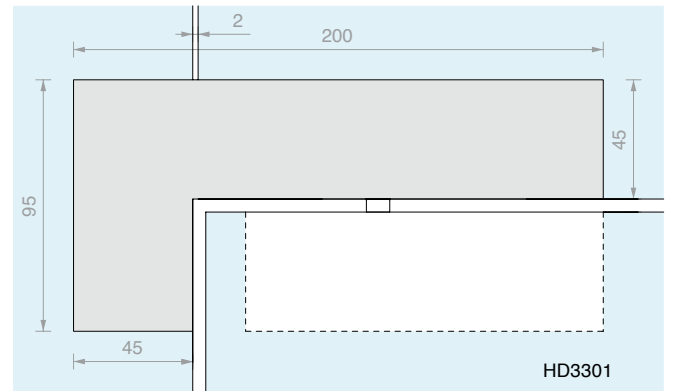
Material: Brass
Finish: /1 /24



Left fitting



Notch HD3301



HD3301

Art.	For glass	Fitting	Qty
HD3307SX	From 8 to 10 mm	Left	1 Pc
HD3307DX	From 8 to 10 mm	Right	1 Pc

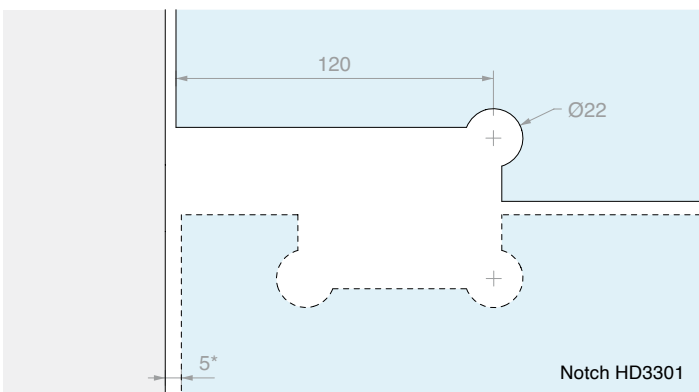
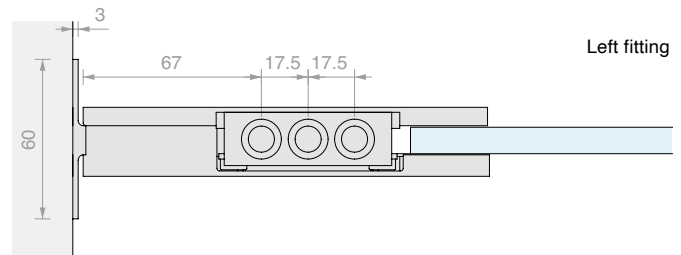


**FIXING FOR TRANSOM
WITH SIDE WALL FIXING 3308**

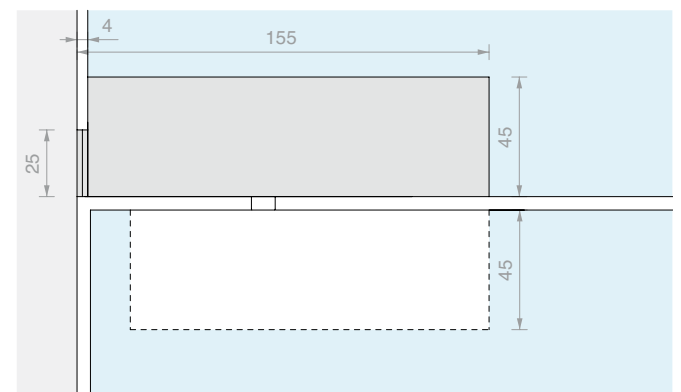
Material: Brass
Finish: /1 /24



Left fitting



Notch HD3301

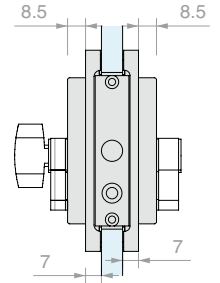
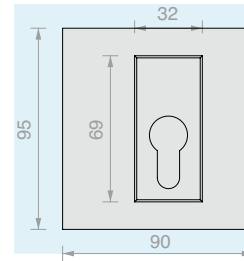
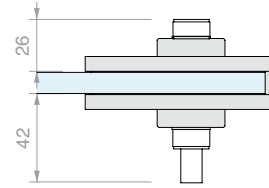
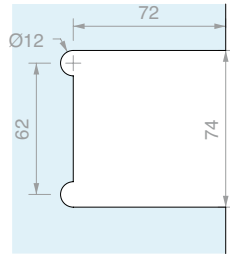


Art.	For glass	Fitting	Qty
HD3308SX	From 8 to 10 mm	Left	1 Pc
HD3308DX	From 8 to 10 mm	Right	1 Pc



LOCK 3305

Material: Brass
Pivot Ø10 x L 17 mm.
With European cylinder, 3 keys
Finish: /1 /24

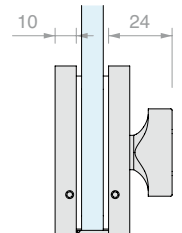
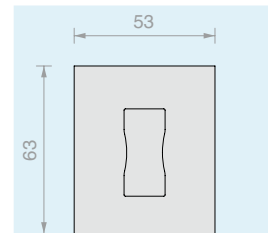
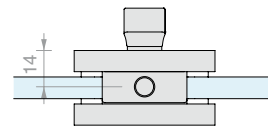
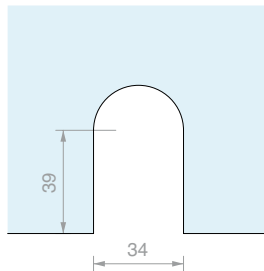


Art.	For glass	Lock	Key	Qty
HD3305U	From 8 to 10 mm	Lock + lock	Single	1 Pc
HD3305D	From 8 to 10 mm	Lock + lock	Different	1 Pc
HD3305P	From 8 to 10 mm	Door knob + lock	Single	1 Pc



HD SQUARE BOLT

Material: Aluminium body, brass cover
Pivot Ø7.5 x L 13 mm.
Finish: /1 /24

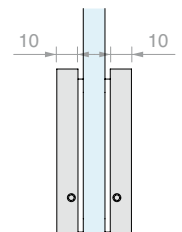
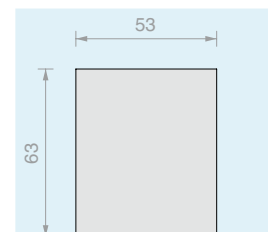
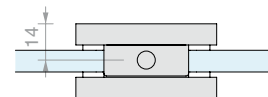
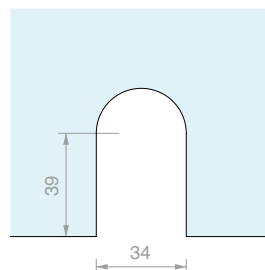


Art.	For glass	Qty
DQC63	From 10 to 12 mm	1 Pc



GLASS STRIKE PLATE FOR HD SQUARE BOLT

Material: Brass
Finish: /1 /24

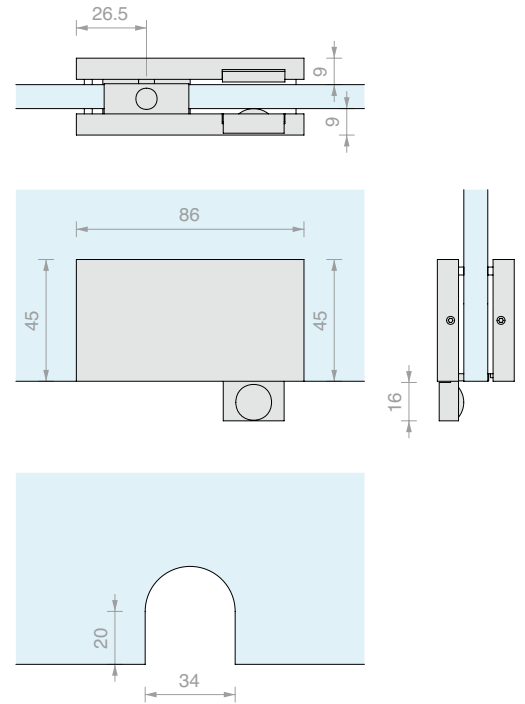


Art.	For glass	Qty
DQC65	From 10 to 12 mm	1 Pc



SINGLE STRIKE PLATE FOR TRANSOM FIXING FOR BOLT

Material: Brass
 Compatible with Art. DQC63
 Finish: /1 /24

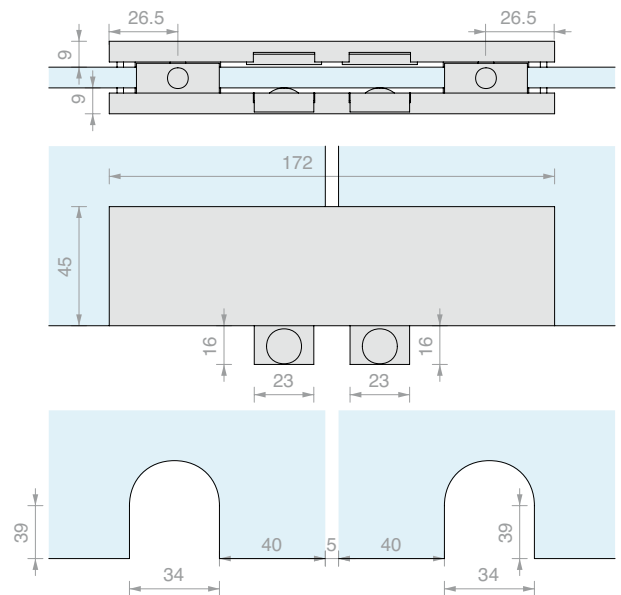


Art.	For glass	Qty
HD3309	From 8 to 12 mm	1 Pc



DOUBLE STRIKE PLATE FOR TRANSOM FITTING FOR BOLT

Material: Brass
 Compatible with Art. DQC63
 Finish: /1 /24



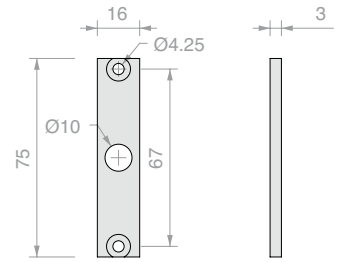
Art.	For glass	Qty
HD3310	From 8 to 12 mm	1 Pc



WALL STRIKE PLATE FOR LOCK HD3305

Material: Stainless steel

Finish: /9



Art.
HD3306

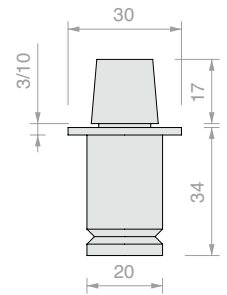
Q.ty
1 Pc



FLOOR PIN HD3303

Material: Brass

Finish: /1 /3



Art. Fixing
HD3303 French

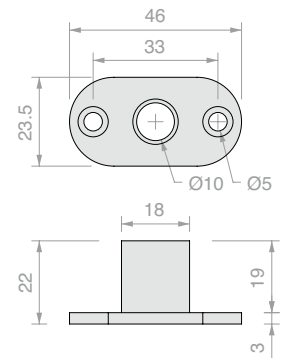
Qty
1 Pc



SEAT FOR CEILING PIVOT 3304

Material: Brass

Finish: /1 /3



Art.
HD3304

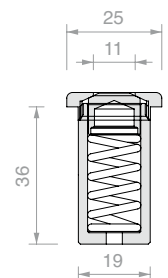
Q.ty
1 Pc



ANTI-DUST SOCKET FOR LOCK HD3305

Material: Brass

Finish: /1 /3



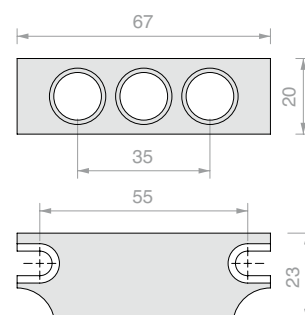
Art.
G7311

Q.ty
1 Pc



SLIDER FOR HD3308

Material: Brass
 Slider for moving the fixing of Art. HD3308
 from flush to inside the glass

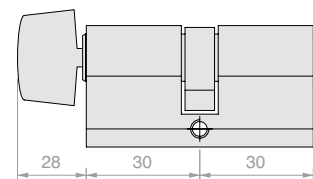


Art.	Qty
HD3308-SLIDER	1 Pc



CYLINDER WITH ROTATING DOOR KNOB

Material: Brass
 European cylinder with 3 keys
 Finish: /1 /3 /45

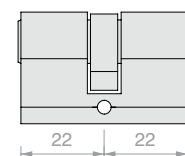


Art.	Key	Qty
S1217U	Single	1 Pc



CYLINDER WITH EUROPEAN PROFILE KEY

Material: Brass
 European cylinder with 3 keys
 Finish: /1 /3



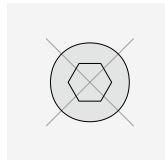
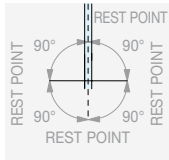
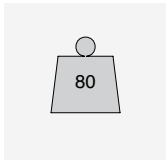
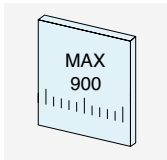
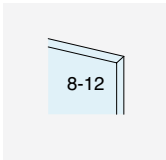
Art.	Key	Qty
LOGS10U	Single	1 Pc
LOGS10D	Different	1 Pc



**SNAP-ON PIVOT HINGE 80SQ
WITH HIDDEN SCREWS**

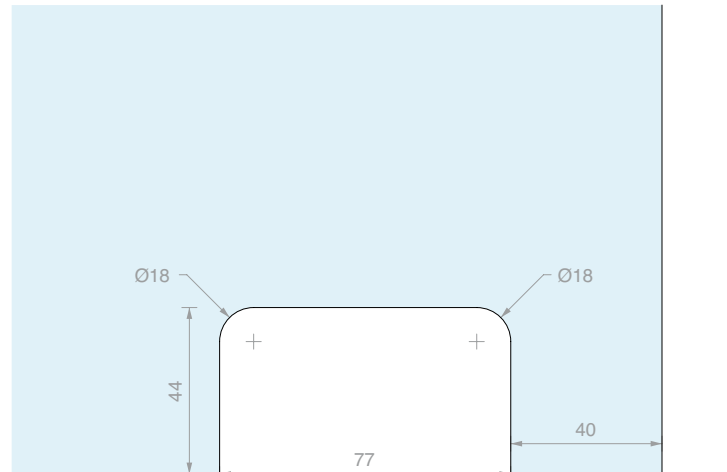
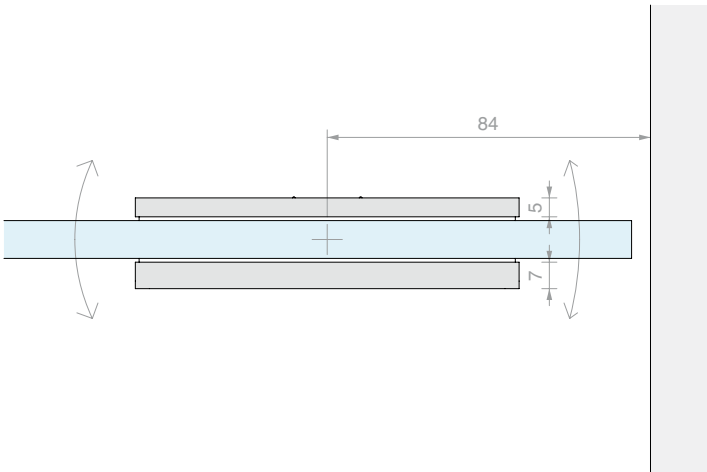
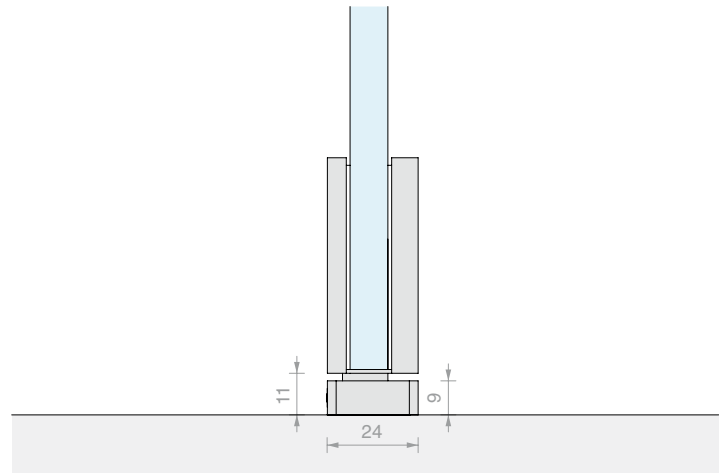
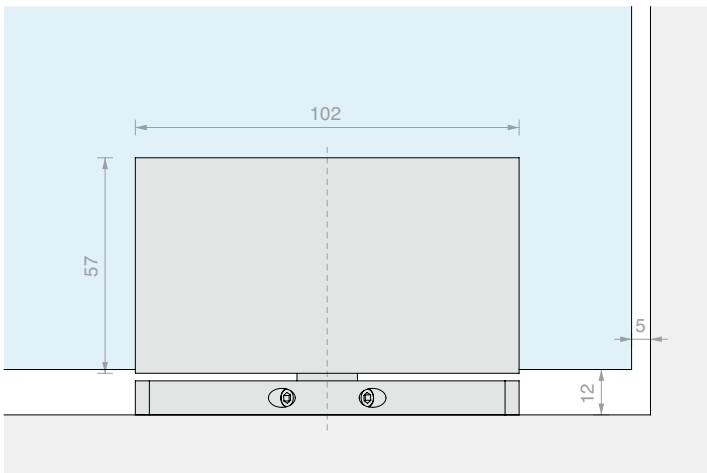
Material: Brass

Finish: /1 /2 /3



360° ROTATION

NO VISIBLE SCREWS



Art. **CERPT80SQ**

For glass
From 8 to 12 mm

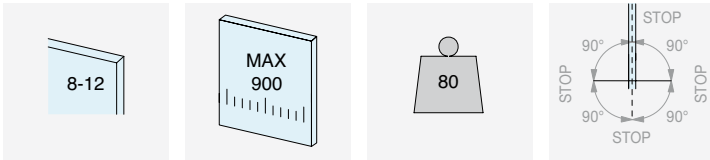
Qty
1 Pc



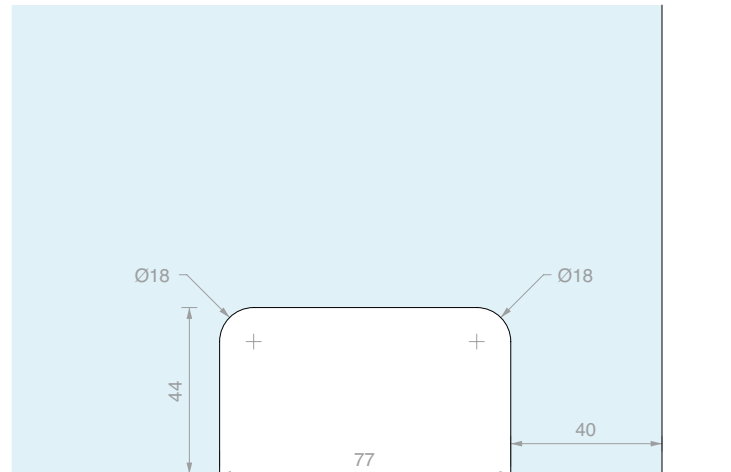
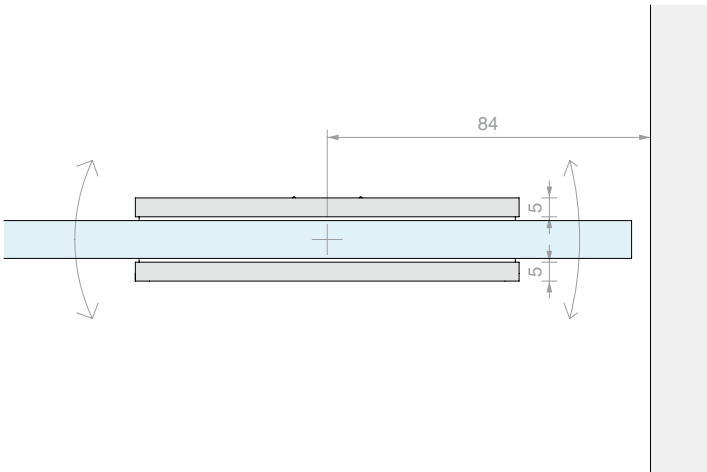
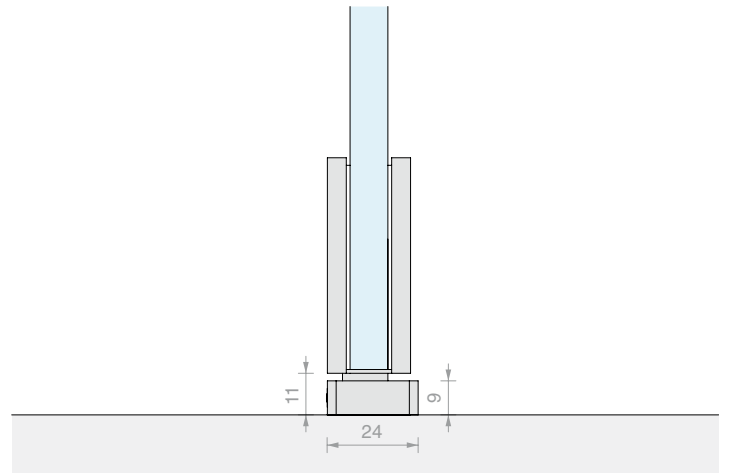
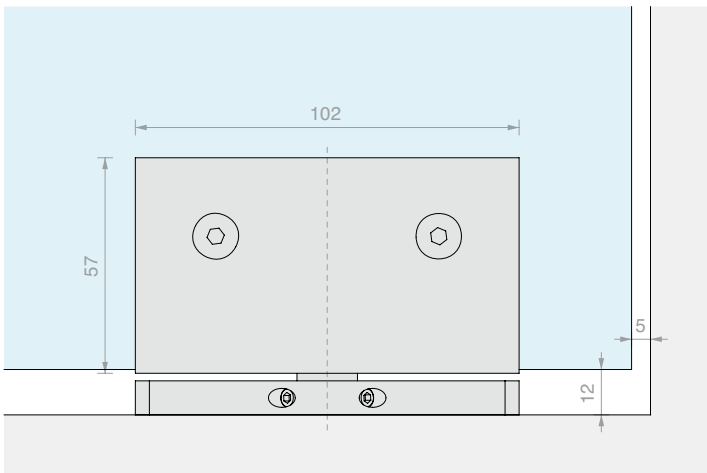
SNAP PIVOT HINGE 80

Material: Brass

Finish: /1 /2 /3



360° ROTATION



Art.
CERPT80

For glass
From 8 to 12 mm

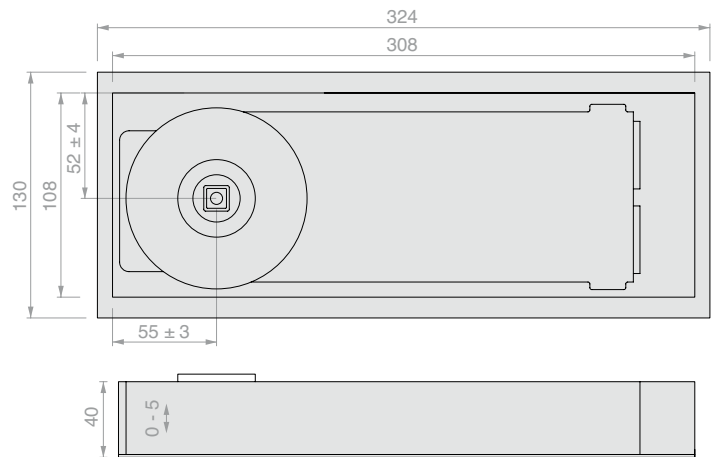
Qty
1 Pc

**DOOR CLOSER LM60**

Plate material: AISI 316 stainless steel

The hydraulic floor-mounted door closers in the LM60 series have undergone laboratory tests in accordance with EN1154. The tests include checks on closing force and capacity, durability over 500,000 opening and closing cycles, corrosion resistance and operating temperature.

NOTE: it is recommended not to fully unscrew or tighten the speed regulation valves

**Properties:**

- Rotation $\pm 130^\circ$
- Dual regulation of closing speed $130^\circ - 15^\circ$ and $15^\circ - 0^\circ$.
- Three-dimensional adjustment within the case
- 3 closing forces: EN2, EN3 and EN4
- 3 types of use according to the hold open position: $\pm 90^\circ$, $\pm 105^\circ$ or no hold open.
- Available with 3 types of standard pivot: German, Italian or French.

Finish: /8

Art.	Force	Capacity L	Capacity P	Hold open	Pivot	Qty
LM609020DE	EN2	850 mm	60 kg	$\pm 90^\circ$	German	1 Pc
LM609020IT	EN2	850 mm	60 kg	$\pm 90^\circ$	Italian	1 Pc
LM609020FR	EN2	850 mm	60 kg	$\pm 90^\circ$	French	1 Pc
LM609025DE	EN3	950 mm	80 kg	$\pm 90^\circ$	German	1 Pc
LM609025IT	EN3	950 mm	80 kg	$\pm 90^\circ$	Italian	1 Pc
LM609025FR	EN3	950 mm	80 kg	$\pm 90^\circ$	French	1 Pc
LM6010525DE	EN3	950 mm	80 kg	$\pm 105^\circ$	German	1 Pc
LM6010525IT	EN3	950 mm	80 kg	$\pm 105^\circ$	Italian	1 Pc
LM6010525FR	EN3	950 mm	80 kg	$\pm 105^\circ$	French	1 Pc
LM600025DE	EN3	950 mm	80 kg	Hold open	German	1 Pc
LM600025IT	EN3	950 mm	80 kg	Hold open	Italian	1 Pc
LM600025FR	EN3	950 mm	80 kg	Hold open	French	1 Pc
LM609033DE	EN4	1100 mm	100 kg	$\pm 90^\circ$	German	1 Pc
LM609033IT	EN4	1100 mm	100 kg	$\pm 90^\circ$	Italian	1 Pc
LM609033FR	EN4	1100 mm	100 kg	$\pm 90^\circ$	French	1 Pc
LM6010533DE	EN4	1100 mm	100 kg	$\pm 105^\circ$	German	1 Pc
LM6010533IT	EN4	1100 mm	100 kg	$\pm 105^\circ$	Italian	1 Pc
LM6010533FR	EN4	1100 mm	100 kg	$\pm 105^\circ$	French	1 Pc

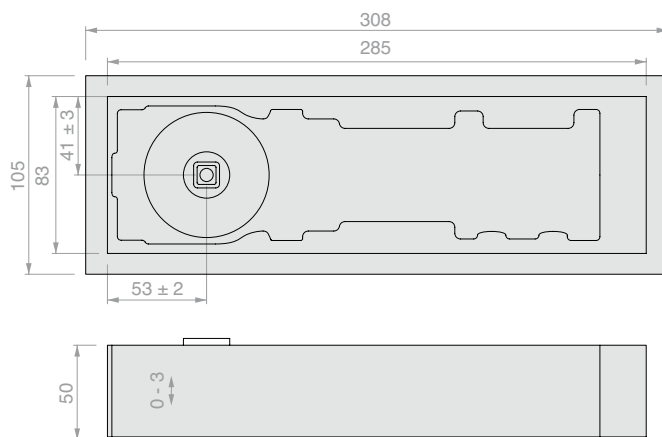


DOOR CLOSER LM66

Plate material: AISI 316 stainless steel

The hydraulic floor-mounted door closers in the LM60 series have undergone laboratory tests in accordance with EN1154. The tests include checks on closing force and capacity, durability over 500,000 opening and closing cycles, corrosion resistance and operating temperature.

NOTE: it is recommended not to fully unscrew or tighten the speed regulation valves



Properties:

- Rotation ±180°
- Dual regulation of closing speed 180° - 15° and 15° - 0°.
- Three-dimensional adjustment within the case
- 3 closing forces: EN2, EN3 and EN4
- 2 types of use according to the hold open position: ± 90° or no hold open.
- Available with 3 types of standard pivot: German, Italian or French.

Finish: /8

Art.	Force	Capacity L	Capacity P	Hold open	Pivot	Qty
LM669020DE	EN2	850 mm	100 kg	± 90°	German	1 Pc
LM669020IT	EN2	850 mm	100 kg	± 90°	Italian	1 Pc
LM669020FR	EN2	850 mm	100 kg	± 90°	French	1 Pc
LM669030DE	EN3	950 mm	150 kg	± 90°	German	1 Pc
LM669030IT	EN3	950 mm	150 kg	± 90°	Italian	1 Pc
LM669030FR	EN3	950 mm	150 kg	± 90°	French	1 Pc
LM669040DE	EN4	1100 mm	200 kg	± 90°	German	1 Pc
LM669040IT	EN4	1100 mm	200 kg	± 90°	Italian	1 Pc
LM669040FR	EN4	1100 mm	200 kg	± 90°	French	1 Pc
LM660040DE	EN4	1100 mm	200 kg	Hold open	German	1 Pc
LM660040IT	EN4	1100 mm	200 kg	Hold open	Italian	1 Pc
LM660040FR	EN4	1100 mm	200 kg	Hold open	French	1 Pc



INTERCHANGEABLE PINS FOR DOOR CLOSER LM

Pivot with screw

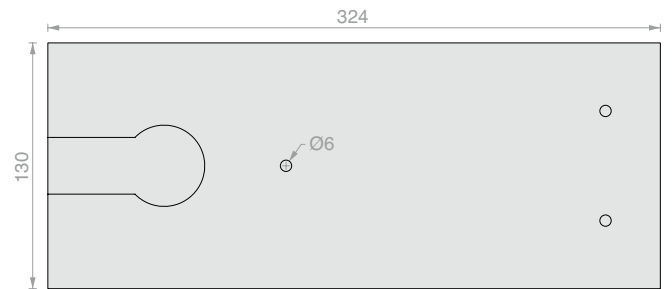
Art.	Fixing	Qty
LMPERNOD	German	1 Pc
LMPERNOI	Italian	1 Pc
LMPERNOF	French	1 Pc



PLATE FOR DOOR CLOSER LM60

Material: AISI 316 stainless steel

Finish: /8



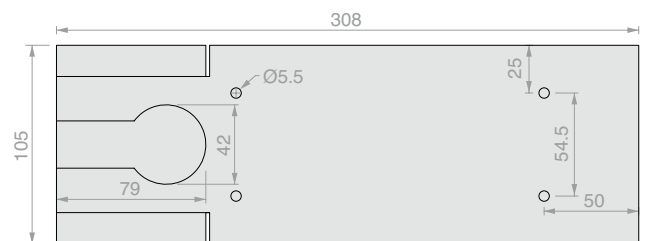
Art.	Dimensions	Qty
LMPIA01	324 mm x 130 mm	1 Pc



PLATE FOR DOOR CLOSER LM66

Material: AISI 316 stainless steel

Finish: /8



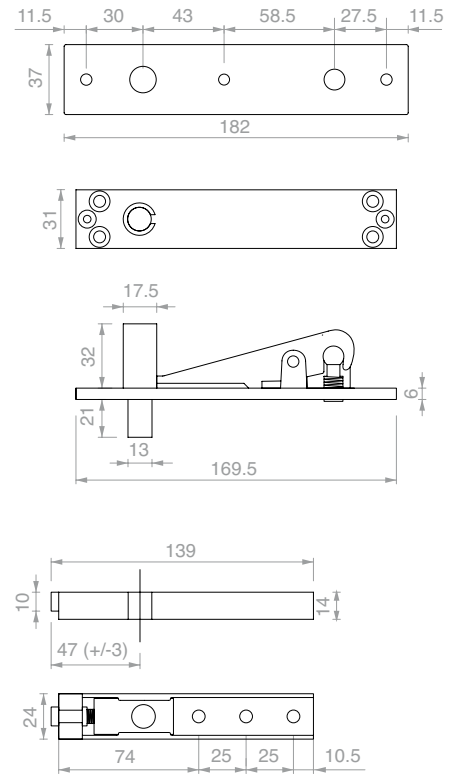
Art.	Dimensions	Qty
LMPIA02	308 mm x 105 mm	1 Pc



**UPPER ADJUSTABLE POCKET HINGE
FOR WOOD/METAL DOOR PANELS**

Material: AISI 304 stainless steel, galvanised steel

Finish: /8



Art.

Qty

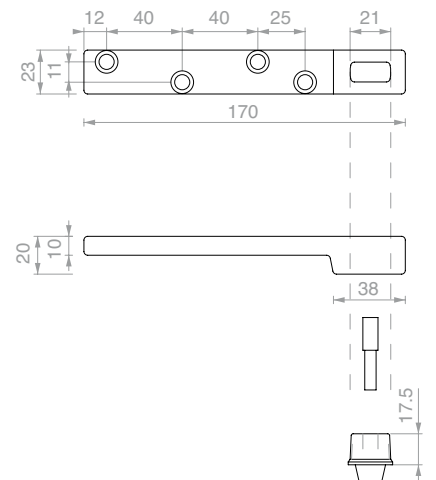
PS03

1 Pc



**LOWER HINGE WITH GERMAN PIN
FOR WOOD/METAL DOORS**

Material: Galvanised steel



Art.

Qty

PI07

1 Pc



TS 500 NV

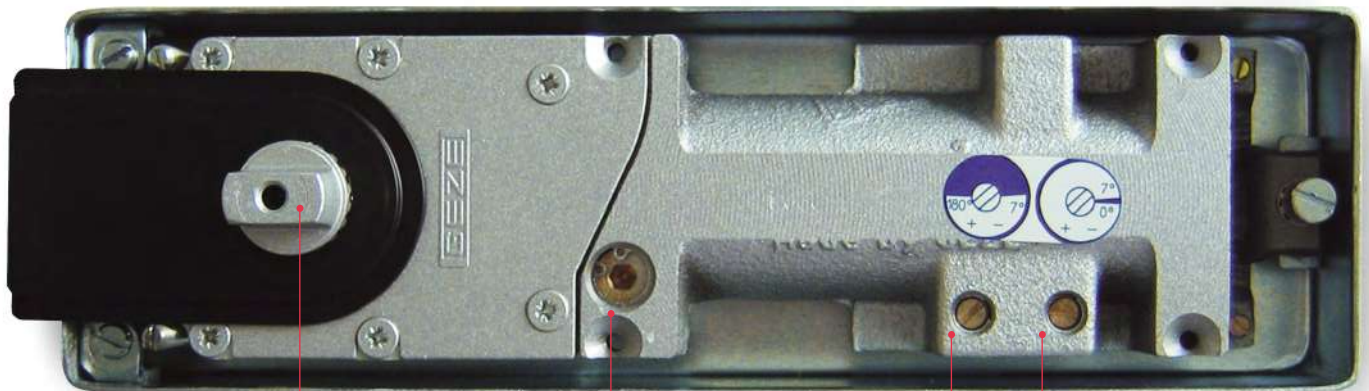
Floor-mounted door closer for hinged and swing doors

The exceptionally low height of just 42 mm is one of the benefits that the TS 500 NV door closer offers to users and designers for operating single and double door panels. These properties make it an ideal choice for both new buildings and for renovations. By virtue of being invisible, it is perfect for glass doors, including small and medium-sized ones. The maximum weight is 150 kg; includes a brushed stainless steel plate.

The TS500 NV model has been tested for 500,000 opening and closing cycles.

Properties:

- Height 42 mm
- Adjustable force between EN1 and EN4 according to EN1154
- Adjustable closing speed and final stroke
- Safety valve to prevent overloads
- Closing action from around 170°
- Adjustment tolerance: height 6 mm, width 10 mm, length 10 mm
- Galvanised cement case
- Thermostabilised valves avoid switching between summer and winter
- Suitable for doors with single and double opening action
- 2 types of use according to the hold open position: ± 90°, ± 110°
- **German pivot** (Italian pivot available on request).



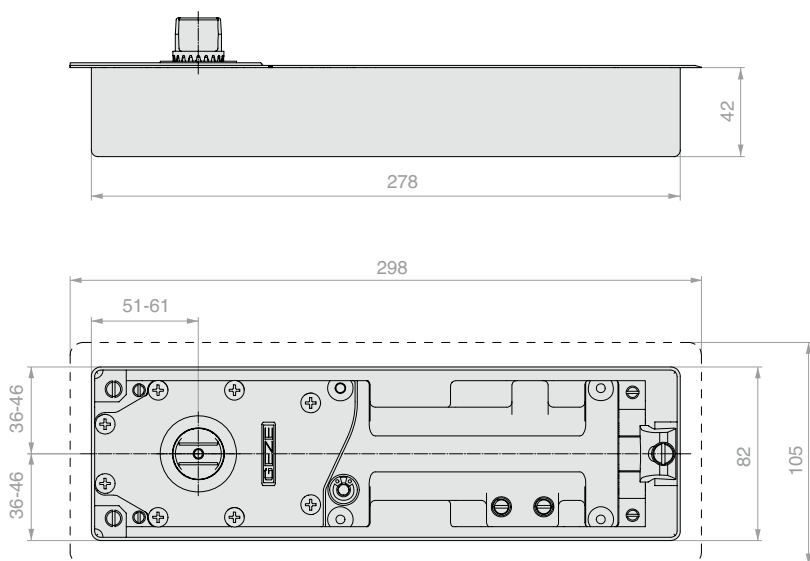
SPECIFY GERMAN OR ITALIAN PIVOT

ADJUSTMENT CLOSING FORCE

ADJUSTMENT CLOSING SPEED

ADJUSTMENT FINAL STROKE

Art.	Force	Capacity L	Capacity P	Hold open	Pivot	Qty
GZ-TS500NV90	Adjustable between EN1 and EN4	1100 mm	150 kg	± 90°	German	1 Pc
GZ-TS500NV110	Adjustable between EN1 and EN4	1100 mm	150 kg	± 110°	German	1 Pc



**Dimensions of galvanised case
for cementing into the ground:**

Length: 278 mm
Width: 82 mm
Height: 42 mm

**Adjustment of door closer
inside the case:**

Lengthways: 10 mm
Widthways: 10 mm
Height: 6 mm

Plate dimensions

Length: 298 mm
Width: 105 mm

ADAPTOR

Material: galvanised plate

Plate used as adaptor for GEZE door closer on other brands' cases embedded in the wall.

Perfect for replacement works.



Art.
GZ-TSADT

Q.ty
1 Pc



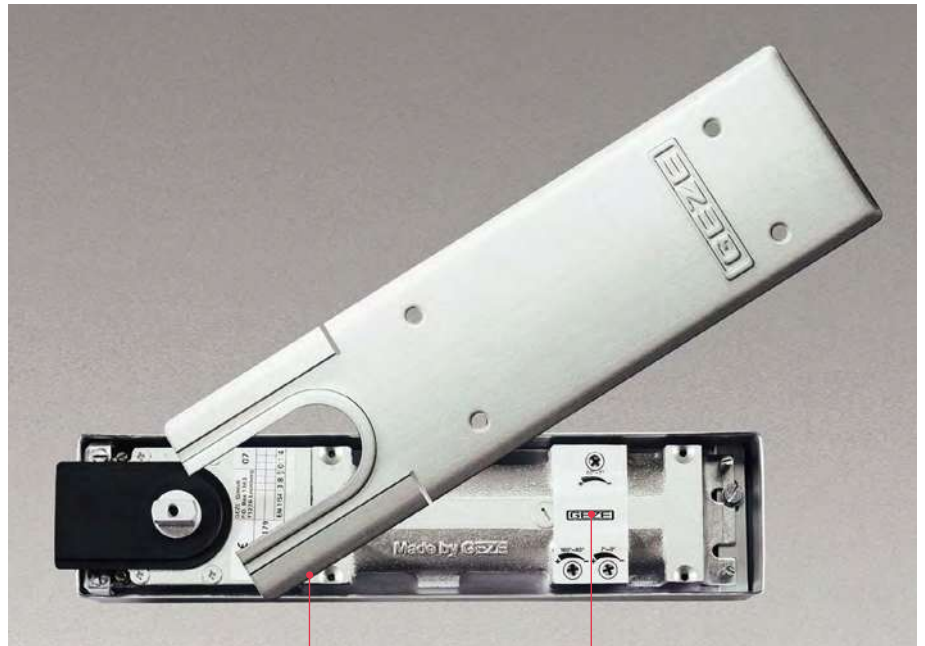
TS 550 NV

Floor-mounted door closer for hinged and swing doors

The TS 550 NV offers convenience and elegance for swing or hinged doors with door panel weights of up to 300 kg. Its versatility and robustness are particularly well suited to frequently used doors in entrances, such as in offices or lobbies and exhibition centres. With two valves, the opening speed and final stroke can be easily adjusted to ensure the door closes safely. The use of thermostabilised valves helps to avoid switching between summer and winter. **The TS 550 NV model has been tested for 1,000,000 opening and closing cycles.** The TS 550 NV is the door closer for the most demanding use cases. With a strong chrome-silicon steel spring, it does not lose any strength even after being used for ten years. Tempered pistons for high tensile strength and wear resistance featuring an innovative seal technology. Robust grey cast iron housing, high corrosion resistance. Safety valve which prevents intentional damage to the lock or the door by means of excessive pressure, comes with brushed stainless steel finishing plate.

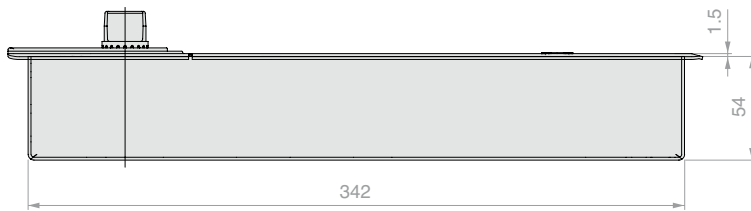
Properties:

- Force adjustable from EN3 to EN6 according to EN1154
 - Adjustable closing speed and final stroke
 - Variable hold open between $\pm 80^\circ$ and $\pm 165^\circ$, can be activated/deactivated
 - Adjustable closing delay time
 - Safety valve to prevent overloads
 - Closing action from around 170°
 - Adjustment tolerance: height 6 mm, width 10 mm, length 9 mm
 - Galvanised sheet metal cement case
 - Thermostabilised valve avoids switching between summer and winter
- **German pivot** (Italian pivot available on request).



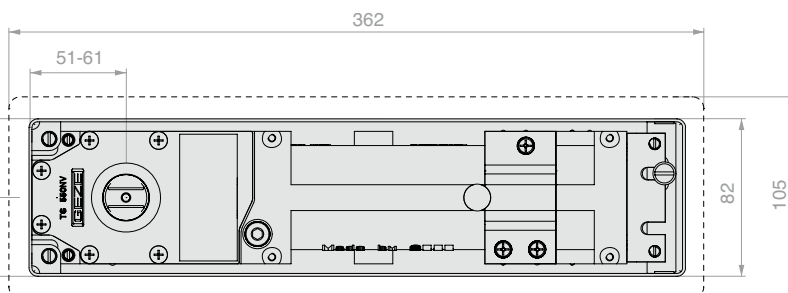
ADJUSTMENT CLOSING FORCE

3 VALVES FOR SETTING:
 • CLOSING SPEED
 • FINAL STROKE
 • HOLD OPEN/CLOSING DELAY TIME



Dimensions of case for cementing into the ground:

Length: 342 mm
 Width: 82 mm
 Height: 54 mm



Adjustment of door closer inside the case:

Lengthways: 9 mm
 Widthways: 10 mm
 Height: 6 mm

Plate dimensions

Length: 362 mm
 Width: 105 mm

Art.	Force	Capacity L	Capacity P	Hold open - can be activated/deactivated	Pivot	Qty
GZ-TS550NV	Adjustable between EN3 and EN6	1400 mm	300 kg	Adjustable between 80° and 165°	German	1 Pc

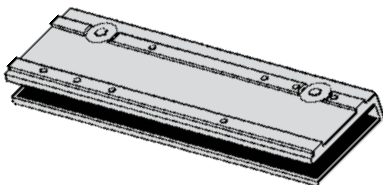
TS 3000 V

Overhead door closer

Combining security requirements with a need for devices that only require a minimal force from users to operate them and a corresponding lower closing force. These requirements are fulfilled by the TS 3000 V overhead door closer. The doors can be opened and closed with minimal force. Standard colour: galvanised aluminium. On request, any colour in the RAL chart is possible

Properties:

- Adjustable force between EN1 and EN4 according to EN1154
- Reduced opening force
- Adjustable closing force
- Adjustable closing speed
- Thermostabilised valves avoid switching between summer and winter



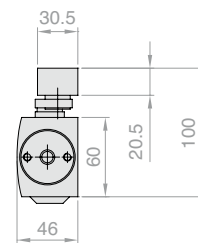
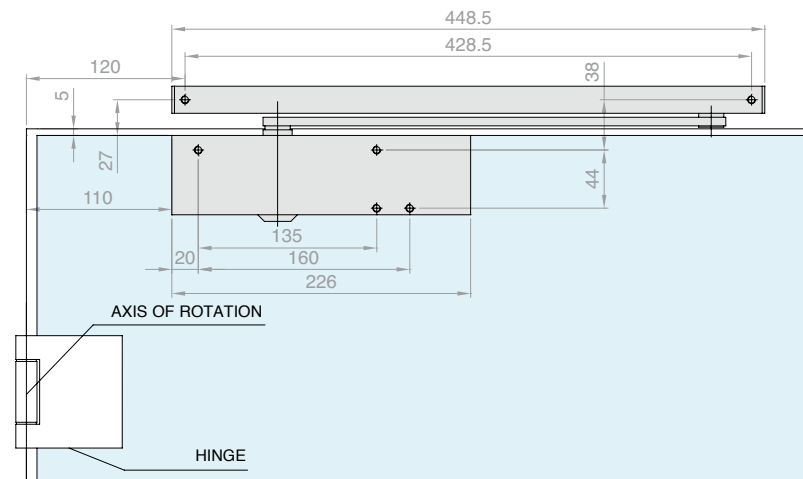
Clamp for glass doors

Clamp for attaching the door closer to the glass does not require any glass machining.

- Dimensions 226 x 67 x 20 mm
- For glass thickness from 8 to 10 mm



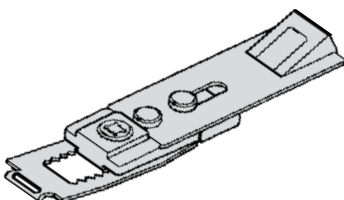
ADJUSTMENT OF FINAL STROKE ADJUSTMENT OF CLOSING SPEED



Art.	Force	Capacity L	Qty
GZ-TS3000V	Adjustable between EN1 and EN4	1100 mm	1 Pc

OPTIONAL - Mechanical hold open

Fitting the hold open unit in the corresponding guideway allows the hold open to be adjusted continuously between 80° and 130°. The hold force of the hold open can also be adjusted. This also allows the hold open to be disabled.



Art.	Qty
GZ-TS071924	1 Pc

**SEVAX JANUS+****Floor-mounted door closer for hinged and swing doors**

Door closer with the zamak body, a stainless steel material suitable for applications in environments with high humidity levels (e.g. bathrooms, outdoor areas). Products wholly made in France by SEVAX - SAINT-GOBAIN. The small size of the body (255 x 68 x H48) means it can be installed in the main door closer cases available on the market. Useful for operating single or double door panels.

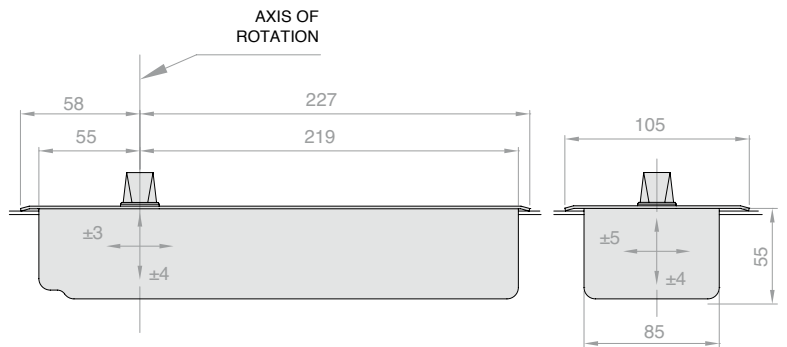
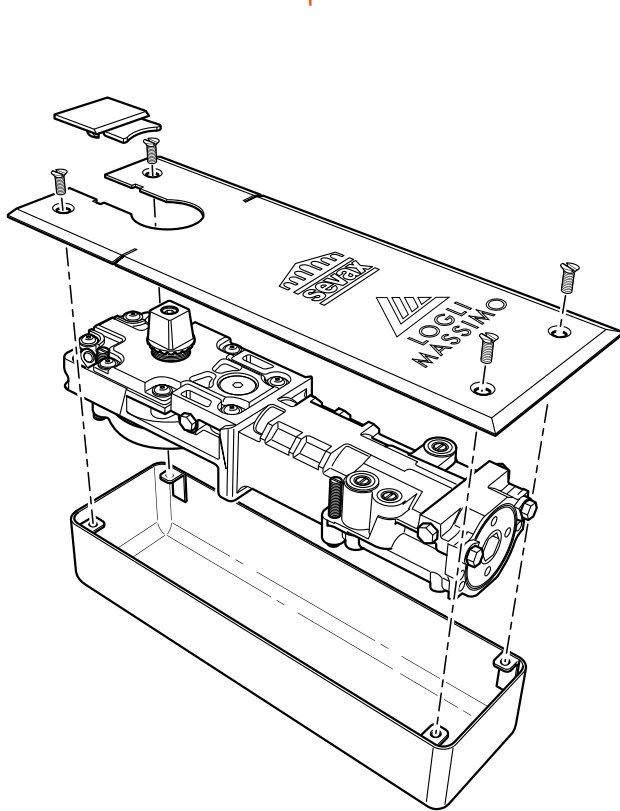
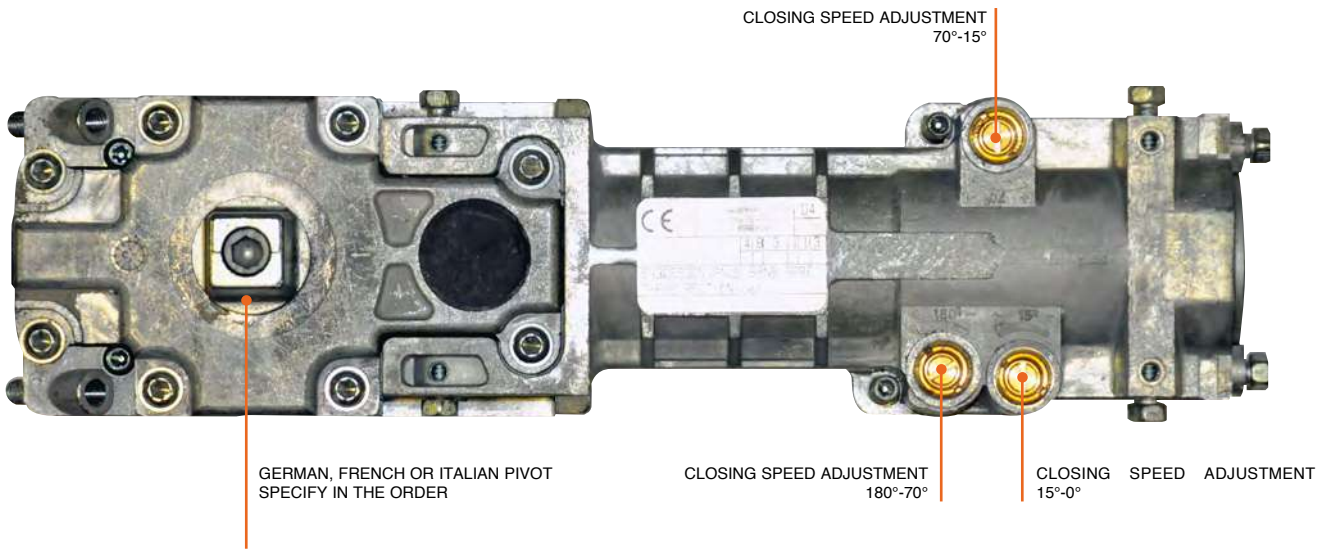
The maximum weight is 150 kg for doors up to 1250 mm wide. Comes with stainless steel plate.

The JANUS+ model has been tested for **500,000** opening and closing cycles, in accordance with European standard EN1154

**Properties:**

- Height 55 mm
- Closing force between EN3 and EN5 (according to EN1154), closing force EN3 PMR allows for use in areas available to people of reduced mobility, the reduced torque makes it easier to open the door
- Opening/closing movement $-180^{\circ}/+180^{\circ}$
- 3 speed settings: $180^{\circ}-70^{\circ}$, $70^{\circ}-15^{\circ}$, $15^{\circ}-0^{\circ}$
- Adjustment of positioning for alignment of the axis in 3 planes: $x = \pm 3$ mm, $y = \pm 5$ mm, $z = \pm 4$ mm
- Adjustment of zero point $\pm 3^{\circ}$
- Galvanised cement case
- 2 types of use according to the hold open position: $\pm 90^{\circ}$, $\pm 105^{\circ}$
- German, **French**, or Italian pivot

Finish: **/8** **/15**



Dimensions of galvanised case for cementing into the ground:

- Length: 273 mm
- Width: 85 mm
- Height: 55 mm

Adjustment of door closer inside the case:

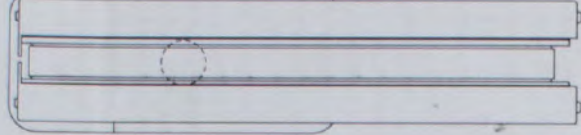
- Lengthways: ± 3 mm
- Widthways: ± 5 mm
- Height: ± 4 mm

Plate dimensions:

- Length: 285 mm
- Width: 105 mm

	Height	Length	Width
Device	48 mm	255 mm	68 mm
Case	55 mm	273 mm	85 mm
Adjustment space	8 mm	6 mm	10 mm

Art.	Force	Capacity L	Capacity P	Hold open	Pivot	Qty
SX-JS903PMRFR	EN3PMR	950 mm	150 kg	± 90°	French	1 Pc
SX-JS903PMRDE	EN3PMR	950 mm	150 kg	± 90°	German	1 Pc
SX-JS903PMRIT	EN3PMR	950 mm	150 kg	± 90°	Italian	1 Pc
SX-JS903FR	EN3	950 mm	150 kg	± 90°	French	1 Pc
SX-JS903DE	EN3	950 mm	150 kg	± 90°	German	1 Pc
SX-JS903IT	EN3	950 mm	150 kg	± 90°	Italian	1 Pc
SX-JS904FR	EN4	1100 mm	150 kg	± 90°	French	1 Pc
SX-JS904DE	EN4	1100 mm	150 kg	± 90°	German	1 Pc
SX-JS904IT	EN4	1100 mm	150 kg	± 90°	Italian	1 Pc
SX-JS905FR	EN5	1250 mm	150 kg	± 90°	French	1 Pc
SX-JS905DE	EN5	1250 mm	150 kg	± 90°	German	1 Pc
SX-JS905IT	EN5	1250 mm	150 kg	± 90°	Italian	1 Pc
SX-JS1053FR	EN3	950 mm	150 kg	± 105°	French	1 Pc
SX-JS1053DE	EN3	950 mm	150 kg	± 105°	German	1 Pc
SX-JS1053IT	EN3	950 mm	150 kg	± 105°	Italian	1 Pc
SX-JS1054FR	EN4	1100 mm	150 kg	± 105°	French	1 Pc
SX-JS1054DE	EN4	1100 mm	150 kg	± 105°	German	1 Pc
SX-JS1054IT	EN4	1100 mm	150 kg	± 105°	Italian	1 Pc



sevax
SAINT-GOBAIN

www.log



SEVAX.
garantie porte uniquement sur le remplacement
dans le cadre d'une utilisation normale.
SEVAX ne saurait être engagée en
autres que celles proposées par les différen
du produit non-conforme à sa destination,
lorsque le défaut ou le vice constaté résul
origine différente. La garantie est égaleme
par l'usure normale, par un accident
non prévue ni spécifiée par SEVAX.

WARRANTY
against any latent defect that might
of a 24 month period following the
recognized date when the products
ed the customer must inform
carried out to determine wheth
replacement of the product.
use.
responsibility if the product has been modifi
what is recommended by our outstanding p
from what it was designed for as described in our d
incompatibility between our product and components f
does not extend either to defects or damage resulting from norm
the product not recommended by SEVAX.



SEVAX HYDRAULIC HINGE KIT

Material: Aluminium body, AISI304 stainless steel cover.

Kit including lower hydraulic hinge Art. SX-BT903, upper hinge Art. SX-BTUP1, and ceiling pivot SX-BTUP3.

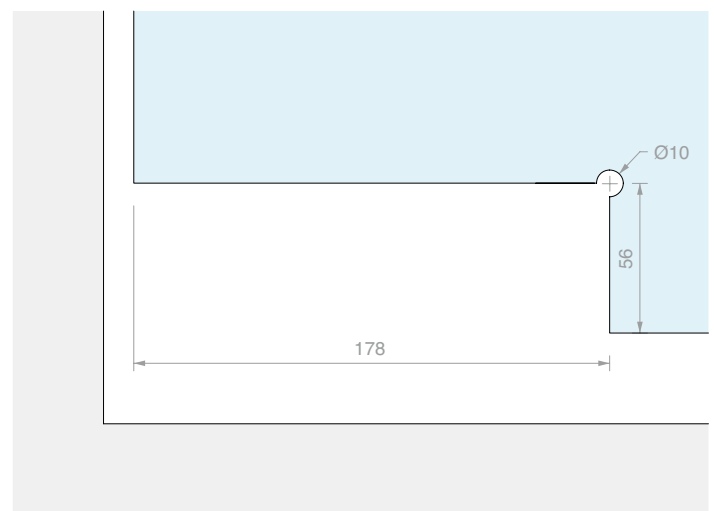
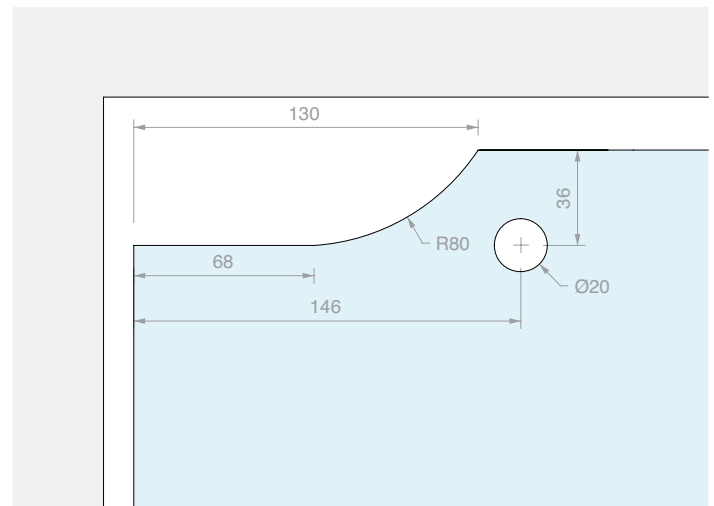
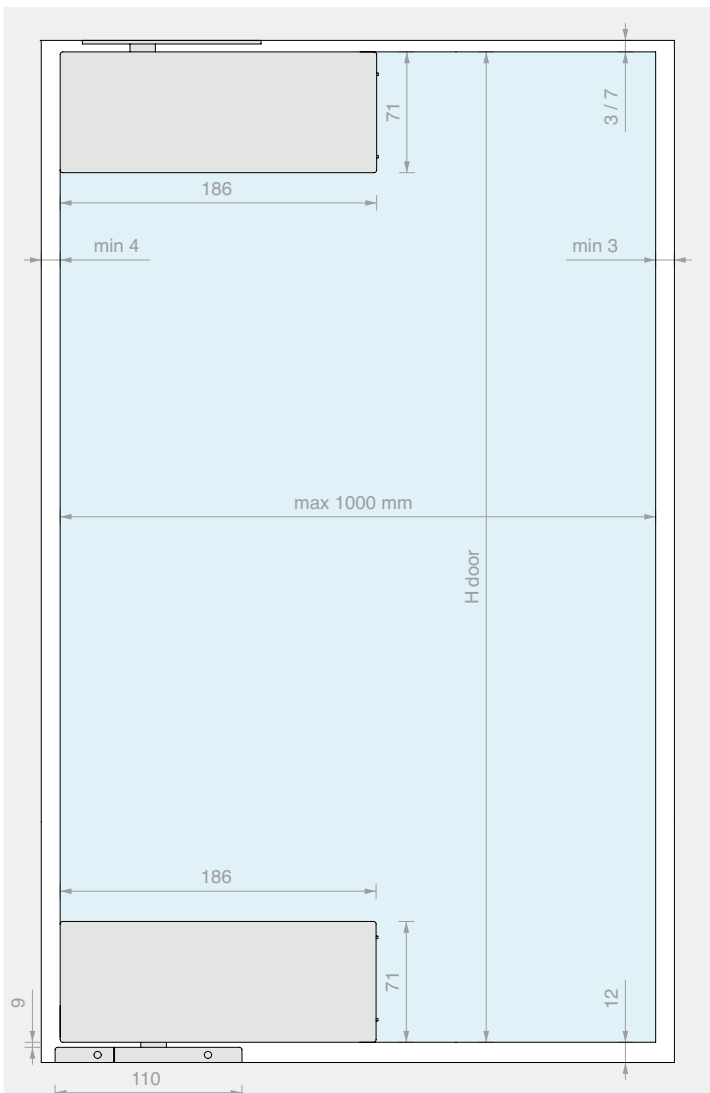
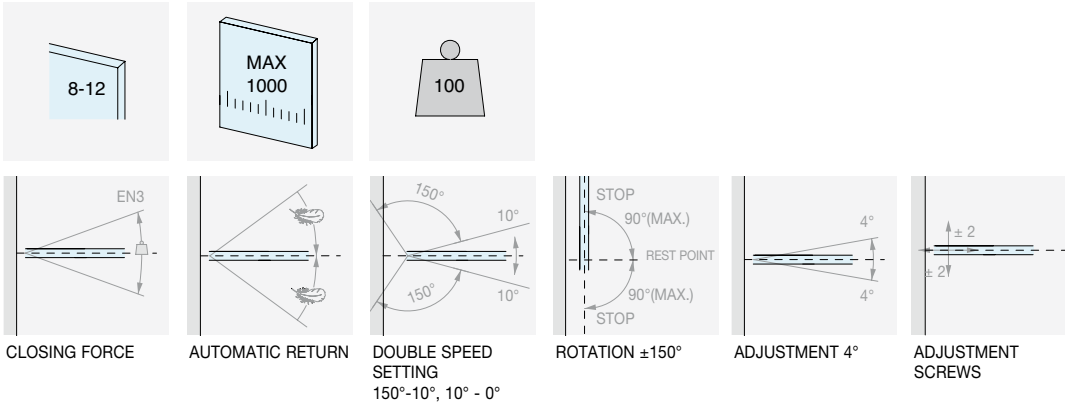
Lower hinge with automatic return which can be used with door panels weighing up to 100 kg and up to 1000 mm wide with rotation $\pm 150^\circ$

The hinge has two speed settings: between $150^\circ - 10^\circ$ and $10^\circ - 0^\circ$.

It is also possible to adjust both the zero point by $\pm 4^\circ$ and the position of the door by $\pm 2^\circ$ horizontally and vertically

The BTWIST model has been tested for 500,000 opening and closing cycles, in accordance with European standard EN1154:1996

Finish: /8 /15



Art.	Closing force	For glass	Qty
SX-BTKIT	EN3 (28 Nm)	From 8 to 12 mm	1 Pc

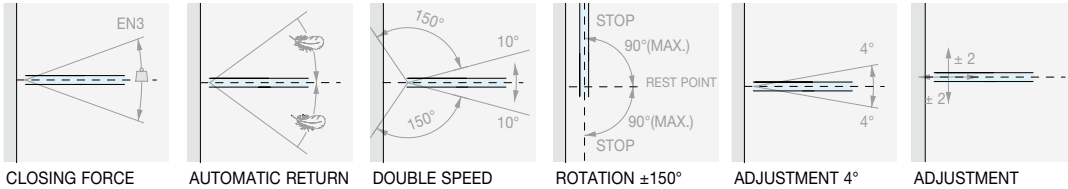
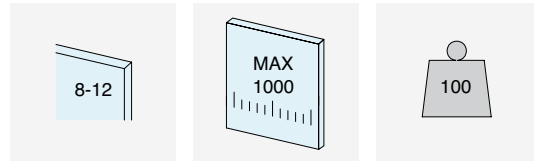


SEVAX BTWIST LOWER HINGE

Material: Aluminium die cast body,
AISI 304 stainless steel cover.

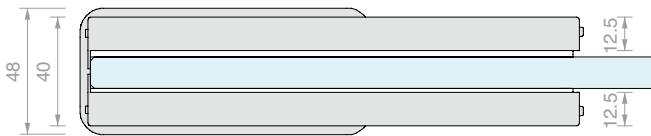
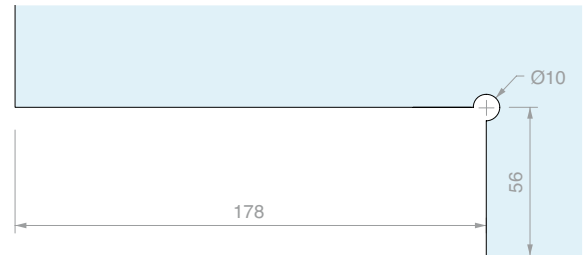
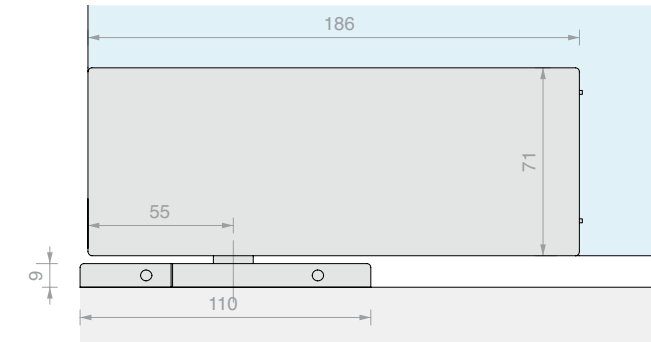
Lower hinge with automatic return can be used with door panels weighing up to 100 kg and up to 1000 mm wide with rotation $\pm 150^\circ$. The hinge has two speed settings: between $150^\circ - 10^\circ$ and $10^\circ - 0^\circ$. It is also possible to adjust both the zero point by $\pm 4^\circ$ and the position of the door by $\pm 2^\circ$ horizontally and vertically. The BTWIST model has been tested for 500,000 opening and closing cycles, in accordance with European standard END1154:1996

Finish: /8 /15



The BTWIST model has been tested for 500,000 opening and closing cycles, in accordance with European standard END1154:1996

150°-10°, 10° - 0°

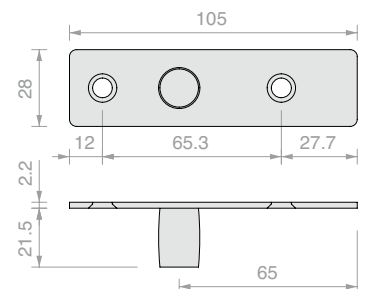


Art.	Closing force	For glass	Qty
SX-BT903	EN3 (28 Nm)	From 8 to 12 mm	1 Pc



PIN FOR UPPER HINGE BTUP1

Material: AISI 304 steel
Finish: /8 /15

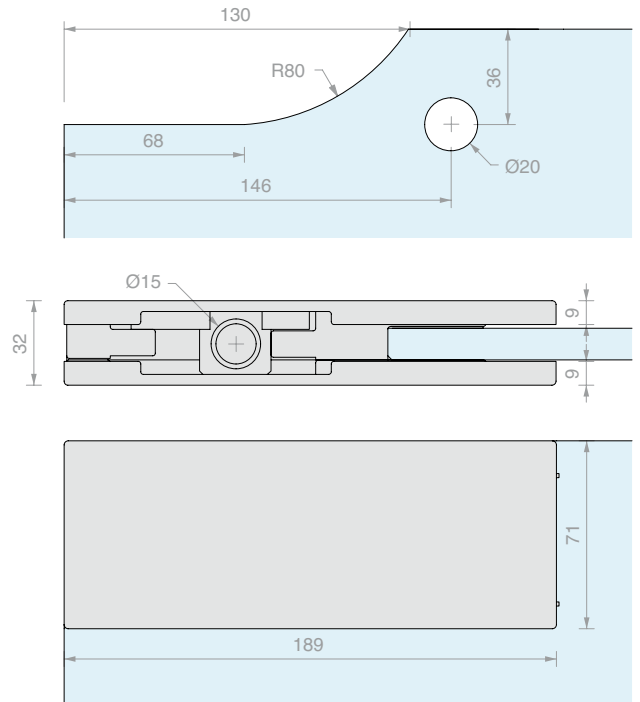


Art.	Qty
SX-BTUP3	1 Pc



SEVAX BTWIST UPPER HINGE

Material: Aluminium die cast body,
 AISI 304 stainless steel cover.
 Finish: /8 /15



Art.
SX-BTUP1

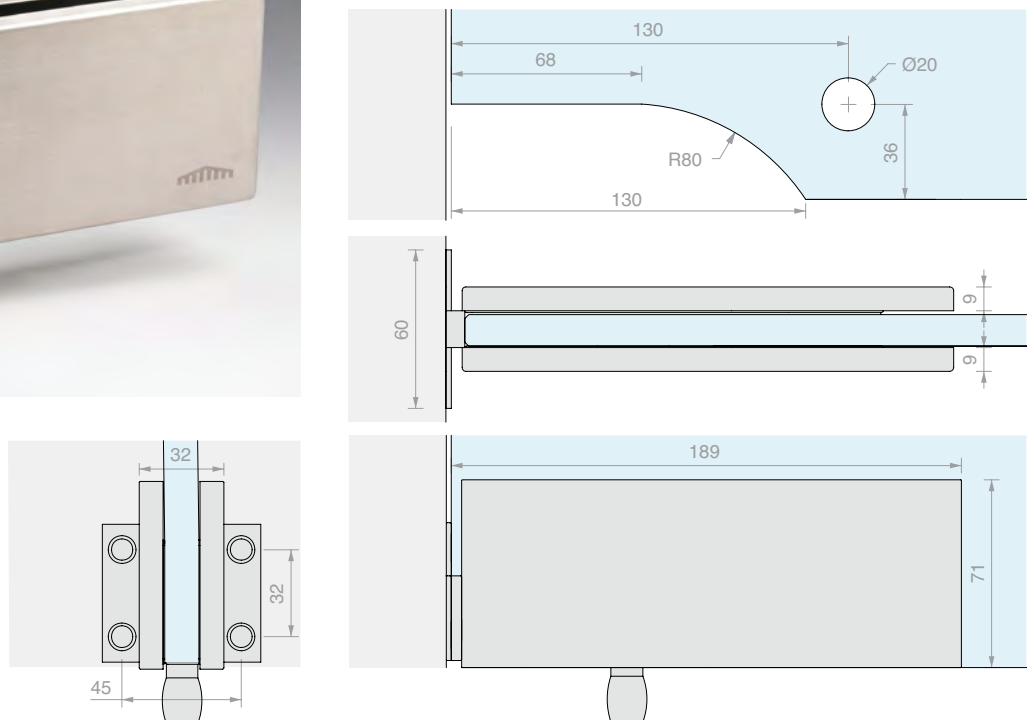
For glass
 From 8 to 12 mm

Qty
 1 Pc



SEVAX TRANSOM HINGE WALL FIXING

Material: Aluminium die cast body,
 AISI 304 stainless steel cover.
 Finish: /8 /15



Art.
SX-BTUP5

For glass
 From 8 to 12 mm

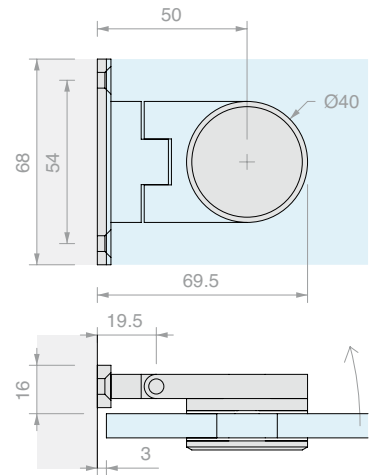
Qty
 1 Pc





SOLEIL ROYAL SERIES WALL/GLASS HINGE

Material: AISI 304 stainless steel
 Rotation - 90
 Recommended hole size Ø20 mm
 Finish: /9

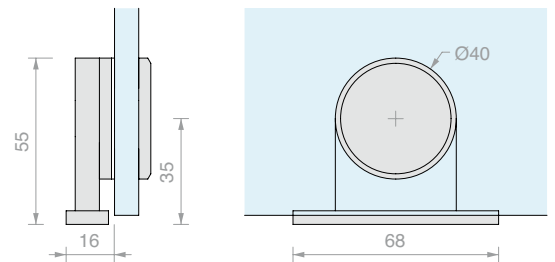


Art.	For glass	Qty
SPH2	From 8 to 10 mm	1 Pc



SOLEIL ROYAL SERIES WALL/GLASS CONNECTOR

Material: AISI 304 stainless steel
 Recommended hole size Ø20 mm
 Finish: /9

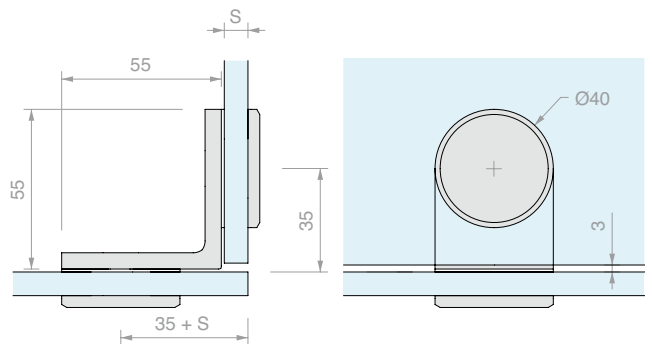


Art.	For glass	Qty
SPC501	From 8 to 10 mm	1 Pc



SOLEIL ROYAL SERIES 90° 2-WAY CONNECTOR

Material: AISI 304 stainless steel
 Recommended hole size Ø20 mm
 Finish: /9

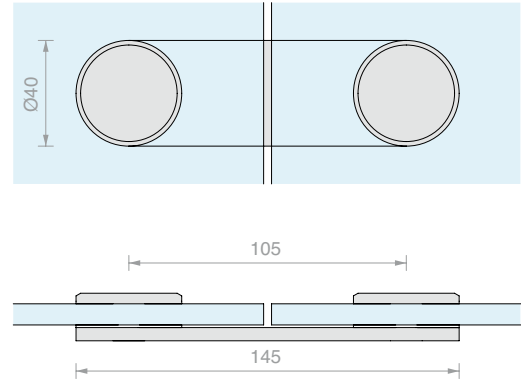


Art.	For glass thickness (S)	Qty
SPC503	From 8 to 10 mm	1 Pc



SOLEIL ROYAL SERIES STRAIGHT 2-WAY CONNECTOR

Material: AISI 304 stainless steel
Recommended hole size Ø20 mm
Finish: /9

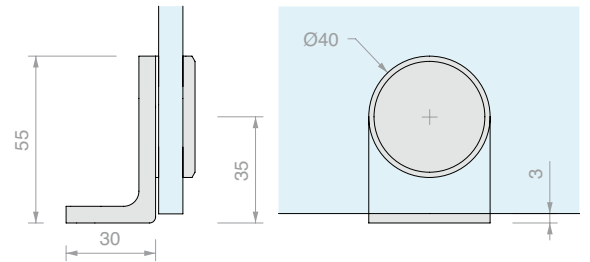


Art.	For glass	Qty
SPC509	From 8 to 10 mm	1 Pc



SOLEIL ROYAL L-SHAPED CONNECTOR

Material: AISI 304 stainless steel
Recommended hole size Ø20 mm
Finish: /9

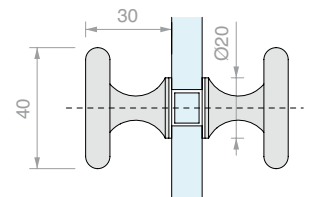


Art.	For glass	Qty
SPC507	From 8 to 10 mm	1 Pc



PAIR OF SOLEIL ROYAL SERIES DOOR KNOBS

Material: AISI 304 stainless steel
Recommended hole size Ø12 mm
Finish: /9

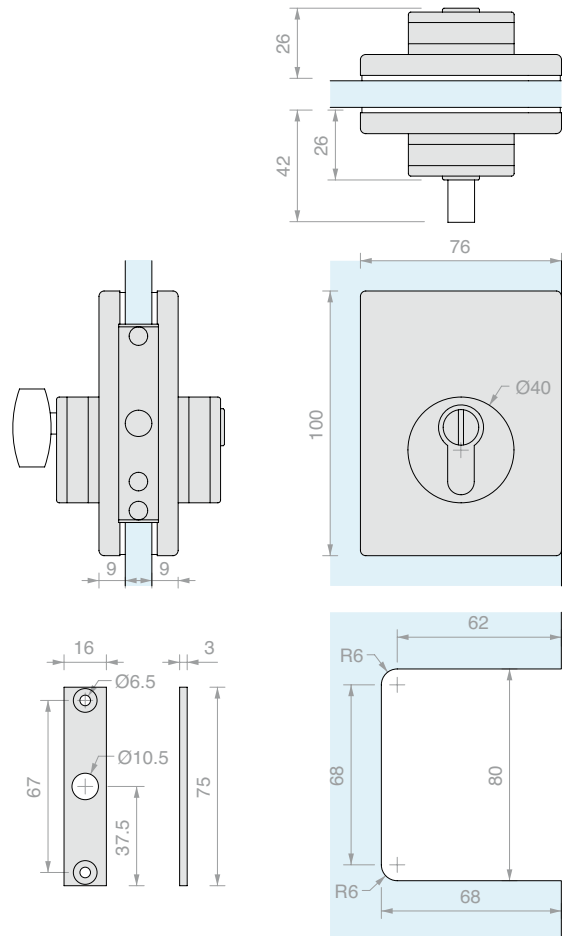


Art.	For glass	Qty
POM8	From 8 to 10 mm	1 Pc



SOLEIL ROYAL LOCK

Material: AISI 304 stainless steel
 Supplied with European cylinder and 3 keys
 Pivot $\varnothing 10 \times L 18$ mm.
 Finish: /8 /15

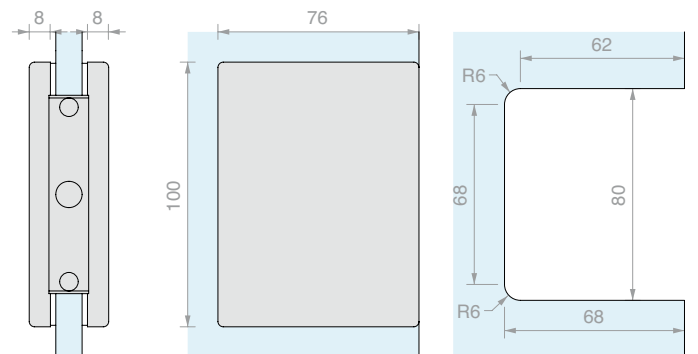


Art.	For glass	Lock	Key	Qty
SEROYS	From 8 to 12 mm	Lock + lock	Single	1 Pc
SEROYSD	From 8 to 12 mm	Lock + lock	Different	1 Pc
SEROYP	From 8 to 12 mm	Door knob + lock	Different	1 Pc

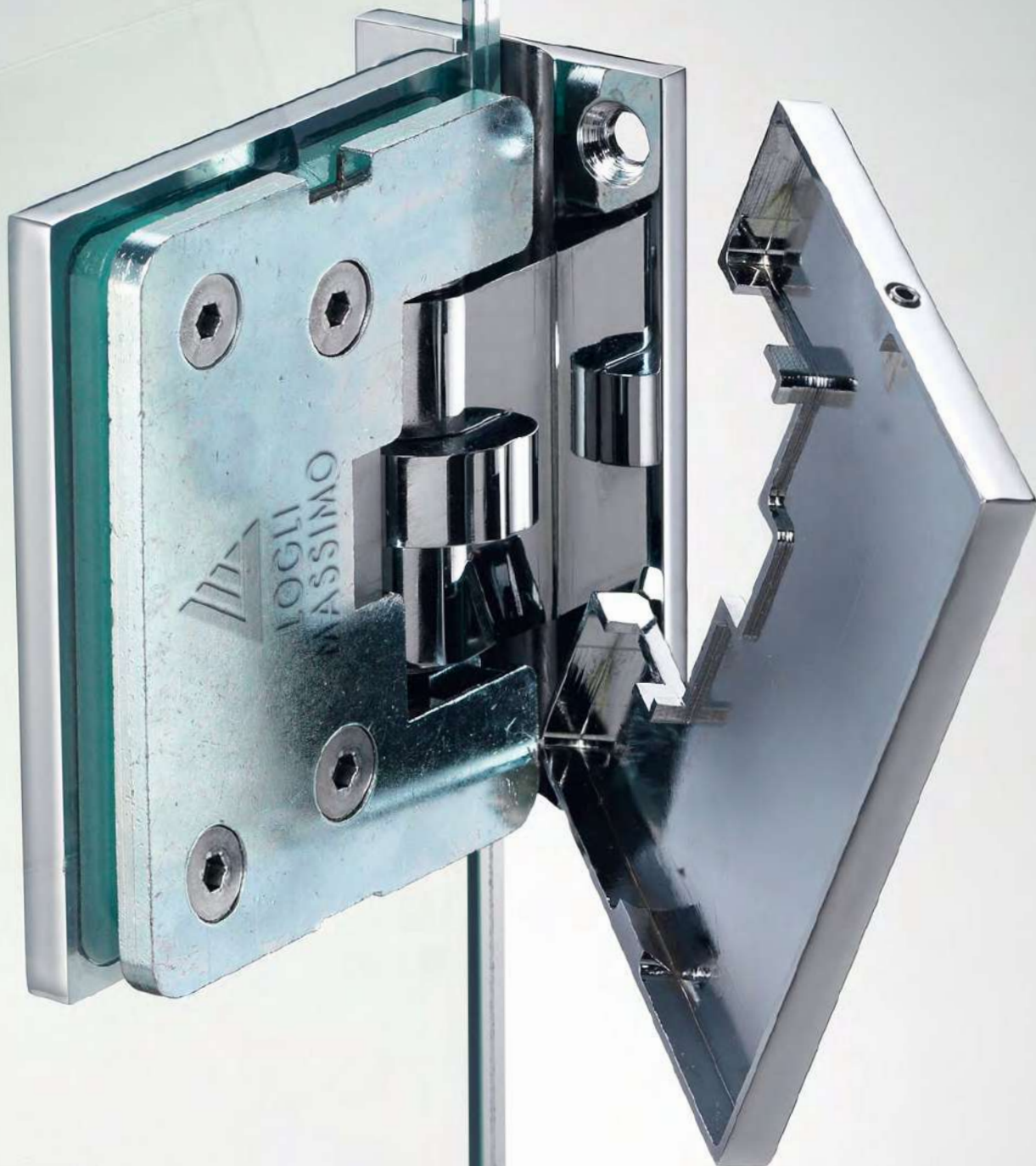


STRIKE PLATE FOR SOLEIL ROYAL LOCK

Material: AISI 304 stainless steel
 Finish: /8 /15



Art.	For glass	Qty
SEROYC	From 8 to 12 mm	1 Pc





**CENTRAL WALL/GLASS HINGE
DQMATIQUE WITH SPRING RETURN**

Material: Brass, AISI 304 stainless steel

Finish: /1 /24 /45



SET OF WALL SPACERS

Material: Steel

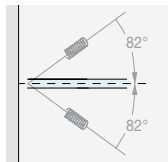
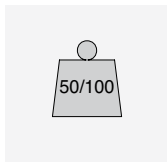
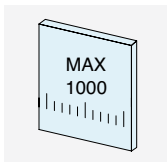
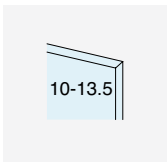
1 Pc thickness 0.5 mm

1 Pc thickness 1 mm

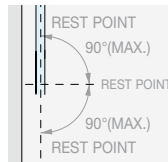
1 Pc thickness 2.5 mm

Finish: /8 /15

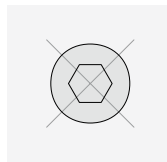
Art.	Qty
DQMATIQUE3	1 Pc



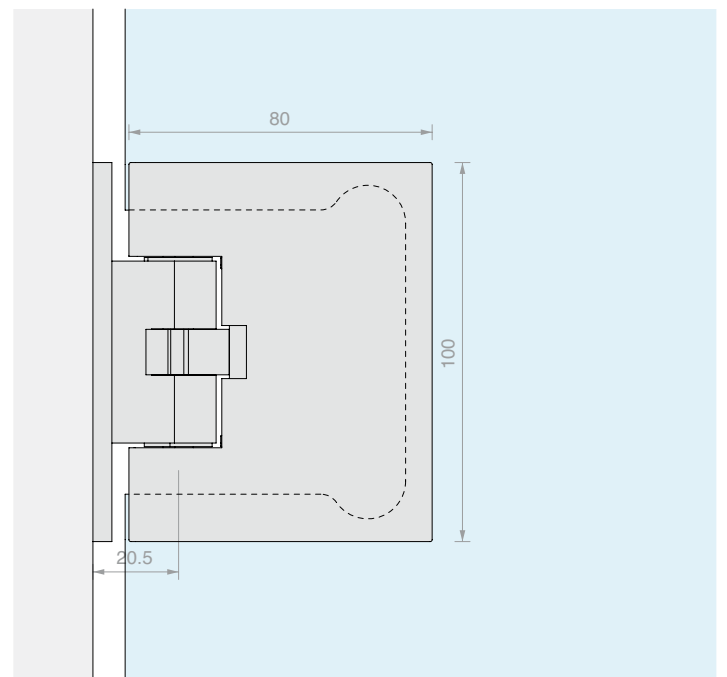
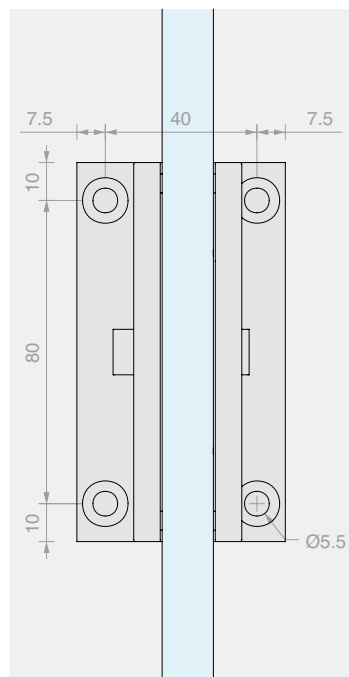
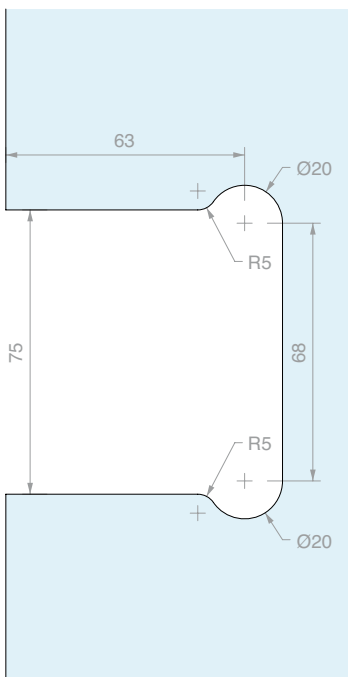
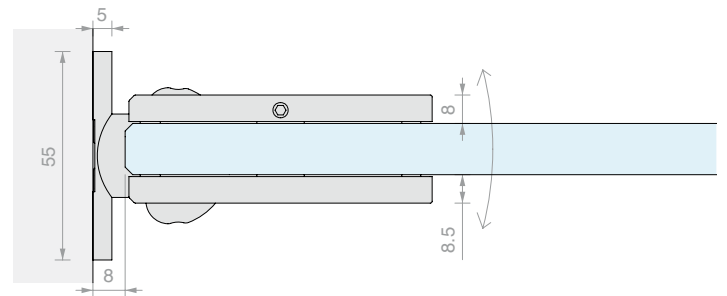
CLOSING RETURN



±90° ROTATION



NO EXPOSED SCREWS



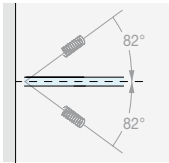
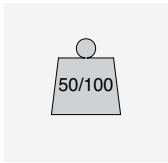
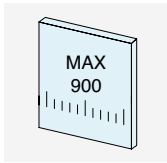
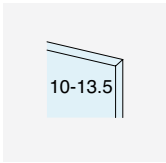
Art.	Load	For glass	Qty
DQMATIQUE44	50 kg	From 10 to 13.5 mm	1 Pc
DQMATIQUE66	100 kg	From 10 to 13.5 mm	1 Pc



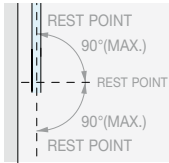
**GLASS/GLASS HINGE
DQMATIQUE WITH SPRING RETURN**

Material: Brass, AISI 304 stainless steel

Finish: /1 /24 /45



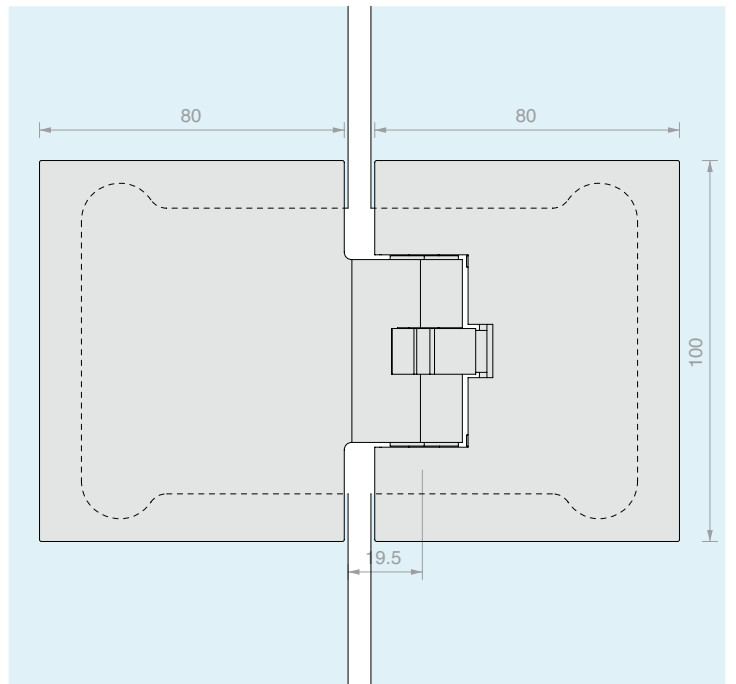
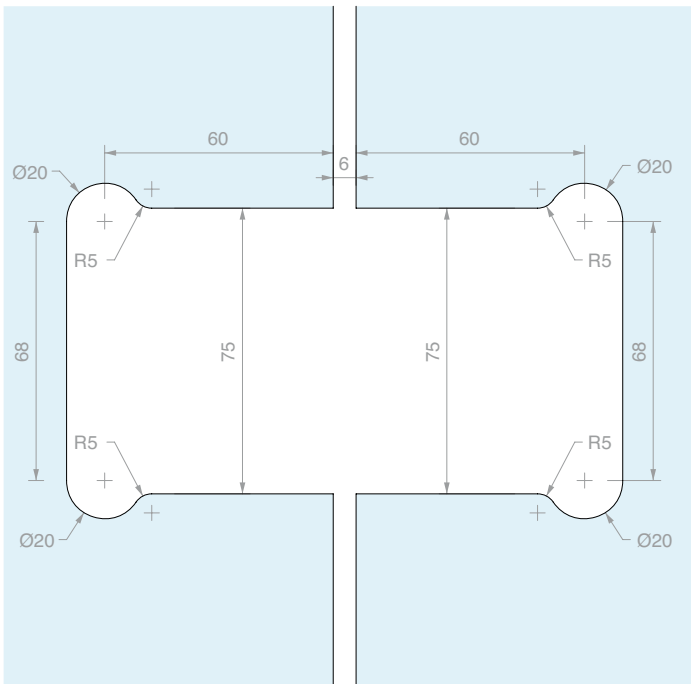
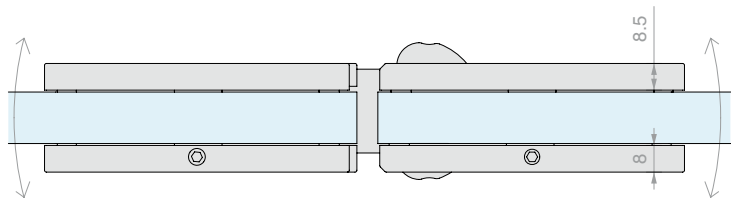
CLOSING RETURN



±90° ROTATION



NO EXPOSED SCREWS

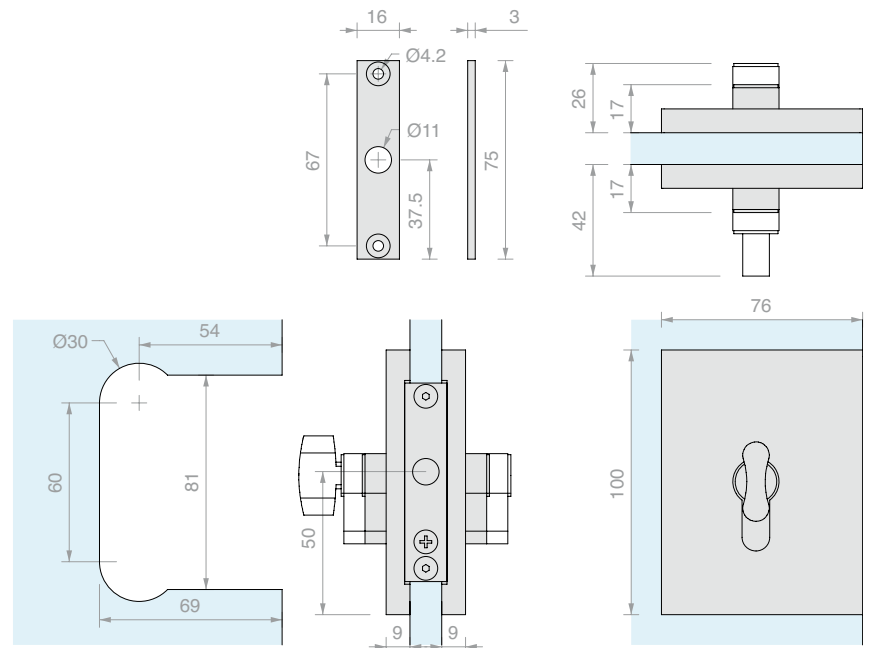


Art.	Load	For glass	Qty
DQMATIQUE480	50 kg	From 10 to 13.5 mm	1 Pc
DQMATIQUE680	100 kg	From 10 to 13.5 mm	1 Pc



SER-MY LOCK

Material: Brass
 Supplied with European cylinder and 3 keys
 Pivot Ø10 x L 18 mm.
 Finish: /1 /2 /3

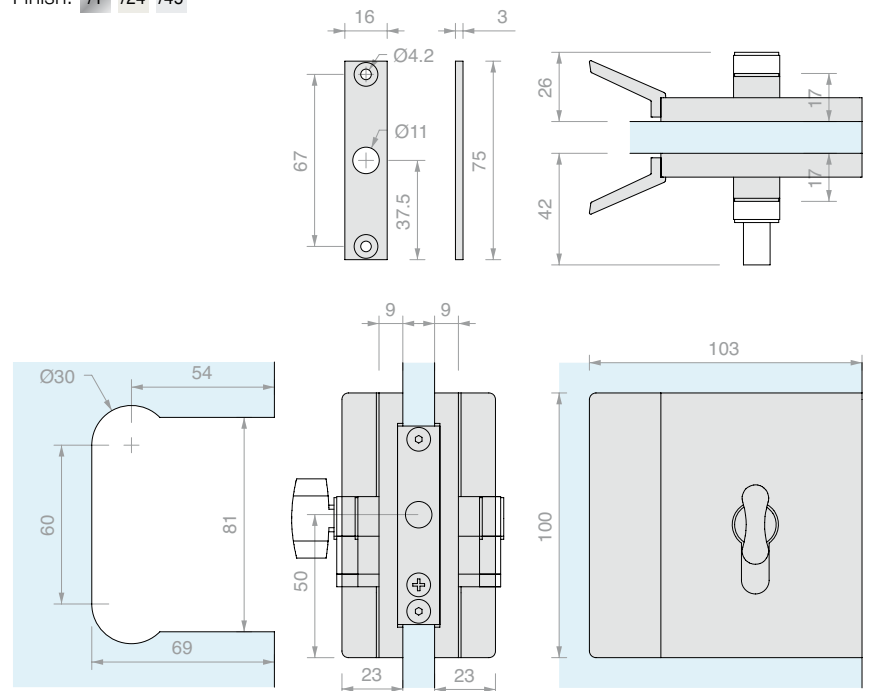


Art.	For glass	Lock	Key	Qty
SERMYS	From 8 to 12 mm	Lock + lock	Different	1 Pc
SERMYSU	From 8 to 12 mm	Lock + lock	Single	1 Pc
SERMYP	From 8 to 12 mm	Door knob + lock	Single	1 Pc



SER-MY LOCK WITH REAR HANDLES

Material: Brass
 Supplied with European cylinder and 3 keys
 Pivot Ø10 x L 18 mm.
 Finish: /1 /24 /45

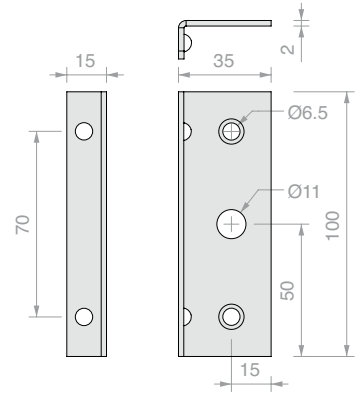


Art.	For glass	Lock	Key	Qty
SERMYMS	From 8 to 12 mm	Lock + lock	Different	1 Pc
SERMYMSU	From 8 to 12 mm	Lock + lock	Single	1 Pc
SERMYMP	From 8 to 12 mm	Door knob + lock	Single	1 Pc



WALL STRIKE PLATE

Material: Steel
Finish: /8 /15

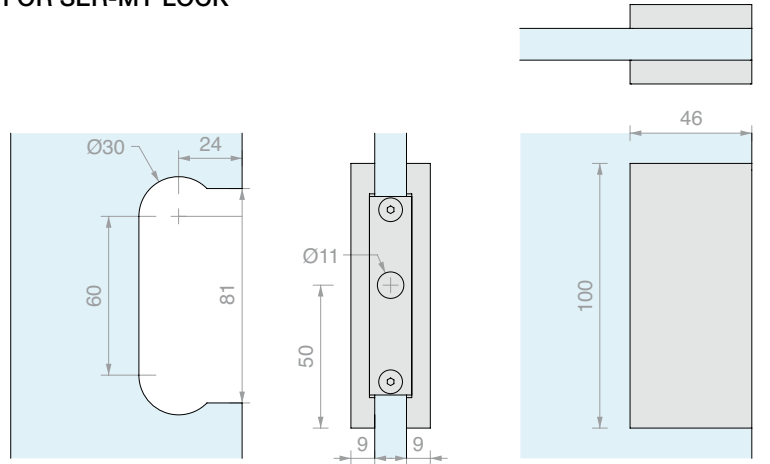


Art. **SERMYL** Qty 1 Pc



STRIKE PLATE FOR SER-MY LOCK

Material: Brass
Finish: /1 /2 /3

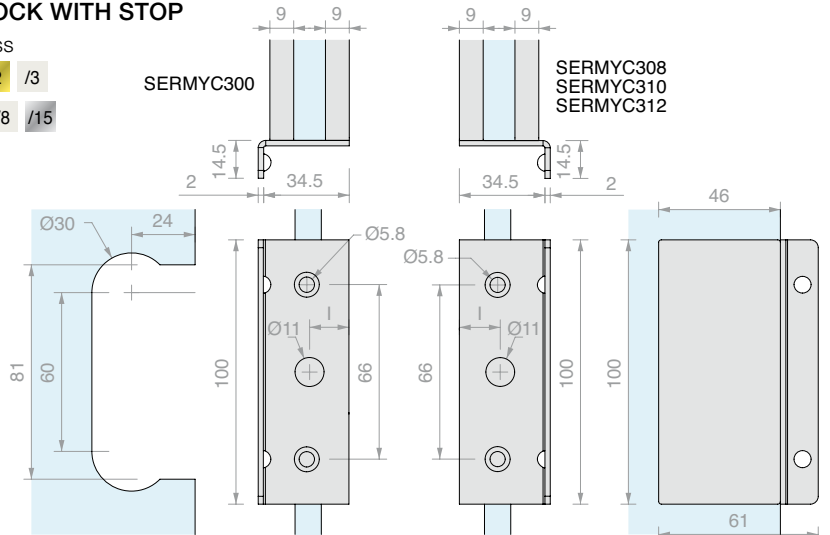


Art. **SERMYC1** For glass From 8 to 12 mm Qty 1 Pc



STRIKE PLATE FOR SER-MY LOCK WITH STOP

Material: Brass
Finish: /1 /2 /3
Finish*: /2 /8 /15



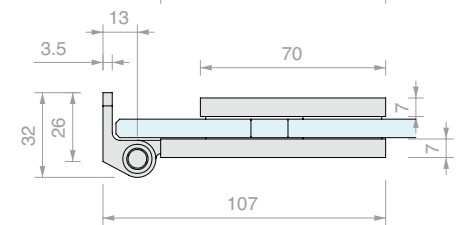
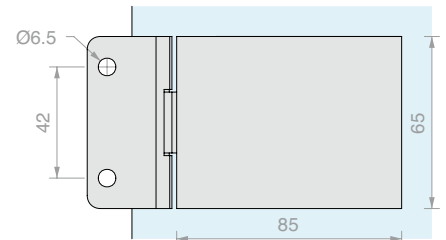
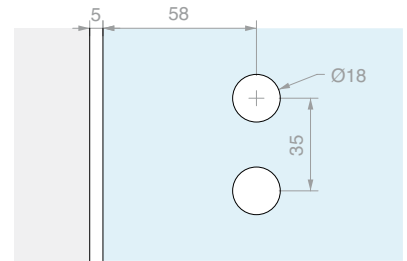
Art.	For glass	l	Description	Qty
SERMYC300	From 8 to 12 mm	15 mm		1 Pc
SERMYC308	8 mm	15.5 mm		1 Pc
SERMYC310	10 mm	15 mm		1 Pc
SERMYC312	12 mm	14 mm		1 Pc
YC300*	From 8 to 12 mm	15 mm	Plate only	1 Pc
YC308*	8 mm	15.5 mm	Plate only	1 Pc
YC310*	10 mm	15 mm	Plate only	1 Pc
YC312*	12 mm	14 mm	Plate only	1 Pc



HINGE FOR NARROW JAMBS FR300R

Material: AISI 304 stainless steel

Finish: /8 /15



8/12	MAX 1000	60	+90° ROTATION
------	----------	----	---------------

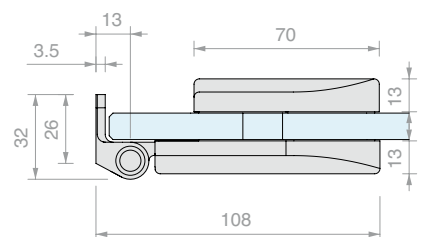
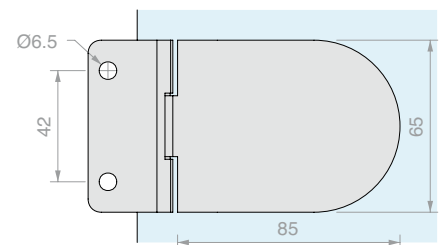
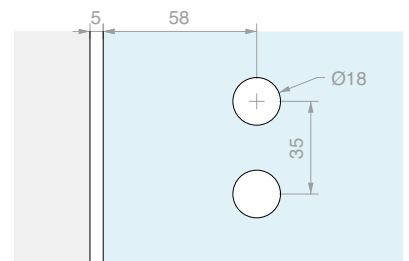
Art.	For glass	Qty
FR300R	From 8 to 12 mm	1 Pc



HINGE FOR NARROW JAMBS FH300C

Material: AISI 304 stainless steel

Finish: /8 /15



8/12	MAX 1000	60	+90° ROTATION
------	----------	----	---------------

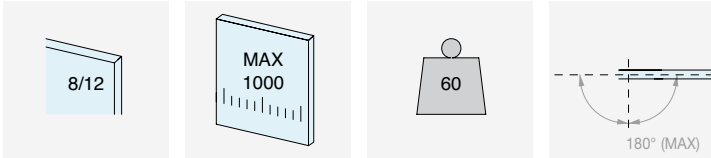
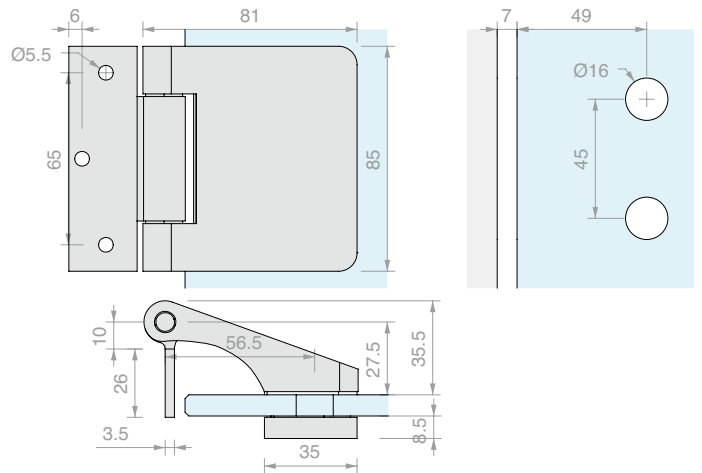
Art.	For glass	Qty
FH300C	From 8 to 12 mm	1 Pc



VERTICAL HINGE FOR DOOR JAMBS

Material: Brass

Finish: /1 /3



Art.	For glass	Qty
CER148	From 8 to 12 mm	1 Pc

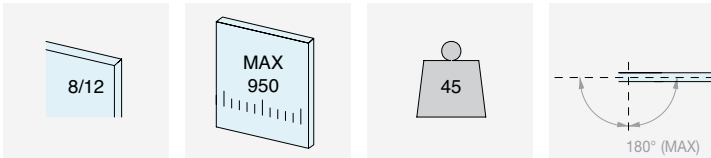
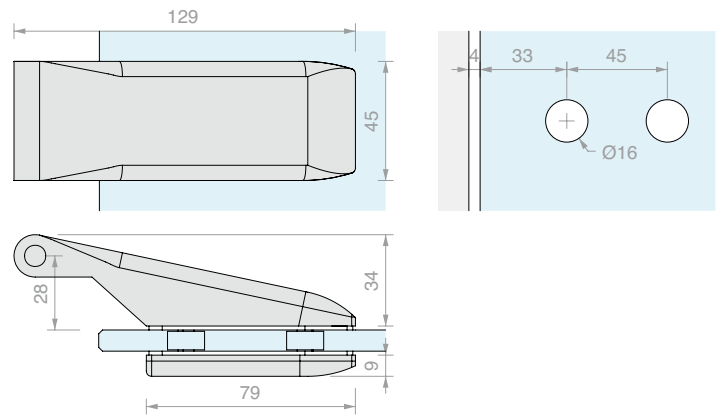


SQUARE HINGE FOR DOOR JAMBS TO BE FITTED TO WALL PIVOT

Material: Brass

With anuba hinge cover

Finish: /1 /3



Art.	For glass	Qty
CER160	From 8 to 12 mm	1 Pc

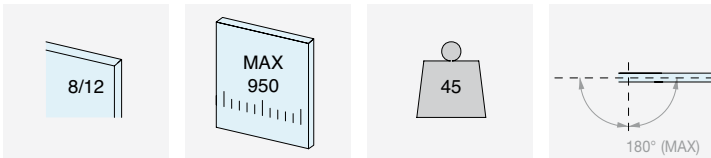
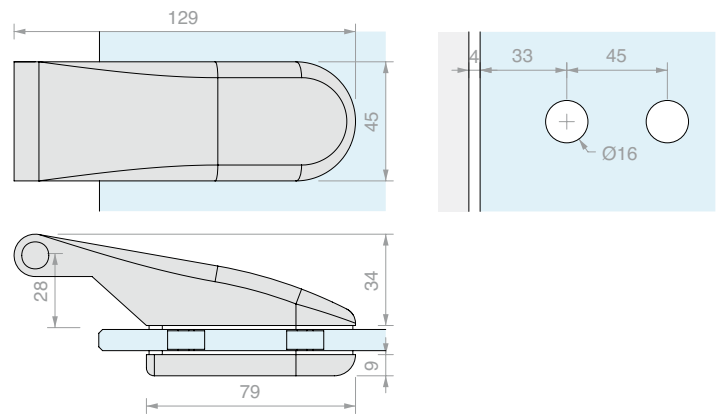


ROUNDED HINGE FOR DOOR JAMBS TO BE FITTED TO PIVOT

Material: Brass

With anuba hinge cover

Finish: /1 /3



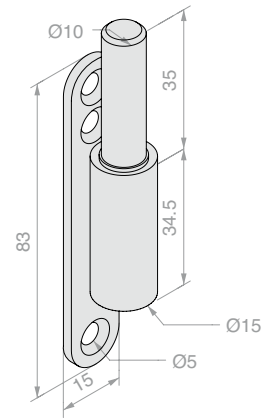
Art.	For glass	Qty
CER175	From 8 to 12 mm	1 Pc



ANUBA WALL/HINGE PIVAN04

Material: Galvanised iron

Finish: /89



Art.
PIVAN04

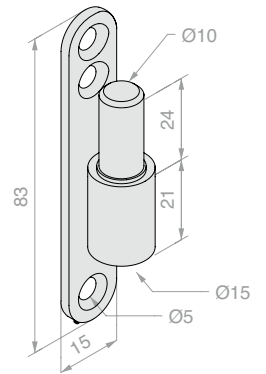
Q.ty
1 Pc



ANUBA WALL/HINGE PIVAN01

Material: AISI 304 stainless steel

Finish: /8



Art.
PIVAN01

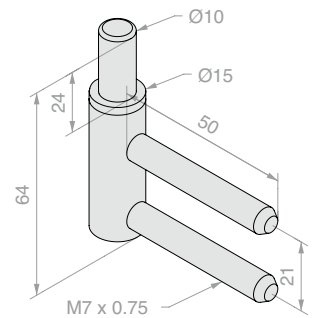
Q.ty
1 Pc



ANUBA WOOD/HINGE PIVAN05

Material: Galvanised iron

Finish: /89



Art.
PIVAN05

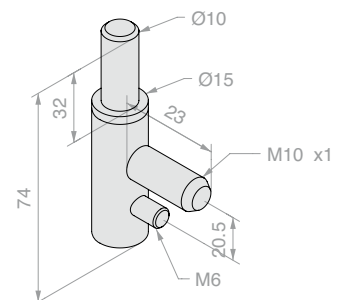
Q.ty
1 Pc



ANUBA METAL/HINGE PIVAN08

Material: Galvanised iron

Finish: /89



Art.
PIVAN08

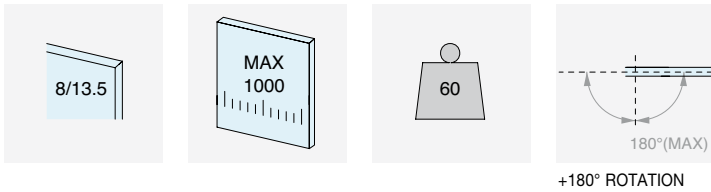
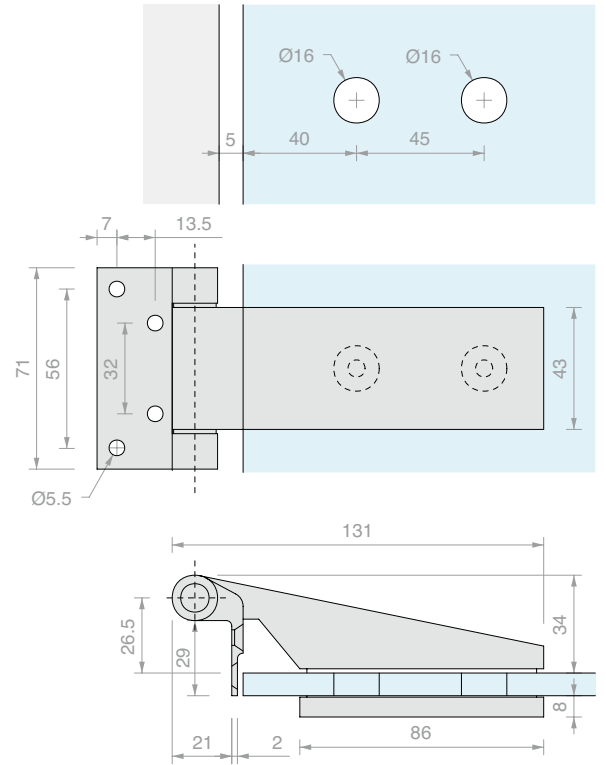
Q.ty
1 Pc



WALL/GLASS HINGE FOR SQUARE DOOR JAMBS

Material: Aluminium

Finish: /6 /88 /97



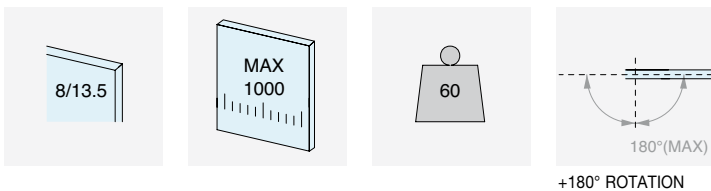
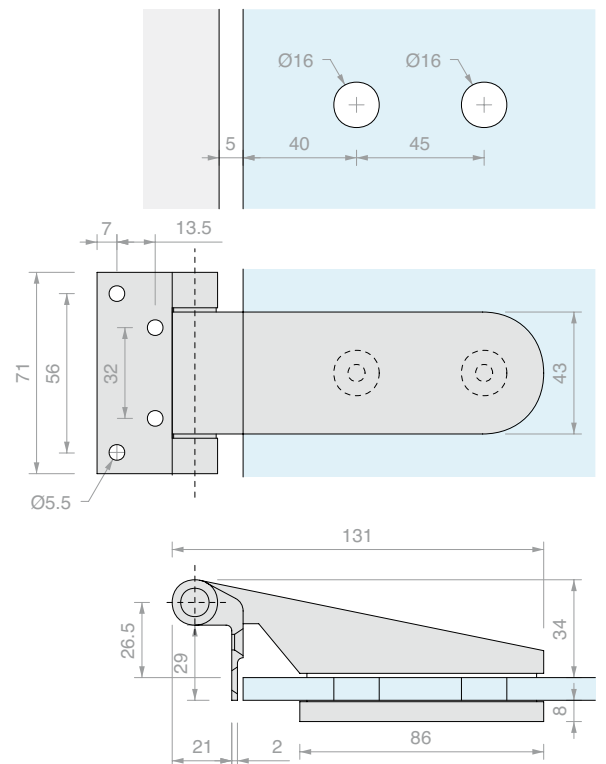
Art.	For glass	Qty
CER4ALSQ	From 8 to 13.5 mm	1 Pc



WALL/GLASS HINGE FOR ROUNDED DOOR JAMBS

Material: Aluminium

Finish: /6 /88 /97



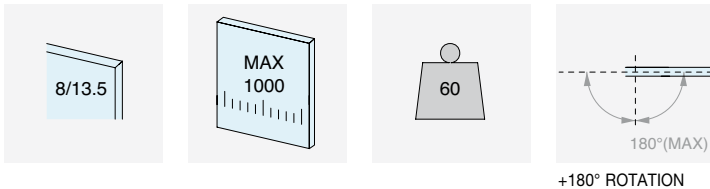
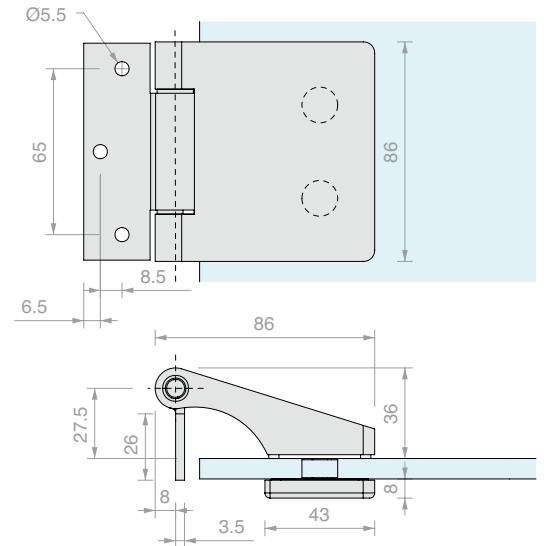
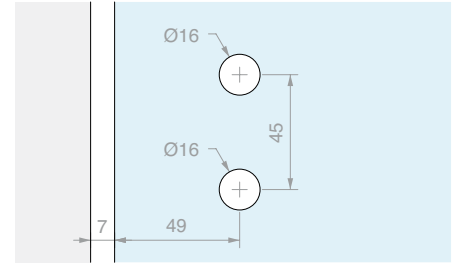
Art.	For glass	Qty
CER4AL	From 8 to 13.5 mm	1 Pc



WALL/GLASS HINGE FOR SQUARE DOOR JAMBS

Material: Aluminium

Finish: /6 /88 /97



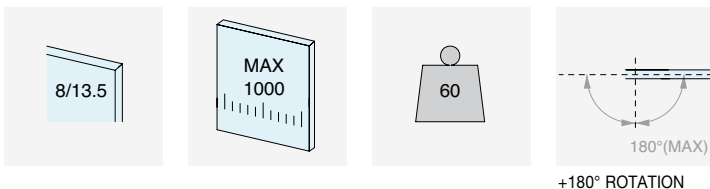
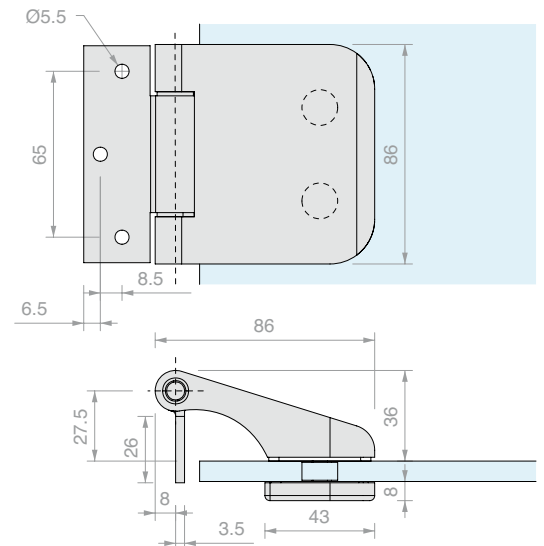
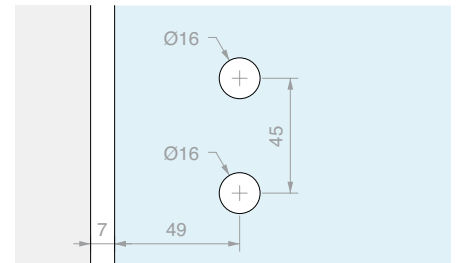
Art.	For glass	Qty
CER148ALSQ	From 8 to 13.5 mm	1 Pc



WALL/GLASS HINGE FOR ROUNDED DOOR JAMBS

Material: Aluminium

Finish: /6 /88 /97



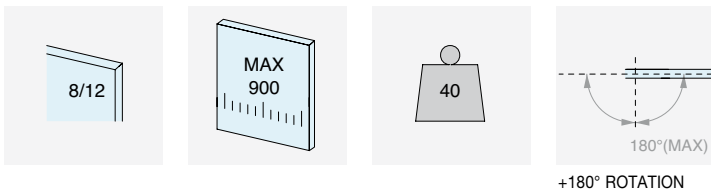
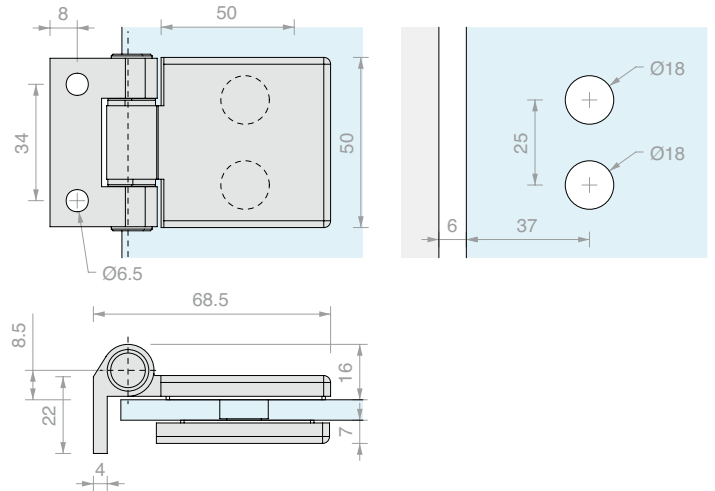
Art.	For glass	Qty
CER148AL	From 8 to 13.5 mm	1 Pc



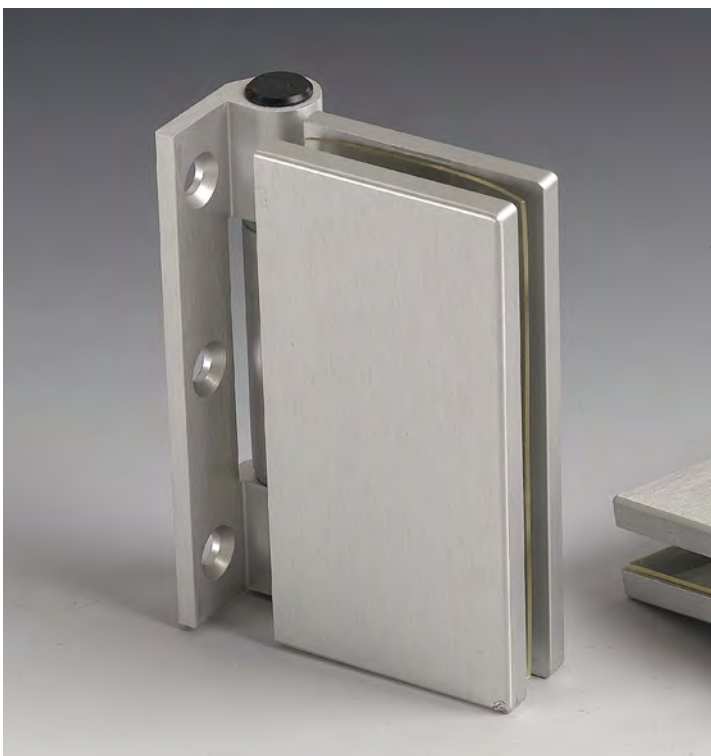
WALL/GLASS HINGE FOR NARROW SQUARE DOOR JAMBS

Material: Aluminium

Finish: /97 /R2



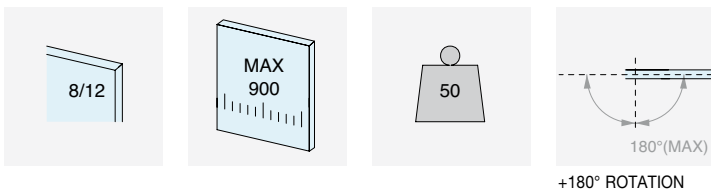
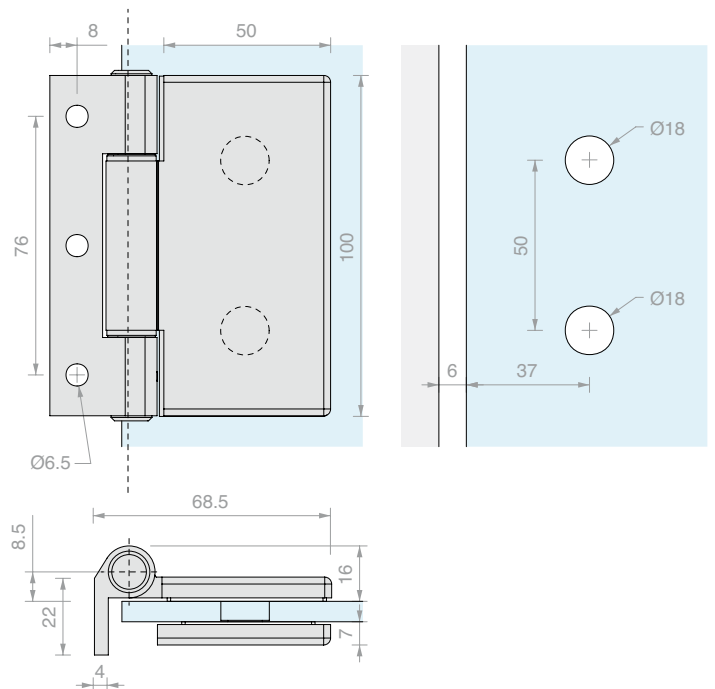
Art.	For glass	Qty
FA50	From 8 to 12 mm	1 Pc



WALL/GLASS HINGE FOR NARROW RECTANGULAR DOOR JAMBS

Material: Aluminium

Finish: /97 /R2



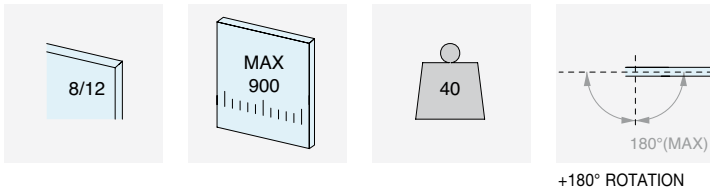
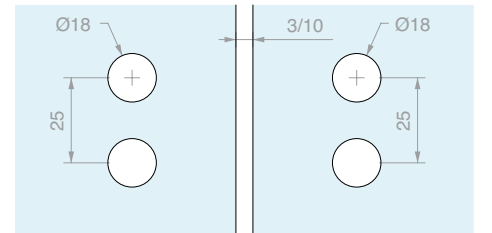
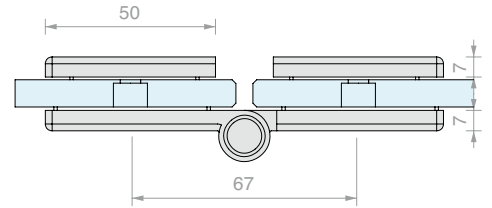
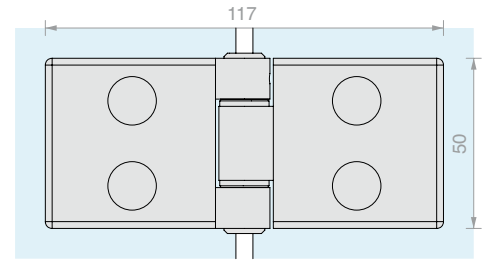
Art.	For glass	Qty
FA100	From 8 to 12 mm	1 Pc



GLASS/GLASS HINGE FA580

Material: Aluminium

Finish: /97 /R2



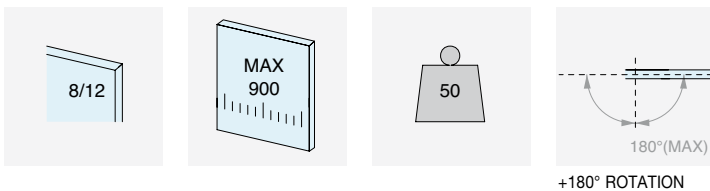
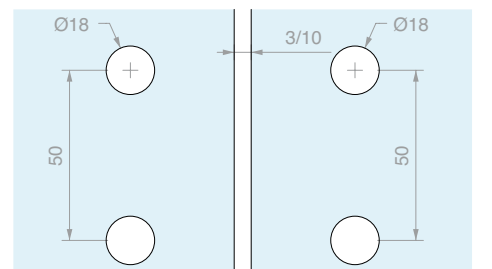
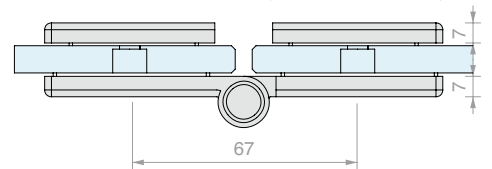
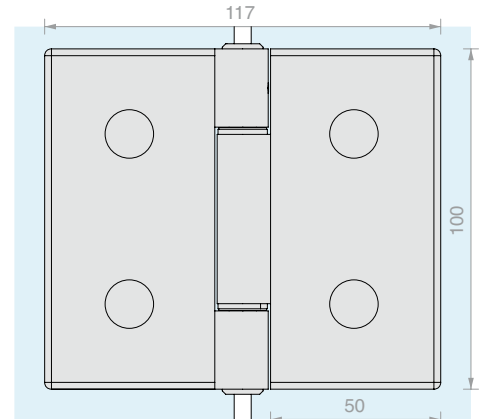
Art.	For glass	Qty
FA580	From 8 to 12 mm	1 Pc



GLASS/GLASS HINGE FA180

Material: Aluminium

Finish: /97 /R2



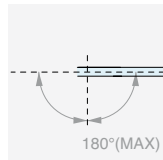
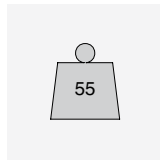
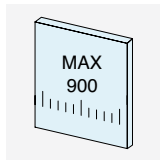
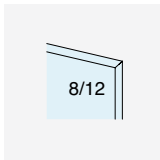
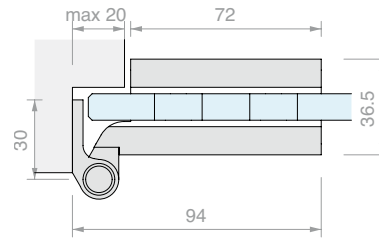
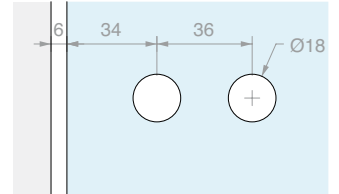
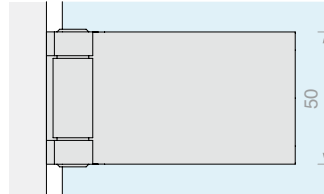
Art.	For glass	Qty
FA180	From 8 to 12 mm	1 Pc



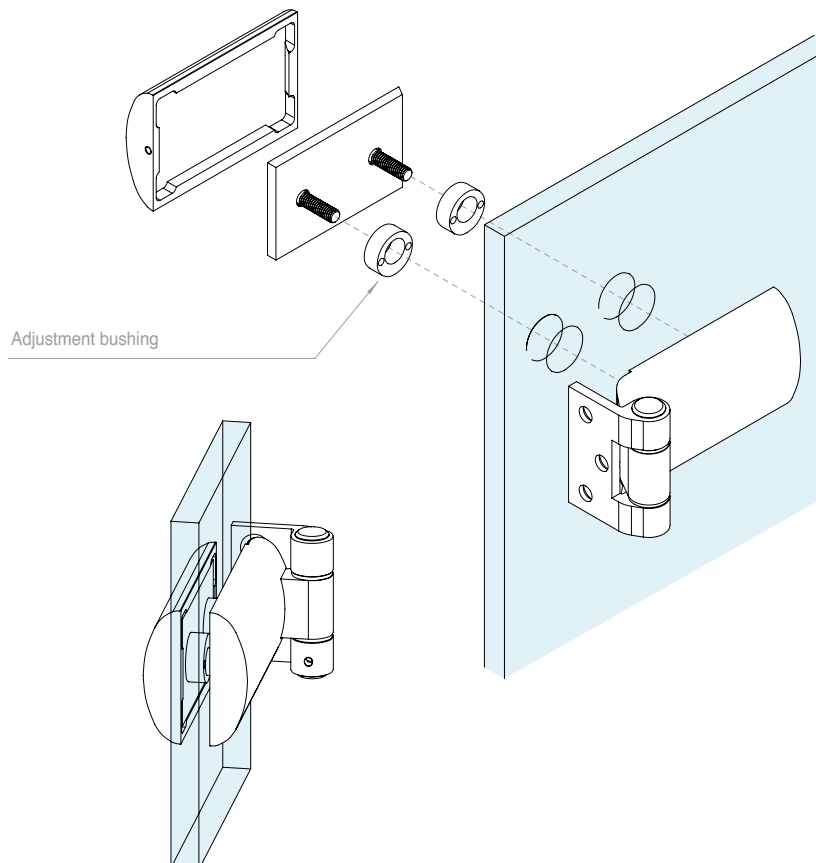
GLASS HINGES

Material: Aluminium

Finish: /97



+180° ROTATION



Adjustment bushing

Art.

CERMGLISS

For glass

From 8 to 12 mm

Qty

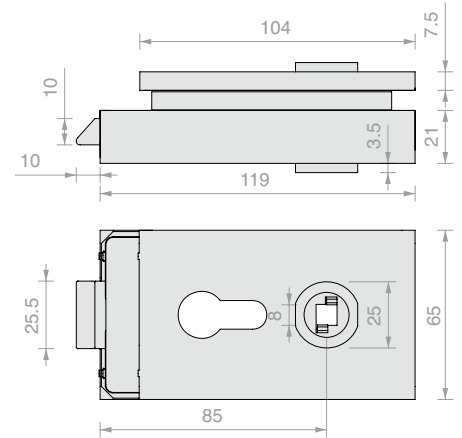
1 Pc



**SR1220 LOCK BODY
WITH HOLE FOR EUROPEAN CYLINDER**

Material: AISI 304 stainless steel

Finish: /8 /15



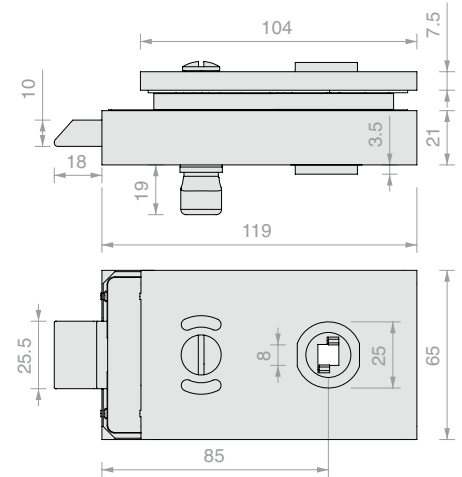
Art.	For glass	Latch	Qty
SR1220CORP	From 8 to 12 mm	Mechanical	1 Pc



**SR1220 LOCK BODY WITH DOOR KNOB,
FREE/OCCUPIED**

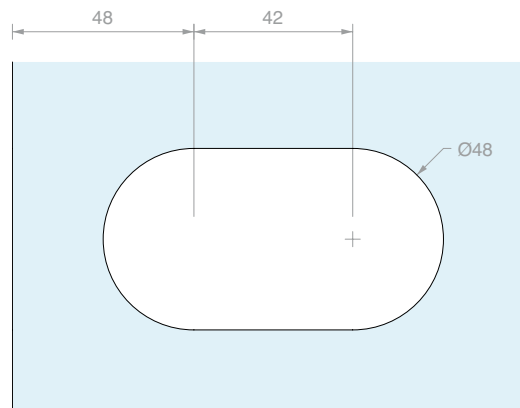
Material: AISI 304 stainless steel

Finish: /8 /15



Art.	For glass	Latch	Qty
SR119CORP	From 8 to 12 mm	Mechanical	1 Pc

LOCK NOTCH SR1220

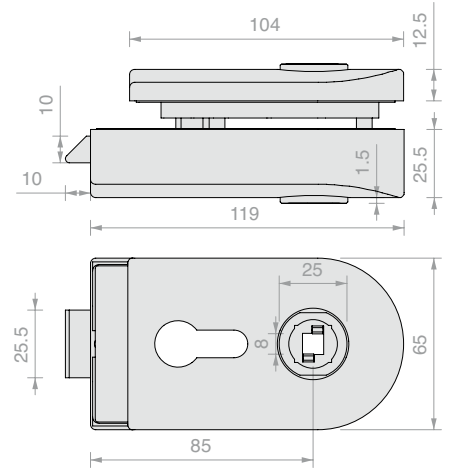




**SRS1180 LOCK BODY
WITH HOLE FOR EUROPEAN CYLINDER**

Material: AISI 304 stainless steel

Finish: /8 /15



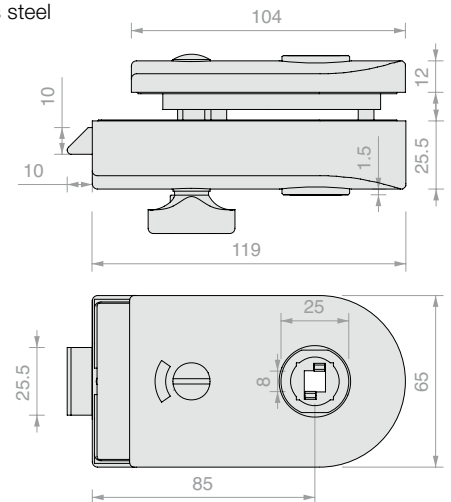
Art.	For glass	Latch	Qty
SRS1180CORP	From 8 to 12 mm	Mechanical	1 Pc



**SR118 LOCK BODY WITH DOOR KNOB AND
FREE/OCCUPIED**

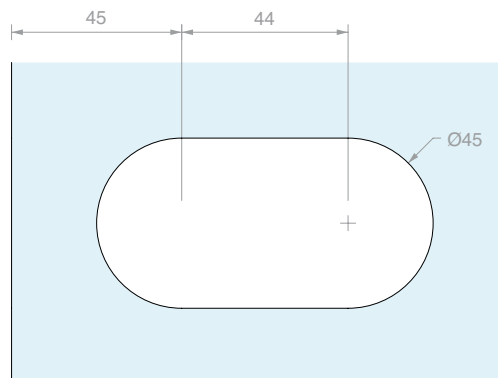
Material: AISI 304 stainless steel

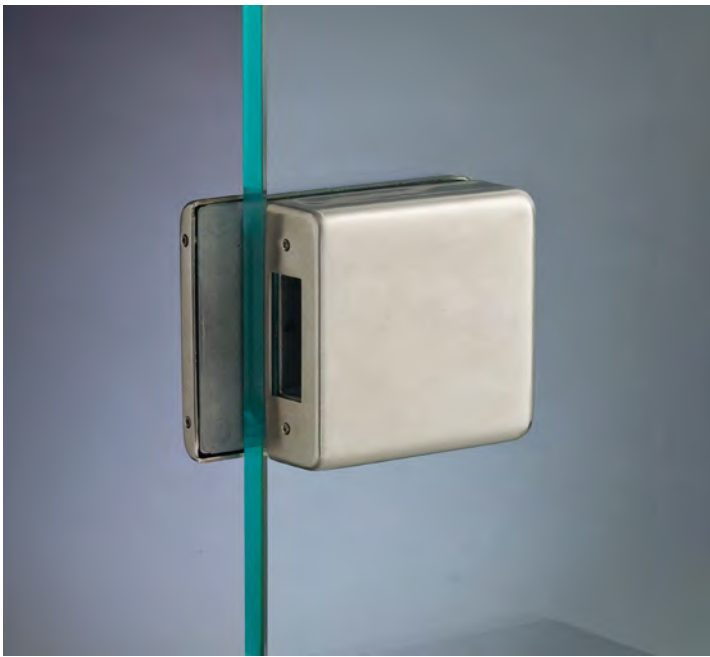
Finish: /8 /15



Art.	For glass	Latch	Qty
SR118CORP	From 8 to 12 mm	Mechanical	1 Pc

LOCK NOTCH SRS1180 / SR118

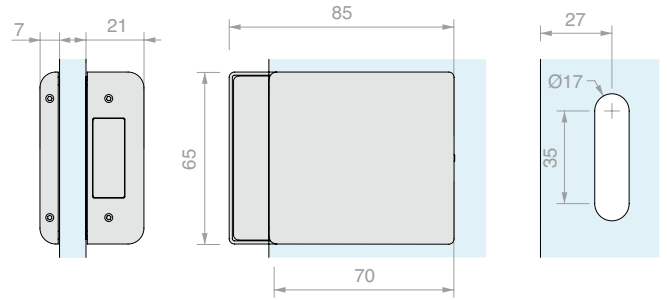




COUNTERLOCK SERIES SR1220

Material: AISI 304 stainless steel

Finish: /8 /15



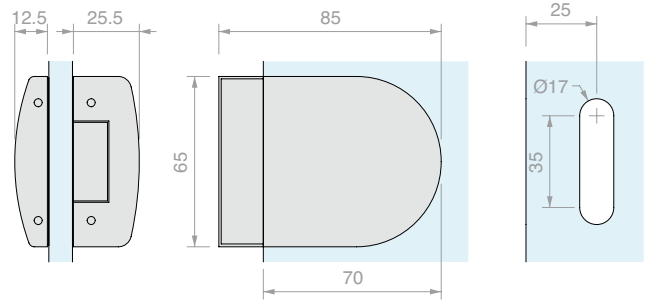
Art.	For glass	Qty
SR1224	From 8 to 12 mm	1 Pc



COUNTERLOCK SERIES SR118

Material: AISI 304 stainless steel

Finish: /8 /15



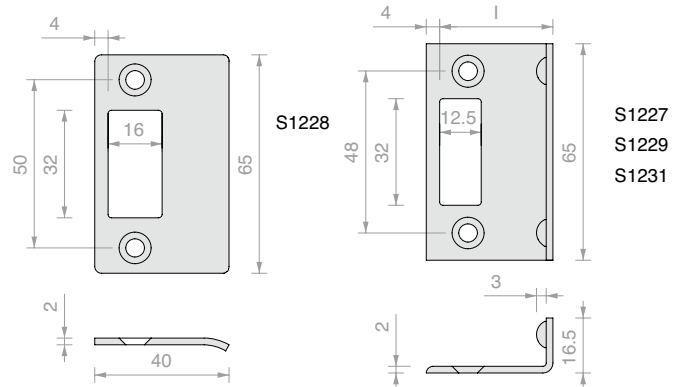
Art.	For glass	Qty
SRC118	From 8 to 12 mm	1 Pc



STRIKING PLATE

Material: Stainless steel

Compatible with: SR1220, SR119, SRS1180, SR118



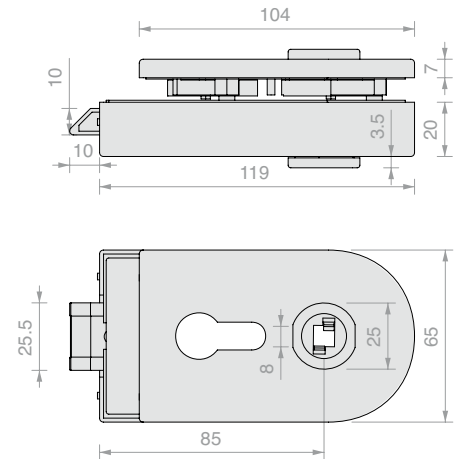
Art.	For glass	l	Qty
S1228	-	-	1 Pc
S1227	8 mm	27 mm	1 Pc
S1229	10 mm	29 mm	1 Pc
S1231	12 mm	31 mm	1 Pc



S120 LOCK BODY FOR JAMBS WITH HOLE FOR EUROPEAN CYLINDER

Material: AISI 304 stainless steel

Finish: /8 /15

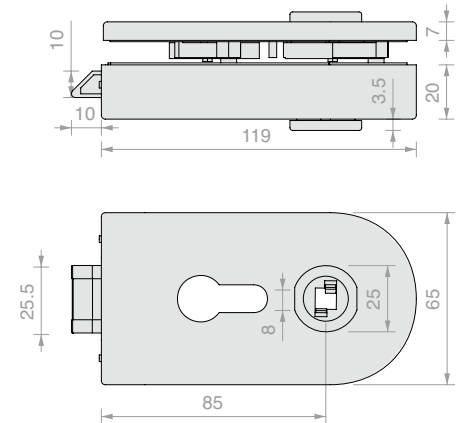


Art.	For glass	Latch	Qty
S1203CORP	From 8 to 12 mm	Mechanical	1 Pc

S120 LOCK BODY WITH HOLE FOR EUROPEAN CYLINDER

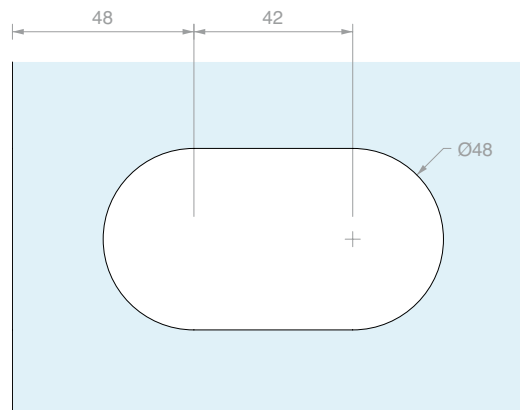
Material: AISI 304 stainless steel

Finish: /8 /15



Art.	For glass	Latch	Qty
S1201CORP	From 8 to 12 mm	Mechanical	1 Pc

LOCK NOTCH S120

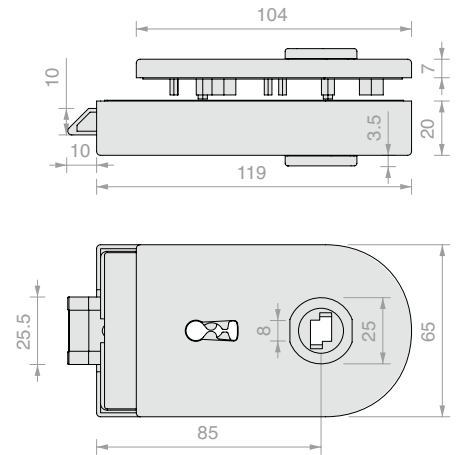




S120 FOR LOCK BODY FOR JAMBS WITH PATENTED KEY

Material: AISI 304 stainless steel

Finish: /8 /15

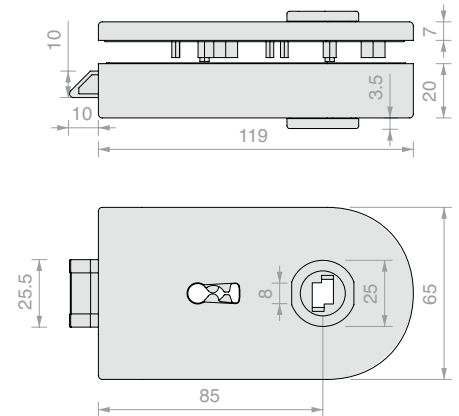


Art.	For glass	Latch	Qty
S1207KCORP	From 8 to 12 mm	Mechanical	1 Pc

S120 LOCK BODY WITH PATENT KEY

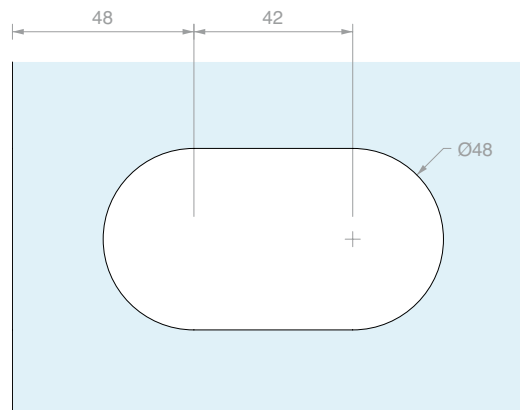
Material: AISI 304 stainless steel

Finish: /8 /15



Art.	For glass	Latch	Qty
S1205KCORP	From 8 to 12 mm	Mechanical	1 Pc

LOCK NOTCH S120

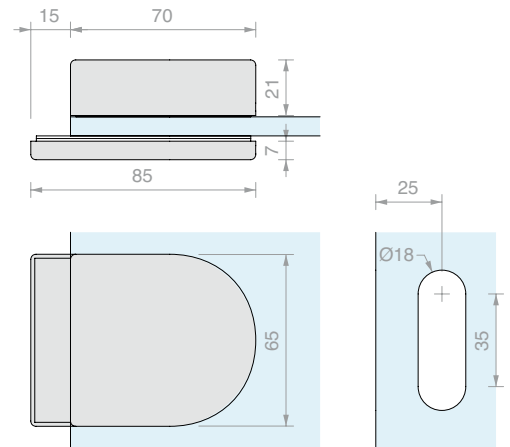




COUNTERLOCK WITH STRIKING PLATE

Material: AISI 304 stainless steel

Finish: /8 /15



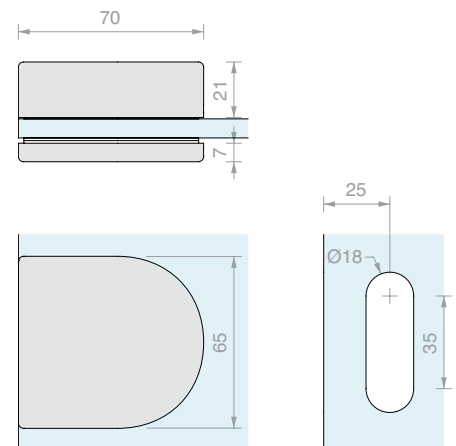
Art.	For glass	Qty
S1211	From 8 to 12 mm	1 Pc



COUNTERLOCK WITHOUT STRIKING PLATE

Material: AISI 304 stainless steel

Finish: /8 /15



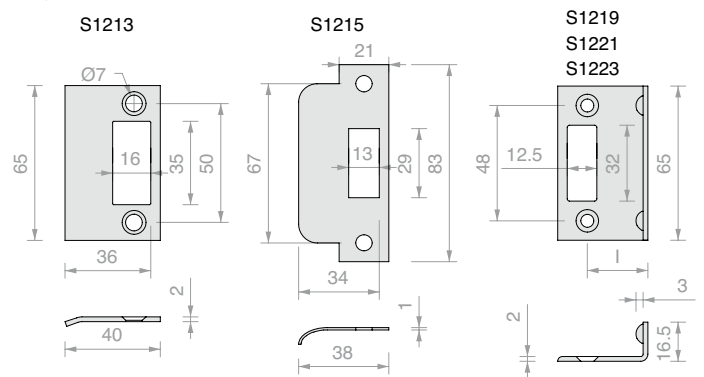
Art.	For glass	Qty
S1209	From 8 to 12 mm	1 Pc



STRIKING PLATE

Material: Stainless steel

Compatible with series S120



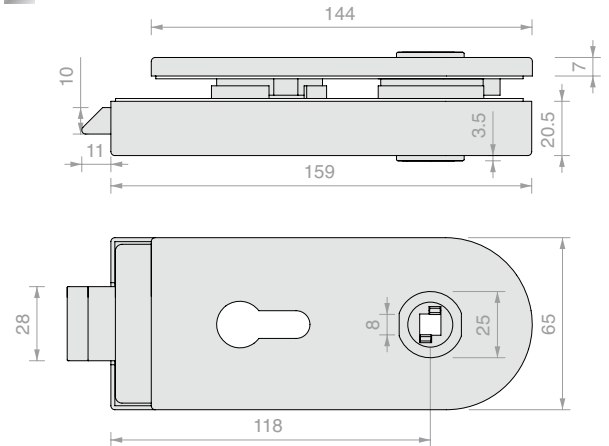
Art.	For glass	l	Qty
S1213	-	-	1 Pc
S1215	-	-	1 Pc
S1219	8 mm	34 mm	1 Pc
S1221	10 mm	36 mm	1 Pc
S1223	12 mm	38 mm	1 Pc



S1600 LOCK BODY FOR JAMBS WITH HOLE FOR EUROPEAN CYLINDER

Material: AISI 304 stainless steel

Finish: /8 /15



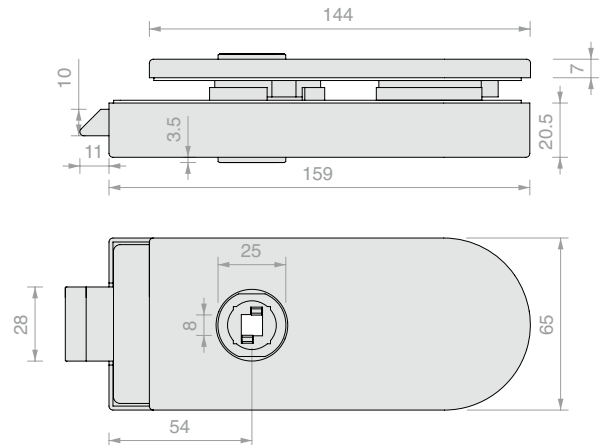
Art.	For glass	Latch	Qty
STL02CORP	From 10 to 12 mm	Mechanical	1 Pc



S1600 LOCK BODY WITHOUT HOLE

Material: AISI 304 stainless steel

Finish: /8 /15



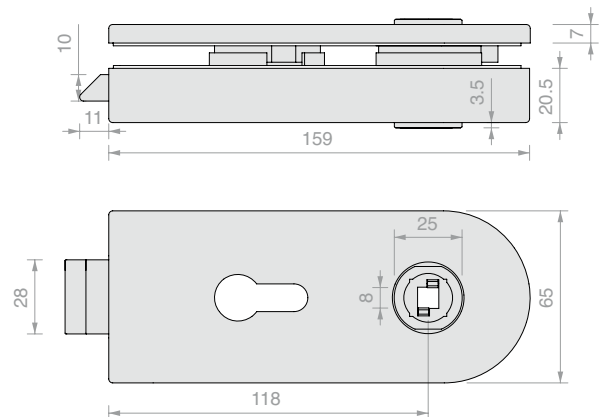
Art.	For glass	Latch	Qty
STL06CORP	From 10 to 12 mm	Mechanical	1 Pc



S1600 LOCK BODY WITH HOLE FOR EUROPEAN CYLINDER

Material: AISI 304 stainless steel

Finish: /8 /15



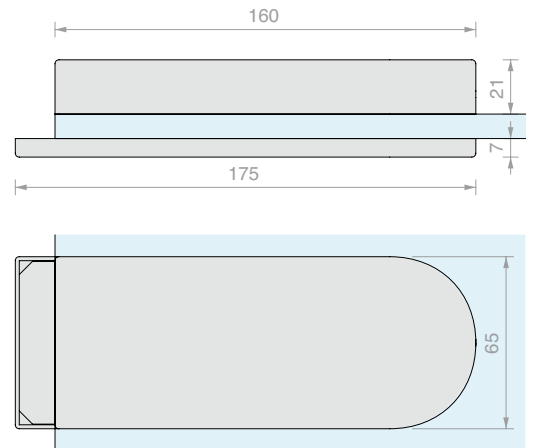
Art.	For glass	Latch	Qty
STL04CORP	From 10 to 12 mm	Mechanical	1 Pc



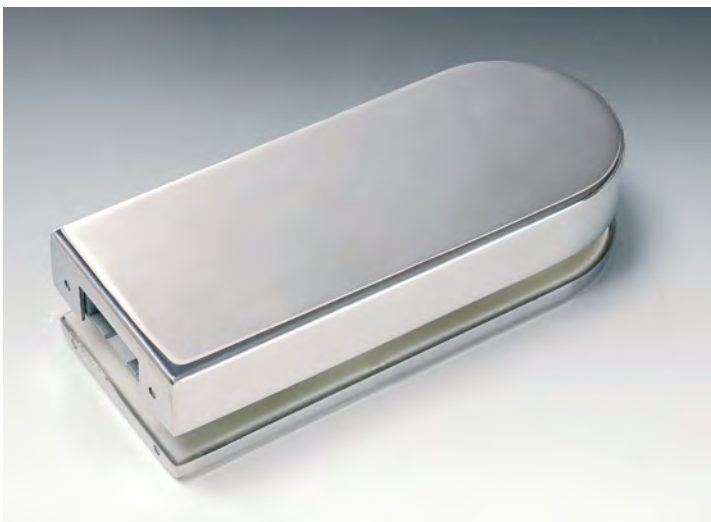
LOCK CASE WITH WITH STOP

Material: AISI 304 stainless steel

Finish: /8 /15



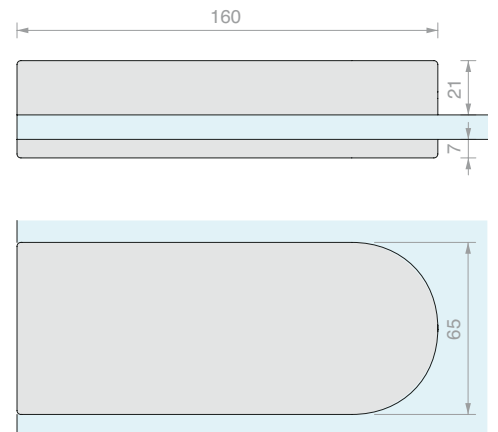
Art.	For glass	Qty
STL05	From 10 to 12 mm	1 Pc



LOCK CASE WITHOUT STRIKE JAMB

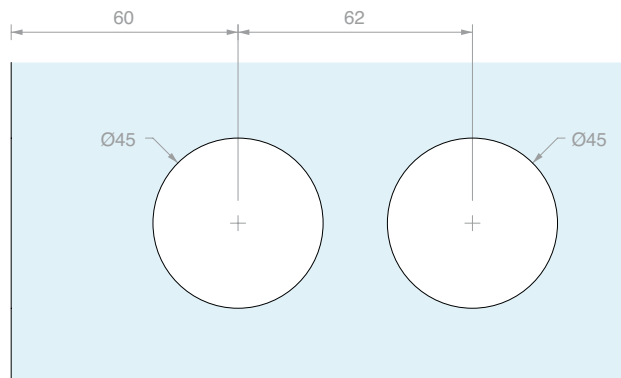
Material: AISI 304 stainless steel

Finish: /8 /15



Art.	For glass	Qty
STL07	From 10 to 12 mm	1 Pc

STL LOCK AND COUNTERLOCK NOTCH

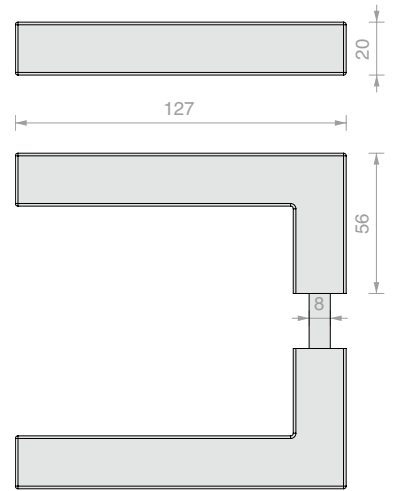




SQUARE HANDLE

Material: AISI 304 stainless steel

Finish: /8 /15

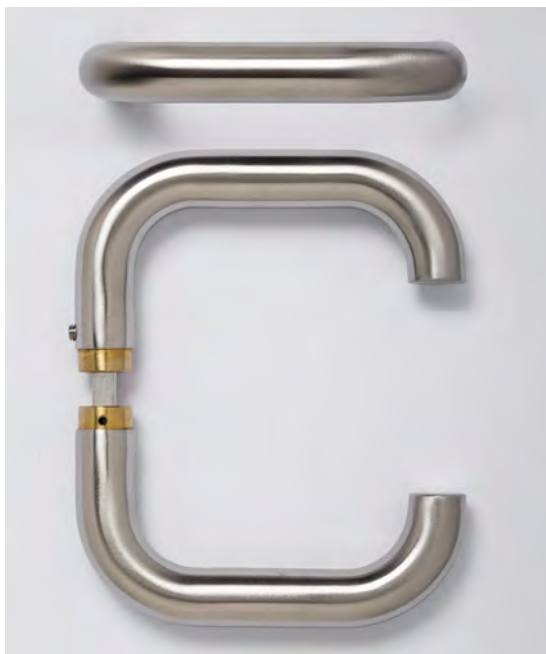


Art.

SR119M

Q.ty

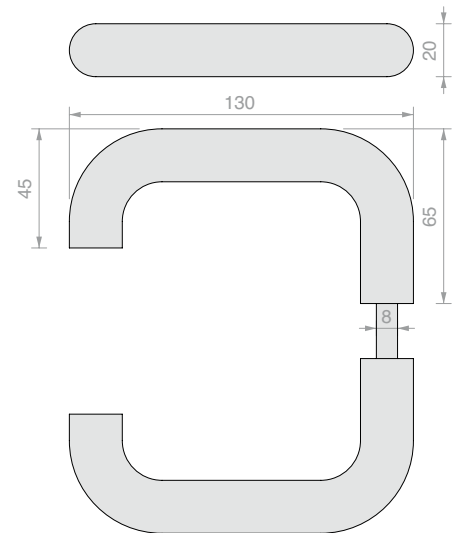
1 Pc



CURVED ROUND HANDLE

Material: AISI 304 stainless steel

Finish: /8 /15

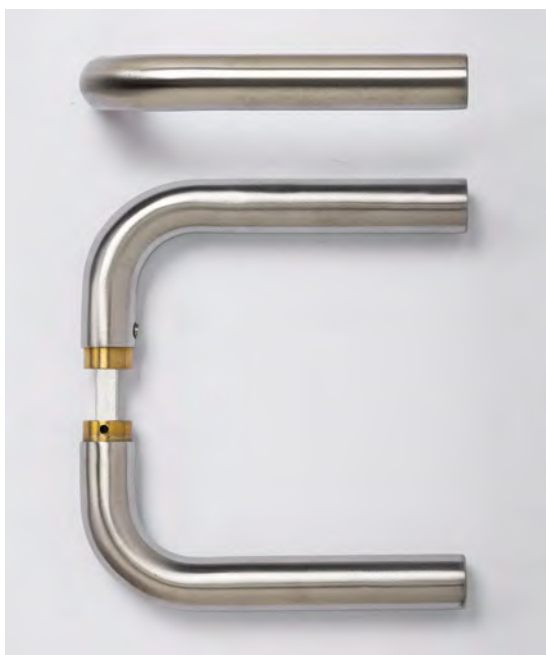


Art.

M107

Q.ty

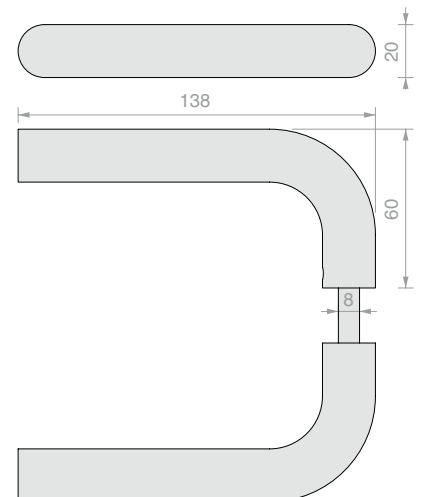
1 Pc



ROUND HANDLE

Material: AISI 304 stainless steel

Finish: /8 /15



Art.

M135

Q.ty

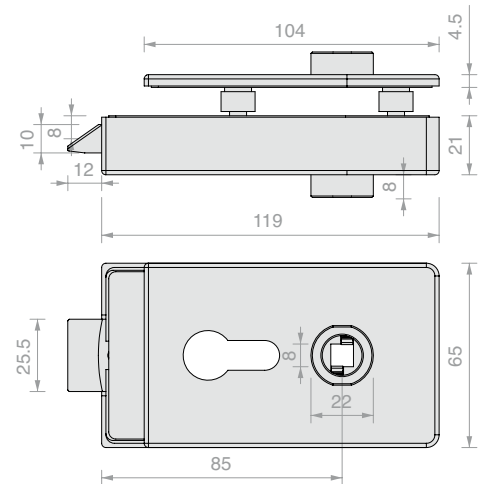
1 Pc



SQUARE MECHANICAL LOCK BODY WITH HOLE FOR EUROPEAN CYLINDER

Material: Aluminium

Finish: /6 /88 /97



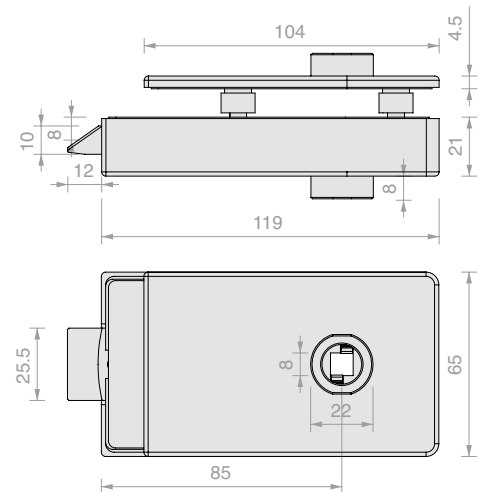
Art.	For glass	Latch	Qty
AP2203BORH	From 8 to 13.5 mm	Mechanical	1 Pc



SQUARE MECHANICAL LOCK BODY WITHOUT HOLE FOR CYLINDER

Material: Aluminium

Finish: /6 /88 /97



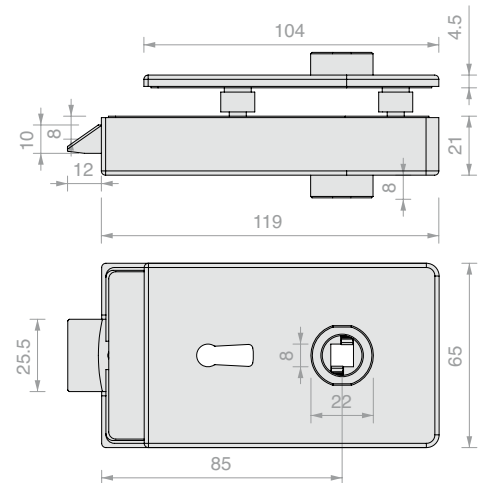
Art.	For glass	Latch	Qty
AP2203BOST	From 8 to 13.5 mm	Mechanical	1 Pc



SQUARE MECHANICAL LOCK BODY WITH PATENT KEY

Material: Aluminium

Finish: /6 /88 /97



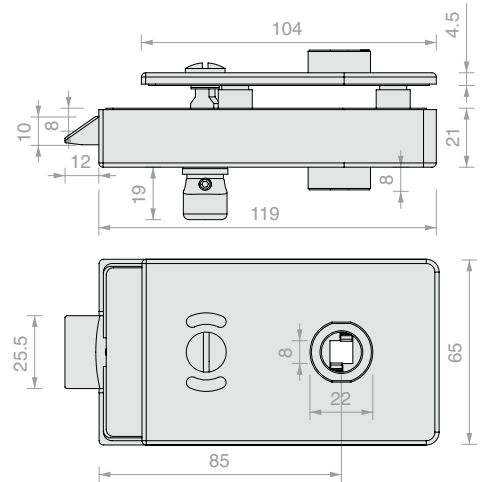
Art.	For glass	Latch	Qty
AP2203BOPA	From 8 to 13.5 mm	Mechanical	1 Pc



SQUARE MECHANICAL LOCK BODY WITH DOOR KNOB AND FREE/OCCUPIED

Material: Aluminium

Finish: /6 /88 /97



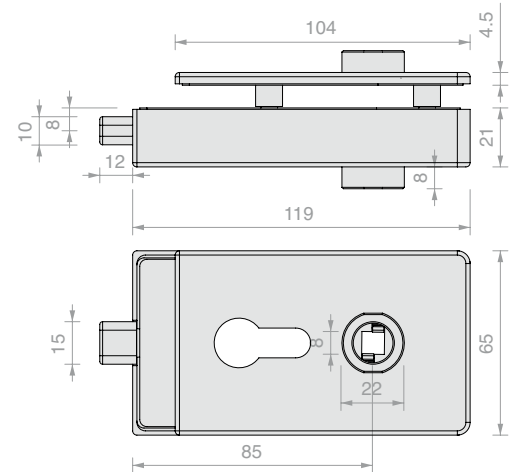
Art.	For glass	Latch	Qty
AP2203BOKS	From 8 to 13.5 mm	Mechanical	1 Pc



SQUARE MAGNETIC LOCK BODY WITH HOLE FOR EUROPEAN CYLINDER

Material: Aluminium

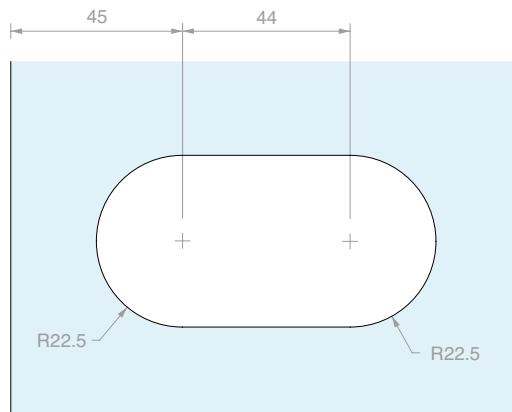
Finish: /6 /88 /97



Art.	For glass	Latch	Qty
AP2203BOMG	From 8 to 13.5 mm	Magnetic	1 Pc



GLASS NOTCH FOR SERIES APRO2203

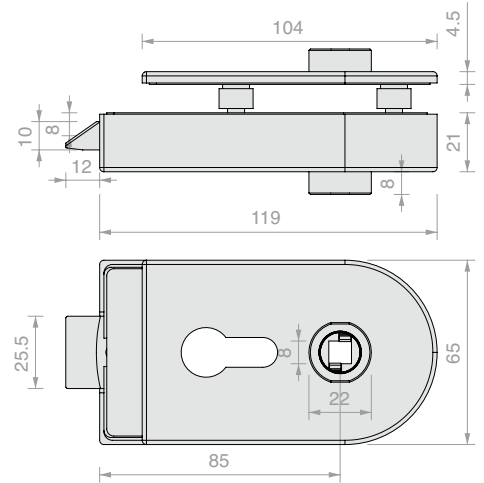




ROUNDED MECHANICAL LOCK BODY WITH HOLE FOR EUROPEAN CYLINDER

Material: Aluminium

Finish: /6 /88 /97



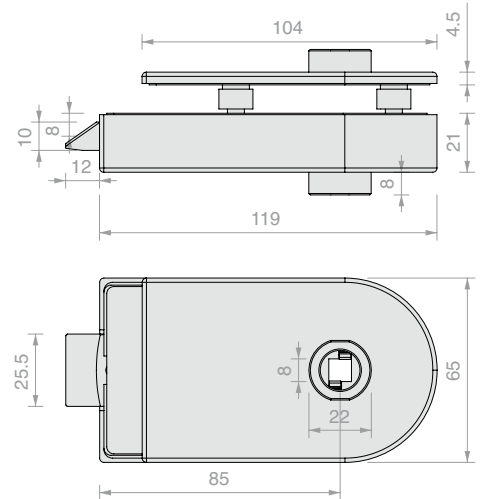
Art.	For glass	Latch	Qty
AP1203BORH	From 8 to 13.5 mm	Mechanical	1 Pc



ROUNDED MECHANICAL LOCK BODY WITHOUT HOLE FOR CYLINDER

Material: Aluminium

Finish: /6 /88 /97



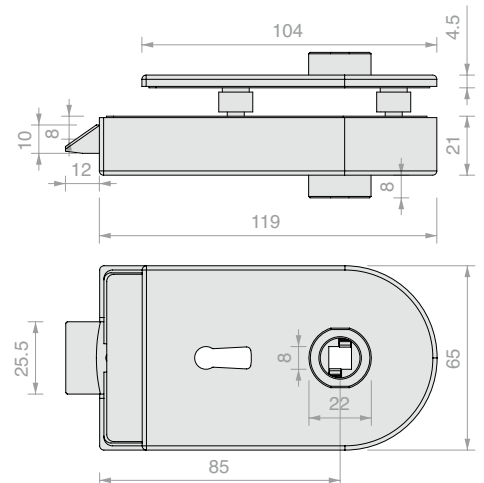
Art.	For glass	Latch	Qty
AP1203BOST	From 8 to 13.5 mm	Mechanical	1 Pc



ROUNDED MECHANICAL LOCK BODY WITH PATENT KEY

Material: Aluminium

Finish: /6 /88 /97

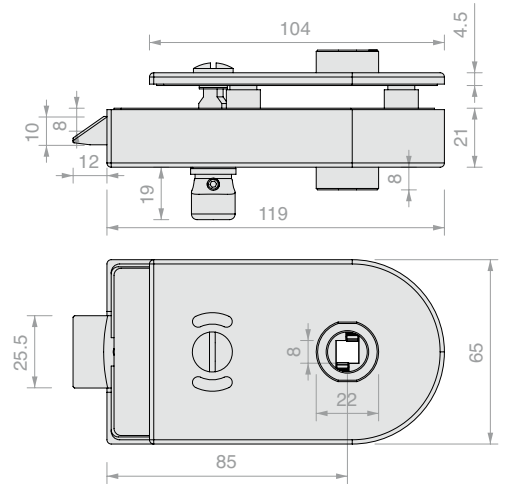


Art.	For glass	Latch	Qty
AP1203BOPA	From 8 to 13.5 mm	Mechanical	1 Pc



ROUNDED MECHANICAL LOCK BODY WITH DOOR KNOB AND FREE/OCCUPIED

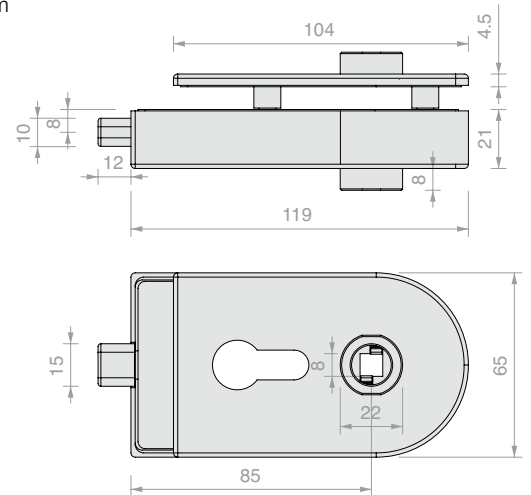
Material: Aluminium
 Finish: /6 /88 /97



Art.	For glass	Latch	Qty
AP1203BOKS	From 8 to 13.5 mm	Mechanical	1 Pc

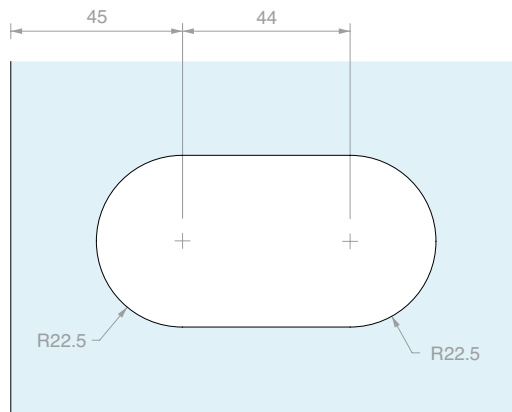
ROUNDED MAGNETIC LOCK BODY WITH HOLE FOR EUROPEAN CYLINDER

Material: Aluminium
 Finish: /6 /88 /97



Art.	For glass	Latch	Qty
AP1203BOMG	From 8 to 13.5 mm	Magnetic	1 Pc

GLASS NOTCH FOR SERIES APRO1203

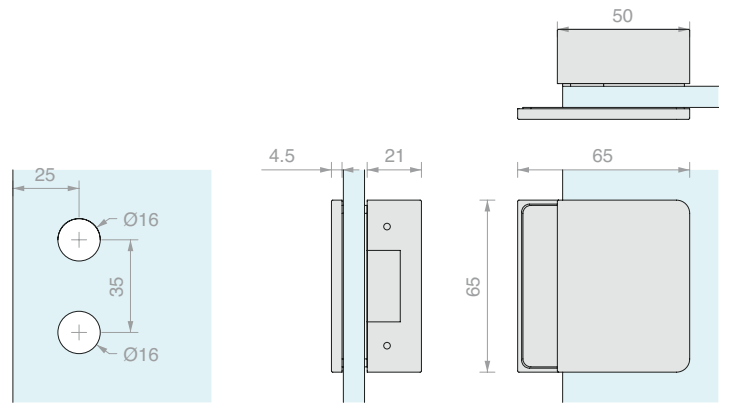




COUNTERLOCK SERIES APRO2203

Material: Aluminium

Finish: /6 /88 /97



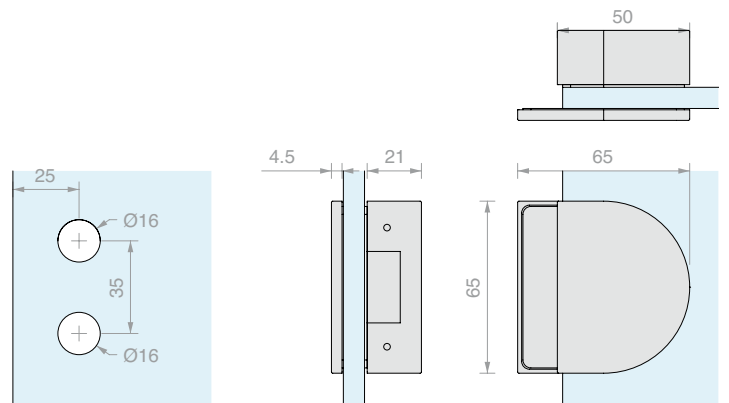
Art.	For glass	Striking plate	Qty
APROIN2203H	From 8 to 12 mm	Mechanical	1 Pc
APROIN2203HM	From 8 to 12 mm	Magnetic	1 Pc



LOCK CASE SERIES APRO1203

Material: Aluminium

Finish: /6 /88 /97

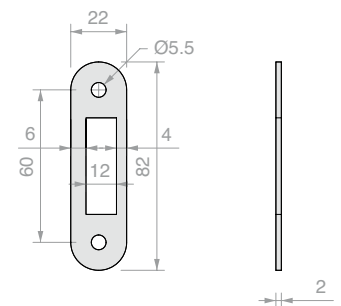


Art.	For glass	Striking plate	Qty
APROIN1203H	From 8 to 12 mm	Mechanical	1 Pc
APROIN1203HM	From 8 to 12 mm	Magnetic	1 Pc



STRIKING PLATE FOR MECHANICAL LATCH

Material: Steel

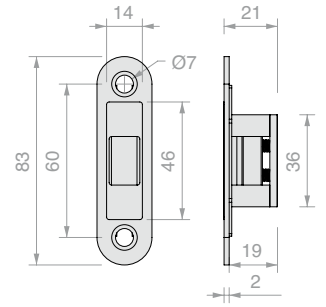


Art.	Qty
SERH17	1 Pc



STRIKING PLATE FOR MAGNETIC LATCH

Material: Steel



Art.	Qty
APROIN17M	1 Pc

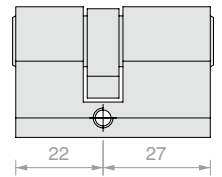


EUROPEAN CYLINDER KEY/KEY

Material: Brass

European cylinder with 3 keys

Finish: /95



Art.	Key	Qty
CISA2227U	Single	1 Pc
CISA2227D	Different	1 Pc

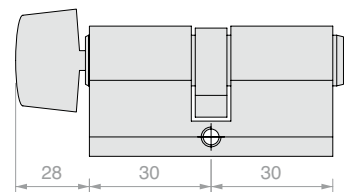


KEY/ROTATING DOOR KNOB CYLINDER

Material: Brass

European cylinder with 3 keys

Finish: /1 /3 /45



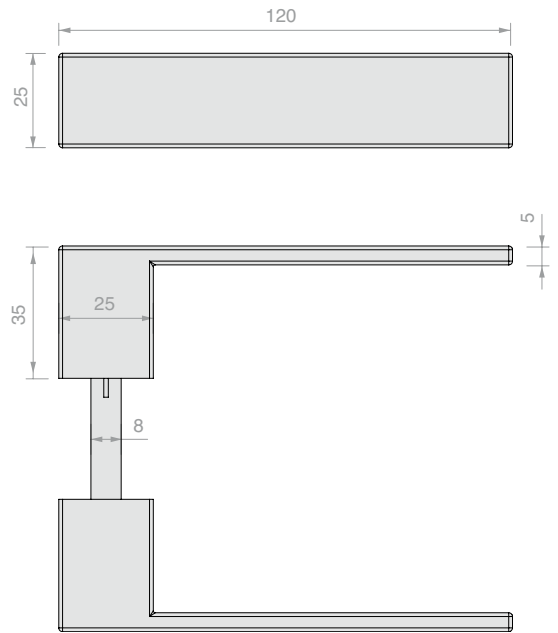
Art.	Key	Qty
S1217U	Single	1 Pc



PAIR OF SQUARE CLOSED HANDLES

Material: Aluminium

Finish: /6 /88 /97



Art.

APHANDSC

Qty

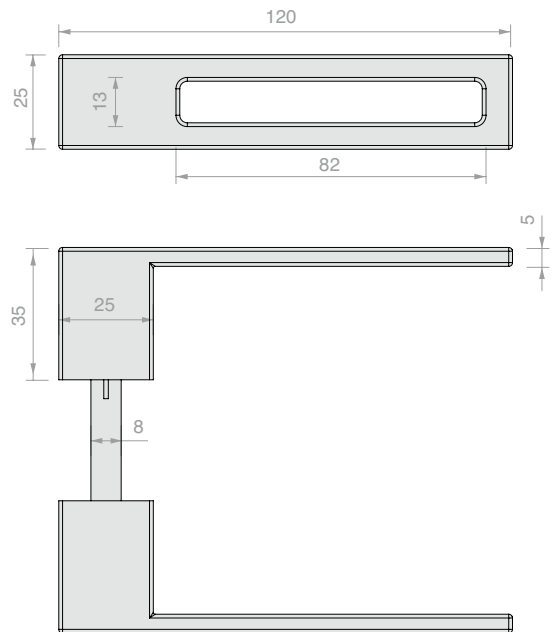
1 Pc



PAIR OF SQUARE OPEN HANDLES

Material: Aluminium

Finish: /6 /88 /97



Art.

APHANDSH

Qty

1 Pc



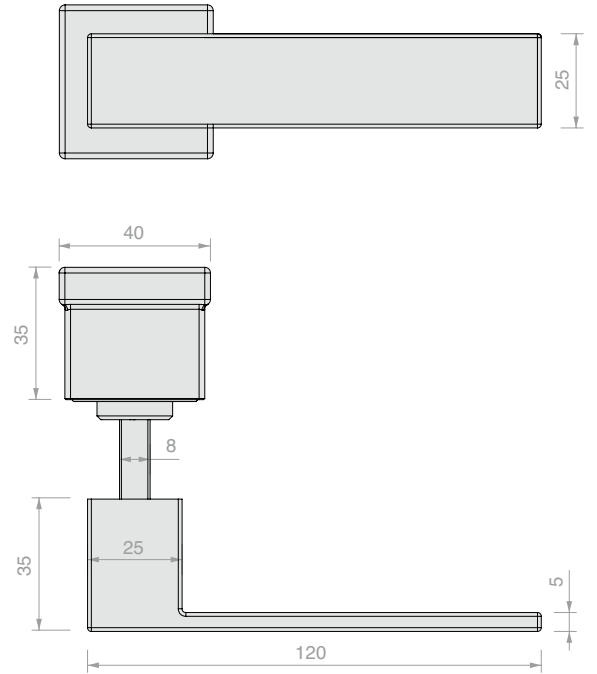
PAIR OF SQUARE CLOSED HANDLES WITH FIXED DOOR KNOB

Material: Aluminium

The door knob side acts only

as a grip

Finish: /6 /88 /97



Art.

APHAFKSC

Qty

1 Pc



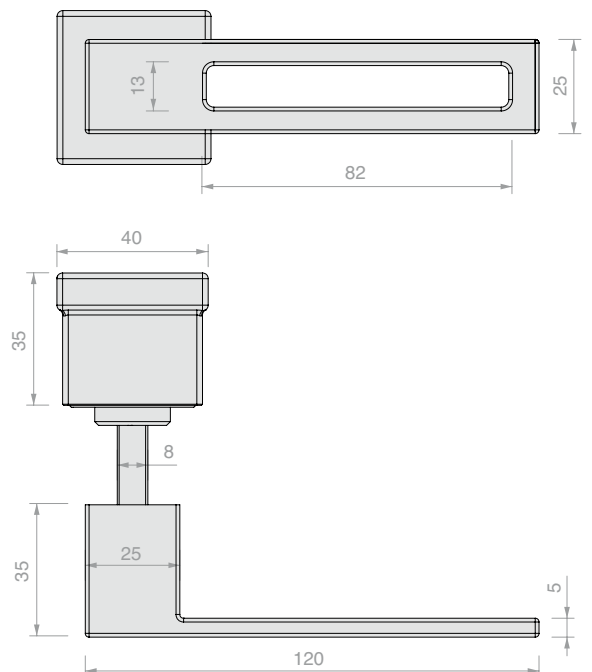
PAIR OF SQUARE OPEN HANDLES WITH FIXED DOOR KNOBS

Material: Aluminium

The door knob side acts only

as a grip

Finish: /6 /88 /97



Art.

APHAFKSH

Qty

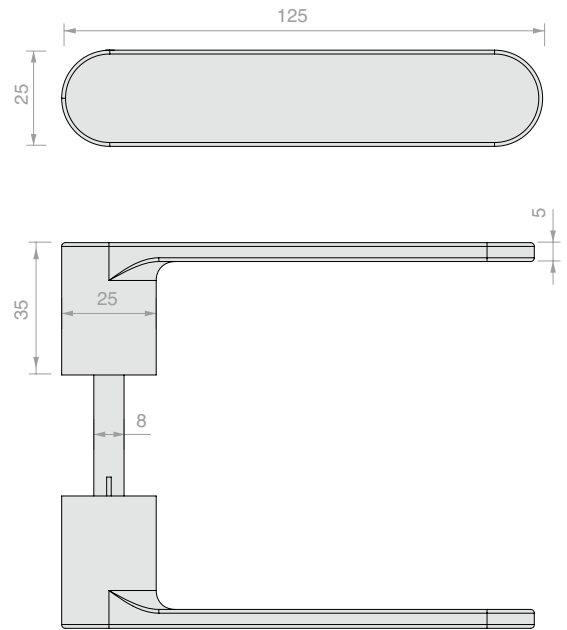
1 Pc



PAIR OF ROUNDED CLOSED HANDLES

Material: Aluminium

Finish: /6 /88 /97



Art.

APHANDRC

Qty

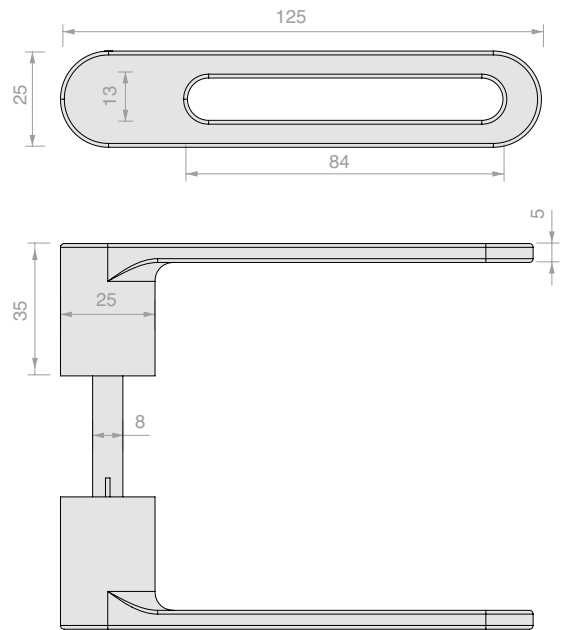
1 Pc



PAIR OF ROUNDED OPEN HANDLES

Material: Aluminium

Finish: /6 /88 /97



Art.

APHANDRH

Qty

1 Pc

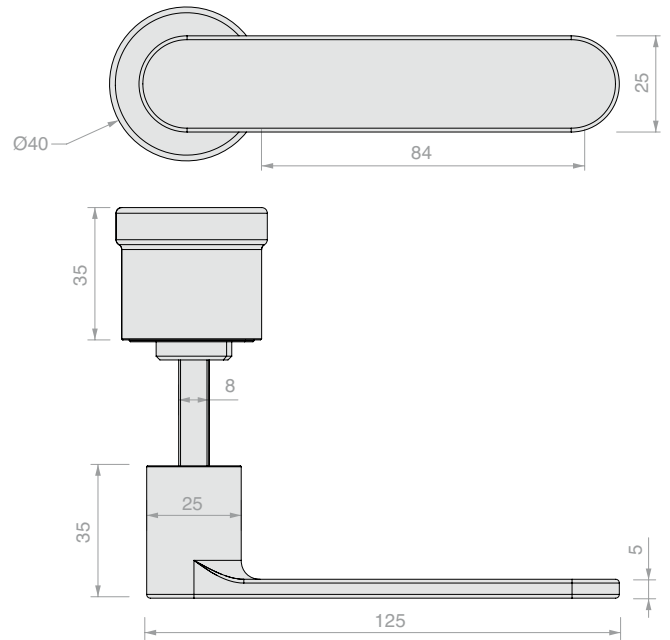


PAIR OF ROUNDED CLOSED HANDLES WITH FIXED DOOR KNOB

Material: Aluminium

The door knob side acts only as a grip

Finish: /6 /88 /97



Art.

APHAFKRC

Qty

1 Pc

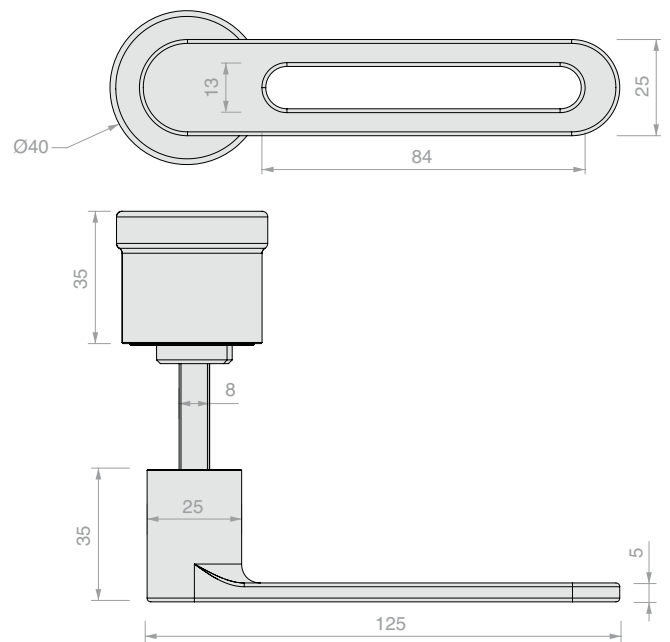


PAIR OF ROUNDED OPEN HANDLES WITH FIXED DOOR KNOB

Material: Aluminium

The door knob side acts only as a grip

Finish: /6 /88 /97



Art.

APHAFKRH

Qty

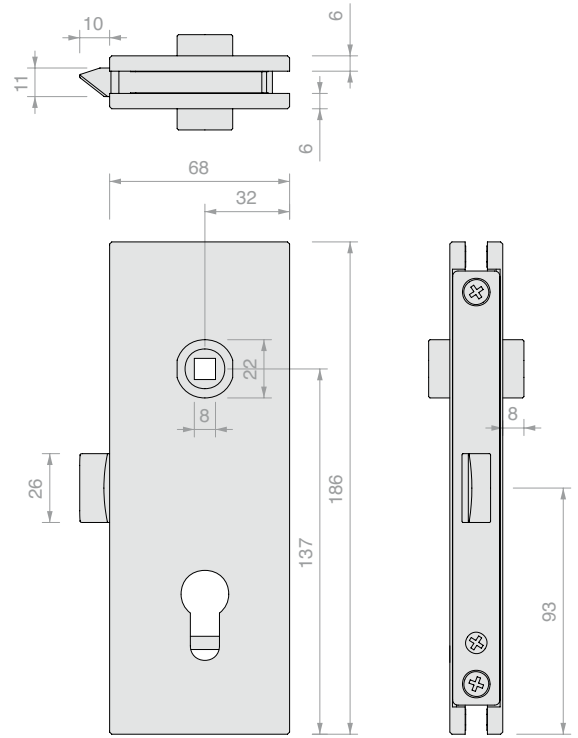
1 Pc



**APRO SERIES 40 CENTRAL LOCK BODY,
WITH HOLE FOR EUROPEAN CYLINDER**

Material: Aluminium

Finish: /88 /97 /R2



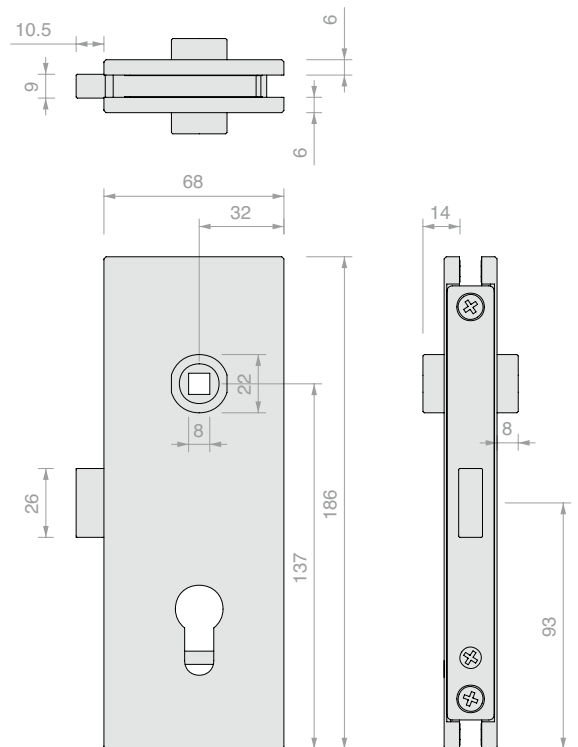
Art.	For glass	Latch	Qty
APRO4403BORH	From 8 to 13.5 mm	Mechanical	1 Pc



**APRO SERIES 40 CENTRAL LOCK BODY,
WITH HOLE FOR EUROPEAN CYLINDER**

Material: Aluminium

Finish: /88 /97 /R2



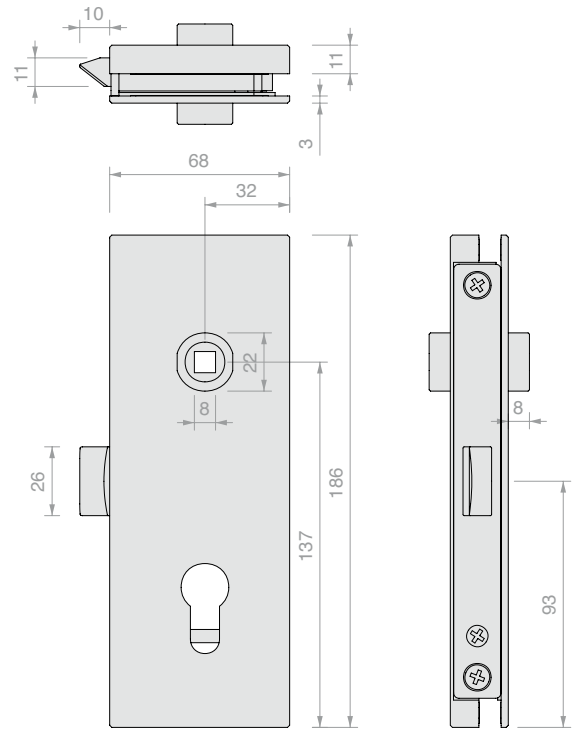
Art.	For glass	Latch	Qty
APRO4406BORH	From 8 to 13.5 mm	Magnetic	1 Pc



**APRO SERIES 40 LEFT LOCK BODY,
WITH HOLE FOR EUROPEAN CYLINDER**

Material: Aluminium

Finish: /88 /97 /R2



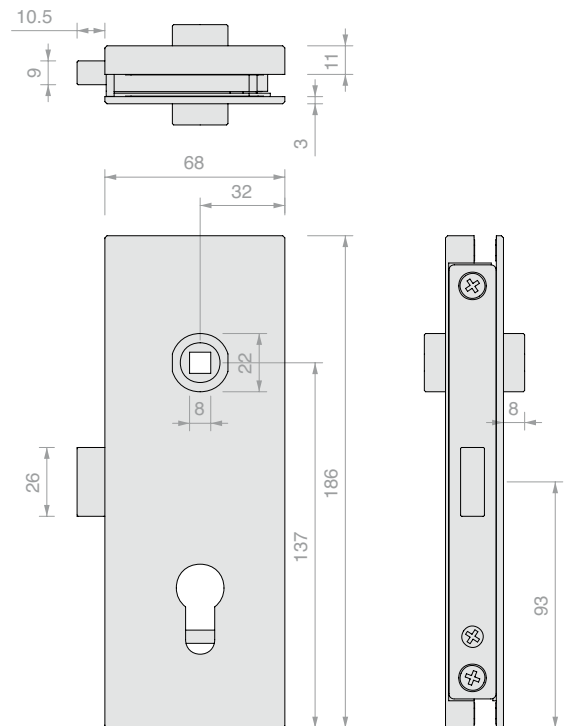
Art.	For glass	Latch	Qty
APRO4503BORH	From 8 to 13.5 mm	Mechanical	1 Pc



**APRO SERIES 40 LEFT LOCK BODY,
WITH HOLE FOR EUROPEAN CYLINDER**

Material: Aluminium

Finish: /88 /97 /R2



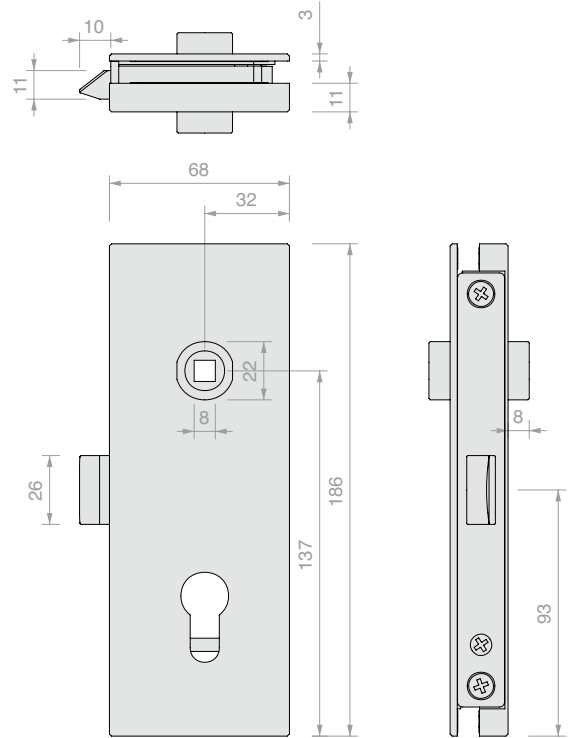
Art.	For glass	Latch	Qty
APRO4506BORH	From 8 to 13.5 mm	Magnetic	1 Pc



**APRO SERIES 40 RIGHT LOCK BODY,
WITH HOLE FOR EUROPEAN CYLINDER**

Material: Aluminium

Finish: /88 /97 /R2



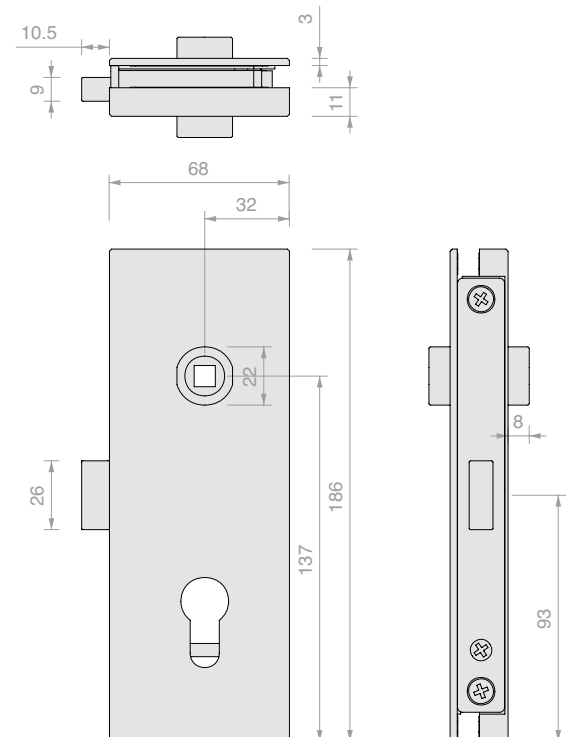
Art.	For glass	Latch	Qty
APRO4603BORH	From 8 to 13.5 mm	Mechanical	1 Pc



**APRO SERIES 40 RIGHT LOCK BODY,
WITH HOLE FOR EUROPEAN CYLINDER**

Material: Aluminium

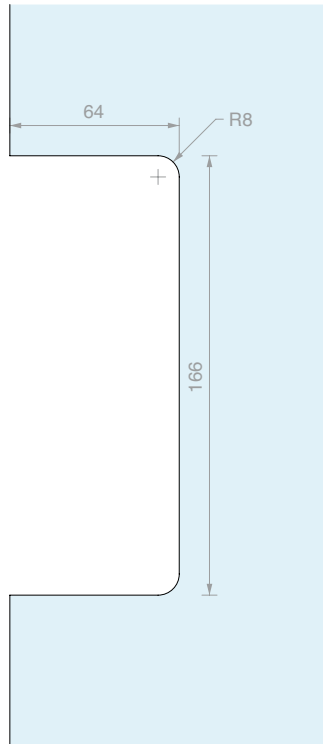
Finish: /88 /97 /R2



Art.	For glass	Latch	Qty
APRO4606BORH	From 8 to 13.5 mm	Magnetic	1 Pc



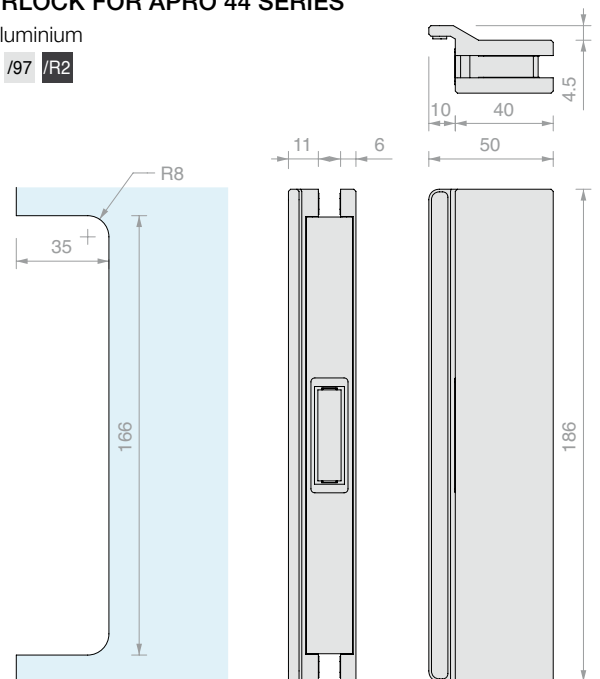
APRO VERTICAL MODEL LOCK NOTCH



COUNTERLOCK FOR APRO 44 SERIES

Material: Aluminium

Finish: /88 /97 /R2



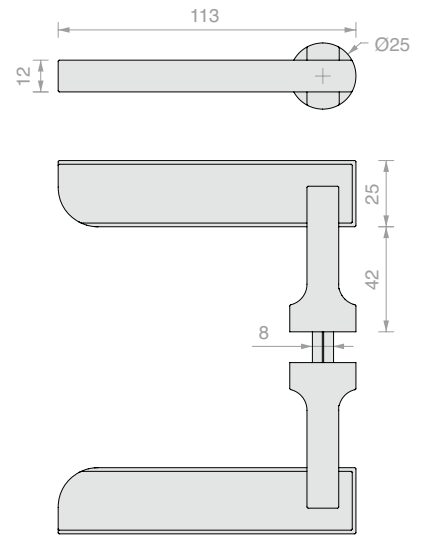
Art.	For glass	Striking plate	Qty
APRO1008	8 mm	Mechanical	1 Pc
APRO1010	10 mm	Mechanical	1 Pc
APRO1012	12 mm	Mechanical	1 Pc
APRO1013	13.5 mm	Mechanical	1 Pc
APRO4008	8 mm	Magnetic	1 Pc
APRO4010	10 mm	Magnetic	1 Pc
APRO4012	12 mm	Magnetic	1 Pc
APRO4013	13.5 mm	Magnetic	1 Pc



HANDLE FOR APRO SERIES 40

Material: Aluminium

Finish: /88 /97 /R2



Art.

APHANDTC

Q.ty

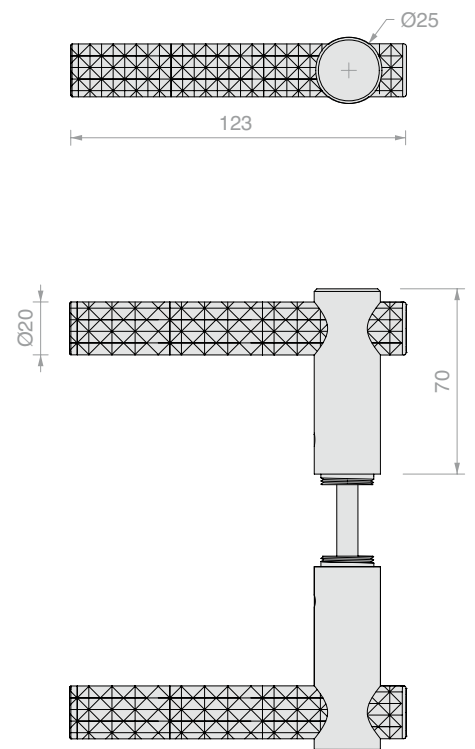
1 Pc



HANDLE FOR APRO SERIES 40 KNURLED

Material: Aluminium

Finish: /88 /97 /R2



Art.

APHANDGD

Q.ty

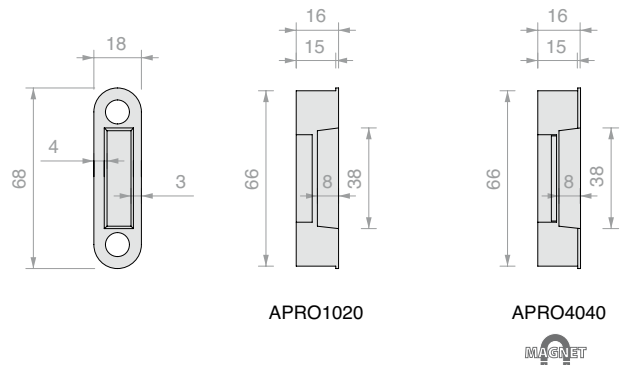
1 Pc



APRO STRIKING PLATE

Material: Aluminium

Finish: /7 /R2



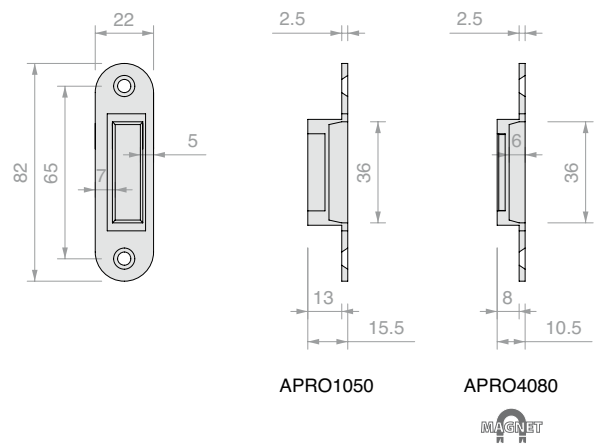
Art.	Striking plate	Qty
APRO1020	Mechanical	1 Pc
APRO4040	Magnetic	1 Pc



ADJUSTABLE APRO STRIKING PLATE

Material: Aluminium

Finish: /7



Art.	Striking plate	Qty
APRO1050	Mechanical	1 Pc
APRO4080	Magnetic	1 Pc

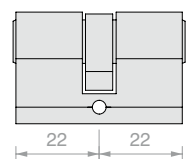


CYLINDER WITH EUROPEAN PROFILE KEY

Material: Brass

European cylinder with 3 keys

Finish: /1 /3

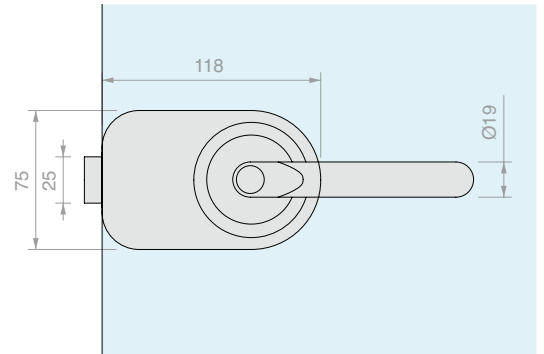
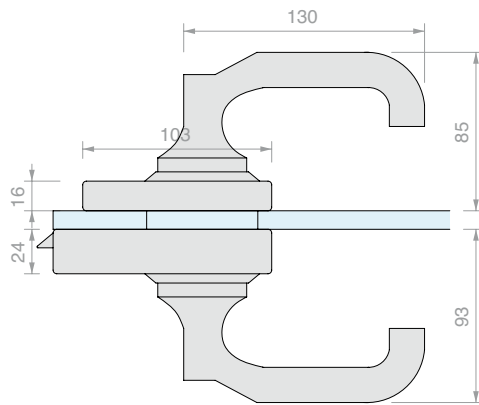


Art.	Key	Qty
LOGS10U	Single	1 Pc
LOGS10D	Different	1 Pc



HOPPE HCS LOCK

Material: Aluminium
Mechanical latch
Finish: /97

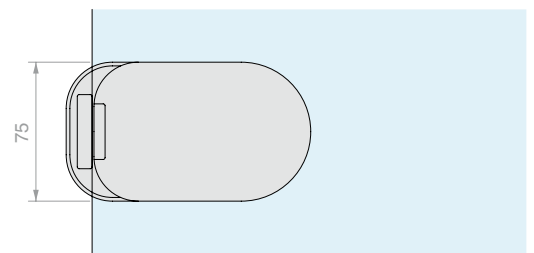
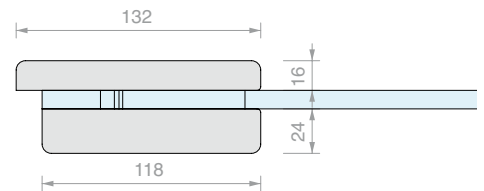


Art.	For glass	Lock	Key	Qty
SERH01	From 8 to 13.5 mm	Lock + lock	Different	1 Pc
SERH03	From 8 to 13.5 mm	Lock + Coin opening	Different	1 Pc
SERH05	From 8 to 13.5 mm	Lock + Free/Occupied indicator	Different	1 Pc
SERH07	From 8 to 13.5 mm	Lock + Door Knob	Different	1 Pc
SERH09	From 8 to 13.5 mm	Door knob + Coin opening	-	1 Pc
SERH11	From 8 to 13.5 mm	Door knob + Free/Occupied indicator	-	1 Pc



HOPPE HCS COUNTERLOCK

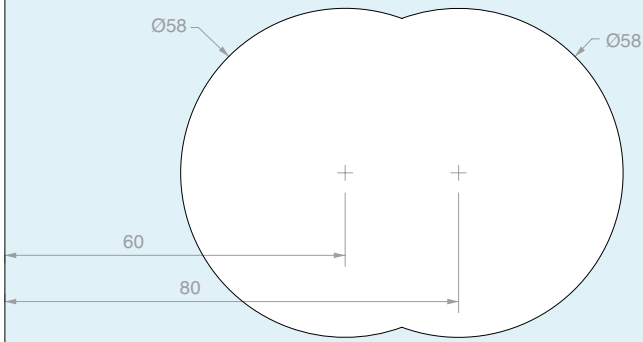
Material: Aluminium
Finish: /97















Art.	For glass	Qty
SERH13	From 8 to 13.5 mm	1 Pc



GLASS NOTCH FOR HCS LOCK AND COUNTERLOCK

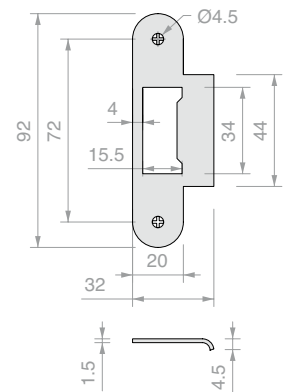


TYPES OF HOPPE HCS LOCK

SERH01	 Lock	+	 Lock
SERH03	 Lock	+	 Coin opening
SERH07	 Lock	+	 Door knob
SERH05	 Lock	+	 Free/Occupied indicator
SERH09	 Door knob	+	 Coin opening
SERH11	 Door knob	+	 Free/Occupied indicator

COUNTERPLATE

Material: Steel



Art.

SERH15

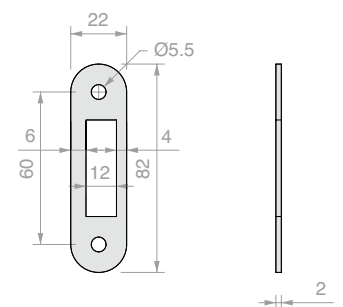
Q.ty

1 Pc



COUNTERPLATE FOR MECHANICAL LATCH

Material: Steel



Art.

SERH17

Q.ty

1 Pc

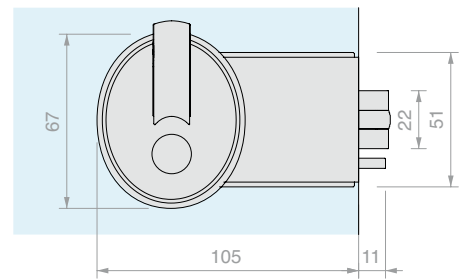
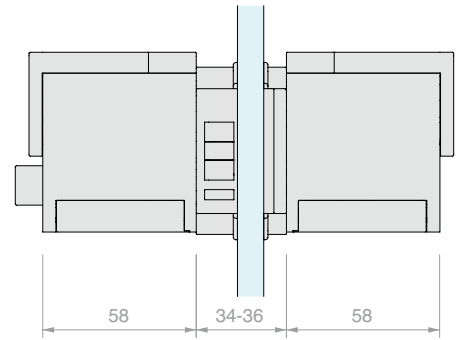


FORMA LOCKS

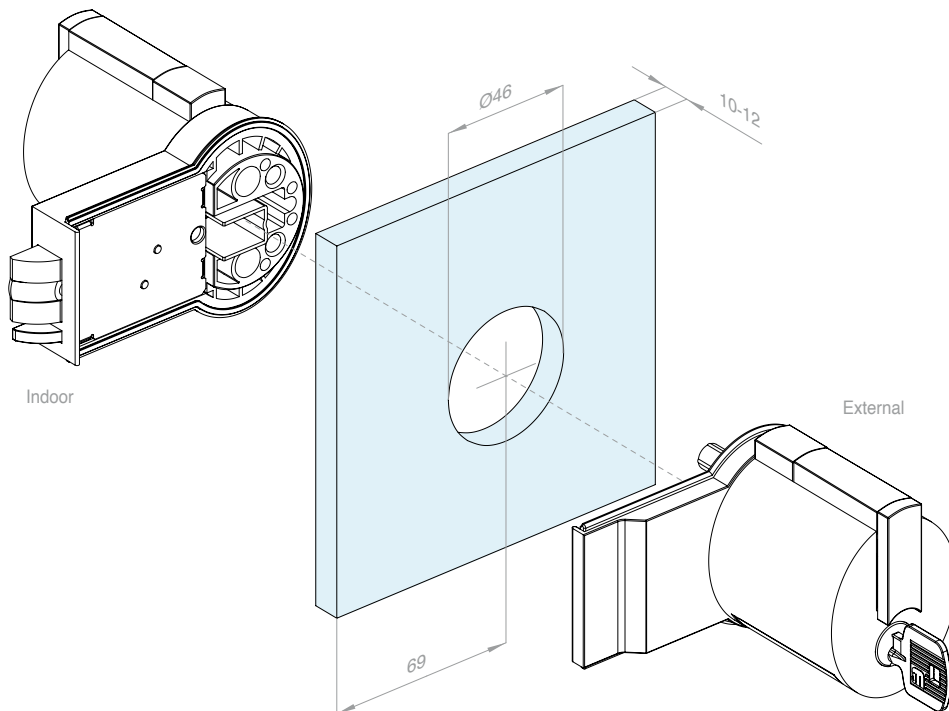
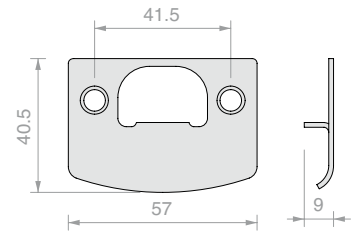
Material: Aluminium

Supplied with two keys

Finish: /91 /97



INCLUDES:



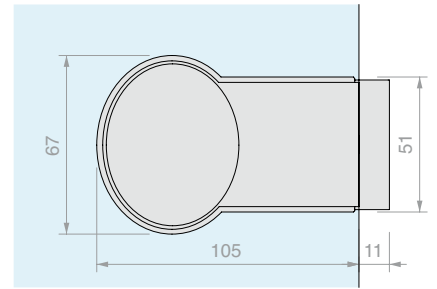
Art.	For glass	Lock	Key	Qty
SERMF15	From 10 to 12 mm	Lock + lock	Single	1 Pc
SERMF13	From 10 to 12 mm	Lock + Emergency device	Single	1 Pc



COUNTERLOCK

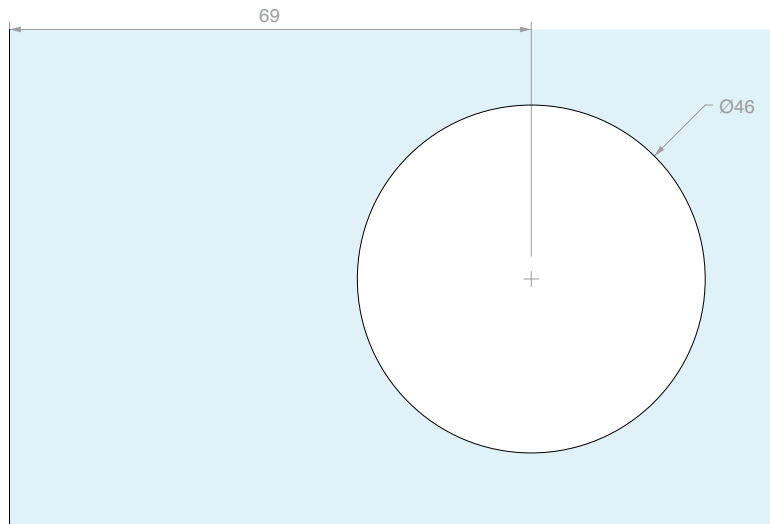
Material: Aluminium

Finish: /97



Art.	For glass	Qty
SERMFGL1	From 10 to 12 mm	1 Pc

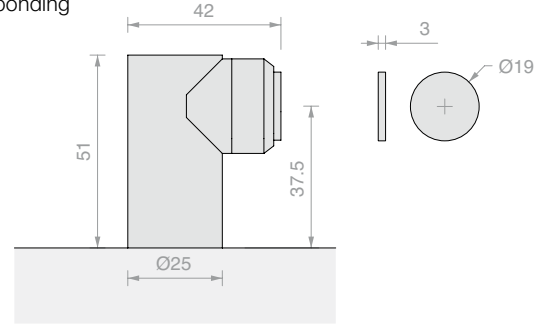
GLASS NOTCH FOR FORMA LOCK AND COUNTERLOCK





FLOOR-MOUNTED DOOR STOP WITH MAGNET

Material: AISI 304 stainless steel
With stainless steel disc to be fitted by UV bonding
Finish: /8

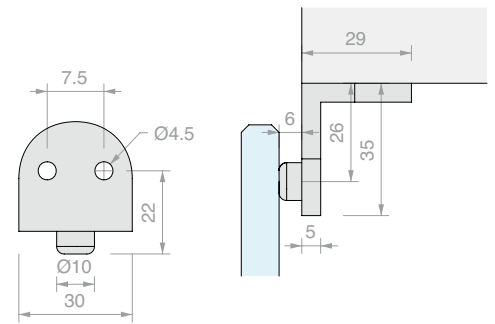


Art. **FPT01** Q.ty 1 Pc



SINGLE CEILING DOOR STOP

Material: AISI 304 stainless steel
Finish: /8

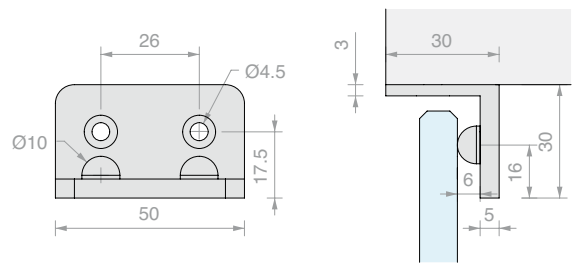


Art. **FPT03** Q.ty 1 Pc



DOUBLE CEILING DOOR STOP

Material: AISI 304 stainless steel
Finish: /8

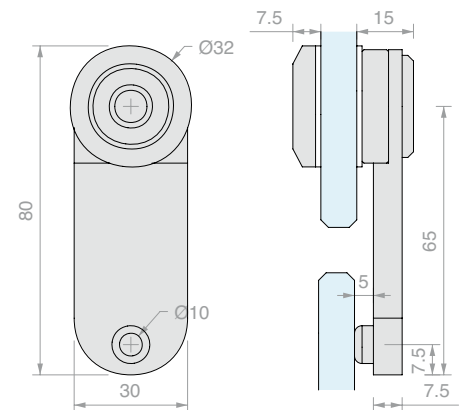


Art. **FPT21** Q.ty 1 Pc



DOOR STOP WITH GLASS FIXING

Material: AISI 304 stainless steel
Recommended glass hole size Ø22 mm
Finish: /8



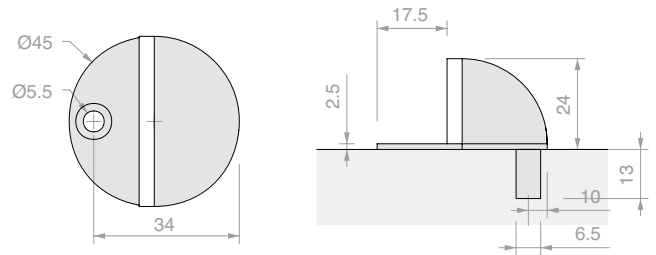
Art. **FPT07** For glass From 10 to 12 mm Q.ty 1 Pc



FLOOR DOOR STOP WITH RUBBER

Material: AISI 304 stainless steel

Finish: /8 /15



Art.

FPT09

Q.ty

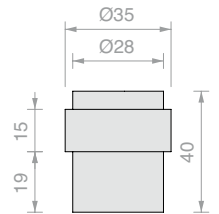
1 Pc



FLOOR DOOR STOP WITH RUBBER RING

Material: AISI 304 stainless steel

Finish: /8 /15



Art.

FPT11

Q.ty

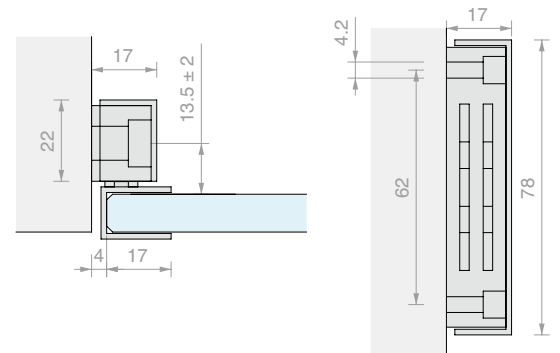
1 Pc



DOOR STOP WITH MAGNET

Material: Iron

Finish: /1 /2 /3



Art.

CAL005

Description

Magnet with cover

For glass

-

Qty

1 Pc

CAL006

Counterplate

8 mm

1 Pc

CAL007

Counterplate

10 mm

1 Pc

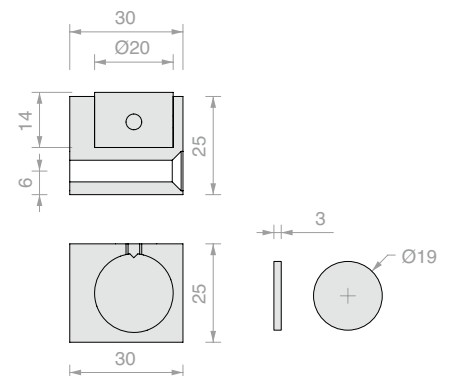


MAGNET WITH WALL FIXING

Material: AISI 304 stainless steel

With stainless steel disc to be fitted by UV bonding

Finish: /9



Art.

CALMU30

Q.ty

1 Pc



GLASS LIP ADHESIVE GASKET

APPLICATIONS: Closing gaps around the edge to ensure a seal that protects against water, wind, dust, insects, noise and changes in temperature.

Description: GLASS LIP is an adhesive edge gasket for glass doors and partition walls which is quick and easy to install, applied using the mounting template Art. GSL812 which helps to position the gasket in the centre of the glass along the whole length of the edge. It comprises a lip gasket which is quick to install with the incorporated transparent high adhesion two-sided tape. The special structure of the soft lips, with tear-off strips to shorten them, can be used to seal gaps from 2.5 to 7 mm.

Properties:

GLASS LIP can be used on glass thicknesses between 8 mm and 13.52 mm

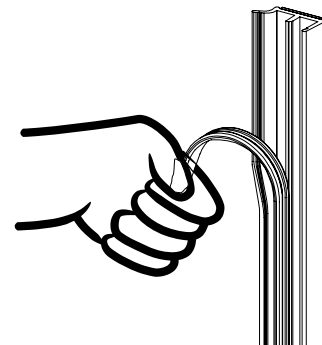
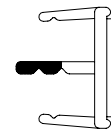
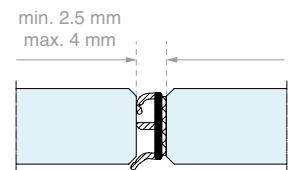
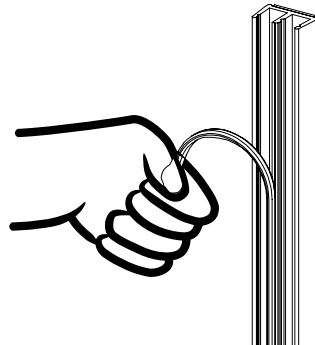
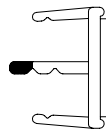
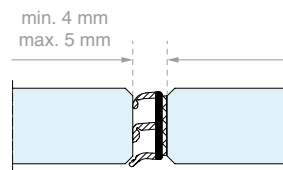
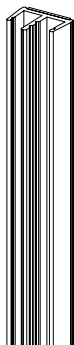
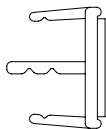
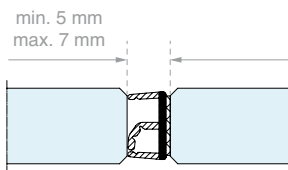
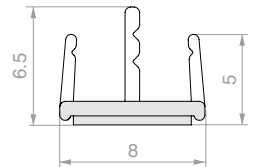
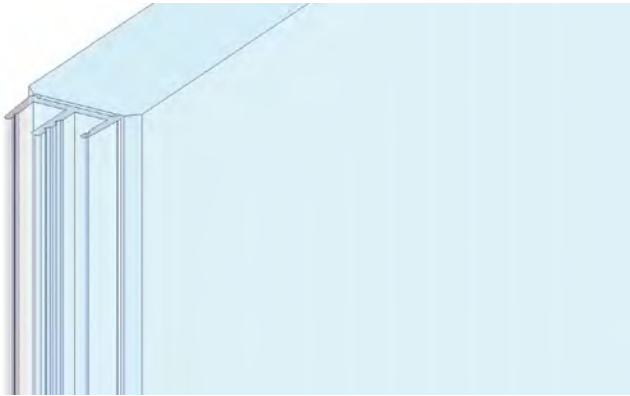
APPLICATION: All glass doors.

FIXING TYPE: With transparent high adhesion VHB two-sided tape for -40°C to +150°C

GASKETS: Lip gasket made from coextruded thermoplastic, adjustable (patented system).

FINISH: Embossed

PATENTED SYSTEM

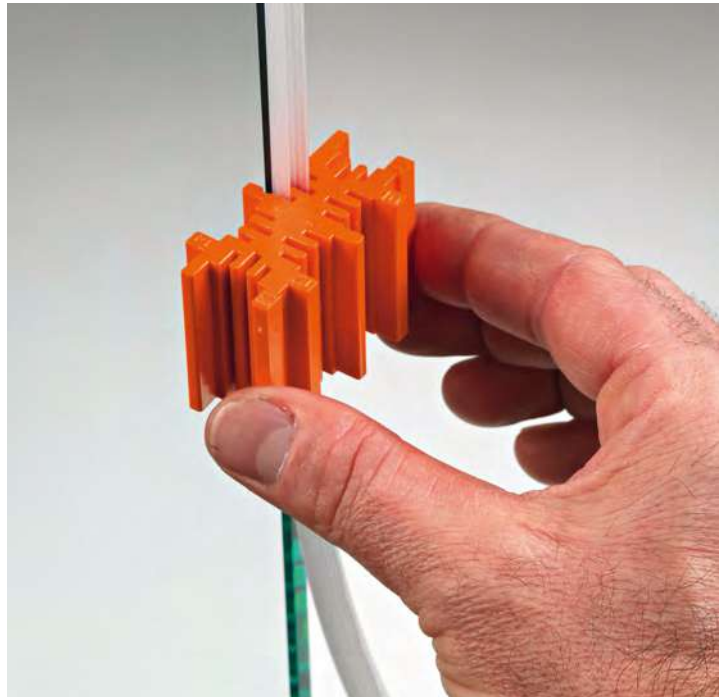
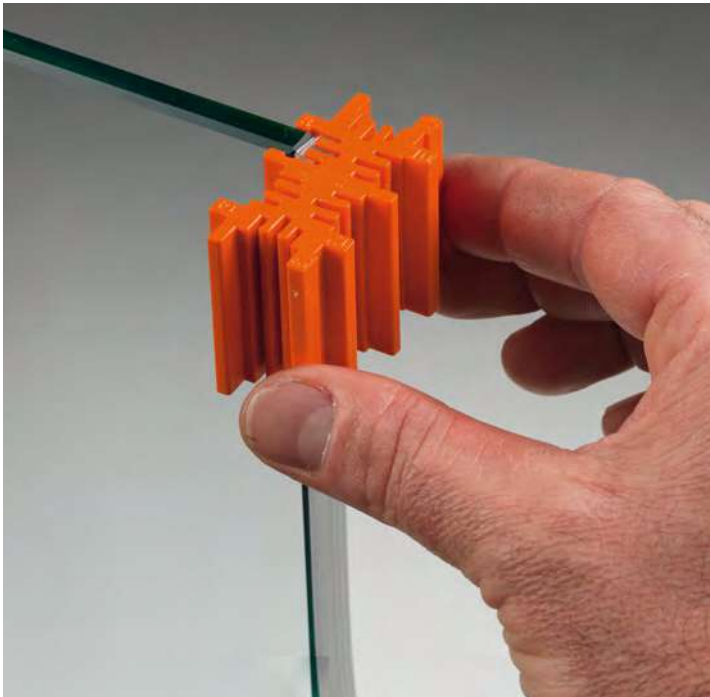
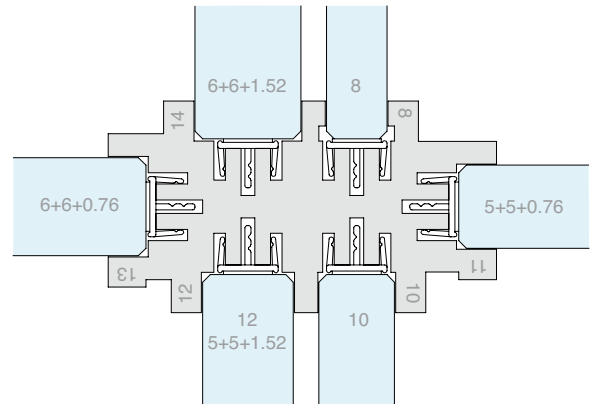


Art.	For glass	Length	Qty
GSL3000	From 8 to 13.5 mm	3000 mm	1 Pc



MOUNTING TEMPLATE GSL3000

Plastic mounting template for positioning the centre of the gasket in the centre of the glass along the whole length.
For use with Art. GSL3000



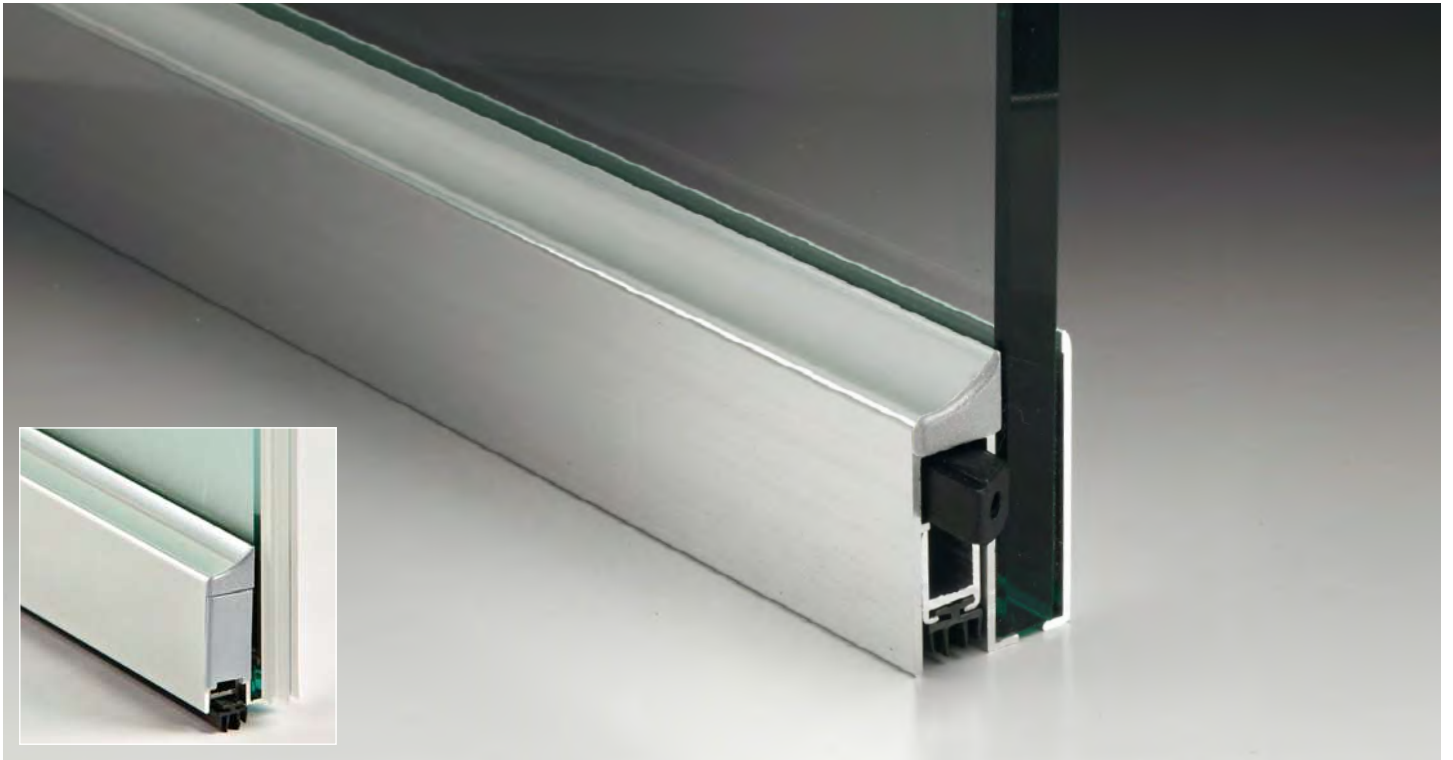
Art.	For glass	Qty
GSL812	From 8 to 13.5 mm	1 Pc



DEGREASING WIPE

Properties: Disposable wipe impregnated with isopropyl alcohol

Art.	Qty
GSLSVL	1 Pc



**LOWER PROFILE WITH GASKET
GLASS 100 AUTOMATIC**

Application: Closing gaps on the floor to ensure a seal that protects against water, wind, dust, insects, noise and changes in temperature.

Description: Automatic under door gasket with tilting friction movement (the gasket lowers first on the hinge side and then on the handle side).

Mechanism can be removed on the hinge side after fixing.
Travel 14 mm.

Galvanised steel spring and 20% fibreglass PA thrust bearing.
Aluminium alloy 6060 T6 profiles. Finishing cap included.

Properties: The mechanism can be removed from both the hinge and handle side, exclusive system (patented).

Option for replacement parts.

FIXING TYPE:

With transparent high adhesion VHB two-sided tape for -40°C to +150°C

Finish: /97 /R2

SYSTEM FOR INTERIORS
One kit allows for either closing direction

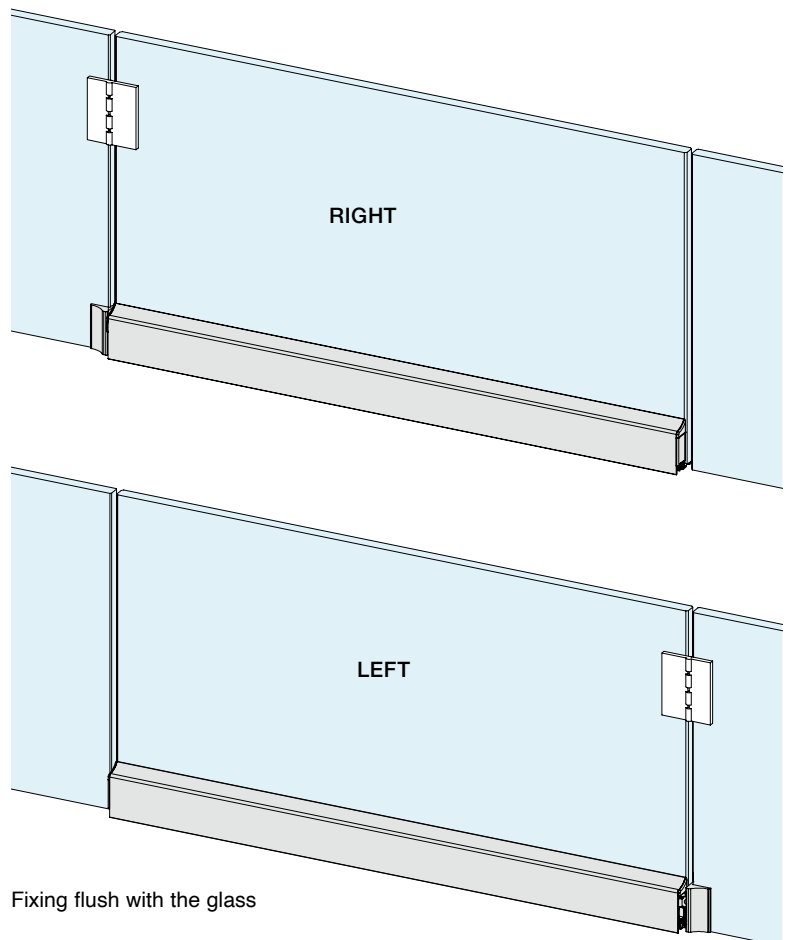
Tested for 200,000 closings.

ANODISED COATING 8/15 MICRON

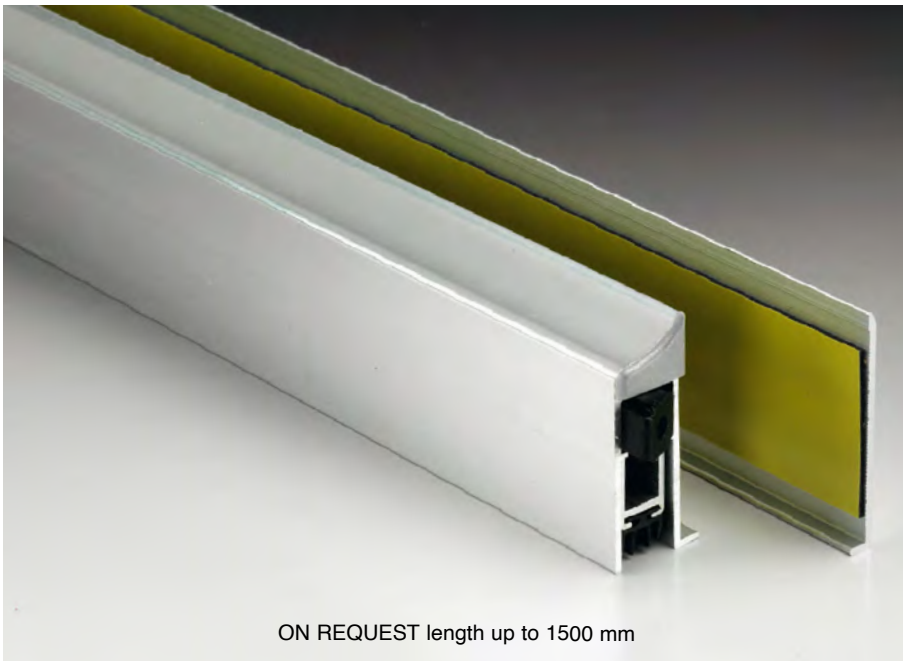
PATENTED SYSTEM

HANDLING AND CLEANING:

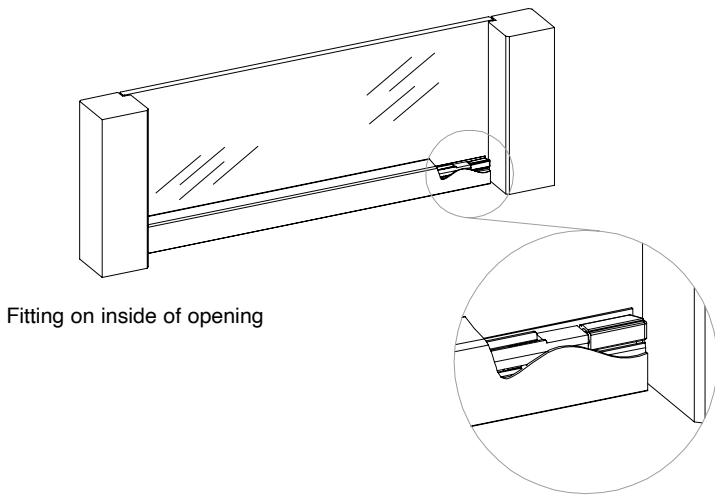
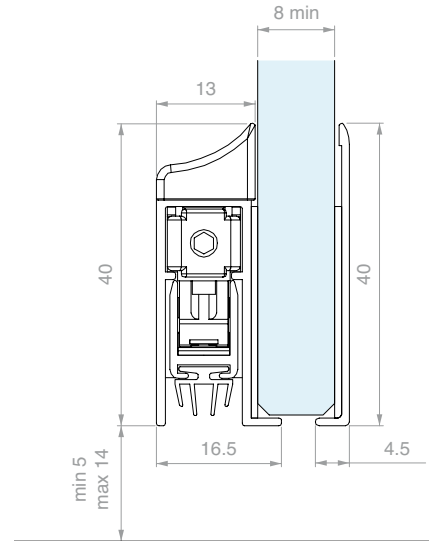
Wash with warm water and neutral detergent; use a soft cloth or a non-abrasive sponge.
Rinse thoroughly with clean water. Dry with a soft cloth.



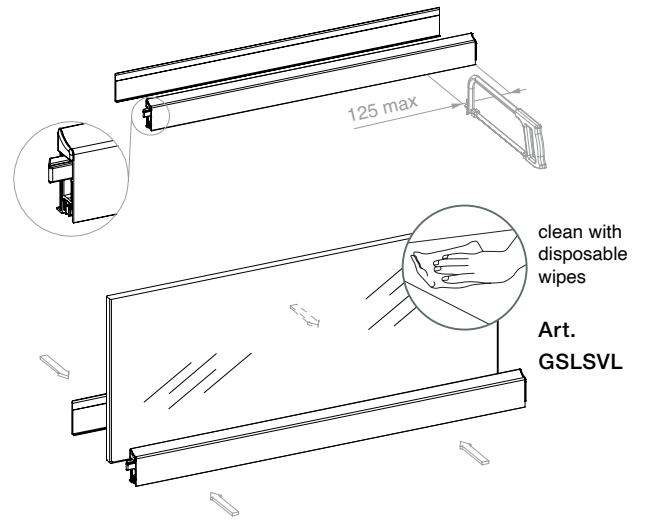
Fixing flush with the glass



ON REQUEST length up to 1500 mm



Fitting on inside of opening



clean with disposable wipes

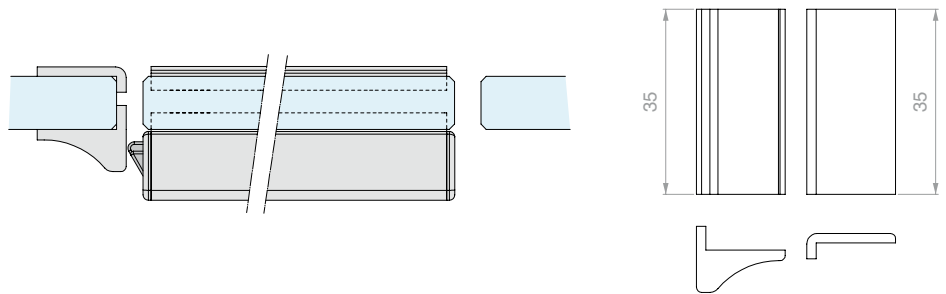
Art. GSLSVL

Fixed using high strength two-sided tape

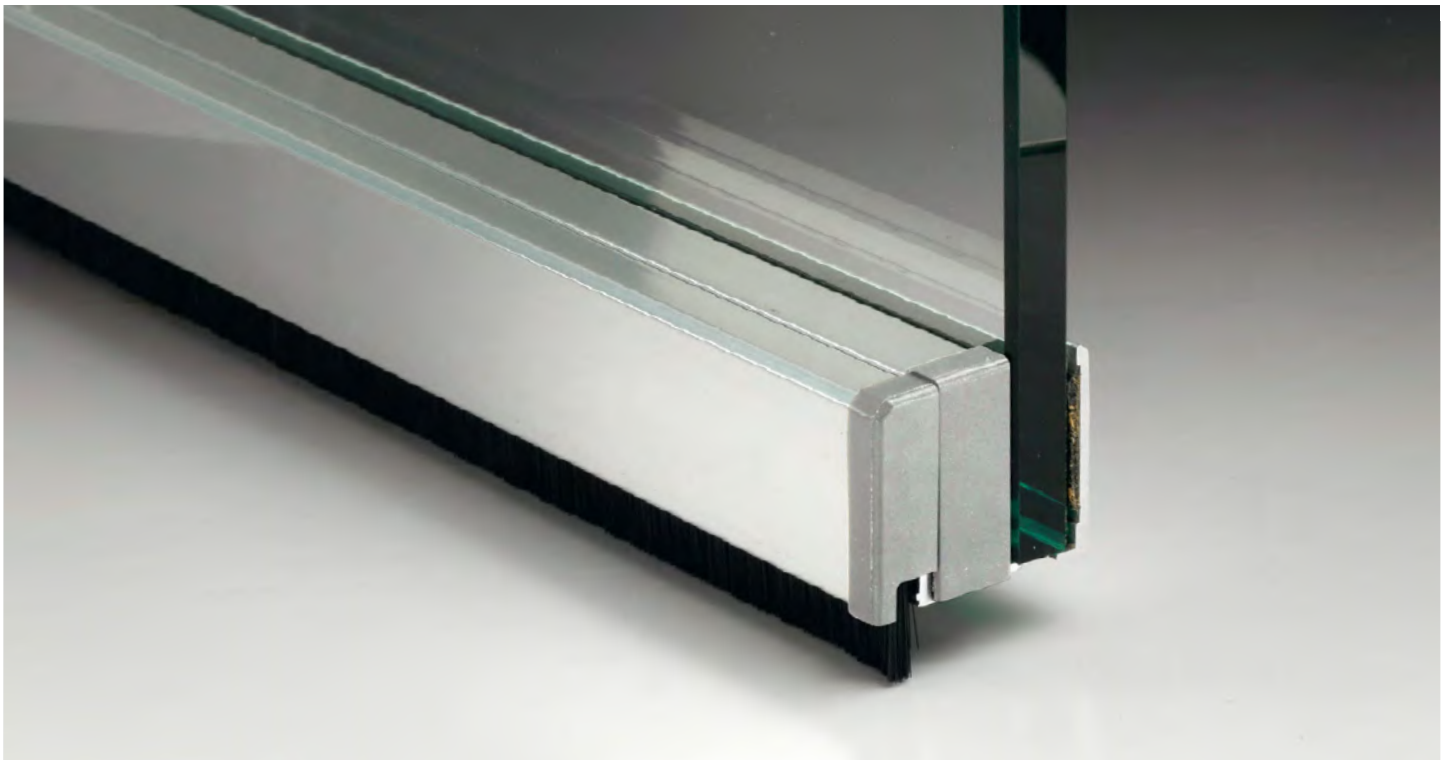


FLUSH FIT KIT - KIT INCLUDES

Material: plastic. Properties: Flush fit kit for doors fitted flush with fixed glass.
Application: on fixed glass with high strength two-sided tape.



Art.	Length	Glass width	Qty
GS01875	900 mm	min 775 - max 900 mm	1 Pc
GS01100	1025 mm	min 900 - max 1025 mm	1 Pc



LOWER PROFILE WITH BRUSH GLASS 300 PIVOT

Application: Closing gaps on the floor to ensure a seal that protects against wind, dust, insects, noise and changes in temperature. Not waterproof

Description: An under door gasket that seals gaps between the glass door and floor. Can be installed on all traditional hinged systems, and on pivoting systems with floor-mounted door closer (using a suitable compensator for the hinge plate), adapting to the difference in height with a self-levelling spring system. The very fine bristles on the brush create a barrier that prevents dust and insects from entering, without hindering the opening of the door, even on rough floors. The under floor gasket is finished with stylish anodisation, side end caps and a rear cover that conceals the adhesive tape applied on the opposite side.

Properties: Attached using high strength two-sided tape.

Self-levelling spring movement. Aluminium alloy 6060 T6 profile. PA6 20% end caps.

FIXING TYPE: With high adhesion VHB two-sided tape for -40°C to +150°C

Finish: /97

FOR PIVOTING AND SWING DOORS

ANODISED COATING 8/15 MICRON

PATENTED SYSTEM

CAN BE USED WITH GLASS FITTING SERIES

LOWER HINGE GF100



Art. GF100 _ Page 467

BOLT GL800

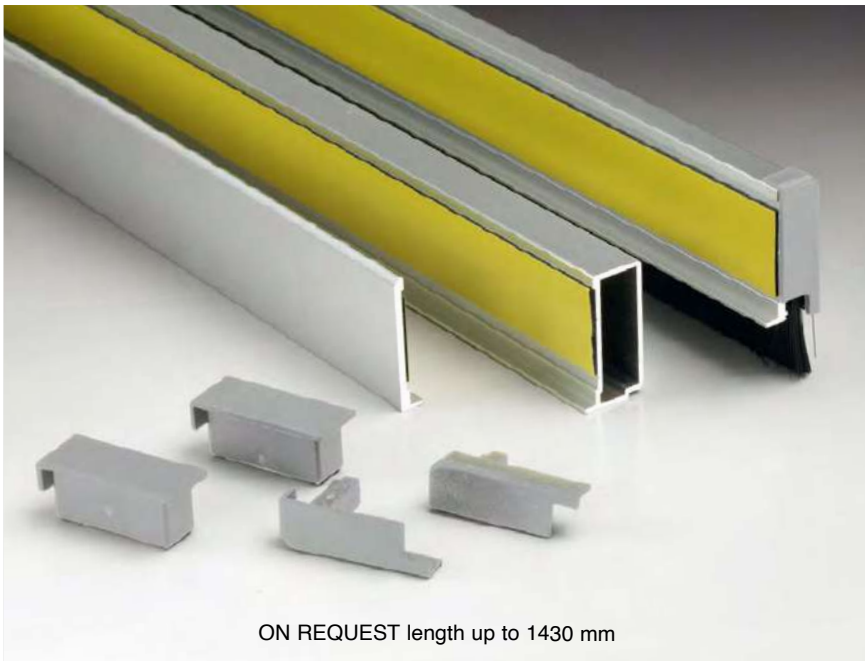


Art. GL800 _ Page 473

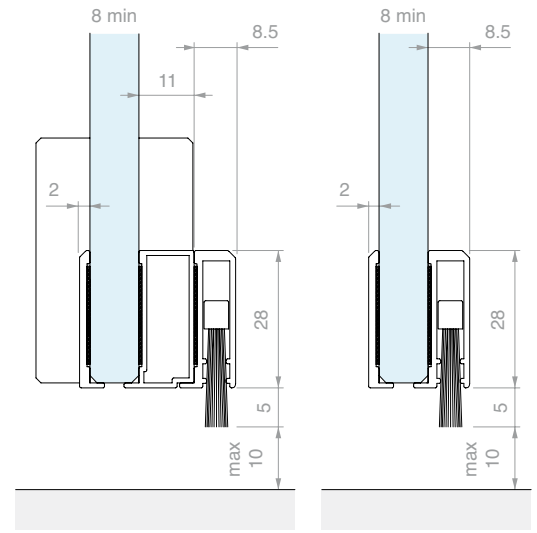
HANDLING AND CLEANING:

Wash with warm water and neutral detergent; use a soft cloth or a non-abrasive sponge.

Rinse thoroughly with clean water. Dry with a soft cloth.

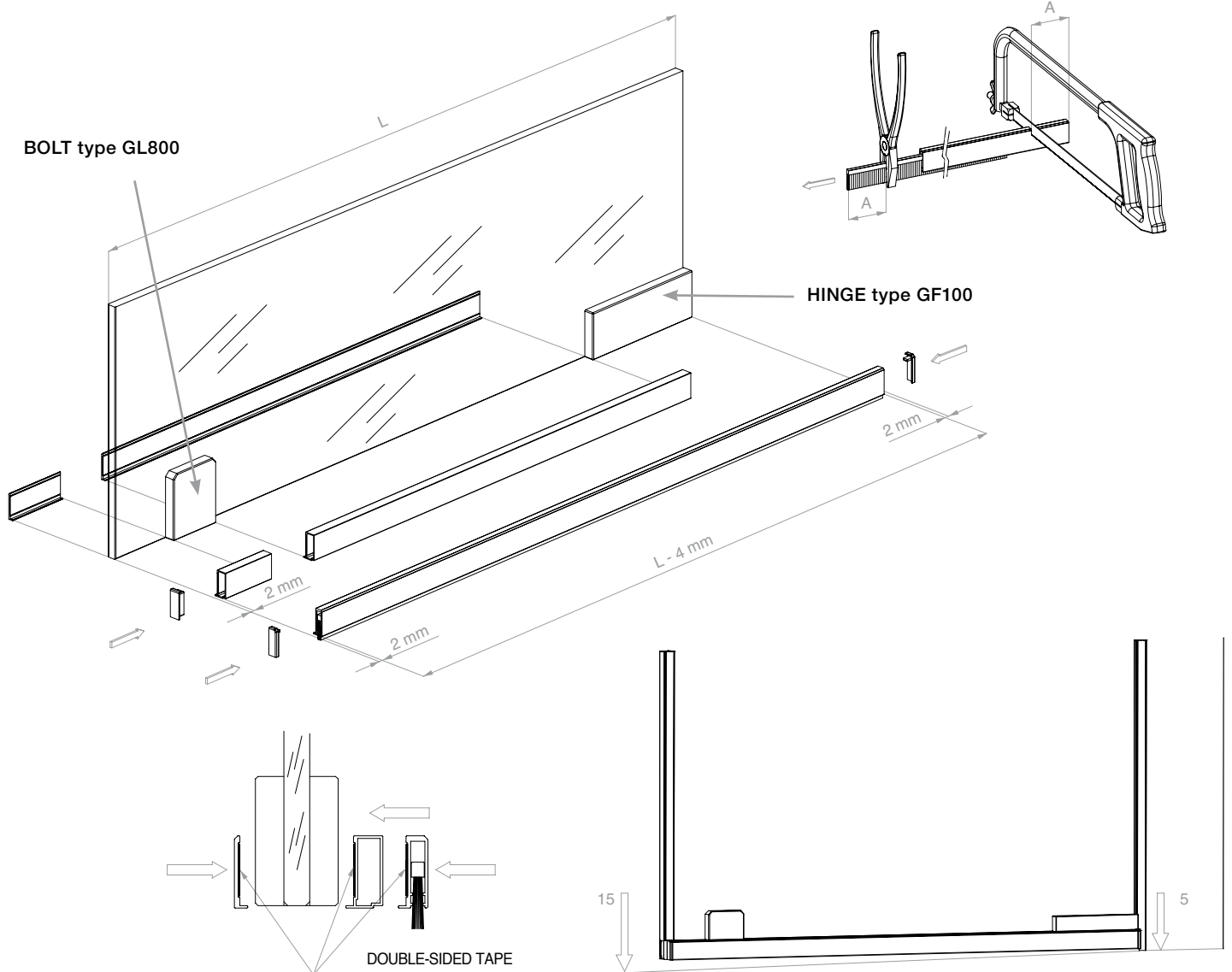


ON REQUEST length up to 1430 mm



FOR PIVOTING DOORS

FOR INTERNAL USE



Art.	Length	Glass width	Qty
GSP03100	1000 mm	max 1000 mm	1 Pc

HANDLES AND DOOR KNOBS

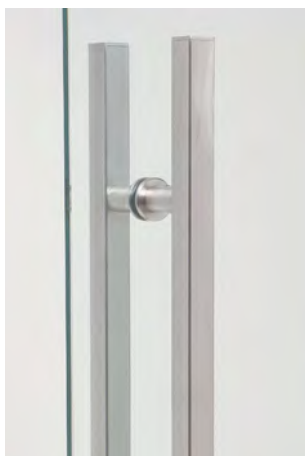




PANIC BAR
Page 565



PULL HANDLES WITH LOCK
Page 585



PULL HANDLES
Page 596



ADHESIVE HANDLES
Page 608



HANDLES
Page 615



DOOR KNOBS
Page 626




PHOTO SHOWS:
1 x MAPA 220 M/83
1 x MAPA 220/83

PANIC BAR

Only those systems which comply with standard EN 1125 may be installed for panic exits, which covers panic exit systems which are operated by horizontal bars (traditional PANIC BARS and touch bars). Devices which are mainly fitted in places open to the public or with personnel who are not trained in emergency procedures: cinemas, theatres, buildings used for sporting activities, etc.

Iseo Serrature has obtained certification of compliance with standard EN 1125 as per CPR 305/2011 from the Warrington Certification Limited (WCL) Institute.

CLASSIFICATION PRINTED ON THE PRODUCT TO IDENTIFY THE APPROPRIATE PROPERTIES FOR EACH APPLICATION

Not suitable for fire/smoke-proof doors	3	7	6	0	1	4	2	2	A
Suitable for fire/smoke-proof doors	3	7	6	1	1	4	2	2	A
	Category of use	Durability	Door mass	Resistance to fire	Safety for people	Corrosion resistance	Security for property	Projection of the bar	Type of device operation



Category of use. There is a single category which is identified for very frequent use of the bar by people who are not paying much attention and the possibility of incident or improper use may arise.

Durability. There are two categories:

- grade 6 = 100,000 cycles
- grade 7 = 200,000 cycles

Door mass. There are two categories:

- grade 5 = up to 100 kg,
- grade 6 = up to 200 kg.

Resistance to fire. There are two categories:

- grade 0 = not suitable for fire/smoke-proof doors
- grade 1 = suitable for fire/smoke-proof doors.

Safety for people. There is a single category which represents the highest achievable grade based on the fact that the panic devices must ensure the safety of people.

Corrosion resistance. There are two categories, in accordance with standard UNI EN1670: 2007
 grade 3 = high resistance,
 grade 4 = very high resistance.

Security for property. There is a single category which represents the lowest achievable grade based on the fact that the security of property must be considered to be secondary to the safety of people.

Projection of the bar. There are two categories:

- grade 1 = projection of the bar up to 150 mm (normal)
- grade 2 = projection of the bar up to 100 mm (low profile)

Type of device operation. There are 2 categories:

- A = panic bar operated by a push bar
- B = panic bar operated by a touch bar.

For more details, please refer to standard EN1125

The scope of application for PANIC BARS is defined by standard EN 1125, as set out below

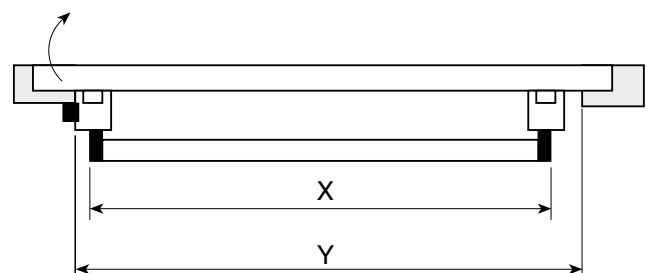
Maximum door width	1300 mm
Maximum door height	2500 mm
Maximum door mass	200 kg
Operating temperature limits	-20°C to + 100°C

If the dimensions of the door are greater than the values indicated above, standard EN 1125 no longer applies and therefore the product certification is no longer valid. For doors with a mass of up to 200 kg, maximum height up to 3200 mm, and width up to 1500 mm, ISEO declares that the performance of the push bars are equal to those required by the standard.

Note:

The effective length of the bar (dimension X) must be as close as possible to the actual width (dimension Y) of the door for which it is recommended. In any case, it must never be less than 60% (see figure).

For the mass of the door, the limits of application remain the same as those specified by the standard.





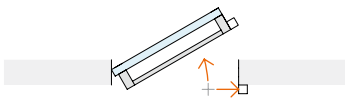
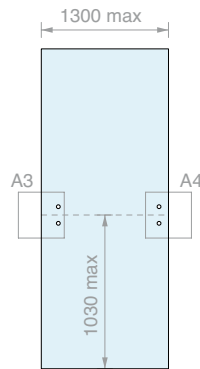
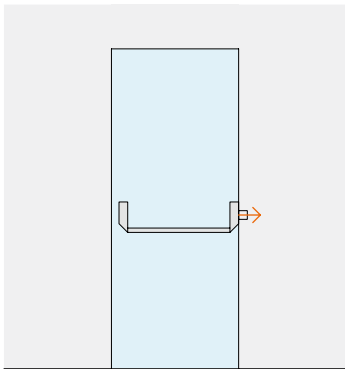
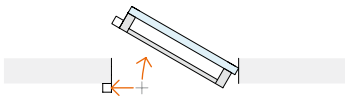
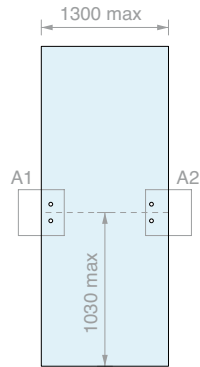
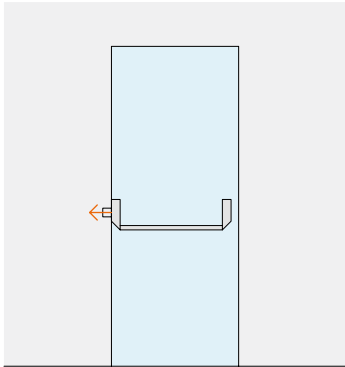
**SINGLE DOOR PANIC BAR KIT
WITHOUT EXTERNAL HANDLE**

Material: Aluminium, Steel, Zamak

Finish: /56 /83

10/15

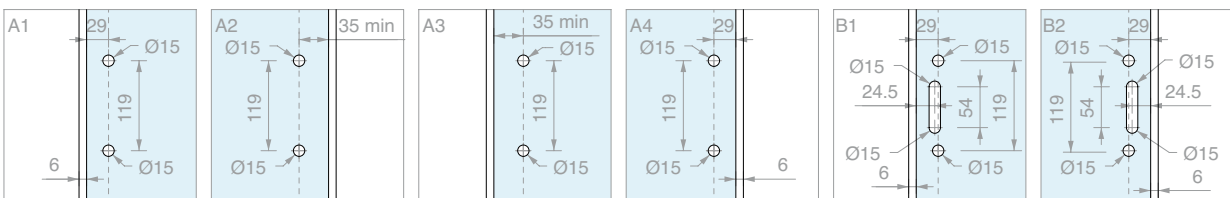
REVERSIBLE EXTERNAL OPENING



Art.	Q.ty
MAP-BASE	1 Pc

Kit comprising:

Art.	Description	Qty
MAP101	Latch/levers/cover	1 Pc
MAP103	Oval horizontal bar	1 Pc
MAP107	Pair of striker plates for push bars without control	1 Pc





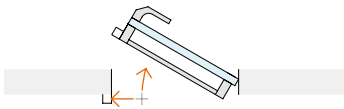
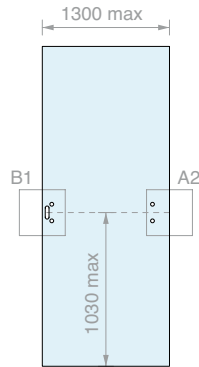
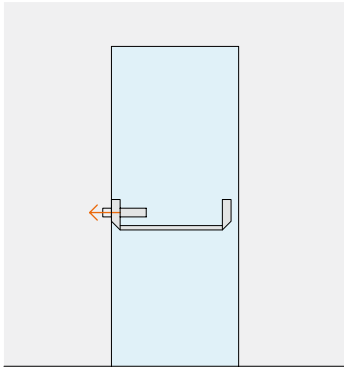
**SINGLE DOOR PANIC BAR KIT
WITH EXTERNAL HANDLE**

Material: Aluminium, Steel, Zamak

Finish: /56 /83

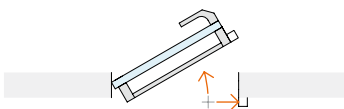
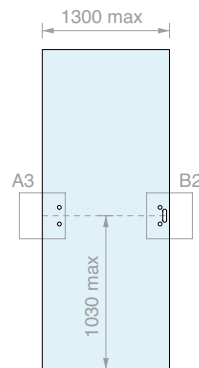
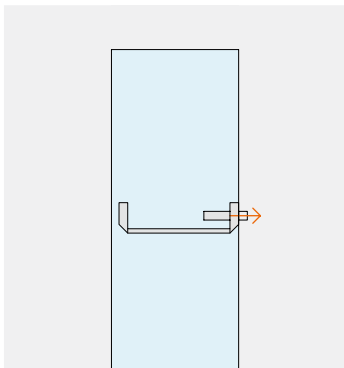
10/15

RIGHT EXTERNAL OPENING



Art.	Version	Qty
MAP-BASEMSX	Left	1 Pc

LEFT EXTERNAL OPENING



Art.	Version	Qty
MAP-BASEMDX	Right	1 Pc

Kit comprising:

Art.	Description	Qty
MAP101	Latch/levers/cover	1 Pc
MAP103	Oval horizontal bar	1 Pc
MAP105	External handle	1 Pc
MAP111	Left external control	1 Pc

Kit comprising:

Art.	Description	Qty
MAP101	Latch/levers/cover	1 Pc
MAP103	Oval horizontal bar	1 Pc
MAP105	External handle	1 Pc
MAP109	Right external control	1 Pc



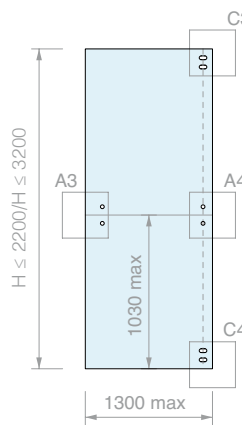
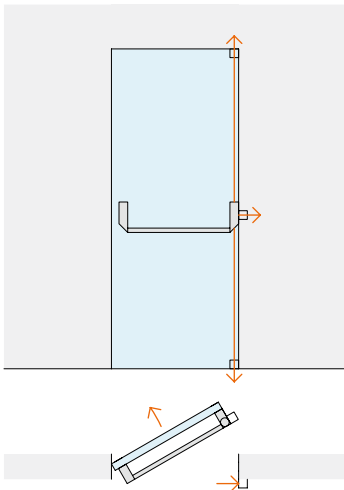
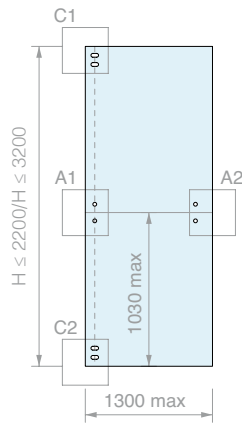
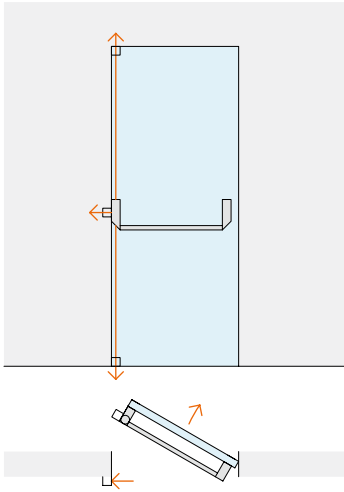
**SINGLE DOOR PANIC BAR KIT
WITHOUT EXTERNAL HANDLE WITH BOLT LATCHES**

Material: Aluminium, Steel, Zamak

Finish: /56 /83

10/15

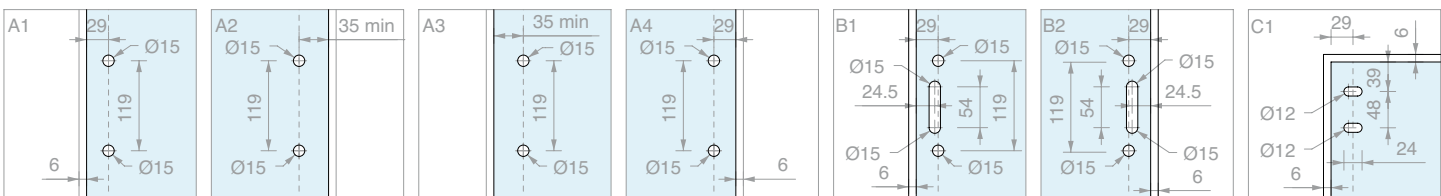
REVERSIBLE EXTERNAL OPENING



Art.	H max door	Qty
MAP-A220	2200 mm	1 Pc
MAP-A320	3200 mm	1 Pc

Kit comprising:

Art.	Description	Qty
MAP101-BOLT	Latch/levers/cover/latch bolt	1 Pc
MAP103	Oval horizontal bar	1 Pc
MAP107	Pair of striker plates for push bars without control	1 Pc
MAP113 / MAP114	Pair of Bolt latches - H 2200 mm Pair of Bolt latches - H 3200 mm	1 Pc
MAP115 / MAP116	Pair of Bolt strike plates - H 2200 mm Pair of Bolt strike plates - H 3200 mm	1 Pc





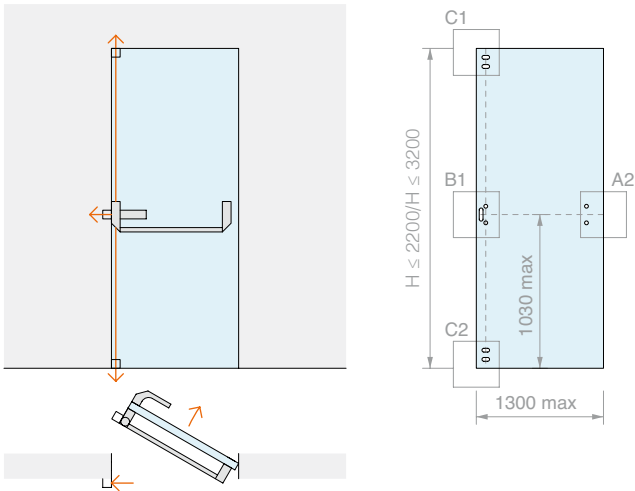
**SINGLE DOOR PANIC BAR KIT
WITH EXTERNAL HANDLE AND BOLT LATCHES**

Material: Aluminium, Steel, Zamak

Finish: /56 /83

10/15

LEFT EXTERNAL OPENING

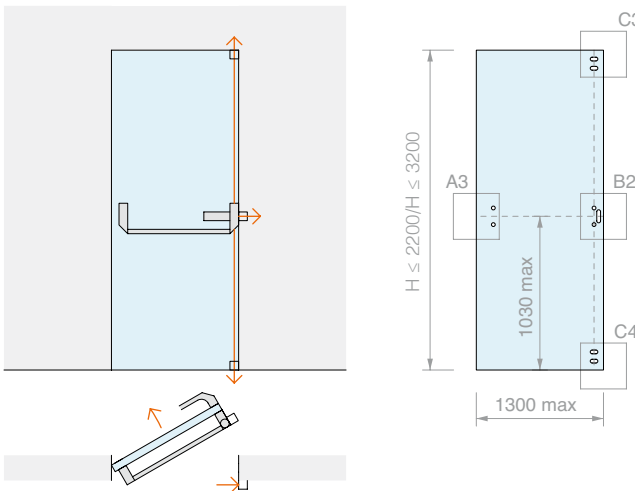


Art.	H max door	Version	Qty
MAP-A220MSX	2200 mm	Left	1 Pc
MAP-A320MSX	3200 mm	Left	1 Pc

Kit comprising:

Art.	Description	Qty
MAP101-BOLT	Latch/levers/cover/latch bolt	1 Pc
MAP103	Oval horizontal bar	1 Pc
MAP113 /	Pair of Bolt latches - H 2200 mm	1 Pc
MAP114	Pair of Bolt latches - H 3200 mm	1 Pc
MAP115 /	Pair of Bolt strike plates - H 2200 mm	1 Pc
MAP116	Pair of Bolt strike plates - H 3200 mm	1 Pc
MAP105	External handle	1 Pc
MAP111	Left external control	1 Pc

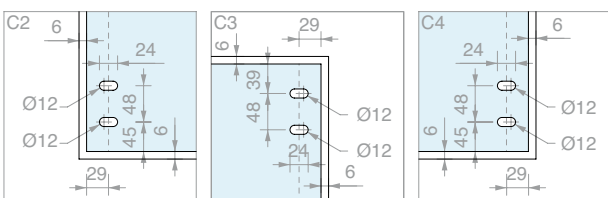
RIGHT EXTERNAL OPENING



Art.	H max door	Version	Qty
MAP-A220MDX	2200 mm	Right	1 Pc
MAP-A320MDX	3200 mm	Right	1 Pc

Kit comprising:

Art.	Description	Qty
MAP101-BOLT	Latch/levers/cover/latch bolt	1 Pc
MAP103	Oval horizontal bar	1 Pc
MAP113 /	Pair of Bolt latches - H 2200 mm	1 Pc
MAP114	Pair of Bolt latches - H 3200 mm	1 Pc
MAP115 /	Pair of Bolt strike plates - H 2200 mm	1 Pc
MAP116	Pair of Bolt strike plates - H 3200 mm	1 Pc
MAP105	External handle	1 Pc
MAP109	Right external control	1 Pc





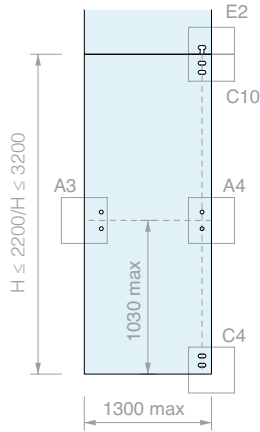
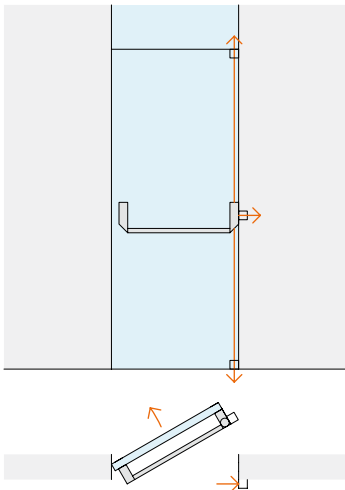
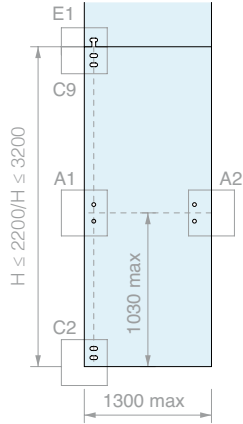
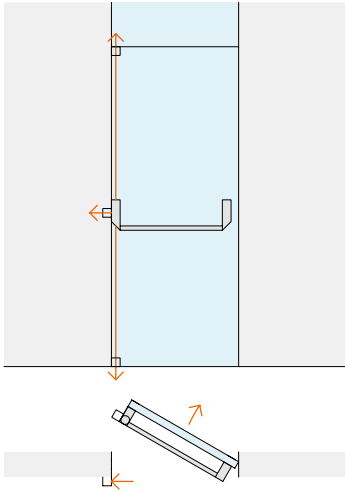
**SINGLE DOOR PANIC BAR KIT
WITHOUT EXTERNAL HANDLE WITH BOLT LATCHES AND TRANSOM**

10/15

Material: Aluminium, Steel, Zamak

Finish: /56 /83

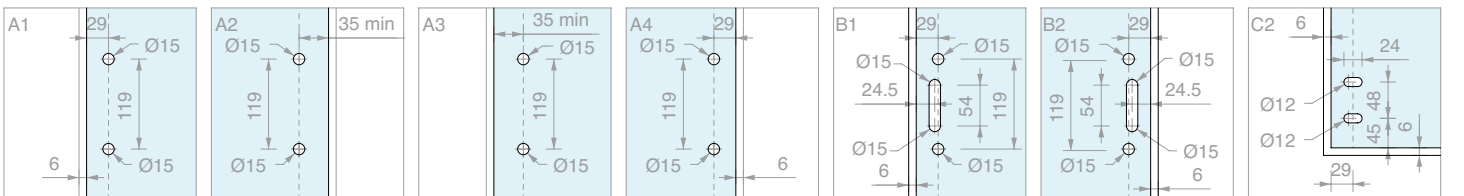
REVERSIBLE EXTERNAL OPENING



Kit comprising:

Art.	Description	Qty
MAP101-BOLT	Latch/levers/cover/latch bolt	1 Pc
MAP103	Oval horizontal bar	1 Pc
MAP107	Pair of striker plates for push bars without control	1 Pc
MAP113 / MAP114	Pair of Bolt latches - H 2200 mm Pair of Bolt latches - H 3200 mm	1 Pc
MAP115 / MAP116	Pair of Bolt strike plates - H 2200 mm Pair of Bolt strike plates - H 3200 mm	1 Pc
MAP119	Upper strike plate for Bolt latch	1 Pc

Art.	H max door	Qty
MAP-B220	2200 mm	1 Pc
MAP-B320	3200 mm	1 Pc





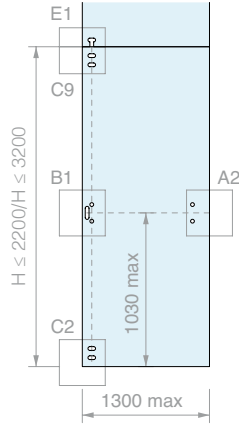
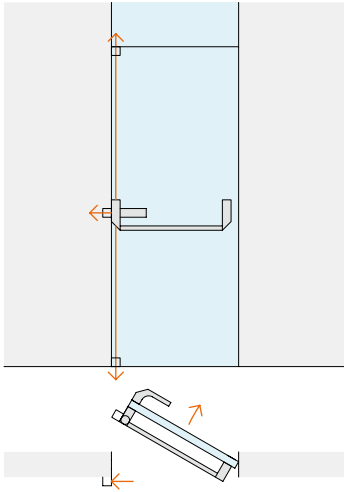
**SINGLE DOOR PANIC BAR KIT
WITH EXTERNAL HANDLE, BOLT LATCHES AND TRANSOM**

Material: Aluminium, Steel, Zamak

Finish: /56 /83

10/15

LEFT EXTERNAL OPENING

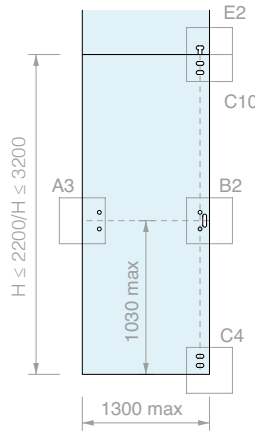
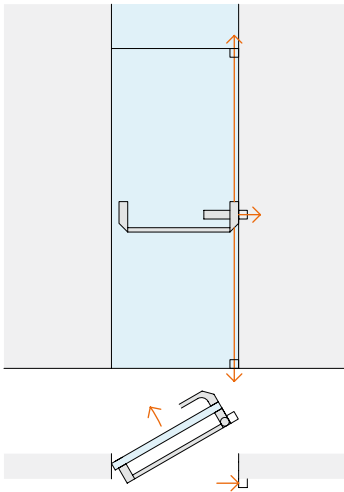


Kit comprising:

Art.	Description	Qty
MAP101-BOLT	Latch/levers/cover/latch bolt	1 Pc
MAP103	Oval horizontal bar	1 Pc
MAP113 /	Pair of Bolt latches - H 2200 mm	1 Pc
MAP114	Pair of Bolt latches - H 3200 mm	
MAP115 /	Pair of Bolt strike plates - H 2200 mm	1 Pc
MAP116	Pair of Bolt strike plates - H 3200 mm	
MAP119	Upper strike plate for Bolt latch	1 Pc
MAP105	External handle	1 Pc
MAP111	Left external control	1 Pc

Art.	H max door	Version	Qty
MAP-B220MSX	2200 mm	Left	1 Pc
MAP-B320MSX	3200 mm	Left	1 Pc

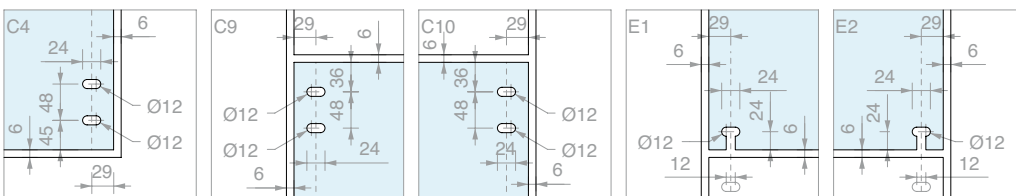
RIGHT EXTERNAL OPENING



Kit comprising:

Art.	Description	Qty
MAP101-BOLT	Latch/lever/cover/latch bolt	1 Pc
MAP103	Oval horizontal bar	1 Pc
MAP113 /	Pair of Bolt latches - H 2200 mm	1 Pc
MAP114	Pair of Bolt latches - H 3200 mm	
MAP115 /	Pair of Bolt strike plates - H 2200 mm	1 Pc
MAP116	Pair of Bolt strike plates - H 3200 mm	
MAP119	Upper strike plate for Bolt latch	1 Pc
MAP105	External handle	1 Pc
MAP109	Right external control	1 Pc

Art.	H max door	Version	Qty
MAP-B220MDX	2200 mm	Right	1 Pc
MAP-B320MDX	3200 mm	Right	1 Pc





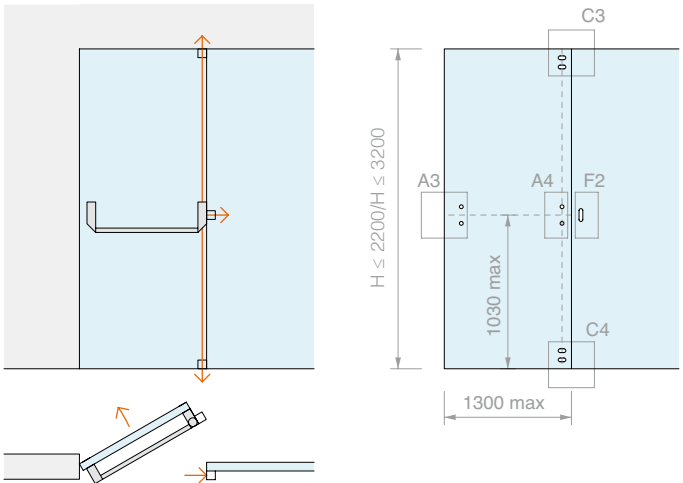
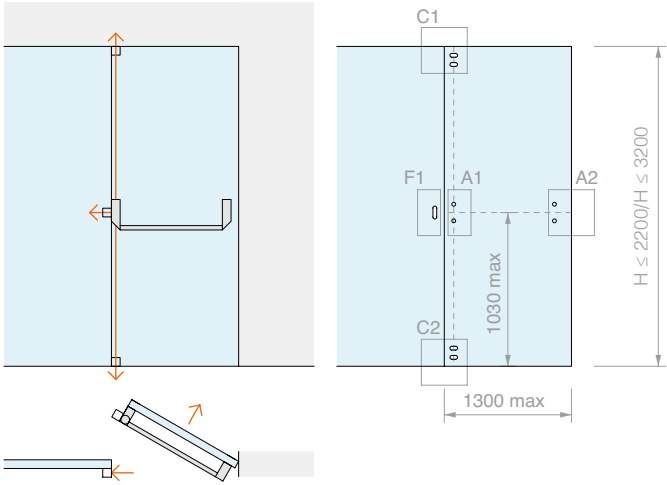
**SINGLE DOOR PANIC BAR KIT
WITHOUT EXTERNAL HANDLE WITH BOLT LATCHES AND FIXED GLASS**

10/15

Material: Aluminium, Steel, Zamak

Finish: /56 /83

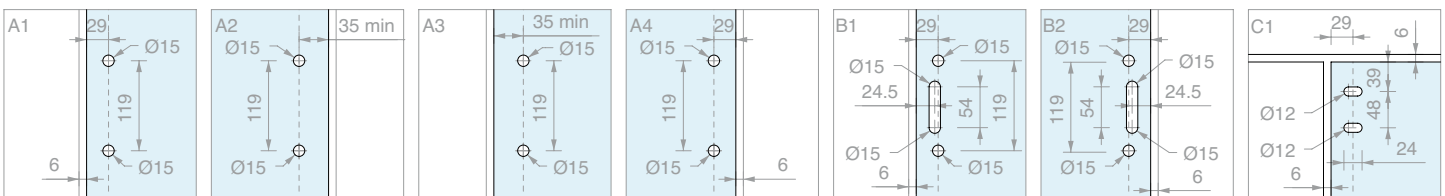
REVERSIBLE EXTERNAL OPENING



Kit comprising:

Art.	Description	Qty
MAP101-BOLT	Latch/levers/cover/latch bolt	1 Pc
MAP103	Oval horizontal bar	1 Pc
MAP107	Pair of striker plates for push bars without control	1 Pc
MAP113 /	Pair of Bolt latches - H 2200 mm	1 Pc
MAP114	Pair of Bolt latches - H 3200 mm	
MAP115 /	Pair of Bolt strike plates - H 2200 mm	1 Pc
MAP116	Pair of Bolt strike plates - H 3200 mm	
MAP117	Side strike plate for fixed glass	1 Pc

Art.	H max door	Qty
MAP-C220	2200 mm	1 Pc
MAP-C320	3200 mm	1 Pc





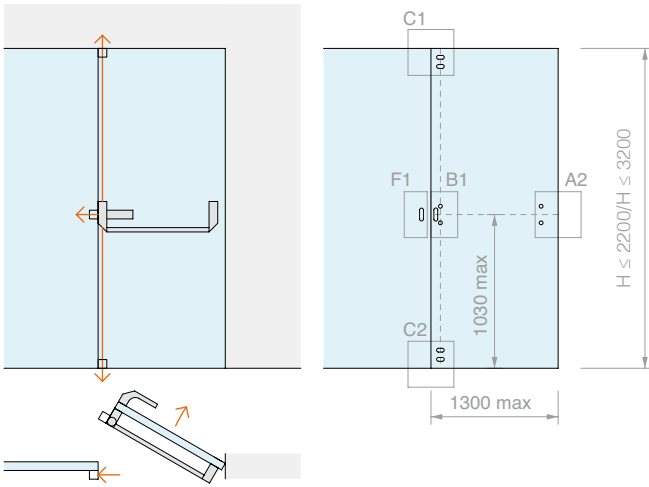
**SINGLE DOOR PANIC BAR KIT
WITH EXTERNAL HANDLE, BOLT LATCHES AND FIXED GLASS**

10/15

Material: Aluminium, Steel, Zamak

Finish: /56 /83

LEFT EXTERNAL OPENING

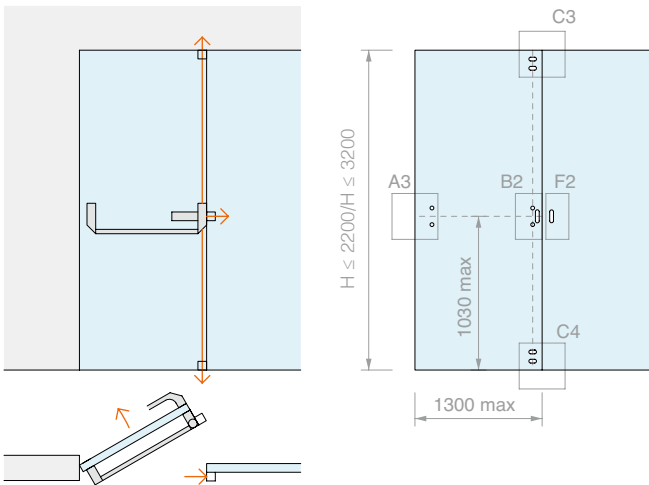


Art.	H max door	Version	Qty
MAP-C220MSX	2200 mm	Left	1 Pc
MAP-C320MSX	3200 mm	Left	1 Pc

Kit comprising:

Art.	Description	Qty
MAP101-BOLT	Latch/levers/cover/latch bolt	1 Pc
MAP103	Oval horizontal bar	1 Pc
MAP117	Side strike plate for fixed glass	1 Pc
MAP113 /	Pair of Bolt latches - H 2200 mm	1 Pc
MAP114	Pair of Bolt latches - H 3200 mm	
MAP115 /	Pair of Bolt strike plates - H 2200 mm	1 Pc
MAP116	Pair of Bolt strike plates - H 3200 mm	
MAP105	External handle	1 Pc
MAP111	Left external control	1 Pc

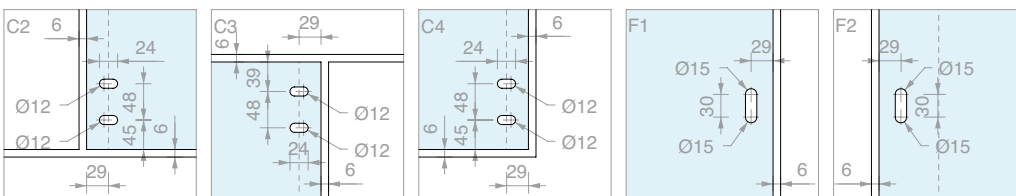
RIGHT EXTERNAL OPENING



Art.	H max door	Version	Qty
MAP-C220MDX	2200 mm	Right	1 Pc
MAP-C320MDX	3200 mm	Right	1 Pc

Kit comprising:

Art.	Description	Qty
MAP101-BOLT	Latch/levers/cover/latch bolt	1 Pc
MAP103	Oval horizontal bar	1 Pc
MAP117	Side strike plate for fixed glass	1 Pc
MAP113 /	Pair of Bolt latches - H 2200 mm	1 Pc
MAP114	Pair of Bolt latches - H 3200 mm	
MAP115 /	Pair of Bolt strike plates - H 2200 mm	1 Pc
MAP116	Pair of Bolt strike plates - H 3200 mm	
MAP105	External handle	1 Pc
MAP109	Right external control	1 Pc





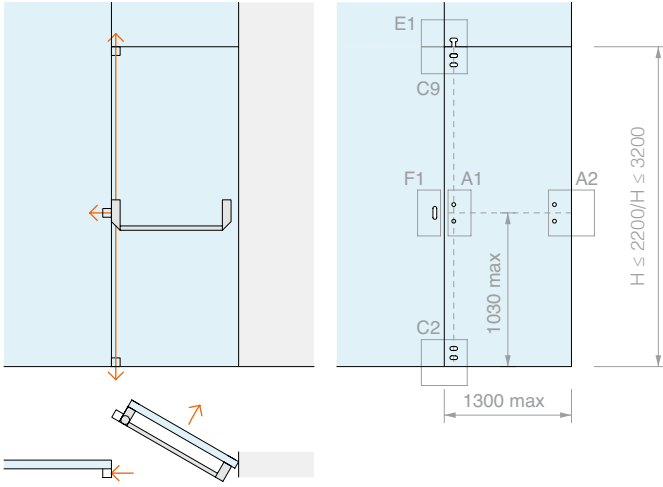
**SINGLE DOOR PANIC BAR KIT
WITHOUT EXTERNAL HANDLE, WITH BOLT LATCHES, TRANSOM AND FIXED GLASS**

10/15

Material: Aluminium, Steel, Zamak

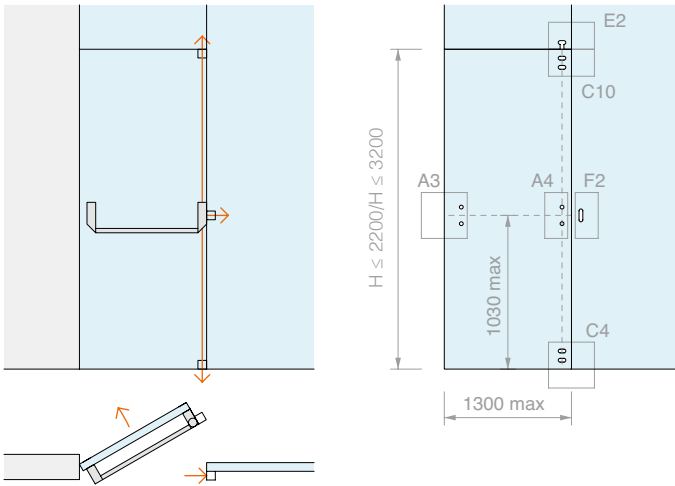
Finish: /56 /83

REVERSIBLE EXTERNAL OPENING

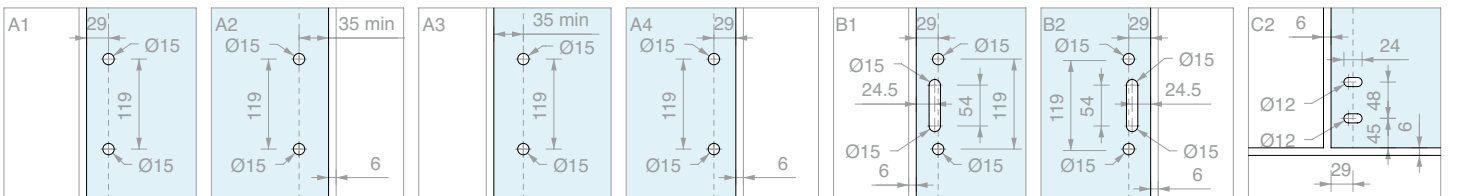


Kit comprising:

Art.	Description	Qty
MAP101-BOLT	Latch/levers/cover/latch bolt	1 Pc
MAP103	Oval horizontal bar	1 Pc
MAP107	Pair of striker plates for push bars without control	1 Pc
MAP113 /	Pair of Bolt latches - H 2200 mm	1 Pc
MAP114	Pair of Bolt latches - H 3200 mm	
MAP115 /	Pair of Bolt strike plates - H 2200 mm	1 Pc
MAP116	Pair of Bolt strike plates - H 3200 mm	
MAP117	Side strike plate for fixed glass	1 Pc
MAP119	Upper strike plate for Bolt latch	1 Pc



Art.	H max door	Qty
MAP-E220	2200 mm	1 Pc
MAP-E320	3200 mm	1 Pc





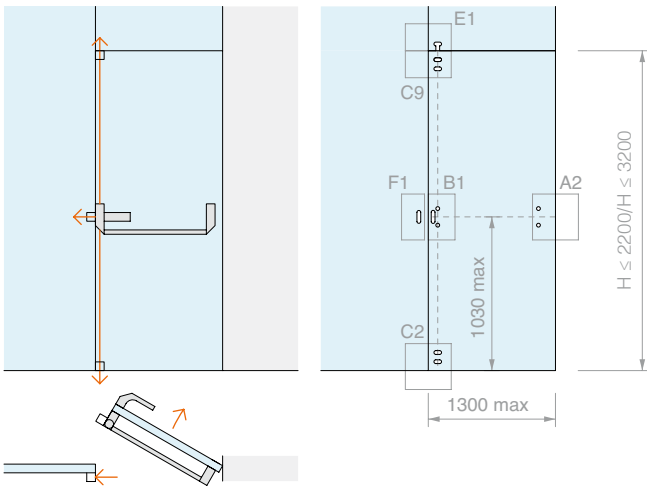
**SINGLE DOOR PANIC BAR KIT
WITH EXTERNAL HANDLE, BOLT LATCHES, TRANSOM AND FIXED GLASS**

10/15

Material: Aluminium, Steel, Zamak

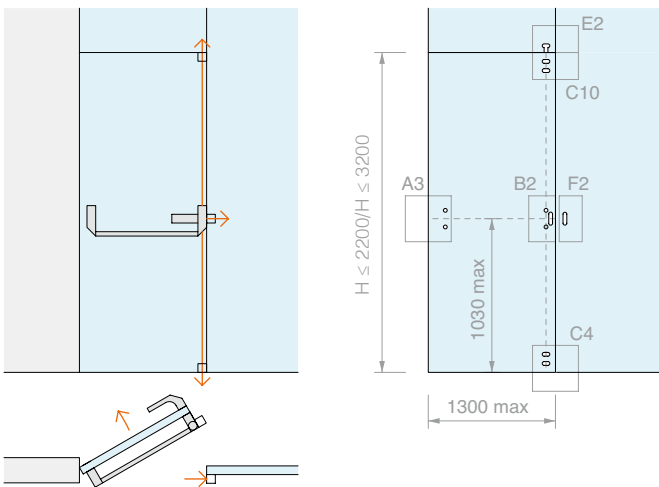
Finish: /56 /83

LEFT EXTERNAL OPENING

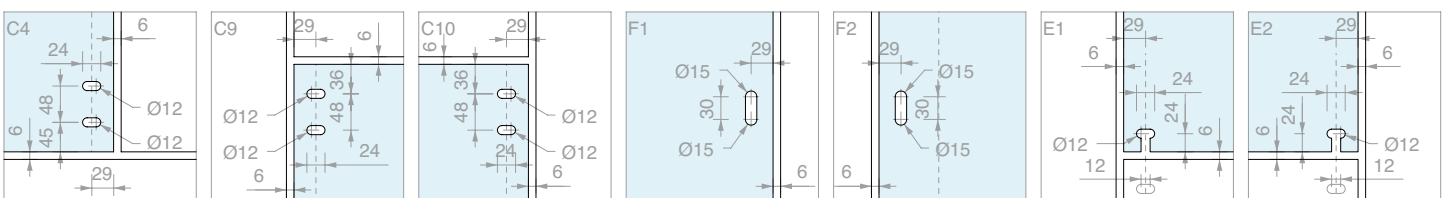


Art.	H max door	Version	Qty
MAP-E220MSX	2200 mm	Left	1 Pc
MAP-E320MSX	3200 mm	Left	1 Pc

RIGHT EXTERNAL OPENING



Art.	H max door	Version	Qty
MAP-E220MDX	2200 mm	Right	1 Pc
MAP-E320MDX	3200 mm	Right	1 Pc



Kit comprising:

Art.	Description	Qty
MAP101-BOLT	Latch/levers/cover/latch bolt	1 Pc
MAP103	Oval horizontal bar	1 Pc
MAP117	Side strike plate for fixed glass	1 Pc
MAP113 /	Pair of Bolt latches - H 2200 mm	1 Pc
MAP114	Pair of Bolt latches - H 3200 mm	
MAP115 /	Pair of Bolt strike plates - H 2200 mm	1 Pc
MAP116	Pair of Bolt strike plates - H 3200 mm	
MAP119	Upper strike plate for Bolt latch	1 Pc
MAP105	External handle	1 Pc
MAP111	Left external control	1 Pc

Kit comprising:

Art.	Description	Qty
MAP101-BOLT	Latch/levers/cover/latch bolt	1 Pc
MAP103	Oval horizontal bar	1 Pc
MAP117	Side strike plate for fixed glass	1 Pc
MAP113 /	Pair of Bolt latches - H 2200 mm	1 Pc
MAP114	Pair of Bolt latches - H 3200 mm	
MAP115 /	Pair of Bolt strike plates - H 2200 mm	1 Pc
MAP116	Pair of Bolt strike plates - H 3200 mm	
MAP119	Upper strike plate for Bolt latch	1 Pc
MAP105	External handle	1 Pc
MAP109	Right external control	1 Pc



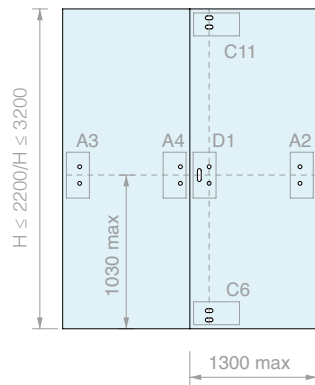
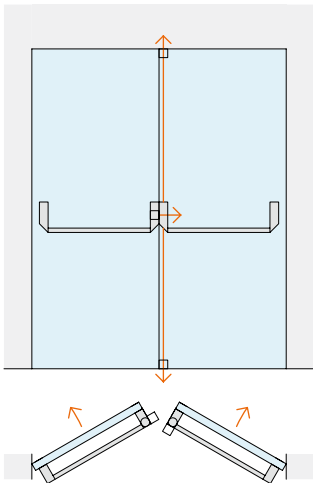
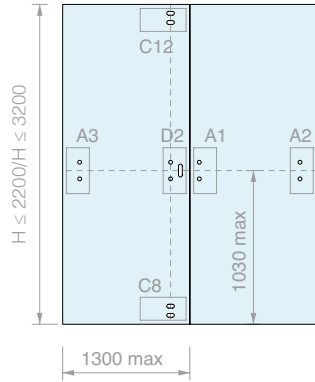
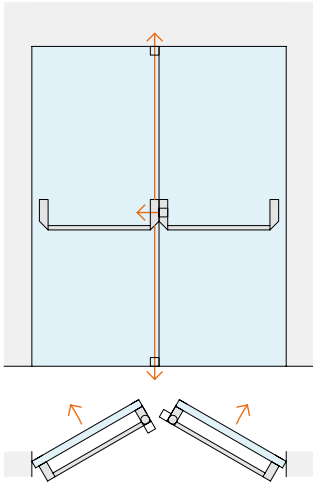
**DOUBLE DOOR PANIC BAR KIT
BOLT LATCHES ON ONE DOOR, WITHOUT EXTERNAL HANDLE**

10/15

Material: Aluminium, Steel, Zamak

Finish: /56 /83

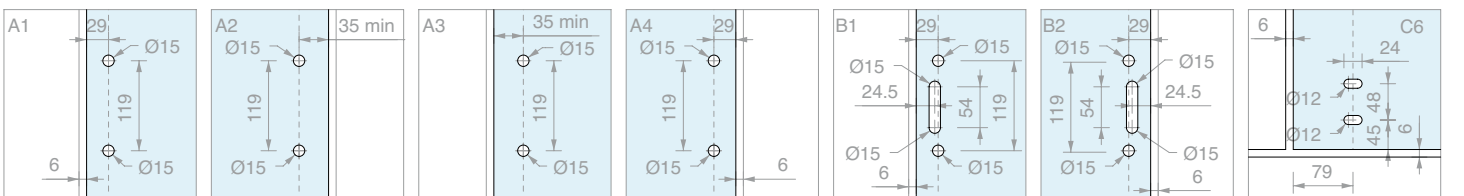
REVERSIBLE EXTERNAL OPENING



Kit comprising:

Art.	Description	Qty
MAP101-BOLT	Latch/levers/cover/latch bolt	1 Pc
MAP101	Latch/levers/cover	1 Pc
MAP103	Oval horizontal bar	2 Pcs
MAP107	Pair of striker plates for push bars without control	2 Pcs
MAP113 /	Pair of Bolt latches - H 2200 mm	1 Pc
MAP114	Pair of Bolt latches - H 3200 mm	1 Pc
MAP115 /	Pair of Bolt strike plates - H 2200 mm	1 Pc
MAP116	Pair of Bolt strike plates - H 3200 mm	1 Pc
MAP117	Side strike plate for fixed glass	1 Pc

Art.	H max door	Qty
MAP-F220	2200 mm	1 Pc
MAP-F320	3200 mm	1 Pc





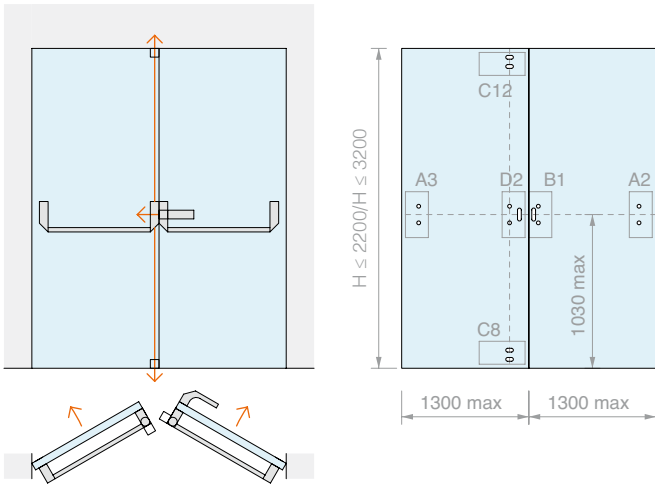
**DOUBLE DOOR PANIC BAR KIT
BOLT LATCHES ON ONE DOOR AND EXTERNAL HANDLE**

10/15

Material: Aluminium, Steel, Zamak

Finish: /56 /83

LEFT EXTERNAL OPENING

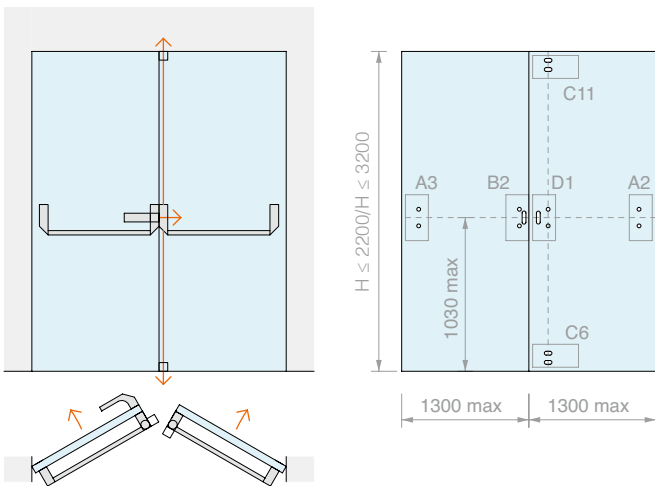


Art.	H max door	Version	Qty
MAP-F220MSX	2200 mm	Left	1 Pc
MAP-F320MSX	3200 mm	Left	1 Pc

Kit comprising:

Art.	Description	Qty
MAP101-BOLT	Latch/levers/cover/latch bolt	1 Pc
MAP101	Latch/levers/cover	1 Pc
MAP103	Oval horizontal bar	2 Pcs
MAP107	Pair of striker plates for push bars without control	1 Pc
MAP113 /	Pair of Bolt latches - H 2200 mm	1 Pc
MAP114	Pair of Bolt latches - H 3200 mm	1 Pc
MAP115 /	Pair of Bolt strike plates - H 2200 mm	1 Pc
MAP116	Pair of Bolt strike plates - H 3200 mm	1 Pc
MAP117	Side strike plate for fixed glass	1 Pc
MAP105	External handle	1 Pc
MAP111	Left external control	1 Pc

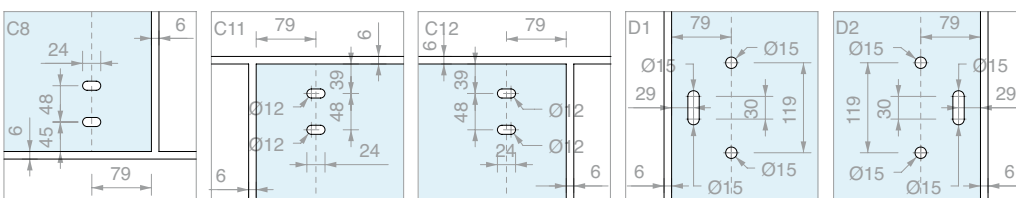
RIGHT EXTERNAL OPENING



Art.	H max door	Version	Qty
MAP-F220MDX	2200 mm	Right	1 Pc
MAP-F320MDX	3200 mm	Right	1 Pc

Kit comprising:

Art.	Description	Qty
MAP101-BOLT	Latch/levers/cover/latch bolt	1 Pc
MAP101	Latch/levers/cover	1 Pc
MAP103	Oval horizontal bar	2 Pcs
MAP107	Pair of striker plates for push bars without control	1 Pc
MAP113 /	Pair of Bolt latches - H 2200 mm	1 Pc
MAP114	Pair of Bolt latches - H 3200 mm	1 Pc
MAP115 /	Pair of Bolt strike plates - H 2200 mm	1 Pc
MAP116	Pair of Bolt strike plates - H 3200 mm	1 Pc
MAP117	Side strike plate for fixed glass	1 Pc
MAP105	External handle	1 Pc
MAP109	Right external control	1 Pc





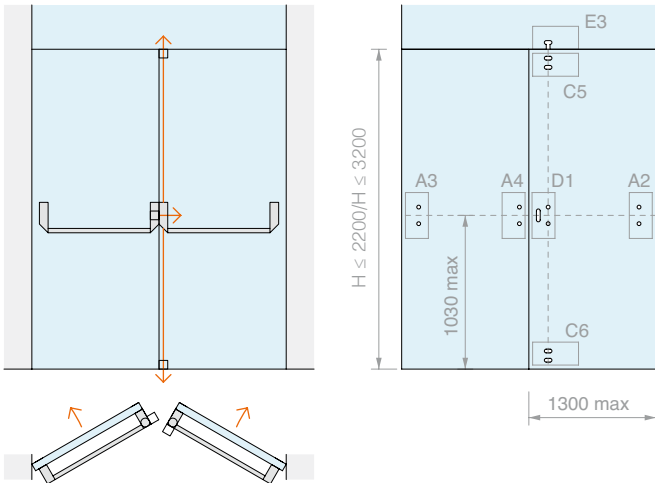
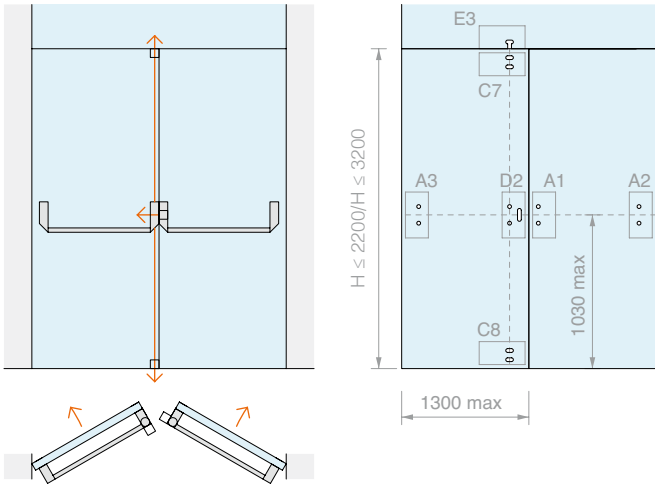
**DOUBLE DOOR PANIC BAR KIT
BOLT LATCHES ON ONE DOOR AND TRANSOM, WITHOUT EXTERNAL HANDLE**

10/15

Material: Aluminium, Steel, Zamak

Finish: /56 /83

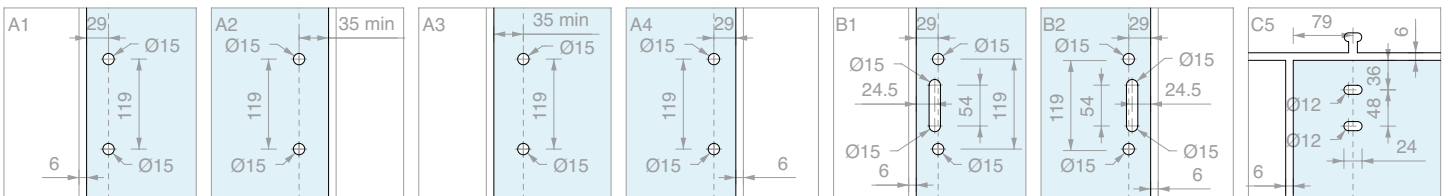
REVERSIBLE EXTERNAL OPENING



Kit comprising:

Art.	Description	Qty
MAP101-BOLT	Latch/levers/cover/latch bolt	1 Pc
MAP101	Latch/levers/cover	1 Pc
MAP103	Oval horizontal bar	2 Pcs
MAP107	Pair of striker plates for push bars without control	2 Pcs
MAP113 /	Pair of Bolt latches - H 2200 mm	1 Pc
MAP114	Pair of Bolt latches - H 3200 mm	1 Pc
MAP115 /	Pair of Bolt strike plates - H 2200 mm	1 Pc
MAP116	Pair of Bolt strike plates - H 3200 mm	1 Pc
MAP117	Side strike plate for fixed glass	1 Pc
MAP119	Upper strike plate for Bolt latch	1 Pc

Art.	H max door	Qty
MAP-G220	2200 mm	1 Pc
MAP-G320	3200 mm	1 Pc





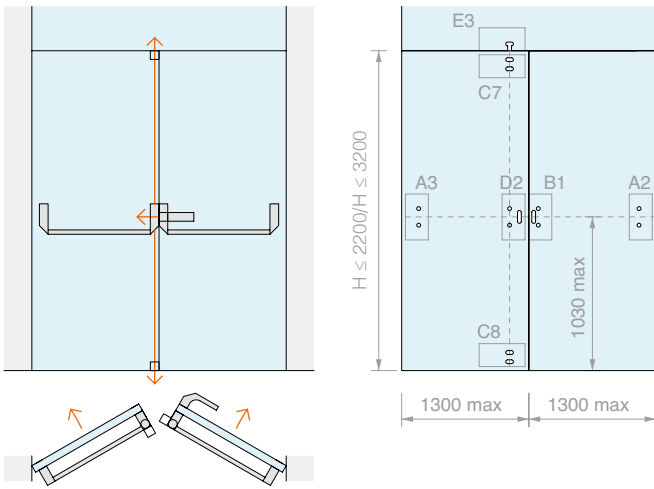
**DOUBLE DOOR PANIC BAR KIT
BOLT LATCHES ON ONE DOOR, TRANSOM AND EXTERNAL HANDLE**

10/15

Material: Aluminium, Steel, Zamak

Finish: /56 /83

LEFT EXTERNAL OPENING

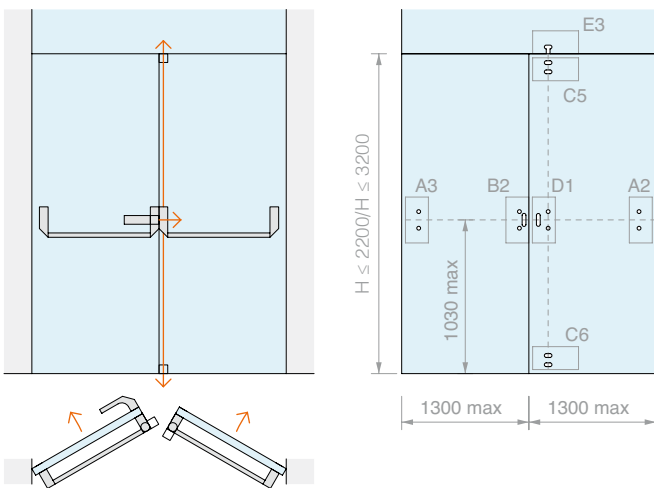


Art.	H max door	Version	Qty
MAP-G220MSX	2200 mm	Left	1 Pc
MAP-G320MSX	3200 mm	Left	1 Pc

Kit comprising:

Art.	Description	Qty
MAP101-BOLT	Latch/levers/cover/latch bolt	1 Pc
MAP101	Latch/levers/cover	1 Pc
MAP103	Oval horizontal bar	2 Pcs
MAP107	Pair of striker plates for push bars without control	1 Pc
MAP113 /	Pair of Bolt latches - H 2200 mm	1 Pc
MAP114	Pair of Bolt latches - H 3200 mm	1 Pc
MAP115 /	Pair of Bolt strike plates - H 2200 mm	1 Pc
MAP116	Pair of Bolt strike plates - H 3200 mm	1 Pc
MAP117	Side strike plate for fixed glass	1 Pc
MAP119	Upper strike plate for Bolt latch	1 Pc
MAP105	External handle	1 Pc
MAP111	Left external control	1 Pc

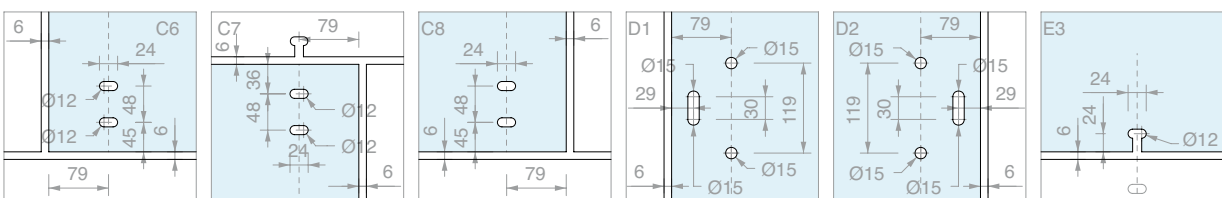
RIGHT EXTERNAL OPENING



Art.	H max door	Version	Qty
MAP-G220MDX	2200 mm	Right	1 Pc
MAP-G320MDX	3200 mm	Right	1 Pc

Kit comprising:

Art.	Description	Qty
MAP101-BOLT	Latch/levers/cover/latch bolt	1 Pc
MAP101	Latch/levers/cover	1 Pc
MAP103	Oval horizontal bar	2 Pcs
MAP107	Pair of striker plates for push bars without control	1 Pc
MAP113 /	Pair of Bolt latches - H 2200 mm	1 Pc
MAP114	Pair of Bolt latches - H 3200 mm	1 Pc
MAP115 /	Pair of Bolt strike plates - H 2200 mm	1 Pc
MAP116	Pair of Bolt strike plates - H 3200 mm	1 Pc
MAP117	Side strike plate for fixed glass	1 Pc
MAP119	Upper strike plate for Bolt latch	1 Pc
MAP105	External handle	1 Pc
MAP109	Right external control	1 Pc





**PANIC BAR
FOR FIXED GLASS FROM 8 TO 13.5 mm**

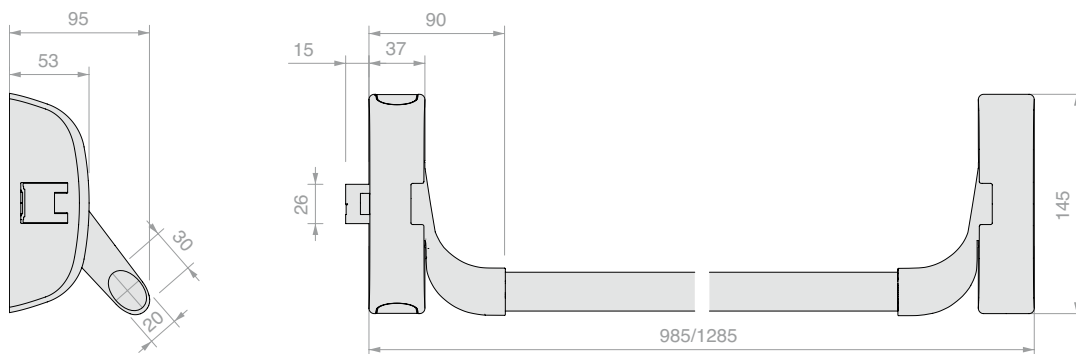
Material: AISI 304 stainless steel internal mechanism and cover in aluminium with PVD treatment - Finish: /83
Galvanised steel internal mechanism and painted aluminium cover - Finish: /56

Panic bar featuring materials and technical solutions that ensure compliance with the most severe requirements of standards, including CE marking as per CPR 305/2011; and voluntary product certification issued by third party ICIM specified by standard UNI EN 1125. Version supplied with self-locking side latch with exclusion option.

The bar can be combined with a pair of UP/DOWN latches with BOLT-type tips - Art. MAP113/MAP114

Stainless steel bar, can be shortened as shown in the instructions supplied with the Kit.

Thickness of the glass with screws included 10/15 mm.



Art.	Description	Dimensions	Qty
MAP101	Side latch + Levers + Cover	L max 1285 x H 145 x P 95 mm	1 Pc
MAP101-BOLT	Side latch + Levers + Cover + Accessories for latch	L max 1285 x H 145 x P 95 mm	1 Pc
MAP103	Oval horizontal bar	L max 1130 mm	1 Pc



EXTERNAL HANDLE

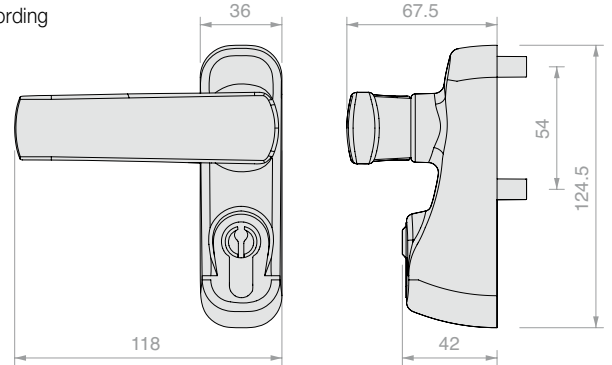
Material: Galvanised steel internal mechanism and cover in aluminium with PVD treatment

Finish: /83

Material: Galvanised steel internal mechanism and painted aluminium cover

Finish: /56

For use with Art. MAP109/MAP111 according to the direction of opening



Art.	Qty
MAP105	1 Pc

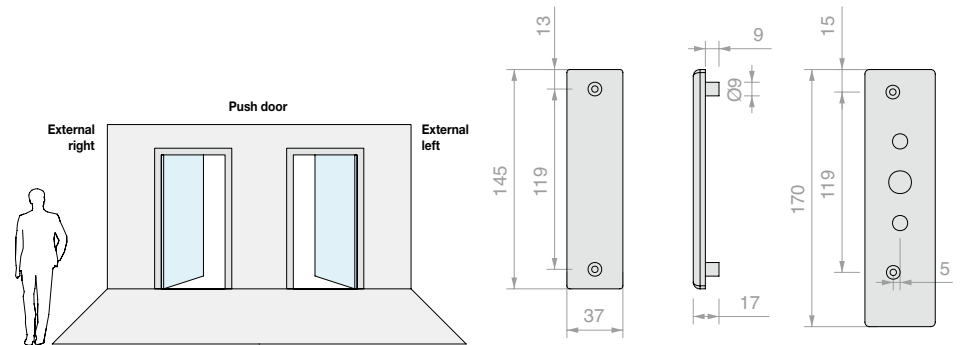


GLASS KIT FOR PANIC BARS WITH EXTERNAL CONTROL

Material: Zamak

Kit for fitting the panic bar (Art. MAP101 and MAP101-BOLT) on panes of glass with external control (handle) for right external opening (Art. MAP109) and left external opening (Art. MAP111).

Finish: /83



Art.	Opening	Qty
MAP109	External right	1 Pc
MAP111	External left	1 Pc

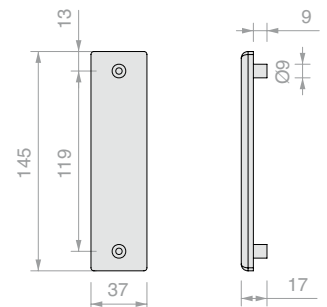


GLASS KIT FOR PANIC BARS WITHOUT EXTERNAL CONTROL

Material: Zamak

Installation kit for panic bar (Art. MAP101 and MAP101-BOLT) on panes of glass without external control (handle).

Finish: /83



Art.	Qty
MAP107	1 Pc



ELECTRICAL WALL STRIKE PLATE

Material: Galvanised steel internal mechanism and cover in aluminium with PVD treatment

Finish: /83

Material: Galvanised steel internal mechanism and painted aluminium cover

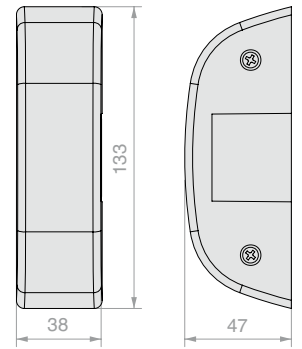
Finish: /56

Electric wall strike plate (not compatible with glass/glass systems)

Electric latch = 10 mm from wall

Art. MAP123 provides the electric strike plate in grey only;

for the PVD PAINTED STEEL finish, order separately Art. MAP125



Art.	Description	Qty
MAP123	Electric wall strike plate	1 Pc
MAP125	Brushed steel PVD finish cover for electric strike plate	1 Pc



PAIR OF LATCHES FOR BOLT LOCK

Material: aluminium cover

Latches for BOLT up/down lock, for use with panic bar (Art. MAP101-BOLT). The BOLT system (patented) is very highly resistant to external attacks: it is tamper-resistant (the rods are self-locking and the tips, 14 mm in diameter, rotate and are cut-resistant) and it is very highly resistant to being forced.

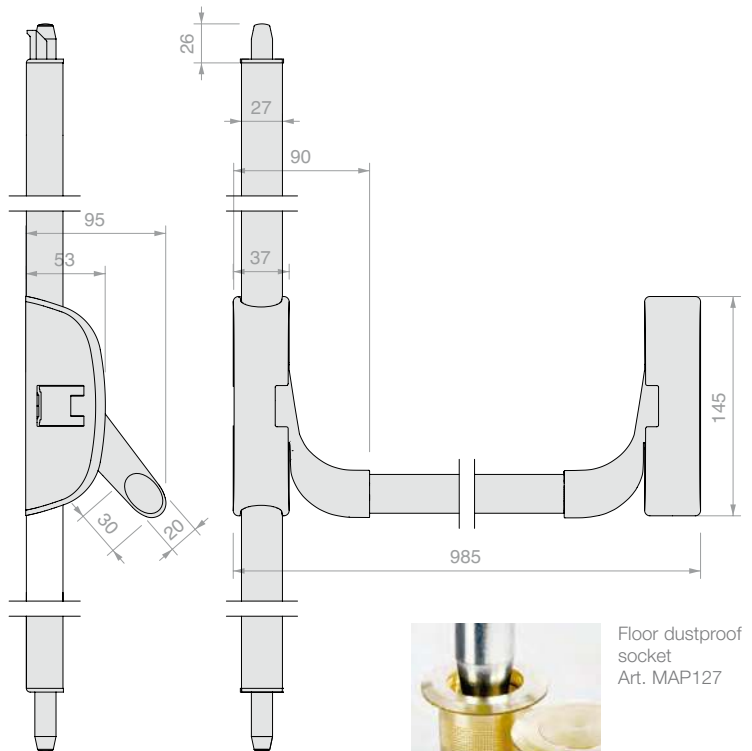
Finish: /56 /83



Security and ease to install. The pins are independent, self-locking, adjustable and resistant to being forced.



Self-closing system. When open, the rods are retracted. On closing, they lock on contact with the plate.



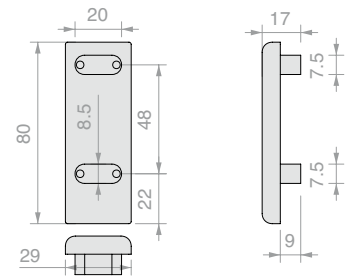
Floor dustproof socket Art. MAP127

Art.	Description	Dimensions	Qty
MAP113	Pair of latches	Up to H 2200 mm	1 Pc
MAP114	Pair of latches	From H 2200 to H 3200 mm	1 Pc
MAP127	Floor dustproof socket		1 Pc



GLASS KIT FOR ADDITIONAL "BOLT" LOCKS

Material: Zamak
 Kit for fitting the additional
 BOLT locks (Art. MAP113/MAP114)
 Finish: /83

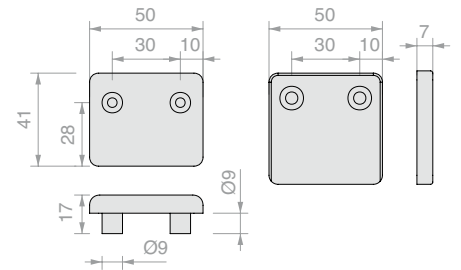


Art.	Dimensions	Qty
MAP115	H 2200 mm	1 Pc
MAP116	H 3200 mm	1 Pc



GLASS KIT FOR SIDE PLATE

Material: Zamak
 Kit for panic bar side lock strike plate
 (Art. MAP101 and MAP101-BOLT)
 Finish: /83

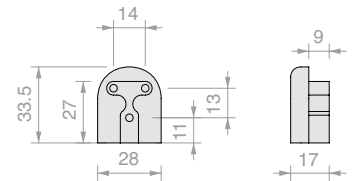


Art.	Qty
MAP117	1 Pc



GLASS KIT FOR UPPER ADJUSTABLE BOLT PLATE

Material: Zamak
 Accessory for transom, allows the self-closing system to lock on contact
 with the rods (Art. MAP113 and MAP114)
 Finish: /83



Art.	Qty
MAP119	1 Pc



KIT FOR DOGGING DEVICE FUNCTION

To be inserted into the panic bar support (Art. MAP101 and MAP101-BOLT)
 to inhibit the latch and use the door freely.
 Finish: /95

Art.	Qty
MAP121	1 Pc





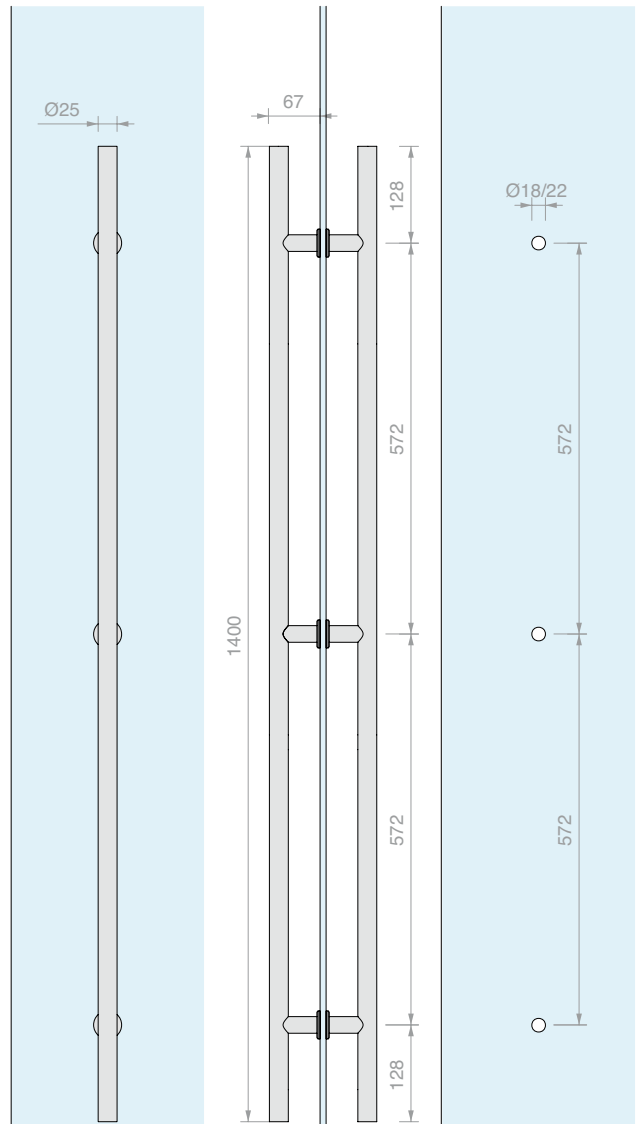
PULL HANDLES WITH CONCEALED LOCK

Material: AISI 304 stainless steel

Pull handle with a lock at the top of the bar which is locked by pressing the cylinder with the key inserted. Supplied with external lock. If an internal lock is required, specify at the time of ordering. Pin Ø8 x 15 mm.

Finish: /8 /15*

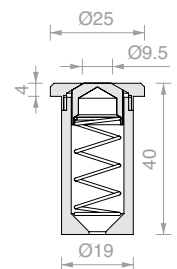
*on demand



Art.	Description	Key	For glass	Qty
ZSS1400	Pair of pull handles	Different	From 8 to 21.5 mm	1 Pc
ZMMS1400	Single pull handle	Different	From 8 to 21.5 mm	1 Pc
ZSS1400U	Pair of pull handles	Single	From 8 to 21.5 mm	1 Pc
ZMMS1400U	Single pull handle	Single	From 8 to 21.5 mm	1 Pc

DUSTPROOF SOCKET

Finish: /1 /3



Art.	Q.ty
GL7300	1 Pc



pba

LOGLI is the official distributor of all PBA products. Certain solutions featuring the most commonly requested designs and functionalities are available for immediate delivery.

And any PBA product is available on demand.



SQUARE PULL HANDLES WITH CONCEALED LOCK

Material: AISI 316 L stainless steel

With 3 keys and floor dustproof socket.

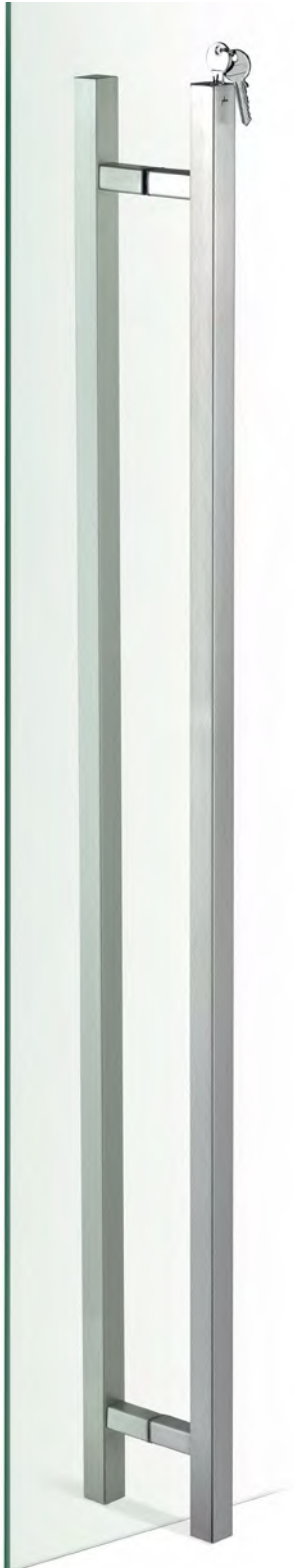
Double fixing Art. PBAAD81 or single fixing Art. PBAAS11 on glass to be ordered separately

Different key.

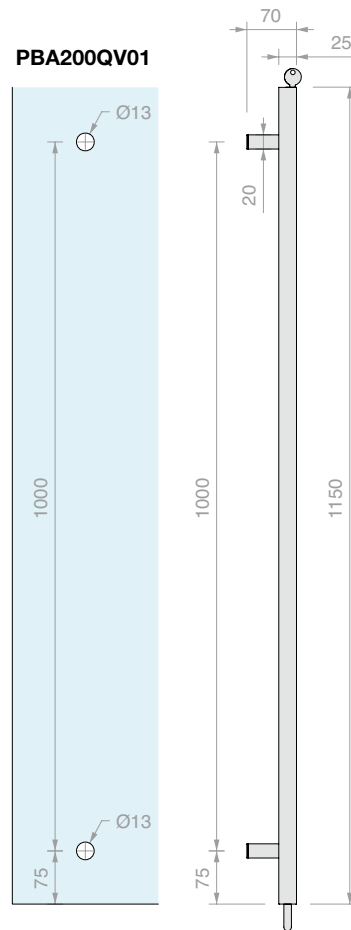
Pin Ø12 x 20 mm

Finish*: /8 /15

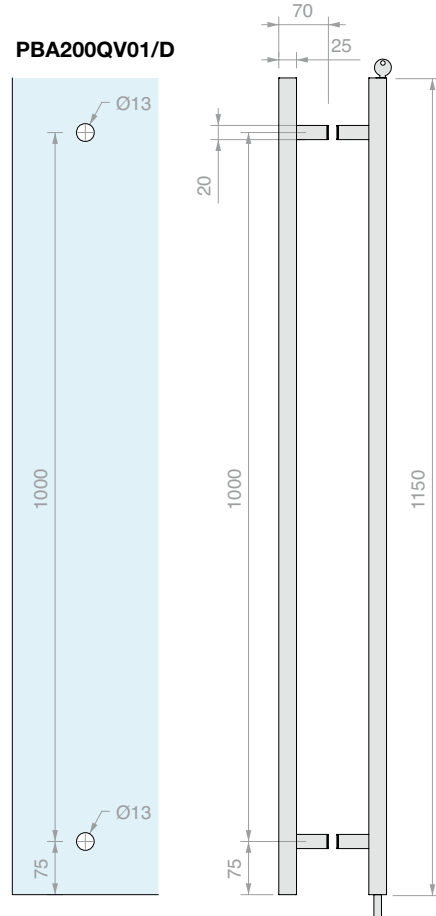
*/15 only on demand



PBA200QV01



PBA200QV01/D



Art.	Description	Locking	For glass	Qty
PBA200QV01	Single pull handle	Lower pin	From 8 to 17.5 mm	1 Pc
PBA200QV01/D	Pair of pull handles	Lower pin	From 8 to 17.5 mm	1 Pc

**PAIR OF SQUARE PULL HANDLES WITH FLUSH FRONT LOCK AND INTERNAL DOOR KNOB**

Material: AISI 316 L stainless steel

With 3 keys and floor dustproof socket.

Different key

Pin Ø12 x 20 mm

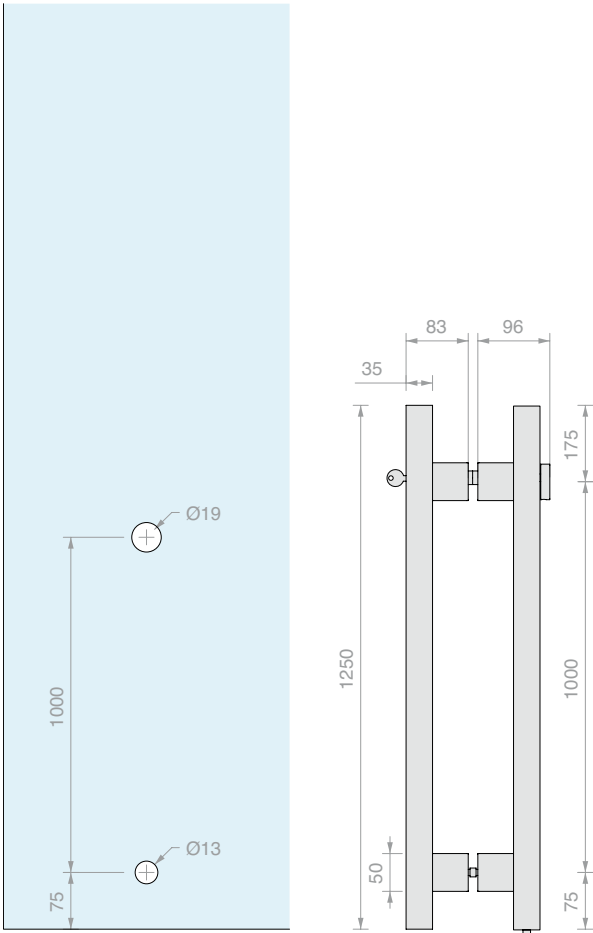
Finish*: /8 /15

*/15 only on demand

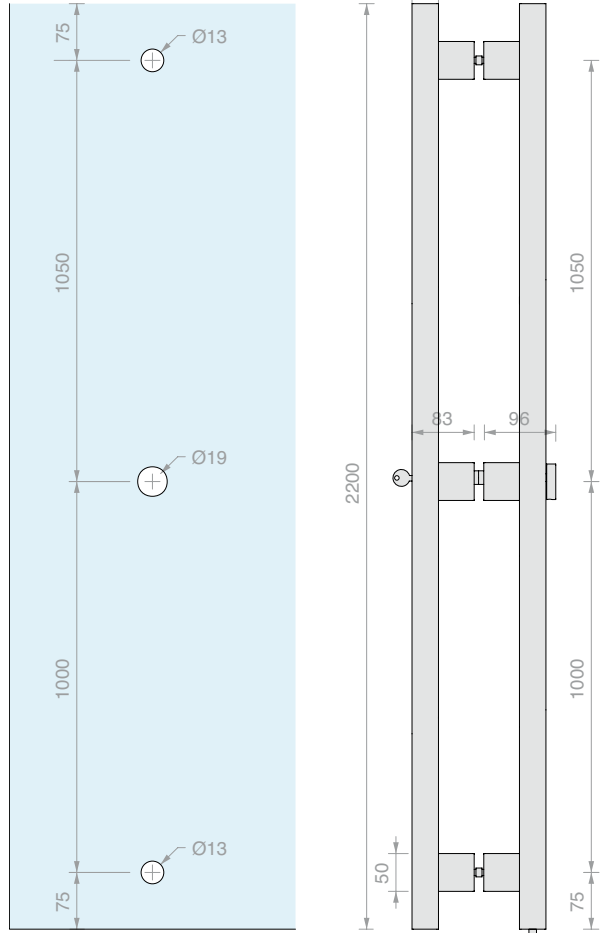
Art.	Length	Locking	For glass	Qty
PBA200QY02	1250 mm	Lower pin	From 8 to 17.5 mm	1 Pc
PBA200QY04	2200 mm	Lower pin	From 8 to 17.5 mm	1 Pc
PBA200QY04/A	customised	Lower pin	From 8 to 17.5 mm	1 Pc
PBA200QY06/A	customised	Upper and lower pin	From 8 to 17.5 mm	1 Pc



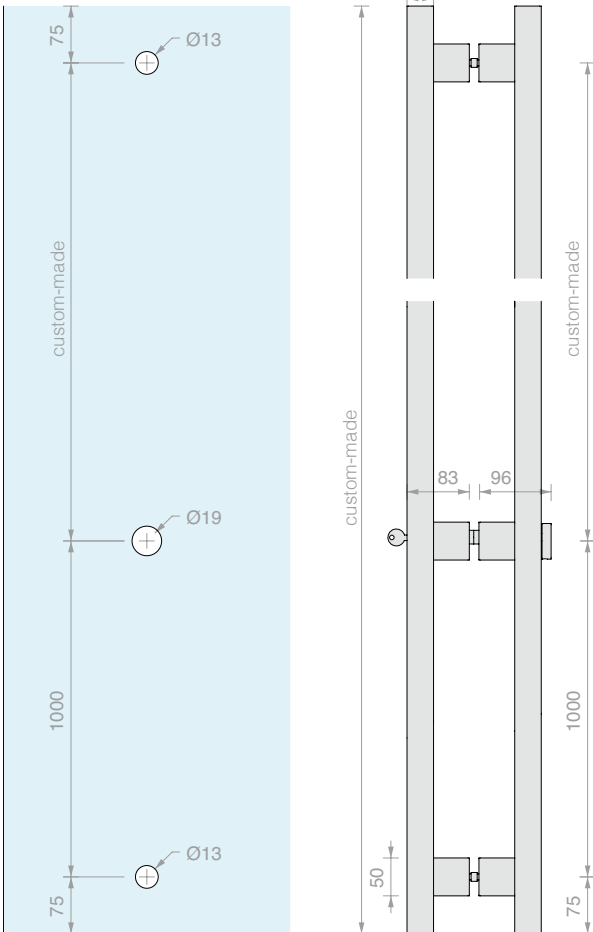
PBA200QY02



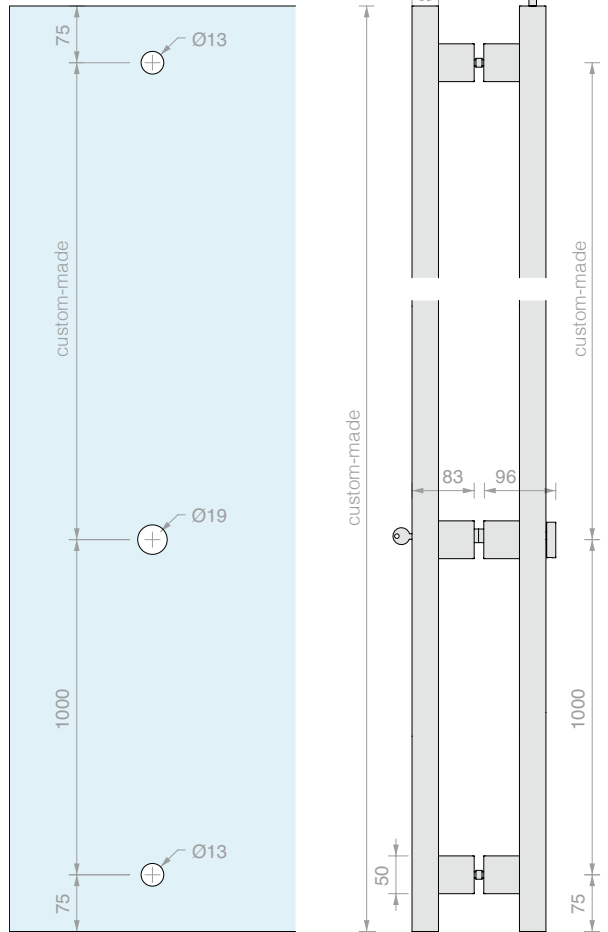
PBA200QY04



PBA200QY04/A



PBA200QY06/A



**PAIR OF ROUND PULL HANDLES WITH FLUSH FRONT LOCK AND INTERNAL DOOR KNOB**

Material: AISI 316 L stainless steel

With 3 keys and floor dustproof socket.

Different key

Pin Ø12 x 20 mm

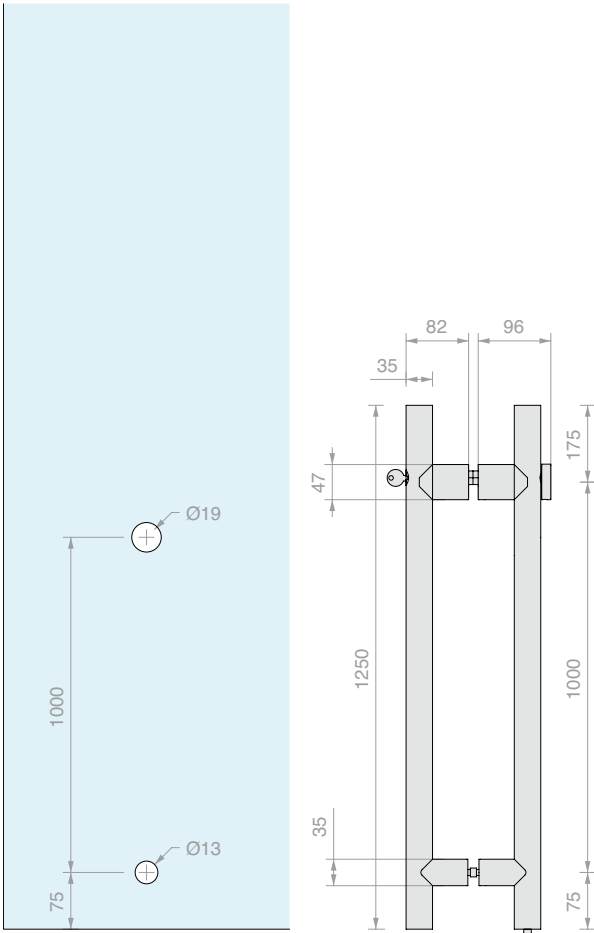
Finish*: /8 /15

*/15 only on demand

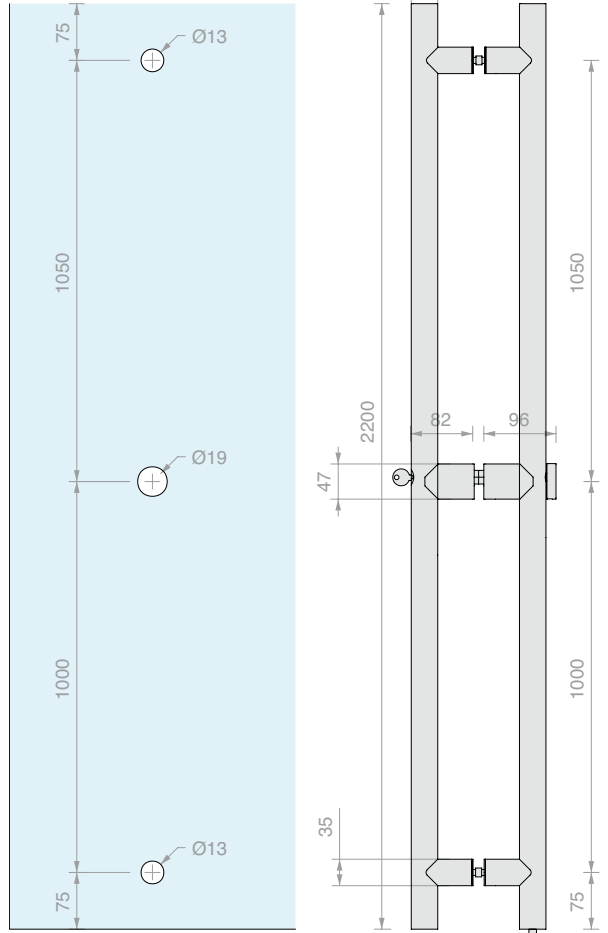
Art.	Length	Locking	For glass	Qty
PBA200Y002	1250 mm	Lower pin	From 8 to 17.5 mm	1 Pc
PBA200Y004	2200 mm	Lower pin	From 8 to 17.5 mm	1 Pc
PBA200Y004/A	customised	Lower pin	From 8 to 17.5 mm	1 Pc
PBA200Y006/A	customised	Upper and lower pin	From 8 to 17.5 mm	1 Pc



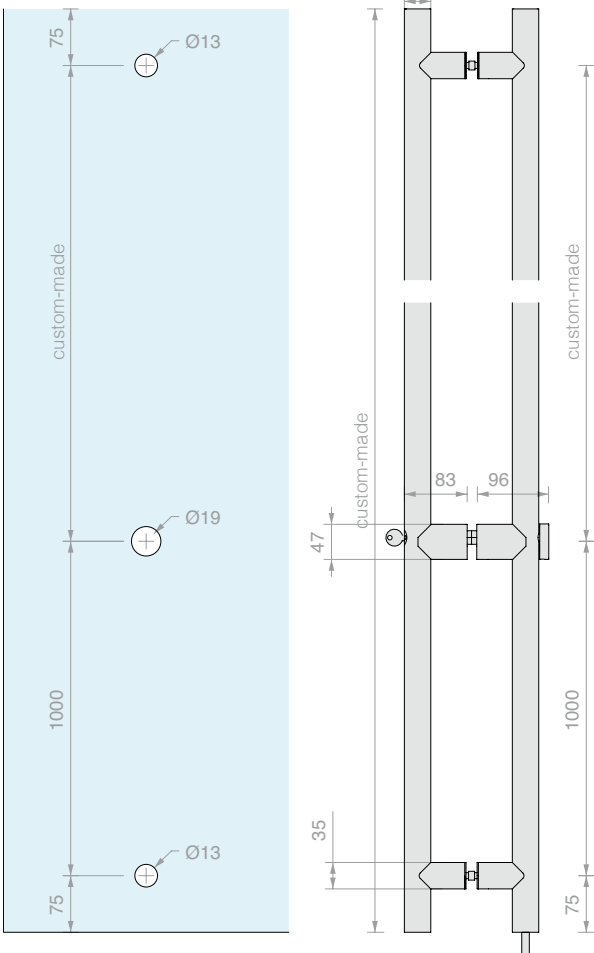
PBA200Y002



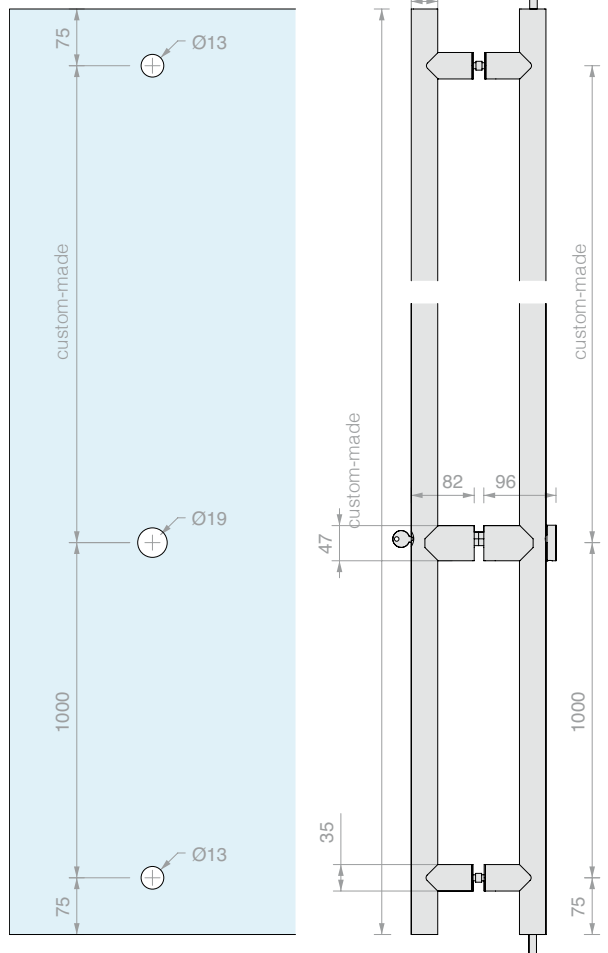
PBA200Y004



PBA200Y004/A



PBA200Y006/A



**PAIR OF ROUND PULL HANDLES WITH FLUSH FRONT LOCK AND INTERNAL DOOR KNOB**

Material: Aluminium

With 3 keys and floor dustproof socket.

Different key

Pin Ø12 x 20 mm

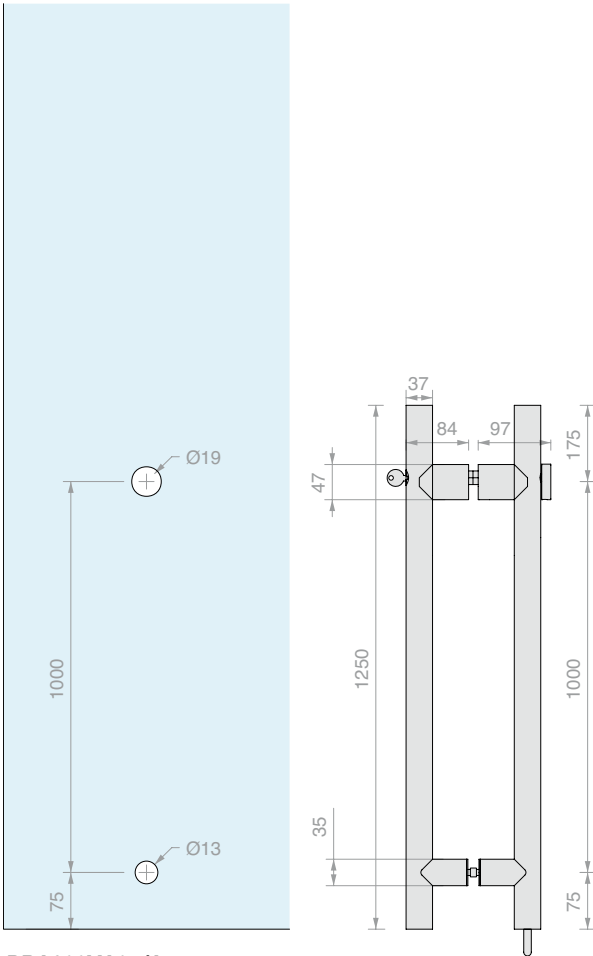
Finish*: /6 /66 /67 /97

*/66, /67 only on demand

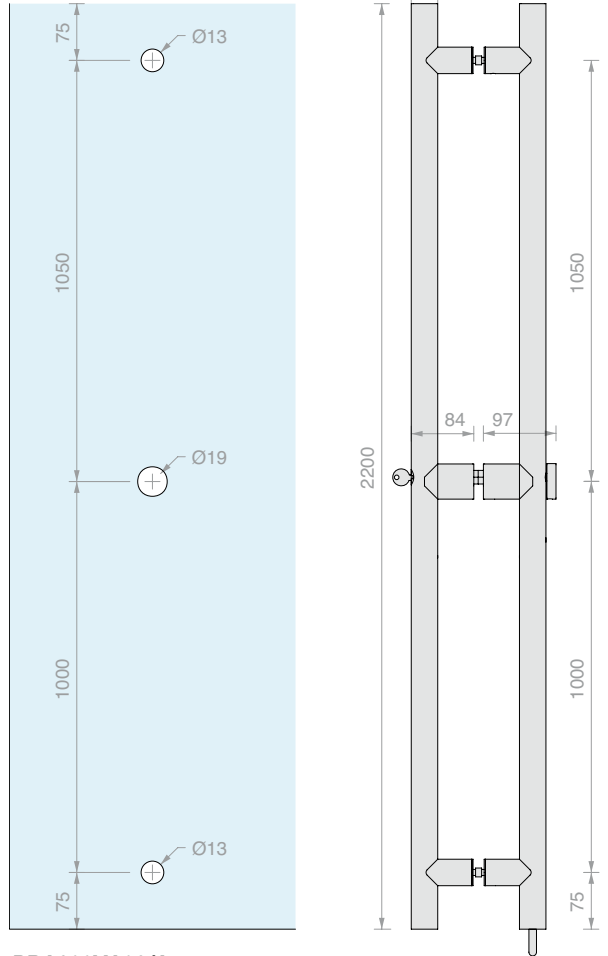
Art.	Length	Locking	For glass	Qty
PBA200YA02	1250 mm	Lower pin	From 8 to 17.5 mm	1 Pc
PBA200YA04	2200 mm	Lower pin	From 8 to 17.5 mm	1 Pc
PBA200YA04/A	customised	Lower pin	From 8 to 17.5 mm	1 Pc
PBA200YA06/A	customised	Upper and lower pin	From 8 to 17.5 mm	1 Pc



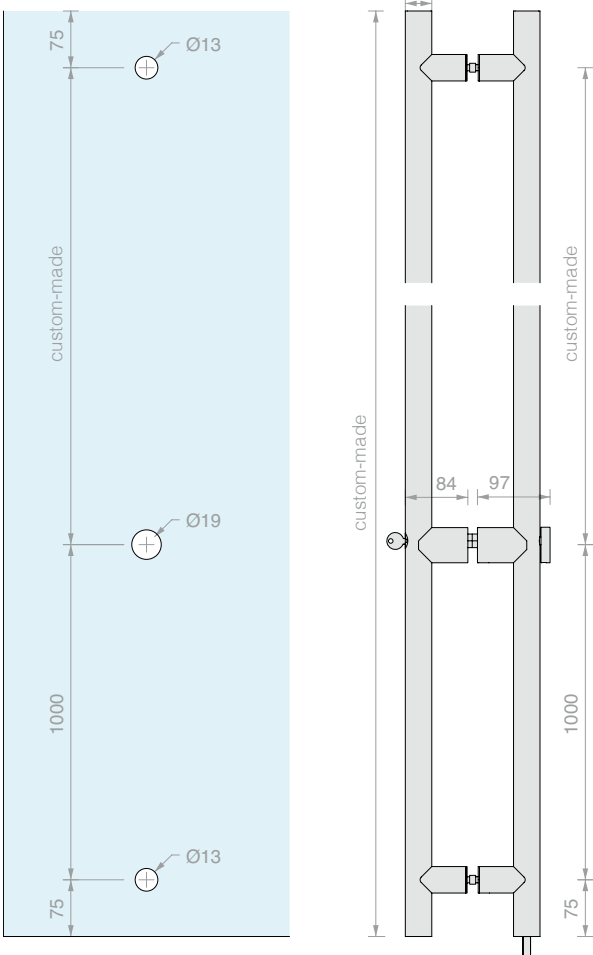
PBA200YA02



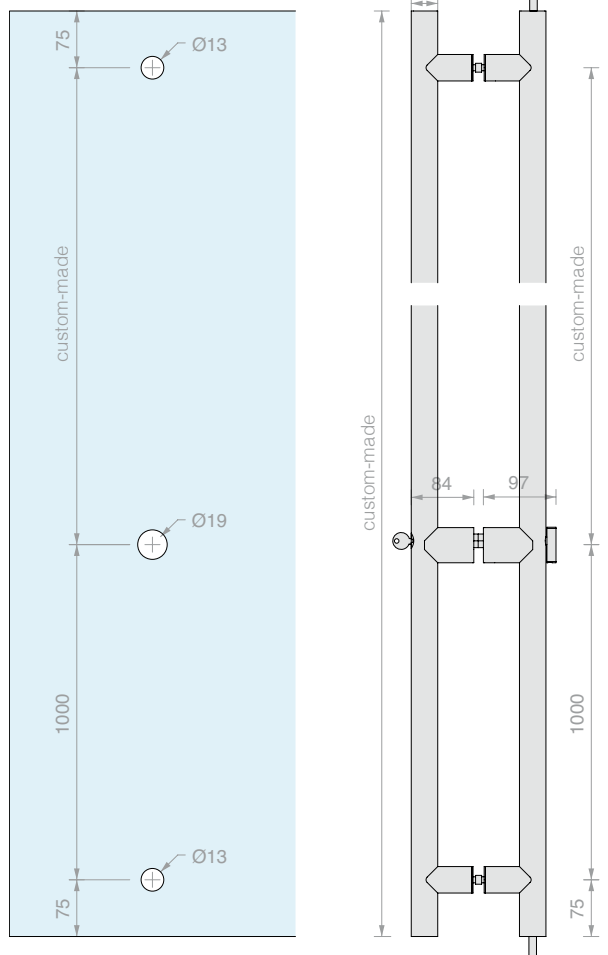
PBA200YA04



PBA200YA04/A



PBA200YA06/A





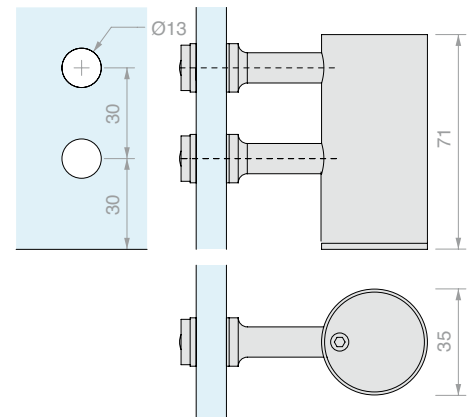
ROUND GLASS STRIKE PLATE

Material: AISI 316 L stainless steel

For PBA pull handles

Finish: /8 /15*

*on demand



Art.	For glass	Qty
PBA200CK	From 8 to 17.5 mm	1 Pc



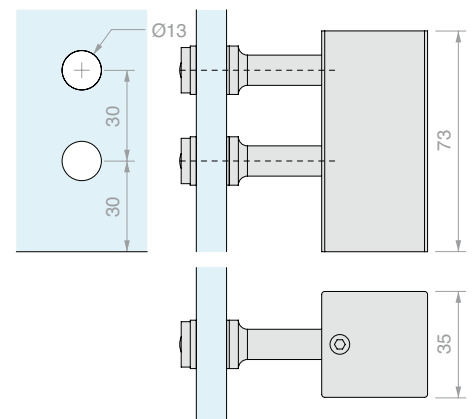
SQUARE UPPER GLASS STRIKE PLATE

Material: AISI 316 L stainless steel

For PBA pull handles

Finish: /8 /15*

*on demand



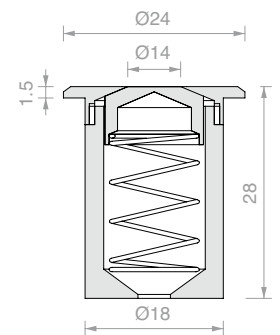
Art.	For glass	Qty
PBA200CKQ	From 8 to 17.5 mm	1 Pc



DUSTPROOF SOCKET

Material: Brass

Finish*: /95



Art.	Qty
PBA200CSK	1 Pc

**DOUBLE FIXING ON GLASS**

For pull handle PBA200QV01/D

Glass hole Ø13 mm

Art.

Qty

PBAAD81

1 Pc

**DOUBLE FIXING ON WOOD, ALUMINIUM AND PVC**

For pull handle PBA200QV01/D

Door hole Ø9 mm

Art.

Qty

PBA71

1 Pc

**SINGLE FIXING ON GLASS**

For pull handle PBA200QV01

Glass hole Ø13 mm

Finish*: /8 /15

*/15 only on demand

Art.

Qty

PBAAS11

1 Pc

**SINGLE BLIND FIXING ON WOOD, ALUMINIUM, PVC**

For pull handle PBA200QV01

Finish*: /8 /15

*/15 only on demand

Art.

Qty

PBA911

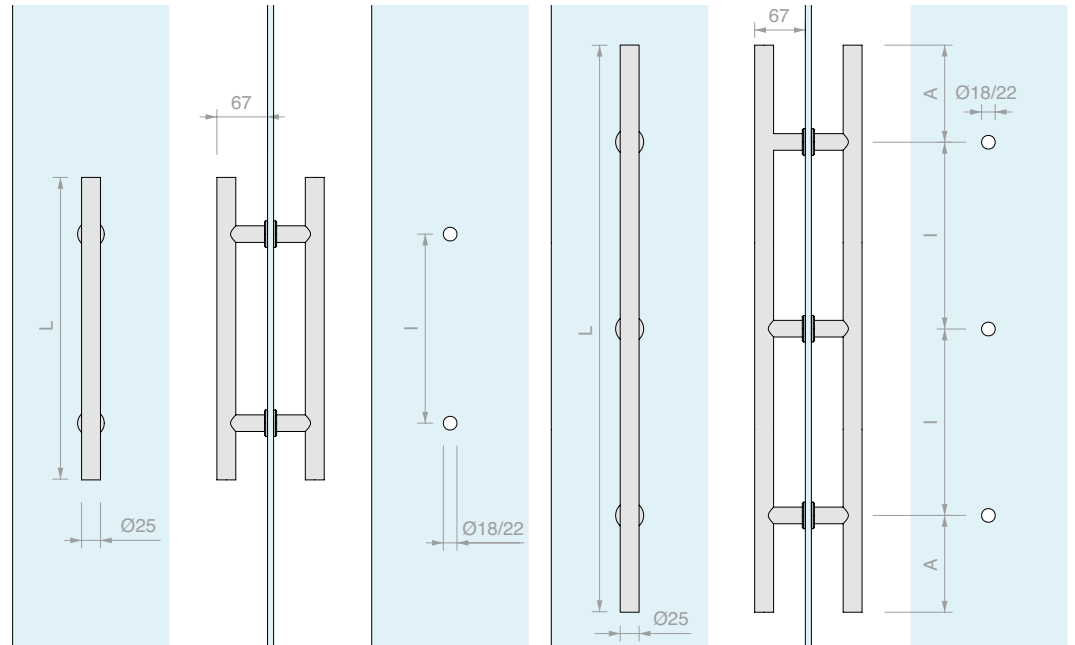
1 Pc



PAIR OF ROUND PULL HANDLES

Material: AISI 304 stainless steel

Finish: /8 - On demand: /15



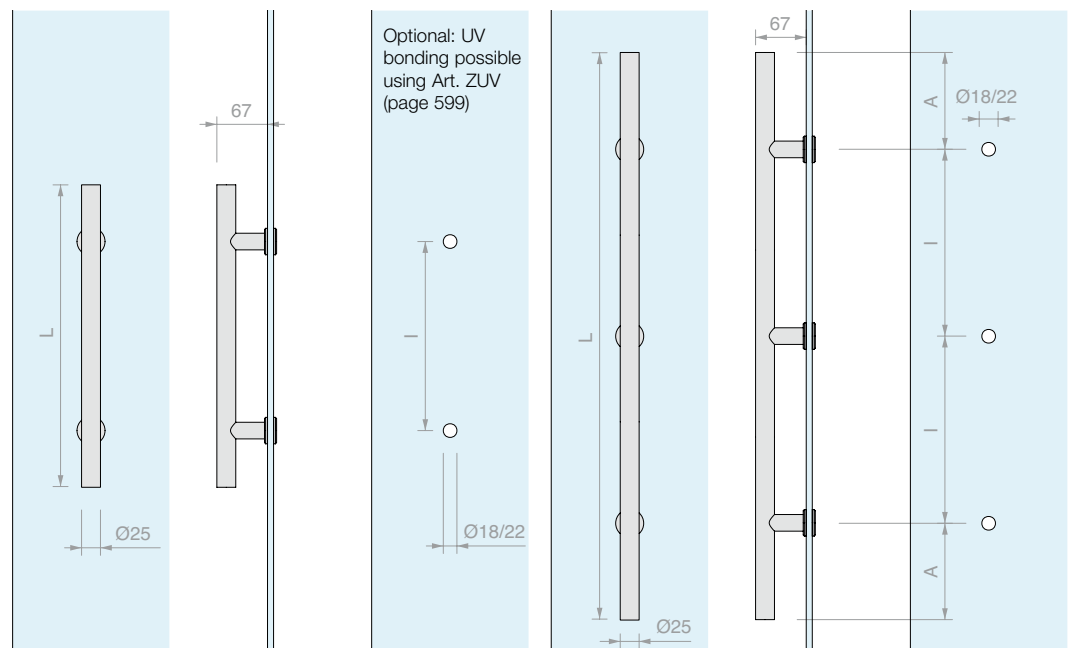
Art.	L	I	A	For glass	Qty
ZMT400	400 mm	250 mm		From 8 to 21.5 mm	1 Pc
ZMT500	500 mm	300 mm		From 8 to 21.5 mm	1 Pc
ZMT800	800 mm	400 mm		From 8 to 21.5 mm	1 Pc
ZMT1400	1400 mm	572 mm	128 mm	From 8 to 21.5 mm	1 Pc
ZMT2000	2000 mm	797 mm	203 mm	From 8 to 21.5 mm	1 Pc
ZMT/A	Customised				1 Pc

SINGLE ROUND PULL HANDLE

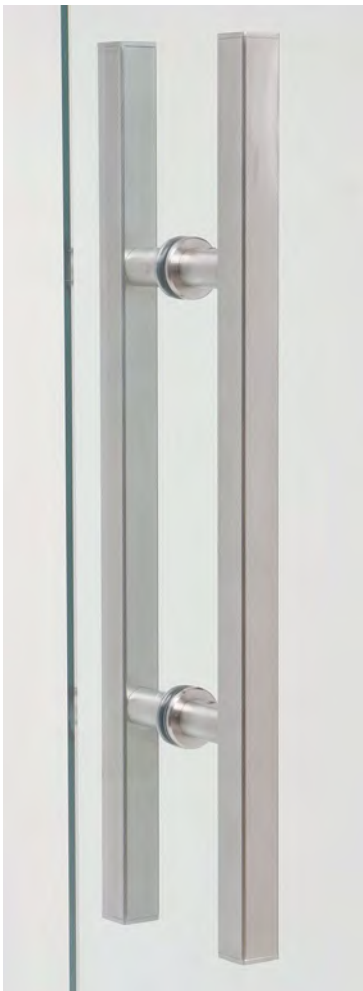
Material: AISI 304 stainless steel

Finish: /8 - On demand: /15

Recommended tool for tightening Art. UT250



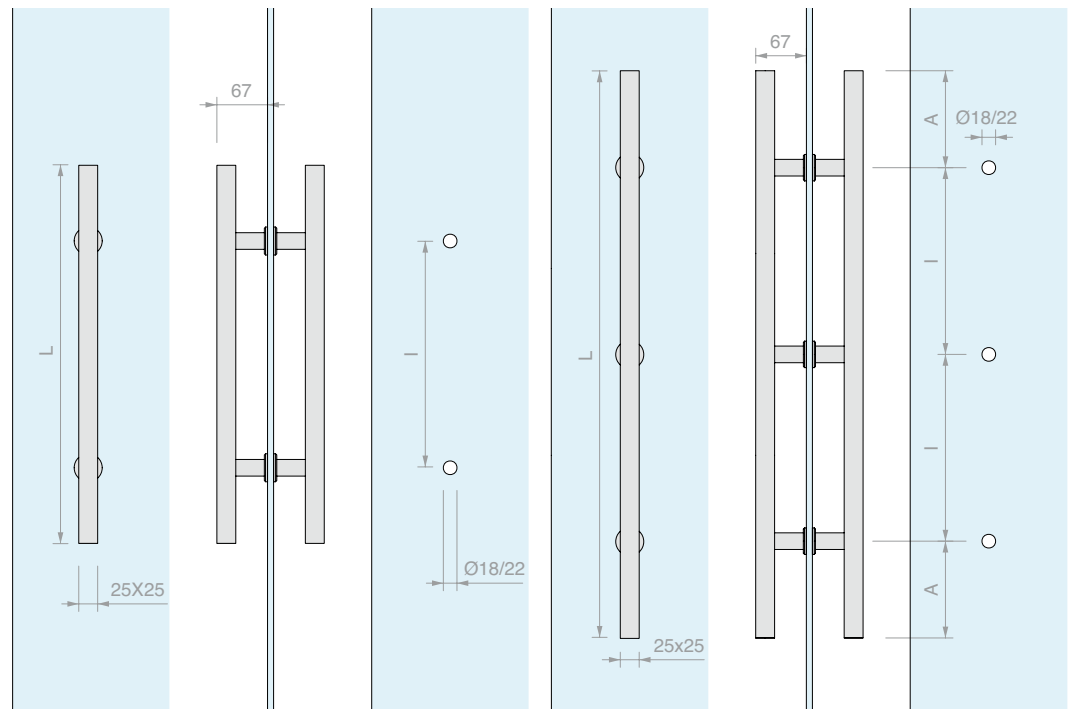
Art.	L	I	A	For glass	Qty
ZSIT400	400 mm	250 mm		From 8 to 21.5 mm	1 Pc
ZSIT500	500 mm	300 mm		From 8 to 21.5 mm	1 Pc
ZSIT800	800 mm	400 mm		From 8 to 21.5 mm	1 Pc
ZSIT1400	1400 mm	572 mm	128 mm	From 8 to 21.5 mm	1 Pc
ZSIT2000	2000 mm	797 mm	203 mm	From 8 to 21.5 mm	1 Pc
ZSIT	Customised				1 Pc



PAIR OF SQUARE PULL HANDLES

Material: AISI 304 stainless steel

Finish: /8 - On demand: /15



Art.	L	l	A	For glass	Qty
ZQUA500	500 mm	300 mm		From 8 to 21.5 mm	1 Pc
ZQUA800	800 mm	400 mm		From 8 to 21.5 mm	1 Pc
ZQUA1400	1400 mm	572 mm	128 mm	From 8 to 21.5 mm	1 Pc
ZQUA/A	Customised				1 Pc

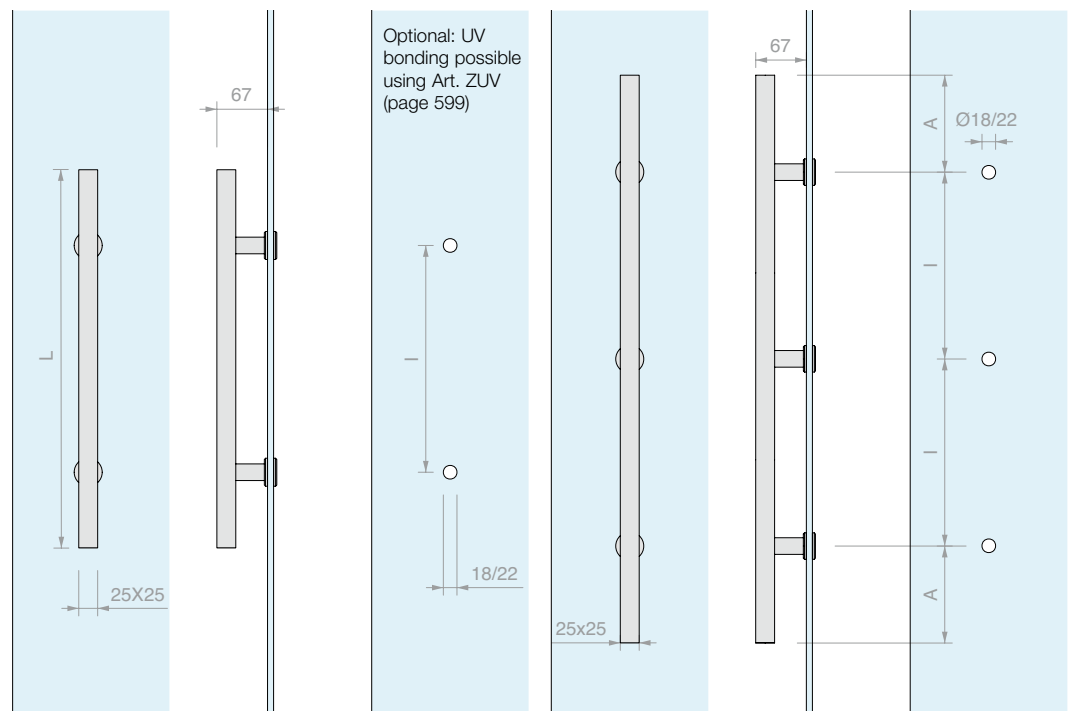


SINGLE SQUARE PULL HANDLE

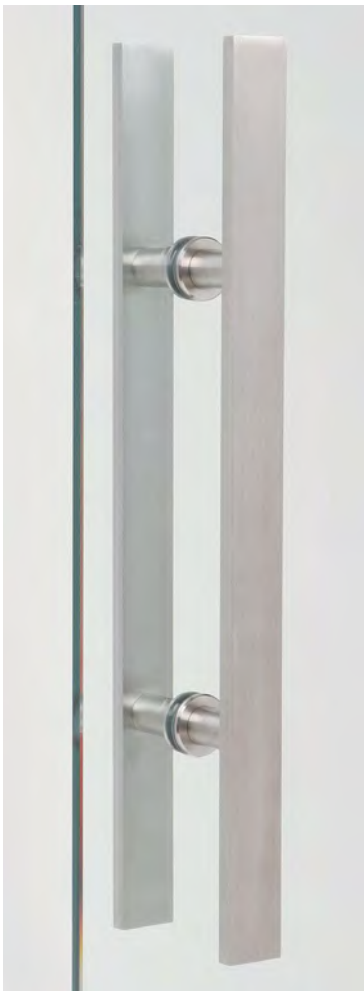
Material: AISI 304 stainless steel

Finish: /8 - On demand: /15

Recommended tool for tightening Art. UT250



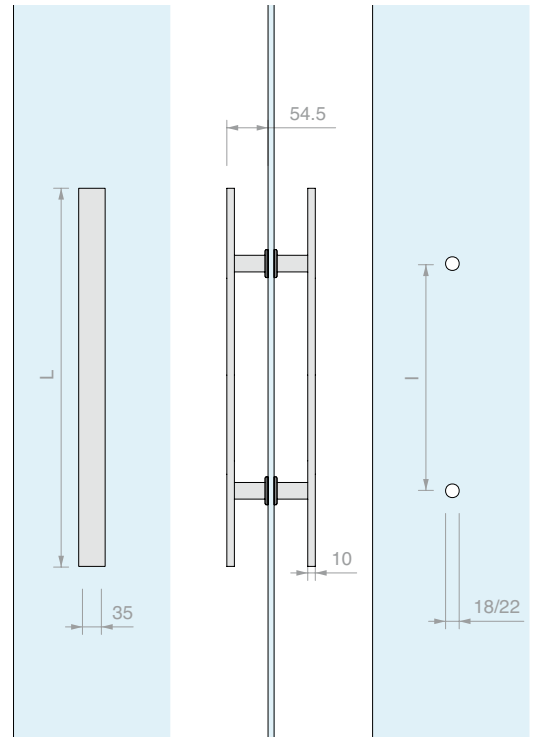
Art.	L	l	A	For glass	Qty
ZSIQ500	500 mm	300 mm		From 8 to 21.5 mm	1 Pc
ZSIQ800	800 mm	400 mm		From 8 to 21.5 mm	1 Pc
ZSIQ1400	1400 mm	572 mm	128 mm	From 8 to 21.5 mm	1 Pc
ZSIQ/A	Customised				1 Pc



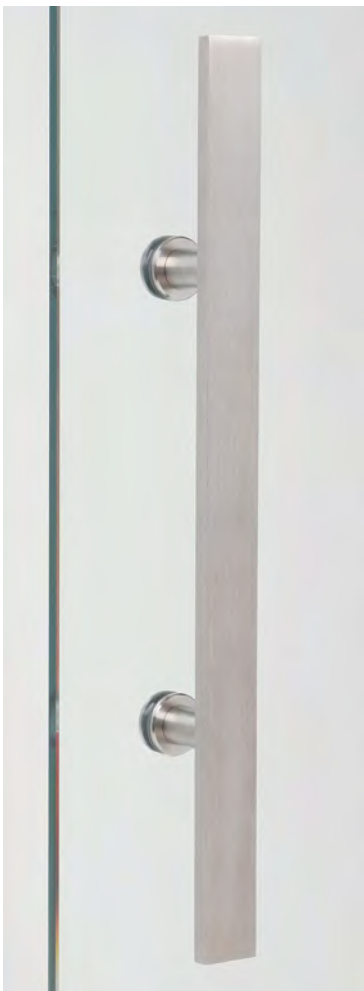
PAIR OF FLAT PULL HANDLES

Material: AISI 304 stainless steel

Finish: /8 - On demand: /15



Art.	L	I	For glass	Qty
ZPI500	500 mm	300 mm	From 8 to 21.5 mm	1 Pc
ZPI800	800 mm	400 mm	From 8 to 21.5 mm	1 Pc
ZPI/A	Customised			1 Pc

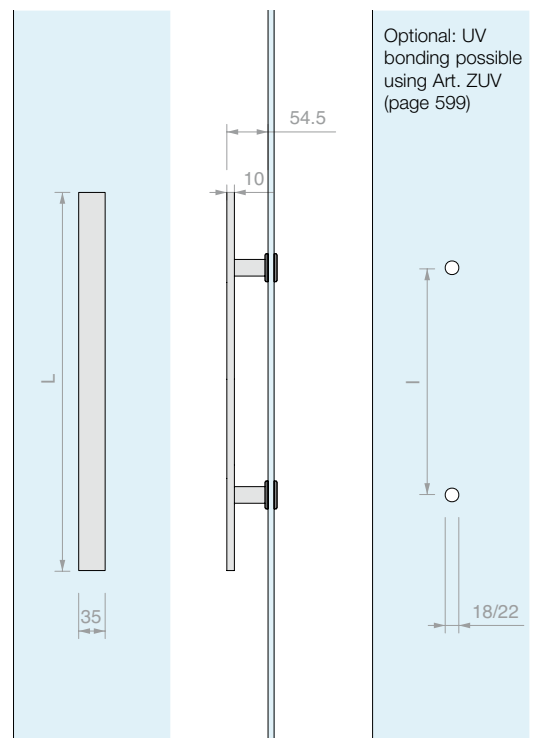


SINGLE FLAT PULL HANDLE

Material: AISI 304 stainless steel

Finish: /8 - On demand: /15

Recommended tool for tightening Art. UT250



Art.	L	I	For glass	Qty
ZSIP500	500 mm	300 mm	From 8 to 21.5 mm	1 Pc
ZSIP800	800 mm	400 mm	From 8 to 21.5 mm	1 Pc
ZSIP/A	Customised			1 Pc

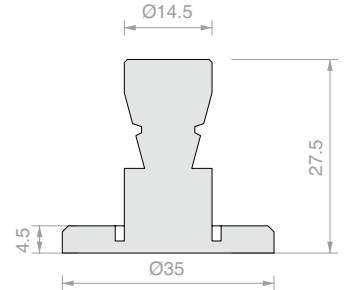


**UV BONDING FIXING
FOR Z SERIES SINGLE PULL HANDLES**

Material: AISI 304 steel

Finish: /9

It is recommended to fit the ZUV fixings on the pull handle before proceeding with the bonding



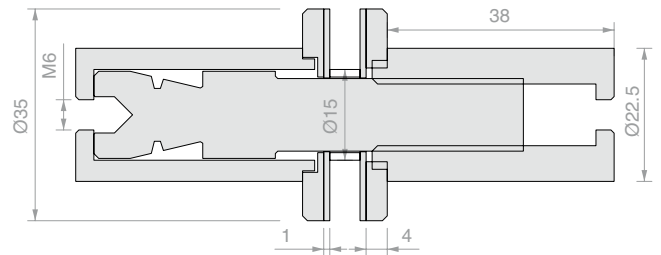
Art.	Qty
ZUV	1 Pc



FLAT FIXING FOR PULL HANDLES

Material: AISI 304 steel

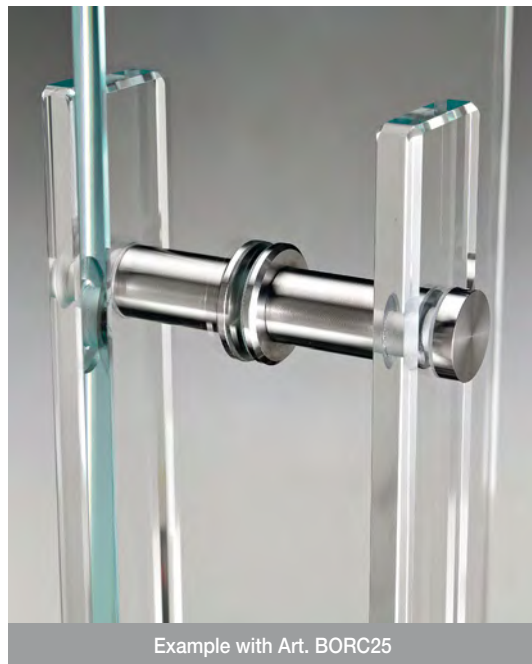
Finish: /8



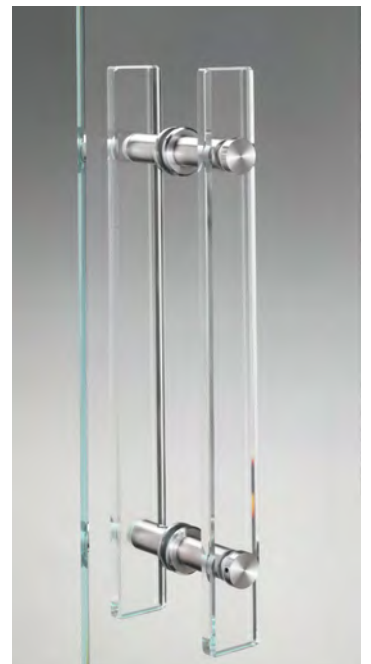
Art.	For glass	Qty
ZATT	From 8 to 21.5 mm	1 Pc



Example with Art. COFIS15B



Example with Art. BORC25



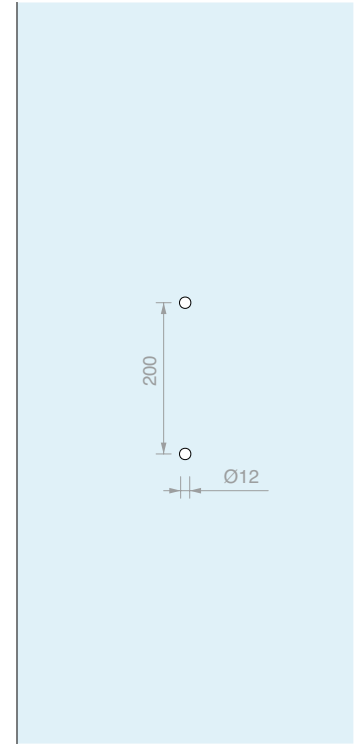
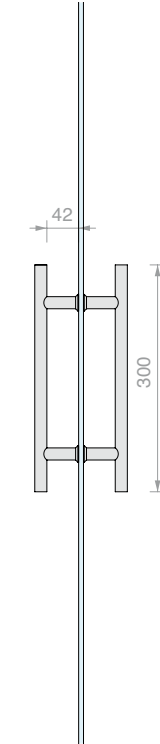
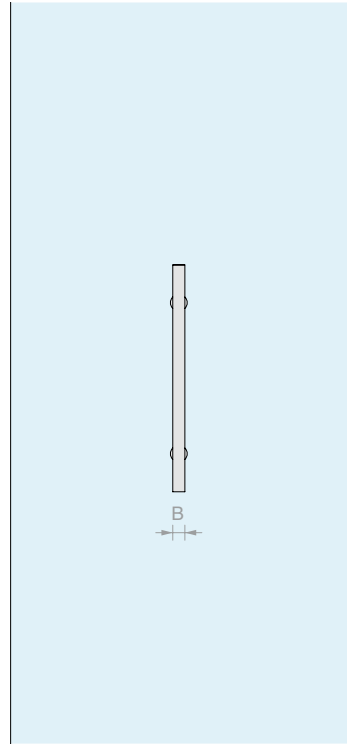


PAIR OF ROUND PULL HANDLES

Material: AISI 304 stainless steel

Finish: /8 /15

For greater thicknesses, replace the internal countersunk screws.



Art.	B	For glass	Qty
MN1620	Ø16 mm	From 6 to 17.5 mm	1 Pc
MN2020	Ø20 mm	From 6 to 17.5 mm	1 Pc

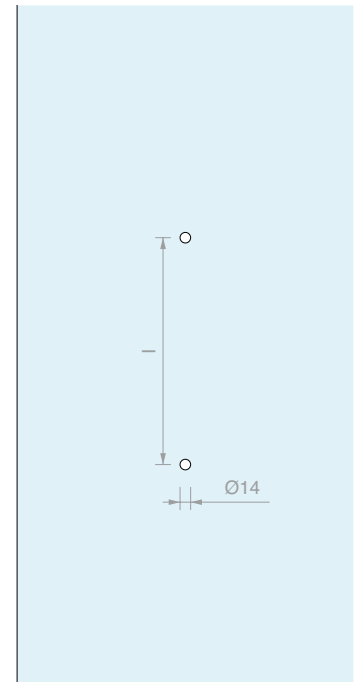
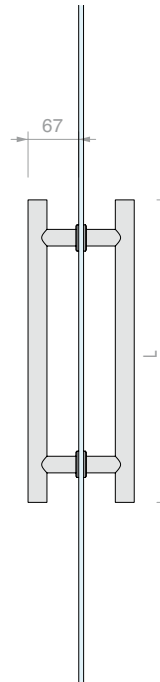
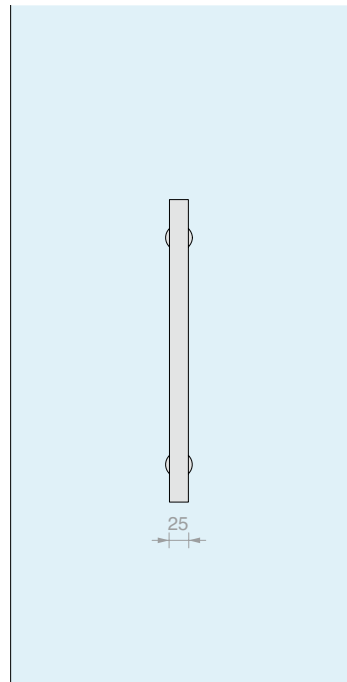


PAIR OF ROUND PULL HANDLES

Material: AISI 304 stainless steel

Finish: /8 /15 /R2

For greater thicknesses, replace the internal countersunk screws.



Art.	L	I	For glass	Qty
MN25300	300 mm	200 mm	From 6 to 21.5 mm	1 Pc
MN25400	400 mm	250 mm	From 6 to 21.5 mm	1 Pc
MN25500	500 mm	300 mm	From 6 to 21.5 mm	1 Pc
MN25800	400 mm	200 mm	From 6 to 21.5 mm	1 Pc

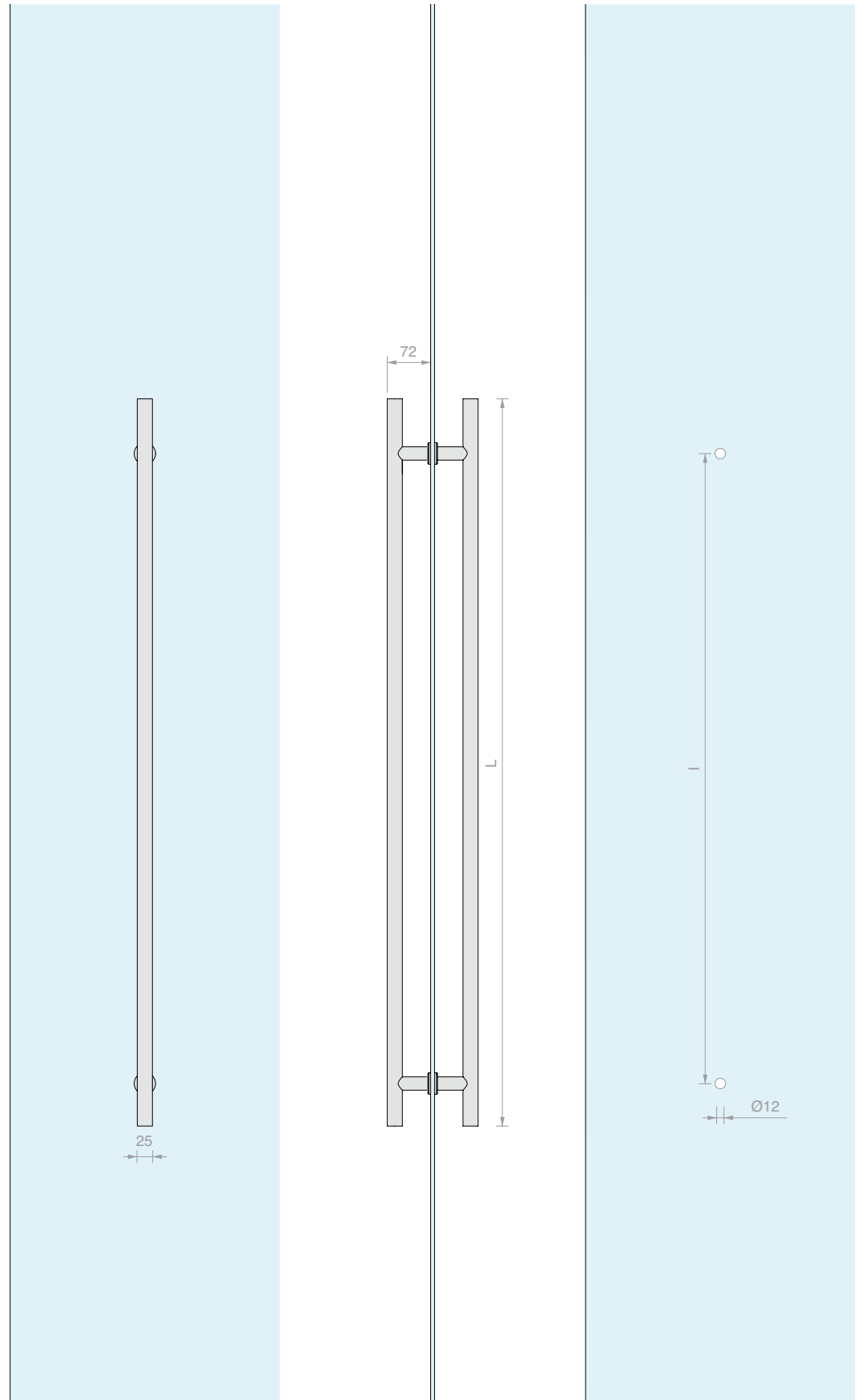


PAIR OF ROUND PULL HANDLES

Material: AISI 304 stainless steel

Finish: /8 /15 /R2

For greater thicknesses, replace the internal countersunk screws.



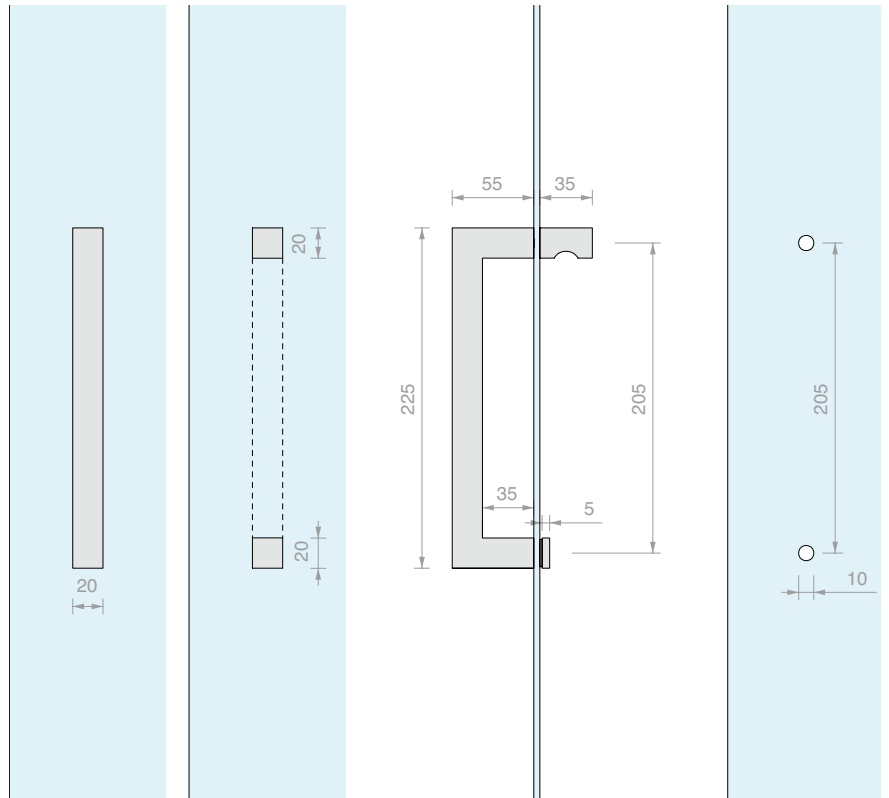
Art.	L	I	For glass	Qty
MN25850	850 mm	650 mm	From 6 to 17.5 mm	1 Pc
MN251200	1200 mm	1040 mm	From 6 to 17.5 mm	1 Pc



SINGLE SQUARE PULL HANDLE WITH DOOR KNOB

Material: AISI 304 stainless steel + zamak

Finish: /15 - Door knob and finishing screw: /1



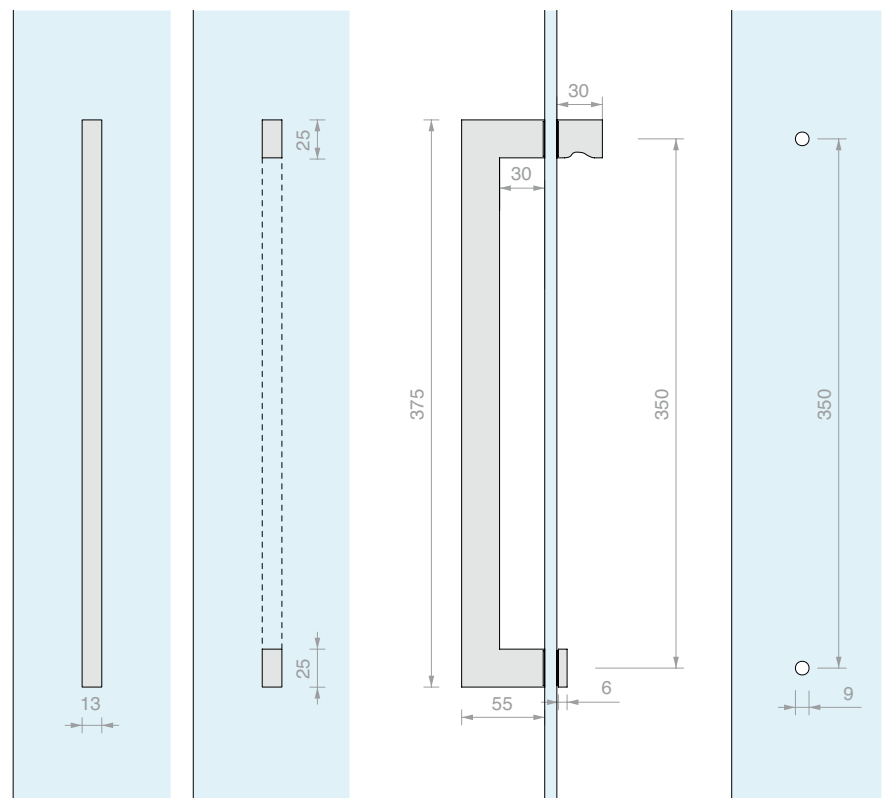
Art.	For glass	Qty
PMAN90	From 6 to 8 mm	1 Pc



SINGLE FLAT PULL HANDLE WITH DOOR KNOB

Material: AISI 304 stainless steel + zamak

Finish: /15 - Door knob and finishing screw: /1



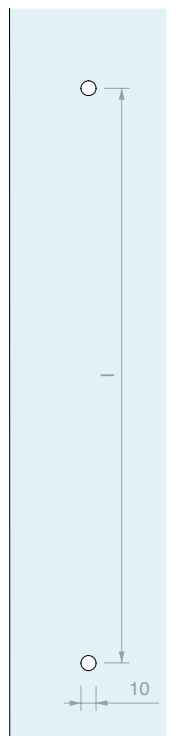
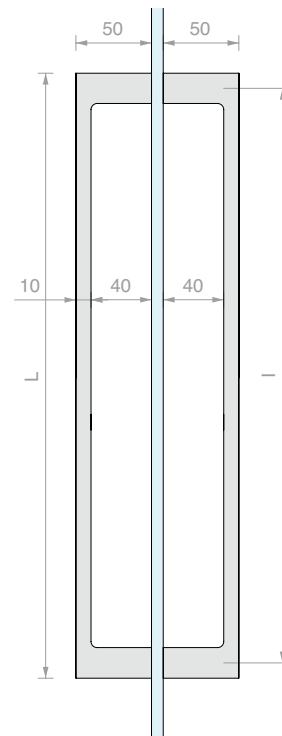
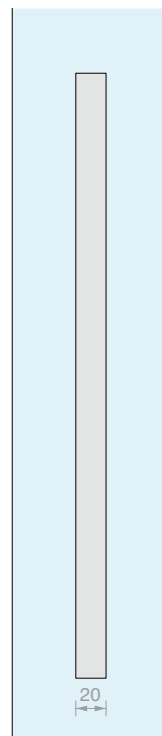
Art.	For glass	Qty
PMAN1131	From 6 to 8 mm	1 Pc



FLAT C-SHAPED PULL HANDLES

Material: Zamak

Finish: /1 /2 /4 /24 /R2



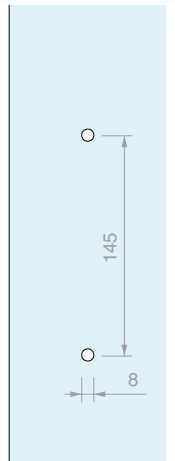
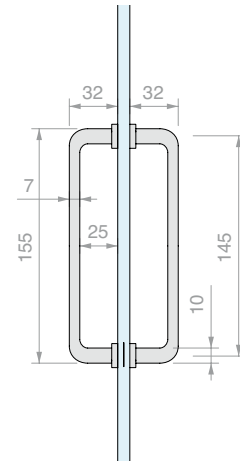
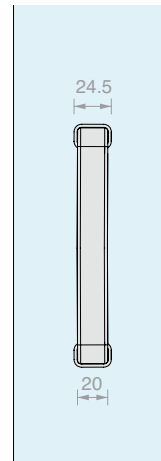
Art.	L	I	For glass	Qty
PMAN1340	400 mm	380 mm	From 6 to 10 mm	1 Pc
PMAN1332	300 mm	280 mm	From 6 to 10 mm	1 Pc
PMAN1322	200 mm	180 mm	From 6 to 10 mm	1 Pc



PAIR OF FLAT C-SHAPED PULL HANDLES

Material: Zamak

Finish: /1 /24



Art.

PMAN1530

For glass

From **6** to **8** mm

Qty

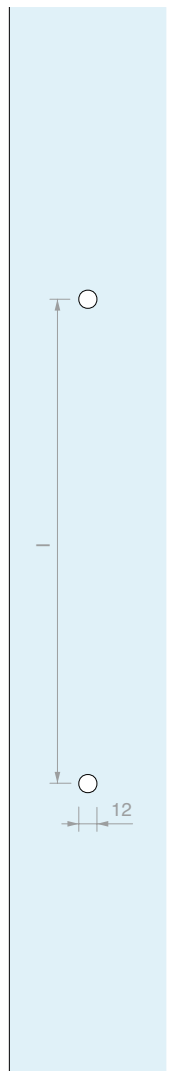
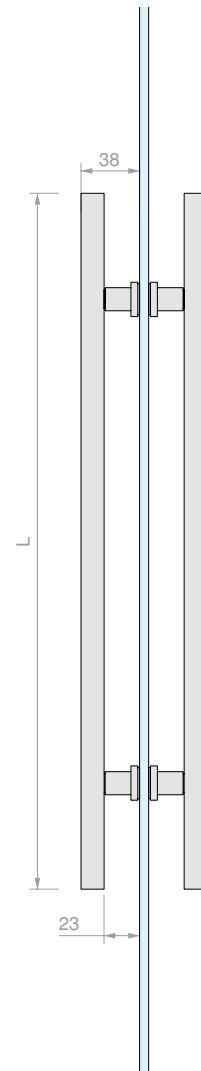
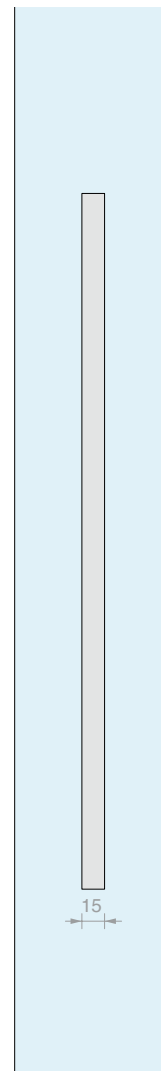
1 Pc



PAIR OF SQUARE PULL HANDLES

Material: Aluminium

Finish: /88 /91 /97



Art.

LM320

LM224

LM128

L

460 mm

310 mm

200 mm

l

320 mm

224 mm

128 mm

For glass

From **6** to **12** mm

From **6** to **12** mm

From **6** to **12** mm

Qty

1 Pc

1 Pc

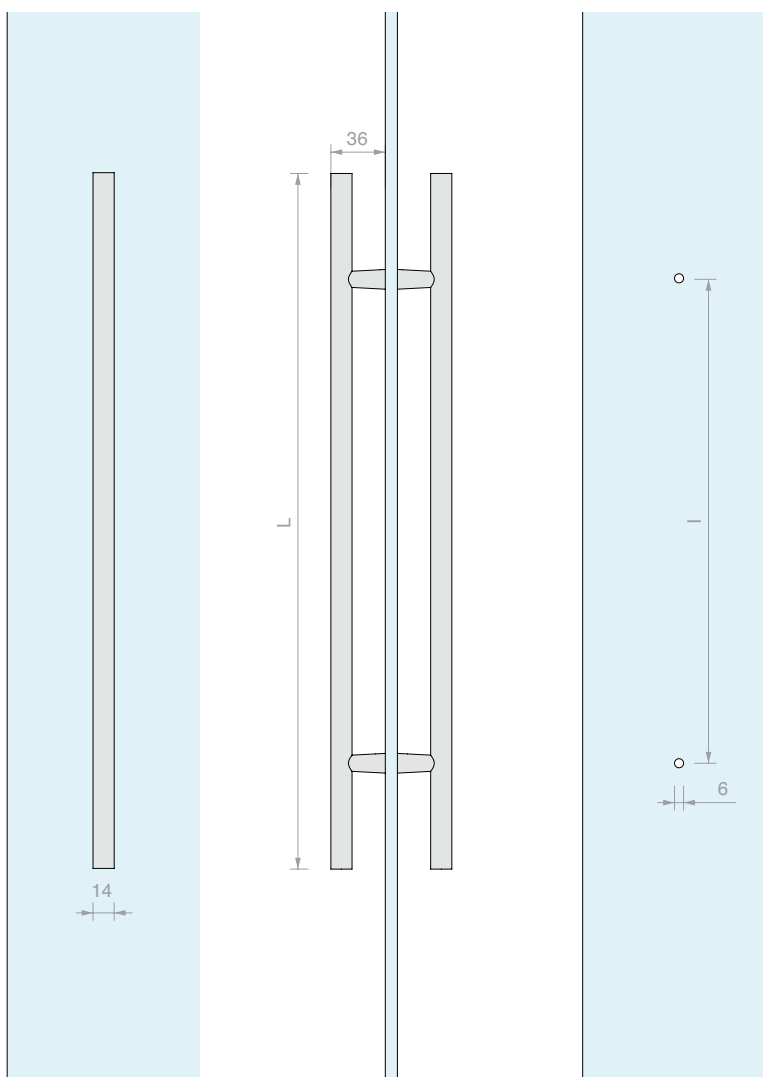
1 Pc



PAIR OF ROUND PULL HANDLES

Material: Aluminium or brass depending on the selected finish

Finish: /1 /3 /97



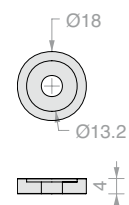
Art.	L	l	For glass	Qty
PM1	460 mm	320 mm	6/8 mm - 10/12 mm with the addition of Art. PM4	1 Pc
PM2	310 mm	224 mm	6/8 mm - 10/12 mm with the addition of Art. PM4	1 Pc
PM3	200 mm	128 mm	6/8 mm - 10/12 mm with the addition of Art. PM4	1 Pc



4 ADDITIONAL WASHERS FOR INCREASING BASE PLATE

Material: Zamak

Finish: /1 /3



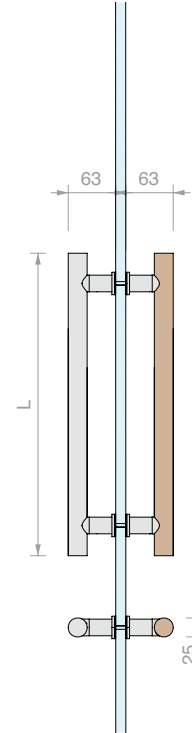
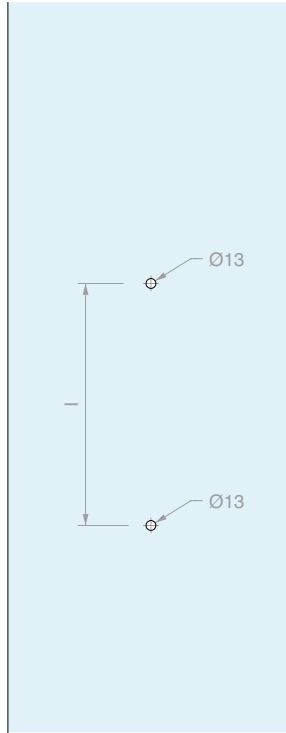
Art.	Q.ty
PM4	1 Pc



PAIR OF ROUND WOOD PULL HANDLES

Material: AISI 304 stainless steel, wood

Finish: /8 /15



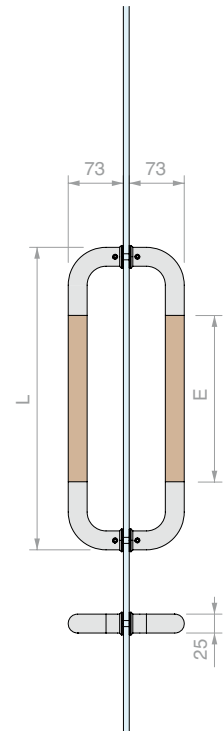
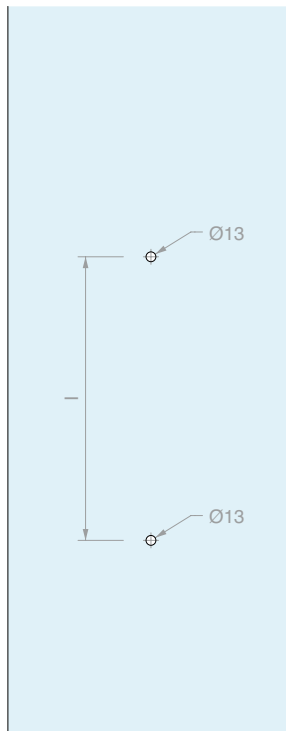
Art.	L	I	Type	For glass	Qty
MNTL25300	300 mm	220 mm	Beech	From 8 to 13.5 mm	1 Pc
MNTL25400	400 mm	320 mm	Beech	From 8 to 13.5 mm	1 Pc



PAIR OF ROUND WOOD C-SHAPED HANDLES

Material: AISI 304 stainless steel, wood

Finish: /8 /15



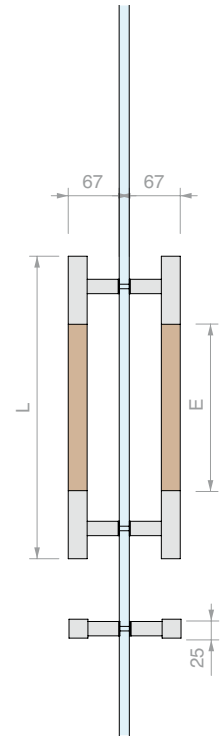
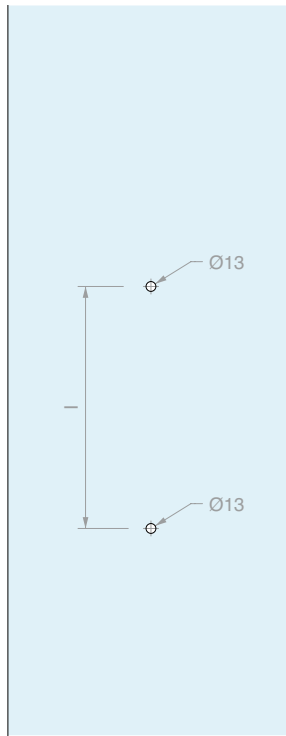
Art.	L	I	E	Type	For glass	Qty
MNTLAC25300	300 mm	275 mm	120 mm	Beech	From 8 to 13.5 mm	1 Pc
MNTLAC25400	400 mm	375 mm	220 mm	Beech	From 8 to 13.5 mm	1 Pc



PAIR OF SQUARE WOOD PULL HANDLES

Material: AISI 304 stainless steel, wood

Finish: /8 /15



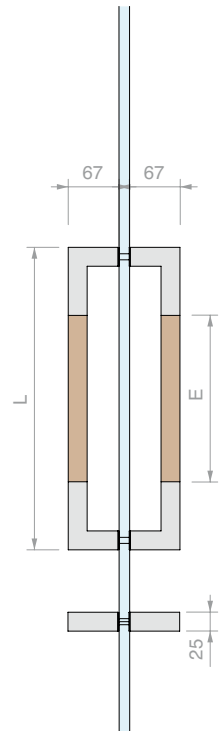
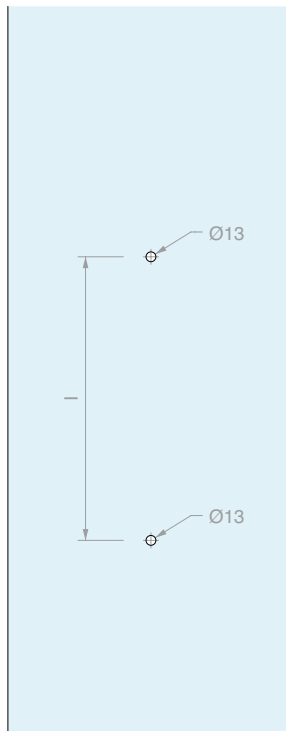
Art.	L	I	E	Type	For glass	Qty
MNQL25300	300 mm	220 mm	120 mm	Beech	From 8 to 13.5 mm	1 Pc
MNQL25400	400 mm	320 mm	220 mm	Beech	From 8 to 13.5 mm	1 Pc



PAIR OF SQUARE WOOD C-SHAPED PULL HANDLES

Material: AISI 304 stainless steel, wood

Finish: /8 /15



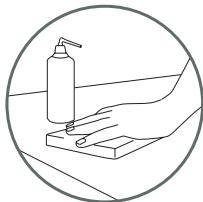
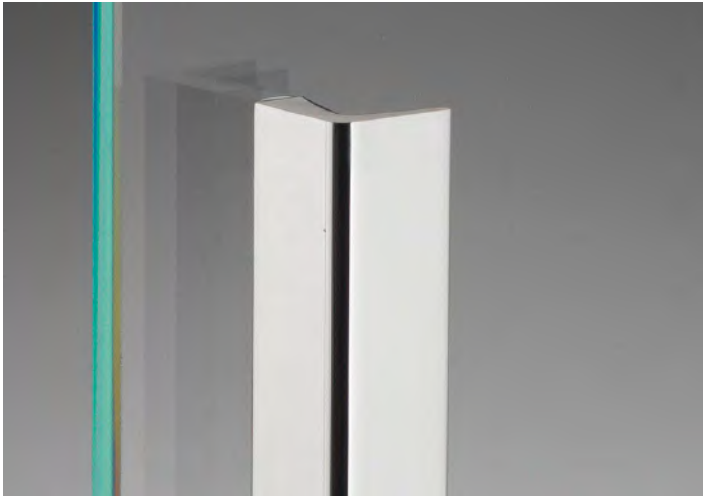
Art.	L	I	E	Type	For glass	Qty
MNQLAC25300	300 mm	275 mm	120 mm	Beech	From 8 to 13.5 mm	1 Pc
MNQLAC25400	400 mm	375 mm	220 mm	Beech	From 8 to 13.5 mm	1 Pc



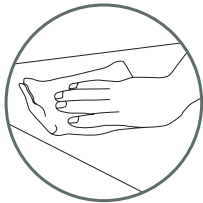
HANDLES WITH VHB FIXING

SURFACE PREPARATION

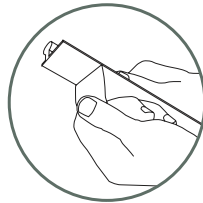
To ensure the best possible adhesion, the surface where the handle will be applied must be cleaned with the wipe provided (included in the kit), dry and at ambient temperature (minimum 21°C - maximum 38°C). Heptane or isopropyl alcohol and water can also be used as cleaning solvents. After having removed the protective tab from the two-sided tape strip, apply firm pressure between the handle and the support. The joint is 90% set after one day and will be fully set after 72 hours. To further increase the bond on surfaces in contact with water, heat the area to 70°C for around one hour.



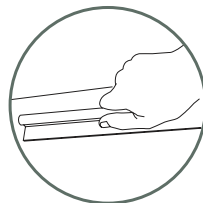
clean with solvent



dry with a wipe



Remove the protective film and apply, pressing firmly



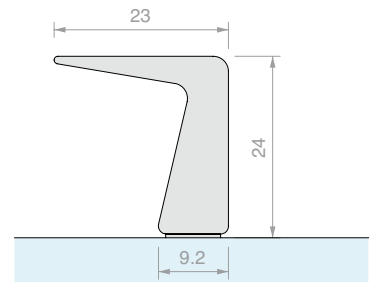
Press firmly



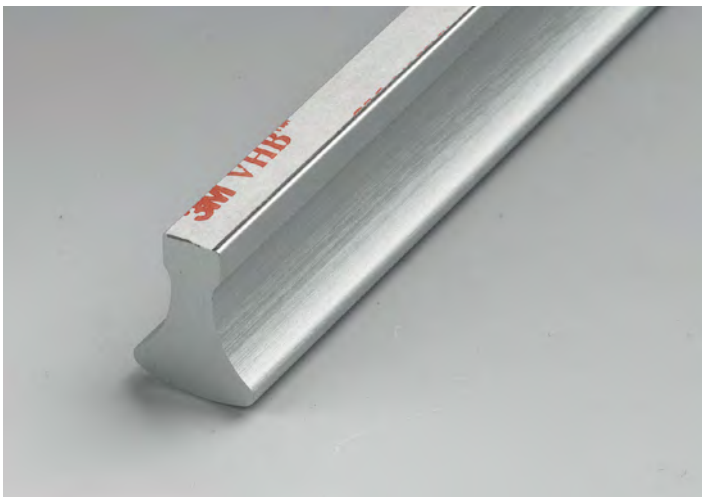
HANDLE FOR SLIDING DOORS WITH VHB FIXING 400

Material: Aluminium

Finish: /91 /97



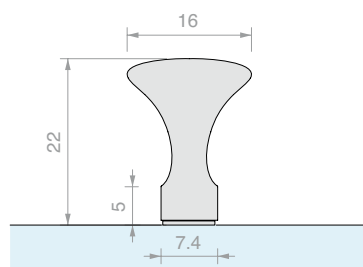
Art.	Length	Qty
MAN400V160	240 mm	1 Pc
MAN400V320	390 mm	1 Pc
MAN400V448	540 mm	1 Pc



HANDLE FOR SLIDING DOORS WITH VHB FIXING 401

Material: Aluminium

Finish: /91 /97



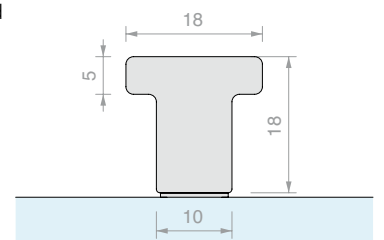
Art.	Length	Qty
MAN401V160	240 mm	1 Pc
MAN401V320	390 mm	1 Pc
MAN401V448	540 mm	1 Pc

HANDLE FOR SLIDING DOORS WITH VHB FIXING 412

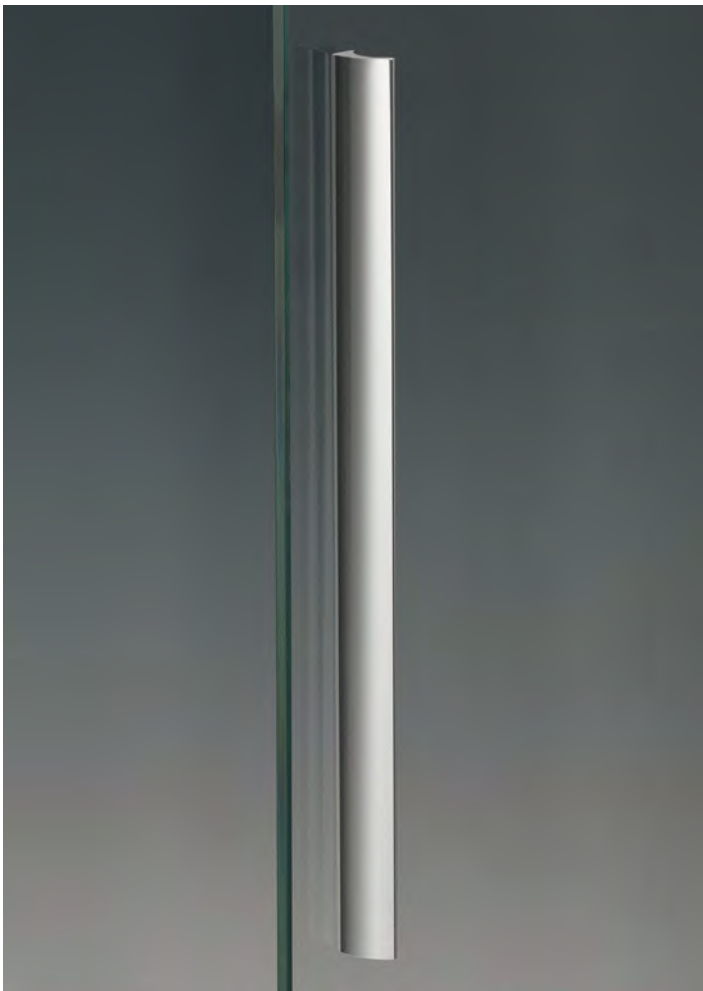
Material: Aluminium

Finish: /88 /91 /97

Other finishes available on demand



Art.	Length	Qty
MAN412V250	250 mm	1 Pc
MAN412V350	350 mm	1 Pc

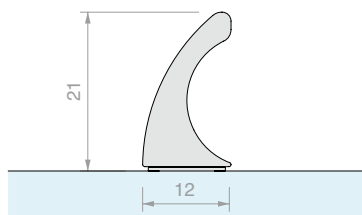


HANDLE FOR SLIDING DOORS WITH VHB FIXING 414

Material: Aluminium

Finish: /88 /91 /97

Other finishes available on demand

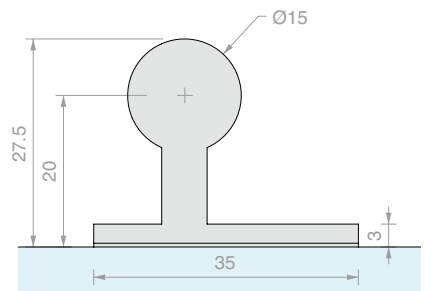


Art.	Length	Qty
MAN414V250	250 mm	1 Pc
MAN414V350	350 mm	1 Pc

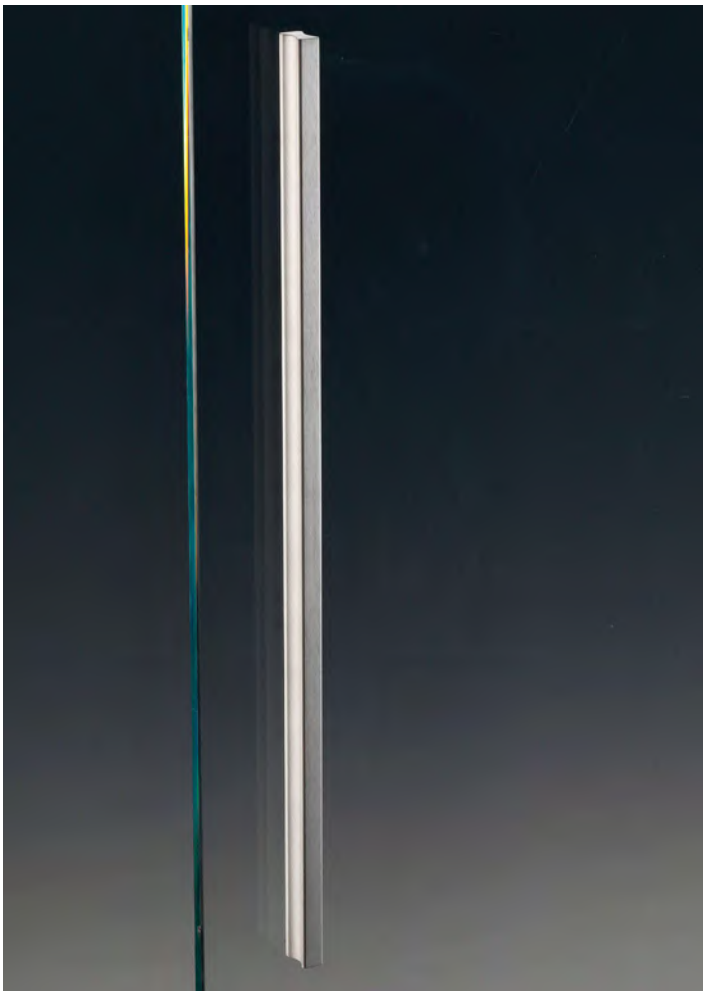
HANDLE FOR SLIDING DOORS WITH VHB FIXING 404

Material: Aluminium

Finish: /91 /97 /R2



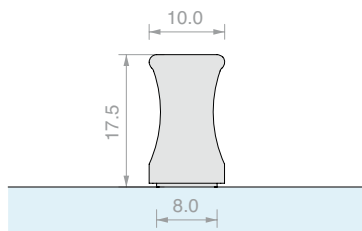
Art.	Length	Qty
MAN404V160	230 mm	1 Pc
MAN404V320	380 mm	1 Pc
MAN404V448	530 mm	1 Pc



HANDLE FOR SLIDING DOORS WITH VHB FIXING 408

Material: Aluminium

Finish: /91 /97 /R2

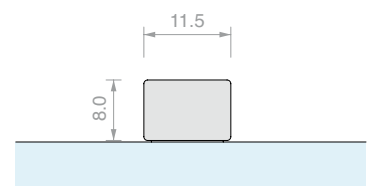


Art.	Length	Qty
MAN408V160	260 mm	1 Pc
MAN408V320	410 mm	1 Pc
MAN408V448	560 mm	1 Pc

HANDLE FOR SLIDING DOORS WITH VHB FIXING 500

Material: Aluminium

Finish: /88 /91 /97 /R2



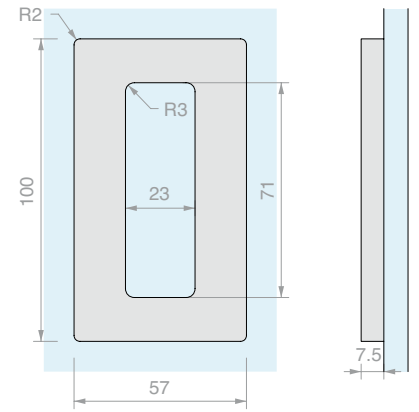
Art.	Length	Qty
MAN500V150	150 mm	1 Pc



**HANDLE FOR SLIDING DOORS
WITH VBH FIXING HAND10057**

Material: AISI 304 steel

Finish: /8 /15



Art.

HAND10057VHB

Qty

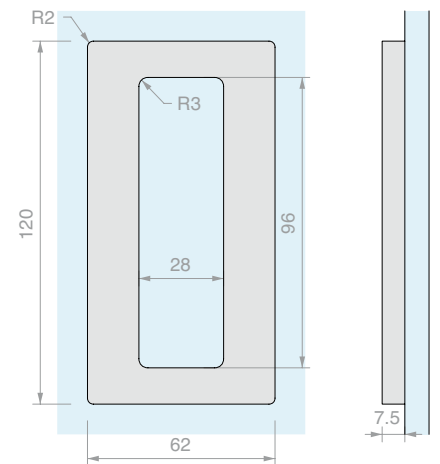
1 Pc



**HANDLE FOR SLIDING DOORS
WITH VBH FIXING HAND12062**

Material: AISI 304 steel

Finish: /8 /15



Art.

HAND12062VHB

Qty

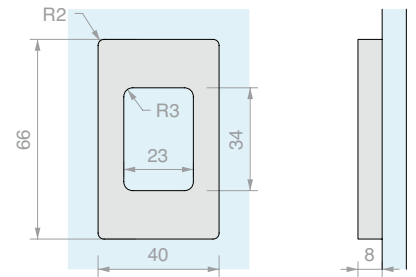
1 Pc



**HANDLE FOR SLIDING DOORS
WITH VBH FIXING HAND6640**

Material: Aluminium

Finish: /1 /6 /88 /91 /97



Art. **HAND6640VHB**

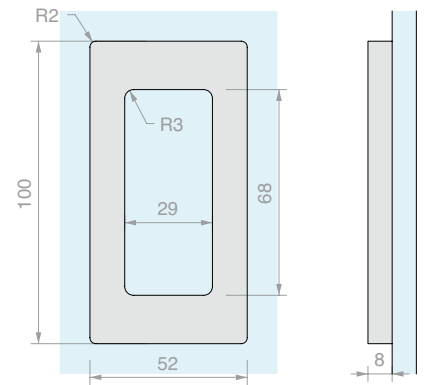
Qty
1 Pc



**HANDLE FOR SLIDING DOORS
WITH VBH FIXING HAND10052**

Material: Aluminium

Finish: /1 /6 /88 /91 /97



Art. **HAND10052VHB**

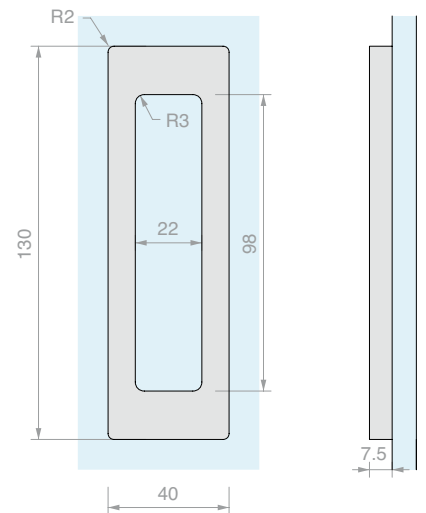
Qty
1 Pc



**HANDLE FOR SLIDING DOORS
WITH VBH FIXING HAND13040**

Material: Aluminium

Finish: /1 /6 /88 /91 /97
/R6 /R13



Art. **HAND13040VHB**

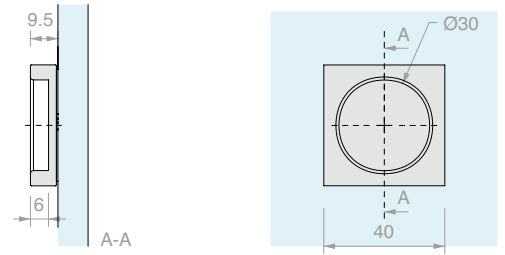
Qty
1 Pc



SQUARE HANDLE FOR SLIDING DOORS WITH VHB FIXING

Material: AISI 304 steel

Finish: /9



Art.

MABDQ40

Qty

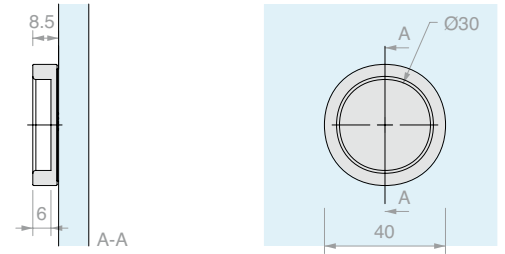
1 Pc



ROUND HANDLE FOR SLIDING DOORS WITH VHB FIXING

Material: AISI 304 steel

Finish: /9



Art.

MABDT40

Qty

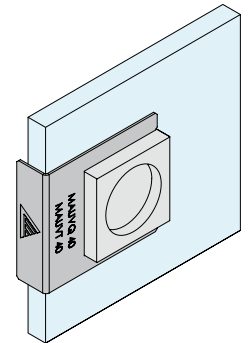
1 Pc



MOUNTING JIG

MABDQ40-MABDT40-MAUVQ40-MAUVT40

Material: AISI 304 steel

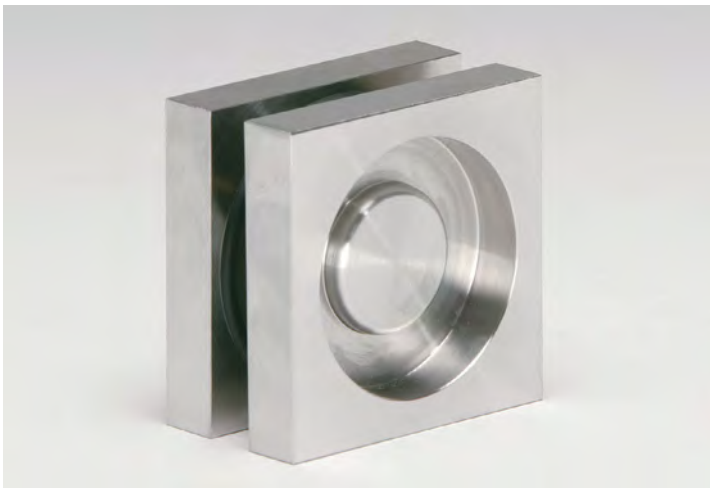


Art.

FXGAB10

Qty

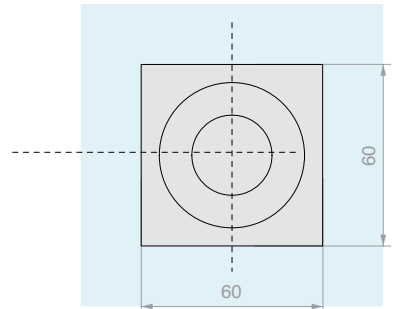
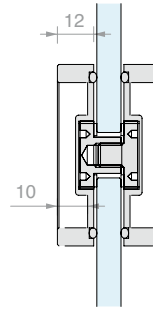
1 Pc



PAIR OF SQUARE HANDLES

Material: AISI 304 steel

Finish: /9



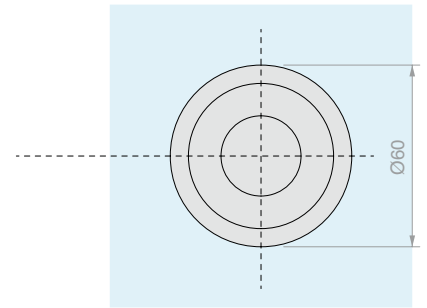
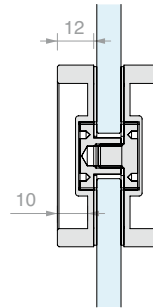
Art.	Hole	For glass	Qty
MAQ60	Ø14 mm	From 8 to 12 mm	1 Pc



PAIR OF ROUND HANDLES

Material: AISI 304 steel

Finish: /9



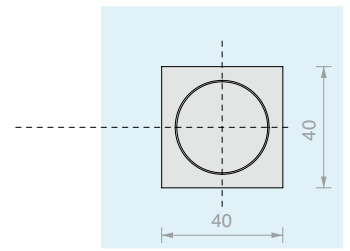
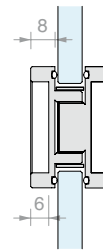
Art.	Hole	For glass	Qty
MAT60	Ø14 mm	From 8 to 12 mm	1 Pc



PAIR OF SQUARE HANDLES

Material: AISI 304 steel

Finish: /9



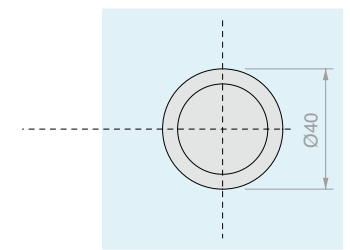
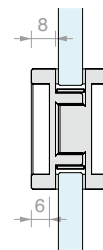
Art.	Hole	For glass	Qty
MAQ40	Ø30 mm	From 8 to 12 mm	1 Pc



PAIR OF ROUND HANDLES

Material: AISI 304 steel

Finish: /9



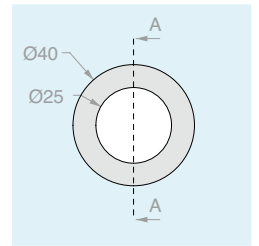
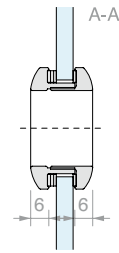
Art.	Hole	For glass	Qty
MAT40	Ø30 mm	From 8 to 12 mm	1 Pc



PAIR OF ROUND OPEN HANDLES 4314

Material: AISI 304 steel

Finish: /8 /15



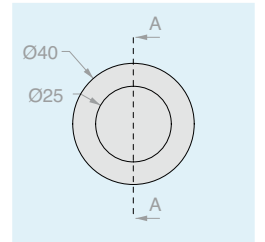
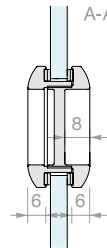
Art.	Hole	For glass	Qty
MAT4314	Ø32 mm	From 6 to 10 mm	1 Pc



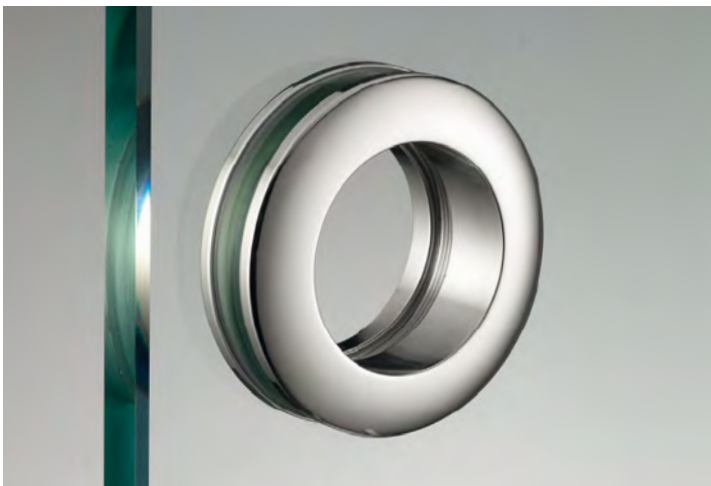
PAIR OF ROUND CLOSED HANDLES 4320

Material: AISI 304 steel

Finish: /8 /15



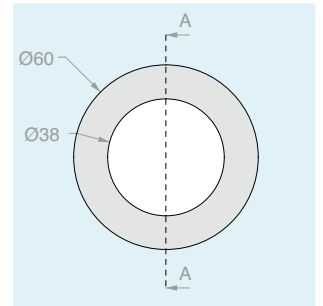
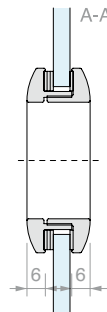
Art.	Hole	For glass	Qty
MAT4320	Ø32 mm	From 6 to 10 mm	1 Pc



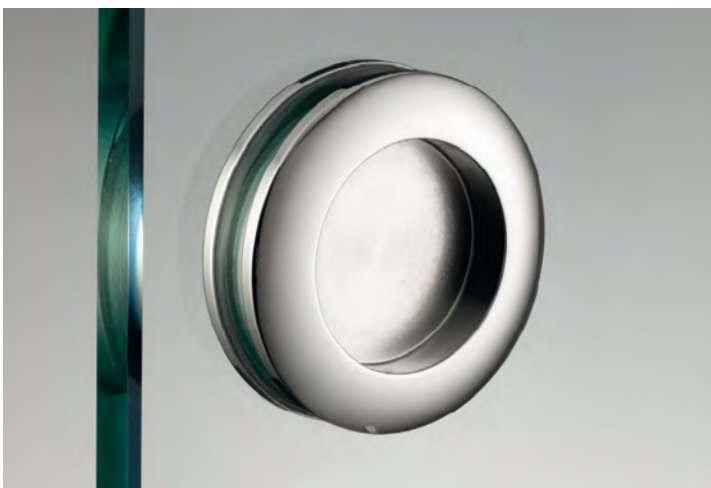
PAIR OF ROUND OPEN HANDLES 6314

Material: AISI 304 steel

Finish: /8 /15



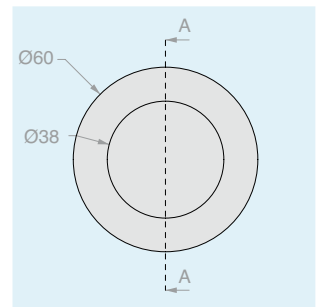
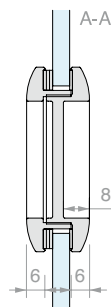
Art.	Hole	For glass	Qty
MAT6314	Ø48 mm	From 8 to 10 mm	1 Pc



PAIR OF ROUND CLOSED HANDLES 6320

Material: AISI 304 steel

Finish: /8 /15



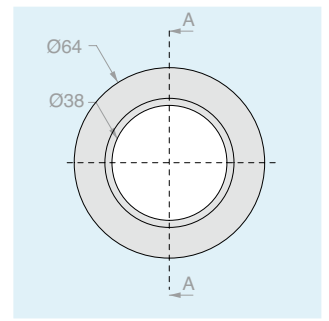
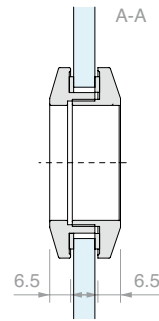
Art.	Hole	For glass	Qty
MAT6320	Ø48 mm	From 8 to 10 mm	1 Pc



PAIR OF ROUND OPEN HANDLES 8314

Material: AISI 304 steel

Finish: /8 /15



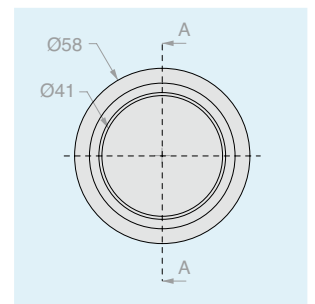
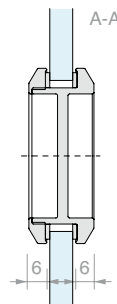
Art.	Hole	For glass	Qty
MAT8314	Ø50 mm	From 8 to 10 mm	1 Pc



PAIR OF ROUND CLOSED HANDLES 8320

Material: AISI 304 steel

Finish: /8 /15



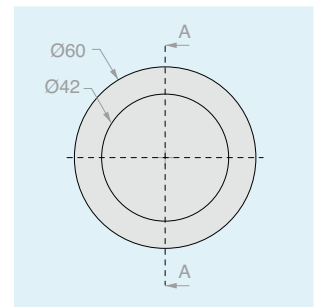
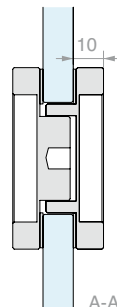
Art.	Hole	For glass	Qty
MAT8320	Ø50 mm	From 8 to 10 mm	1 Pc



PAIR OF ROUND CLOSED HANDLES 6036

Material: Aluminium

Finish: /88 /91 /97



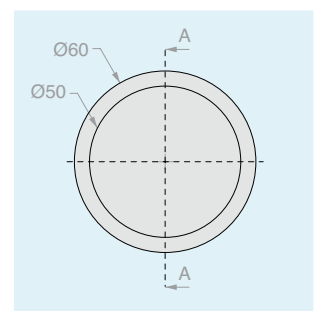
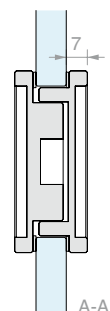
Art.	Hole	For glass	Qty
MAL6036	Ø38 mm	From 8 to 12 mm	1 Pc



PAIR OF ROUND CLOSED HANDLES 6050

Material: Aluminium

Finish: /88 /91 /97



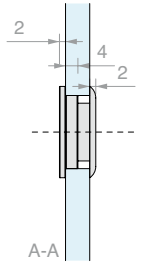
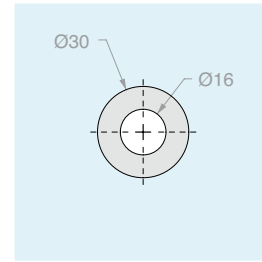
Art.	Hole	For glass	Qty
MAL6050	Ø51 mm	From 8 to 12 mm	1 Pc



PAIR OF ROUND OPEN HANDLES 30A

Material: Brass

Finish: /1 /2 /3



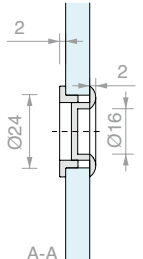
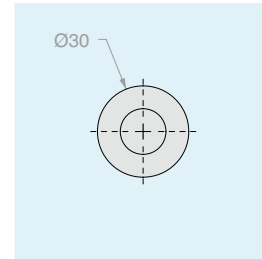
Art.	Hole	For glass	Qty
MAN30A	Ø26 mm	From 4 to 6 mm	1 Pc



PAIR OF ROUND CLOSED HANDLES 30C

Material: Brass

Finish: /1 /2 /3



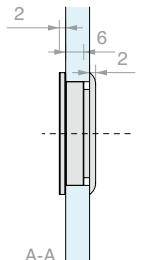
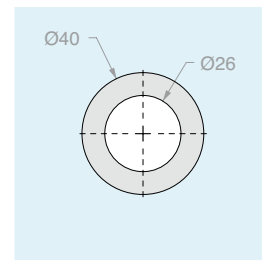
Art.	Hole	For glass	Qty
MAN30C	Ø26 mm	From 4 to 6 mm	1 Pc



PAIR OF ROUND OPEN HANDLES 40A

Material: Brass

Finish: /1 /2 /3



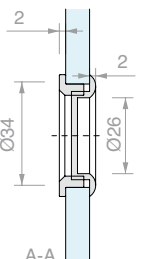
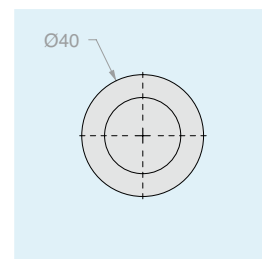
Art.	Hole	For glass	Qty
MAN40A	Ø36 mm	From 8 to 10 mm	1 Pc



PAIR OF ROUND CLOSED HANDLES 40C

Material: Brass

Finish: /1 /2 /3



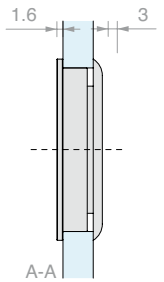
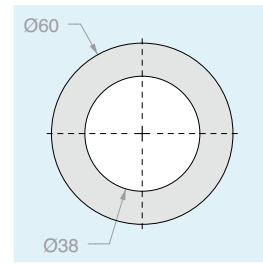
Art.	Hole	For glass	Qty
MAN40C	Ø36 mm	From 8 to 10 mm	1 Pc



PAIR OF ROUND OPEN HANDLES 60A

Material: Brass

Finish: /1 /2 /92



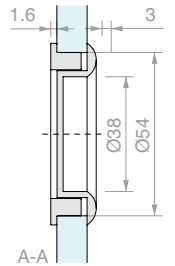
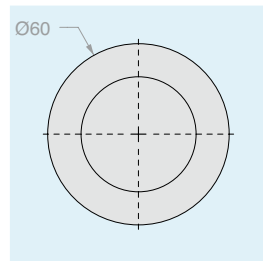
Art.	Hole	For glass	Qty
MAN60A	Ø55 mm	From 8 to 12 mm	1 Pc



PAIR OF ROUND CLOSED HANDLES 60C

Material: Brass

Finish: /1 /2 /92



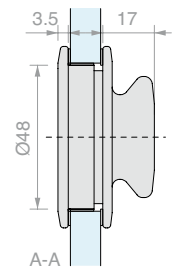
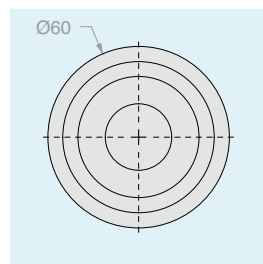
Art.	Hole	For glass	Qty
MAN60C	Ø55 mm	From 8 to 12 mm	1 Pc



PAIR OF ROUND HANDLES WITH DOOR KNOB MSC9

Material: Brass

Finish: /1 /3



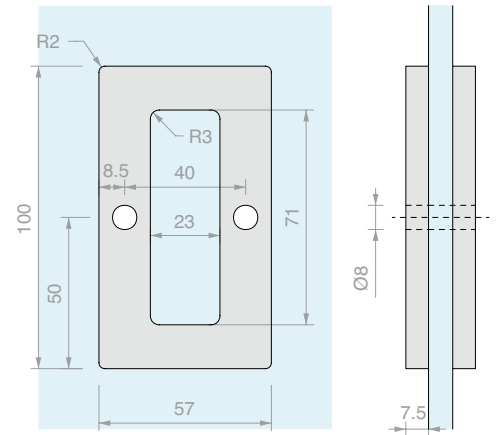
Art.	Hole	For glass	Qty
MSC9	Ø50 mm	From 8 to 12 mm	1 Pc



PAIR OF HANDLES FOR SLIDING DOORS HAND10057

Material: AISI 304 steel

Finish: /8 /15



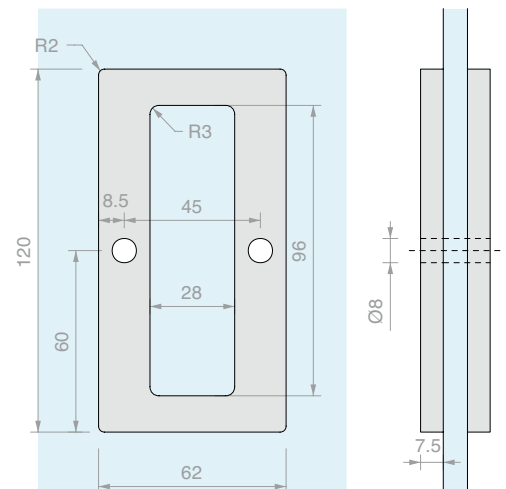
Art.	For glass	Qty
HAND10057	From 8 to 12 mm	1 Pc



PAIR OF HANDLES FOR SLIDING DOORS HAND12062

Material: AISI 304 steel

Finish: /8 /15



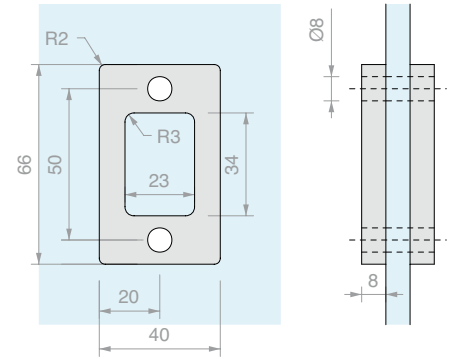
Art.	For glass	Qty
HAND12062	From 8 to 12 mm	1 Pc



PAIR OF HANDLES FOR SLIDING DOORS HAND6640

Material: Aluminium

Finish: /1 /6 /88 /91 /97



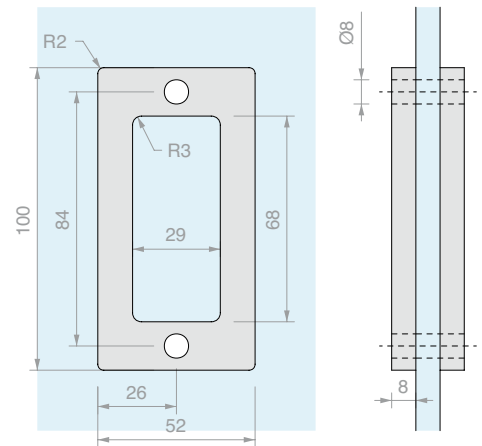
Art.	For glass	Qty
HAND6640	From 8 to 12 mm	1 Pc



PAIR OF HANDLES FOR SLIDING DOORS HAND10052

Material: Aluminium

Finish: /1 /6 /88 /91 /97



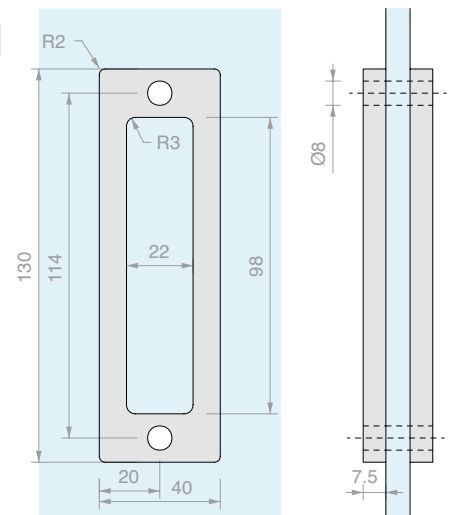
Art.	For glass	Qty
HAND10052	From 8 to 12 mm	1 Pc



PAIR OF HANDLES FOR SLIDING DOORS HAND13040

Material: Aluminium

Finish: /1 /6 /88 /91 /97



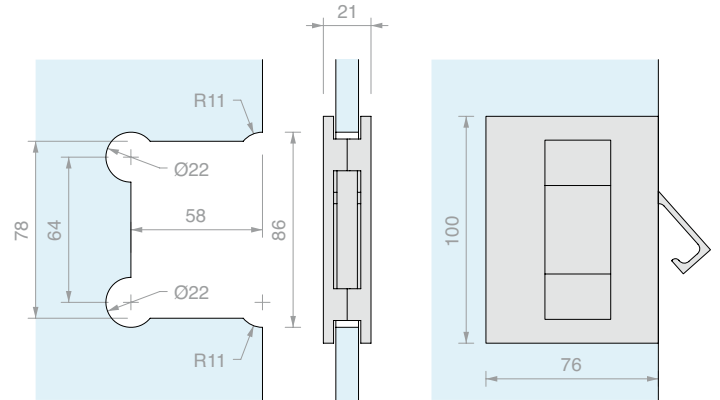
Art.	For glass	Qty
HAND13040	From 8 to 12 mm	1 Pc



PAIR OF HANDLES FOR POCKET SLIDING DOORS

Material: Brass

Finish: /1 /24 /45



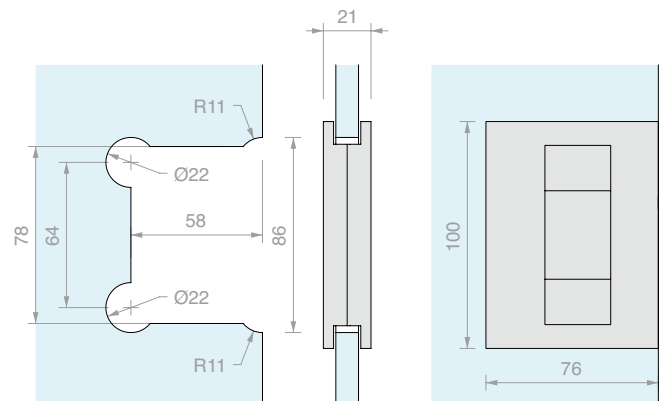
Art.	For glass	Qty
MSC7	From 8 to 10 mm	1 Pc



PAIR OF HANDLES FOR SLIDING DOORS

Material: Brass

Finish: /1 /24 /45



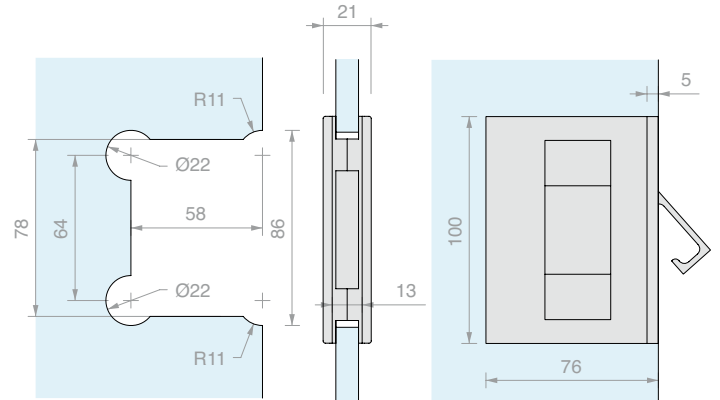
Art.	For glass	Qty
MSC5	From 8 to 10 mm	1 Pc



PAIR OF HANDLES FOR POCKET SLIDING DOORS WITH PROTRUSION FOR WALL CHANNEL

Material: Brass

Finish: /1 /24 /45



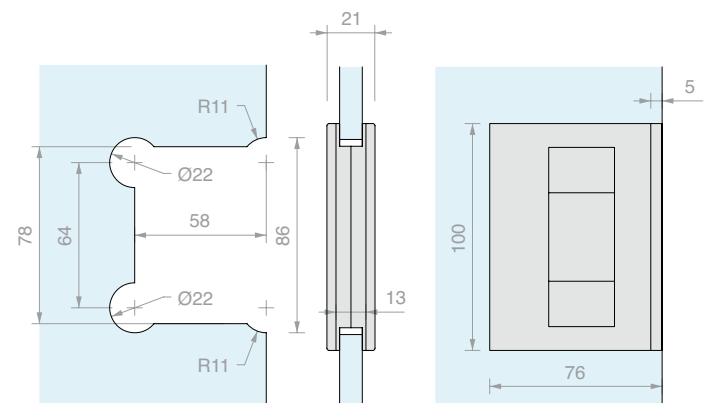
Art.	For glass	Qty
MSC8	From 8 to 10 mm	1 Pc



PAIR OF HANDLES FOR SLIDING DOORS WITH PROTRUSION FOR WALL CHANNEL

Material: Brass

Finish: /1 /24 /45



Art.	For glass	Qty
MSC6	From 8 to 10 mm	1 Pc

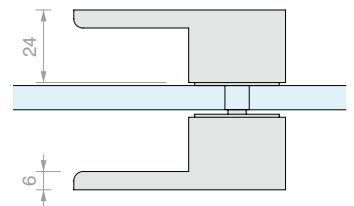
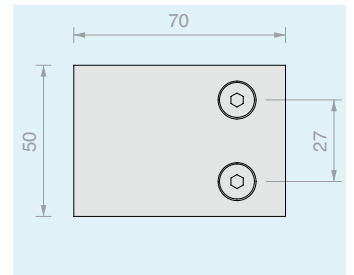


PAIR OF SQUARE HANDLES

Material: Brass

Recommended glass hole minimum size Ø8 mm

Finish: /1 /24



Art.	For glass	Qty
MNQ2470	From 8 to 12 mm	1 Pc

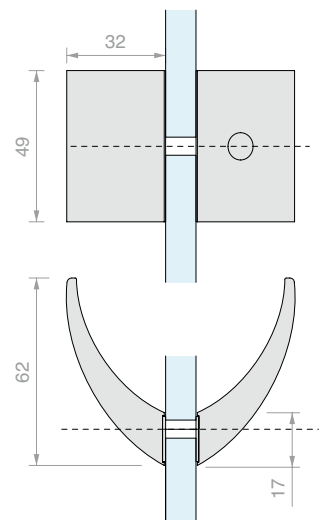


PAIR OF HANDLES 2030

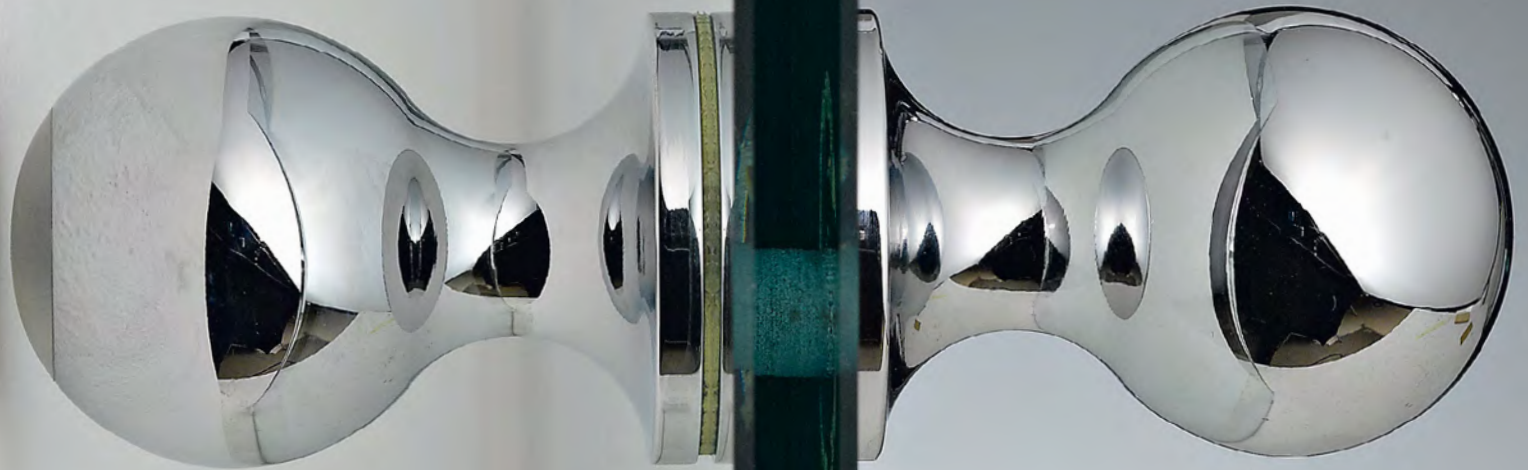
Material: Brass

Recommended glass hole minimum size Ø8 mm

Finish: /1 /24



Art.	For glass	Qty
MN2030	From 6 to 8 mm	1 Pc



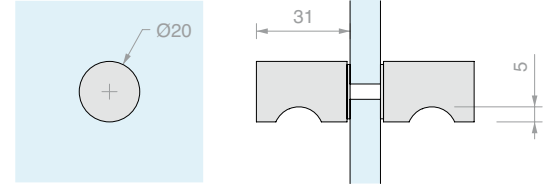


PAIR OF KNOBS WITH GRIP

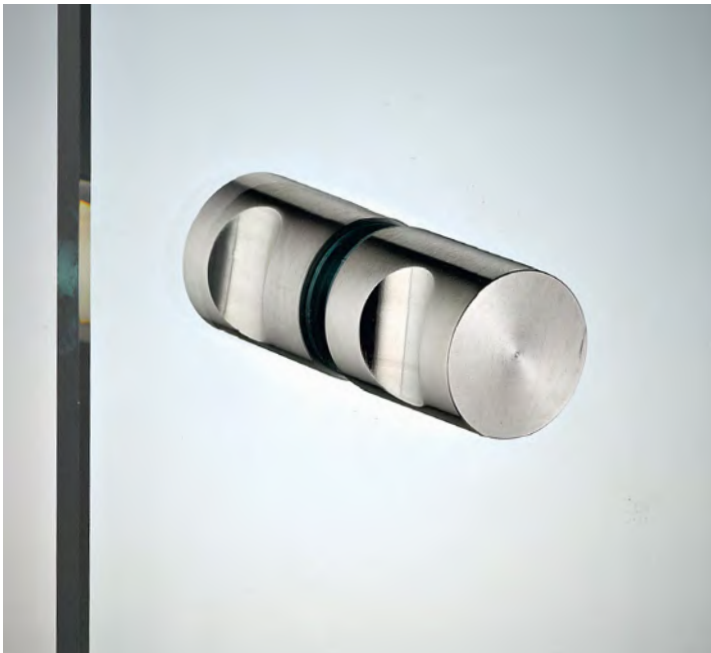
Material: AISI 304 steel

Recommended glass hole minimum size Ø6 mm

Finish: /9



Art.	For glass	Qty
POM1ACC20	From 5 to 15 mm	1 Pc

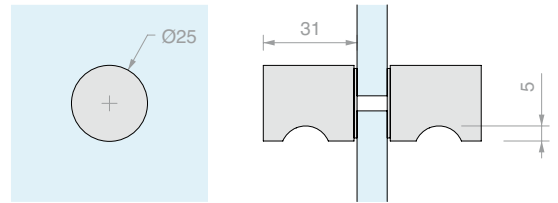


PAIR OF KNOBS WITH GRIP

Material: AISI 304 steel

Recommended glass hole minimum size Ø6 mm

Finish: /9



Art.	For glass	Qty
POM1ACC25	From 5 to 15 mm	1 Pc

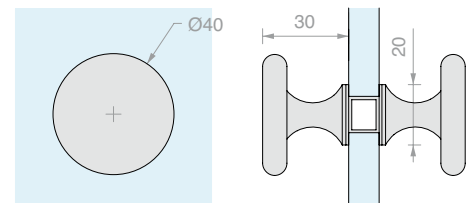


PAIR OF DOOR KNOBS WITH GRIP SOLEIL ROYAL SERIES

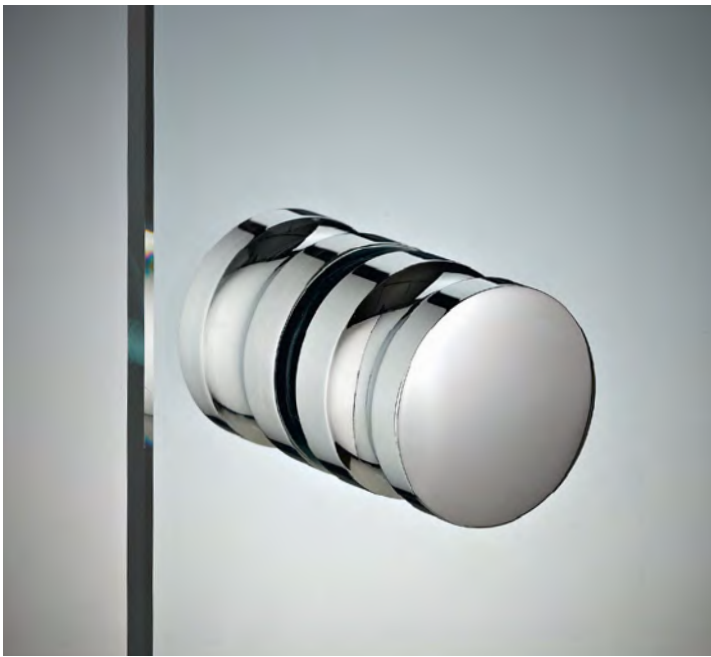
Material: AISI 304 steel

Recommended glass hole minimum size Ø12 mm

Finish: /9



Art.	For glass	Qty
POM8	From 6 to 10 mm	1 Pc

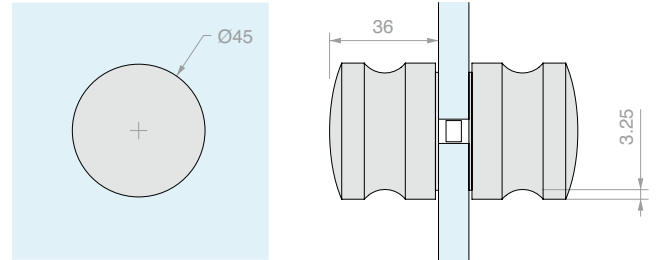


PAIR OF KNOBS WITH GRIP

Material: Brass

Recommended glass hole minimum size Ø8 mm

Finish: /1 /3



Art.	For glass	Qty
POM4535	From 8 to 13.5mm	1 Pc

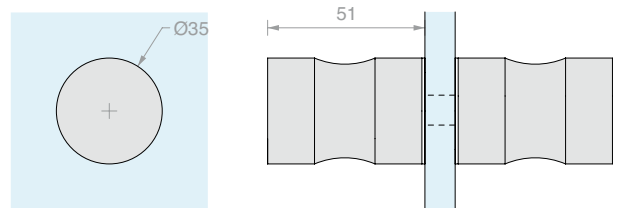


PAIR OF KNOBS WITH GRIP VETCIL35

Material: brass

Recommended glass hole minimum size Ø10 mm

Finish: /1 /2 /3



Art.	For glass	Qty
VETCIL35	From 8 to 12 mm	1 Pc

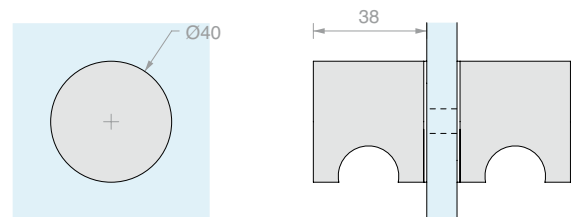


PAIR OF KNOBS WITH GRIP SP255

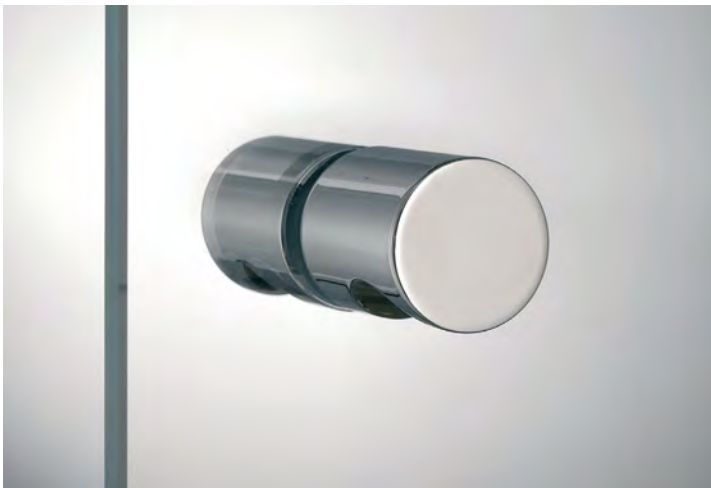
Material: brass

Recommended glass hole minimum size Ø8 mm

Finish: /1 /2 /4 /24 /R2



Art.	For glass	Qty
SP255	From 8 to 14 mm	1 Pc

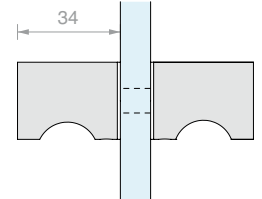
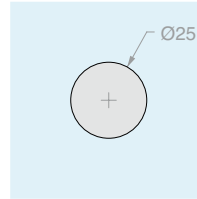


PAIR OF KNOBS WITH GRIP SP2255

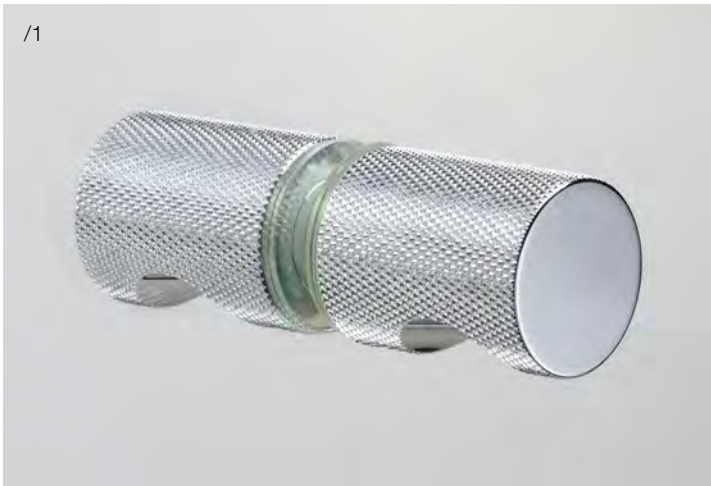
Material: brass

Recommended glass hole minimum size Ø8 mm

Finish: /1 /2 /4 /24 /R2



Art.	For glass	Qty
SP2255	From 6 to 12 mm	1 Pc

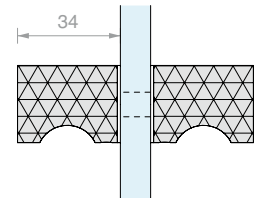
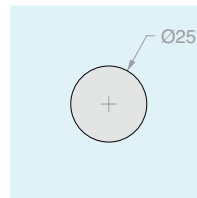


PAIR OF KNURLED KNOBS WITH GRIP SP2255GD

Material: brass

Recommended glass hole minimum size Ø8 mm

Finish: /1 /2 /4 /24 /R2



Art.	For glass	Qty
SP2255GD	From 6 to 12 mm	1 Pc

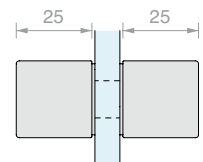
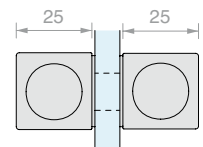
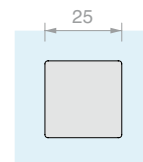


PAIR OF SQUARE KNOBS WITH GRIP

Material: brass

Recommended glass hole minimum size Ø12 mm

Finish: /1 /2 /4 /24 /R2



Art.	For glass	Qty
DQTS2525	From 8 to 12 mm	1 Pc

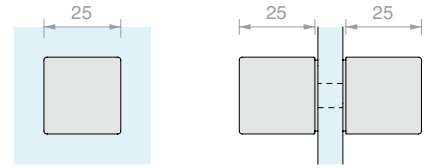


PAIR OF SQUARE KNOBS

Material: brass

Recommended glass hole minimum size Ø8 mm

Finish: /1 /2 /3 /4 /R2



Art.	For glass	Qty
DQP2525	From 8 to 15 mm	1 Pc

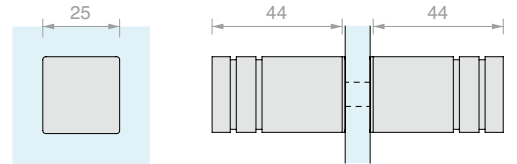


PAIR OF LONG KNOBS

Material: brass

Recommended glass hole minimum size Ø8 mm

Finish: /1 /2 /3 /4 /R2



Art.	For glass	Qty
POM2525	From 8 to 15 mm	1 Pc

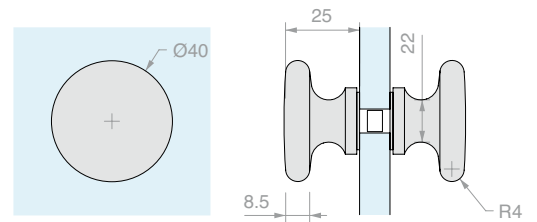


PAIR OF DOOR KNOBS

Material: Brass

Recommended glass hole minimum size Ø8 mm

Finish: /1 /3



Art.	For glass thickness	Qty
POM45PT	From 8 to 15 mm	1 Pc

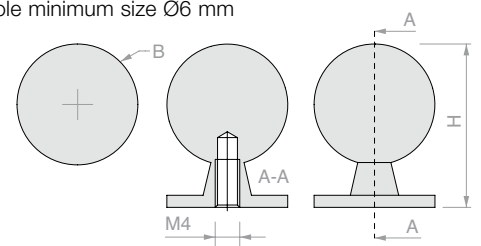


BALL DOOR KNOBS

Material: Brass

Recommended glass hole minimum size Ø6 mm

Finish: /1 /2 /3



Art.	B	H	For glass	Qty
POM01	Ø20 mm	27 mm	From 6 to 15 mm	1 Pc
POM02	Ø25 mm	33 mm	From 6 to 15 mm	1 Pc
POM03	Ø30 mm	39 mm	From 6 to 19 mm	1 Pc
POM04	Ø35 mm	45 mm	From 6 to 19 mm	1 Pc

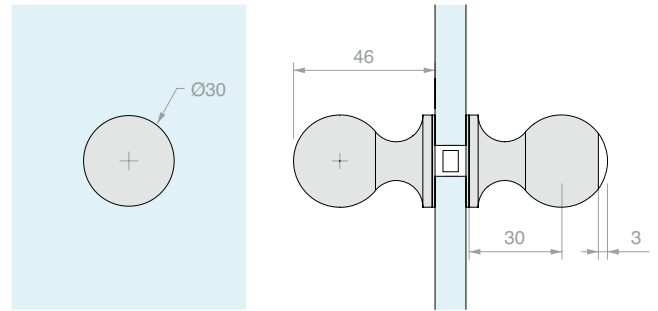


PAIR OF DOOR KNOBS WITH PVC HEAD

Material: Brass and PVC

Recommended glass hole minimum size Ø10 mm

Finish: /1 /3



Art.	For glass	Qty
POMPVC	From 6 to 15 mm	1 Pc



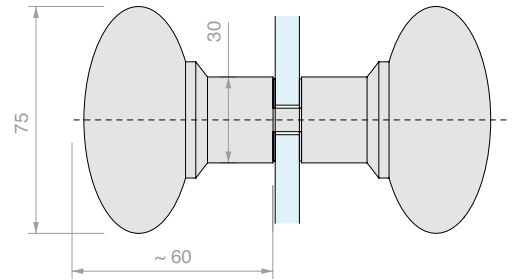
PAIR OF COMPRESSED GLASS DOOR KNOBS

Material: Glass stuck on brass base

Recommended glass hole minimum size Ø10 mm

Glass colour: brushed

Base finish: /1 /2 /3



Art.	For glass	Qty
POM75	From 8 to 12 mm	1 Pc



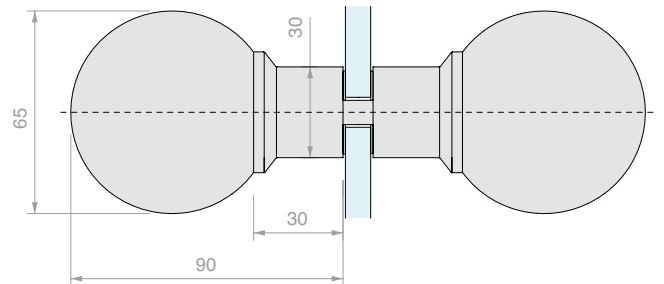
PAIR OF COMPRESSED GLASS BALL DOOR KNOBS

Material: Glass stuck on brass base

Recommended glass hole minimum size Ø10 mm

Glass colour: transparent, brushed

Base finish: /1 /2 /3

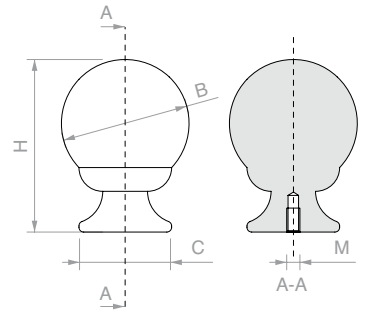


Art.	For glass	Glass	Qty
POM65T	From 8 to 12 mm	Transparent	1 Pc
POM65S	From 8 to 12 mm	Brushed	1 Pc



GLASS BALL DOOR KNOBS ARIUS SERIES

Material: Glass stuck on brass base
 Recommended glass hole minimum size Ø8 mm
 Glass colour: transparent
 Base finish: /1 /2

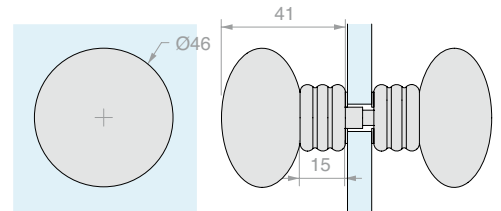


Art.	B	C	H	M	Qty
POM90540T	Ø40 mm	29 mm	57 mm	M4	1 Pc
POM90555T	Ø55 mm	41 mm	78 mm	M6	1 Pc



PAIR OF COMPRESSED GLASS DOOR KNOBS

Material: Glass stuck on brass base
 Recommended glass hole minimum size Ø10 mm
 Glass colour: transparent, brushed
 Base finish: /1 /2 /3

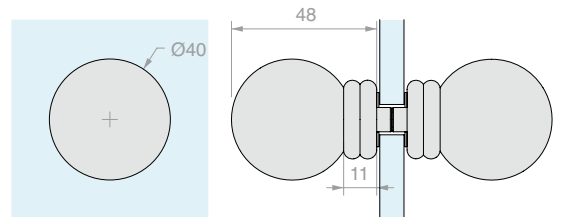


Art.	For glass	Glass	Qty
POM45T	From 5 to 8 mm	Transparent	1 Pc
POM45S	From 5 to 8 mm	Brushed	1 Pc



PAIR OF COMPRESSED GLASS BALL DOOR KNOBS

Material: Glass stuck on brass base
 Recommended glass hole minimum size Ø10 mm
 Glass colour: transparent, brushed
 Base finish: /1 /2 /3

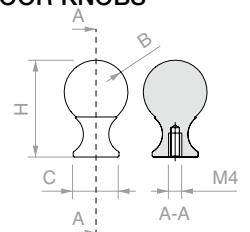


Art.	For glass	Glass	Qty
POMBD40T	From 8 to 10 mm	Transparent	1 Pc
POMBD40S	From 8 to 10 mm	Brushed	1 Pc



PAIR OF COMPRESSED GLASS BALL DOOR KNOBS

Material: Glass stuck on brass base
 Recommended glass hole minimum size Ø6 mm
 Glass colour: transparent
 Base finish: /1 /2 /3



Art.	B	C	H	Glass	Qty
POMVE20T	Ø20 mm	Ø16 mm	32 mm	Transparent	1 Pc
POMVE20S	Ø20 mm	Ø16 mm	32 mm	Brushed	1 Pc
POMVE25T	Ø25 mm	Ø18 mm	38 mm	Transparent	1 Pc
POMVE25S	Ø25 mm	Ø18 mm	38 mm	Brushed	1 Pc
POMVE30T	Ø30 mm	Ø18 mm	42 mm	Transparent	1 Pc
POMVE30S	Ø30 mm	Ø18 mm	42 mm	Brushed	1 Pc

ANALYTICAL
INDEX
VOLUME 3





Art.	Page	Art.	Page	Art.	Page	Art.	Page	Art.	Page
042,3005,100	255	057,3085,400	255	APRO4080	549	CISA2227U	539	FOP15.30	125
042,3005,200	255	057,3085,600	255	APRO4403BORH	544	CL95	321	FOP20.30	125
042,3005,300	255	057,3099,071	259	APRO4406BORH	544	CLH12	319	FOU1011.30	125
042,3005,400	255	057,3114,071	78	APRO4503BORH	545	CLHM14	319	FOU1013.30	74
042,3005,600	255	057.3010.001	382	APRO4506BORH	545	CLM11	320	FPT01	554
042,3102,071	79	057.3030.071	337	APRO4603BORH	546	CLPN	321	FPT03	554
042,3102,072	79	057.3114.071	209	APRO4606BORH	546	CLS10	320	FPT07	554
042,3114,071	79	057.3159.071	309	APROIN1203H	538	DQC63	488	FPT09	555
053.3071.300	307	057.3159.072	309	APROIN1203HM	538	DQC65	488	FPT11	555
053.3072.100	307	057.3159.073	309	APROIN17M	539	DQMATIQUE3	513	FPT21	554
053.3072.200	307	0573.030.071	355	APROIN2203H	538	DQMATIQUE44	513	FR300R	517
053.3072.300	307	AP1203BOKS	537	APROIN2203HM	538	DQMATIQUE480	514	FXGAB10	614
053.3072.600	307	AP1203BOMG	537	CAL005	555	DQMATIQUE66	513	GARDAML	475
053.3075.300	308	AP1203BOPA	536	CAL006	555	DQMATIQUE680	514	GARDATD	475
053.3324.200	306	AP1203BORH	536	CAL007	555	DQP2525	629	GB01.30	77
053.3324.300	306	AP1203BOST	536	CALMU30	555	DQS11	313	GF100	467
053.3324.600	306	AP2203BOKS	535	CARVIT8X40-A2	78	DQS13	312	GF150	470
053.3326.200	306	AP2203BOMG	535	CARVIT8X50-A2	78	DQS15	311	GF150F	470
053.3326.300	306	AP2203BOPA	534	CER148	518	DQS21	313	GF200	467
053.3326.400	306	AP2203BORH	534	CER148AL	521	DQS23	312	GF210	468
053.3326.600	306	AP2203BOST	534	CER148ALSQ	521	DQS25	311	GF400	468
053.3338.200	307	APHAFKRC	543	CER160	518	DQS37	314	GF600	470
053.3338.300	307	APHAFKRH	543	CER175	518	DQTS2525	628	GF700	470
053.3338.400	307	APHAFKSC	541	CER4AL	520	ELEK100	409	GK200	472
053.3338.600	307	APHAFKSH	541	CER4ALSQ	520	ELEK218	408	GK800	473
053.3342.200	306	APHANDGD	548	CERMGLISS	524	ELEK290	409	GL10	477
053.3342.300	306	APHANDRC	542	CERPOS155	122	ELEK390	410	GL200P	472
053.3342.600	306	APHANDRH	542	CERPOS170ALL	210	ELEK436	408	GL200S	472
053.3361.071	308	APHANDSC	540	CERPOS170COV	210	ELEKTRA100	409	GL200SU	472
053.3361.072	308	APHANDSH	540	CERPOS170SYNC	210	ELEKTRA218	408	GL25	477
057,3030,071	259	APHANDTC	548	CERPOS514	211	ELEKTRA290	409	GL7100	474
057,3073,071	79	APRO1008	547	CERPOS514-C	211	ELEKTRA390	410	GL7200	474
057,3073,072	78	APRO1010	547	CERPOS514-T	211	ELEKTRA436	408	GL7300	474
057,3078,002	257	APRO1012	547	CERPT80	493	FA100	522	GL7311	490
057,3080,001	322	APRO1013	547	CERPT80SQ	492	FA180	523	GL7433	474
057,3080,002	322	APRO1020	549	CGS1620DX	482	FA50	522	GL7439	474
057,3084,200	254	APRO1050	549	CGS1620SX	482	FA580	523	GL800	473
057,3084,300	254	APRO4008	547	CGS1640DX	483	FH300C	517	GL8815	476
057,3084,400	254	APRO4010	547	CGS1640SX	483	FIXBORK1	410	GL8819	476
057,3084,600	254	APRO4012	547	CHN28	318	FIXGHIERA10	410	GL8823	476
057,3085,200	255	APRO4013	547	CHN31	318	FIXGHIERA8	410	GL8824	476
057,3085,300	255	APRO4040	549	CISA2227D	539	FOP10.30	125	GLM20002MUR	330



Art.	Page	Art.	Page	Art.	Page	Art.	Page	Art.	Page
GLM20002SOF	332	GLMBLC01	336	GNW20	381	HAND12062VHB	612	IBTCUT	455
GLM20002VET	331	GLMBLCDX	336	GNW3500	381	HAND13040	620	IMB1004SKITD	446
GLM20003MUR	330	GLMBLCSX	336	GNW35002	380	HAND13040VHB	612	IMB1004SKITSC	446
GLM20003SOF	332	GLMBRM	344	GNW35003	380	HAND32140VHB	81	IMB1004SKITU	446
GLM20003VET	331	GLMBRV	345	GNW35004	380	HAND6640	620	IMB1454SKITD	448
GLM20004MUR	330	GLMBST	363	GNW3550	381	HAND6640VHB	612	IMB1454SKITSC	448
GLM20004SOF	332	GLMBST200	363	GP77	77	HD3301	486	IMB1454SKITU	448
GLM20004VET	331	GLMBST300	363	GS01100	559	HD3302D	486	IMB2544	444
GLM2106	335	GLMBST400	363	GS01875	559	HD3302F	486	IMB254415	444
GLM2500	334	GLMCAV2	334	GSB12	322	HD3303	461	IMB254430	444
GLM2550	334	GLMCAV3	334	GSB831	323	HD3304	490	IMB2550SKITD	432
GLM3000	344	GLMCAV4	334	GSL3000	556	HD3305D	488	IMB2550SKITSC	432
GLM30002MUR	342	GLMDSTP	345	GSL812	557	HD3305P	488	IMB2550SKITU	432
GLM30002VET	342	GLMDSTV	345	GSLS217	323	HD3305U	488	IMB25KIT	442
GLM30003MUR	342	GLMFERM	364	GSLSVL	322	HD3306	490	IMB43148KITD	438
GLM30003VET	342	GLMFORO	344	GSP03100	561	HD3307DX	487	IMB43148KITSC	438
GLM30004MUR	342	GLMGREG	365	GTUP2	121	HD3307SX	487	IMB43148KITU	438
GLM30004VET	342	GLMMOLL	336	GTUP2G	121	HD3308DX	487	IMB4344	444
GLM3020	354	GLMRC	363	GTUP2N	121	HD3308-SLIDER	491	IMB434415	444
GLM3023	345	GLMRCT	353	GTUP3	121	HD3308SX	487	IMB434430	444
GLM3050	344	GLMRL	363	GTUP3G	121	HD3309	489	IMB4350KITD	436
GLM32002PAR	350	GLMSST	354	GTUP3N	121	HD3310	489	IMB4350KITSC	436
GLM32002PLA	352	GLMSTOPDX	365	GTUP4	121	HS1010PB	481	IMB4350KITU	436
GLM32002VET	351	GLMSTOPSX	365	GTUP4G	121	HS1010PS	481	IMB43KIT	443
GLM32003PAR	350	GLMTND20	344	GTUP4N	121	HS1010SB	479	IMBCUT	445
GLM32003PLA	352	GLMTND30	344	GTUP5	121	HS1010SPL	485	IMBG	444
GLM32003VET	351	GLMTND40	344	GTUP5G	121	HS1010SS	479	IMBKIT100-8	452
GLM32004PAR	350	GM65002MUR	370	GTUP5N	121	HS1010SSB	480	IMBKIT8	452
GLM32004PLA	352	GM65002VET	371	GTUP6	121	HS1010SSS	480	LAVCER	431
GLM32004VET	351	GM65003MUR	370	GTUP6G	121	HS66100	459	LAVPRO2	431
GLM33M5	335	GM65003VET	371	GTUP6N	121	HS66200	459	LAVPRO3	431
GLM33VT	335	GM65004MUR	370	GZ-TS071924	501	HS66INF	460	LAVSER	431
GLM6500	372	GM65004VET	371	GZ-TS3000V	501	HS66POZ	461	LM0023C.300	74
GLM6550	372	GM85002MUR	360	GZ-TS500NV110	498	HS66POZSL	461	LM0023C.400	74
GLM7000	353	GM85002PLA	362	GZ-TS500NV90	498	HS66SAFE	461	LM0040C.100	72
GLM8300A	335	GM85002VET	361	GZ-TS550NV	500	HS66SUP	460	LM0040C.150	72
GLM8500	363	GM85003MUR	360	GZ-TSADT	499	IBT100	454	LM0040C.300	72
GLMAN	353	GM85003PLA	362	HAND10052	620	IBT10015	454	LM0055C.200	74
GLMATM	363	GM85003VET	361	HAND10052VHB	612	IBT10030	454	LM0055C.300	74
GLMATS	364	GM85004MUR	360	HAND10057	620	IBT90145	454	LM0055C.400	74
GLMATV	364	GM85004PLA	362	HAND10057VHB	612	IBT9014515	454	LM0055C.600	74
GLMBDLN15	344	GM85004VET	361	HAND12062	620	IBT9014530	454	LM0064C.200	120



Art.	Page	Art.	Page	Art.	Page	Art.	Page	Art.	Page
LM0064C.300	120	LM2V082.300	70	LM5864P.600	120	LM75059TP33	208	LMGW1300	248
LM0064C.400	120	LM2V082.400	70	LM5864S.200	120	LMC0038.300	73	LMGW1400	252
LM0064C.600	120	LM2V082.600	70	LM5864S.300	120	LMC0038.400	73	LMGWS200	224
LM0075C.200	206	LM31042TP32	208	LM5864S.400	120	LMC13.100	121	LMGWS300	224
LM0075C.300	206	LM31044TP32	208	LM5864S.600	120	LMC13.200	121	LMGWS400	228
LM0075C.400	206	LM3110.200	204	LM600025DE	494	LMC13.300	121	LMGWSB200	254
LM0075C.600	206	LM3110.300	204	LM600025FR	494	LMC36GPK12.200	272	LMGWSB300	254
LM0100C.200	206	LM3110.400	204	LM600025IT	494	LMC36GPK21.200	292	LMGWSB400	254
LM0100C.300	206	LM3110.600	204	LM6010525DE	494	LMC36GPK21C.400	296	LMGWSB600	254
LM0100C.400	206	LM3120.200	206	LM6010525FR	494	LMC36GPPK11CF.400	280	LMGWSI200	240
LM0100C.600	206	LM3120.300	206	LM6010525IT	494	LMC36GPPK11F.200	276	LMGWSI300	240
LM04855.200	70	LM3120.400	206	LM6010533DE	494	LMC36GPPK12.200	270	LMGWSI400	244
LM04855.300	70	LM3120.600	206	LM6010533FR	494	LMC36GPPK21.200	284	LMGWSIB200	254
LM04855.400	70	LM320	604	LM6010533IT	494	LMC36GPPK21C.400	288	LMGWSIB300	254
LM04855.600	70	LM32040.100	73	LM609020DE	494	LMC36GPPK21CF.400	304	LMGWSIB400	254
LM10022TP33	208	LM32040.150	73	LM609020FR	494	LMC36GPPK21F.200	300	LMGWSIB600	254
LM10042TP33	208	LM32040.300	73	LM609020IT	494	LMCA065.100	74	LMGWST01	256
LM10044TP33	208	LM36040.100	72	LM609025DE	494	LMCA065.150	74	LMINT-AM11	78
LM10059TP33	208	LM36040.150	72	LM609025FR	494	LMCA065.200	74	LMINT-AM22	73
LM10090TP33	208	LM36040.300	72	LM609025IT	494	LMCA065.300	74	LMINT-GT915	80
LM128	604	LM38045.100	71	LM609033DE	494	LMCA065.400	74	LMINT-PCOV30.100	68
LM17019TP10	309	LM38045.150	71	LM609033FR	494	LMCA065.600	74	LMINT-PCOV30.150	68
LM21.200	70	LM38045.300	71	LM609033IT	494	LMCC065.100	75	LMINT-PGUA30.100	68
LM21.300	70	LM38065.100	71	LM63061TP33	121	LMCC065.150	75	LMINT-PGUA30.150	68
LM21.400	70	LM38065.150	71	LM64051TP33	76	LMCC065.200	75	LMINT-VFIX30.100	69
LM21.600	70	LM38065.300	71	LM64055TP33	76	LMCC065.300	75	LMINT-VFIX30.150	69
LM224	604	LM3V112.200	205	LM64098TP33	76	LMCC065.400	75	LMP6511.200	90
LM25040.300	73	LM3V112.300	205	LM64145TP33	77	LMCC065.600	75	LMP6511.300	90
LM25040.400	73	LM3V112.400	205	LM660040DE	495	LMDMP070Z	123	LMP6511C.400	94
LM26075.200	205	LM3V112.600	205	LM660040FR	495	LMDMP100Z	123	LMP6511CF.400	102
LM26075.300	205	LM3V129.200	71	LM660040IT	495	LMGF	122	LMP6511F.200	98
LM26075.400	205	LM3V129.300	71	LM669020DE	495	LMGF13-POM	125	LMP6511F.300	98
LM26075.600	205	LM3V129.400	71	LM669020FR	495	LMGF15	309	LMP6521.200	106
LM26100.200	205	LM3V129.600	71	LM669020IT	495	LMGW	258	LMP6521.300	106
LM26100.300	205	LM40045.300	72	LM669030DE	495	LMGWF200	232	LMP6521C.400	110
LM26100.400	205	LM40045.400	72	LM669030FR	495	LMGWF300	232	LMP6521CF.400	118
LM26100.600	205	LM48035TP10	309	LM669030IT	495	LMGWF400	236	LMP6521F.200	114
LM2V080.200	204	LM54040TP32	75	LM669040DE	495	LMGWI.B200	255	LMP6521F.300	114
LM2V080.300	204	LM54049TP32	75	LM669040FR	495	LMGWI.B300	255	LMPERNOD	496
LM2V080.400	204	LM5864P.200	120	LM669040IT	495	LMGWI.B400	255	LMPERNOF	496
LM2V080.600	204	LM5864P.300	120	LM75042TP33	208	LMGWI.B600	255	LMPERNOI	496
LM2V082.200	70	LM5864P.400	120	LM75044TP33	208	LMGWI200	248	LMPIA01	496



Art.	Page	Art.	Page	Art.	Page	Art.	Page	Art.	Page
LMPIA02	496	LMV10013F.400	174	MAN404V320	610	MAP-B320MSX	571	MN251200	601
LMPS-PSD55	123	LMV10021.200	182	MAN404V448	610	MAP-BASE	566	MN25300	600
LMPS-STP55	122	LMV10021.300	182	MAN408V160	611	MAP-BASEMDX	567	MN25400	600
LMSIN-2AC11	80	LMV10021C.400	190	MAN408V320	611	MAP-BASEMSX	567	MN25500	600
LMSIN-2AC170	213	LMV10021CF.400	202	MAN408V448	611	MAP-C220	572	MN25800	600
LMSIN-2AC500	213	LMV10021F.200	196	MAN40A	618	MAP-C220MDX	573	MN25850	601
LMSIN-2AT21	80	LMV10021F.300	196	MAN40C	618	MAP-C220MSX	573	MNQ2470	624
LMSIN-2AT502	212	LMV3111.200	134	MAN412V250	609	MAP-C320	572	MNQL25300	607
LMSIN-3AT31	80	LMV3111.300	134	MAN412V350	609	MAP-C320MDX	573	MNQL25400	607
LMSIN-3AT503	213	LMV3111C.400	142	MAN414V250	610	MAP-C320MSX	573	MNQLAC25300	607
LMSIN-AC55	123	LMV3121.200	178	MAN414V350	610	MAP-E220	574	MNQLAC25400	607
LMSINCRO	258	LMV3121.300	178	MAN500V150	611	MAP-E220MDX	575	MNTL25300	606
LMSIN-GA55	123	LMV3121C.400	186	MAN60A	619	MAP-E220MSX	575	MNTL25400	606
LMT6511.200	30	LMV7511.200	136	MAN60C	619	MAP-E320	574	MNTLAC25300	606
LMT6511.300	30	LMV7511.300	136	MAP101	580	MAP-E320MDX	575	MNTLAC25400	606
LMT6511C.400	34	LMV7511C.400	144	MAP101-BOLT	580	MAP-E320MSX	575	MSC5	622
LMT6511CF.400	42	LMV7511CF.400	156	MAP103	580	MAP-F220	576	MSC6	623
LMT6511F.200	38	LMV7511F.200	150	MAP105	581	MAP-F220MDX	577	MSC7	622
LMT6511F.300	38	LMV7511F.300	150	MAP107	581	MAP-F220MSX	577	MSC8	623
LMT6512.300	46	LMV7521.200	180	MAP109	581	MAP-F320	576	MSC9	619
LMT6512F.300	50	LMV7521.300	180	MAP111	581	MAP-F320MDX	577	PBA200CK	594
LMT6513.400	54	LMV7521C.400	188	MAP113	582	MAP-F320MSX	577	PBA200CKQ	594
LMT6513F.400	58	LMV7521CF.400	200	MAP114	582	MAP-G220	578	PBA200CSK	594
LMT6521.200	62	LMV7521F.200	194	MAP115	583	MAP-G220MDX	579	PBA200QV01	587
LMT6521.300	62	LMV7521F.300	194	MAP116	583	MAP-G220MSX	579	PBA200QV01/D	587
LMT6521.400	66	LOGS10D	491	MAP117	583	MAP-G320	578	PBA200QY02	588
LMTAS	79	LOGS10U	491	MAP119	583	MAP-G320MDX	579	PBA200QY04	588
LMT CUT	81	M107	533	MAP121	583	MAP-G320MSX	579	PBA200QY04/A	588
LMT CUTDR	81	M135	533	MAP123	582	MAQ40	615	PBA200QY06/A	588
LMU20.100	121	MABDQ40	614	MAP125	582	MAQ60	615	PBA200Y002	590
LMU20.150	121	MABDT40	614	MAP127	582	MAT40	615	PBA200Y004	590
LMU20.300	121	MAL6036	617	MAP-A220	568	MAT4314	616	PBA200Y004/A	590
LMU20TP	121	MAL6050	617	MAP-A220MDX	569	MAT4320	616	PBA200Y006/A	590
LMV10011.200	138	MAN30A	618	MAP-A220MSX	569	MAT60	615	PBA200YA02	592
LMV10011.300	138	MAN30C	618	MAP-A320	568	MAT6314	616	PBA200YA04	592
LMV10011C.400	146	MAN400V160	608	MAP-A320MDX	569	MAT6320	616	PBA200YA04/A	592
LMV10011CF.400	158	MAN400V320	608	MAP-A320MSX	569	MAT8314	617	PBA200YA06/A	592
LMV10011F.200	152	MAN400V448	608	MAP-B220	570	MAT8320	617	PBA71	595
LMV10011F.300	152	MAN401V160	609	MAP-B220MDX	571	MFM14025	81	PBA911	595
LMV10012.300	162	MAN401V320	609	MAP-B220MSX	571	MN1620	600	PBAAD81	595
LMV10012F.300	166	MAN401V448	609	MAP-B320	570	MN2020	600	PBAAS11	595
LMV10013.400	170	MAN404V160	610	MAP-B320MDX	571	MN2030	624	PBD3183	256



Art.	Page	Art.	Page	Art.	Page	Art.	Page	Art.	Page
PBD3183.150	256	PH2819	417	POM65S	630	PROFIX3060	394	S1221	530
PBD3183.220	256	PH2828	417	POM65T	630	PROFIX4125	393	S1223	530
PD001	430	PH50508	416	POM75	630	PROFIX4272	393	S1227	527
PD002	430	PH50510	416	POM8	510	PROFIXG	399	S1228	527
PD003	455	PH50511	416	POM90540T	631	PROFIXTP18	399	S1229	527
PD12	430	PH50512	416	POM90555T	631	PROFIXTP22	399	S1231	527
PD148RKIT10D	424	PH9113	417	POMBD40S	631	PROFIXTP25	399	SERH01	550
PD148RKIT10SC	424	PH9117	417	POMBD40T	631	PROFIXTPU	393	SERH03	550
PD148RKIT10U	424	PH9121	417	POMPVC	630	PROFIXTPU810	395	SERH05	550
PD148RKIT12D	424	PI07	497	POMVE20S	631	PROTAP0820	400	SERH07	550
PD148RKIT12SC	424	PIVAN01	519	POMVE20T	631	PROTAP1020	400	SERH09	550
PD148RKIT12U	424	PIVAN04	519	POMVE25S	631	PROTAP1225	400	SERH11	550
PD148SKIT10D	420	PIVAN05	519	POMVE25T	631	PROTAP1240	400	SERH13	550
PD148SKIT10SC	420	PIVAN08	519	POMVE30S	631	PROTAP1425	400	SERH15	551
PD148SKIT10U	420	PIVOTB002	463	POMVE30T	631	PROTAP1440	400	SERH17	538
PD148SKIT12D	420	PIVOTB004	463	PROALUX1520	402	PROTAP1520	403	SERMF13	552
PD148SKIT12SC	420	PIVOTB006	464	PROALUX1530	402	PROTAP1530	403	SERMF15	552
PD148SKIT12U	420	PIVOTB008	464	PROALUX1720	402	PROTAP1720	403	SERMFGL1	553
PD4RKIT10D	422	PIVOTB010	465	PROALUX1730	402	PROTAP1730	403	SERMG10P	315
PD4RKIT10SC	422	PIVOTS011	465	PROALUX1920	403	PROTAP1920	403	SERMG10S	315
PD4RKIT10U	422	PIVOTS014	465	PROALUX1930	403	PROTAP1930	403	SERMG10SU	315
PD4RKIT12D	422	PM1	605	PROALUXG	403	PS03	497	SERMG12	317
PD4RKIT12SC	422	PM2	605	PROALUXG400	403	R7150	405	SERMG19	317
PD4RKIT12U	422	PM3	605	PROFALL0820	400	R7166	405	SERMGC1	315
PD4SKIT10D	418	PM4	605	PROFALL1020	400	R7166FORO	405	SERMGM10P	316
PD4SKIT10SC	418	PMAN1131	602	PROFALL1225	400	R7170	405	SERMGM10S	316
PD4SKIT10U	418	PMAN1322	603	PROFALL1240	400	R7170FORO	405	SERMGM10SU	316
PD4SKIT12D	418	PMAN1332	603	PROFALL1425	400	REGTERGUA	77	SERMYC1	516
PD4SKIT12SC	418	PMAN1340	603	PROFALL1440	400	RMA1319	407	SERMYC300	516
PD4SKIT12U	418	PMAN1530	604	PROFIX1630	392	RMA1373	406	SERMYC308	516
PD8A	430	PMAN90	602	PROFIX1660	392	RMA1382	406	SERMYC310	516
PDKIT02	428	POM01	629	PROFIX1830	398	RMA1390	406	SERMYC312	516
PDKIT05	428	POM02	629	PROFIX1860	398	S1201CORP	528	SERMYL	516
PDMUR66	431	POM03	629	PROFIX2130	392	S1203CORP	528	SERMYMP	515
PFD00R66	429	POM04	629	PROFIX2160	392	S1205KCORP	529	SERMYMS	515
PFD00R6615	429	POM1ACC20	626	PROFIX2230	398	S1207KCORP	529	SERMYMSU	515
PFD00R6630	429	POM1ACC25	626	PROFIX2260	398	S1209	530	SERMYP	515
PFD00R810	429	POM2525	629	PROFIX2430	394	S1211	530	SERMYS	515
PFD00R81015	429	POM4535	627	PROFIX2460	394	S1213	530	SERMYSU	515
PFD00R81030	429	POM45PT	629	PROFIX2530	399	S1215	530	SEROYC	511
PFD00RCUT	431	POM45S	631	PROFIX2560	399	S1217U	491	SEROYP	511
PH2792	417	POM45T	631	PROFIX3030	394	S1219	530	SEROYS	511



Art.	Page	Art.	Page	Art.	Page	Art.	Page
SEROYSD	511	SPH2	509	UT250	365	ZSIT800	596
SERSD610P	310	SR118CORP	526	UT300	337	ZSS1400	585
SERSD610S	310	SR119CORP	525	UTC200R	345	ZSS1400U	585
SERSD610SU	310	SR119M	533	UTC250R	365	ZUV	599
SERSD620	310	SR1220CORP	525	UTC300R	337		
SERSD915P	385	SR1224	527	UTR65	399		
SERSD915S	385	SRC118	527	VETCIL35	627		
SERSD915SU	385	SRS1180CORP	526	VIT7981-4.8X38-ZN	78		
SERSD941	385	STL02CORP	531	VIT7981-4.8X60-ZN	78		
SGS15L	485	STL04CORP	531	VIT965-3X8-ZN	307		
SGS17L	485	STL05	532	YC300	516		
SGS2115D	484	STL06CORP	531	YC308	516		
SGS2115U	484	STL07	532	YC310	516		
SGS2117D	484	STPDX	337	YC312	516		
SGS2117U	484	STPSX	337	ZATT	599		
SGS2121D	484	SX-BT903	506	ZMMS1400	585		
SGS2121U	484	SX-BTKIT	505	ZMMS1400U	585		
SGS21L	485	SX-BTUP1	507	ZMT/A	596		
SGS2315MD	484	SX-BTUP3	506	ZMT1400	596		
SGS2315MU	484	SX-BTUP5	507	ZMT2000	596		
SGS2317MD	484	SX-JS1053DE	503	ZMT400	596		
SGS2317MU	484	SX-JS1053FR	503	ZMT500	596		
SGS2321MD	484	SX-JS1053IT	503	ZMT800	596		
SGS2321MU	484	SX-JS1054DE	503	ZPI/A	598		
SGS2715M	485	SX-JS1054FR	503	ZPI500	598		
SGS2717M	485	SX-JS1054IT	503	ZPI800	598		
SGS2721M	485	SX-JS903DE	503	ZQUA/A	597		
SP2255	628	SX-JS903FR	503	ZQUA1400	597		
SP2255GD	628	SX-JS903IT	503	ZQUA500	597		
SP255	627	SX-JS903PMRDE	503	ZQUA800	597		
SPC501	509	SX-JS903PMRFR	503	ZSIP/A	598		
SPC503	509	SX-JS903PMRIT	503	ZSIP500	598		
SPC507	510	SX-JS904DE	503	ZSIP800	598		
SPC509	510	SX-JS904FR	503	ZSIQ/A	597		
SPH100	411	SX-JS904IT	503	ZSIQ1400	597		
SPH102	412	SX-JS905DE	503	ZSIQ500	597		
SPH104	412	SX-JS905FR	503	ZSIQ800	597		
SPH106	412	SX-JS905IT	503	ZSIT/A	596		
SPH108	412	TS250065	125	ZSIT1400	596		
SPH110	414	TS250125	125	ZSIT2000	596		
SPH112	415	TS250155	125	ZSIT400	596		
SPH114	414	UT200	345	ZSIT500	596		

The information provided is for information purposes only.
Logli Massimo SpA reserves the right to make changes of any
nature at any time to one or more products, or to cease their production.
The General Terms of Sale can be found in the catalogue.



Logli Massimo S.p.A
Via Chemnitz, 49/51
59100 Prato - Italy
www.sg-logli.it

