

1
2
3
4
5
6

CATALOGUE **OUTDOORS**

Canopies

Sliding doors

Facades

FINISHES



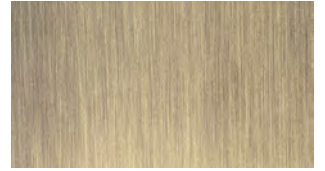
/1
Chrome



/2
Gold



/3
Brushed nickel



/4
Bronze



/5
White



/6
Matt black



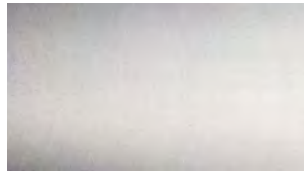
/7
Matt chrome



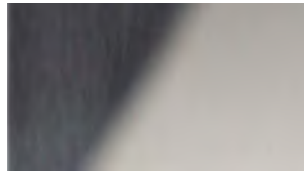
/8
Brushed steel



/9
Machining steel (CNC)



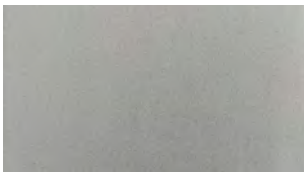
/10
Raw aluminium



/15
Polished steel



/24
Brushed steel effect



/45
Matt aluminium effect



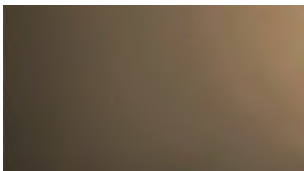
/56
Grey



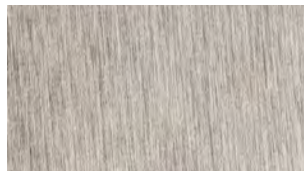
/65
Matt black



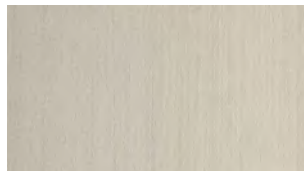
/66
Champagne aluminium



/67
Dark brushed bronze aluminium



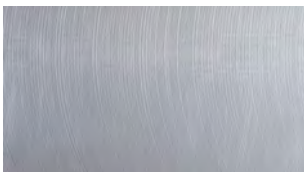
/83
PVD brushed steel



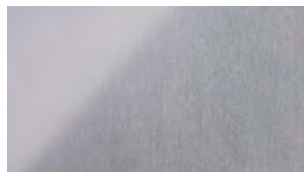
/88
Brushed steel effect aluminium



/89
Galvanised iron



/90
Machining aluminium



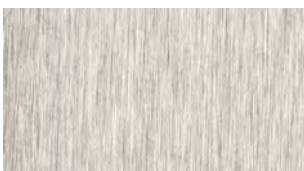
/91
Polished aluminium



/92
Matt nickel



/93
Brass coated



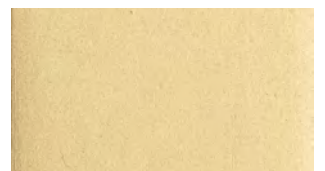
/94
Brushed chrome



/95
Nickel-coated



/97
Matt aluminium



/99
Brushed gold



/R2
RAL9005 matt black



/R6
RAL9016 matt traffic white



/R13
RAL7016 matt anthracite grey



/RAL
RAL9010 polished white

CATALOGUE
OUTDOORS

SINCE 1989

INNOVATION SERVING DESIGN FOR MORE THAN 30 YEARS

Since 1989 we are committed to satisfying the needs of glassworks, installers, and designers, offering advanced solutions that guarantee the utmost comfort. Our mission is to provide high-tech, long-lasting, reliable, high-quality products designed to exceed the expectations of every customer.





INNOVATION AND RESEARCH

OUR TECHNOLOGICAL APPROACH

Thanks to our laboratory and a team of specialised engineers, we are able to design and develop custom solutions for glassworks, installers, and interior designers. Our highly qualified personnel provide constant customer support through technical consultation and training courses.

Active collaboration with universities and national and international research institutes such as TÜV, the Politecnico di Milano, CSTB (France), and LSL (Germany) guarantee access to specialized skill and equipment when verifying systems such as balustrades, canopies, doors, and glass partitions. This enables the highest quickness and efficiency in developing new products and supporting customers with ad hoc laboratory tests.





AVIS
TECHNIQUE



ABP
Allgemeines
bauaufsichtliches
Prüfzeugnis

**British
Standard**
6180:2011

UNI 11678:2017

NTC 2018

NBN B 03-004

ALUMINIUM ASSOCIATION
*** EUROPEAN
EURAS
ASSOCIATION
ANODISERS
WAA

Qualanod



• **TEST REPORT** •
Politecnico di Milano

GINGER
CEBTP

LUCIDEON

Certificates and testing reports apply to selected products depending on the type and intended use.



A close-up photograph of a circular saw blade in motion, cutting through a metal beam. The blade is on the left, and the metal beam is on the right. The background is a bright, slightly blurred industrial setting.

THE WAREHOUSE AND WORKSHOP

EFFICIENCY, WIDE PRODUCT RANGE, AND IMMEDIATE AVAILABILITY

The unique features that makes the Logli brand stand out on the market include facility, personnel, product, and especially the service. With more than 7000 items in stock, we guarantee immediate availability not only of the simplest accessories, but also the most complex systems. Through important investments in four automated vertical warehouses and advanced logistics management, we guarantee order shipments in Italy within 24 hours and quick and prompt delivery.

THE EXPERIENCE AND RESEARCH OF A WORLD LEADER

The 16th of March 2018 marks a crucial moment in our history: joining the prestigious Saint-Gobain Group, a multinational company with a history of over 355 years in design of solutions for sustainable construction. This important step is a clear recognition of the excellence achieved by the company in the field of technological glass solutions.

Future innovation may rely on synergy with other brands in the Group, giving rise to increasingly advanced technological solutions.

The culture of Saint-Gobain, which we have made our own, is based on a set of values expressed in the Behaviour and Conduct Principles: respect for people, law, environment, health, and workplace safety are some of the premises that guide the Group's action and its constant aspiration to become a leader in sustainable construction.



It designs, produces, and distributes materials for safety and comfort that are in all living spaces: Buildings, transport, infrastructure, and many industrial applications.



75 countries

100 One of the TOP 100 innovative companies in the world

168,000 employees

400 patents registered each year

€51.2 billion total turnover 2022

€450 million R&D investments last year

With 355 years behind it, the Group offers next-generation materials and integrated solutions to make 'living spaces' more comfortable and sustainable, contributing to the well-being of people and protecting the planet while situating itself as a global point of reference in the efficient use of natural resources with respect for the environment.



In Italy, Saint-Gobain is present in the fields of construction materials, transport and industry.

2,100 employees

€1 billion turnover 2022

41 sites



CONSTRUCTION

Next-generation materials produced for 90% in our country, designed to create excellent living spaces and improve the quality of daily life through solutions created to build more energy-efficient buildings and reduce consumption and pollutant emissions.



TRANSPORT

Production and worldwide distribution of glass for the automotive, aerospace, rail, naval sectors, and industrial vehicles.



INDUSTRY

A wide range of solutions: abrasives and ceramic products for glass furnaces and steelworks, technical adhesive tapes that constitute a unique high-performance range, and chemical or special construction products.



SUSTAINABILITY FOR SAINT-GOBAIN: A GROUP STRATEGY

In 2020, the Saint-Gobain Group declared its corporate purpose: *'Making the world a better home'*. Its ambition is to improve the life of everyone, making the planet a more equitable and sustainable place to live, which is also open and inclusive. Together with and for our customers, **we design materials and solutions that guarantee well-being, living comfort, and safety, while taking care to protect the planet.**

Our corporate purpose is a call to action, a strategy aimed at the future that encourages innovation while respecting the union between humanity and nature.

Saint-Gobain **aims to be recognized as a world leader in sustainable building**, improving the daily life of all those using its products. **This commitment not only regards our operations and processes, but also marketing solutions that actively contribute to reaching the decarbonisation objectives of the sector.**

Being a leader means promoting a systemic transformation, embracing values, commitments, and actions that guide the change, becoming a point of reference for all stakeholders.

The geographical organization of the Group can offer custom solutions for the specific needs of local markets in terms of construction methods or styles, building systems, and different climate characteristics, both in renovation of existing buildings and in new construction.

**MAKING
THE WORLD
A BETTER
HOME**

BETTER FOR THE PEOPLE, BETTER FOR THE PLANET

Like Saint-Gobain, we embrace our social and environmental responsibility as an opportunity to create value together with our stakeholders. In fact, by creating mutual trusting relationships, we believe we can increase awareness about issues of sustainability and create virtuous cycles for the long-term business path.



BETTER FOR THE PEOPLE

For employees, collaborators, suppliers, and partners, this means expanding the 'company culture' through solid governance, **attention for health and safety, constant training, and the creation of an inclusive working environment.**

For local communities, we are dedicated to supporting **solidarity initiatives through the Saint-Gobain Foundation** and we support young talent by promoting the **Architecture Student Contest**, an annual competition dedicated to students of architecture and construction engineering around the world.



BETTER FOR THE PLANET

More than other sector, construction can influence the future of the planet, so **buildings and sustainability represent an unavoidable combination.**

Our production impacts the environment in terms of emissions, energy consumption, water use, and natural resources. The value of the Group consists of **products and sustainable and efficient production methods, designed to minimise environmental impacts** in manufacturing processes and engineered to **maximise performance** during the entire life cycle of the buildings, contributing significantly to the objectives of decarbonisation and circularity in the industry. Saint-Gobain Italia is ISO 14001:2015 and ISO 9001:2015 certified.

OUR COMMITMENT TO THE ENVIRONMENT

Contributions that our materials may bring to different sustainability certifications.



Reducing energy consumption and pollutant emission is one of the main objectives of Saint-Gobain, which develops, produces, and distributes innovative solutions to create more energy-efficient buildings. The development of a **passive envelope**, which contributes to energy retention, is the most economically sustainable solution for making buildings more efficient.



Many of our products contain recycled materials. We are constantly dedicated to increasing recycled content, contributing to reducing the consumption of raw materials and environmental impacts tied to their life cycle.



The Saint-Gobain Group has developed different projects that aim to **enhance waste**, decrease energy consumption, and use less raw material.



The Life Cycle Assessment (LCA) is very important. This study assesses the material and energy flows associated with the different stages in the life of a product (extraction of raw materials, production, use, final disposal). The goal of the assessment is to analyse the impacts associated with the different phases in the life of the product in order to optimise production processes with respect to environmental sustainability.



Closely connected to the Life Cycle Assessment is EPD® (Environmental Product Declaration) Certification. The purpose of this is to convey environmental information deriving from the LCA in a format and based on predefined common rules, the PCR (Product Category Rules). Many products manufactured by the Saint-Gobain Group carry this certification.



The extensive presence of Saint-Gobain in Italy, with production units and logistics centres around the country, limits road transport and thus pollution, favouring the **spread of local materials.**



In promoting a responsible and conscious environmental attitude, Saint-Gobain has decided to become a member of the GBC Italia association.

STANDARDS OF ENVIRONMENTAL SUSTAINABILITY



The **LEED V4.1** standard, which supports the existing LEED v4 standard, is based on a system of prerequisites and credits for design, construction, and management of buildings and sustainable areas.



The **BREEAM** (Building Research Establishment Environmental Assessment Method) system is based on verifying design, construction, and use of the building.



The purpose of the **WELL** protocol is to integrate aspects connected to personal health and well-being in building project design and construction.



With the enactment of the new Contract Code in Italy, **CAM** were updated with Italian Ministerial Decree 23 June 2022 on the assignment of design services and work on new constructions, restorations, and maintenance of public buildings.





2024 COLLECTION

6 VOLUMES

1750 PAGES

The first series consisting of 6 volumes that covers the entire range of glass solutions designed by Logli. The collection is designed to provide a complete, detailed overview of all the articles offered by Logli.

Each volume deals extensively with a specific product series, offering technical information combined with practical applications.

It is the ideal compendium for those looking for high-quality glass solutions.

All volumes are
available for download by
scanning the QR code.



All **Logli solutions**
in a **single** place.

Volume 1
BALUSTRADES

Volume 2
OUTDOORS

Volume 3
INDOORS

Volume 4
SHOWERS

Volume 5
ARRANGEMENT

Volume 6
ACCESSORIES FOR GLASSWORKS





OUTDOORS



SYSTEMS FOR CANOPIES
WITH STRUCTURAL
PROFILES



LA PENSILINA
Page 26



LUMIA
Page 38

SYSTEM FOR CANOPIES
WITH TIE RODS



CANOPY LIGHT
Page 66



GLASS CANOPY
Page 74

SYSTEMS FOR
SLIDING DOORS



ATRIVANT
Page 94

CLAMPS



POOL
Page 110

SYSTEMS FOR
FACADES



FLUIDO SERIES SPIDERS
Page 112



SP SERIES SPIDERS
Page 120

LOGLI CANOPIES

Our systems for canopies offer solutions to suit all requirements, whilst always delivering high strength performance.

Choose from the elegance of a load-bearing profile or the technology of exposed tie-rods: with Logli systems there are so many possibilities, all supported by technical files.

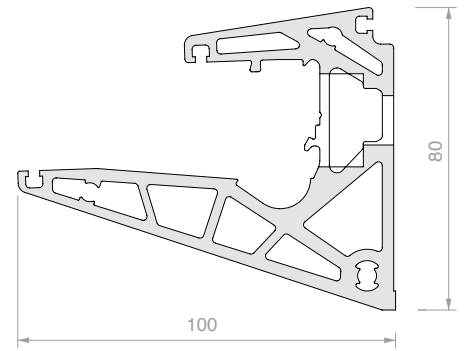
Logli combines the comfort of a canopy with the beauty of glass and the safety of a tested product.





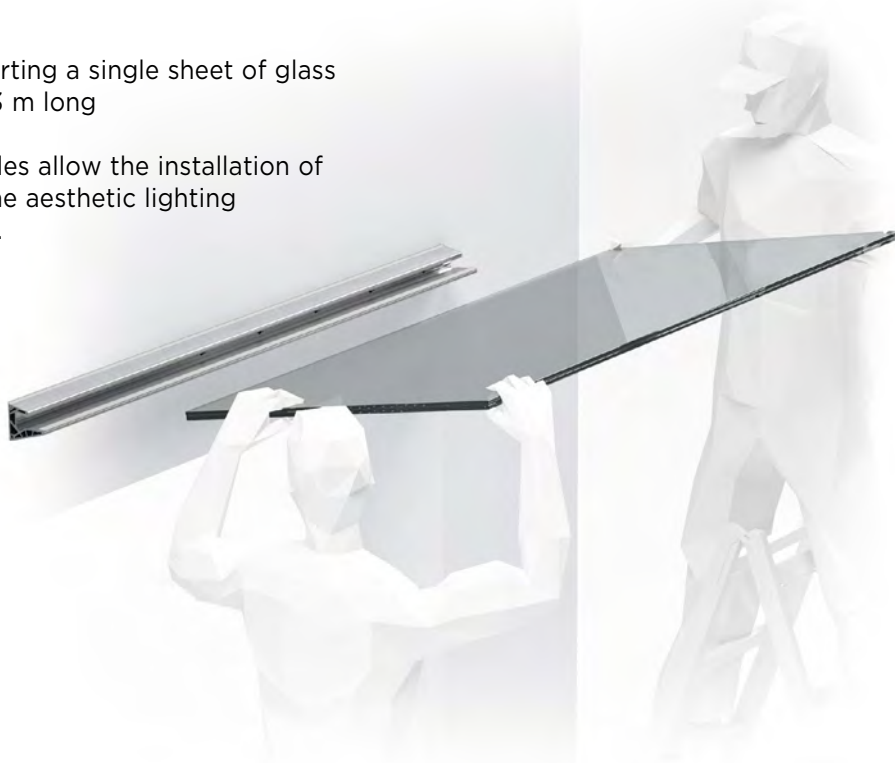
LA PENSILINA

- Overhang up to 1.2 metres
- For 8+8 mm glass
- Installation without holes in the glass
- Option to insert a shear pin



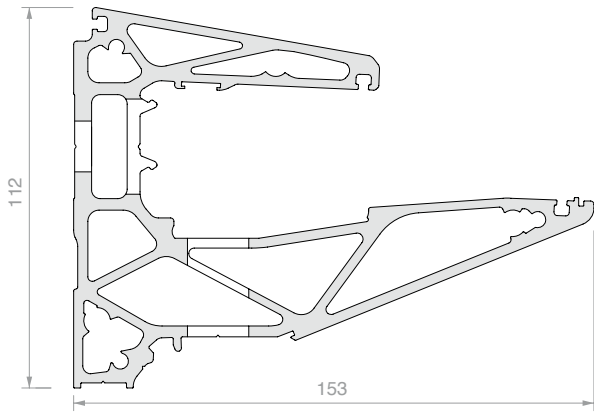
Designed for inserting a single sheet of glass in profiles up to 3 m long

La Pensilina profiles allow the installation of LED stripes for the aesthetic lighting of the glass pane.



EasySpeed clamping allows a quick and easy installation





LUMIA

- Overhang up to 1.5 metres
- For 8+8 mm and 10+10 mm glass
- Installation without holes in the glass
- Option to insert a shear pin

With Lumia, you can install both glass and straight profiles and have corner configurations.

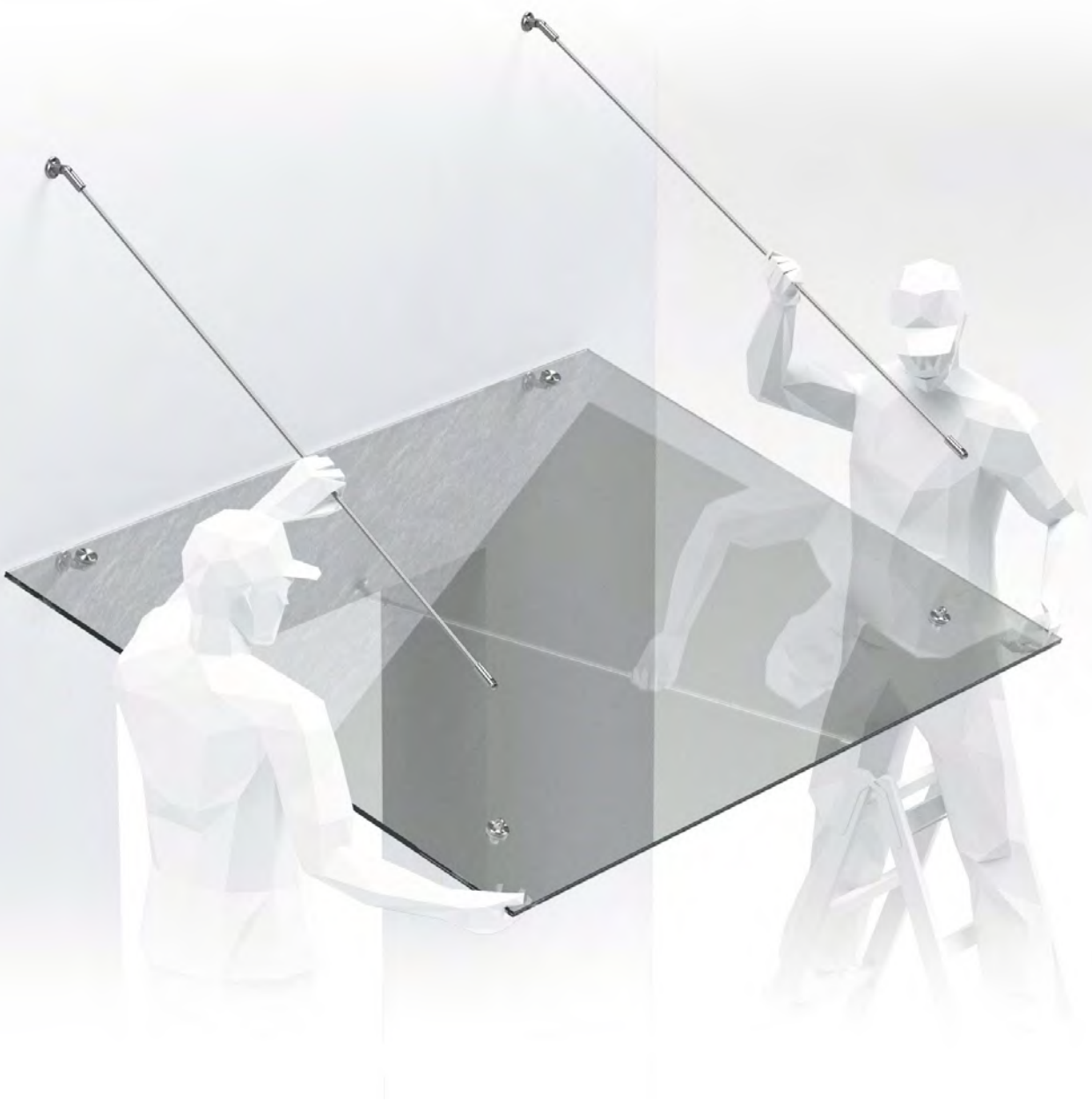
You can also insert LED strips for functional lighting of the spaces below the canopy thanks to the dedicated cover.



CANOPY LIGHT

- Overhang up to 1.5 metres
- Dimensions for small components
- For glass from 5+5 mm to 8+8 mm
- Our customer care service develops technical drawings on each order and offers its support for the realization of the required canopy

The “Canopy Light” tie rods system is designed to minimise the overall dimensions of the fastenings and the installation time



GLASS CANOPY

- Overhang up to 2 metres with only one row of tie rods
- In-line installation possible using shared tie rods, versatile and customisable system
- For 10+10 mm and 12+12 mm glass

Our customer care service develops technical drawings on each order and offers its support for the realization of the required canopy

The "Glass Canopy" model is completely customizable, offering the opportunity to realize all the solutions you need



La Pensilina

Light balance

La Pensilina is defined by balanced proportions and minimalist forms, giving a clean and bright look to outdoor spaces.





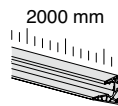
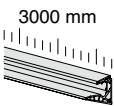
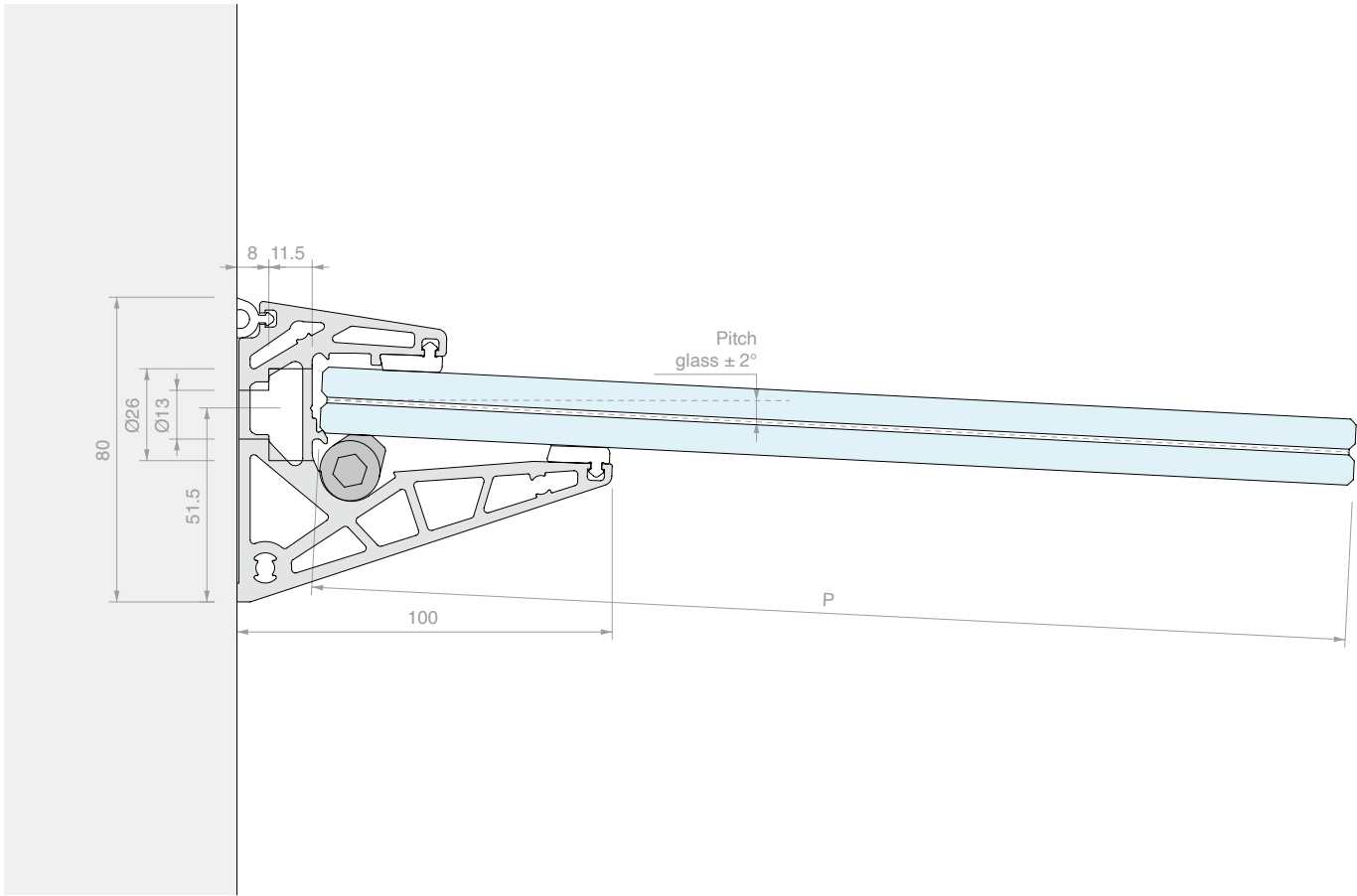
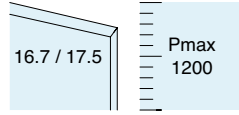


LA PENSILINA KIT

FOR 8+8 MM GLASS

Material: Aluminium

Finish: /10 /88 /97 /RAL



Kit comprising:

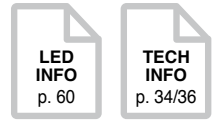
| Art. | Description | Qty | |
|---------------|---------------------|------|--|
| PENP30 | Profile | 1 Pc | |
| PENGRY | Glass fixing set | 1 Pc | |
| PENG01 | Flat gasket | 6 m | |
| PENG03 | Wall sealing gasket | 3 m | |
| PENT01 | 2 finishing caps | 1 Pc | |

Kit comprising:

| Art. | Description | Qty | |
|---------------|---------------------|------|--|
| PENP20 | Profile | 1 Pc | |
| PENGRY | Glass fixing set | 1 Pc | |
| PENG01 | Flat gasket | 4 m | |
| PENG03 | Wall sealing gasket | 2 m | |
| PENT01 | 2 finishing caps | 1 Pc | |

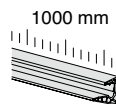
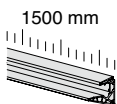
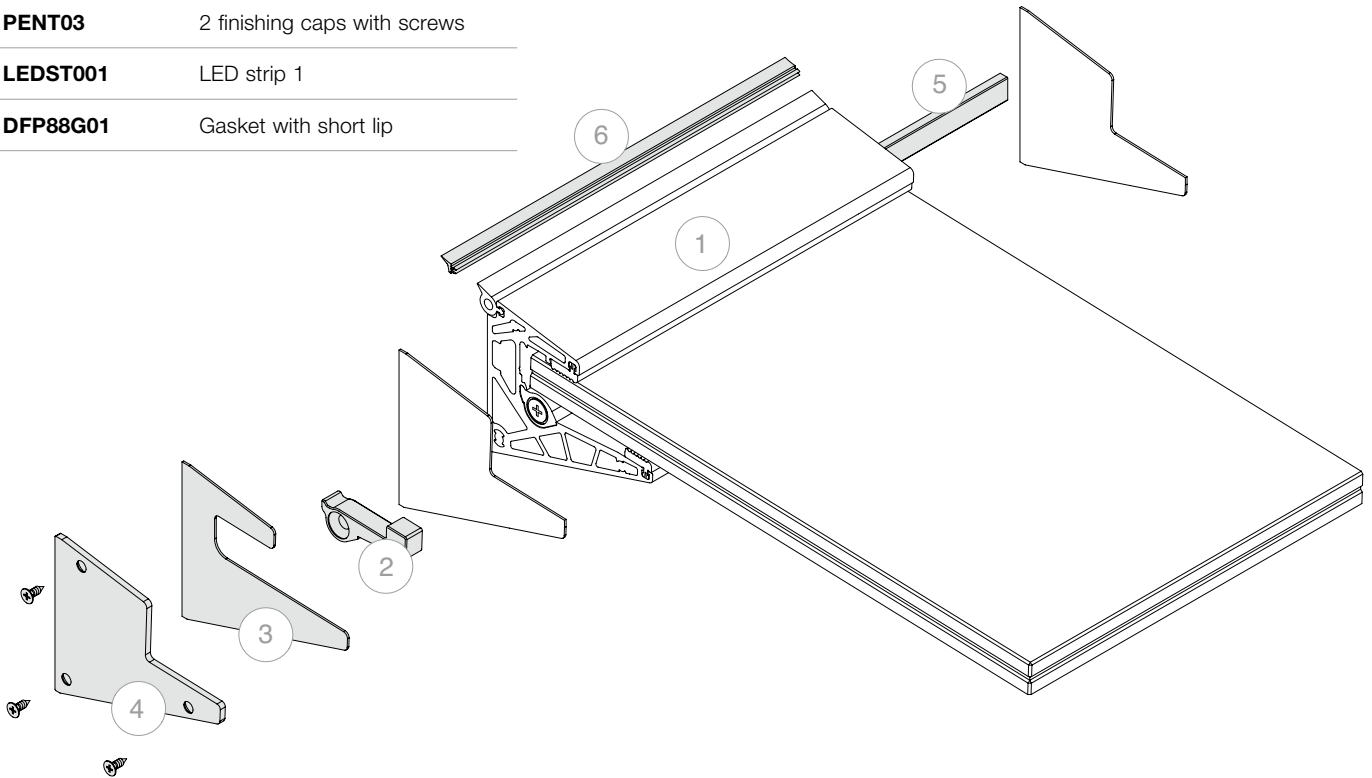
| Art. | Length | Qty | Art. | Length | Qty |
|-----------------|----------------|------|-----------------|----------------|------|
| PENKIT30 | 3000 mm | 1 Pc | PENKIT20 | 2000 mm | 1 Pc |

No. Art.
1 **PENKIT**



Optional:


| No. Art. | Description |
|-----------------------|------------------------------|
| 2 PENC01SIAEST | Shear pins |
| 3 PENT05 | 2 open finishing caps |
| 4 PENT03 | 2 finishing caps with screws |
| 5 LEDST001 | LED strip 1 |
| 6 DFP88G01 | Gasket with short lip |



Kit comprising:

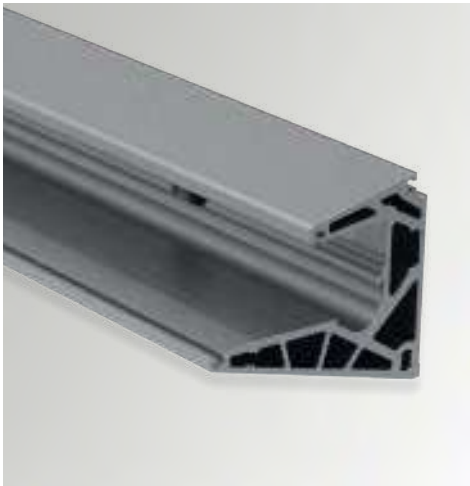
| Art. | Description | Qty |  |
|---------------|---------------------|-------|---|
| PENP15 | Profile | 1 Pc |  |
| PENGRY | Glass fixing set | 1 Pc |  |
| PENG01 | Flat gasket | 3 m |  |
| PENG03 | Wall sealing gasket | 1.5 m |  |
| PENT01 | 2 finishing caps | 1 Pc |  |

Kit comprising:

| Art. | Description | Qty |  |
|---------------|---------------------|------|---|
| PENP10 | Profile | 1 Pc |  |
| PENGRY | Glass fixing set | 1 Pc |  |
| PENG01 | Flat gasket | 2 m |  |
| PENG03 | Wall sealing gasket | 1 m |  |
| PENT01 | 2 finishing caps | 1 Pc |  |

| Art. | Length | Qty | Art. | Length | Qty |
|-----------------|---------|------|-----------------|---------|------|
| PENKIT15 | 1500 mm | 1 Pc | PENKIT10 | 1000 mm | 1 Pc |

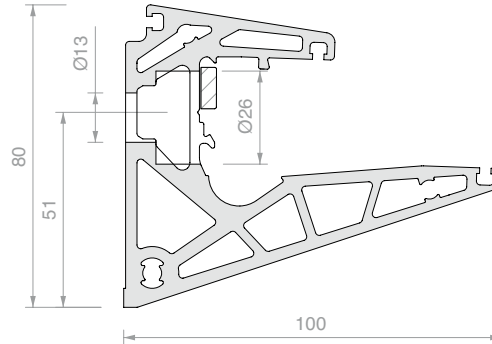
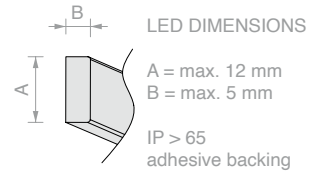




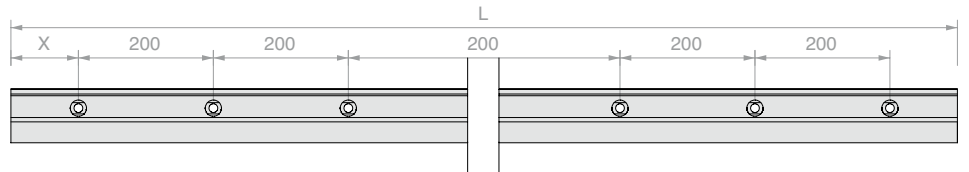
LA PENSILINA PROFILE

Material: Aluminium (6063 - T6)

Finish: /10 /88 /97 /RAL



DRILLING TEMPLATE



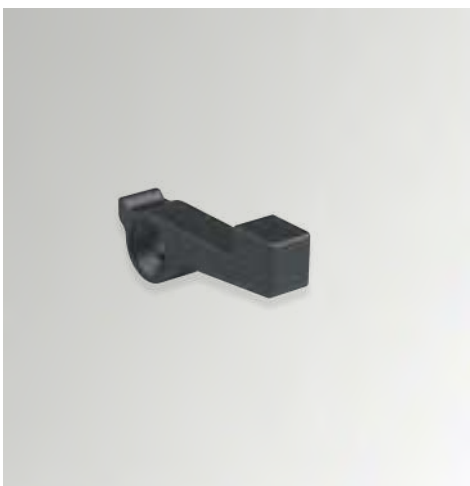
| Art. | L | X | Qty |
|---------------|---------|------------|------|
| PENP10 | 1000 mm | 100 ± 5 mm | 1 Pc |
| PENP15 | 1500 mm | 100 ± 5 mm | 1 Pc |
| PENP20 | 2000 mm | 100 ± 5 mm | 1 Pc |
| PENP30 | 3000 mm | 100 ± 5 mm | 1 Pc |



LA PENSILINA GLASS FIXING SET

Material: High strength polyamide, stainless steel

| Art. | Description: | Qty |
|---------------|-------------------------------|------|
| PENGRY | 2 cams, shear pins and screws | 1 Pc |

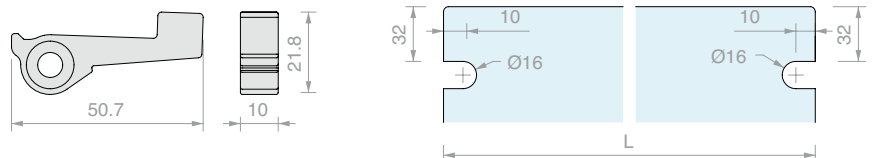
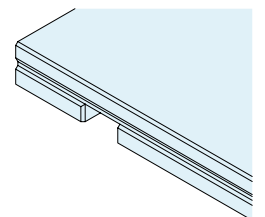


LA PENSILINA 2 SHEAR PINS

Material: High strength polyamide

Note: installation and functions on page 36

For these accessories, machining is required on the bottom pane of glass on the laminated panel.

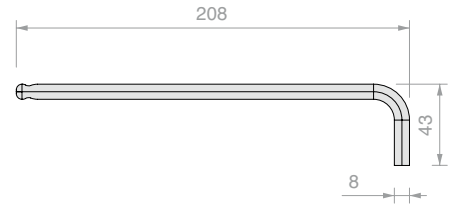


| Art. | Qty |
|---------------------|------|
| PENC01SIAEST | 1 Pc |



WRENCH FOR LA PENSILINA LOCKING CAM

Material: Steel

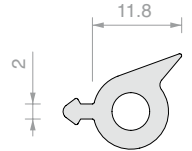


| Art. | Qty |
|--------------|------|
| PENCH | 1 Pc |

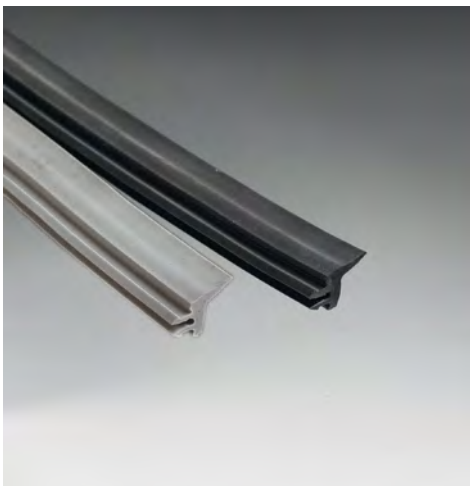


WALL SEALING GASKET

Material: TPE
Colour: grey

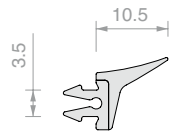


| Art. | Package | Qty |
|------------------|-----------|------|
| PENG03 | | 1 m |
| PENG03.60 | 60 m roll | 1 Pc |

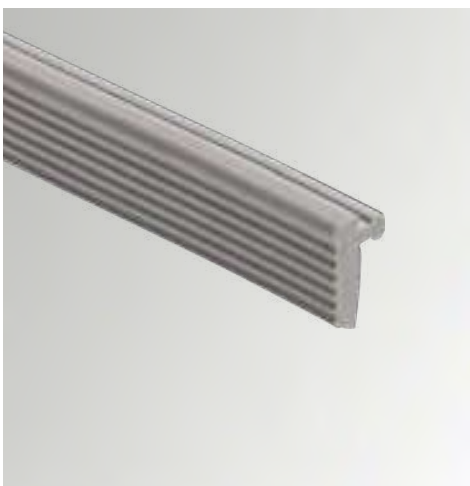


GASKET WITH SHORT LIP

Material: TPE
Finish: /6 /97

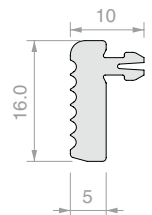


| Art. | Package | Qty |
|--------------------|-------------|------|
| DFP88G01 | | 1 m |
| DFP88G01.03 | 3 m profile | 1 Pc |
| DFP88G01.60 | 60 m roll | 1 Pc |



FLAT GASKET

Material: TPE
Colour: grey



| Art. | Package | Qty |
|------------------|-----------|------|
| PENG01 | | 1 m |
| PENG01.60 | 60 m roll | 1 Pc |

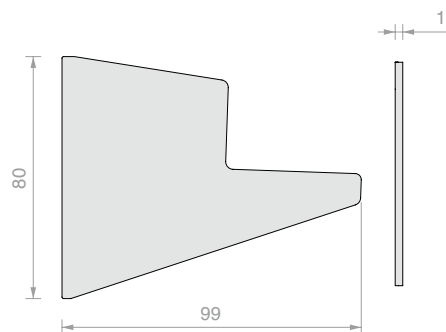


2 FINISHING CAPS

Material: Aluminium

Finish: /10 /88 /97 /RAL

Note: Install using silicone on the whole end of the cap



Art.
PENT01

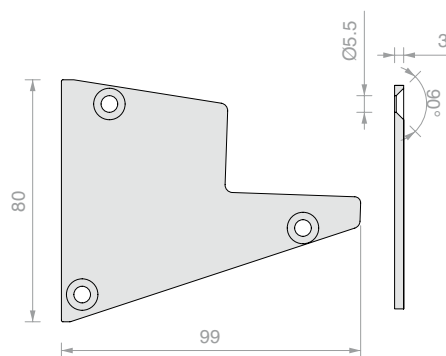
Qty
1 Pc



2 FINISHING CAPS WITH SCREWS

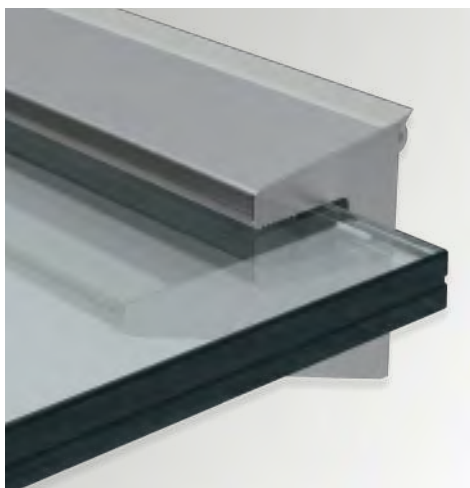
Material: Aluminium

Finish: /10 /88 /97 /RAL



Art.
PENT03

Qty
1 Pc

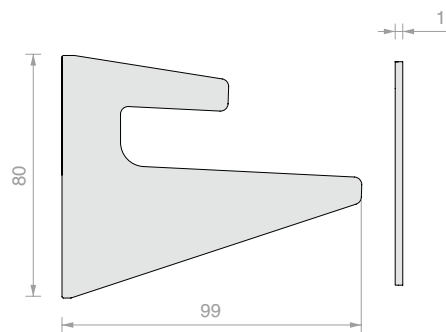


2 OPEN FINISHING CAPS

Material: Aluminium

Finish: /10 /88 /97 /RAL

Note: Install using silicone on the whole end of the cap



Art.
PENT05

Qty
1 Pc



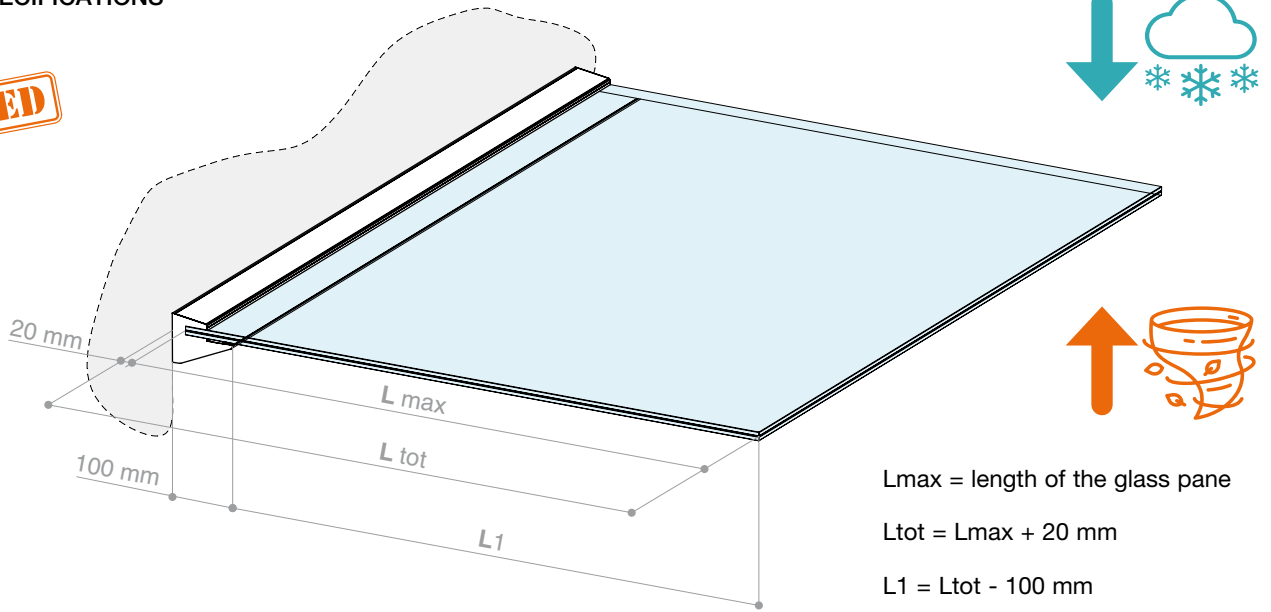
LINEAR CUT ON PEN/PENL PROFILES

Art.
PENTAGLIO

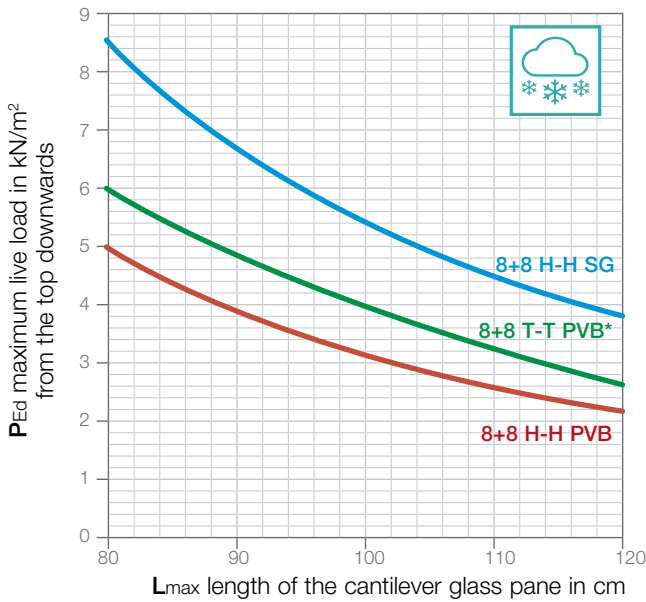
Qty
1 Pc

TECHNICAL SPECIFICATIONS

PATENTED



CANTILEVER SNOW LOAD PERFORMANCE



| L_{max} [cm] | P_{Ed} [kN/m ²] | | |
|----------------|-------------------------------|--------------|------------|
| | 8+8 H-H PVB | 8+8 T-T PVB* | 8+8 H-H SG |
| 80 | 4.95 | 5.96 | 8.55 |
| 85 | 4.38 | 5.28 | 7.57 |
| 90 | 3.91 | 4.71 | 6.76 |
| 95 | 3.51 | 4.23 | 6.06 |
| 100 | 3.17 | 3.82 | 5.47 |
| 105 | 2.87 | 3.46 | 4.96 |
| 109 | 2.62 | 3.15 | 4.52 |
| 115 | 2.4 | 2.89 | 4.14 |
| 120 | 2.2 | 2.65 | 3.8 |

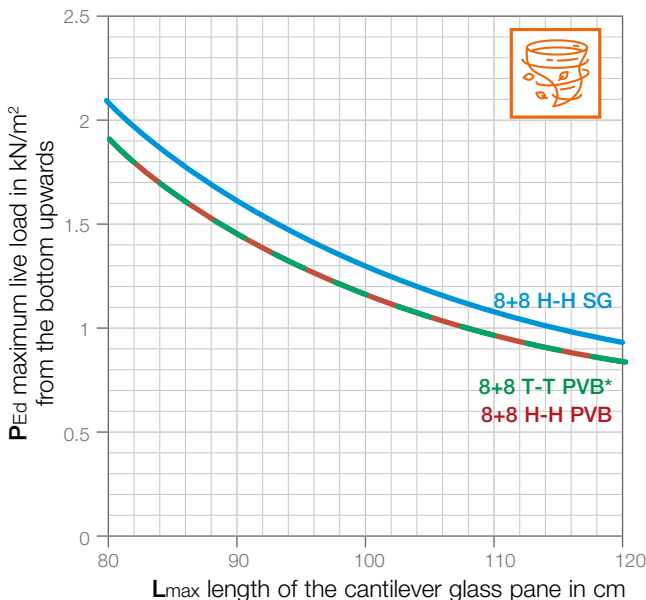
*for the properties of the glass pane, it is designed for installation providing that a minimum overhead clearance over the space below is observed.

The maximum design load P_{Ed} refers to the sum of all variable loads acting downwards, including the associated safety and combination coefficients. The weight of the glass pane itself is always taken into account and does not need to be added. The results are shown for hardened laminated glass EN 1863 or tempered glass EN 12150 with traditional PVB or rigid SentryGlas® interlayer. The configurations of the glass and interlayers are provided as examples only and are not exhaustive of all installation options: indeed, there are numerous alternative solutions known and in use on the market which have equal or potentially better performance levels in many important technical aspects (e.g. resistance to de-lamination, post-rupture behaviour, stability versus temperature variations, etc.).

Note: the final assessment of the compliance of the system with the safety requirements remains a matter for the qualified engineer to assess, who will be able to verify the applicability of the data provided for the actual installation conditions, the conformity of the system for fastening to the load-bearing structure and the system's compliance with global safety requirements and those specific to the installation site (loads, support properties, exceptional loads, etc.). Detailed information about the design of the system is available online on our website or can be requested by contacting the Logli Saint-Gobain customer care technical department.

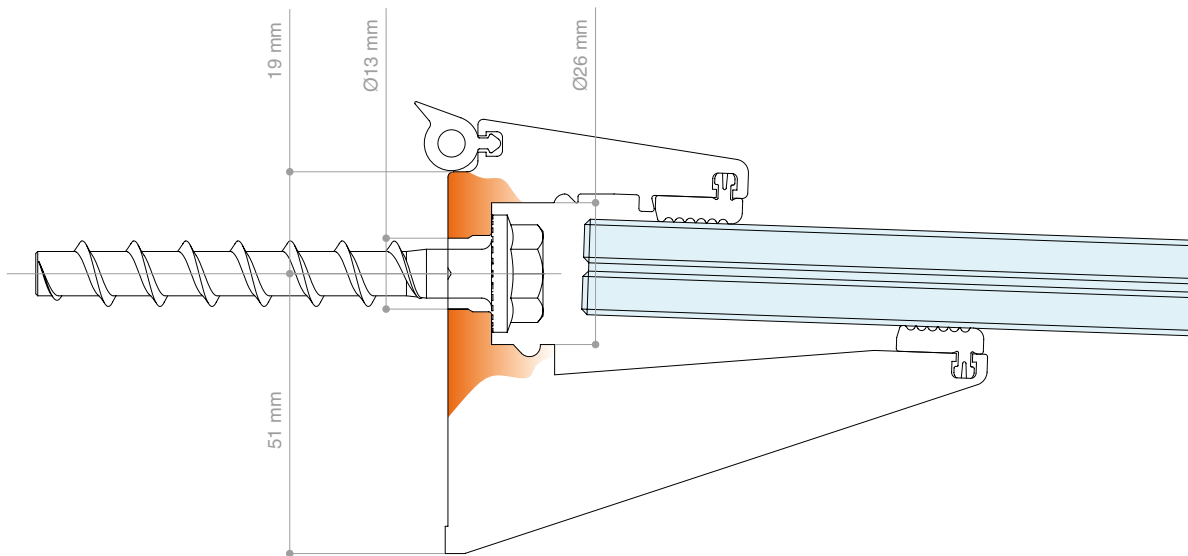
SentryGlas® is a registered trademark of Kuraray America, Inc. Trademarks may not be applied for or registered in all countries.

CANTILEVER GLASS SUPPORT CURVE

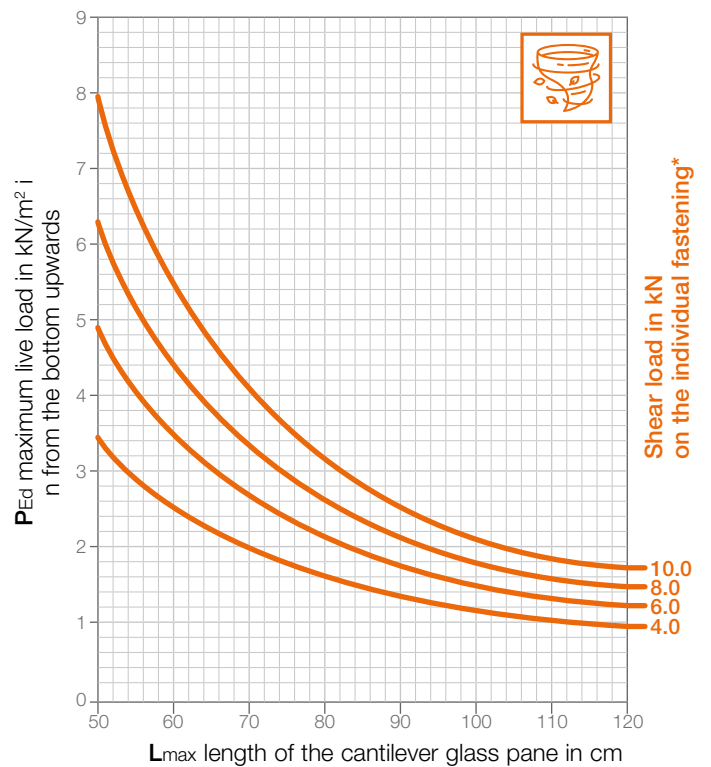
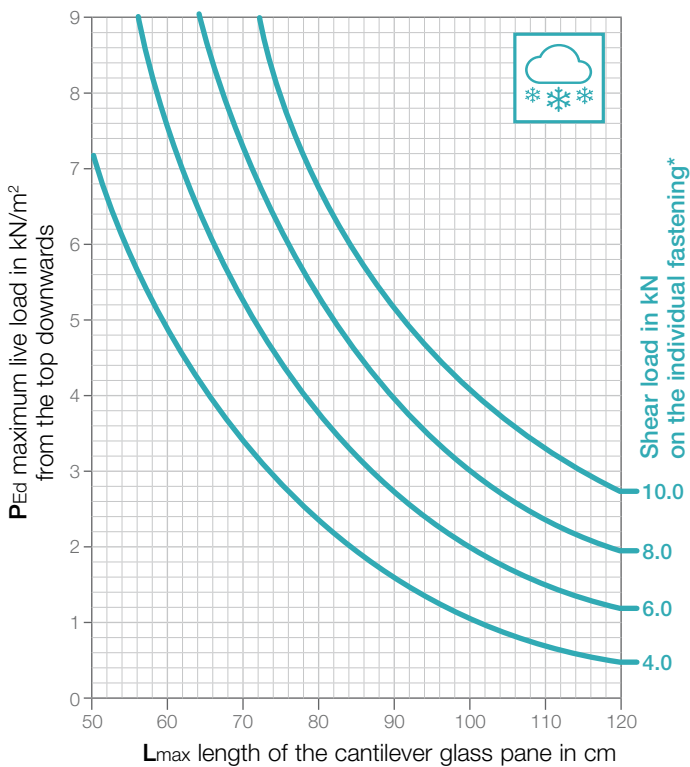




CONNECTION TO THE STRUCTURE



CHARTS FOR PRELIMINARY DESIGN OF THE FASTENING SYSTEMS

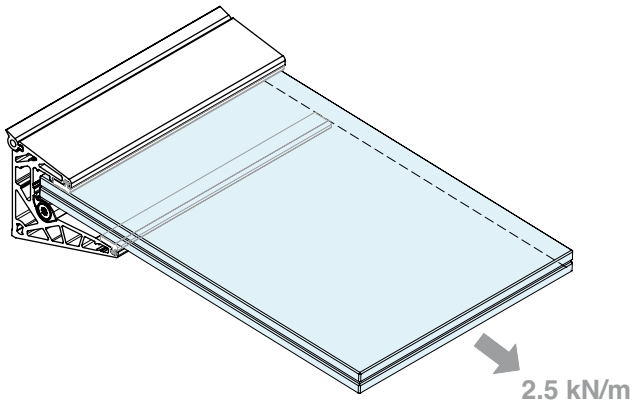


*The shear load on the individual fixing point is to be considered for the purposes of identifying the most suitable type of fastening for the structure. The values shown are based on a standard spacing of fixings of 200 mm (corresponding to installing a fastening in each hole). The reference to the design load P_{Ed} shown already includes the weight of the glass panes. Charts considering the shear force on the fastenings are not shown, as these are not a dimensioning factor in the majority of cases.

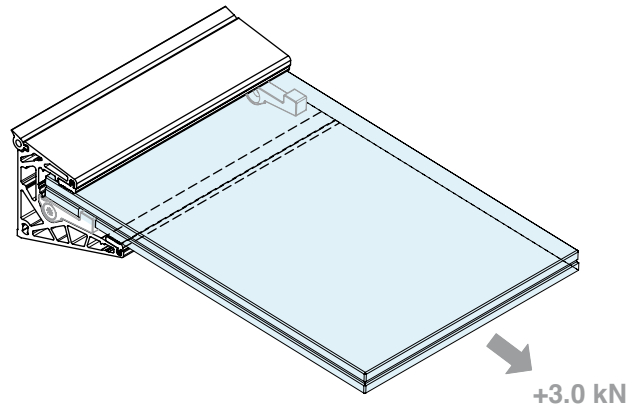
Note: the verification of the most suitable types of fastenings for the structure as well as their spacing in relation to the actual design loads remains a matter for the qualified engineer to assess, who will be able to verify the applicability of the data provided for the actual installation conditions (loads acting on the system, support properties, etc.). For installations in buildings which feature thermal insulation with low structural properties, it is recommended to pay the utmost attention to the creation of substructures with suitable properties to distribute and transmit the loads from the system.

SHEAR PINS (OPTIONAL)

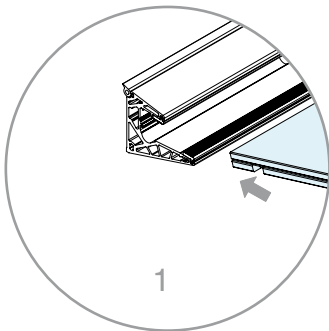
ADDITIONAL AND OPTIONAL SECURING SYSTEM, REQUIRES MACHINING ON THE BOTTOM PANE OF THE LAMINATED GLASS



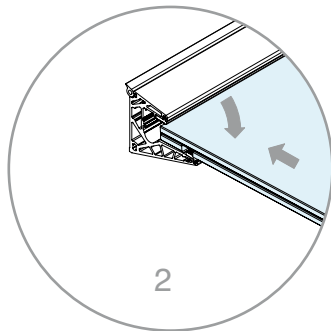
Standard kit



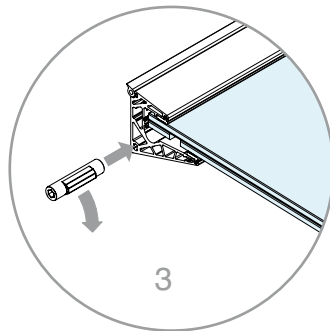
addition of 2 shear pins (optional)



1

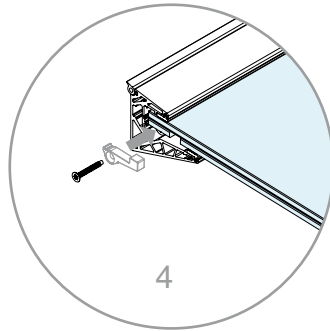


2

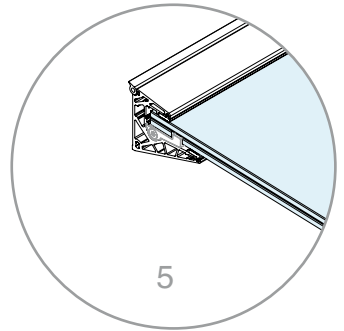


3

1 - 2 - 3 Installation of glass fixing cams

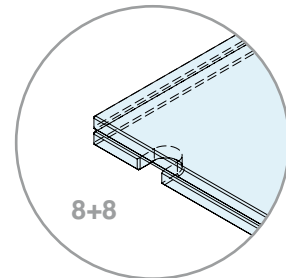
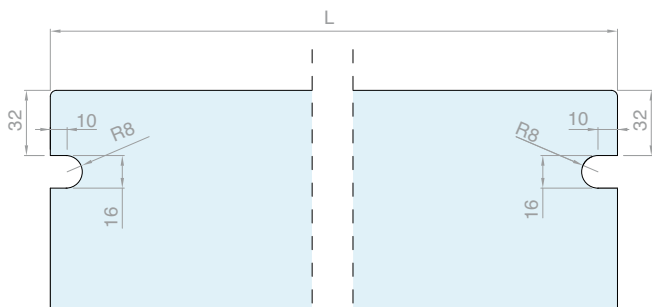


4



5

4 - 5 Installation of shear pin



8+8

Note: Only the lower pane of the laminated glass should be machined.

The pull-out resistance of the glass panes from the system has been assessed in texts in accordance with EAD 220025-00-0401:2016 Annex B for BR.4 "Safety and accessibility in use". The pull-out resistance test has been carried out for installations with and without shear pins. The values shown already include the safety coefficient, applied to the specific resistance values obtained in the testing phase.



Lumia

Midnight lights

Lumia offers versatile solutions, suitable for individual or continuous installations, giving the option of creating both decorative and functional lighting effects making your spaces more pleasant.





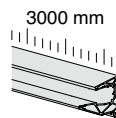
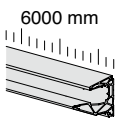
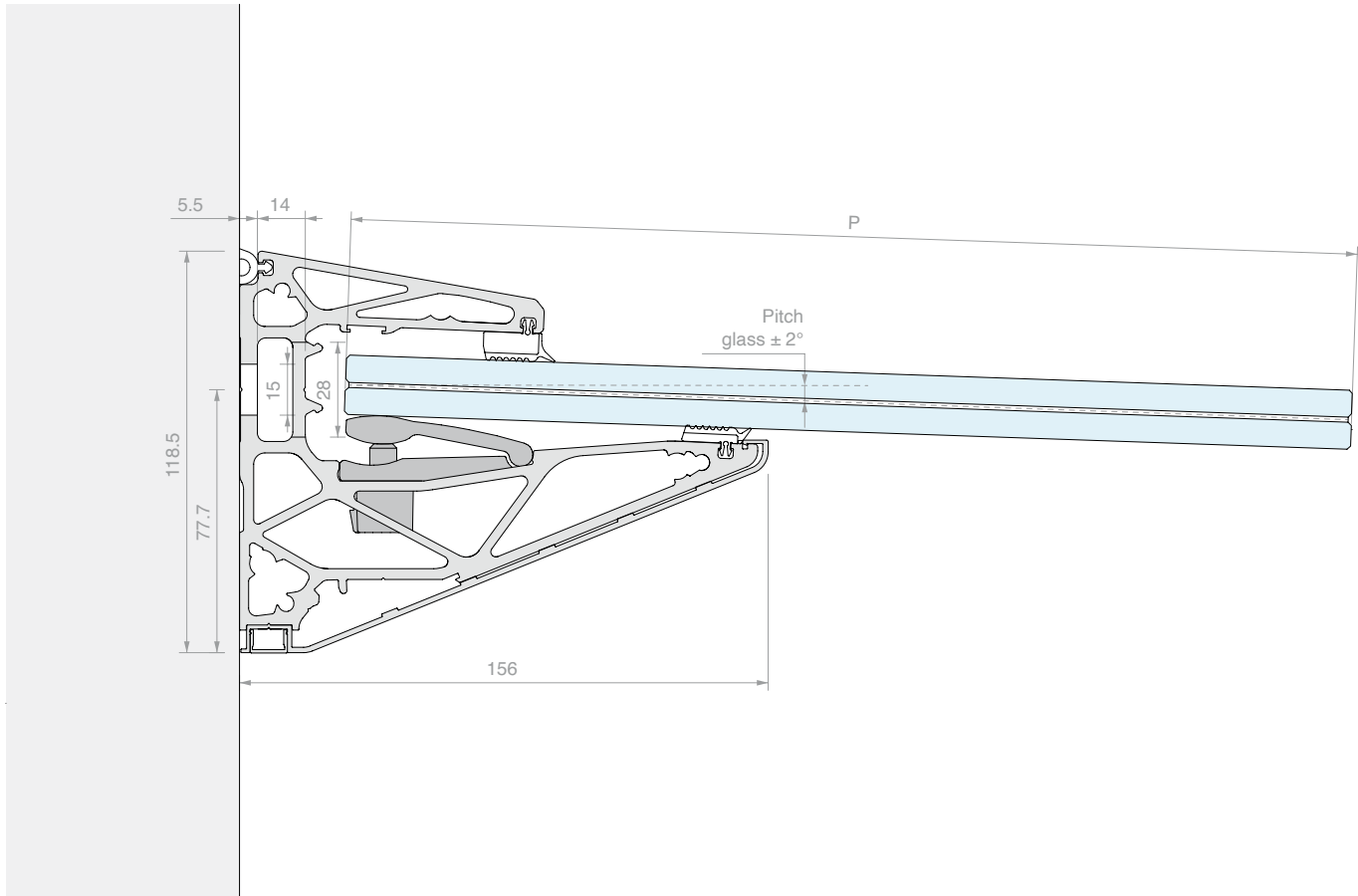
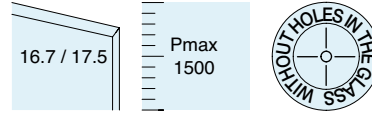
KIT LUMIA - 88

FOR 8+8 MM GLASS

WITH INCLINED BOTTOM COVER

Material: Aluminium

Finish: /10 /88 /97 /RAL



Kit comprising:

| Art. | Description | Qty |
|---------------------|-----------------------|--------|
| PENL.60 | Profile | 1 Pc |
| PENLCOV03.60 | Inclined bottom cover | 1 Pc |
| LMU11.30 | Bottom screw cover | 2 Pcs |
| PENLVIT | Self-drilling screw | 10 Pcs |
| PENLGRYKIT5 | Glass fixing set | 6 Pcs |
| DFPG03.03 | Flat gasket | 2 Pcs |
| DFPG82.03 | Oversized flat gasket | 2 Pcs |
| PENG03 | Wall sealing gasket | 6 m |

Kit comprising:

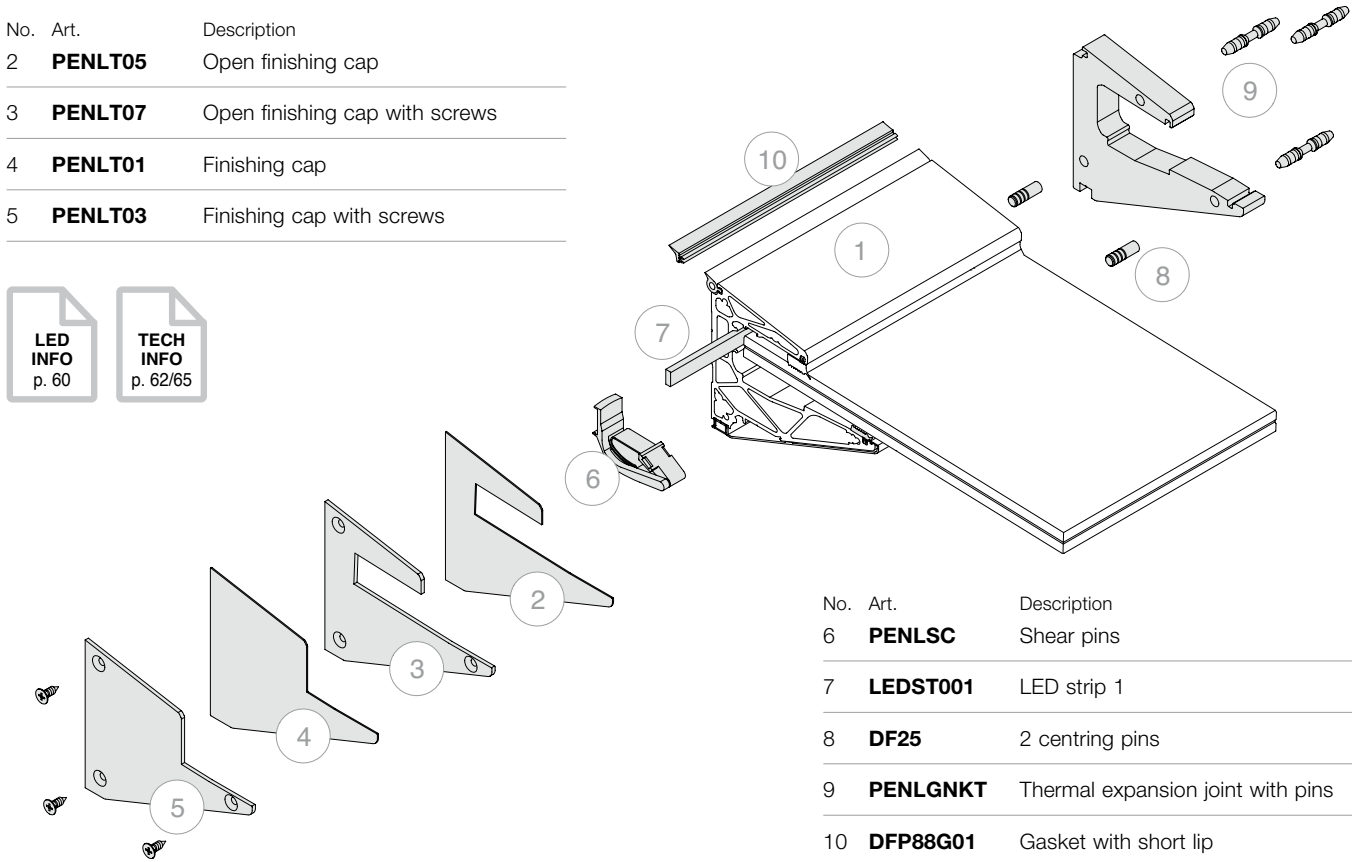
| Art. | Description | Qty |
|---------------------|-----------------------|-------|
| PENL.30 | Profile | 1 Pc |
| PENLCOV03.30 | Inclined bottom cover | 1 Pc |
| LMU11.30 | Bottom screw cover | 1 Pc |
| PENLVIT | Self-drilling screw | 6 Pcs |
| PENLGRYKIT5 | Glass fixing set | 3 Pcs |
| DFPG03.03 | Flat gasket | 1 Pc |
| DFPG82.03 | Oversized flat gasket | 1 Pc |
| PENG03 | Wall sealing gasket | 3 m |

| Art. | Length | Qty | Art. | Length | Qty |
|---------------------|----------------|-------------|---------------------|----------------|-------------|
| PENLKIT88.60 | 6000 mm | 1 Pc | PENLKIT88.30 | 3000 mm | 1 Pc |

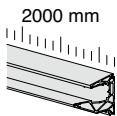
No. Art.
1 **PENLKIT88**

Optional:

| No. Art. | Description |
|------------------|--------------------------------|
| 2 PENLT05 | Open finishing cap |
| 3 PENLT07 | Open finishing cap with screws |
| 4 PENLT01 | Finishing cap |
| 5 PENLT03 | Finishing cap with screws |

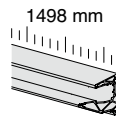


| No. Art. | Description |
|--------------------|-----------------------------------|
| 6 PENLSC | Shear pins |
| 7 LEDST001 | LED strip 1 |
| 8 DF25 | 2 centring pins |
| 9 PENLGNKT | Thermal expansion joint with pins |
| 10 DFP88G01 | Gasket with short lip |



Kit comprising:

| Art. | Description | Qty |
|---------------------|-----------------------|-------|
| PENL.20 | Profile | 1 Pc |
| PENLCOV03.20 | Inclined bottom cover | 1 Pc |
| LMU11.20 | Bottom screw cover | 1 Pc |
| PENLVIT | Self-drilling screw | 4 Pcs |
| PENLGRYKIT5 | Glass fixing set | 2 Pcs |
| DFPG03 | Flat gasket | 2 m |
| DFPG82 | Oversized flat gasket | 2 m |
| PENG03 | Wall sealing gasket | 2 m |



Kit comprising:

| Art. | Description | Qty |
|---------------------|------------------------|-------|
| PENL.15 | Profile | 1 Pc |
| PENLCOV03.15 | Inclined bottom cover | 1 Pc |
| LMU11.15 | Bottom screw cover | 1 Pc |
| PENLVIT | Self-drilling screw | 3 Pcs |
| PENLGRY | Clamp for glass fixing | 7 Pcs |
| DFPG03 | Flat gasket | 1.5 m |
| DFPG82 | Oversized flat gasket | 1.5 m |
| PENG03 | Wall sealing gasket | 1.5 m |

| Art. | Length | Qty | Art. | Length | Qty |
|---------------------|---------|------|---------------------|---------|------|
| PENLKIT88.20 | 2000 mm | 1 Pc | PENLKIT88.15 | 1498 mm | 1 Pc |

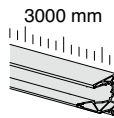
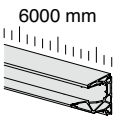
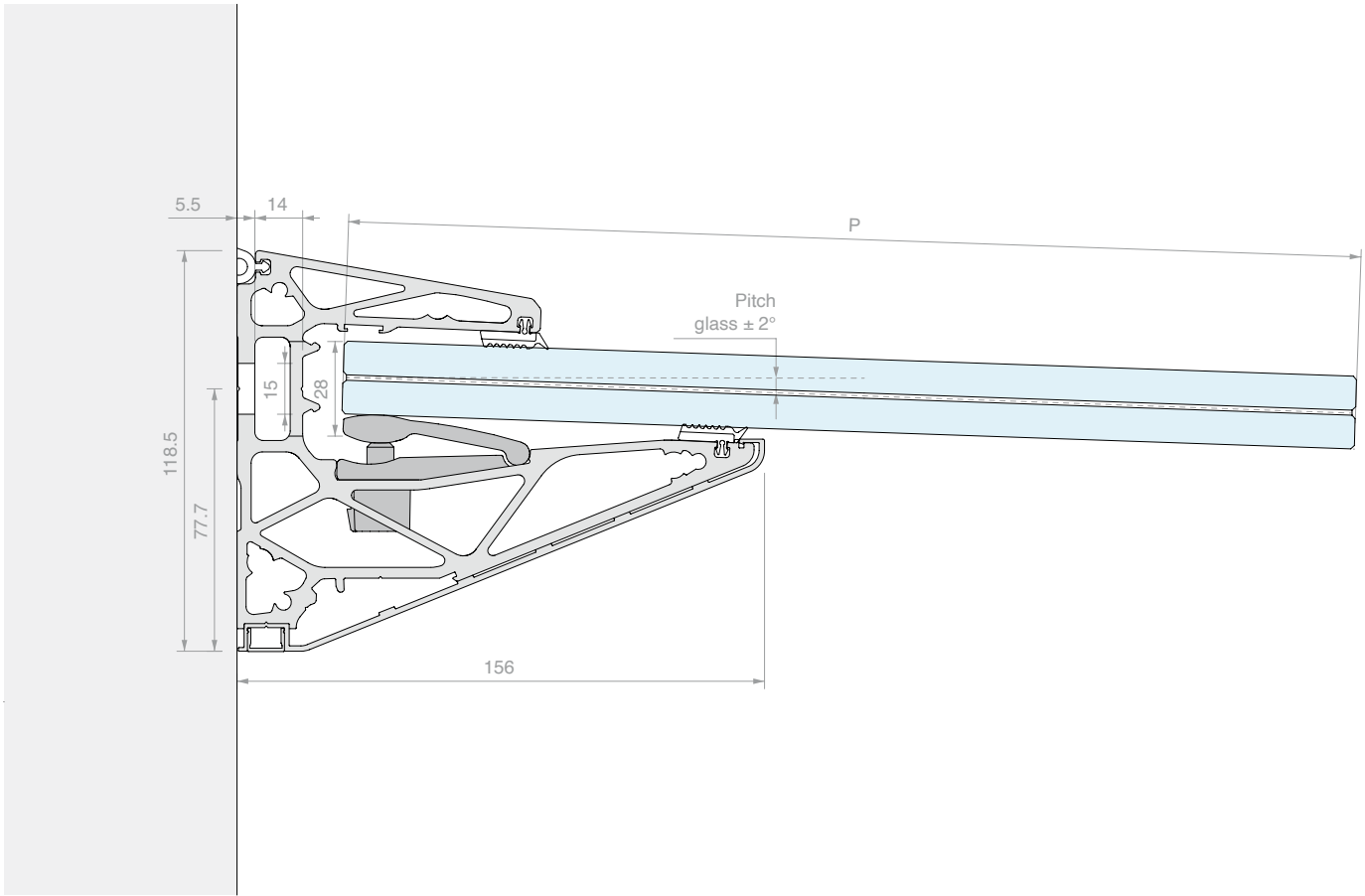
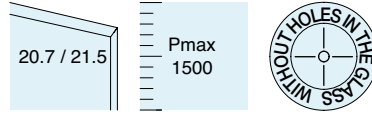
KIT LUMIA - 1010

FOR 10+10 MM GLASS

WITH INCLINED BOTTOM COVER

Material: Aluminium

Finish: /10 /88 /97 /RAL



Kit comprising:

| Art. | Description | Qty |
|---------------------|-----------------------|--------|
| PENL.60 | Profile | 1 Pc |
| PENLCOV03.60 | Inclined bottom cover | 1 Pc |
| LMU11.30 | Bottom screw cover | 2 Pcs |
| PENLVIT | Self-drilling screw | 10 Pcs |
| PENLGRYKIT5 | Glass fixing set | 6 Pcs |
| DFPG03.03 | Flat gasket | 4 Pcs |
| PENG03 | Wall sealing gasket | 6 m |

Kit comprising:

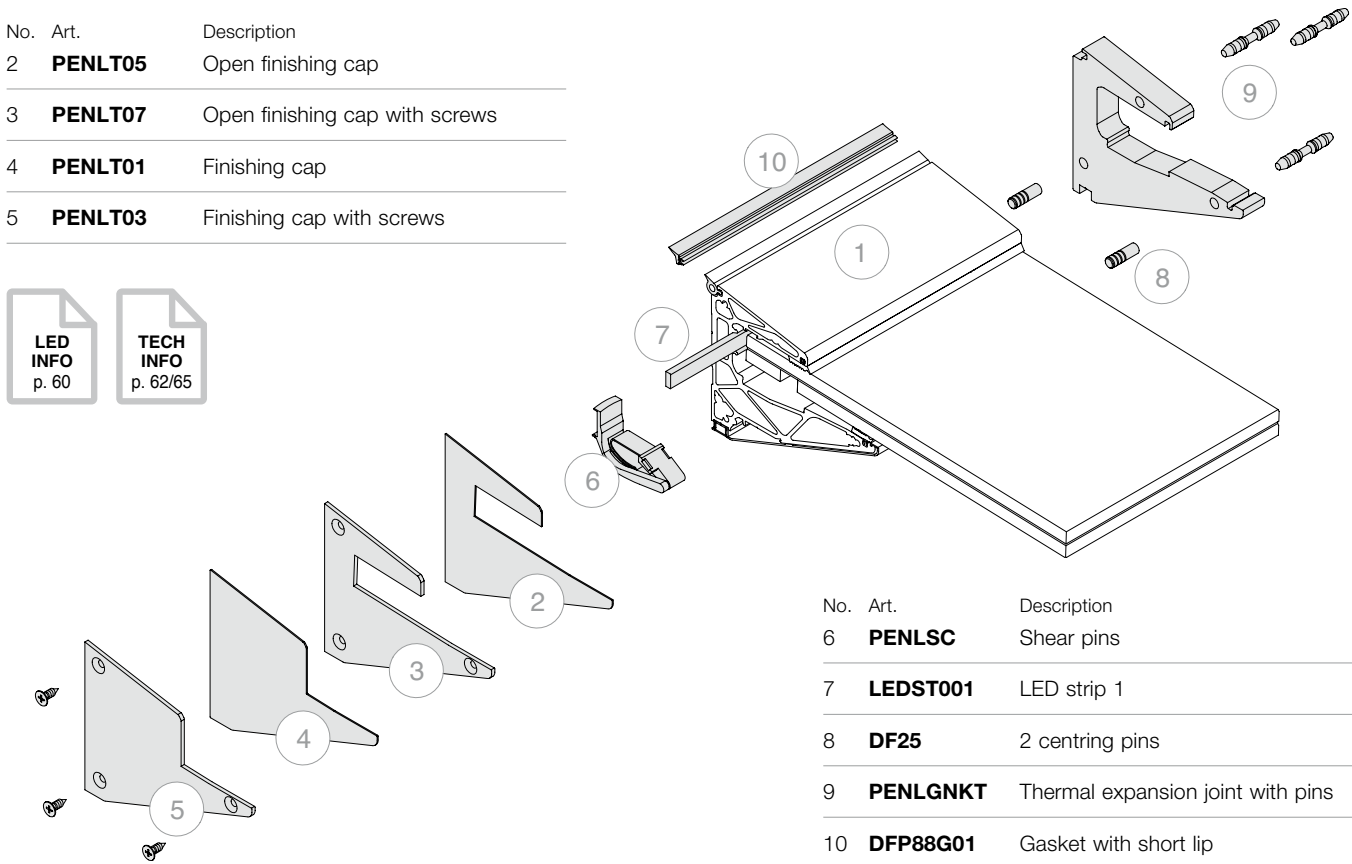
| Art. | Description | Qty |
|---------------------|-----------------------|-------|
| PENL.30 | Profile | 1 Pc |
| PENLCOV03.30 | Inclined bottom cover | 1 Pc |
| LMU11.30 | Bottom screw cover | 1 Pc |
| PENLVIT | Self-drilling screw | 6 Pcs |
| PENLGRYKIT5 | Glass fixing set | 3 Pcs |
| DFPG03.03 | Flat gasket | 2 Pcs |
| PENG03 | Wall sealing gasket | 3 m |

| Art. | Length | Qty | Art. | Length | Qty |
|-----------------------|----------------|-------------|-----------------------|----------------|-------------|
| PENLKIT1010.60 | 6000 mm | 1 Pc | PENLKIT1010.30 | 3000 mm | 1 Pc |

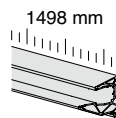
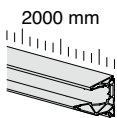
No. Art.
1 **PENLKIT1010**

Optional:

| No. | Art. | Description |
|-----|----------------|--------------------------------|
| 2 | PENLT05 | Open finishing cap |
| 3 | PENLT07 | Open finishing cap with screws |
| 4 | PENLT01 | Finishing cap |
| 5 | PENLT03 | Finishing cap with screws |



| No. | Art. | Description |
|-----|-----------------|-----------------------------------|
| 6 | PENLSC | Shear pins |
| 7 | LEDST001 | LED strip 1 |
| 8 | DF25 | 2 centring pins |
| 9 | PENLGNKT | Thermal expansion joint with pins |
| 10 | DFP88G01 | Gasket with short lip |



Kit comprising:

| Art. | Description | Qty |
|---------------------|-----------------------|-------|
| PENL.20 | Profile | 1 Pc |
| PENLCOV03.20 | Inclined bottom cover | 1 Pc |
| LMU11.20 | Bottom screw cover | 1 Pc |
| PENLVIT | Self-drilling screw | 4 Pcs |
| PENLGRYKIT5 | Glass fixing set | 2 Pcs |
| DFPG03 | Flat gasket | 4 m |
| PENG03 | Wall sealing gasket | 2 m |

Kit comprising:

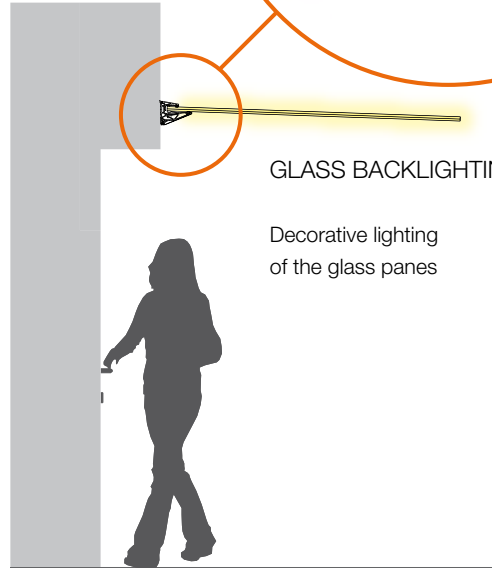
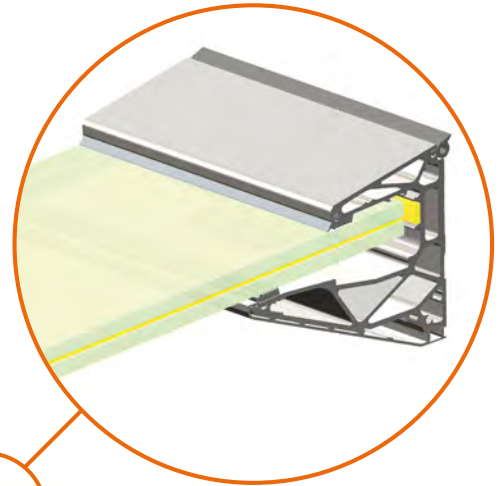
| Art. | Description | Qty |
|---------------------|------------------------|-------|
| PENL.15 | Profile | 1 Pc |
| PENLCOV03.15 | Inclined bottom cover | 1 Pc |
| LMU11.15 | Bottom screw cover | 1 Pc |
| PENLVIT | Self-drilling screw | 3 Pcs |
| PENLGRY | Clamp for glass fixing | 7 Pcs |
| DFPG03 | Flat gasket | 3 m |
| PENG03 | Wall sealing gasket | 1.5 m |

| Art. | Length | Qty | Art. | Length | Qty |
|-----------------------|---------|------|-----------------------|---------|------|
| PENLKIT1010.20 | 2000 mm | 1 Pc | PENLKIT1010.15 | 1498 mm | 1 Pc |

Lumia illuminates

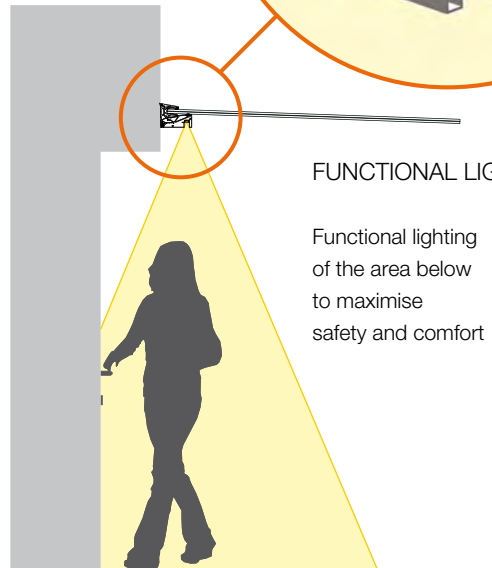
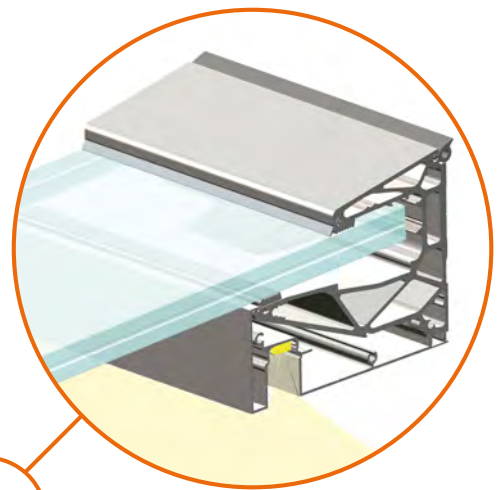
Decorative and functional light

A versatile system, capable of using the light to create decorative effects which create a big impact, but also of spreading pleasant lighting effects that enhance living spaces



GLASS BACKLIGHTING

Decorative lighting of the glass panes



FUNCTIONAL LIGHTING

Functional lighting of the area below to maximise safety and comfort



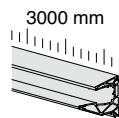
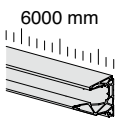
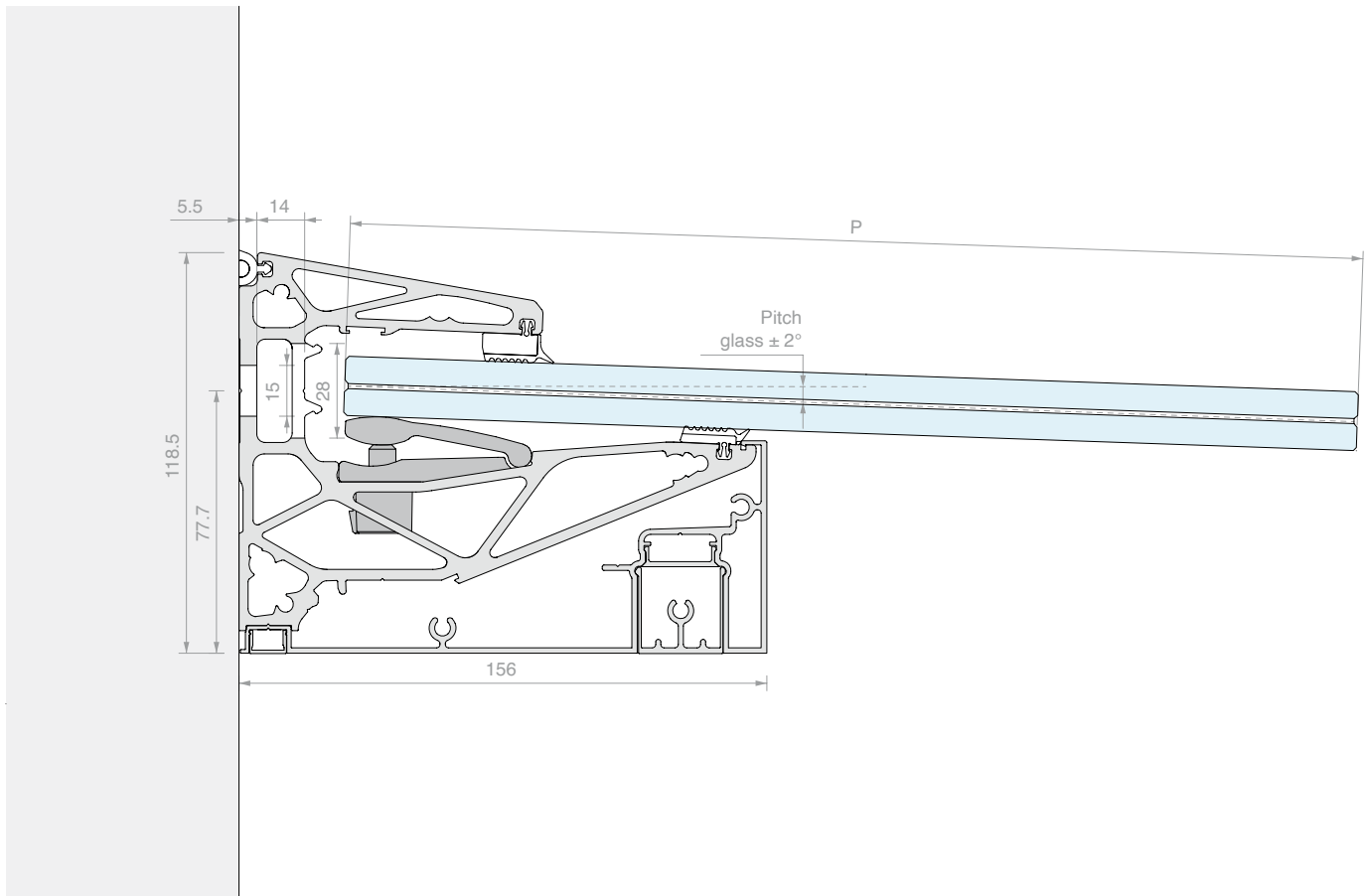
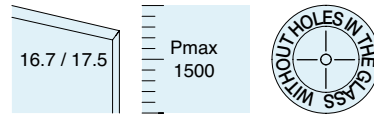
LUMIA KIT - LUCE 88

FOR 8+8 MM GLASS

WITH BOTTOM COVER FOR FUNCTIONAL LIGHTING

Material: Aluminium

Finish: /10 /88 /97 /RAL



Kit comprising:

| Art. | Description | Qty |
|---------------------|---------------------------------|--------|
| PENL.60 | Profile | 1 Pc |
| PENLCOV05.60 | Functional lighting cover | 1 Pc |
| PENLCOV07.01 | Light leak cover | 2 Pcs |
| LMU11.30 | Bottom screw cover | 2 Pcs |
| PENALU.60 | Opaque profile for bottom light | 1 Pc |
| PENLVIT | Self-drilling screw | 10 Pcs |
| PENLGRYKIT5 | Glass fixing set | 6 Pcs |
| DFFPG03.03 | Flat gasket | 2 Pcs |
| DFFPG82.03 | Oversized flat gasket | 2 Pcs |
| PENG03 | Wall sealing gasket | 6 m |
| METAP250 | Finishing cap | 2 Pcs |

Kit comprising:

| Art. | Description | Qty |
|---------------------|---------------------------------|-------|
| PENL.30 | Profile | 1 Pc |
| PENLCOV05.30 | Functional lighting cover | 1 Pc |
| PENLCOV07.01 | Light leak cover | 2 Pcs |
| LMU11.30 | Bottom screw cover | 1 Pc |
| PENALU.30 | Opaque profile for bottom light | 1 Pc |
| PENLVIT | Self-drilling screw | 6 Pcs |
| PENLGRYKIT5 | Glass fixing set | 3 Pcs |
| DFFPG03.03 | Flat gasket | 1 Pc |
| DFFPG82.03 | Oversized flat gasket | 1 Pc |
| PENG03 | Wall sealing gasket | 3 m |
| METAP250 | Finishing cap | 2 Pcs |

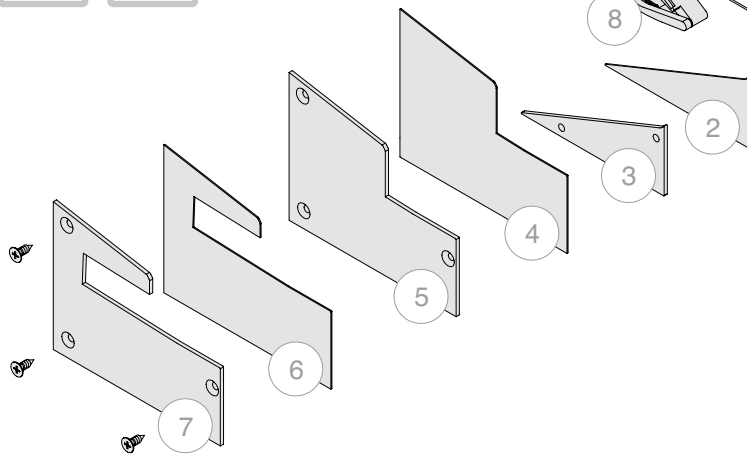
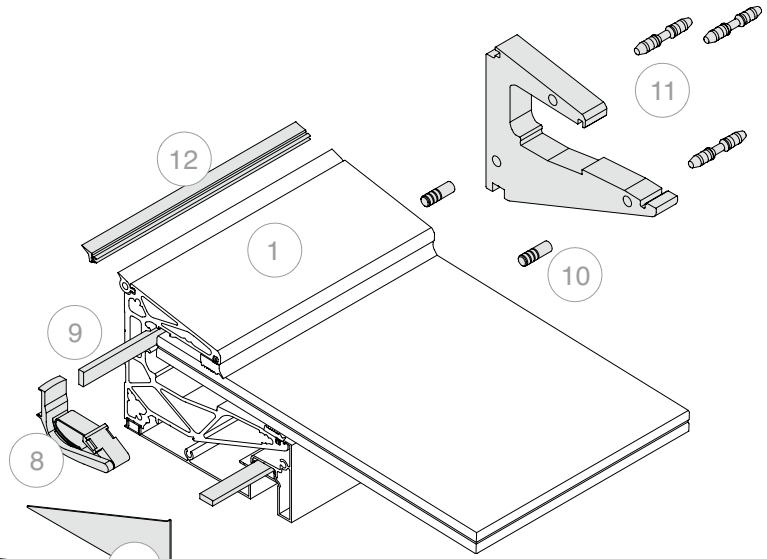
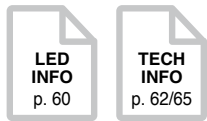
| Art. | Length | Qty |
|----------------------|----------------|-------------|
| PENLKITL88.60 | 6000 mm | 1 Pc |

| Art. | Length | Qty |
|----------------------|----------------|-------------|
| PENLKITL88.30 | 3000 mm | 1 Pc |

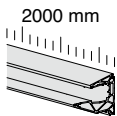
No. Art.
1 **PENLKITL88**

Optional:

| No. Art. | Description |
|------------------|-------------------------------------|
| 2 PENLT21 | Bottom finishing cap |
| 3 PENLT23 | Bottom finishing cap with screws |
| 4 PENLT11 | LED cover finishing cap |
| 5 PENLT13 | LED cover finishing cap with screws |
| 6 PENLT15 | LED cover open finishing cap |

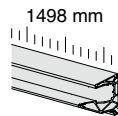


| No. Art. | Description |
|--------------------|--|
| 7 PENLT17 | LED cover open finishing cap with screws |
| 8 PENLSC | Shear pins |
| 9 LEDST001 | LED strip 1 |
| 10 DF25 | 2 centring pins |
| 11 PENLGNKT | Thermal expansion joint with pins |
| 12 DFP88G01 | Gasket with short lip |



Kit comprising:

| Art. | Description | Qty |
|---------------------|---------------------------------|-------|
| PENL.20 | Profile | 1 Pc |
| PENLCOV05.20 | Functional lighting cover | 1 Pc |
| PENLCOV07.01 | Light leak cover | 2 Pcs |
| LMU11.20 | Bottom screw cover | 1 Pc |
| PENALU.20 | Opaque profile for bottom light | 1 Pc |
| PENLVIT | Self-drilling screw | 4 Pcs |
| PENLGRYKIT5 | Glass fixing set | 2 Pcs |
| DFPG03 | Flat gasket | 2 m |
| DFPG82 | Oversized flat gasket | 2 m |
| PENG03 | Wall sealing gasket | 2 m |
| METAP250 | Finishing cap | 2 Pcs |



Kit comprising:

| Art. | Description | Qty |
|---------------------|---------------------------------|-------|
| PENL.15 | Profile | 1 Pc |
| PENLCOV05.15 | Functional lighting cover | 1 Pc |
| PENLCOV07.01 | Light leak cover | 2 Pcs |
| LMU11.15 | Bottom screw cover | 1 Pc |
| PENALU.15 | Opaque profile for bottom light | 1 Pc |
| PENLVIT | Self-drilling screw | 3 Pcs |
| PENLGRY | Clamp for glass fixing | 7 Pcs |
| DFPG03 | Flat gasket | 1.5 m |
| DFPG82 | Oversized flat gasket | 1.5 m |
| PENG03 | Wall sealing gasket | 1.5 m |
| METAP250 | Finishing cap | 2 Pcs |

| Art. | Length | Qty |
|----------------------|----------------|------|
| PENLKITL88.20 | 2000 mm | 1 Pc |

| Art. | Length | Qty |
|----------------------|----------------|------|
| PENLKITL88.15 | 1498 mm | 1 Pc |

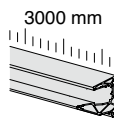
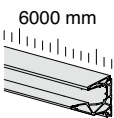
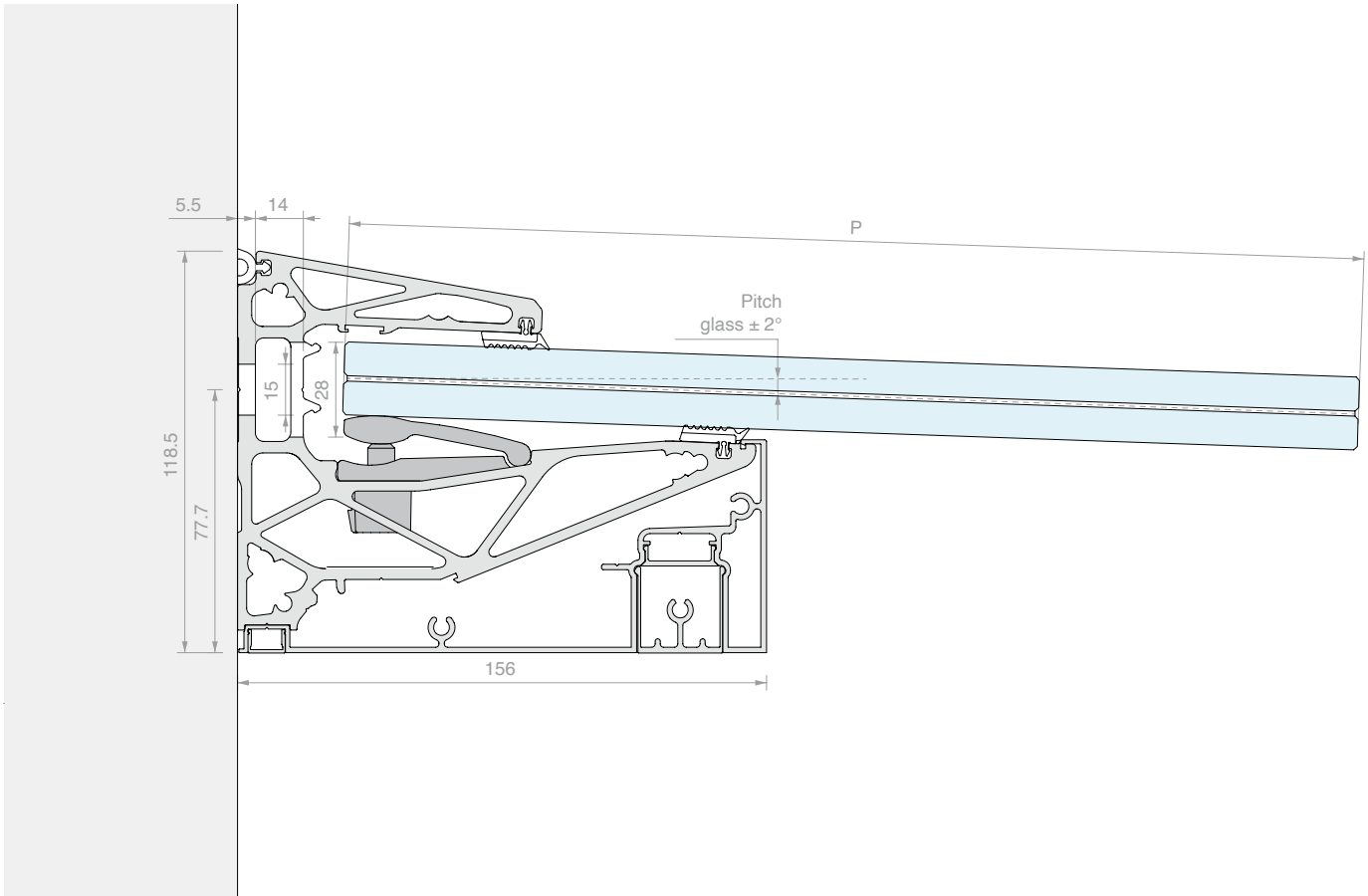
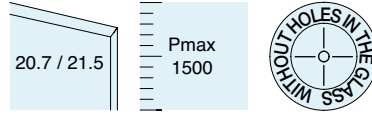
LUMIA KIT - LUCE 1010

FOR 10+10 MM GLASS

WITH BOTTOM COVER FOR FUNCTIONAL LIGHTING

Material: Aluminium

Finish: /10 /88 /97 /RAL



Kit comprising:

| Art. | Description | Qty |
|---------------------|---------------------------------|--------|
| PENL.60 | Profile | 1 Pc |
| PENLCOV05.60 | Functional lighting cover | 1 Pc |
| PENLCOV07.01 | Light leak cover | 2 Pcs |
| LMU11.30 | Bottom screw cover | 2 Pcs |
| PENALU.60 | Opaque profile for bottom light | 1 Pc |
| PENLVIT | Self-drilling screw | 10 Pcs |
| PENLGRYKIT5 | Glass fixing set | 6 Pcs |
| DFPG03.03 | Flat gasket | 4 Pcs |
| PENG03 | Wall sealing gasket | 6 m |
| METAP250 | Finishing cap | 2 Pcs |

Kit comprising:

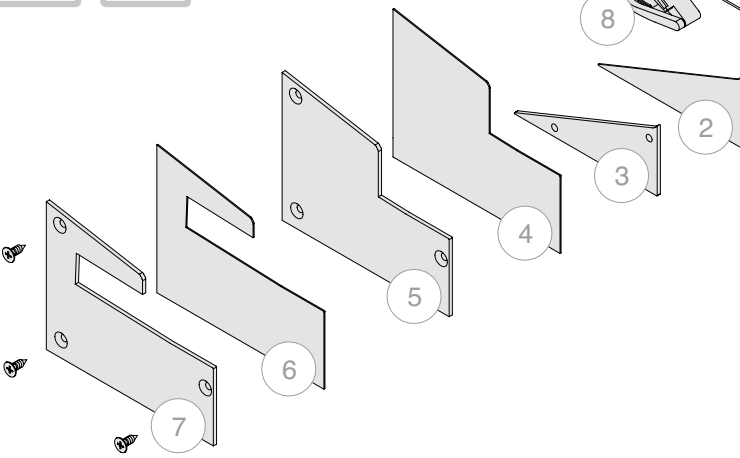
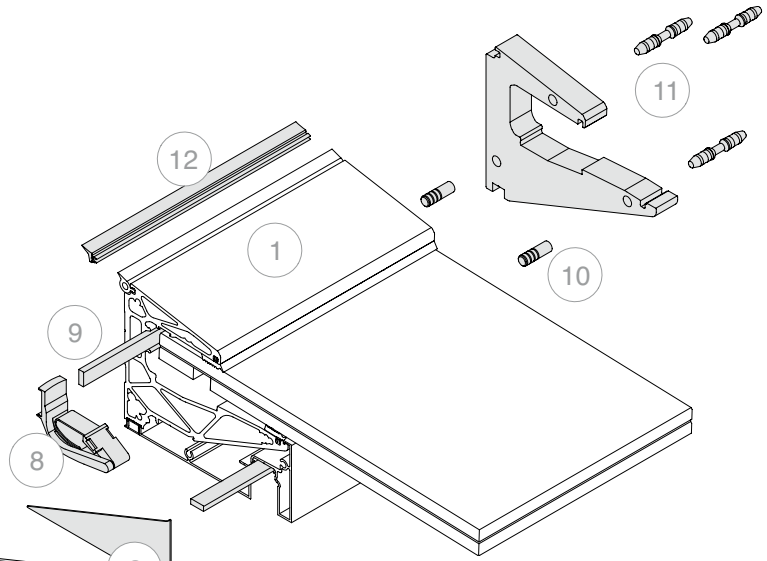
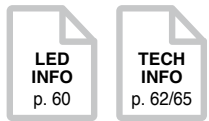
| Art. | Description | Qty |
|---------------------|---------------------------------|-------|
| PENL.30 | Profile | 1 Pc |
| PENLCOV05.30 | Functional lighting cover | 1 Pc |
| PENLCOV07.01 | Light leak cover | 2 Pcs |
| LMU11.30 | Bottom screw cover | 1 Pc |
| PENALU.30 | Opaque profile for bottom light | 1 Pc |
| PENLVIT | Self-drilling screw | 6 Pcs |
| PENLGRYKIT5 | Glass fixing set | 3 Pcs |
| DFPG03.03 | Flat gasket | 2 Pcs |
| PENG03 | Wall sealing gasket | 3 m |
| METAP250 | Finishing cap | 2 Pcs |

| Art. | Length | Qty | Art. | Length | Qty |
|------------------------|----------------|------|------------------------|----------------|------|
| PENLKITL1010.60 | 6000 mm | 1 Pc | PENLKITL1010.30 | 3000 mm | 1 Pc |

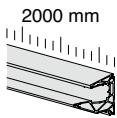
No. Art.
1 **PENLKITL1010**

Optional:

| No. Art. | Description |
|------------------|-------------------------------------|
| 2 PENLT21 | Bottom finishing cap |
| 3 PENLT23 | Bottom finishing cap with screws |
| 4 PENLT11 | LED cover finishing cap |
| 5 PENLT13 | LED cover finishing cap with screws |
| 6 PENLT15 | LED cover open finishing cap |

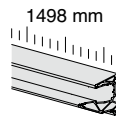


| No. Art. | Description |
|--------------------|--|
| 7 PENLT17 | LED cover open finishing cap with screws |
| 8 PENLSC | Shear pins |
| 9 LEDST001 | LED strip 1 |
| 10 DF25 | 2 centring pins |
| 11 PENLGNKT | Thermal expansion joint with pins |
| 12 DFP88G01 | Gasket with short lip |



Kit comprising:

| Art. | Description | Qty |
|---------------------|---------------------------------|-------|
| PENL.20 | Profile | 1 Pc |
| PENLCOV05.20 | Functional lighting cover | 1 Pc |
| PENLCOV07.01 | Light leak cover | 2 Pcs |
| LMU11.20 | Bottom screw cover | 1 Pc |
| PENALU.20 | Opaque profile for bottom light | 1 Pc |
| PENLVIT | Self-drilling screw | 4 Pcs |
| PENLGRYKIT5 | Glass fixing set | 2 Pcs |
| DFPG03 | Flat gasket | 4 m |
| PENG03 | Wall sealing gasket | 2 m |
| METAP250 | Finishing cap | 2 Pcs |



Kit comprising:

| Art. | Description | Qty |
|---------------------|---------------------------------|-------|
| PENL.15 | Profile | 1 Pc |
| PENLCOV05.15 | Functional lighting cover | 1 Pc |
| PENLCOV07.01 | Light leak cover | 2 Pcs |
| LMU11.15 | Bottom screw cover | 1 Pc |
| PENALU.15 | Opaque profile for bottom light | 1 Pc |
| PENLVIT | Self-drilling screw | 3 Pcs |
| PENLGRY | Clamp for glass fixing | 7 Pcs |
| DFPG03 | Flat gasket | 3 m |
| PENG03 | Wall sealing gasket | 1.5 m |
| METAP250 | Finishing cap | 2 Pcs |

| Art. | Length | Qty | Art. | Length | Qty |
|------------------------|---------|------|------------------------|---------|------|
| PENLKITL1010.20 | 2000 mm | 1 Pc | PENLKITL1010.15 | 1498 mm | 1 Pc |

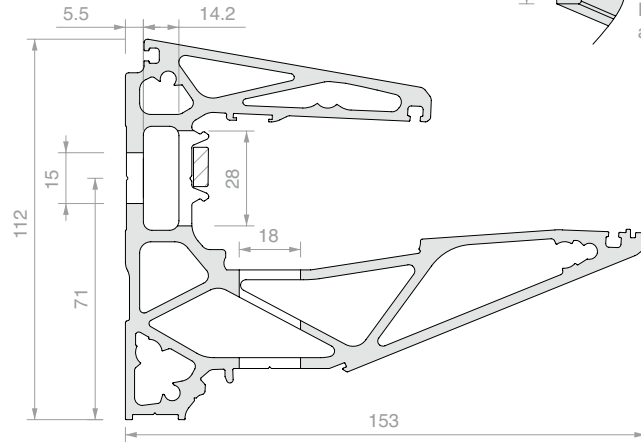
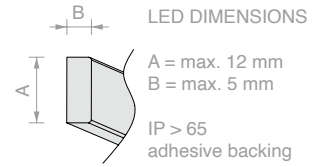




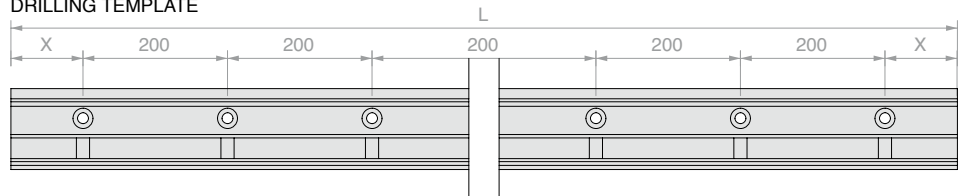
LUMIA PROFILE

Material: Aluminium (6063 - T6)

Finish: /10 /88 /97 /RAL



DRILLING TEMPLATE



| Art. | L | X | Qty |
|----------------|---------|------------|------|
| PENL.15 | 1498 mm | 100 ± 5 mm | 1 Pc |
| PENL.20 | 2000 mm | 100 ± 5 mm | 1 Pc |
| PENL.30 | 3000 mm | 100 ± 5 mm | 1 Pc |
| PENL.60 | 6000 mm | 100 ± 5 mm | 1 Pc |



GLASS FIXING KIT FOR LUMIA

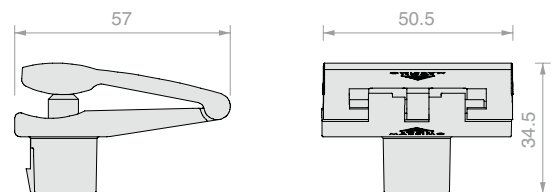
Material: High strength polyamide

| Art. | Description | Qty |
|--------------------|--------------------------|------|
| PENLGRYKIT5 | 5 clamps with grub screw | 1 Pc |



CLAMP WITH GRUB SCREW FOR FIXING GLASS FOR LUMIA

Material: High strength polyamide

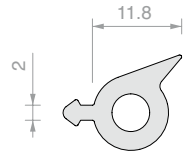


| Art. | Qty |
|----------------|------|
| PENLGRY | 1 Pc |

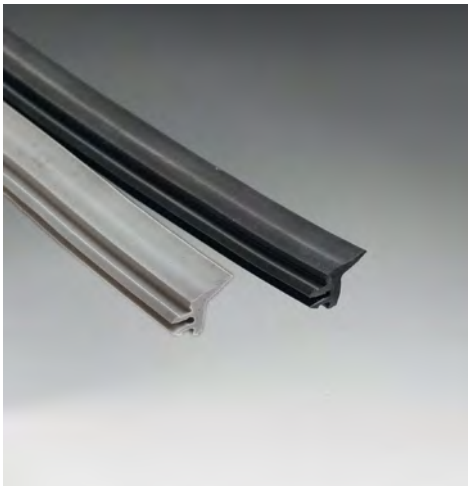
**WALL SEALING GASKET**

Material: TPE

Colour: grey

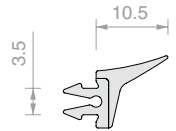


| Art. | Package | Qty |
|------------------|-----------|------|
| PENG03 | | 1 m |
| PENG03.60 | 60 m roll | 1 Pc |

**GASKET WITH SHORT LIP**

Material: TPE

Finish: /6 /97

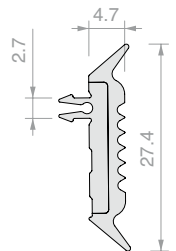


| Art. | For glass | Package | Qty |
|--------------------|--------------|-------------|------|
| DFP88G01 | 16.7/17.5 mm | | 1 m |
| DFP88G01.03 | 16.7/17.5 mm | 3 m profile | 1 Pc |
| DFP88G01.60 | 16.7/17.5 mm | 60 m roll | 1 Pc |

**FLAT GASKET**

Material: TPE

Finish: /6 /97

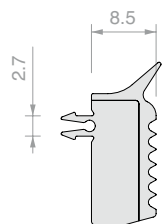


| Art. | Package | Qty |
|------------------|-------------|------|
| DFPG03 | | 1 m |
| DFPG03.03 | 3 m profile | 1 Pc |
| DFPG03.60 | 60 m roll | 1 Pc |

**OVERSIZED FLAT GASKET**

Material: TPE

Finish: /6 /97



| Art. | Package | Qty |
|------------------|-------------|------|
| DFPG82 | | 1 m |
| DFPG82.03 | 3 m profile | 1 Pc |
| DFPG82.60 | 60 m roll | 1 Pc |

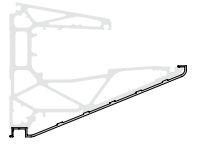
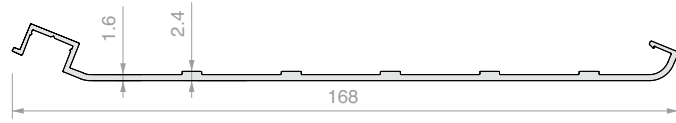


INCLINED BOTTOM COVER

Material: Aluminium

Finish: /10 /88 /97 /RAL

Note: Install using fixing screws



| Art. | Length | Qty |
|---------------------|----------------|------|
| PENLCOV03.15 | 1498 mm | 1 Pc |
| PENLCOV03.20 | 2000 mm | 1 Pc |
| PENLCOV03.30 | 3000 mm | 1 Pc |
| PENLCOV03.60 | 6000 mm | 1 Pc |

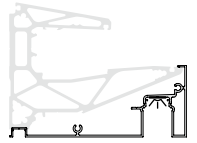
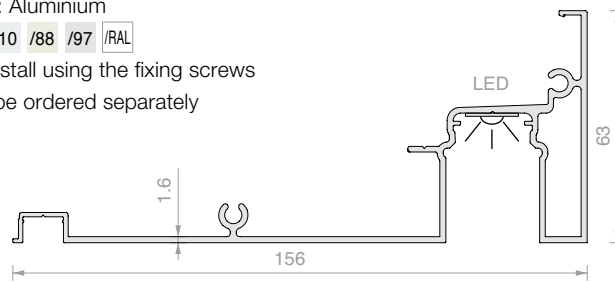


BOTTOM COVER FOR FUNCTIONAL LIGHTING

Material: Aluminium

Finish: /10 /88 /97 /RAL

Note: Install using the fixing screws LED to be ordered separately



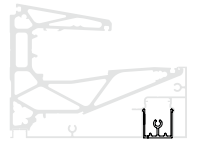
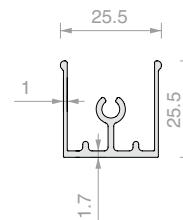
| Art. | Length | Qty |
|---------------------|----------------|------|
| PENLCOV05.15 | 1498 mm | 1 Pc |
| PENLCOV05.20 | 2000 mm | 1 Pc |
| PENLCOV05.30 | 3000 mm | 1 Pc |
| PENLCOV05.60 | 6000 mm | 1 Pc |



BOTTOM COVER FOR LIGHT JOINT

Material: Aluminium

Finish: /10 /88 /97 /RAL



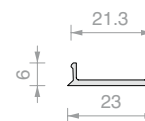
| Art. | Length | Qty |
|---------------------|----------------|------|
| PENLCOV07.15 | 1498 mm | 1 Pc |
| PENLCOV07.20 | 2000 mm | 1 Pc |
| PENLCOV07.30 | 3000 mm | 1 Pc |
| PENLCOV07.60 | 6000 mm | 1 Pc |



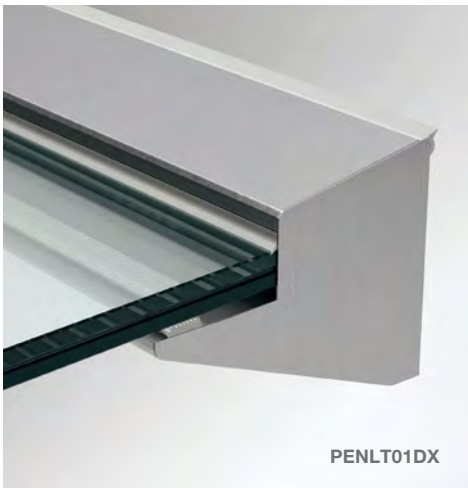
OPAQUE PROFILE FOR BOTTOM LIGHT

Material: PC

Finish: transparent opaque



| Art. | Length | Qty |
|------------------|----------------|------|
| PENALU.15 | 1500 mm | 1 Pc |
| PENALU.20 | 2000 mm | 1 Pc |
| PENALU.30 | 3000 mm | 1 Pc |
| PENALU.60 | 6000 mm | 1 Pc |

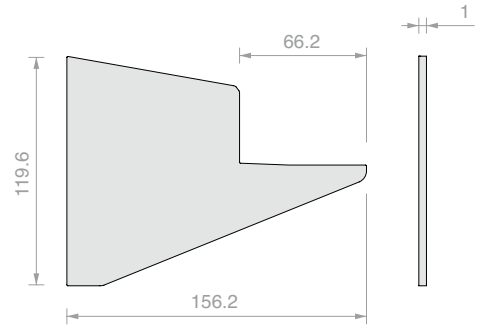


FINISHING CAP

Material: Aluminium

Finish: /10 /88 /97 /RAL

Note: Install using silicone on the whole end of the cap



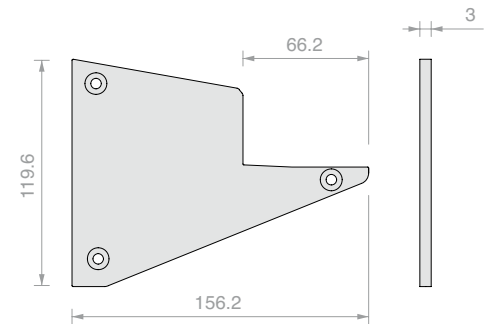
| Art. | Mounting | Qty |
|------------------|----------|------|
| PENLT01SX | Left | 1 Pc |
| PENLT01DX | Right | 1 Pc |



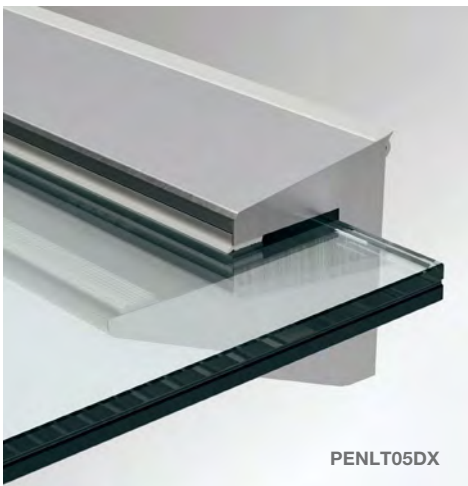
FINISHING CAP WITH SCREWS

Material: Aluminium

Finish: /10 /88 /97 /RAL



| Art. | Mounting | Qty |
|------------------|----------|------|
| PENLT03SX | Left | 1 Pc |
| PENLT03DX | Right | 1 Pc |

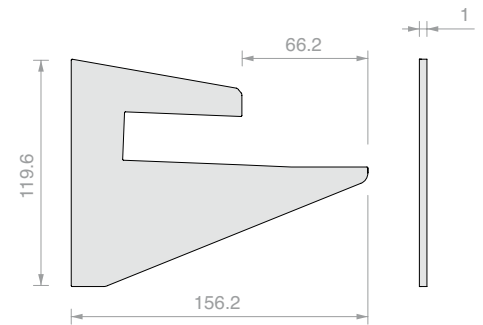


OPEN FINISHING CAP

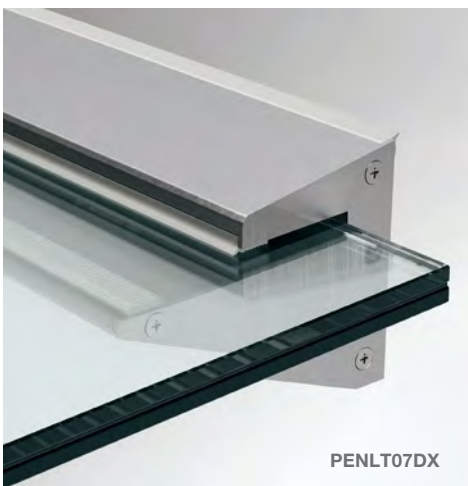
Material: Aluminium

Finish: /10 /88 /97 /RAL

Note: Install using silicone on the whole end of the cap



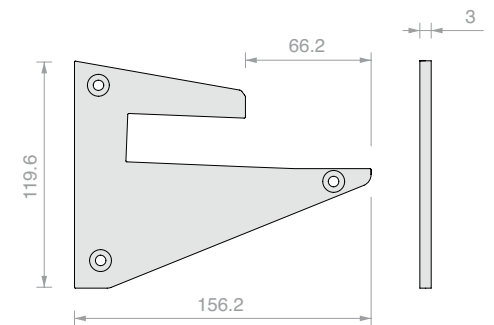
| Art. | Mounting | Qty |
|------------------|----------|------|
| PENLT05SX | Left | 1 Pc |
| PENLT05DX | Right | 1 Pc |



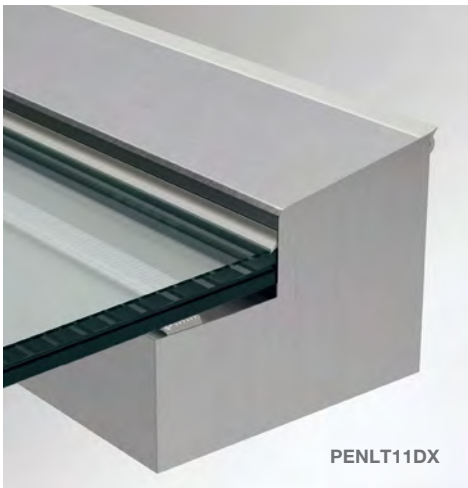
OPEN FINISHING CAP WITH SCREWS

Material: Aluminium

Finish: /10 /88 /97 /RAL



| Art. | Mounting | Qty |
|------------------|----------|------|
| PENLT07SX | Left | 1 Pc |
| PENLT07DX | Right | 1 Pc |

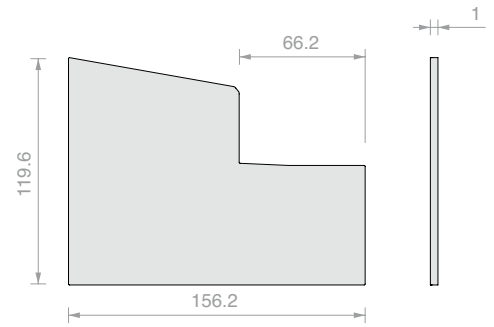


LED COVER FINISHING CAP

Material: Aluminium

Finish: /10 /88 /97 /RAL

Note: Install using silicone on the whole end of the cap



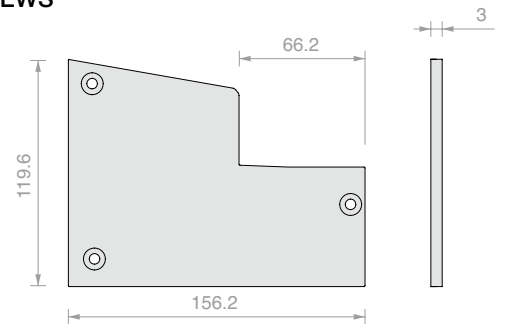
| Art. | Mounting | Qty |
|------------------|----------|------|
| PENLT11SX | Left | 1 Pc |
| PENLT11DX | Right | 1 Pc |



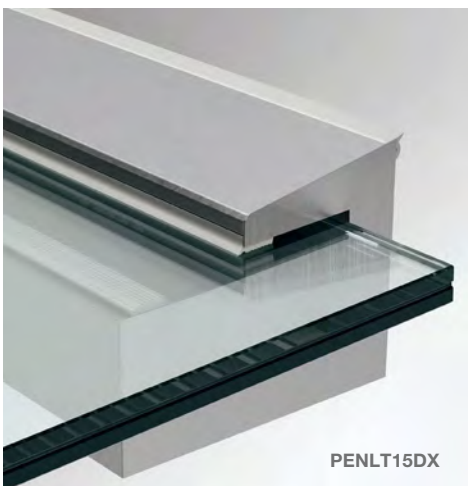
LED COVER FINISHING CAP WITH SCREWS

Material: Aluminium

Finish: /10 /88 /97 /RAL



| Art. | Mounting | Qty |
|------------------|----------|------|
| PENLT13SX | Left | 1 Pc |
| PENLT13DX | Right | 1 Pc |

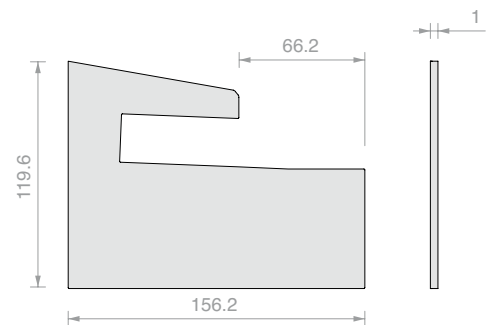


LED COVER OPEN FINISHING CAP

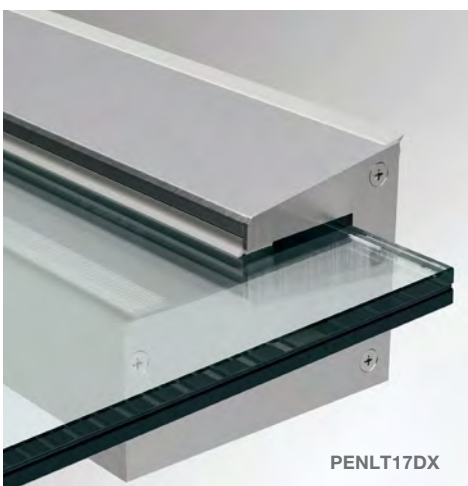
Material: Aluminium

Finish: /10 /88 /97 /RAL

Note: Install using silicone on the whole end of the cap



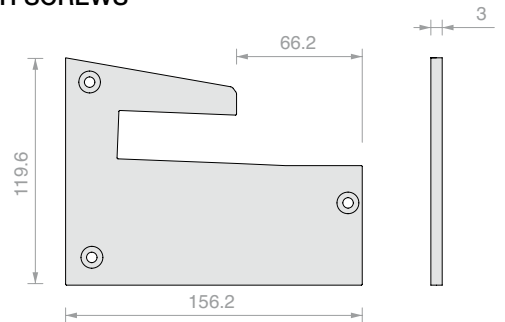
| Art. | Mounting | Qty |
|------------------|----------|------|
| PENLT15SX | Left | 1 Pc |
| PENLT15DX | Right | 1 Pc |



LED COVER OPEN FINISHING CAP WITH SCREWS

Material: Aluminium

Finish: /10 /88 /97 /RAL



| Art. | Mounting | Qty |
|------------------|----------|------|
| PENLT17SX | Left | 1 Pc |
| PENLT17DX | Right | 1 Pc |

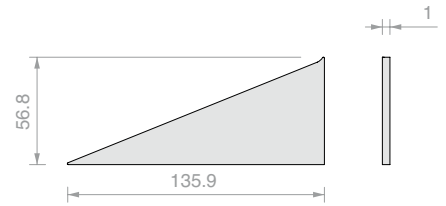


LED COVER BOTTOM FINISHING CAP

Material: Aluminium

Finish: /10 /88 /97 /RAL

Note: Install using silicone on the whole end of the cap



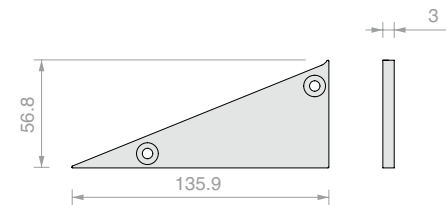
| Art. | Mounting | Qty |
|------------------|----------|------|
| PENLT21SX | Left | 1 Pc |
| PENLT21DX | Right | 1 Pc |



LED COVER BOTTOM FINISHING CAP WITH SCREWS

Material: Aluminium

Finish: /10 /88 /97 /RAL



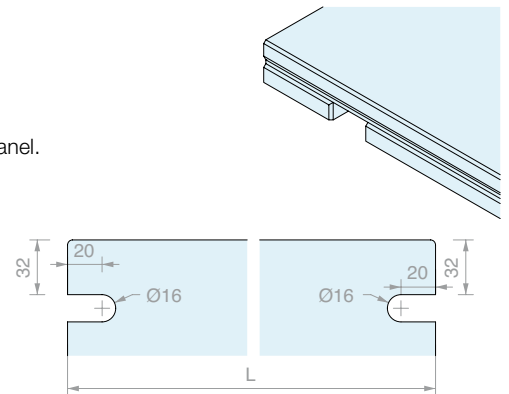
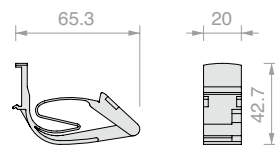
| Art. | Mounting | Qty |
|------------------|----------|------|
| PENLT23SX | Left | 1 Pc |
| PENLT23DX | Right | 1 Pc |



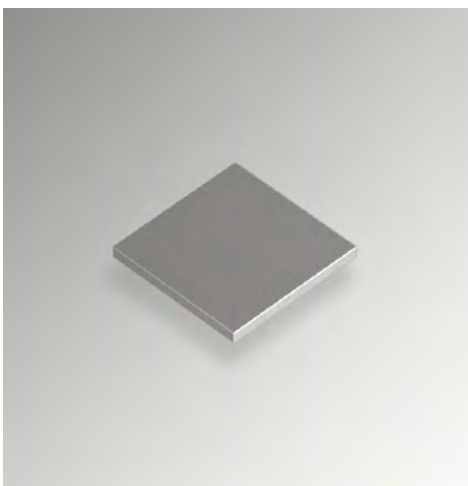
2 LUMIA SHEAR PINS

Material: High strength polyamide

Note: installation and functions on page 65
For these accessories, machining is required on the bottom pane of glass on the laminated panel.



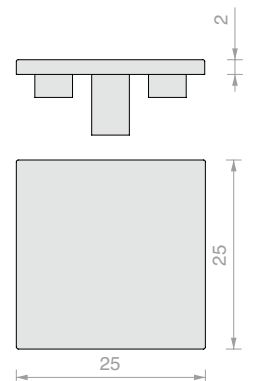
| Art. | Qty |
|---------------|------|
| PENLSC | 1 Pc |



FINISHING CAP FOR PENLCOV07

Material: POM

Finish: /6 /56



| Art. | Qty |
|-----------------|------|
| METAP250 | 1 Pc |



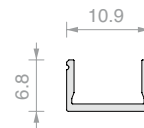
SNAP-ON BOTTOM SCREW COVER

Material: Aluminium

Finish: /10 /88 /97 /RAL

Note: profile to be used with

Art. PENLCOV03 and PENLCOV05.

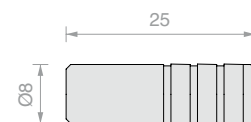


| Art. | Length | Qty |
|-----------------|----------------|-------------|
| LMU11.15 | 1498 mm | 1 Pc |
| LMU11.20 | 2000 mm | 1 Pc |
| LMU11.30 | 3000 mm | 1 Pc |



2 IN-LINE CENTRING PINS

Material: Aluminium



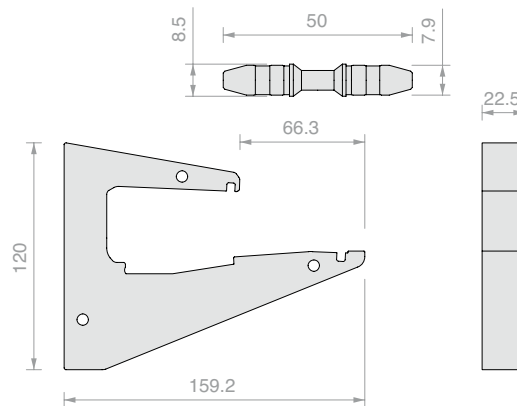
| Art. | Qty |
|-------------|-------------|
| DF25 | 1 Pc |



THERMAL EXPANSION JOINT WITH 3 CENTRING PINS

Material: POM/EPDM foam

Finish: black

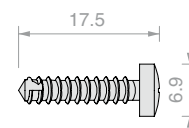


| Art. | Qty |
|-----------------|-------------|
| PENLGNKT | 1 Pc |



SELF-DRILING SCREW

Material: stainless steel



| Art. | Qty |
|----------------|-------------|
| PENLVIT | 1 Pc |

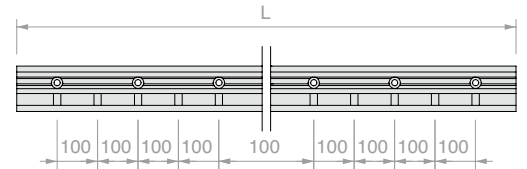
**LINEAR CUT ON PEN/PENL PROFILES**

Art.

PENTAGLIO

Qty

1 Pc

**ADDITIONAL HOLES FOR CLAMPS****Note:** The article numbers refer only to the machining, to be added to profiles with standard drilling

Art.

Length

No. additional holes

Qty

PENL.15FORO

1498 mm

7

1 Pc

PENL.20FORO

2000 mm

9

1 Pc

PENL.30FORO

3000 mm

14

1 Pc

PENL.60FORO

6000 mm

29

1 Pc

PENL.FOROAdditional hole $\varnothing 18$ mm

-

1 Pc

**FLEXIBLE SCREWDRIVER WITH CH4 INSERT**

Art.

DFFLEX06

Qty

1 Pc

**MAKITA GUN SCREWDRIVER**

Dual speed - Shut-off clutch - LED lighting - Reversible

TIGHTENING TORQUE = 2.9 Nm

Art.

DFMAK21

Qty

1 Pc



FLEXIBLE EXTENSION FOR SCREWDRIVER

Can be used with Makita screwdriver art. DFMAK21, or similar

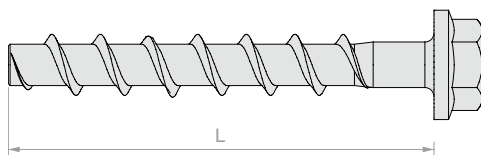
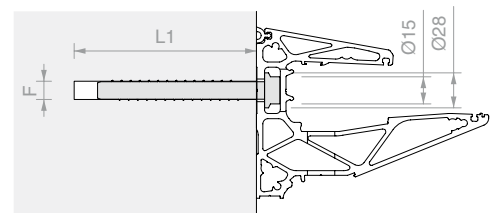
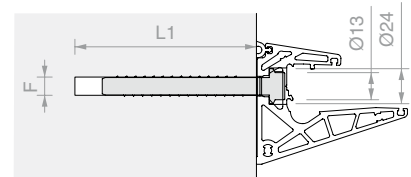
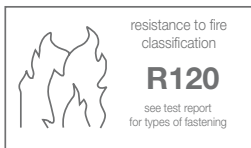
| Art. | Description | Qty |
|-----------------|--|------|
| DFFLEX07 | Flexible extension with hexagonal CH4 insert | 1 Pc |
| DFFLEX04 | Hexagonal CH4 insert | 1 Pc |

CONCRETE ANCHOR

Material: Galvanised steel/A4 stainless steel

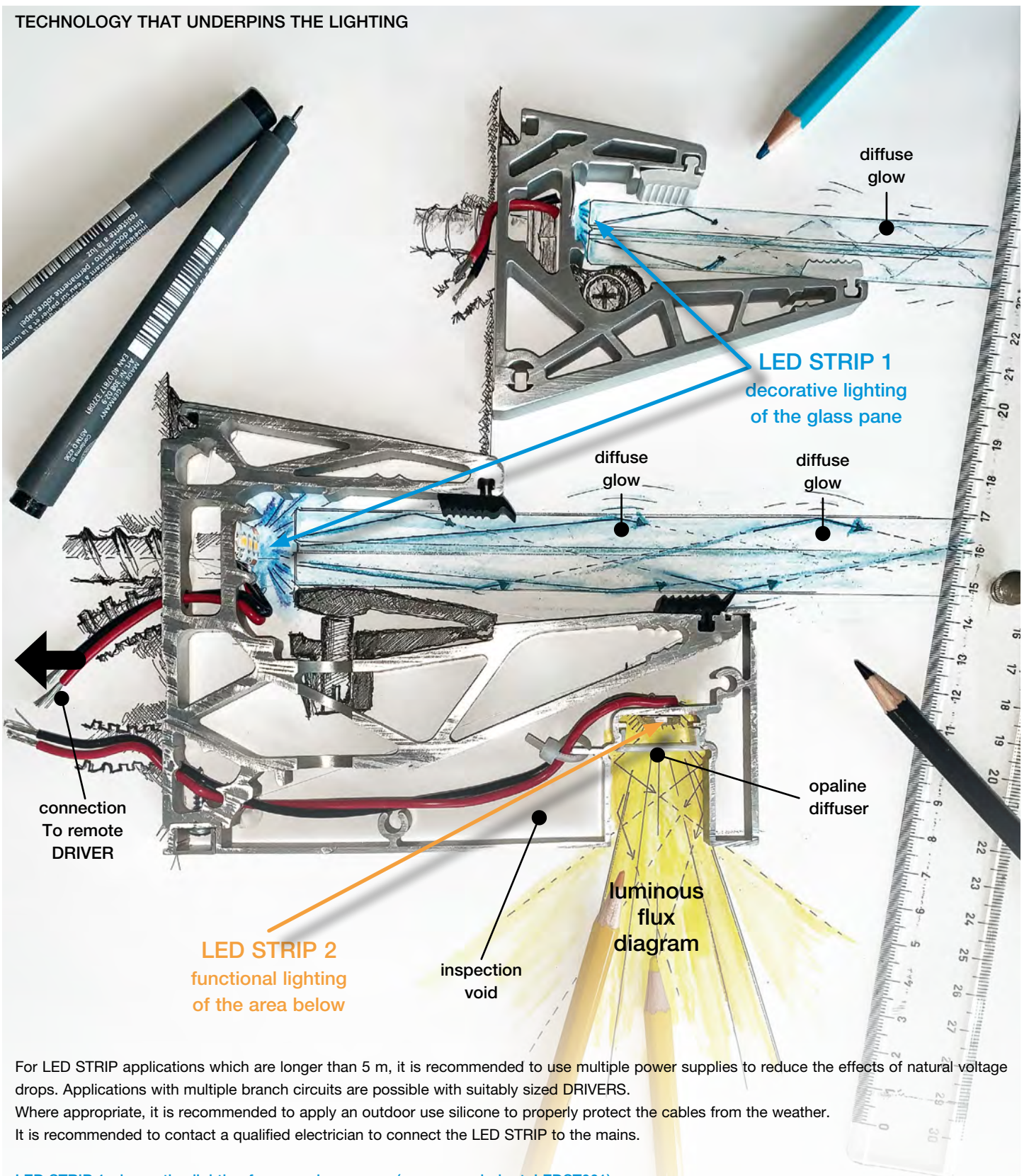
Properties: Mechanical anchor with very high performance for concrete with strength grade from C20/25 to C50/60, cracked and non-cracked.

Package: 15 Pcs



| Art. | L = screw length | F = hole Ø | L1 - Hole depth | Tightening wrench | Material | Qty |
|-----------------|------------------|------------|-----------------|-------------------|--------------------|------|
| DFFH10ZN | 100 mm | 10 mm | 110 mm | SW16 | Galvanised steel | 1 Pc |
| DFFH10A4 | 100 mm | 10 mm | 110 mm | SW16 | Stainless Steel A4 | 1 Pc |
| DFFH12ZN | 110 mm | 12 mm | 120 mm | SW17 | Galvanised steel | 1 Pc |
| DFFH12A4 | 110 mm | 12 mm | 120 mm | SW17 | Stainless Steel A4 | 1 Pc |

TECHNOLOGY THAT UNDERPINS THE LIGHTING



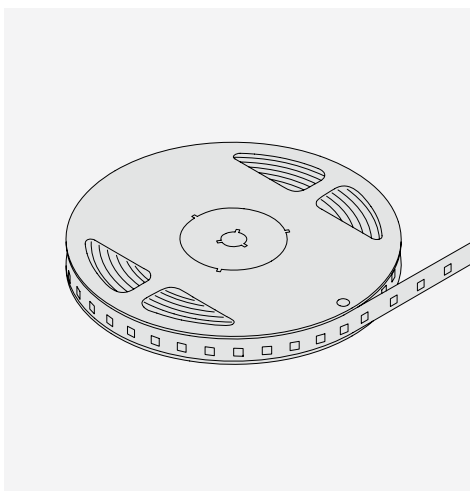
For LED STRIP applications which are longer than 5 m, it is recommended to use multiple power supplies to reduce the effects of natural voltage drops. Applications with multiple branch circuits are possible with suitably sized DRIVERS. Where appropriate, it is recommended to apply an outdoor use silicone to properly protect the cables from the weather. It is recommended to contact a qualified electrician to connect the LED STRIP to the mains.

LED STRIP 1: decorative lighting for your glass panes (recommended art. LEDST001)

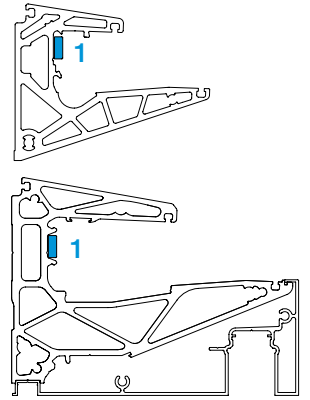
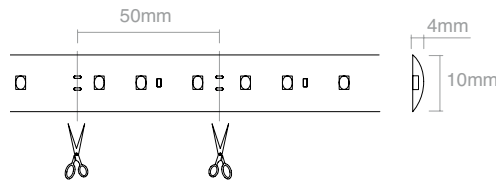
The effect of decorative lighting on glass can highlight defects on the surface or inside the panes of glass, responsible for the diffuse glow effect. These defects tend to be more apparent as the light brightness increases: it is recommended to pay close attention to this during the production of the panes of glass and use only medium brightness LED STRIPS. It is recommended that you check each LED STRIP before installation.

LED STRIP 2: functional lighting of the area below (recommended art. LEDST002)

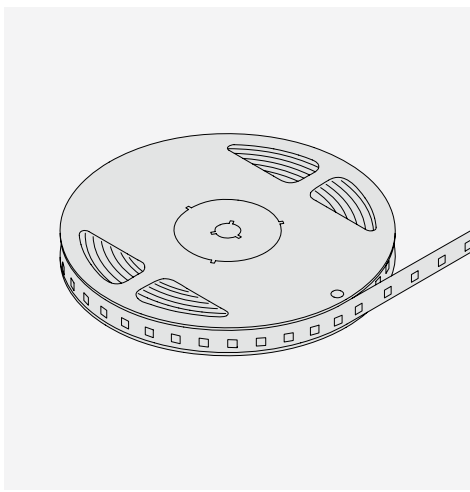
The recommended LED strip correctly illuminates the floor for installations at a height of approximately 3 metres. The intensity of the lighting is lower if the installation is higher. The lighting void and the LED STRIP must still be accessible for inspection.



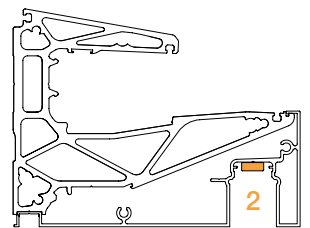
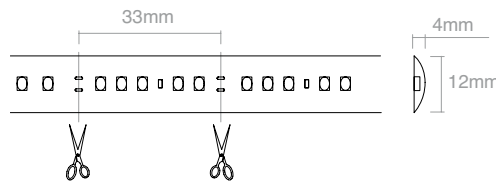
LED STRIP 1 - IP66 FOR GLASS
 ALSO SUITABLE FOR OUTDOOR USE
LED strip 24V DC IP66 power 9.6 W/m 140 LED/m
CCT 4000K - lm/m 922 - lm/W 96



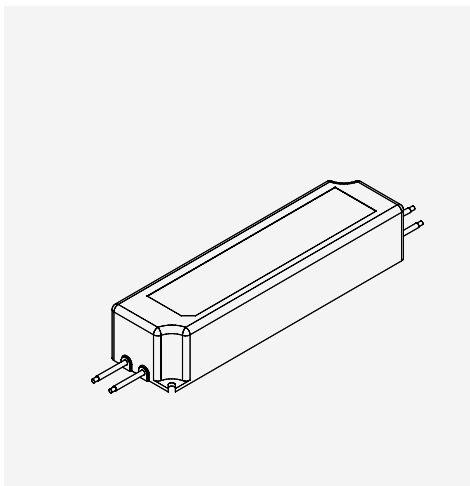
| Art. | Length | Qty |
|-----------------|----------------|-------------|
| LEDST001 | 5000 mm | 1 Pc |



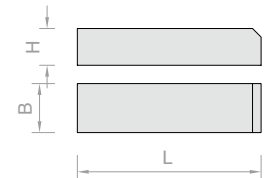
LED STRIP 2 - IP66 FOR FUNCTIONAL LIGHTING
 ALSO SUITABLE FOR OUTDOOR USE
LED strip 24V DC IP66 power 14.4 W/m 210 LED/m
CCT 4000K - lm/m 1324 - lm/W 92



| Art. | Length | Qty |
|-----------------|----------------|-------------|
| LEDST002 | 5000 mm | 1 Pc |



24V DC POWER SUPPLY
 ALSO SUITABLE FOR OUTDOOR USE
24V DC power supply, 35 W to 150 W, IP67
100-240 V operation



| Art. | Power supply unit | L | B | H | Qty |
|-------------------|--------------------------|---------------|--------------|--------------|-------------|
| LED24035IP | 24V DC 35 W IP67 | 150 mm | 40 mm | 30 mm | 1 Pc |
| LED24060IP | 24V DC 60 W IP67 | 162 mm | 42 mm | 32 mm | 1 Pc |
| LED24100IP | 24V DC 100 W IP67 | 190 mm | 52 mm | 37 mm | 1 Pc |
| LED24150IP | 24V DC 150 W IP67 | 222 mm | 68 mm | 38 mm | 1 Pc |

- Pay attention to the polarity of the products.
- Only use stabilised 24V DC power supplies.
- After having calculated the total power draw of the devices to be installed, select a power supply unit which always has a load margin of more than 15/20% over the calculated load.
- During maintenance, disconnect the power supply.

Connect multiple devices in parallel:
 to avoid damaging the LEDs, make all connections before powering on.

Max. continuous length 5 m

Example: Length of STRIP 3 m

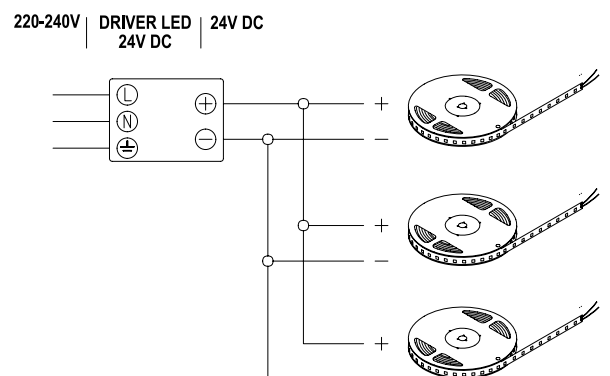
Type LED STRIP 1 24 V DC MAX 9.6 W/m (Art. LEDST001)

Select DRIVER power supply: LED type absorption x LED length + 15% (minimum increase due to voltage drop) $9.6 \times 3 \times 1.15 = 33.15 \text{ W (MIN)}$.

The power supply DRIVER to select: 24V DC 35W (Art. LED24035IP)

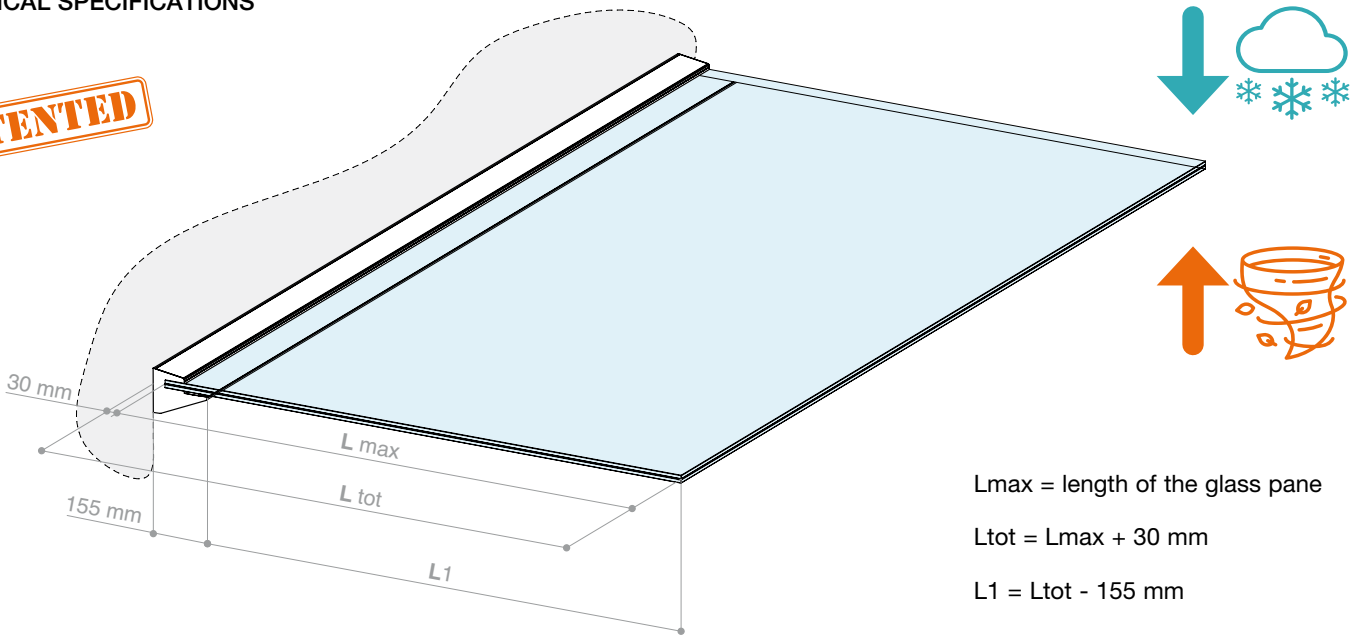
Full list of articles: LEDST001 1 Pc - LED24035IP 1 Pc

CONNECTION DIAGRAM - PARALLEL CIRCUIT



TECHNICAL SPECIFICATIONS

PATENTED

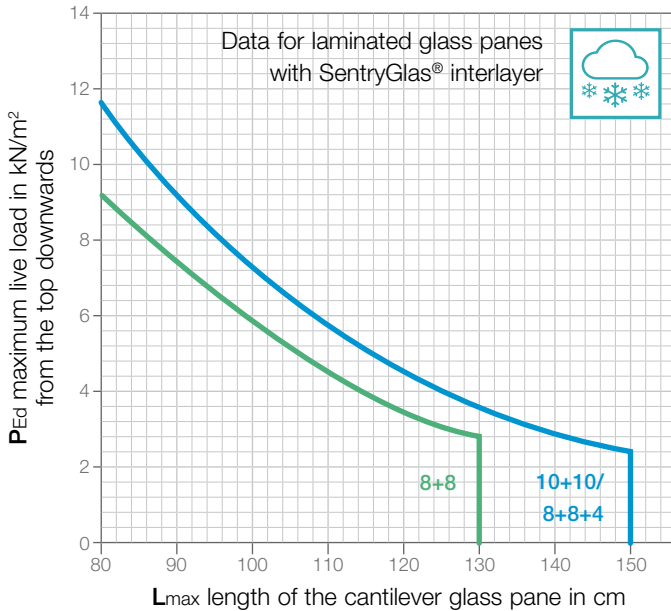


L_{max} = length of the glass pane

L_{tot} = L_{max} + 30 mm

L_1 = L_{tot} - 155 mm

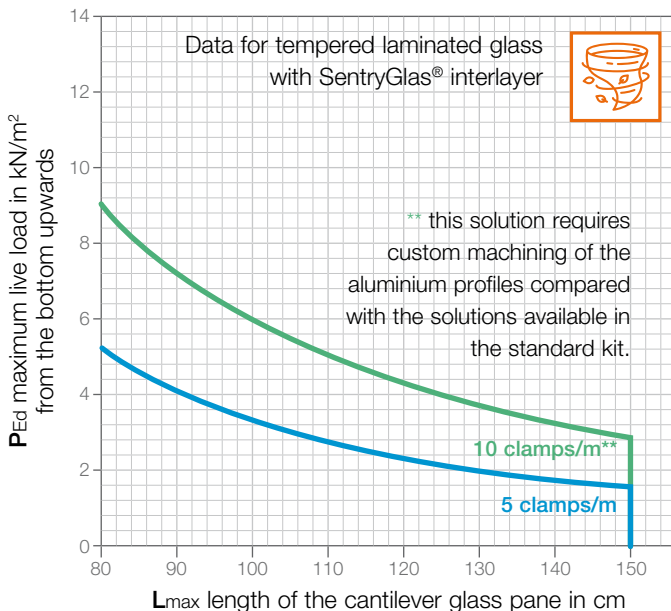
CANTILEVER SNOW LOAD PERFORMANCE



| L_{max} [cm] | P_{Ed} [kN/m ²] | |
|----------------|-------------------------------|-----------------|
| | 10+10 8+8+4 temp. SG | 8+8 temp. SG |
| 80 | 11.6 | 9.26 |
| 90 | 8.77 | 7.02 |
| 100 | 6.83 | 5.46 |
| 109 | 5.43 | 4.34 |
| 120 | 4.39 | 3.51 |
| 130 | 3.59 | 2.86 |
| 140 | 2.97 | |
| 150 | 2.48 | |

The maximum design load P_{Ed} refers to the sum of all variable loads acting downwards, including the associated safety and combination coefficients. The weight of the glass pane itself is always taken into account and does not need to be added. The results are shown for double layer tempered laminated glass EN 12150-1 10+10 mm or 8+8 mm or triple layer 8+8+4 mm, laminated with a 1.52 mm rigid SentryGlas® interlayer. With the triple layer configuration, the thinnest layer should be positioned facing the top of the installation. The results already take into consideration the reduction in strength caused by any machining of the lower glass pane to insert the shear pins on both sides. The configurations of the glass and the interlayers are provided by way of example and are not exhaustive of all installation possibilities: indeed, there are numerous alternative solutions known and in use on the market which have equal or potentially better performance levels in many important technical aspects (e.g. resistance to de-lamination, post-rupture behaviour, stability versus temperature variations, etc.).

CANTILEVER GLASS SUPPORT CURVE

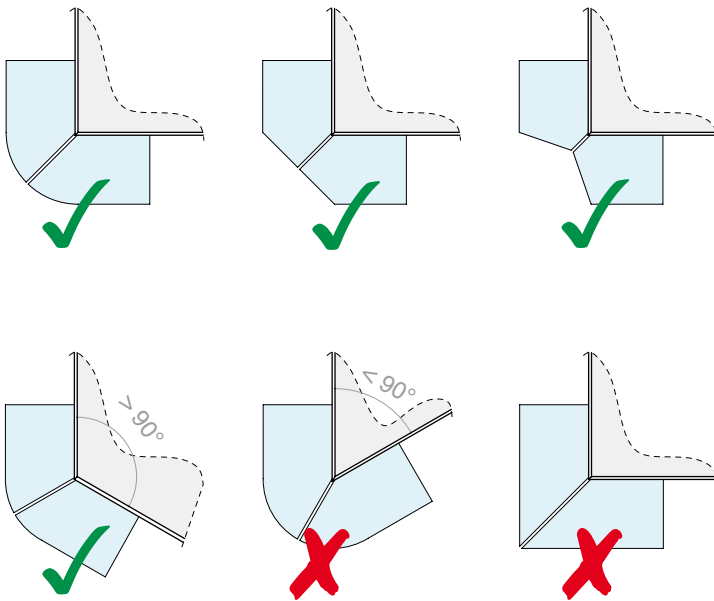
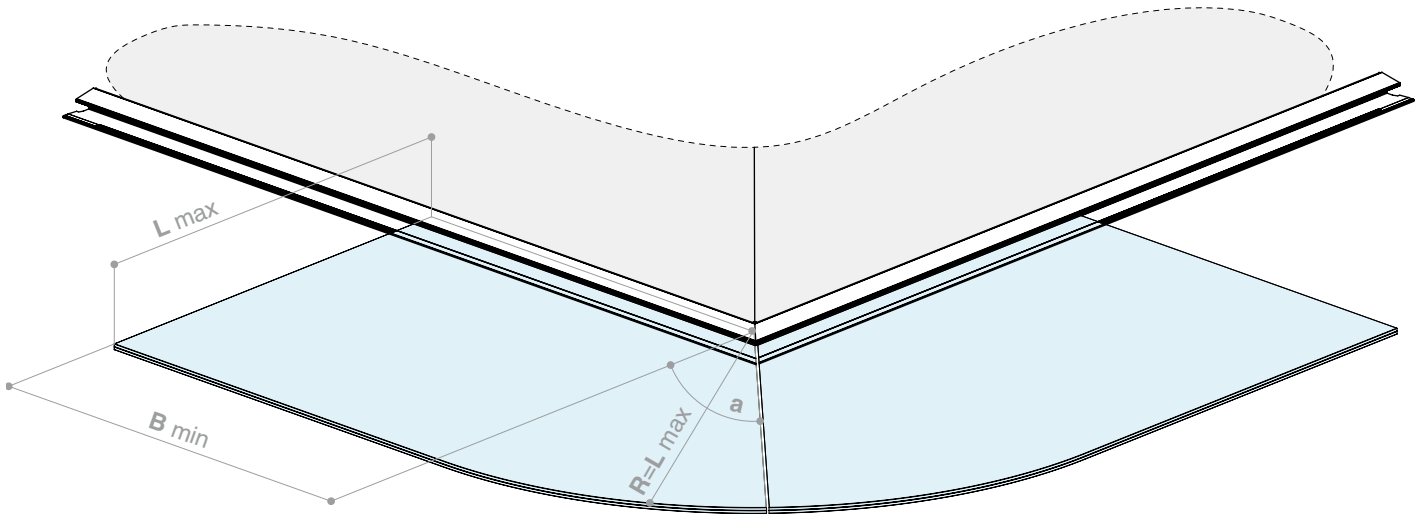


| L_{max} [cm] | no. clamps/m | |
|----------------|--------------|------|
| | 5 | 10 |
| 80 | 5.10 | 8.71 |
| 90 | 4.12 | 6.93 |
| 100 | 3.37 | 5.68 |
| 109 | 2.84 | 4.76 |
| 120 | 2.44 | 4.07 |
| 130 | 2.13 | 3.54 |
| 140 | 1.90 | 3.12 |
| 150 | 1.71 | 2.79 |

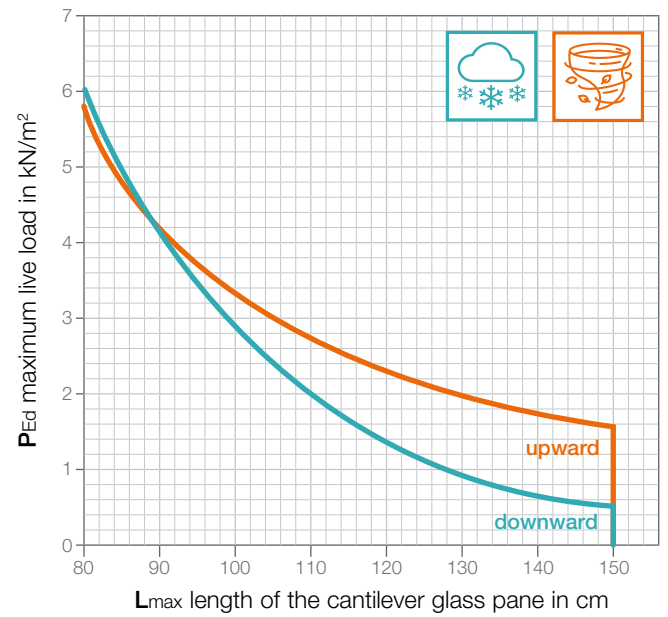
Note: the final assessment of the compliance of the system with the safety requirements remains a matter for the qualified engineer to assess, who will be able to verify the applicability of the data provided for the actual installation conditions, the conformity of the system for fastening to the load-bearing structure and the system's compliance with global safety requirements and those specific to the installation site (loads, support properties, exceptional loads, etc.). Detailed information about the design of the system is available online on our website or can be requested by contacting the Logli Saint-Gobain customer care technical department.

SentryGlas® is a registered trademark of Kuraray America, Inc. Trademarks may not be applied for or registered in all countries.

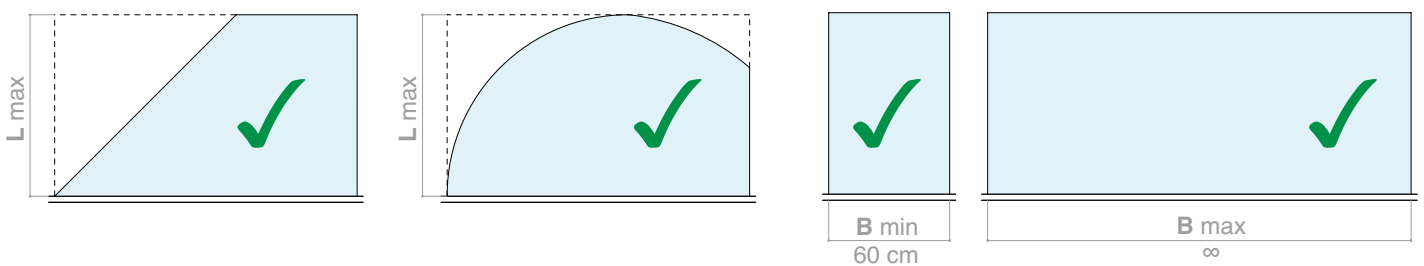
CORNER SOLUTIONS



PERFORMANCE - CORNER CANTILEVER

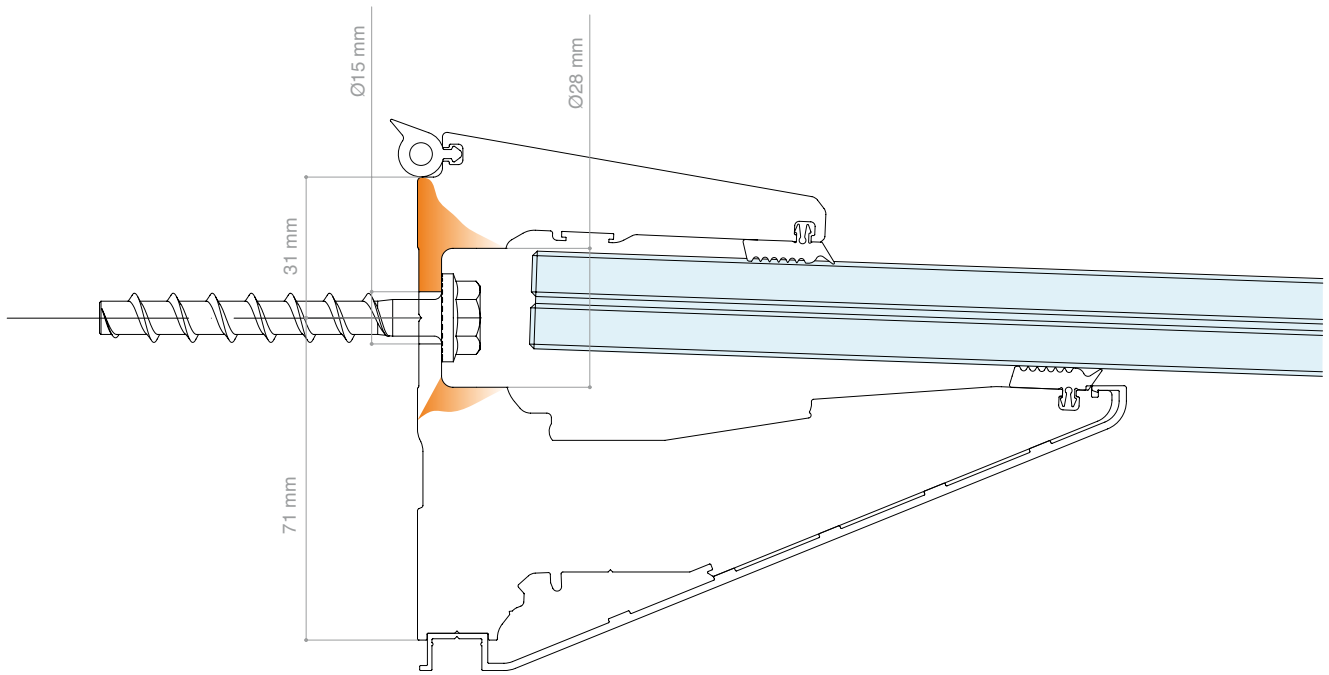


NON-STANDARD SOLUTIONS

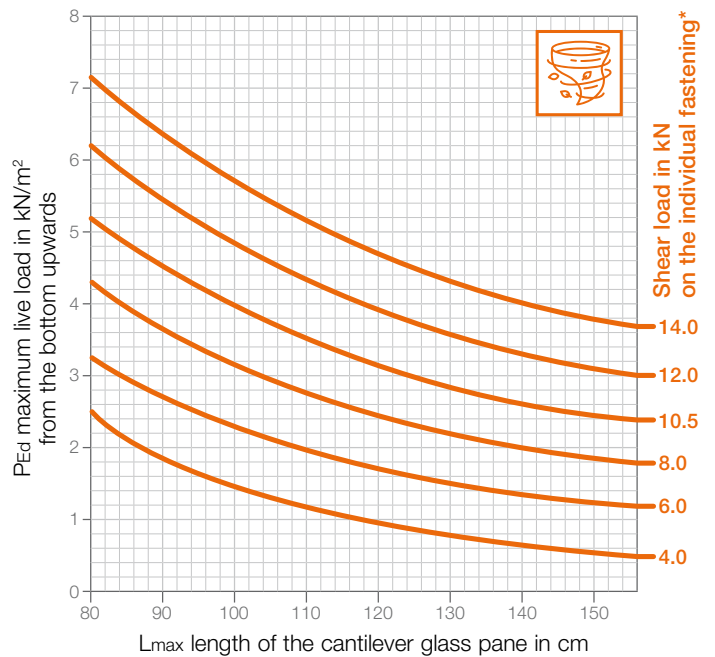
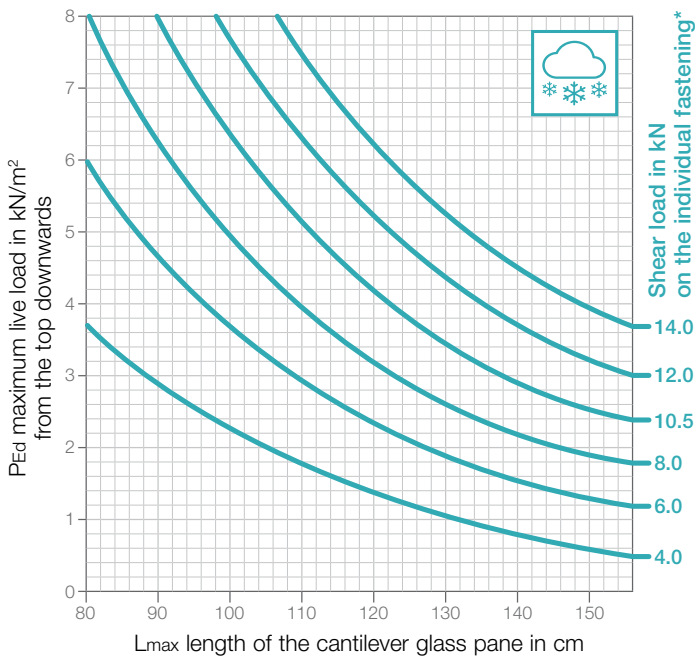


CONNECTION TO THE STRUCTURE

CHARTS FOR THE PRELIMINARY DESIGN OF THE FASTENING SYSTEMS



CHARTS FOR PRELIMINARY DESIGN OF THE FASTENING SYSTEMS

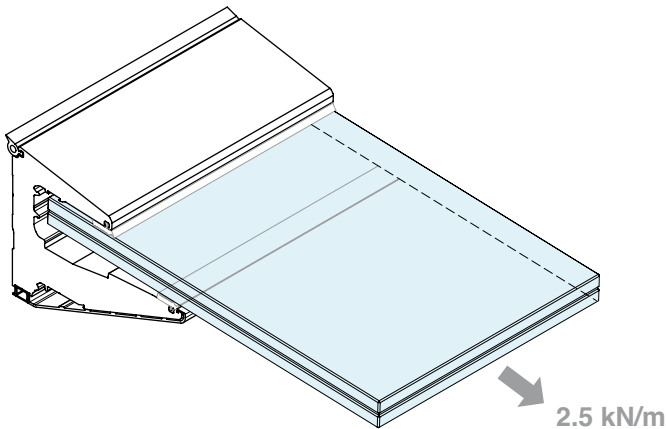


*The shear load on the individual fixing point is to be considered for the purposes of identifying the most suitable type of fastening for the structure. The values shown are based on a standard spacing of fixings of 200 mm (corresponding to installing a fastening in each hole). The reference to the design load P_{Ed} shown already includes the weight of the glass panes. Charts considering the shear force on the fastenings are not shown, as these are not a dimensioning factor in the majority of cases.

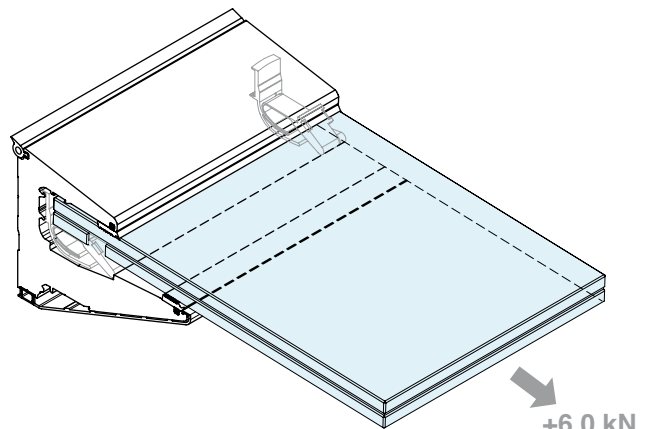
Note: the verification of the most suitable types of fastenings for the structure as well as their spacing in relation to the actual design loads remains a matter for the qualified engineer to assess, who will be able to verify the applicability of the data provided for the actual installation conditions (loads acting on the system, support properties, etc.). For installations in buildings which feature thermal insulation with low structural properties, it is recommended to pay the utmost attention to the creation of substructures with suitable properties to distribute and transmit the loads from the system.

SHEAR PINS (OPTIONAL)

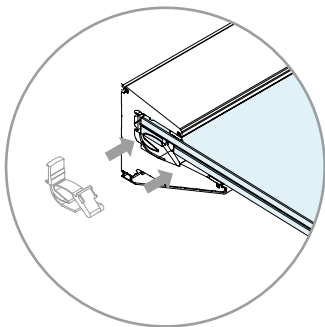
ADDITIONAL AND OPTIONAL SECURING SYSTEM, REQUIRES MACHINING ON THE BOTTOM PANE OF THE LAMINATED GLASS



Standard kit 5 clamps/m

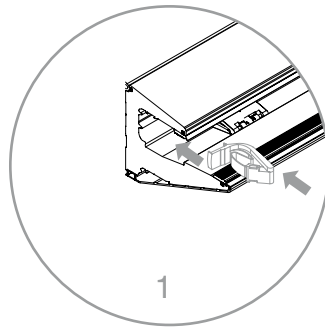


addition of 2 shear pins (optional)

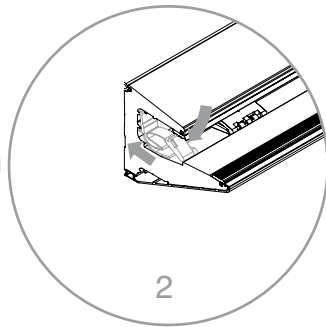


Option 1

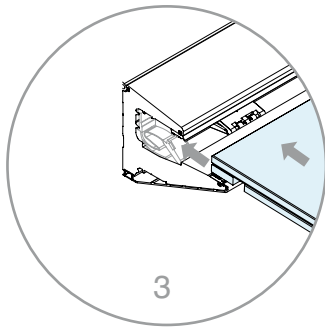
Insertion from side with glass already in position



1



2

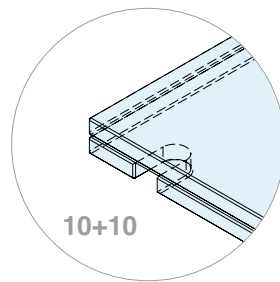
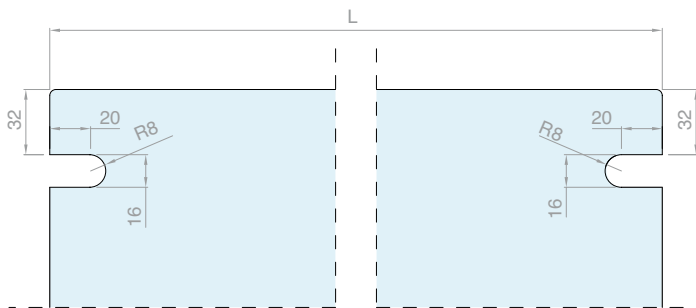


3

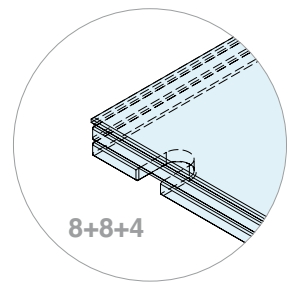
Option 2

Front insertion of the glass with shear pins in position

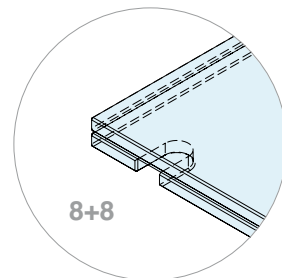
The innovative system with spring-loaded shear pins allows the glass panes to be inserted from the front. This means that shear pins can be used even in situations where access to the sides is not possible, where there are nearby walls or previously fitted panes.



10+10



8+8+4



8+8

Note: Only the lower pane of the laminated glass should be machined.

The geometry of the machining is the same for all thicknesses.

The pull-out resistance of the glass panes from the system has been assessed in texts in accordance with EAD 220025-00-0401:2016 Annex B for BR.4 "Safety and accessibility in use". The pull-out resistance test has been carried out for installations with and without shear pins. The values shown already include the safety coefficient, applied to the specific resistance values obtained in the testing phase.

Canopy Light

Charming shade

Canopy Light, the lightweight and reliable system with an industrial twist. Very straightforward to install, it fits in perfectly in all architectural settings.







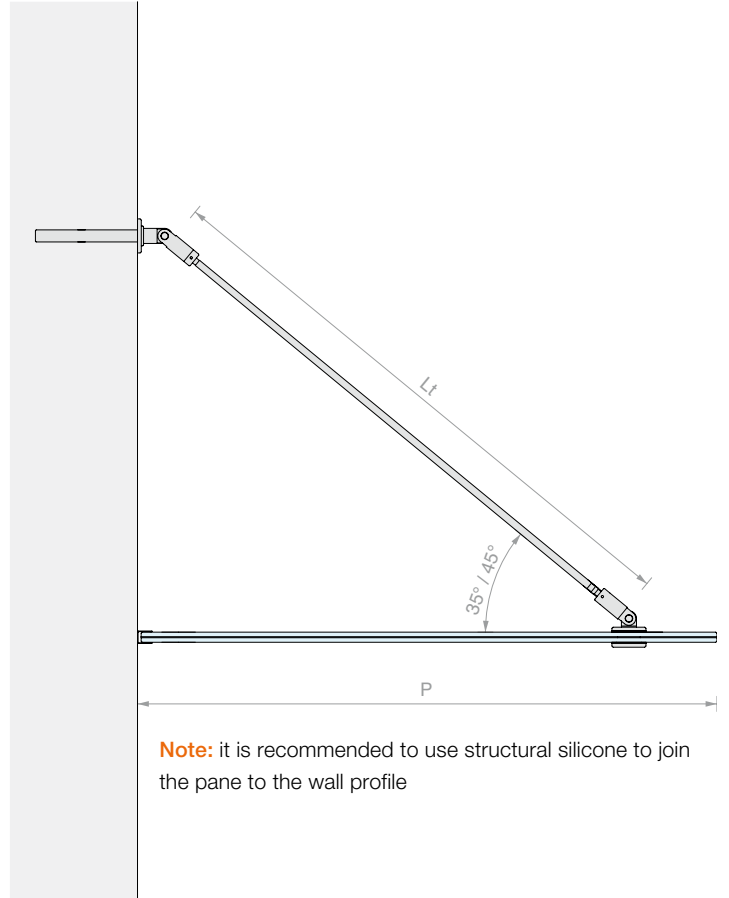
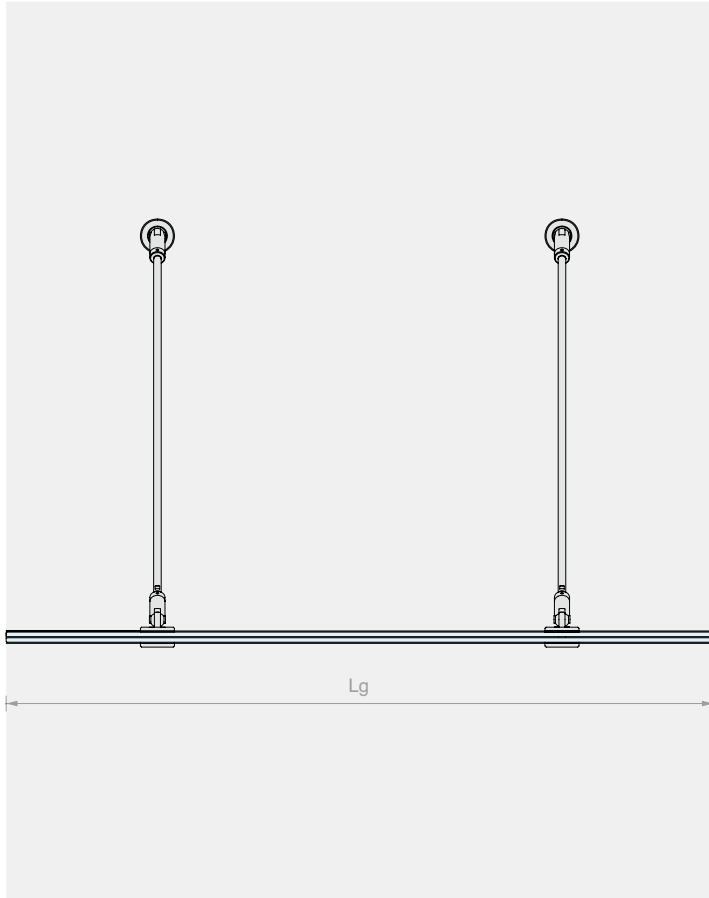
CANOPY LIGHT KIT

WITH 2 TIE RODS AND WALL PROFILE

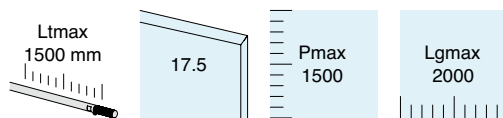
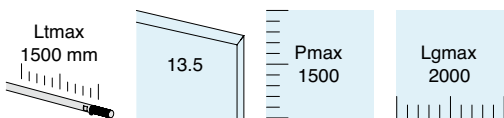
Material: AISI 316L stainless steel

Finish: /9

The kit includes the tie rod cut-to-measure



Note: it is recommended to use structural silicone to join the pane to the wall profile



Kit comprising:

| Art. | Description | Qty | |
|--------------------|------------------------|-------|--|
| GCL21 | Articulated wall joint | 2 Pcs | |
| GCL23 | Tie rod | 2 Pcs | |
| GCL15 | Glass fixing | 2 Pcs | |
| CANAL2515 | Wall profile | 1 Pc | |
| CANAL2515TP | Caps for wall profile | 2 Pcs | |
| PROALUXG | Seal for profiles | 2 m | |

Kit comprising:

| Art. | Description | Qty | |
|--------------------|------------------------|-------|--|
| GCL21 | Articulated wall joint | 2 Pcs | |
| GCL23 | Tie rod | 2 Pcs | |
| GCL15 | Glass fixing | 2 Pcs | |
| CANAL2519 | Wall profile | 1 Pc | |
| CANAL2519TP | Caps for wall profile | 2 Pcs | |
| PROALUXG | Seal for profiles | 2 m | |

| Art. | For glass | Qty |
|-----------------------|-----------|------|
| CL-SNOD156KIT2 | 13.5 mm | 1 Pc |

| Art. | For glass | Qty |
|-----------------------|-----------|------|
| CL-SNOD158KIT2 | 17.5 mm | 1 Pc |



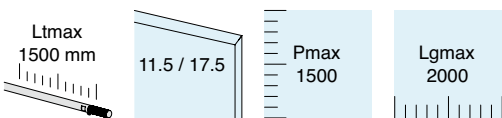
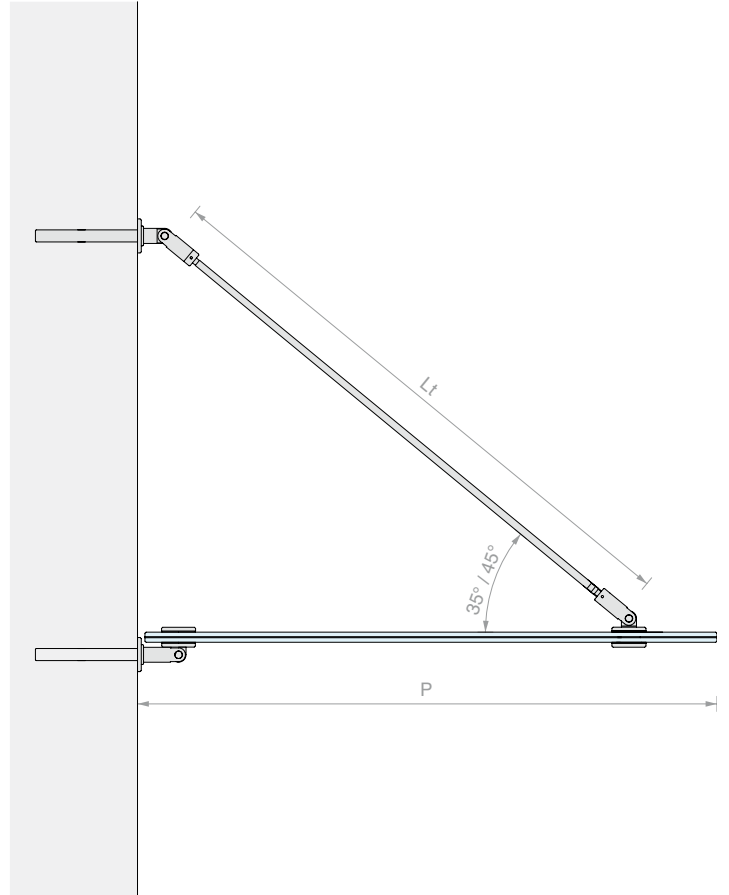
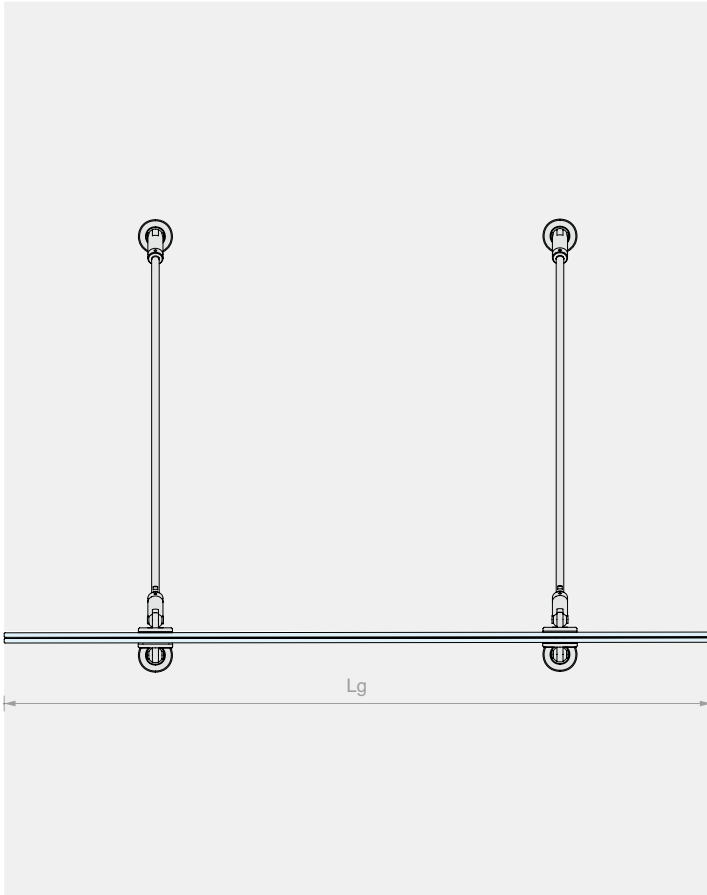
CANOPY LIGHT KIT

WITH 2 TIE RODS AND WALL CONNECTORS

Material: AISI 316L stainless steel

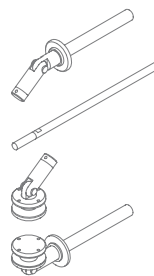
Finish: /9

The kit includes the tie rod cut-to-measure



Kit comprising:

| Art. | Description | Qty |
|--------------|------------------------|-------|
| GCL21 | Articulated wall joint | 2 Pcs |
| GCL23 | Tie rod | 2 Pcs |
| GCL15 | Glass fixing | 2 Pcs |
| GCL19 | Wall/glass fixing | 2 Pcs |



| Art. | For glass | Qty |
|---------------------|----------------------|------|
| CL-CAV15KIT2 | From 11.5 to 17.5 mm | 1 Pc |

The Canopy Light system allows for configurations with additional tie rods.
For information, please contact our Customer Care department



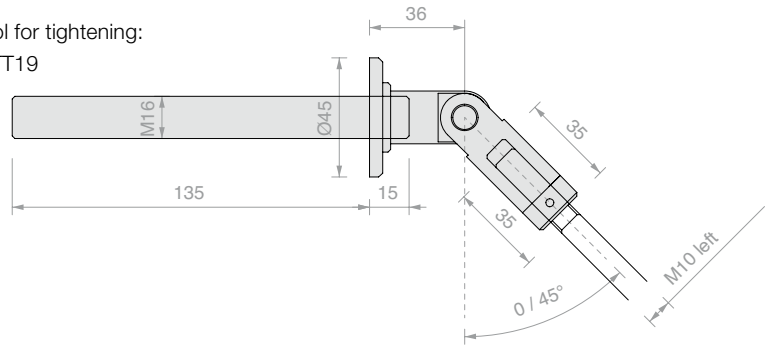
ARTICULATED WALL JOINT FOR TIE ROD

Material: AISI 316L stainless steel

Finish: /9

Recommended tool for tightening:

Art. UT250/CHSETT19



Art.

GCL21

Qty

1 Pc



GLASS FIXING FOR TIE ROD

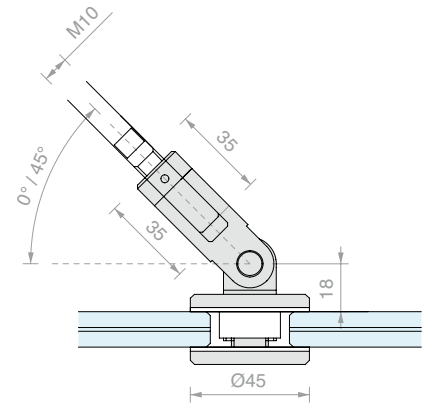
Material: AISI 316L stainless steel

Recommended glass hole size Ø30 mm

Finish: /9

Recommended tool for tightening:

Art. UT300/CHSETT19



Art.

GCL15

For glass

From 11.5 to 17.5 mm

Qty

1 Pc

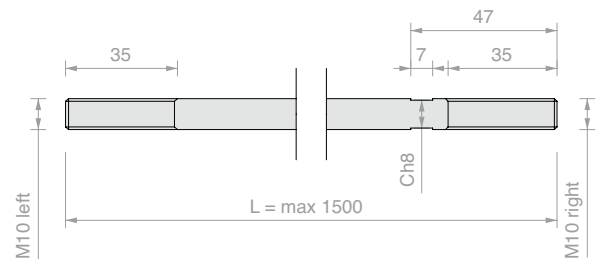


TIE ROD

Material: AISI 316L stainless steel

Finish: /8

Note: threaded on each end M10 left and M10 right



Art.

GCL23

Qty

1 Pc



WALL/GLASS FIXING

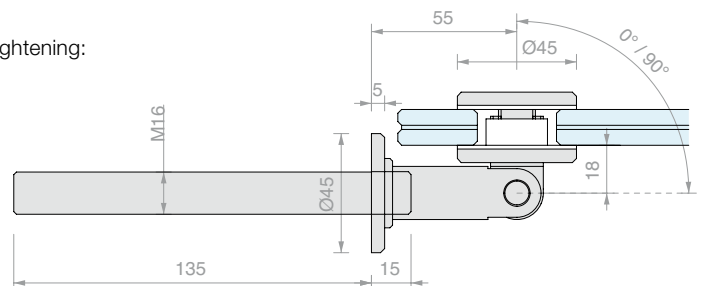
Material: AISI 316L stainless steel

Recommended glass hole size Ø30 mm

Finish: /9

Recommended tool for tightening:

Art. UT300



Art.

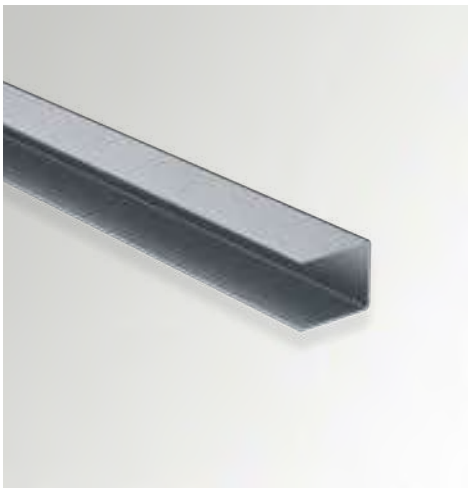
GCL19

For glass

From 11.5 to 17.5 mm

Qty

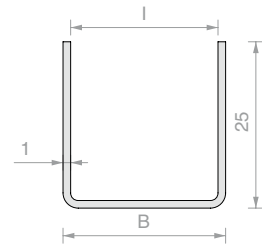
1 Pc



WALL PROFILE

Material: AISI 316L stainless steel

Finish: /8



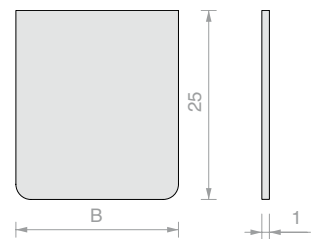
| Art. | Length | B | I | For glass | Qty |
|----------------------|---------|---------|---------|-----------|------|
| CANAL2513.150 | 1500 mm | 15.5 mm | 13.5 mm | 11.5 mm | 1 Pc |
| CANAL2515.150 | 1500 mm | 17.5 mm | 15.5 mm | 13.5 mm | 1 Pc |
| CANAL2519.150 | 1500 mm | 21.5 mm | 19.5 mm | 17.5 mm | 1 Pc |
| CANAL2513.200 | 2000 mm | 15.5 mm | 13.5 mm | 11.5 mm | 1 Pc |
| CANAL2515.200 | 2000 mm | 17.5 mm | 15.5 mm | 13.5 mm | 1 Pc |
| CANAL2519.200 | 2000 mm | 21.5 mm | 19.5 mm | 17.5 mm | 1 Pc |



FINISHING CAP FOR CANAL25

Material: AISI 316L stainless steel

Finish: /8



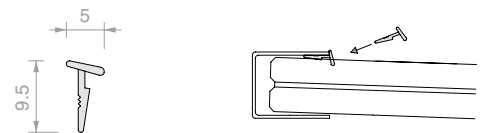
| Art. | B | Qty |
|--------------------|---------|------|
| CANAL2513TP | 15.5 mm | 1 Pc |
| CANAL2515TP | 17.5 mm | 1 Pc |
| CANAL2519TP | 21.5 mm | 1 Pc |



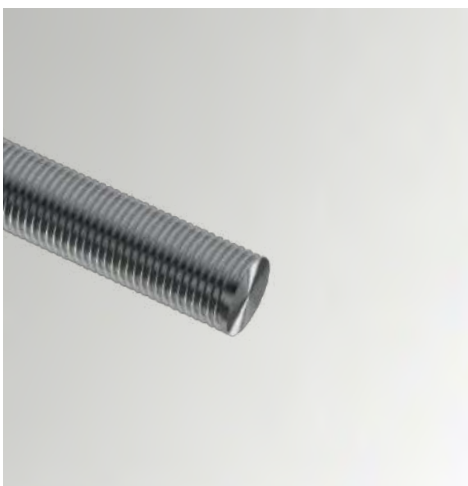
GASKET FOR PROFILES

Material: Co-extruded PVC

Colour: transparent

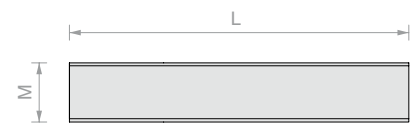


| Art. | Description | Qty |
|--------------------|-------------|------|
| PROALUXG | - | 1 m |
| PROALUXG400 | 400 m roll | 1 Pc |



CUSTOMIZED THREADED ROD

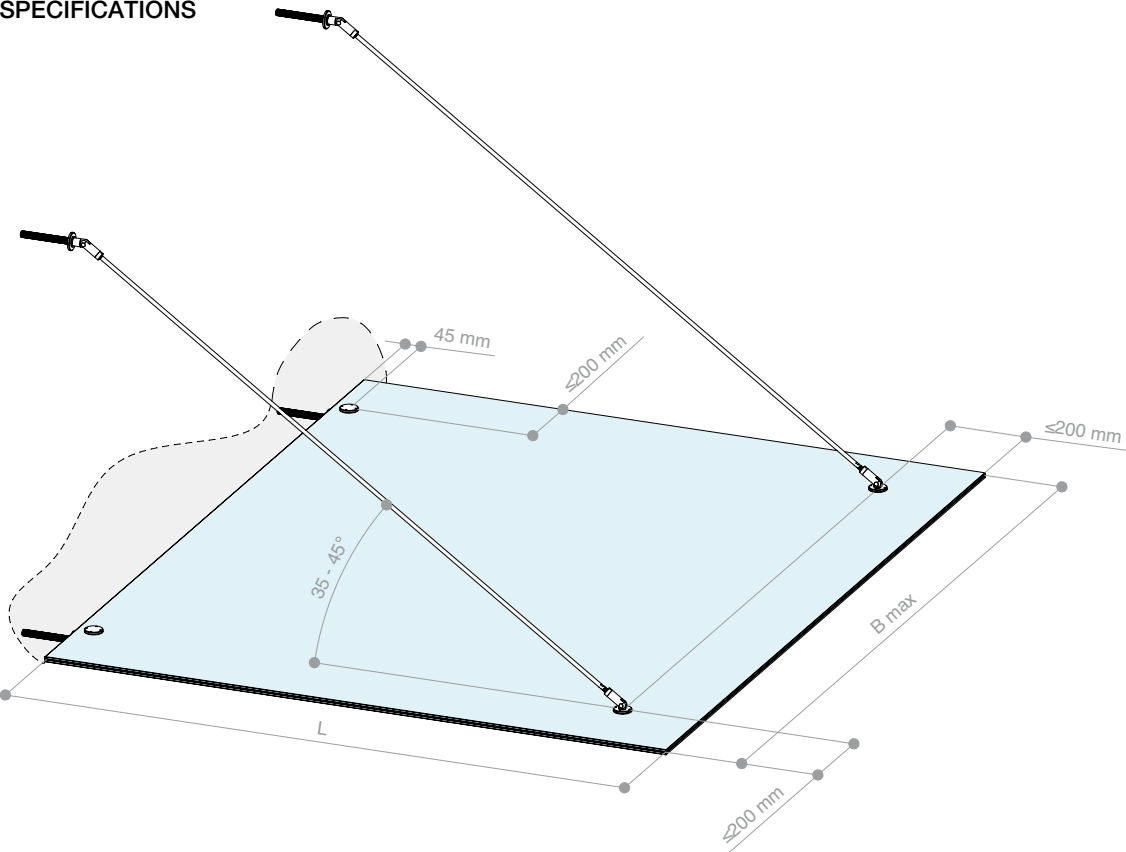
Material: AISI 316L stainless steel



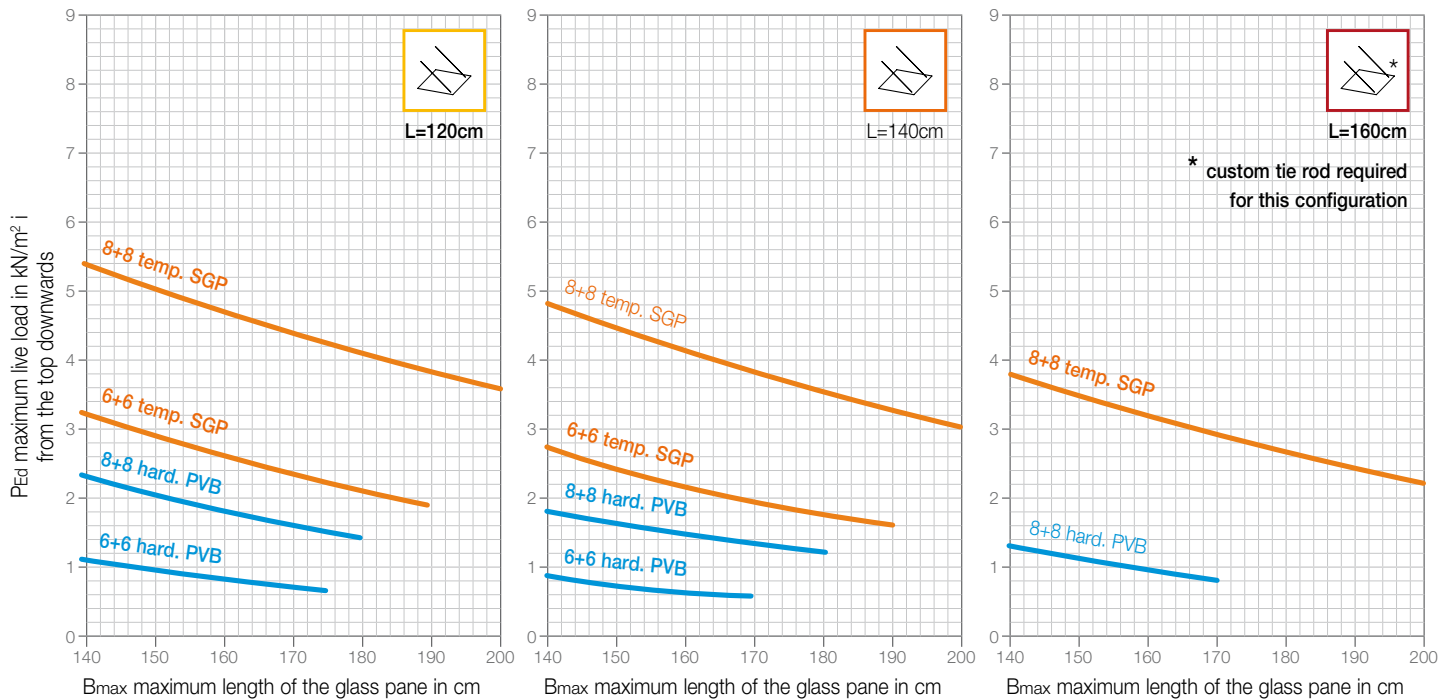
| Art. | L | M | Qty |
|---------------------|-----------|---------|------|
| BARRAFIL-MIS | ≤ 1000 mm | M16/M22 | 1 Pc |



TECHNICAL SPECIFICATIONS



PERFORMANCE - SIZING FOR SNOW LOAD

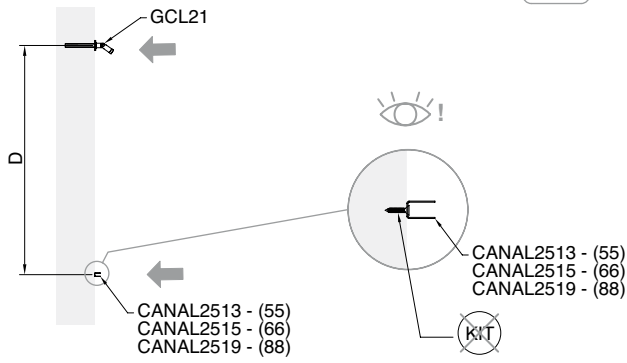


The maximum design load P_{Ed} refers to the sum of all variable loads acting downwards, including the associated safety and combination coefficients. The weight of the glass pane itself is always taken into account and does not need to be added. The data shown for the point fixings of the wall side pane can be considered in relation to wall fixing via a continuous profile, fitted using structural silicone. The results are shown for hardened laminated glass EN 1863, double layer with PVB 1.52 mm interlayer or tempered EN 12150-1 double layer with SentryGlas® rigid 1.52 mm interlayer. The configurations of the glass and the interlayers are provided by way of example and are not exhaustive of all installation possibilities: indeed, there are numerous alternative solutions known and in use on the market which have equal or potentially better performance levels in a wide range of important technical aspects (e.g. resistance to de-lamination, post-rupture behaviour, stability versus temperature variations, etc.).

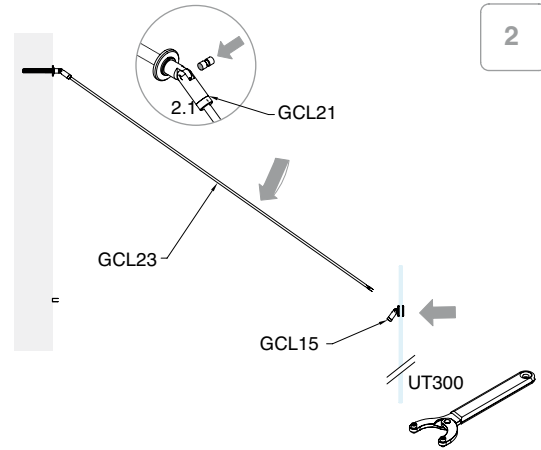
Note: the final assessment of the compliance of the system with the safety requirements remains a matter for the qualified engineer to assess, who will be able to verify the applicability of the data provided for the actual installation conditions, the conformity of the system for fastening to the load-bearing structure and the system's compliance with global safety requirements and those specific to the installation site (loads, support properties, exceptional loads, etc.). Detailed information about the design of the system is available online on our website or can be requested by contacting the Logli Saint-Gobain customer care technical department.

CL-SNOD156KIT2
CL-SNOD158KIT2

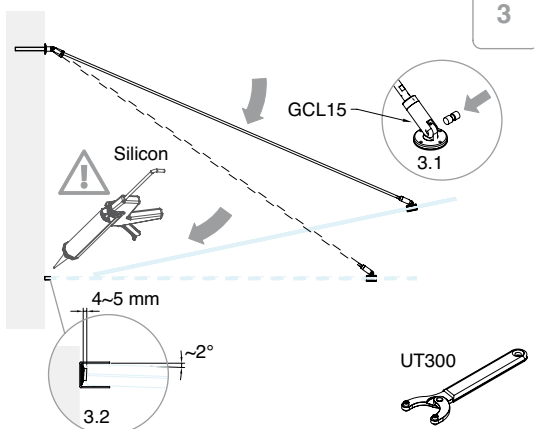
1



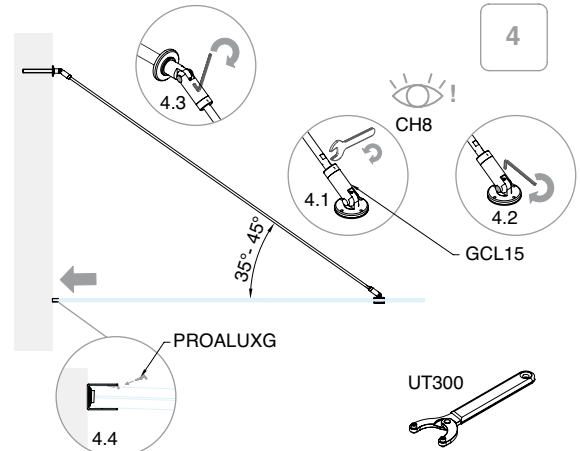
2



3

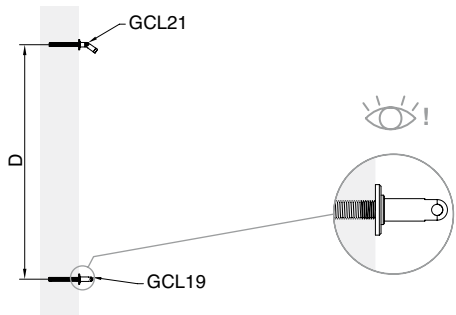


4

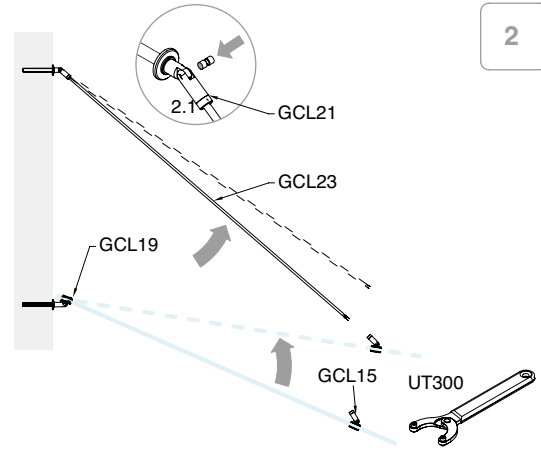


CL-CAV15KIT2

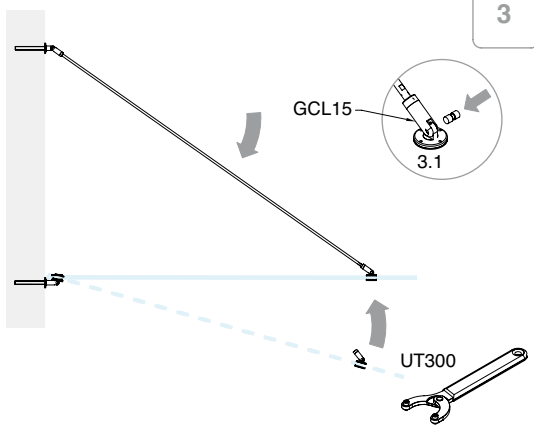
1



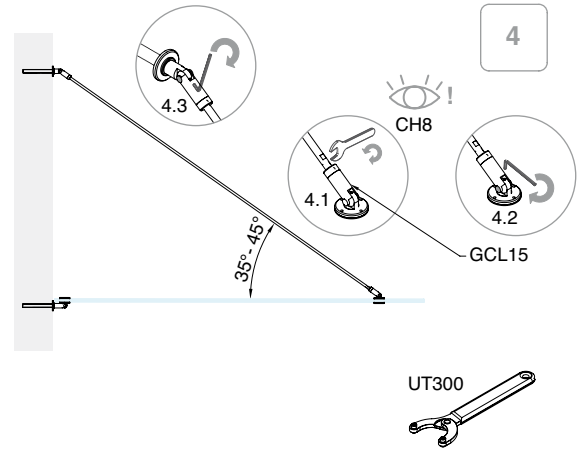
2



3



4



Glass Canopy

Sophisticated dwelling

With its timeless style and impact, Glass Canopy blends splendour and refinement in a system which has been created to meet all design needs, even the most complex ones.







GLASS CANOPY KIT

WITH 2 TIE RODS AND WALL PROFILE

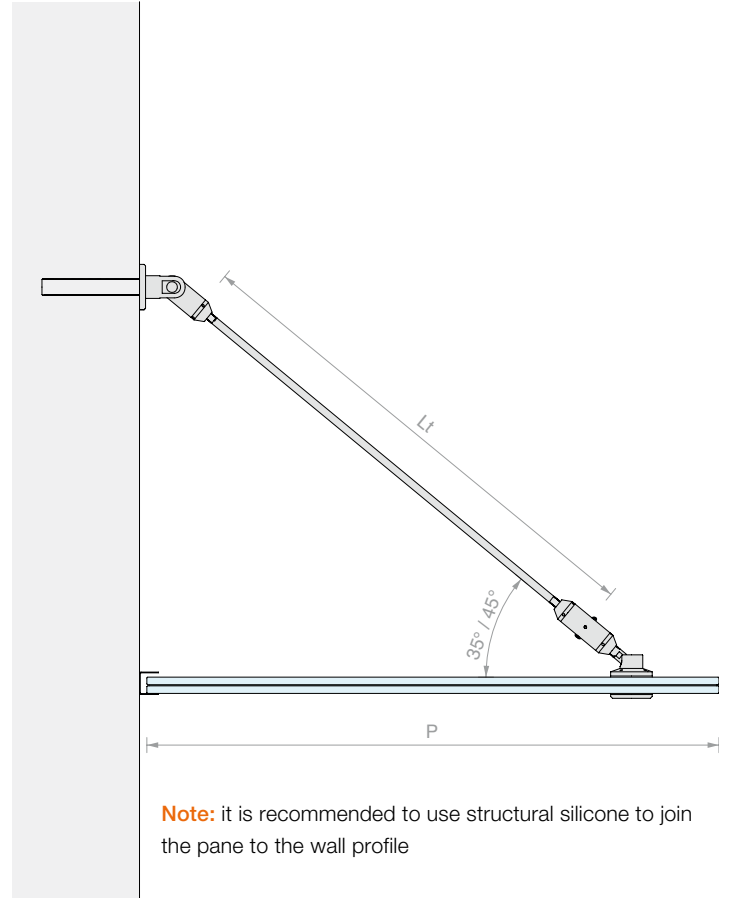
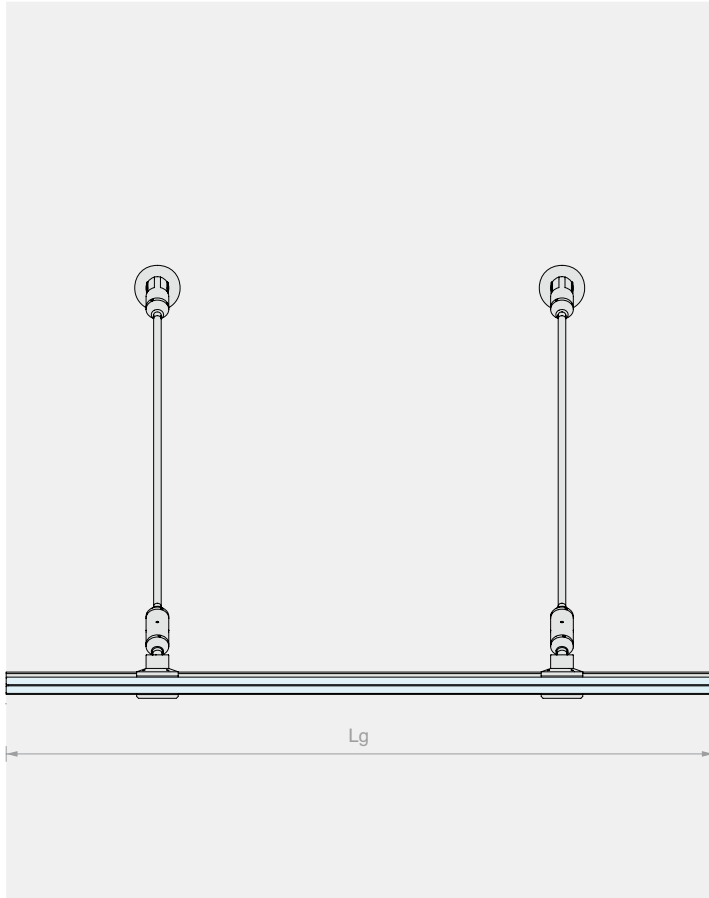
Material: AISI 316L stainless steel

Finish: /9

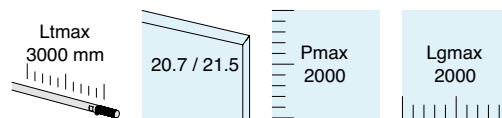
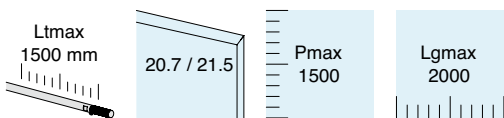
The kit includes the tie rod cut-to-measure

The Glass Canopy system allows for configurations with additional tie rods.

For information, please contact our Customer Care department



Note: it is recommended to use structural silicone to join the pane to the wall profile



Kit comprising:

| Art. | Description | Qty |
|--------------------|------------------------|-------|
| GC-SNOD143 | Articulated wall joint | 2 Pcs |
| GC-CAV100 | Tie rod | 2 Pcs |
| GC-ROT145 | 45° rotule joint | 2 Pcs |
| GC-TEND130 | Tensioner | 2 Pcs |
| CANAL2523 | Wall profile | 1 Pc |
| CANAL2523TP | Caps for wall profile | 2 Pcs |
| PROALUXG | Seal for profiles | 2 m |

Kit comprising:

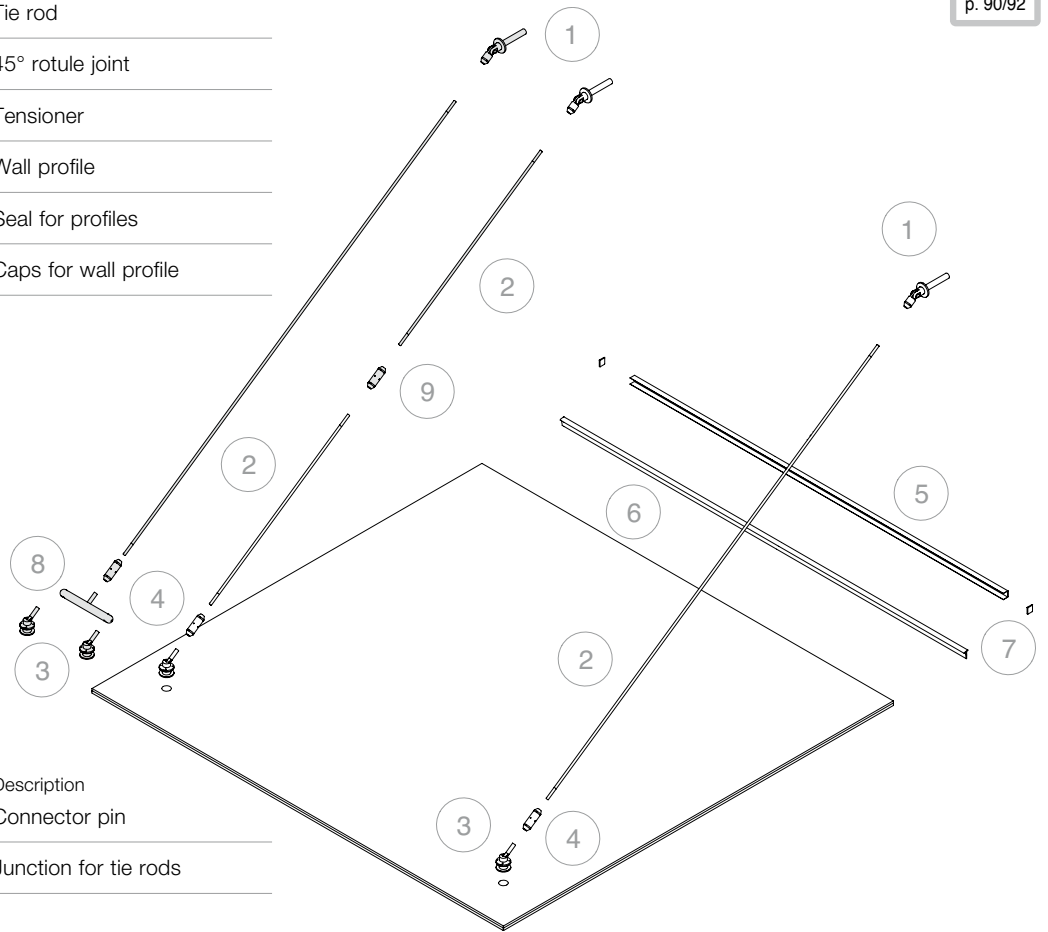
| Art. | Description | Qty |
|--------------------|------------------------|-------|
| GC-SNOD143 | Articulated wall joint | 2 Pcs |
| GC-CAV300 | Tie rod | 2 Pcs |
| GC-ROT145 | 45° rotule joint | 2 Pcs |
| GC-TEND130 | Tensioner | 2 Pcs |
| CANAL2523 | Wall profile | 1 Pc |
| CANAL2523TP | Caps for wall profile | 2 Pcs |
| PROALUXG | Seal for profiles | 2 m |

| Art. | For glass | Qty |
|------------------------|----------------------|------|
| GC-SNOD1510KIT2 | From 20.7 to 21.5 mm | 1 Pc |

| Art. | For glass | Qty |
|------------------------|----------------------|------|
| GC-SNOD3010KIT2 | From 20.7 to 21.5 mm | 1 Pc |

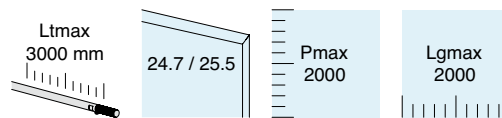
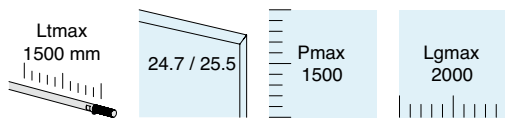


| No. | Art. | Description |
|-----|--------------------------------|------------------------|
| 1 | GC-SNOD143 | Articulated wall joint |
| 2 | GC-CAV100/GC-CAV300 | Tie rod |
| 3 | GC-ROT145 | 45° rotule joint |
| 4 | GC-TEND130 | Tensioner |
| 5 | CANAL2523/CANAL2527 | Wall profile |
| 6 | PROALUXG | Seal for profiles |
| 7 | CANAL2523TP/CANAL2527TP | Caps for wall profile |



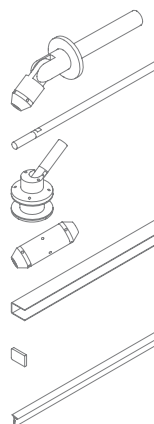
Optional:

| No. | Art. | Description |
|-----|-------------------|-----------------------|
| 8 | GC-PERN270 | Connector pin |
| 9 | GC-GZT130 | Junction for tie rods |



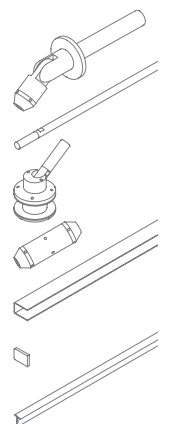
Kit comprising:

| Art. | Description | Qty |
|--------------------|------------------------|-------|
| GC-SNOD143 | Articulated wall joint | 2 Pcs |
| GC-CAV100 | Tie rod | 2 Pcs |
| GC-ROT145 | 45° rotule joint | 2 Pcs |
| GC-TEND130 | Tensioner | 2 Pcs |
| CANAL2527 | Wall profile | 1 Pc |
| CANAL2527TP | Caps for wall profile | 2 Pcs |
| PROALUXG | Seal for profiles | 2 m |



Kit comprising:

| Art. | Description | Qty |
|--------------------|------------------------|-------|
| GC-SNOD143 | Articulated wall joint | 2 Pcs |
| GC-CAV300 | Tie rod | 2 Pcs |
| GC-ROT145 | 45° rotule joint | 2 Pcs |
| GC-TEND130 | Tensioner | 2 Pcs |
| CANAL2527 | Wall profile | 1 Pc |
| CANAL2527TP | Caps for wall profile | 2 Pcs |
| PROALUXG | Seal for profiles | 2 m |



| Art. | For glass | Qty |
|------------------------|----------------------|------|
| GC-SNOD1512KIT2 | From 24.7 to 25.5 mm | 1 Pc |

| Art. | For glass | Qty |
|------------------------|----------------------|------|
| GC-SNOD3012KIT2 | From 24.7 to 25.5 mm | 1 Pc |

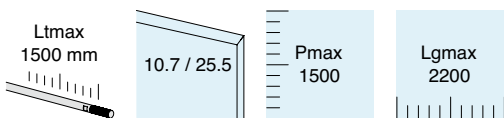
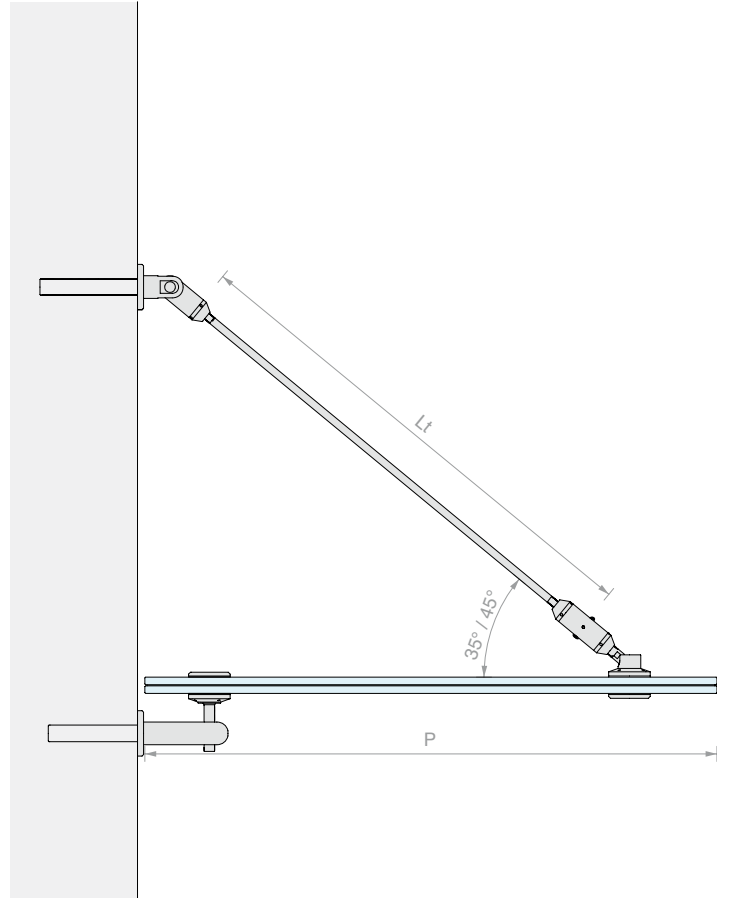
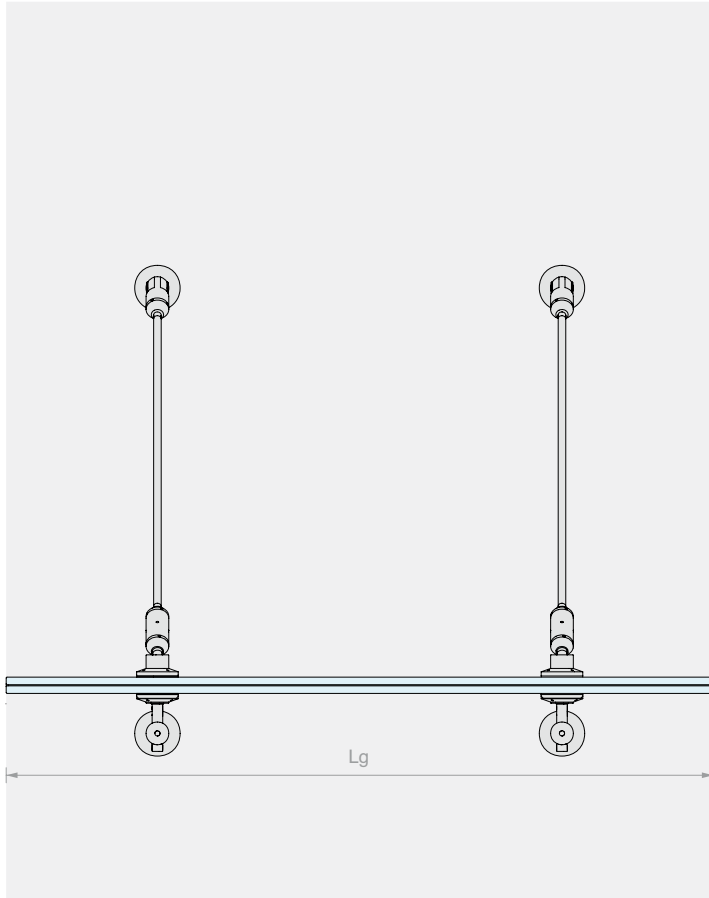
**GLASS CANOPY KIT**

WITH 2 TIE RODS AND WALL CONNECTORS

Material: AISI 316L stainless steel

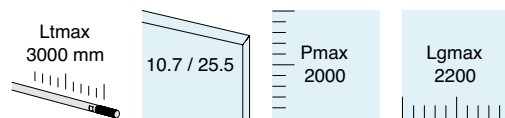
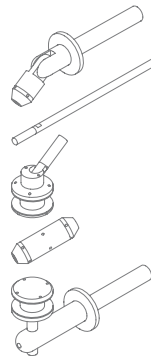
Finish: /9

The kit includes the tie rod cut-to-measure



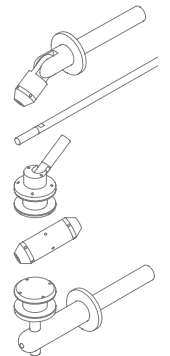
Kit comprising:

| Art. | Description | Qty |
|---------------------|------------------------|-------|
| GC-SNOD143 | Articulated wall joint | 2 Pcs |
| GC-CAV100 | Tie rod | 2 Pcs |
| GC-ROT145 | 45° rotule joint | 2 Pcs |
| GC-TEND130 | Tensioner | 2 Pcs |
| GC-PEROUT162 | Wall/glass fixing | 2 Pcs |



Kit comprising:

| Art. | Description | Qty |
|---------------------|------------------------|-------|
| GC-SNOD143 | Articulated wall joint | 2 Pcs |
| GC-CAV300 | Tie rod | 2 Pcs |
| GC-ROT145 | 45° rotule joint | 2 Pcs |
| GC-TEND130 | Tensioner | 2 Pcs |
| GC-PEROUT162 | Wall/glass fixing | 2 Pcs |

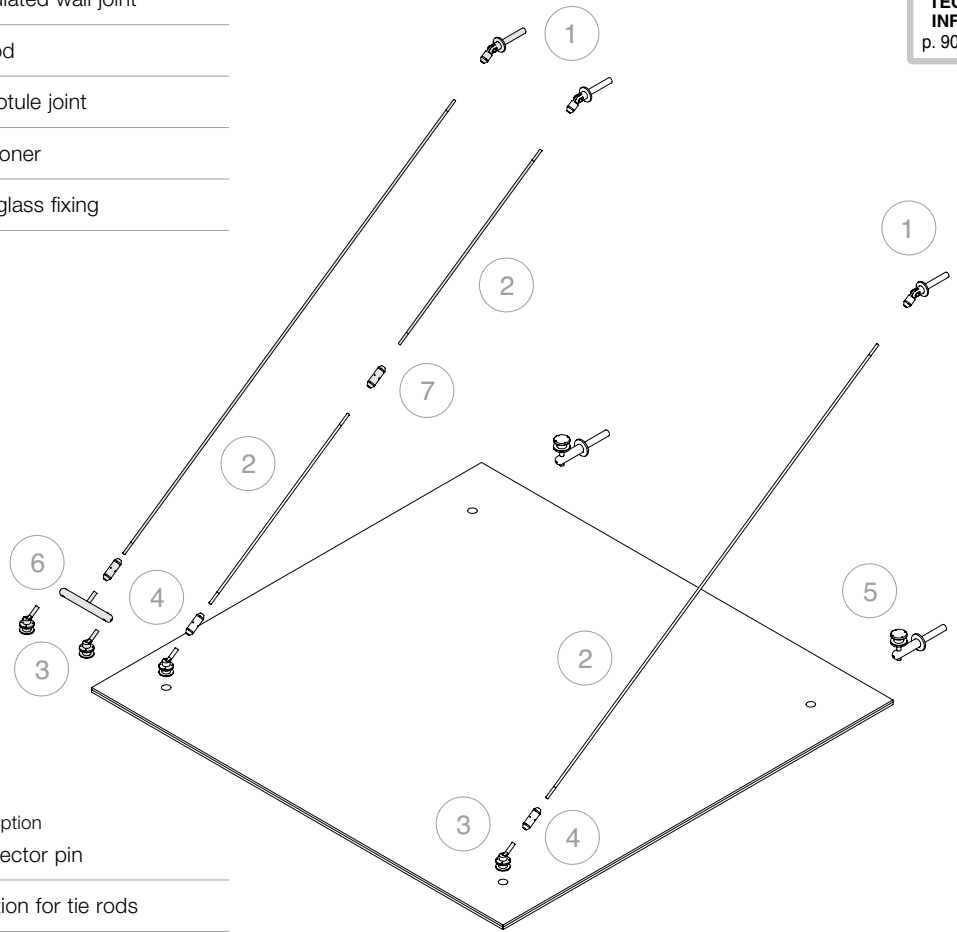


| Art. | For glass | Qty |
|---------------------|----------------------|------|
| GC-CAV15KIT2 | From 10.7 to 25.5 mm | 1 Pc |

| Art. | For glass | Qty |
|---------------------|----------------------|------|
| GC-CAV30KIT2 | From 10.7 to 25.5 mm | 1 Pc |



| No. | Art. | Description |
|-----|----------------------------|------------------------|
| 1 | GC-SNOD143 | Articulated wall joint |
| 2 | GC-CAV100/GC-CAV300 | Tie rod |
| 3 | GC-ROT145 | 45° rotule joint |
| 4 | GC-TEND130 | Tensioner |
| 5 | GC-PEROUT162 | Wall/glass fixing |



Optional:

| No. | Art. | Description |
|-----|-------------------|-----------------------|
| 6 | GC-PERN270 | Connector pin |
| 7 | GC-GZT130 | Junction for tie rods |

The Glass Canopy system allows for configurations with additional tie rods. For information, please contact our Customer Care department



GLASS CANOPY KIT

WITH 3 TIE RODS AND WALL PROFILE

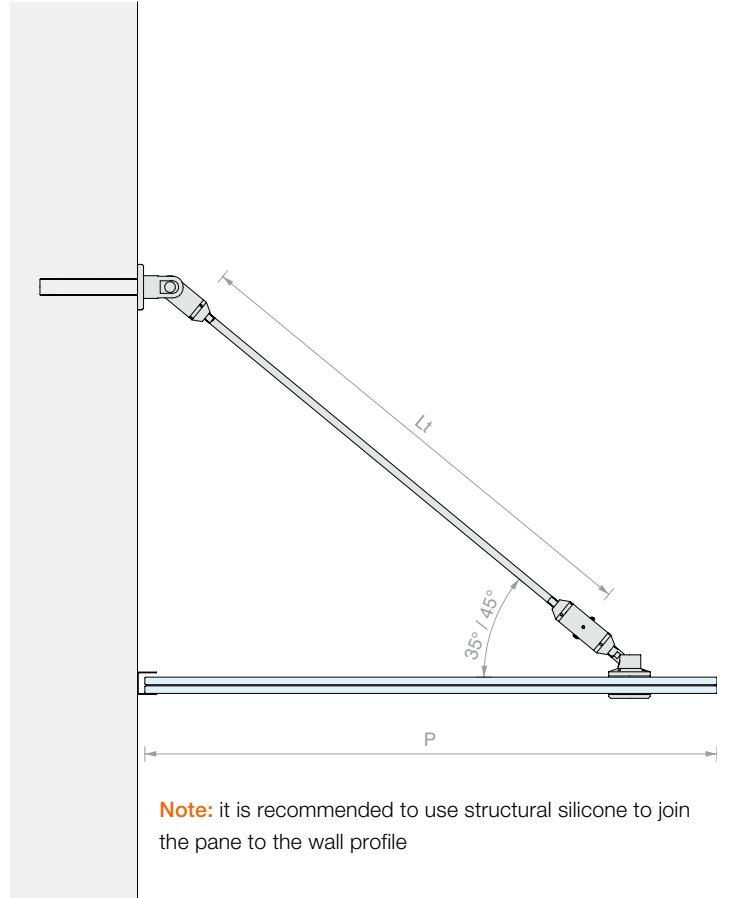
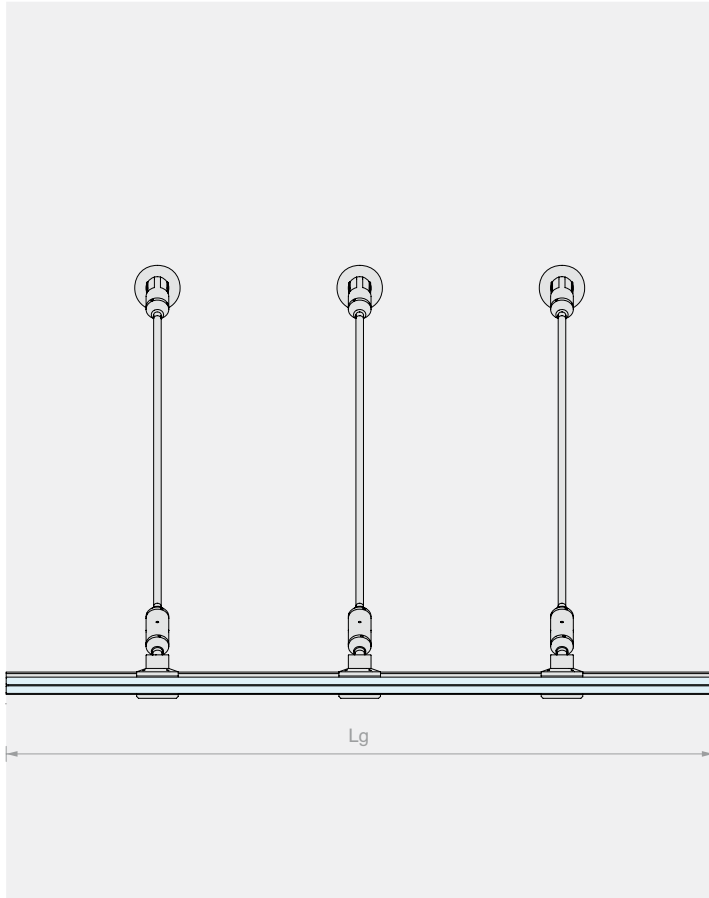
Material: AISI 316L stainless steel

Finish: /9

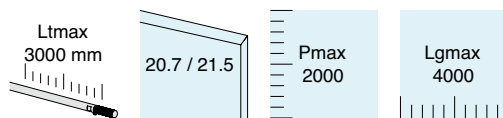
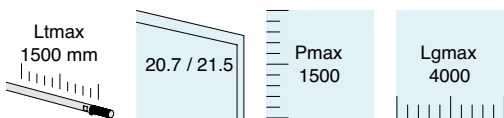
The kit includes the tie rod cut-to-measure

The Glass Canopy system allows for configurations with additional tie rods.

For information, please contact our Customer Care department



Note: it is recommended to use structural silicone to join the pane to the wall profile



Kit comprising:

| Art. | Description | Qty | |
|--------------------|------------------------|-------|--|
| GC-SNOD143 | Articulated wall joint | 3 Pcs | |
| GC-CAV100 | Tie rod | 3 Pcs | |
| GC-ROT145 | 45° rotule joint | 3 Pcs | |
| GC-TEND130 | Tensioner | 3 Pcs | |
| CANAL2523 | Wall profile | 2 Pcs | |
| CANAL2523TP | Caps for wall profile | 2 Pcs | |
| PROALUXG | Seal for profiles | 4 m | |

Kit comprising:

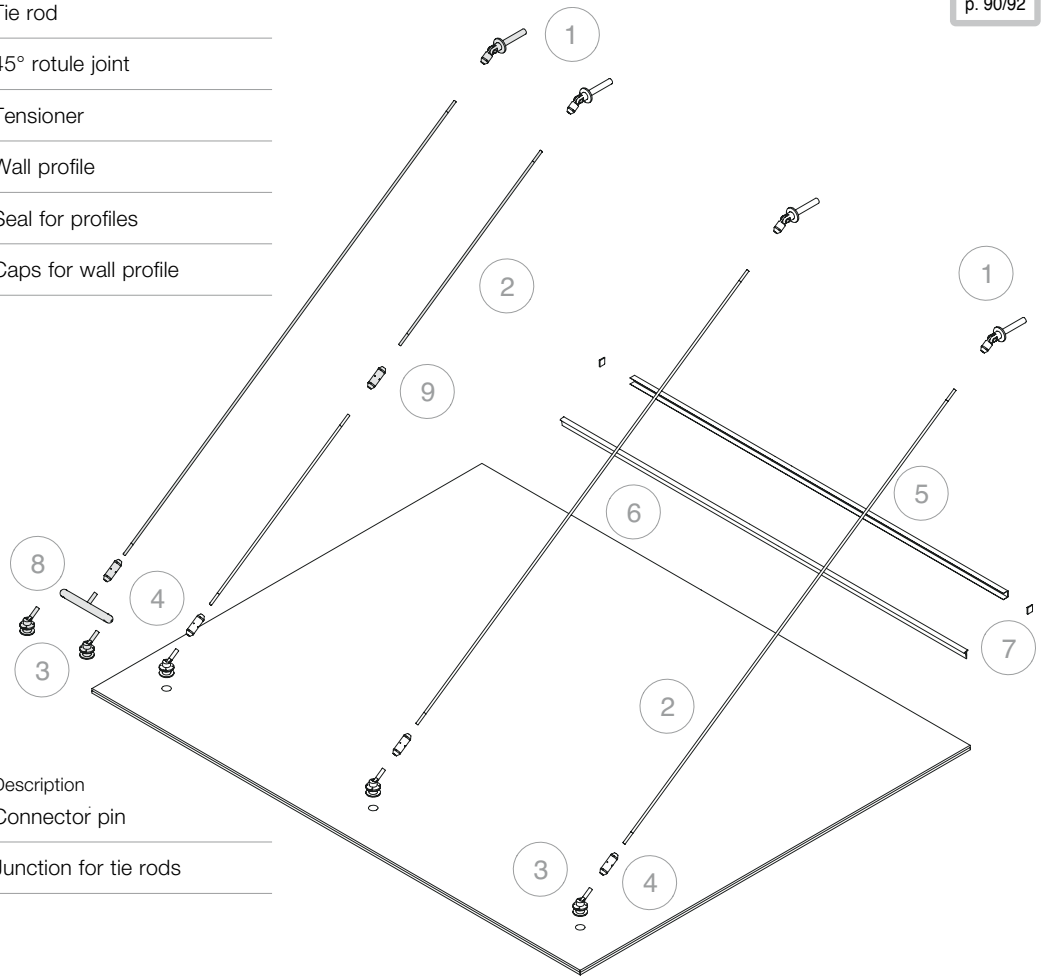
| Art. | Description | Qty | |
|--------------------|------------------------|-------|--|
| GC-SNOD143 | Articulated wall joint | 3 Pcs | |
| GC-CAV300 | Tie rod | 3 Pcs | |
| GC-ROT145 | 45° rotule joint | 3 Pcs | |
| GC-TEND130 | Tensioner | 3 Pcs | |
| CANAL2523 | Wall profile | 2 Pcs | |
| CANAL2523TP | Caps for wall profile | 2 Pcs | |
| PROALUXG | Seal for profiles | 4 m | |

| Art. | For glass | Qty |
|------------------------|----------------------|------|
| GC-SNOD1510KIT3 | From 20.7 to 21.5 mm | 1 Pc |

| Art. | For glass | Qty |
|------------------------|----------------------|------|
| GC-SNOD3010KIT3 | From 20.7 to 21.5 mm | 1 Pc |

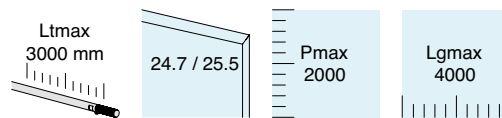
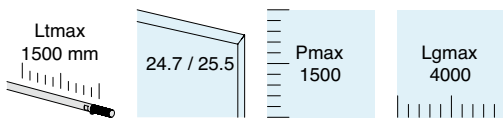


| No. | Art. | Description |
|-----|--------------------------------|------------------------|
| 1 | GC-SNOD143 | Articulated wall joint |
| 2 | GC-CAV100/GC-CAV300 | Tie rod |
| 3 | GC-ROT145 | 45° rotule joint |
| 4 | GC-TEND130 | Tensioner |
| 5 | CANAL2523/CANAL2527 | Wall profile |
| 6 | PROALUXG | Seal for profiles |
| 7 | CANAL2523TP/CANAL2527TP | Caps for wall profile |



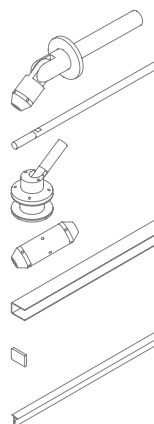
Optional:

| No. | Art. | Description |
|-----|-------------------|-----------------------|
| 8 | GC-PERN270 | Connector pin |
| 9 | GC-GZT130 | Junction for tie rods |



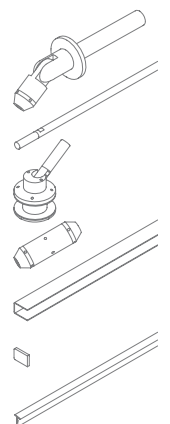
Kit comprising:

| Art. | Description | Qty |
|--------------------|------------------------|-------|
| GC-SNOD143 | Articulated wall joint | 3 Pcs |
| GC-CAV100 | Tie rod | 3 Pcs |
| GC-ROT145 | 45° rotule joint | 3 Pcs |
| GC-TEND130 | Tensioner | 3 Pcs |
| CANAL2527 | Wall profile | 2 Pcs |
| CANAL2527TP | Caps for wall profile | 2 Pcs |
| PROALUXG | Seal for profiles | 4 m |



Kit comprising:

| Art. | Description | Qty |
|--------------------|------------------------|-------|
| GC-SNOD143 | Articulated wall joint | 3 Pcs |
| GC-CAV300 | Tie rod | 3 Pcs |
| GC-ROT145 | 45° rotule joint | 3 Pcs |
| GC-TEND130 | Tensioner | 3 Pcs |
| CANAL2527 | Wall profile | 2 Pcs |
| CANAL2527TP | Caps for wall profile | 2 Pcs |
| PROALUXG | Seal for profiles | 4 m |



| Art. | For glass | Qty |
|------------------------|----------------------|------|
| GC-SNOD1512KIT3 | From 24.7 to 25.5 mm | 1 Pc |

| Art. | For glass | Qty |
|------------------------|----------------------|------|
| GC-SNOD3012KIT3 | From 24.7 to 25.5 mm | 1 Pc |



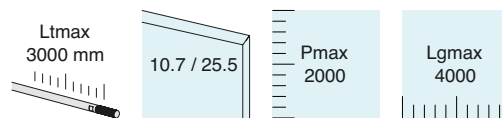
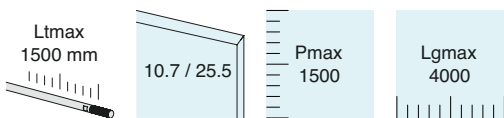
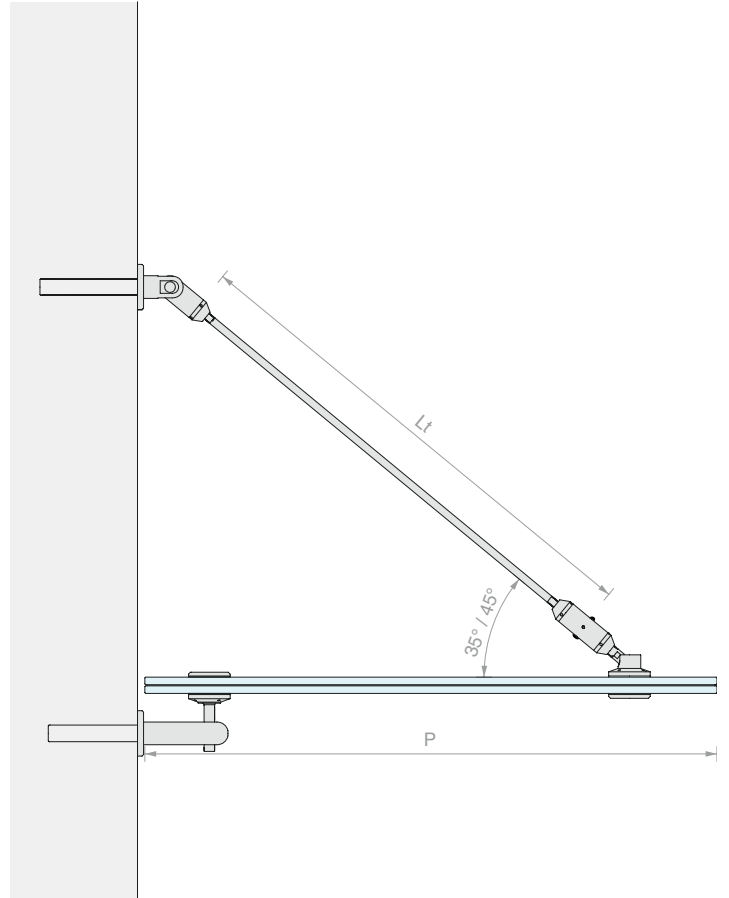
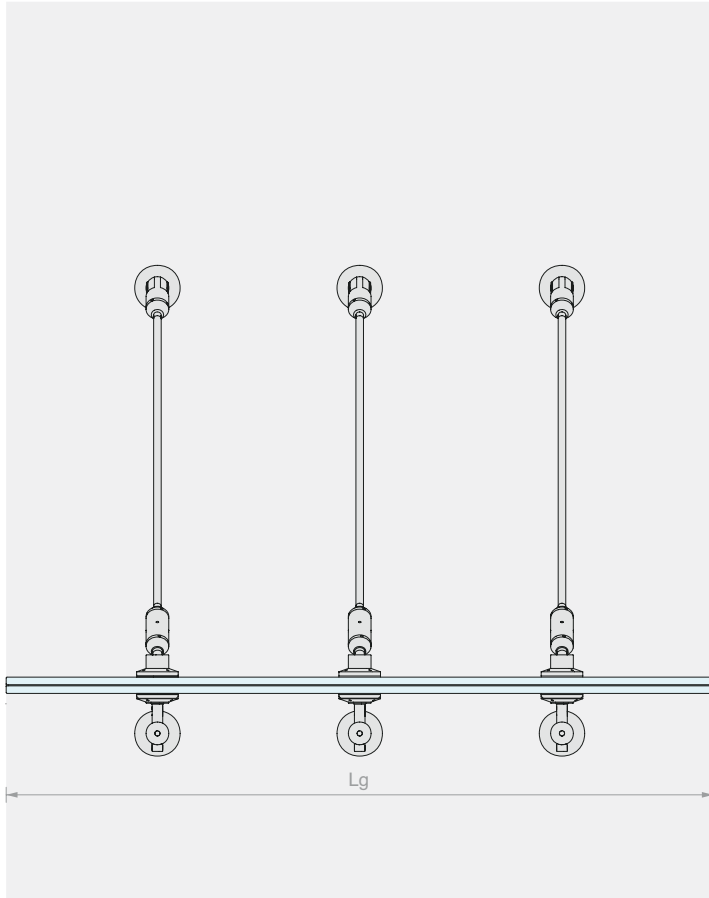
GLASS CANOPY KIT

WITH 3 TIE RODS AND WALL CONNECTORS

Material: AISI 316L stainless steel

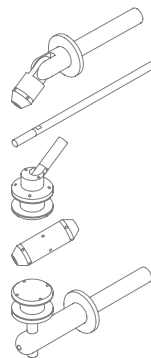
Finish: /9

The kit includes the tie rod cut-to-measure



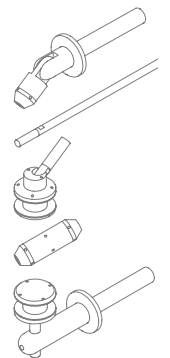
Kit comprising:

| Art. | Description | Qty |
|---------------------|------------------------|-------|
| GC-SNOD143 | Articulated wall joint | 3 Pcs |
| GC-CAV100 | Tie rod | 3 Pcs |
| GC-ROT145 | 45° rotule joint | 3 Pcs |
| GC-TEND130 | Tensioner | 3 Pcs |
| GC-PEROUT162 | Wall/glass fixing | 3 Pcs |



Kit comprising:

| Art. | Description | Qty |
|---------------------|------------------------|-------|
| GC-SNOD143 | Articulated wall joint | 3 Pcs |
| GC-CAV300 | Tie rod | 3 Pcs |
| GC-ROT145 | 45° rotule joint | 3 Pcs |
| GC-TEND130 | Tensioner | 3 Pcs |
| GC-PEROUT162 | Wall/glass fixing | 3 Pcs |

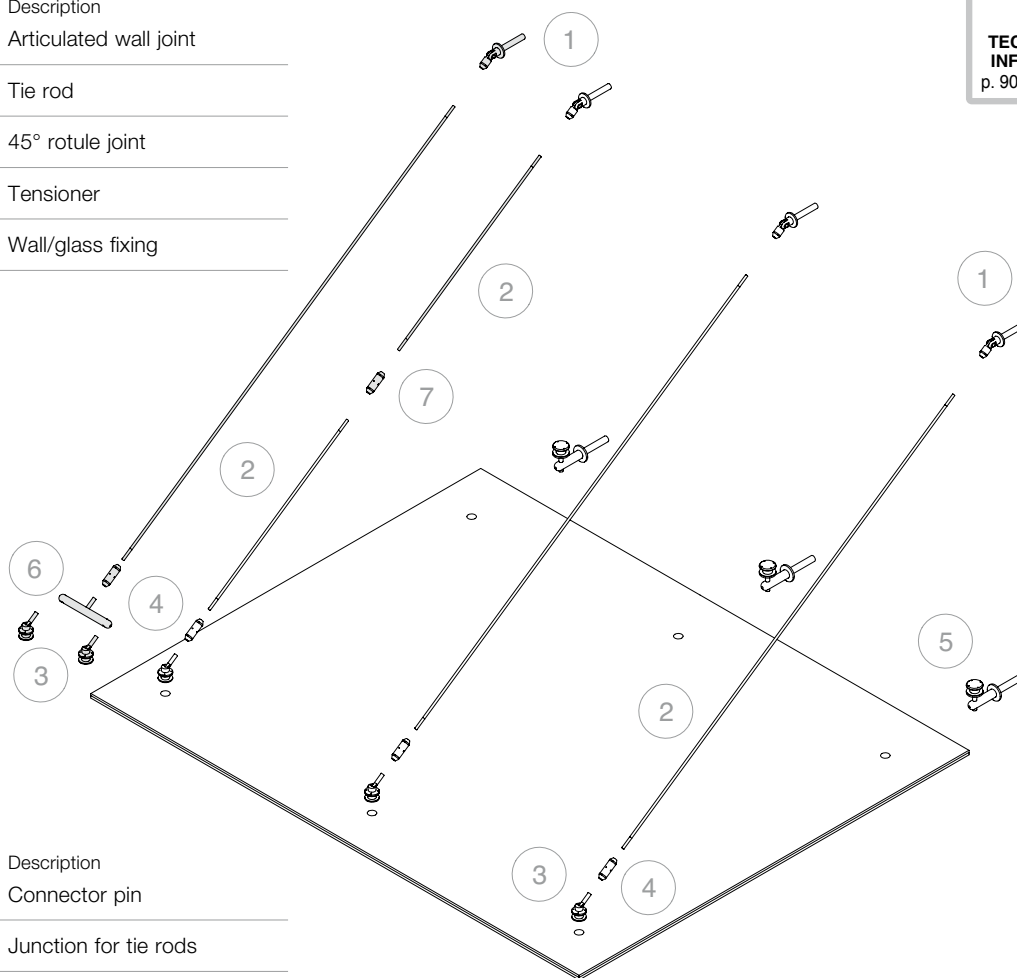


| Art. | For glass | Qty |
|---------------------|----------------------|------|
| GC-CAV15KIT3 | From 10.7 to 25.5 mm | 1 Pc |

| Art. | For glass | Qty |
|---------------------|----------------------|------|
| GC-CAV30KIT3 | From 10.7 to 25.5 mm | 1 Pc |



| No. | Art. | Description |
|-----|----------------------------|------------------------|
| 1 | GC-SNOD143 | Articulated wall joint |
| 2 | GC-CAV100/GC-CAV300 | Tie rod |
| 3 | GC-ROT145 | 45° rotule joint |
| 4 | GC-TEND130 | Tensioner |
| 5 | GC-PEROUT162 | Wall/glass fixing |



Optional:

| No. | Art. | Description |
|-----|-------------------|-----------------------|
| 6 | GC-PERN270 | Connector pin |
| 7 | GC-GZT130 | Junction for tie rods |

The Glass Canopy system allows for configurations with additional tie rods. For information, please contact our Customer Care department

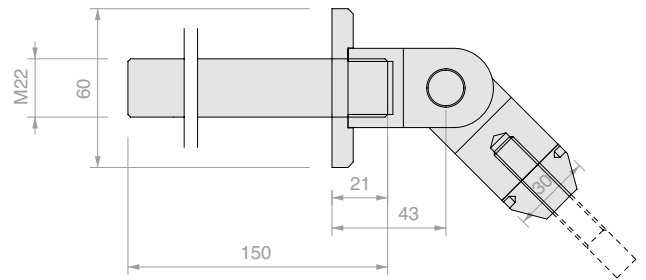
**ARTICULATED WALL JOINT FOR TIE ROD**

Material: AISI 316L stainless steel

Finish: /9

Recommended tool for tightening:

Art. CHSETT19



Art.

GC-SNOD143

Qty

1 Pc

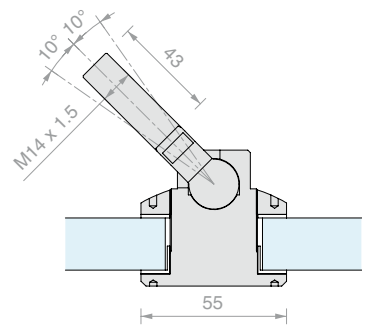
**ARTICULATED 45° ROTULE JOINT**

Material: AISI 316L stainless steel

Recommended glass hole size Ø36 mm

Finish: /9

Recommended tool for tightening: Art. UT300



Art.

GC-ROT145

For glass

From 10 to 25.5 mm

Qty

1 Pc

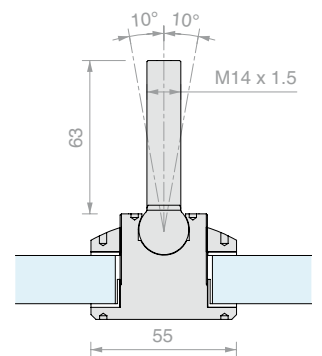
**ARTICULATED ROTULE JOINT**

Material: AISI 316L stainless steel

Recommended glass hole size Ø36 mm

Finish: /9

Recommended tool for tightening: Art. UT300



Art.

GC-ROT101

For glass

From 10 to 25.5 mm

Qty

1 Pc

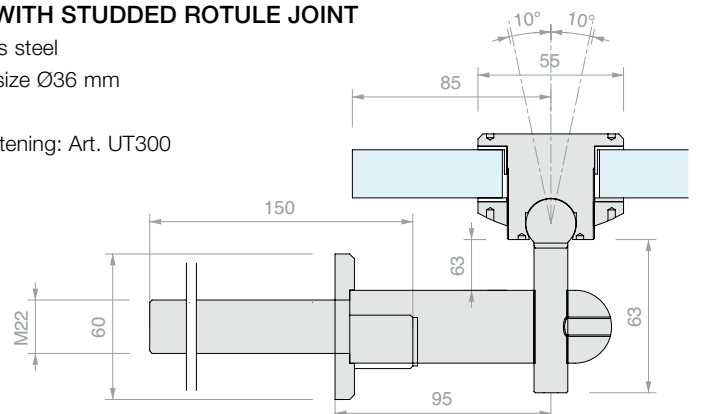
**WALL/GLASS FIXING WITH STUDED ROTULE JOINT**

Material: AISI 316L stainless steel

Recommended glass hole size Ø36 mm

Finish: /9

Recommended tool for tightening: Art. UT300



Art.

GC-PEROUT162

For glass

From 10 to 25.5 mm

Qty

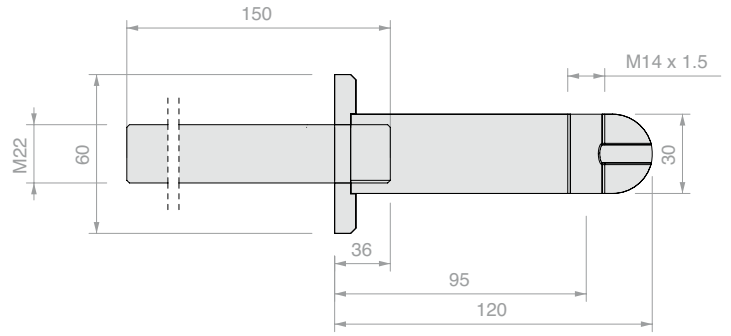
1 Pc



WALL CONNECTOR

Material: AISI 316L stainless steel

Finish: /9



| | | |
|-------------------|--|------|
| Art. | | Qty |
| GC-PERN120 | | 1 Pc |

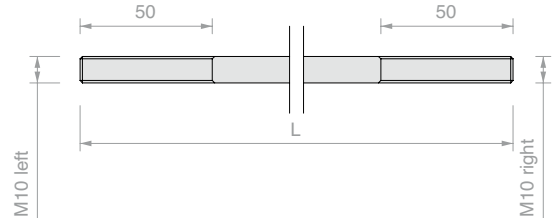


TIE ROD

Material: AISI 316L stainless steel

Finish: /9

To join tie rods longer than 3 metres use Art.: GC-GZT130



| | | |
|------------------|----------------------|------|
| Art. | L | Qty |
| GC-CAV100 | ≤ 1500 mm | 1 Pc |
| GC-CAV300 | From 1500 to 3000 mm | 1 Pc |



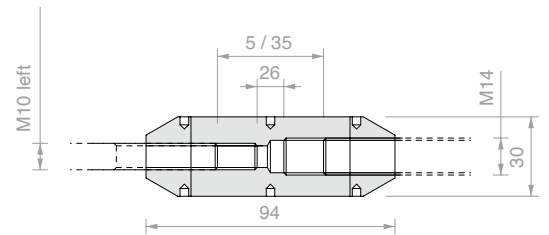
TENSIONER FOR TIE ROD

Material: AISI 316L stainless steel

Finish: /9

Recommended tool for tightening:

Art. CHSETT19



| | | |
|-------------------|--|------|
| Art. | | Qty |
| GC-TEND130 | | 1 Pc |



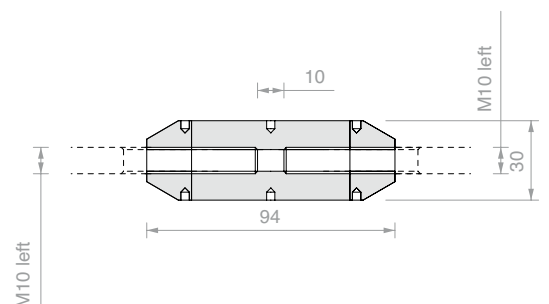
JUNCTION FOR TIE RODS

Material: AISI 316L stainless steel

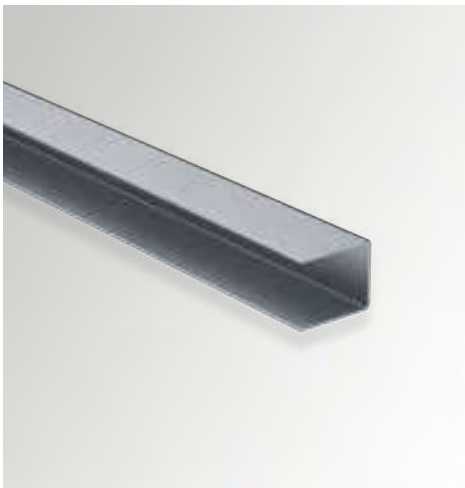
Finish: /9

Recommended tool for tightening:

Art. CHSETT19

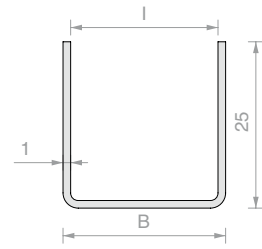


| | | |
|------------------|--|------|
| Art. | | Qty |
| GC-GZT130 | | 1 Pc |

**WALL PROFILE**

Material: AISI 316L stainless steel

Finish: /8

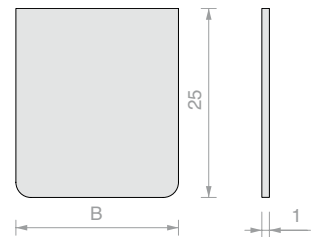


| Art. | Length | B | I | For glass | Qty |
|----------------------|---------|---------|---------|--------------|------|
| CANAL2523.150 | 1500 mm | 25.5 mm | 23.5 mm | 20.7/21.5 mm | 1 Pc |
| CANAL2527.150 | 1500 mm | 29.5 mm | 27.5 mm | 24.7/25.5 mm | 1 Pc |
| CANAL2523.200 | 2000 mm | 25.5 mm | 23.5 mm | 20.7/21.5 mm | 1 Pc |
| CANAL2527.200 | 2000 mm | 29.5 mm | 27.5 mm | 24.7/25.5 mm | 1 Pc |

**FINISHING CAP FOR CANAL25**

Material: AISI 316L stainless steel

Finish: /8

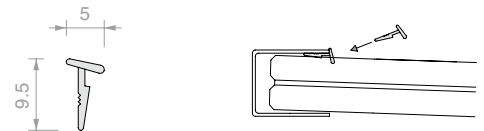


| Art. | B | Qty |
|--------------------|---------|------|
| CANAL2523TP | 25.5 mm | 1 Pc |
| CANAL2527TP | 29.5 mm | 1 Pc |

**SEAL FOR PROALUX PROFILES**

Material: Co-extruded PVC

Finish: Transparent



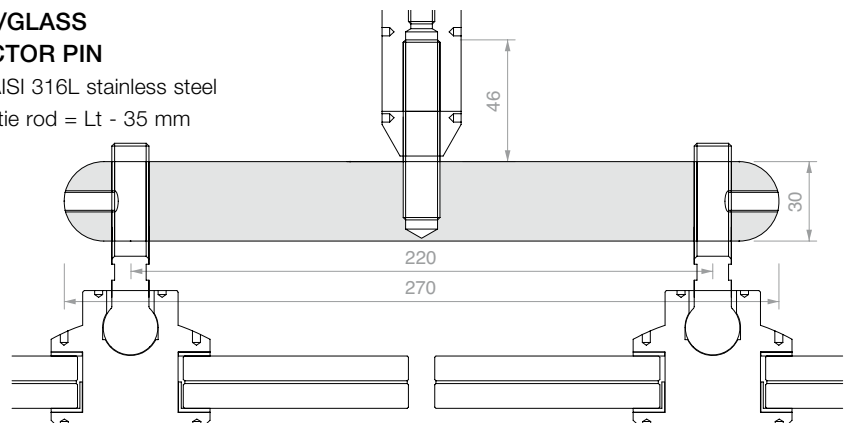
| Art. | Description | Qty |
|--------------------|-------------|------|
| PROALUXG | - | 1 m |
| PROALUXG400 | 400 m roll | 1 Pc |

**TIE ROD/GLASS CONNECTOR PIN**

Material: AISI 316L stainless steel

Length of tie rod = Lt - 35 mm

Finish: /9

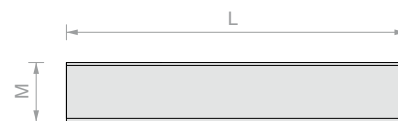


| Art. | Qty |
|-------------------|------|
| GC-PERN270 | 1 Pc |



CUSTOMIZED THREADED ROD

Material: AISI 316L stainless steel



| Art. | L | M | Qty |
|---------------------|----------|----------------|------|
| BARRAFIL-MIS | ≤1000 mm | M16/M22 | 1 Pc |



**PIN WRENCH
FOR Ø3/Ø2.5/Ø2 mm BLIND HOLES**

Material: iron body, steel pins

The compass opening allows to operate with wide radiuses, for pair of holes with a centre distance between 9 mm and 55 mm

| Art. | Description | Qty |
|----------------|-------------------------------------|------|
| UT300 | Pin wrench with Ø2.9 mm pins | 1 Pc |
| UTC300R | N.2 replacement pins Ø2.9 mm | 1 Pc |
| UT250 | Pin wrench with Ø2.4 mm pins | 1 Pc |
| UTC250R | N.2 replacement pins Ø2.4 mm | 1 Pc |
| UT200 | Pin wrench with Ø1.8 mm pins | 1 Pc |
| UTC200R | N.2 replacement pins Ø1.8 mm | 1 Pc |



HOOK WRENCH

Material: steel

Tool required for tightening all metal parts that have blind holes around their axis.

| Art. | Extension | Pin | For blind hole | Qty |
|-----------------|------------------|----------------|----------------|------|
| CHSETT19 | Ø19/50 mm | Ø2.8 mm | Ø3 mm | 1 Pc |
| CHSETT32 | Ø32/75 mm | Ø3.8 mm | Ø4 mm | 1 Pc |

**DW895****Sealant for structural glazing**

The Dow Corning® 895 silicon sealant is a one-part silicone for structural glazing. The cured product provides a high level of weatherproofing and high resistance to ultra-violet radiation, heat, and moisture. The high tensile strength means this product is ideally suited to structural bonding applications. Excellent mechanical properties.

Properties

- Meets new European standards for the application of structural sealants, developed by EOTA
- Excellent adhesion to a wide range of substrates, including coated, enamelled and reflective glass, polyester coated and anodized aluminium, and stainless steel profiles
- Neutral curing system, odourless and non-corrosive
- One-part product
- Resistant to ozone and extreme temperatures

Technical data:**Properties - As supplied**

| Properties - As supplied | Unit | Value |
|-------------------------------|---------|-------|
| Specific gravity | g/ml | 1.43 |
| Slump or flow | mm | 0 |
| Tack-free time (25°C, 50% UR) | minutes | 60 |
| Curing time (25°C, 50% UR) | | |
| After 24 hours | mm | 2.2 |
| After 72 hours | mm | 3.5 |

Cured - After 7 days at 25°C and 50% UR

| | | |
|--|--------|------|
| Hardness (Shore A) | points | 38 |
| Ultimate elongation | % | 600 |
| Tensile strength at 100% elongation | MPa | 0.7 |
| Tensile strength at maximum elongation | MPa | 2.85 |
| Tear strength | kN/m | 19 |

H-piece testing

| | | |
|-----------------------------|---------|------------------|
| Ultimate elongation | % | 260 |
| Tensile strength | MPa | 1.06 |
| Young modulus | MPa | 1.0 |
| Sealant dynamic design load | Pa | 140.000 |
| Sealant static design load | Pa | 7.000 |
| Operating temperature range | °C | from -50 to +150 |
| Workability time | minutes | 15 |



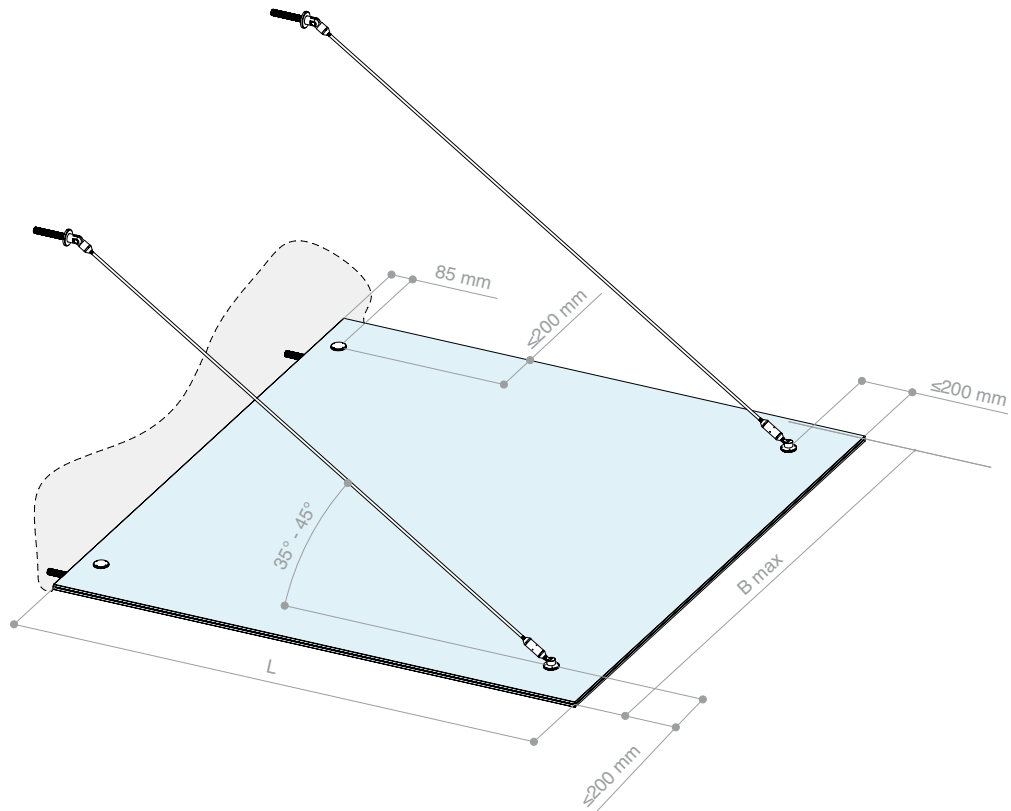
BLACK

| Art. | Package | Colour | Package | Qty |
|----------------|---------------|--------------|---------------|-------------|
| DW895NE | 310 ml | Black | 12 Pcs | 1 Pc |

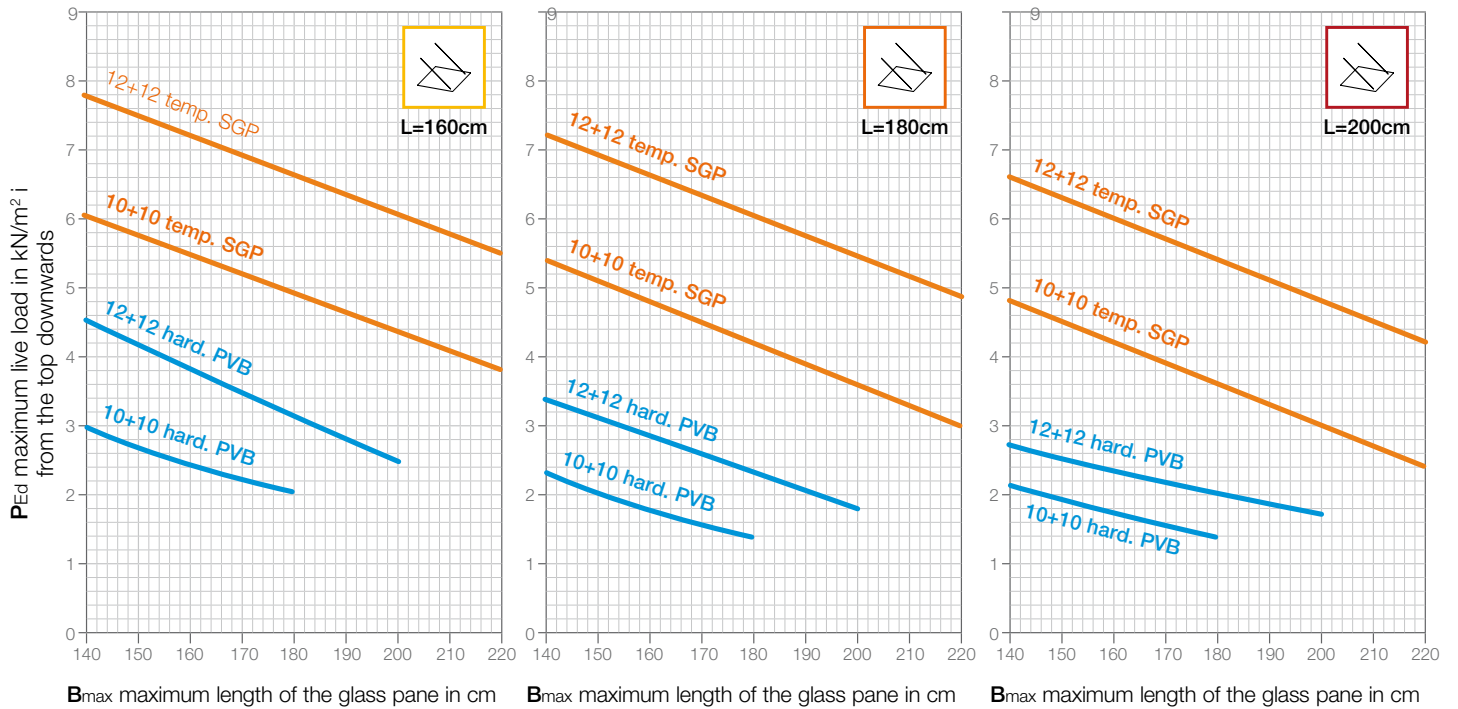




TECHNICAL SPECIFICATIONS



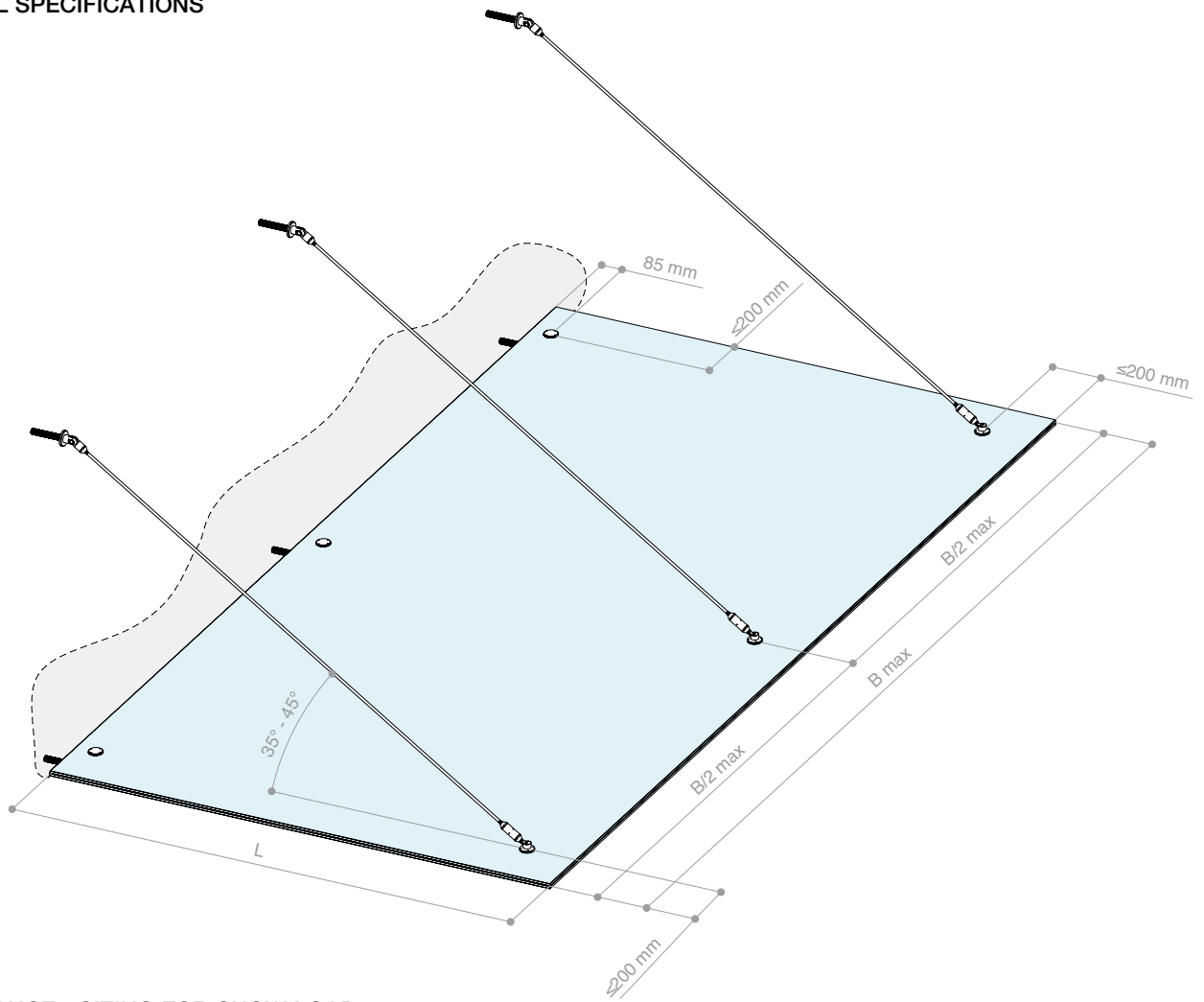
PERFORMANCE - SIZING FOR SNOW LOAD



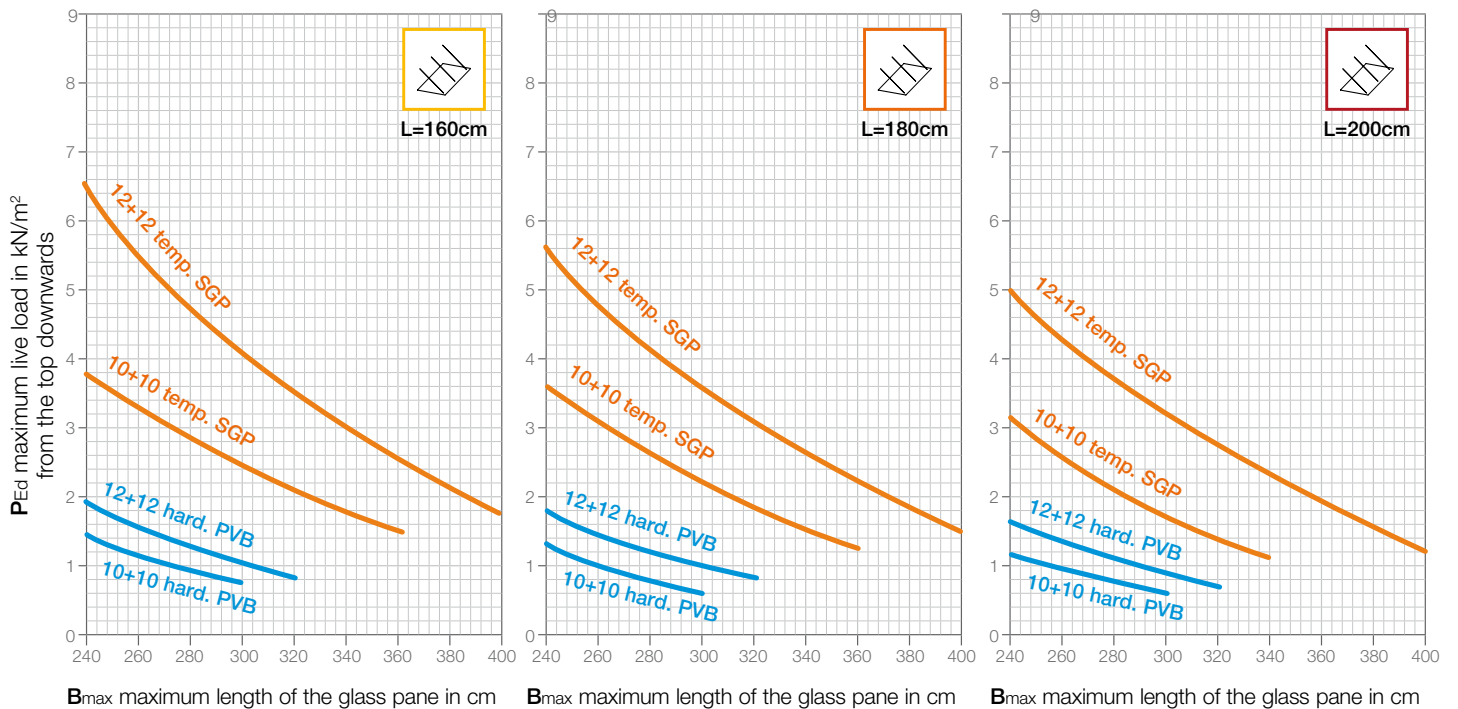
The maximum design load P_{Ed} refers to the sum of all variable loads acting downwards, including the associated safety and combination coefficients. The weight of the glass pane itself is always taken into account and does not need to be added. The data shown for the point fixings of the wall side pane can be considered in relation to wall fixing via a continuous profile, fitted using structural silicone. The configurations of the glass and the interlayers are provided by way of example and are not exhaustive of all installation possibilities: indeed, there are numerous alternative solutions known and in use on the market which have equal or potentially better performance levels in a wide range of important technical aspects (e.g. resistance to de-lamination, post-rupture behaviour, stability versus temperature variations, etc.).



TECHNICAL SPECIFICATIONS



PERFORMANCE - SIZING FOR SNOW LOAD



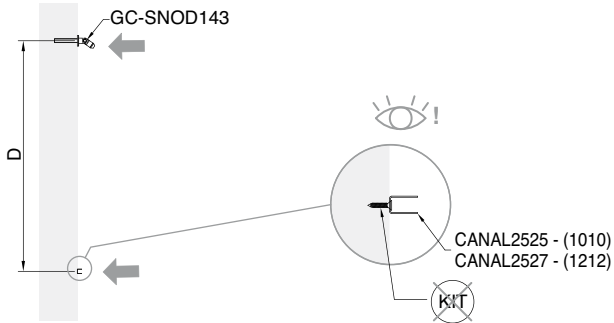
Note: the final assessment of the compliance of the system with the safety requirements remains a matter for the qualified engineer to assess, who will be able to verify the applicability of the data provided for the actual installation conditions, the conformity of the system for fastening to the load-bearing structure and the system's compliance with global safety requirements and those specific to the installation site (loads, support properties, exceptional loads, etc.). Detailed information about the design of the system is available online on our website or can be requested by contacting the Logli Saint-Gobain customer care technical department.



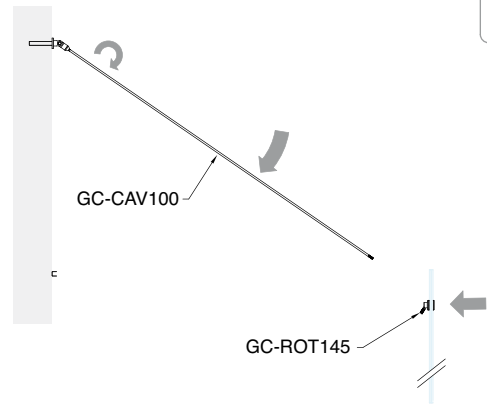
GC-SNOD1510KIT2
GC-SNOD3010KIT2
GC-SNOD1512KIT2
GC-SNOD3012KIT2

GC-SNOD1510KIT3
GC-SNOD3010KIT3
GC-SNOD1512KIT3
GC-SNOD3012KIT3

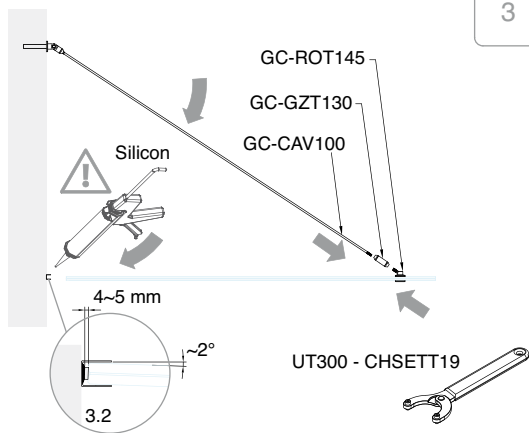
1



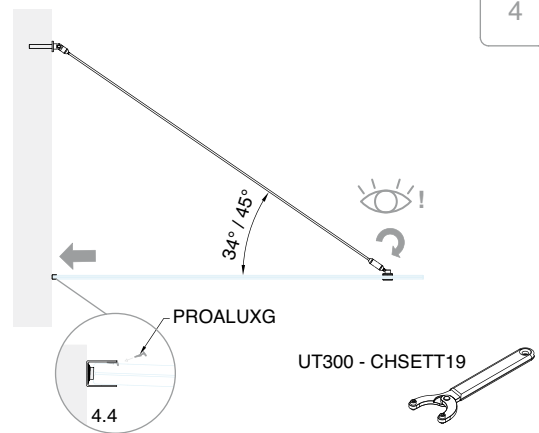
2



3

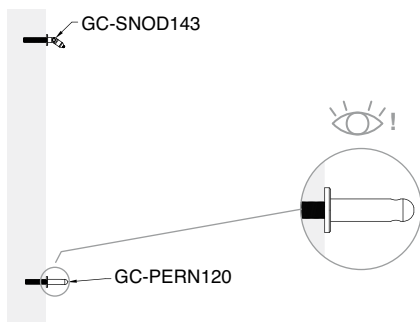


4

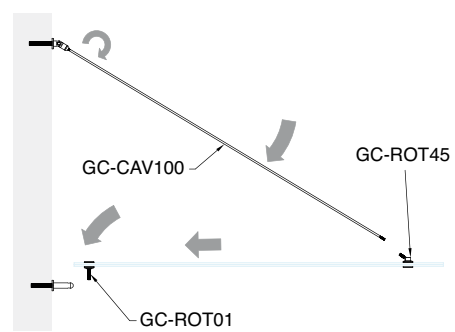


GC-CAV15KIT2
GC-CAV30KIT2
GC-CAV15KIT3
GC-CAV30KIT3

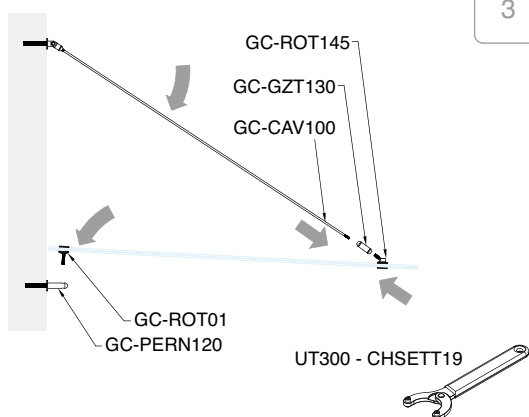
1



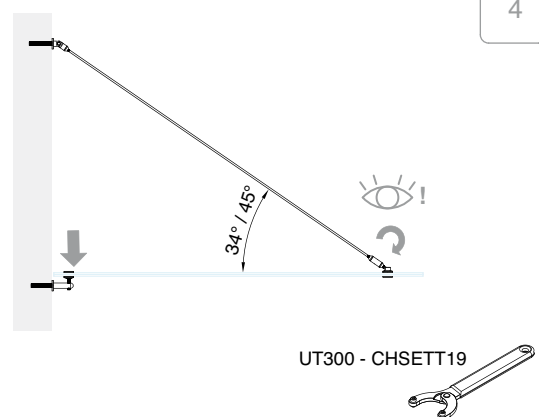
2

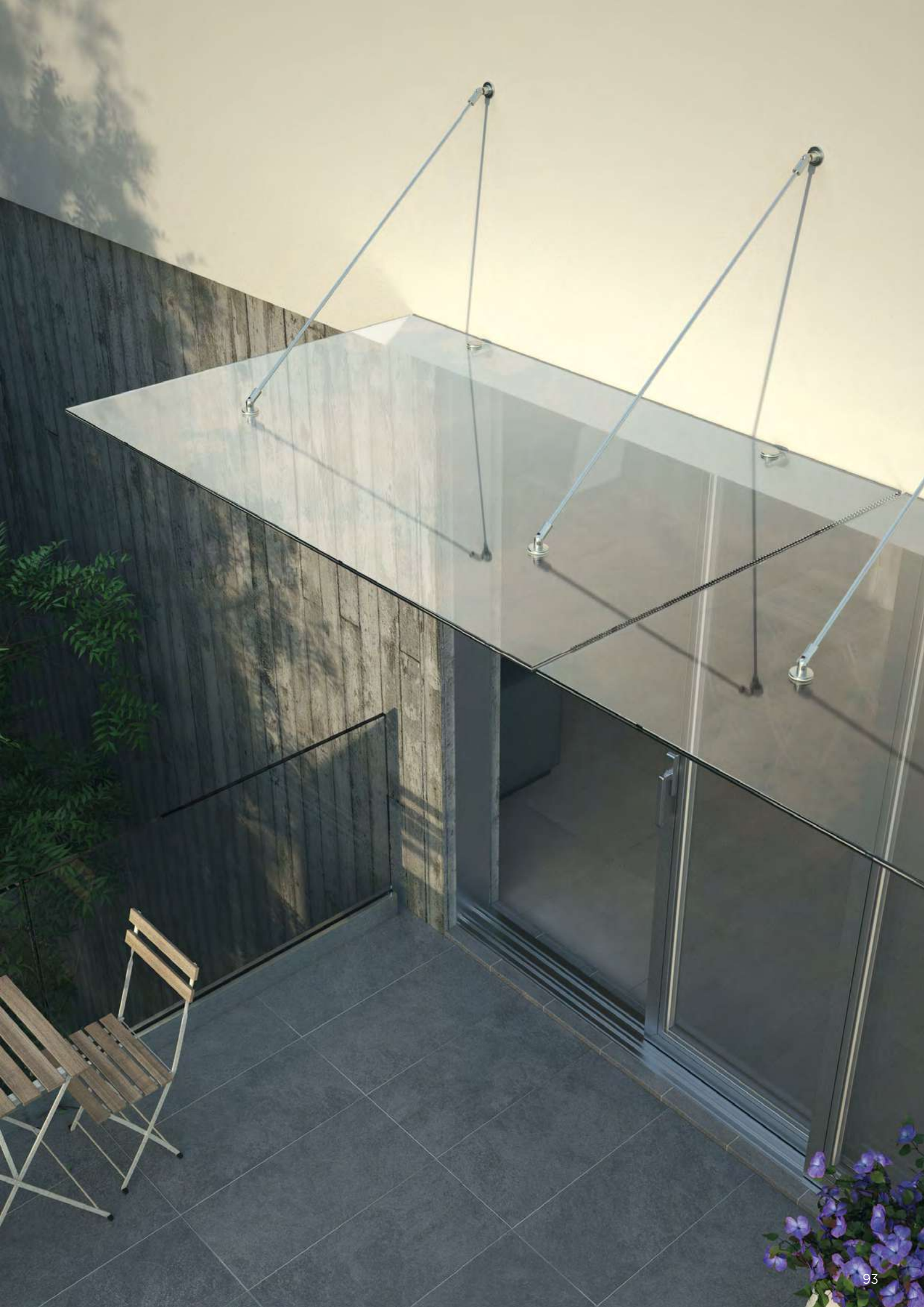


3



4





ATRIVANT 80

Your protection against wind and rain

The innovative system for glass sliding and dragging closures for balconies, porches and dehors.

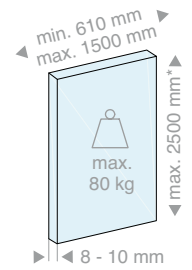




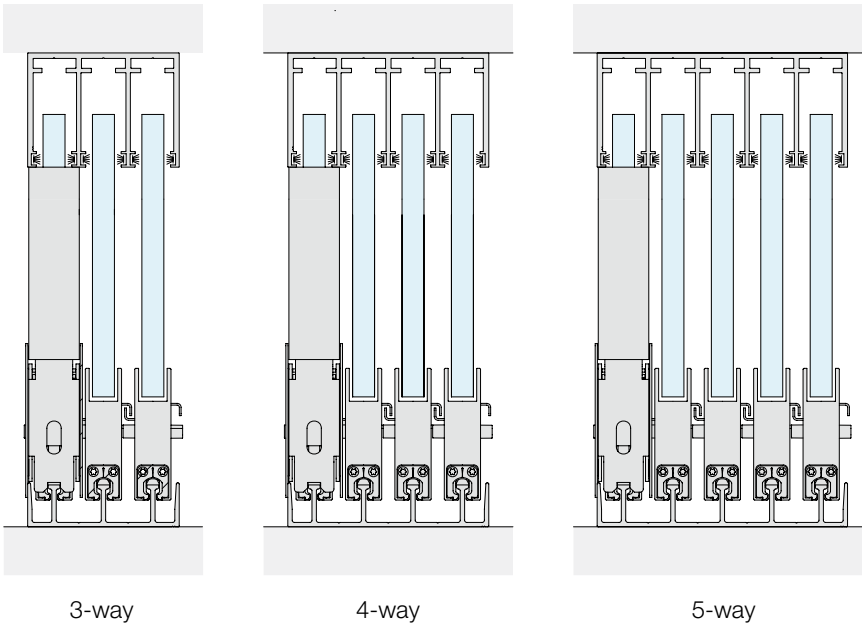
ATRIVANT 80

Technical properties

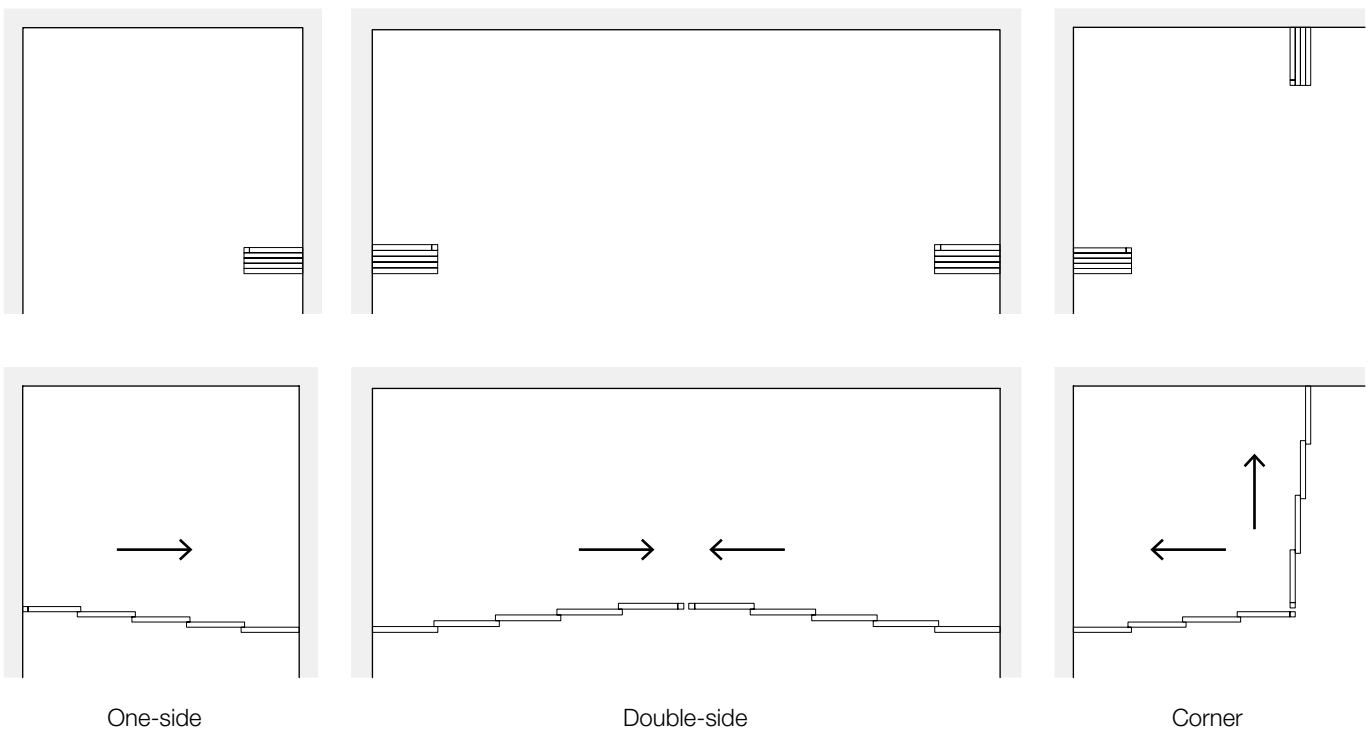
Atrivant 80 is a system for three, four and five tracks with softened movement (Soft Catch), both during the opening and the closing phase, for the sashes installed after the first one. The system is suitable for single-side, double-side and corner configurations, right- and left sliding opening, with or without fixed glasses. Furthermore, no glass processing is required. Available finishes: /97 (matt aluminium), /R6 (RAL 9016 matt), /R13 (RAL 7016 matt).



3 types of installation



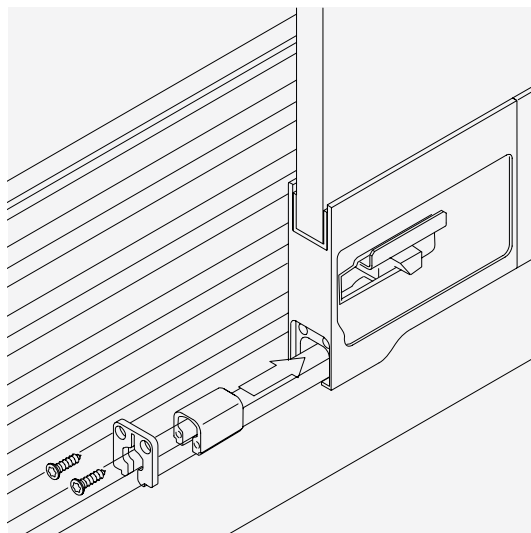
Configuration type



*for 8 mm glass, H max 1800 mm

WATERPROOF

Thanks to the selected materials, the system Atrivant 80 keeps ensuring the proper sliding of the sashes even when exposed to damp environments. Atrivant hosts a high-quality waterproof hydraulic dampfung, which perfectly works even when in direct contact with water. The rollers, furthermore, slide onto antirust stainless steel ball bearings, complete with a plastic covering, which ensure a perfect working for the entire life cycle of the sliding system.



HIGH RESISTENCE AT WIND PRESSURE

Atrivant 80 resists higher wind pressures up to class 4 according to EN 12211/12210. The doors are firmly glued into the glass holder profile, and entry into the superior one, avoiding the risks of movement even during the bending due to the thrust of the wind. In addition, the block trolley adheres to the track a floor with a double spill protection.

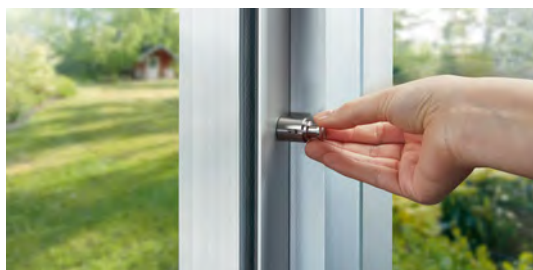


SOFT CATCH

When opening and closing, the dampfung system ensures that each sash softly starts the movement of the one behind. This movement will be silent and soft in any phase. Furthermore it will be easier to separately drag one or more sash to create, for example, a central passage. Once the door is in its original position, the soft catch mechanism will link it again to the others.

EASY CLEAN

Thanks to the possibility to separate the door sashes one from the other: cleaning the glasses, even in their overlap point, has never been easier.



CLOSURE

The system can be integrated with one wall closure through a vertical latch with rope operation.



A SUBTLE SLIDING

The trolleys are the strong point of the entire system. Made of stainless steel coated with plastic and with integrated damper, they guarantee high silence and resistance over time.



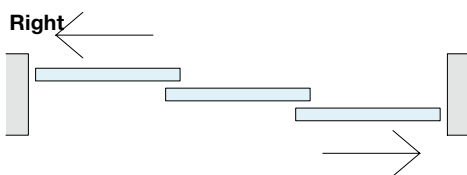
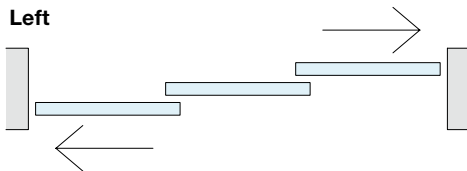
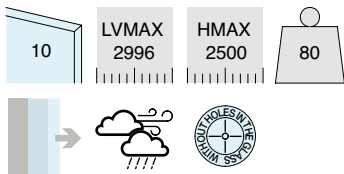
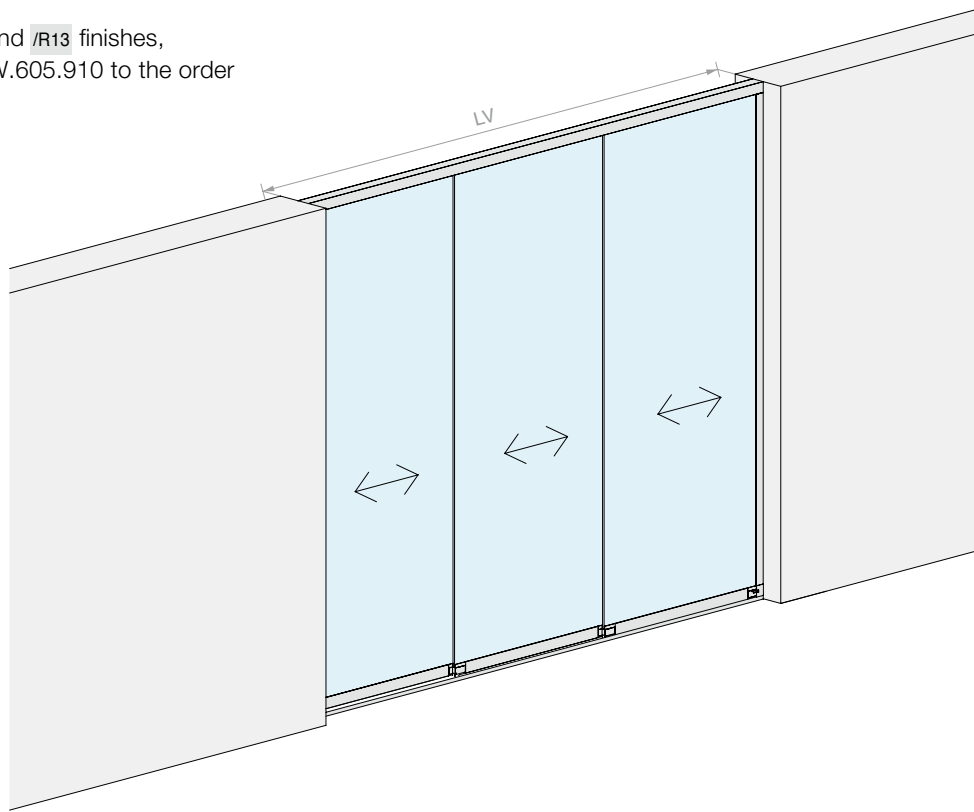


ATRIVANT 80 3-LEAF CEILING MOUNTED SLIDING DOOR KIT

Material: Aluminium

Finish: /97 /R6 /R13

For the painted /R6 and /R13 finishes, add the primer Art. W.605.910 to the order



Kit comprising:

| Art. | Description | Qty |
|----------------------|---|-------|
| W.651.023.300 | 3-leaf upper guide | 1 Pc |
| W.651.033.300 | 3-leaf lower track | 1 Pc |
| W.650.010.300 | Glass holder profile | 1 Pc |
| W.650.900 | Glass fixing adhesive | 1 Pc |
| W.651.520.250 | Wall profile | 2 Pcs |
| W.651.256 | Gasket for upper guide | 28 m |
| W.650.260 | Adaptor for wall profile | 2 Pcs |
| W.651.220 | Set of carriers for single leaf door, left | 3 Pcs |
| W.651.230 | Set of carriers for single leaf door, right | 3 Pcs |

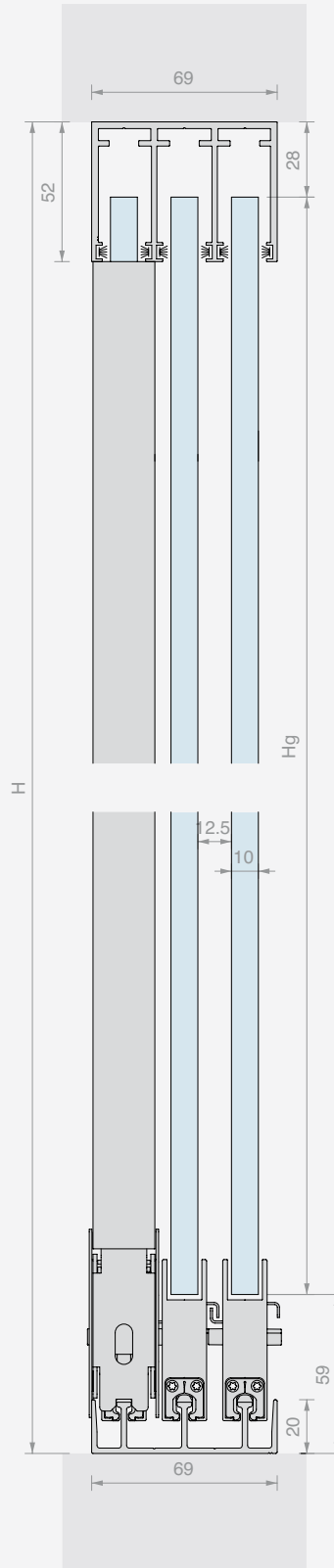
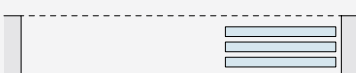
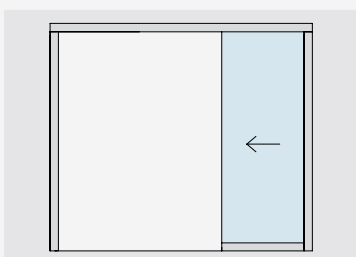
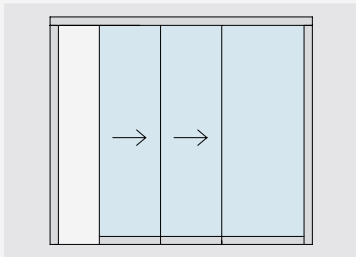
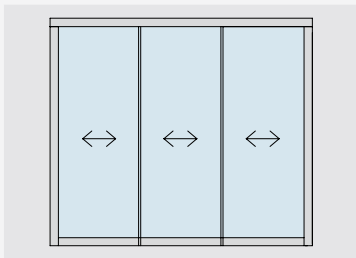
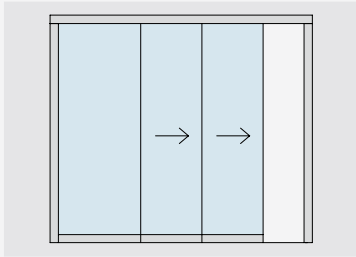
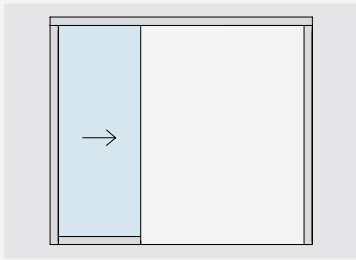
Optional:

| | | |
|---------------------|--|-------|
| W.651.273 | 2 caps for upper guide | 1 Pc |
| W.651.263 | 2 caps for lower track | 1 Pc |
| W.650.620 | Lock for door leaf | 2 Pcs |
| HAND13040VHB | Handle with VHB | 4 Pcs |
| W.650.910 | Primer for bonding of profiles with RAL painted finish | 1 Pc |

| Art. | Mounting | No. door leaves | LV max | Qty |
|------------------------|----------|-----------------|---------|------|
| W.ATR803VSX.300 | Left | 3 | 2996 mm | 1 Pc |
| W.ATR803VDX.300 | Right | 3 | 2996 mm | 1 Pc |



RECOMMENDED GLASS LAYOUT AND SIZING



GLASS SIZING:

$$L_g = (L_v + 44) / 3$$

$$H_g = H - 87$$



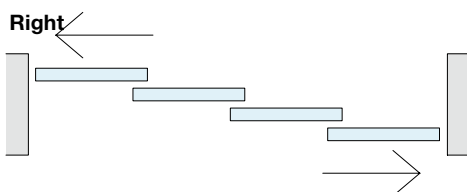
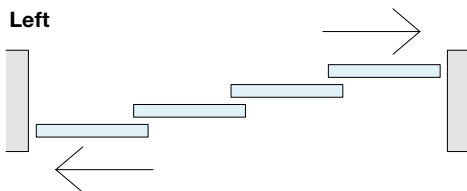
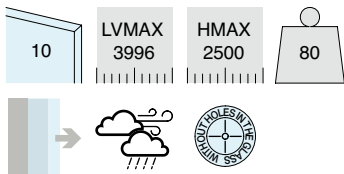
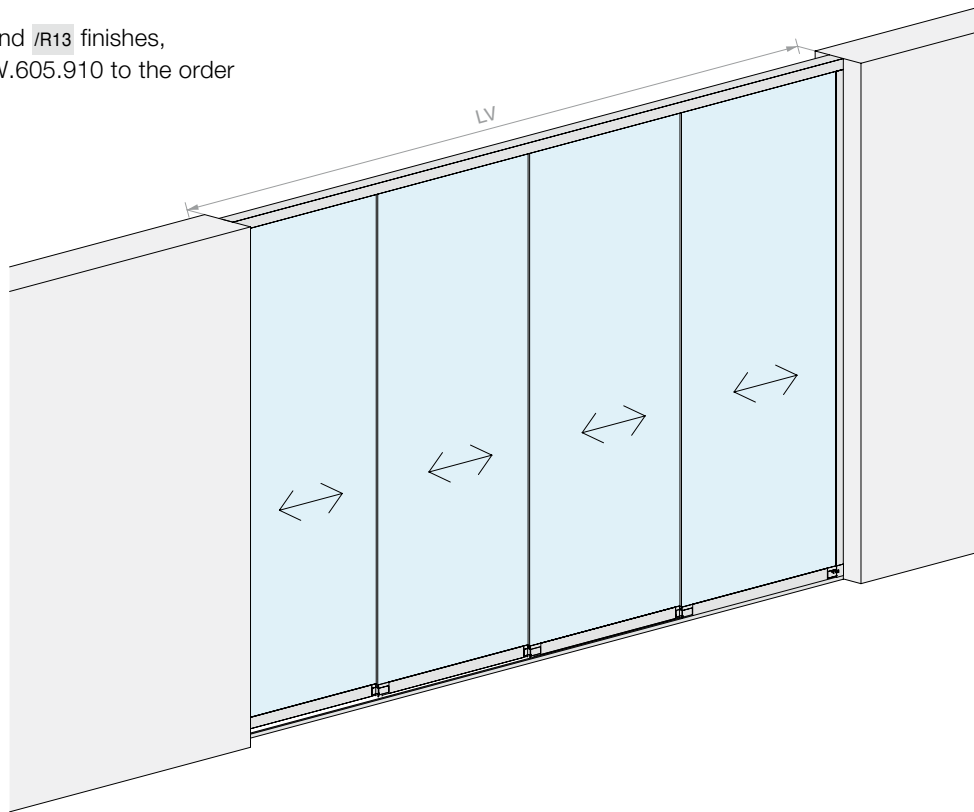


ATRIVANT 80 4-LEAF CEILING-MOUNTED SLIDING DOOR KIT

Material: Aluminium

Finish: /97 /R6 /R13

For the painted /R6 and /R13 finishes, add the primer Art. W.605.910 to the order



Kit comprising:

| Art. | Description | Qty |
|----------------------|---|-------|
| W.651.024.400 | 4-leaf upper guide | 1 Pc |
| W.651.034.400 | 4-leaf lower track | 1 Pc |
| W.650.010.400 | Glass holder profile | 1 Pc |
| W.650.900 | Glass fixing adhesive | 1 Pc |
| W.651.520.250 | Wall profile | 2 Pcs |
| W.651.256 | Gasket for upper guide | 42 m |
| W.650.260 | Adaptor for wall profile | 2 Pcs |
| W.651.220 | Set of carriers for single leaf door, left | 4 Pcs |
| W.651.230 | Set of carriers for single leaf door, right | 4 Pcs |

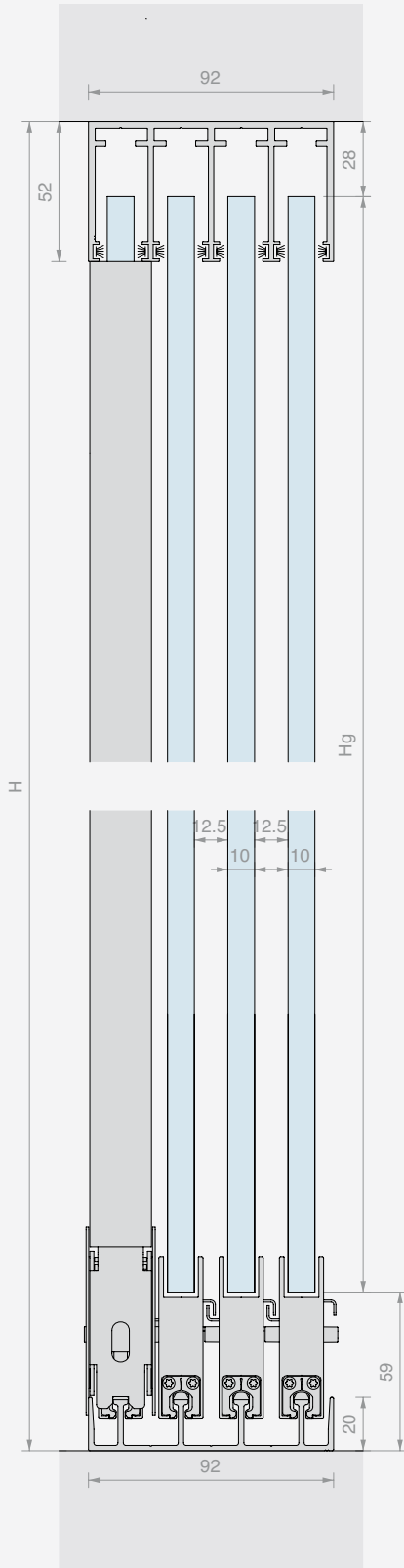
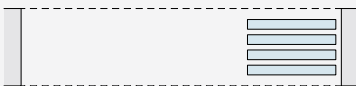
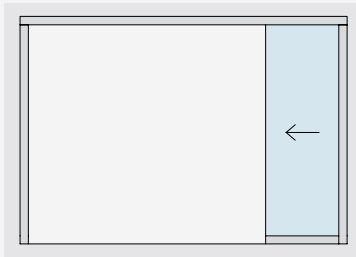
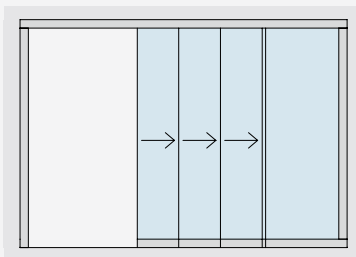
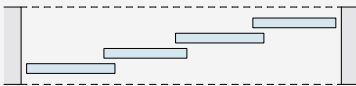
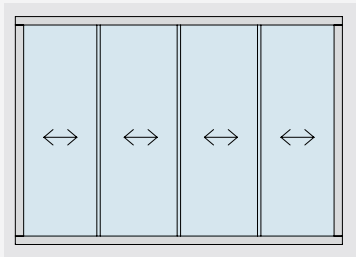
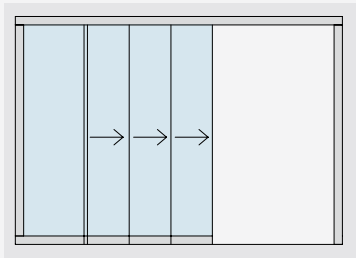
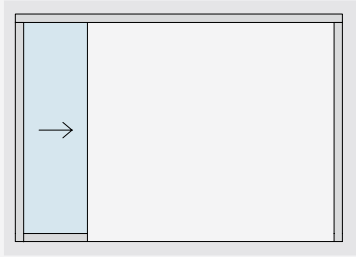
Optional:

| | | |
|---------------------|--|-------|
| W.651.274 | 2 caps for upper guide | 1 Pc |
| W.651.264 | 2 caps for lower track | 1 Pc |
| W.650.620 | Lock for door leaf | 2 Pcs |
| HAND13040VHB | Handle with VHB | 4 Pcs |
| W.650.910 | Primer for bonding of profiles with RAL painted finish | 1 Pc |

| Art. | Mounting | No. door leaves | LV max | Qty |
|------------------------|----------|-----------------|----------------|------|
| W.ATR804VSX.400 | Left | 4 | 3996 mm | 1 Pc |
| W.ATR804VDX.400 | Right | 4 | 3996 mm | 1 Pc |



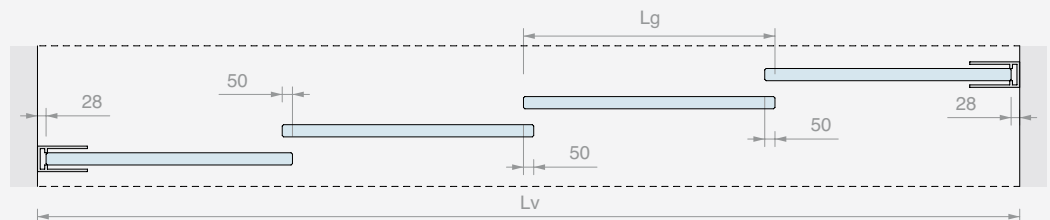
RECOMMENDED GLASS LAYOUT AND SIZING



GLASS SIZING:

$$L_g = (L_v + 94) / 4$$

$$H_g = H - 87$$



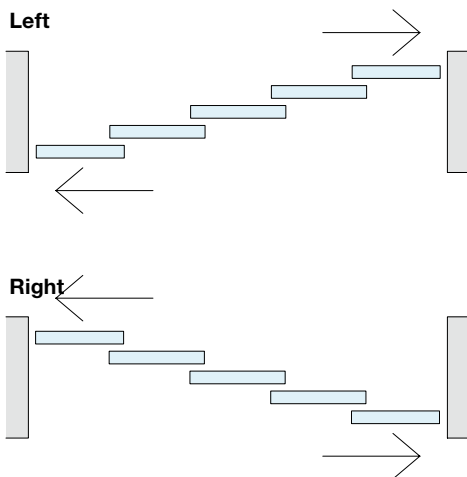
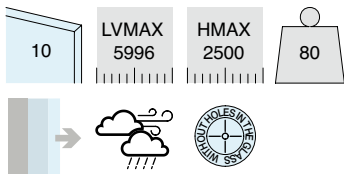
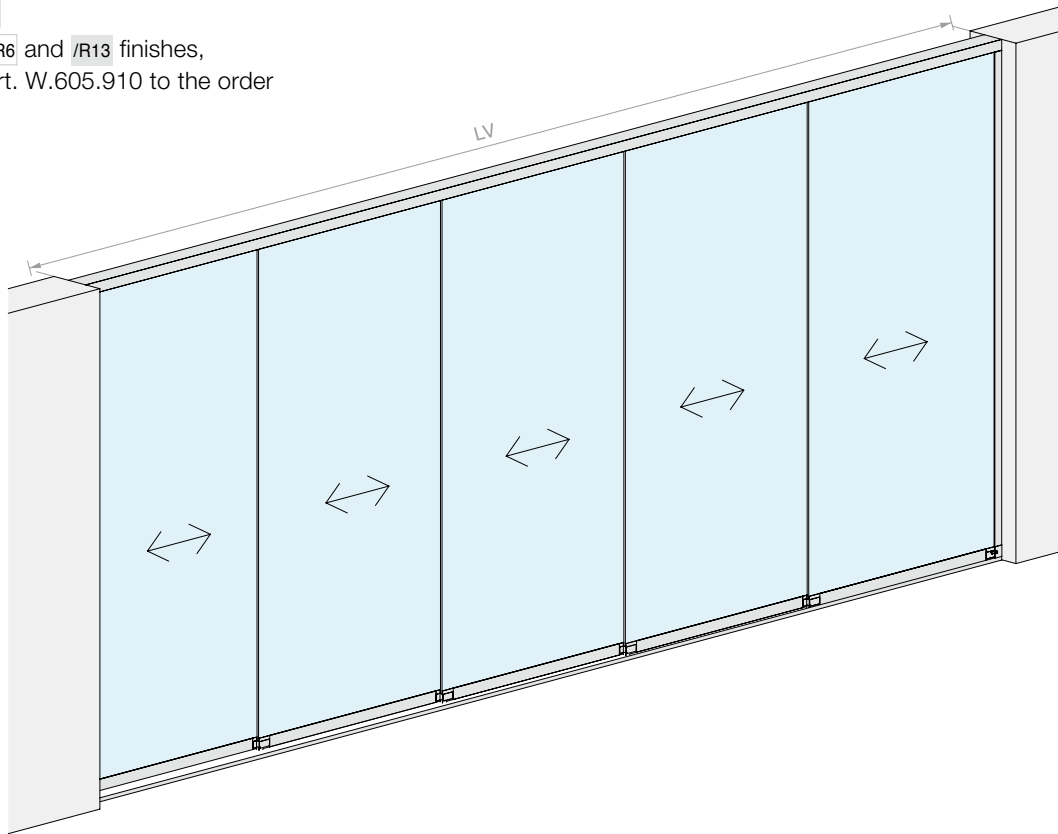


ATRIVANT 80 5-LEAF CEILING MOUNTED SLIDING DOOR KIT

Material: Aluminium

Finish: /97 /R6 /R13

For the painted /R6 and /R13 finishes, add the primer Art. W.605.910 to the order



Kit comprising:

| Art. | Description | Qty |
|----------------------|---|-------|
| W.651.025.600 | 5-leaf upper guide | 1 Pc |
| W.651.035.600 | 5-leaf lower track | 1 Pc |
| W.650.010.600 | Glass holder profile | 1 Pc |
| W.650.900 | Glass fixing adhesive | 1 Pc |
| W.651.520.250 | Wall profile | 2 Pcs |
| W.651.256 | Gasket for upper guide | 70 m |
| W.650.260 | Adaptor for wall profile | 2 Pcs |
| W.651.220 | Set of carriers for single leaf door, left | 5 Pcs |
| W.651.230 | Set of carriers for single leaf door, right | 5 Pcs |

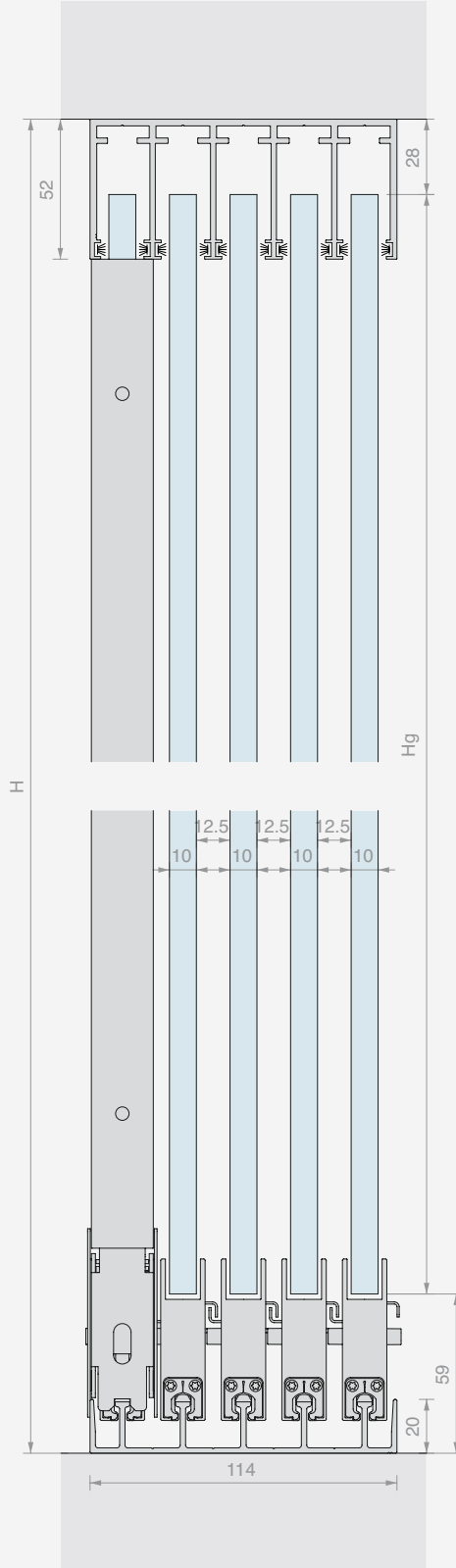
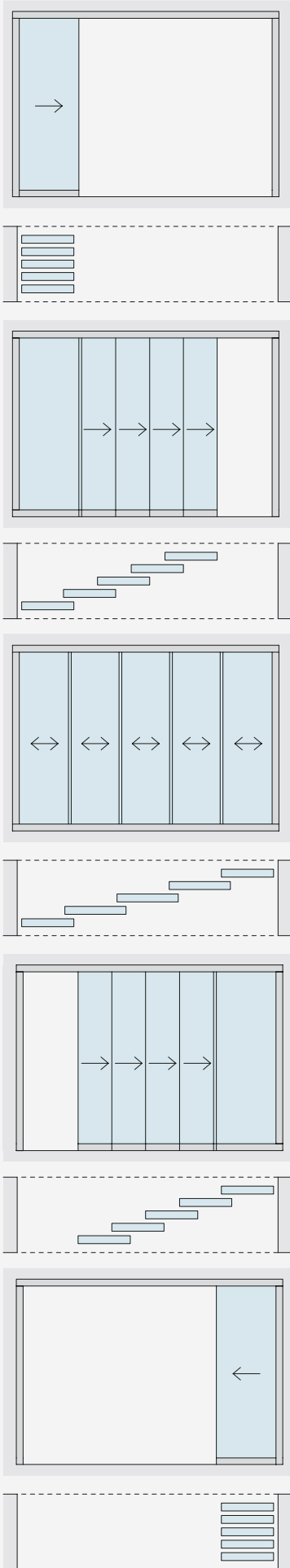
Optional:

| | | |
|---------------------|--|-------|
| W.651.275 | 2 caps for upper guide | 1 Pc |
| W.651.265 | 2 caps for lower track | 1 Pc |
| W.650.620 | Lock for door leaf | 2 Pcs |
| HAND13040VHB | Handle with VHB | 4 Pcs |
| W.650.910 | Primer for bonding of profiles with RAL painted finish | 1 Pc |

| Art. | Mounting | No. door leaves | LV max | Qty |
|------------------------|----------|-----------------|----------------|------|
| W.ATR805VSX.600 | Left | 5 | 5996 mm | 1 Pc |
| W.ATR805VDX.600 | Right | 5 | 5996 mm | 1 Pc |



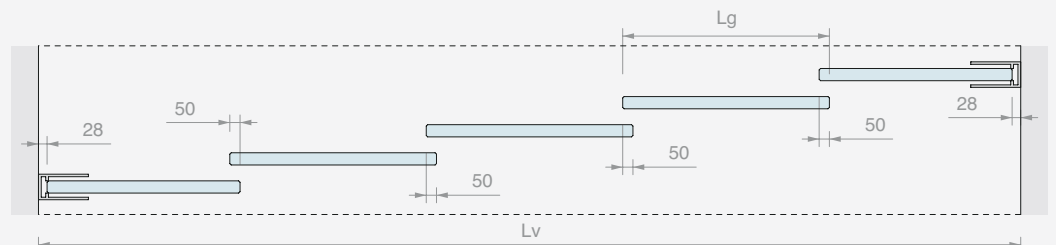
RECOMMENDED GLASS LAYOUT AND SIZING



GLASS SIZING:

$$L_g = (L_v + 144) / 5$$

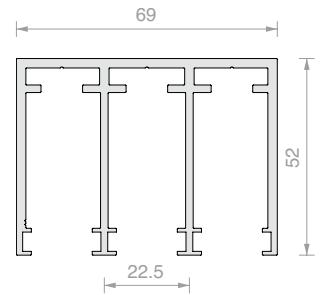
$$H_g = H - 87$$





ATRIVANT 80 3-WAY UPPER GUIDE

Material: Aluminium
 For installation without damper
 Length up to 5996 mm available to order
 Finish: /97 /R6 /R13

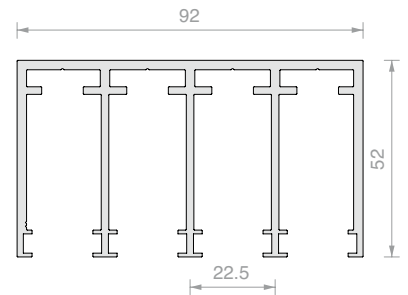


| Art. | Length | Qty |
|----------------------|----------------|-------------|
| W.651.023.300 | 2996 mm | 1 Pc |



ATRIVANT 80 4-WAY UPPER GUIDE

Material: Aluminium
 For installation without damper
 Length up to 5996 mm available to order
 Finish: /97 /R6 /R13

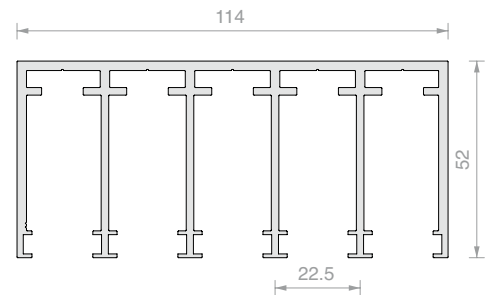


| Art. | Length | Qty |
|----------------------|----------------|-------------|
| W.651.024.400 | 3996 mm | 1 Pc |



ATRIVANT 80 5-WAY UPPER GUIDE

Material: Aluminium
 For installation without damper
 Finish: /97 /R6 /R13



| Art. | Length | Qty |
|----------------------|----------------|-------------|
| W.651.025.600 | 5996 mm | 1 Pc |



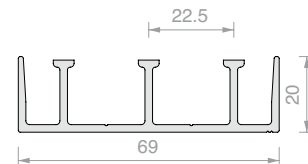
ATRIVANT 80 3-WAY LOWER TRACK

Material: Aluminium

The track has holes for draining water

Length up to 5996 mm available to order

Finish: /97



| Art. | Length | Qty |
|----------------------|----------------|-------------|
| W.651.033.300 | 2996 mm | 1 Pc |



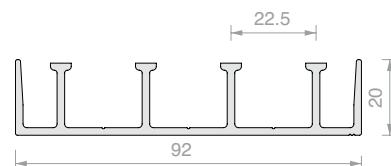
ATRIVANT 80 4-WAY LOWER TRACK

Material: Aluminium

The track has holes for draining water

Length up to 5996 mm available to order

Finish: /97



| Art. | Length | Qty |
|----------------------|----------------|-------------|
| W.651.034.400 | 3996 mm | 1 Pc |

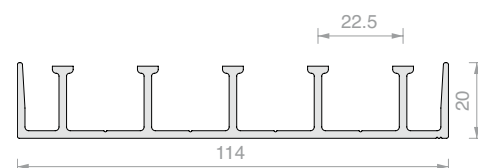


ATRIVANT 80 5-WAY LOWER TRACK

Material: Aluminium

The track has holes for draining water

Finish: /97



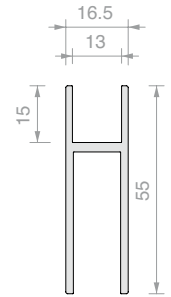
| Art. | Length | Qty |
|----------------------|----------------|-------------|
| W.651.035.600 | 5996 mm | 1 Pc |



ATRIVANT 80 GLASS HOLDER PROFILE

Material: Aluminium

Finish: /97 /R6 /R13



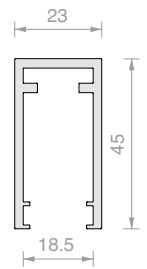
| Art. | Length | Qty |
|----------------------|---------|------|
| W.650.010.300 | 2996 mm | 1 Pc |
| W.650.010.400 | 3996 mm | 1 Pc |
| W.650.010.600 | 5996 mm | 1 Pc |



ATRIVANT 80 WALL PROFILE

Material: Aluminium

Finish: /97 /R6 /R13



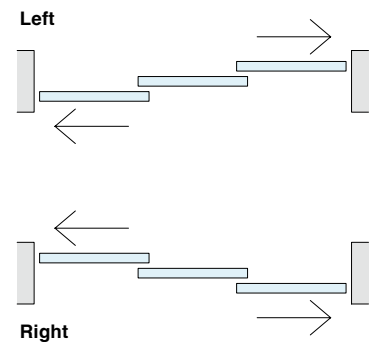
| Art. | Length | Qty |
|----------------------|---------|------|
| W.651.520.250 | 2496 mm | 1 Pc |
| W.651.520.500 | 4996 mm | 1 Pc |



SET OF CARRIERS FOR ATRIVANT 80 SINGLE LEAF DOOR

Material: Zamak, stainless steel, and nylon

Finish: /97 /R6 /R13



| Art. | Mounting | Qty |
|------------------|----------|------|
| W.651.220 | Left | 1 Pc |
| W.651.230 | Right | 1 Pc |



SEAL FOR ATRIVANT 80 UPPER GUIDE AND WALL PROFILE

Colour: grey

| Art. | For glass | Qty |
|------------------|-----------|-----|
| W.651.251 | 8 mm | 1 m |
| W.651.256 | 10 mm | 1 m |



ADAPTOR FOR WALL PROFILE

One must be ordered for each ATRIVANT 80 wall profile

Finish: /97 /R6 /R13

| Art. | Qty |
|------------------|------|
| W.650.260 | 1 Pc |



GLASS FIXING ADHESIVE AND PRIMER

Colour: grey

One bottle is enough for 6 m of profile

| Art. | Description | Qty |
|------------------|--|------|
| W.650.900 | Adhesive | 1 Pc |
| W.650.910 | Primer for bonding of profiles with RAL painted finish | 1 Pc |



DOOR LOCK IN WALL PROFILE

Always requires adaptor W.650.260

| Art. | Qty |
|------------------|------|
| W.650.620 | 1 Pc |

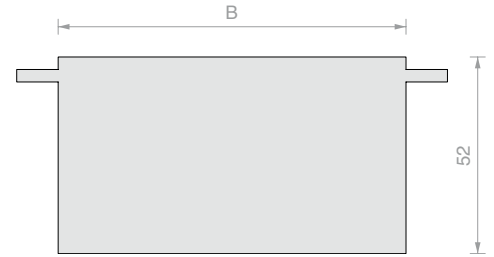


2 CAPS FOR UPPER GUIDE

Material: Aluminium

Finish: /97 /R6 /R13

Note: Install using silicone on the whole end of the cap



| Art. | B | Qty |
|------------------|---------------|-------------|
| W.651.273 | 69 mm | 1 Pc |
| W.651.274 | 92 mm | 1 Pc |
| W.651.275 | 114 mm | 1 Pc |

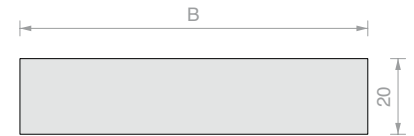


2 CAPS FOR LOWER TRACK

Material: Aluminium

Finish: /97

Note: Install using silicone on the whole end of the cap



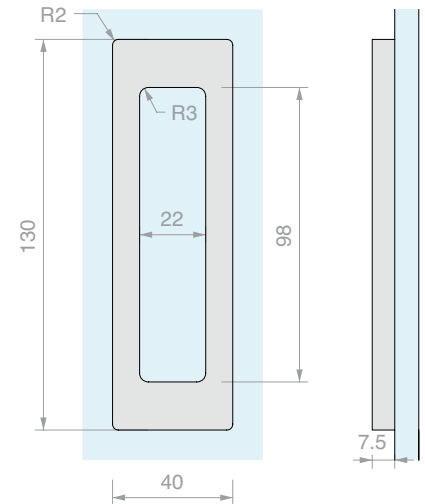
| Art. | B | Qty |
|------------------|---------------|-------------|
| W.651.263 | 69 mm | 1 Pc |
| W.651.264 | 92 mm | 1 Pc |
| W.651.265 | 114 mm | 1 Pc |



HANDLE FOR SLIDING DOORS WITH VBH FIXING HAND13040

Material: Aluminium

Finish: /1 /6 /88 /91 /97 /R6 /R13



| Art. | Qty |
|---------------------|-------------|
| HAND13040VHB | 1 Pc |



POOL

*ELEGANCE AND DESIGN
FOR OUTDOOR GLASS FENCES*

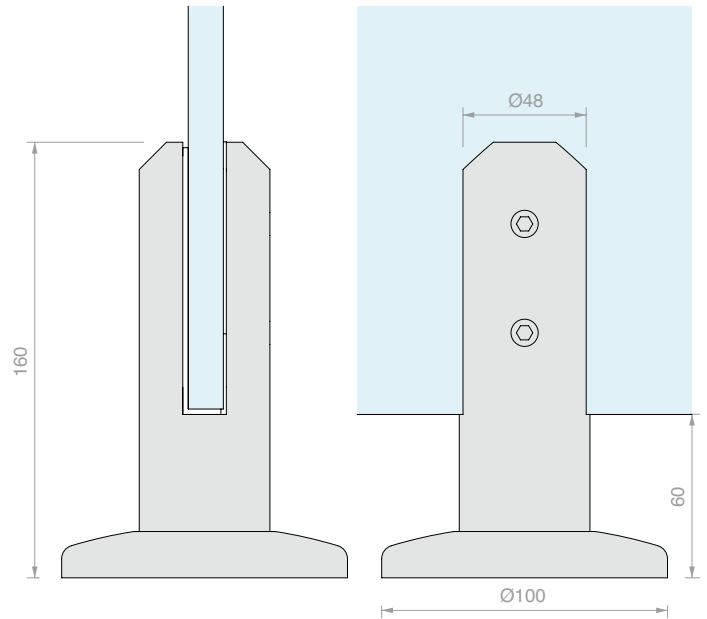




ROUNDED POOL CLAMP FOR OUTDOOR PARTITIONS

Material: AISI 316 stainless steel

Finish: /8 /15



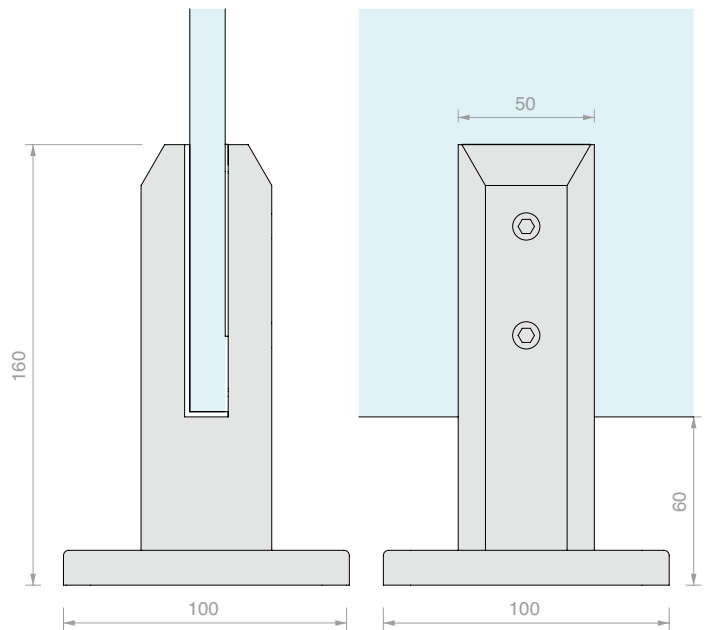
| Art. | For glass | Qty |
|----------------|----------------------|------|
| POOL50C | From 11.5 to 13.5 mm | 1 Pc |



SQUARE POOL CLAMP FOR OUTDOOR PARTITIONS

Material: AISI 316 stainless steel

Finish: /8 /15



| Art. | For glass | Qty |
|-----------------|----------------------|------|
| POOL50SQ | From 11.5 to 13.5 mm | 1 Pc |

Fluido Spider

*A refined design,
combined with resistance.*

The Fluido series is ideal for elegant glass facades.

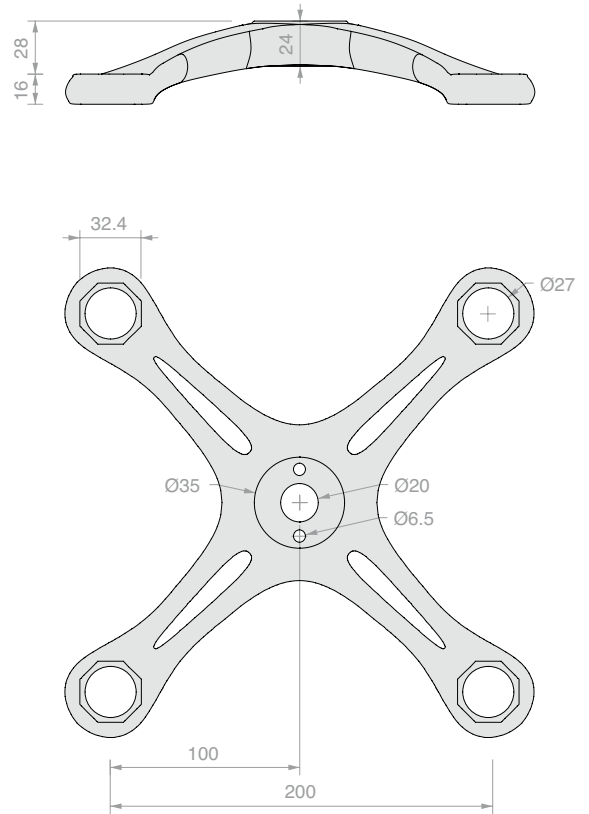
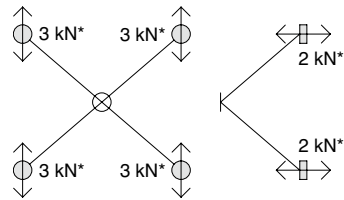




4-WAY SPIDER

Material: AISI 316 stainless steel

Finish: /8



Art. **FLUIDO360**

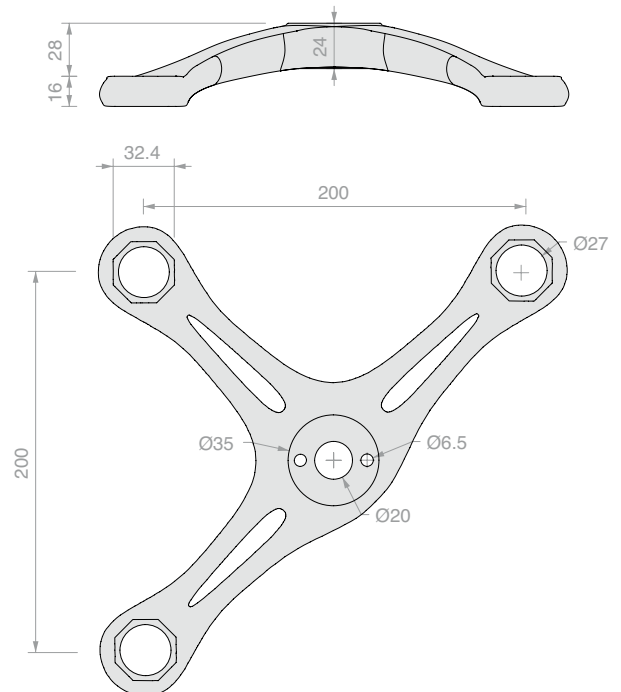
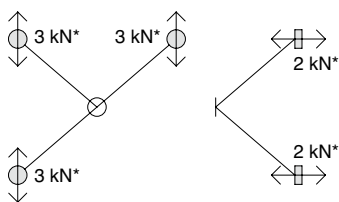
Qty
1 Pc



3-WAY SPIDER

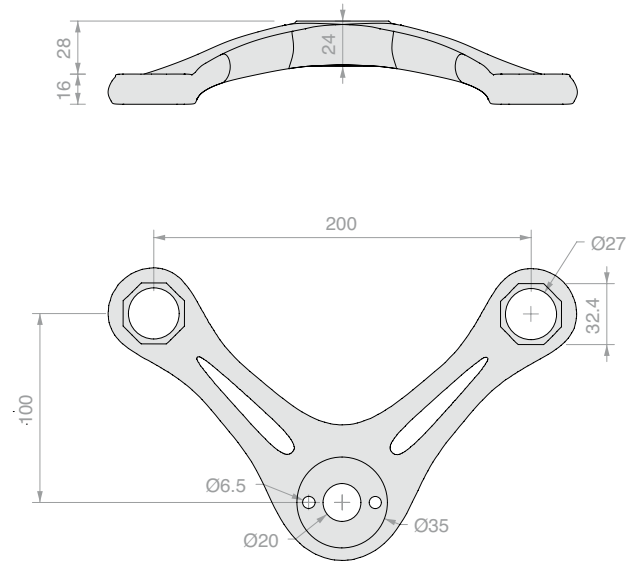
Material: AISI 316 stainless steel

Finish: /8



Art. **FLUIDO270**

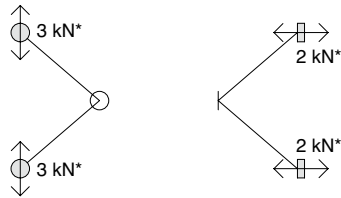
Qty
1 Pc



2-WAY 90° SPIDER

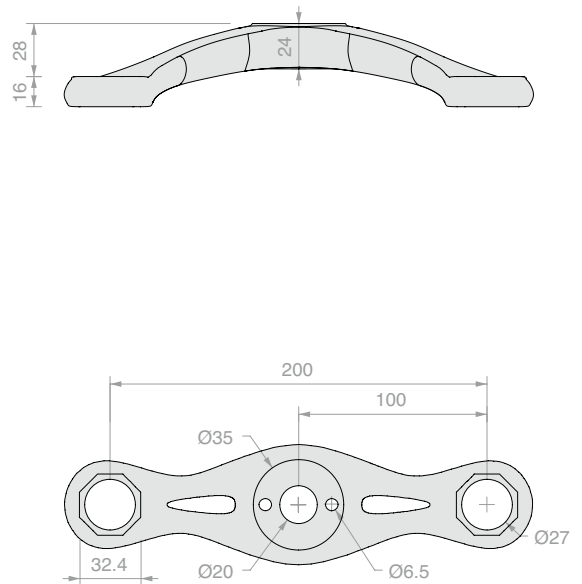
Material: AISI 316 stainless steel

Finish: /8



Art.
FLUIDO90

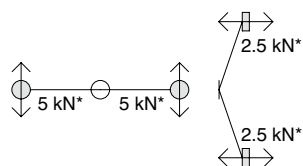
Qty
1 Pc



2-WAY IN-LINE SPIDER

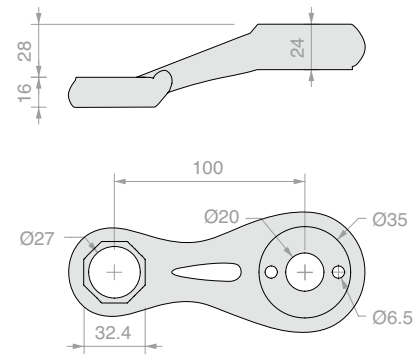
Material: AISI 316 stainless steel

Finish: /8



Art.
FLUIDO180

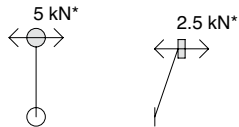
Qty
1 Pc



1-WAY IN-LINE SPIDER

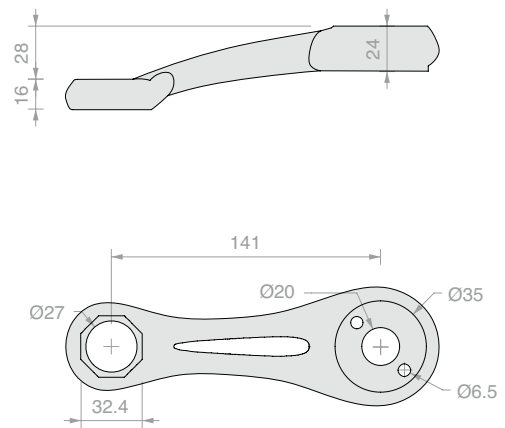
Material: AISI 316 stainless steel

Finish: /8



Art.
FLUIDO100

Qty
1 Pc



1-WAY 45° SPIDER

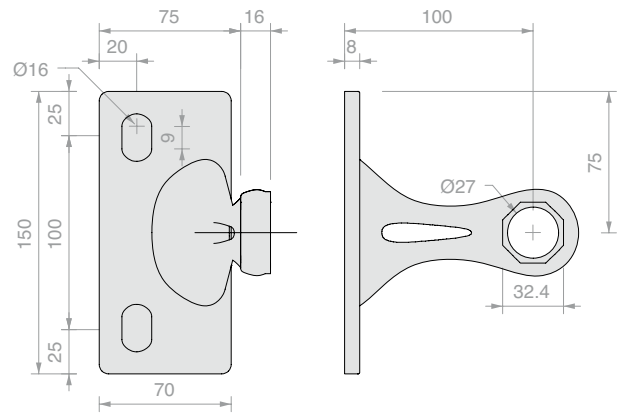
Material: AISI 316 stainless steel

Finish: /8



Art.
FLUIDO45

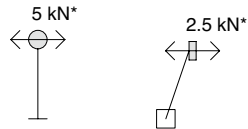
Qty
1 Pc



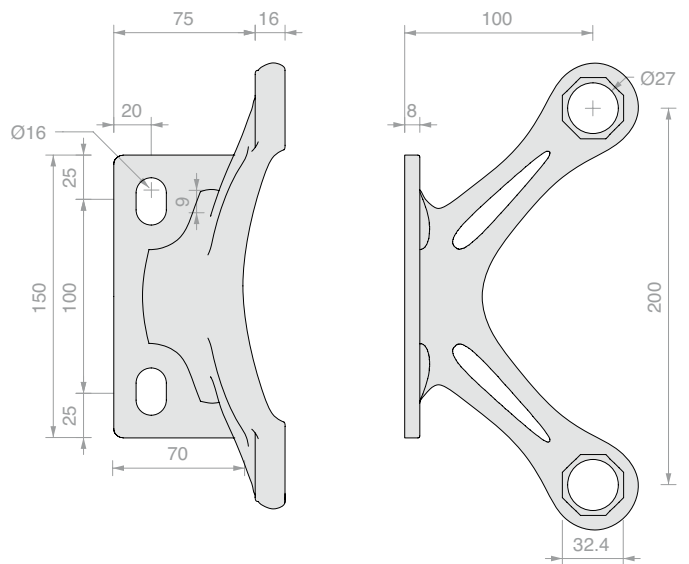
1-WAY SPIDER PLATE

Material: AISI 316 stainless steel

Finish: /8



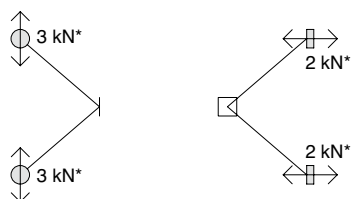
| Art. | Qty |
|----------------|------|
| FLUIDO1 | 1 Pc |



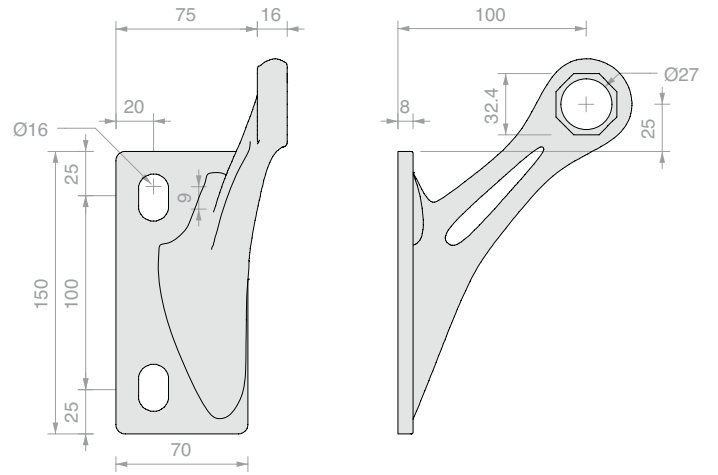
2-WAY SPIDER PLATE

Material: AISI 316 stainless steel

Finish: /8



| Art. | Qty |
|----------------|------|
| FLUIDO2 | 1 Pc |



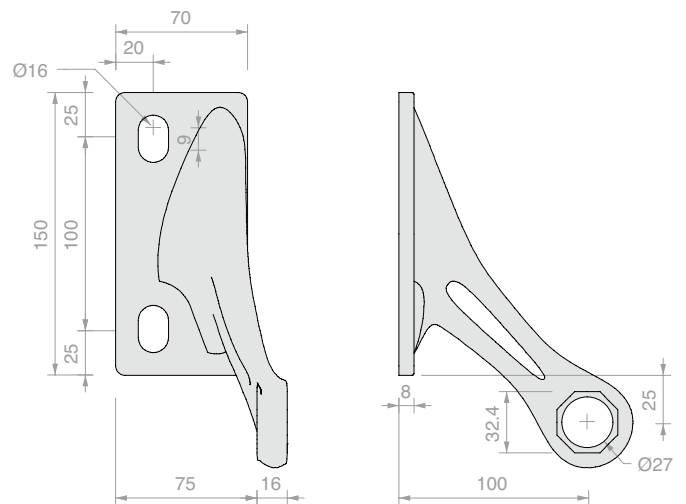
1-WAY LEFT SPIDER PLATE

Material: AISI 316 stainless steel

Finish: /8



| | |
|-----------------|------|
| Art. | Qty |
| FLUIDOSX | 1 Pc |



1-WAY RIGHT SPIDER PLATE

Material: AISI 316 stainless steel

Finish: /8



| | |
|-----------------|------|
| Art. | Qty |
| FLUIDODX | 1 Pc |

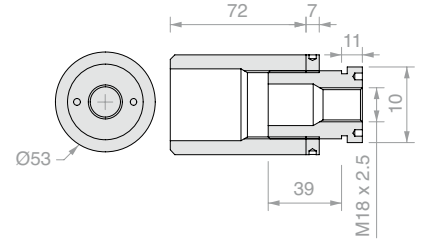


ADJUSTABLE SPIDER CONNECTOR

Material: galvanised free-cutting leaded steel casing, other parts AISI 316

Finish: /9

Note: the spider requires connecting screws for fastening Art. SPV1000



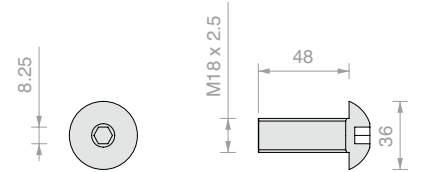
| Art. | Qty |
|----------------|------|
| SPC1000 | 1 Pc |



SCREW FOR ADJUSTABLE SPIDER

Material: AISI 316 stainless steel

Finish: /9



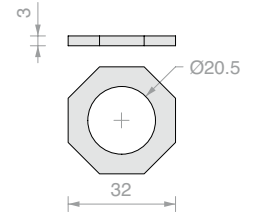
| Art. | Qty |
|----------------|------|
| SPV1000 | 1 Pc |



OCTAGONAL WASHER WITH HOLE

Material: AISI 316 stainless steel

Finish: /8



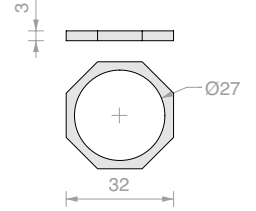
| Art. | Qty |
|--------------|------|
| STR10 | 1 Pc |



OCTAGONAL WASHER WITH WIDE HOLE

Material: AISI 316 stainless steel

Finish: /8



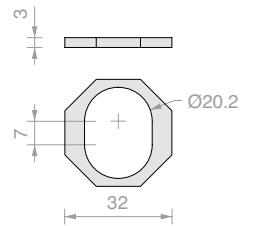
| Art. | Qty |
|--------------|------|
| STR12 | 1 Pc |



OCTAGONAL WASHER WITH WIDE OVAL HOLE

Material: AISI 316 stainless steel

Finish: /8



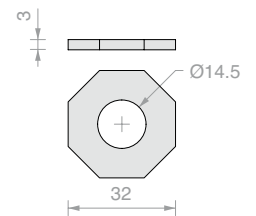
| Art. | Qty |
|-------------|------|
| STR8 | 1 Pc |



OCTAGONAL WASHER WITH NARROW HOLE

Material: AISI 316 stainless steel

Finish: /8



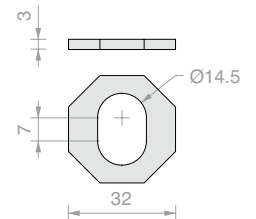
| Art. | Qty |
|--------------|------|
| STR14 | 1 Pc |



OCTAGONAL WASHER WITH OVAL HOLE

Material: AISI 316 stainless steel

Finish: /8



| Art. | Qty |
|--------------|------|
| STR18 | 1 Pc |

SPIDER SP

Simple and minimal

Simple and minimal.

Our SP systems create transparent shells that perfectly meet any aesthetic solution.

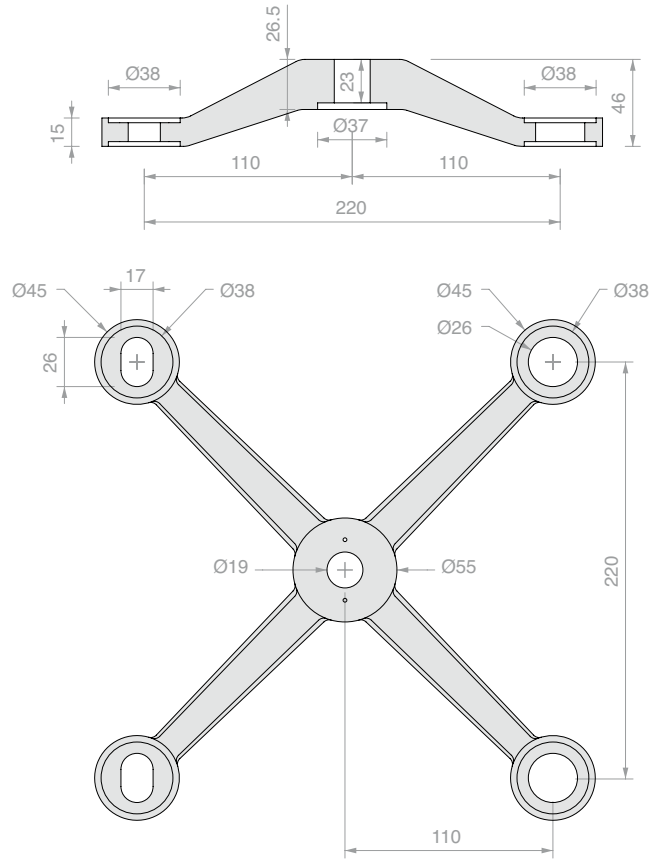
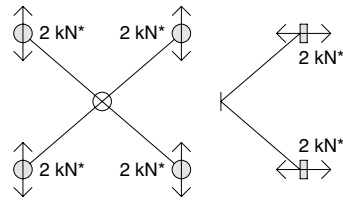




4-WAY SPIDER

Material: AISI 316 stainless steel

Finish: /15



Art.

SP2201

Qty

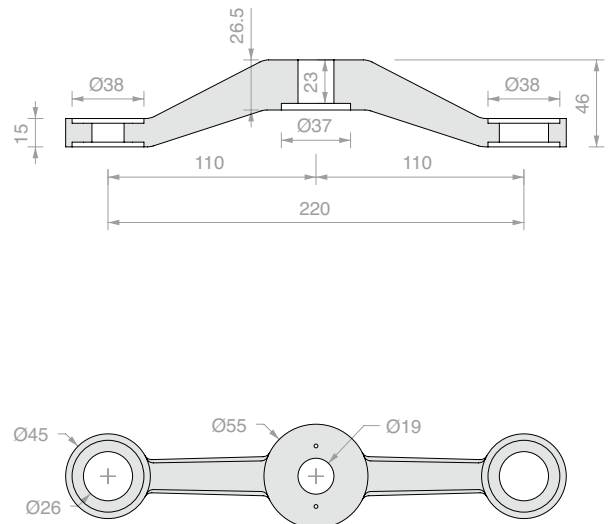
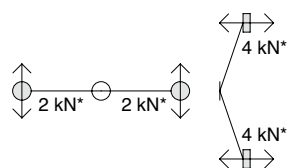
1 Pc



2-WAY IN-LINE SPIDER

Material: AISI 316 stainless steel

Finish: /15

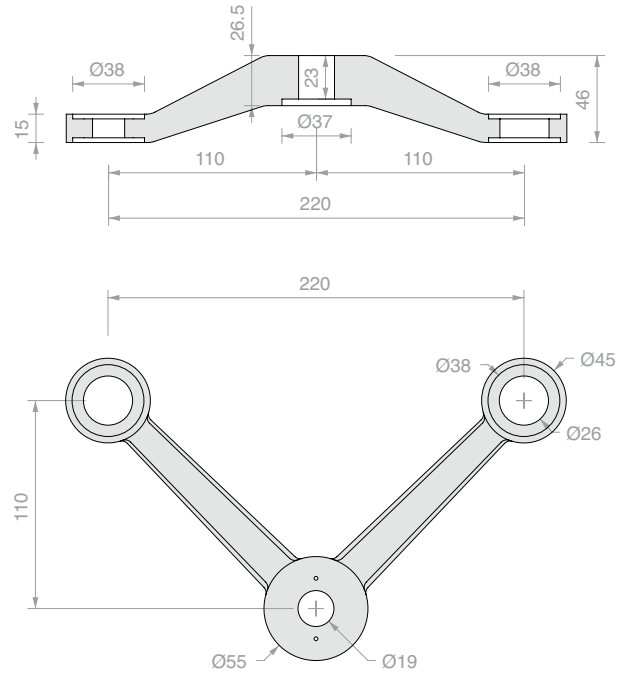


Art.

SP2202

Qty

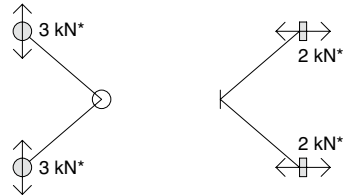
1 Pc



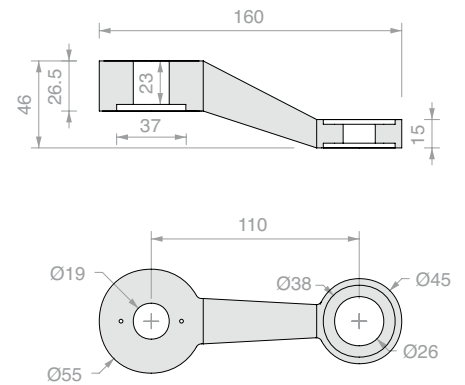
2-WAY 90° SPIDER

Material: AISI 316 stainless steel

Finish: /15



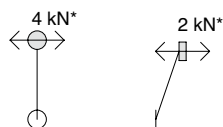
| Art. | Qty |
|---------------|------|
| SP2203 | 1 Pc |



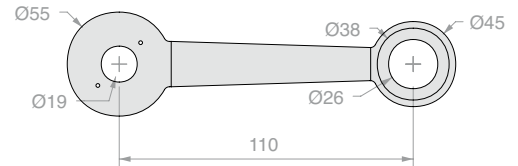
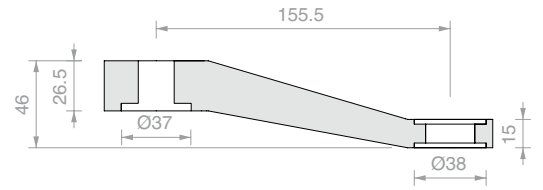
1-WAY IN-LINE SPIDER

Material: AISI 316 stainless steel

Finish: /15



| Art. | Qty |
|---------------|------|
| SP2204 | 1 Pc |



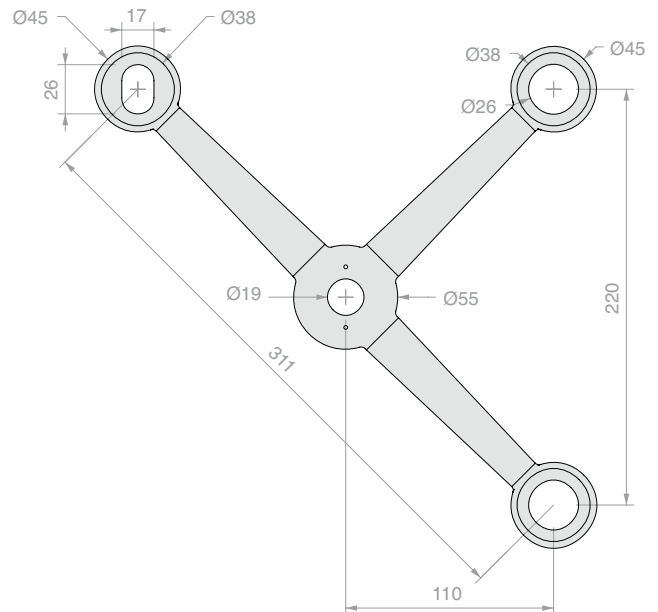
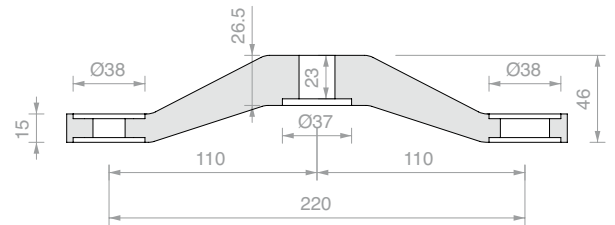
1-WAY 45° SPIDER

Material: AISI 316 stainless steel

Finish: /15



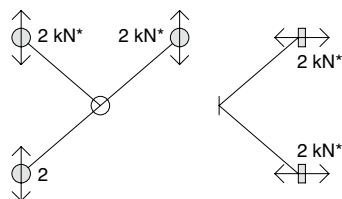
| Art. | Qty |
|---------------|------|
| SP2205 | 1 Pc |



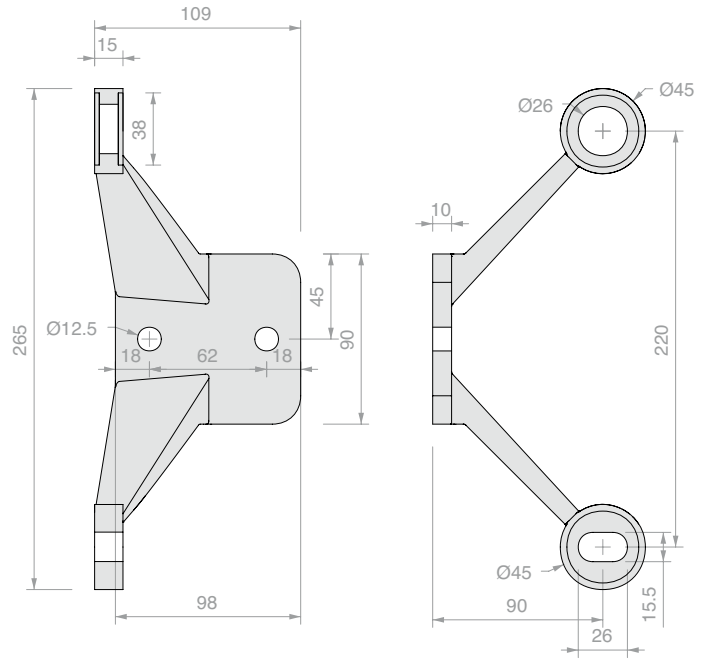
3-WAY SPIDER

Material: AISI 316 stainless steel

Finish: /15



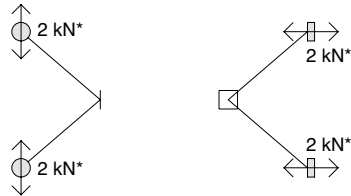
| Art. | Qty |
|---------------|------|
| SP2206 | 1 Pc |



2-WAY LEFT SPIDER PLATE

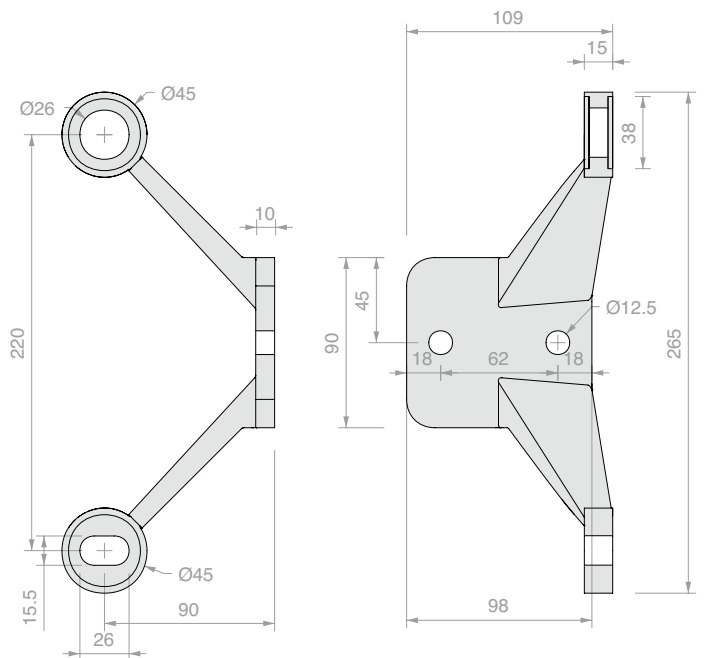
Material: AISI 316 stainless steel

Finish: /15



Art. **SP220L01**

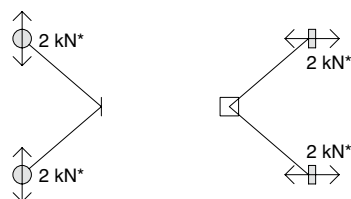
Qty
1 Pc



2-WAY RIGHT SPIDER PLATE

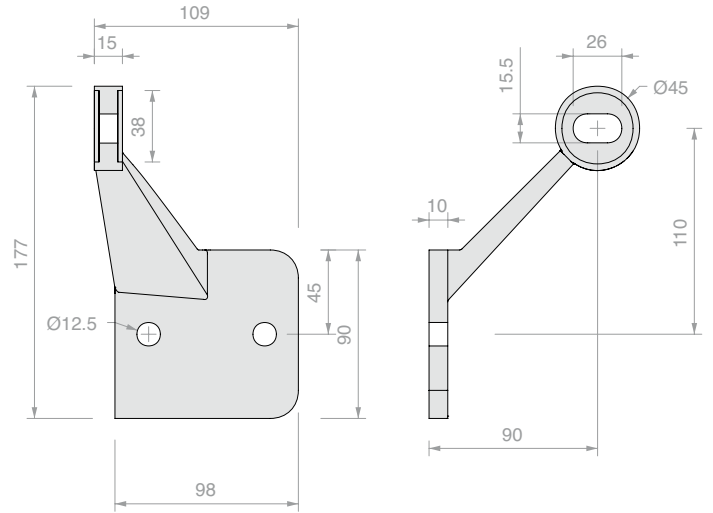
Material: AISI 316 stainless steel

Finish: /15



Art. **SP220L02**

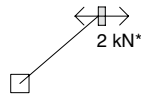
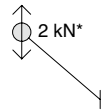
Qty
1 Pc



1-WAY LEFT SPIDER PLATE

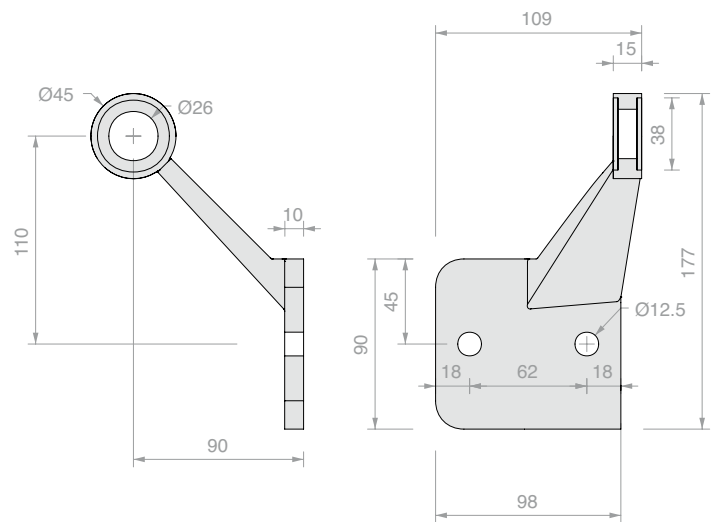
Material: AISI 316 stainless steel

Finish: /15



Art.
SP220L03

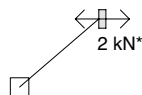
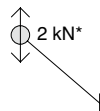
Qty
1 Pc



1-WAY RIGHT SPIDER PLATE

Material: AISI 316 stainless steel

Finish: /15



Art.
SP220L04

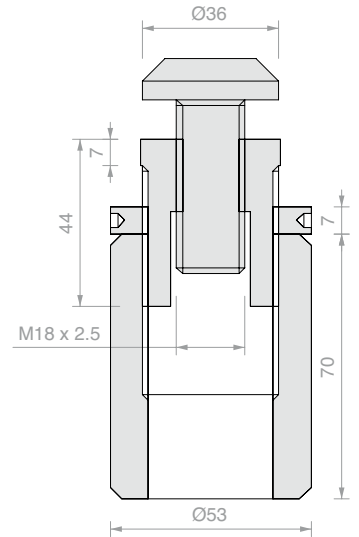
Qty
1 Pc



ADJUSTABLE SPIDER CONNECTOR WITH SCREW

Material: Free-cutting leaded steel and AISI 316

Finish: /9



Art.
SP220Z

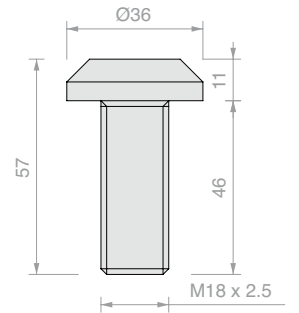
Qty
1 Pc



SCREW FOR ADJUSTABLE SPIDER

Material: AISI 316 stainless steel

Finish: /9



Art.
SP220Z04

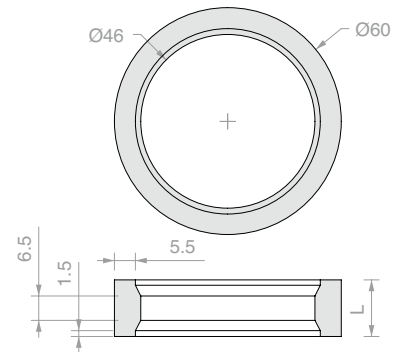
Qty
1 Pc



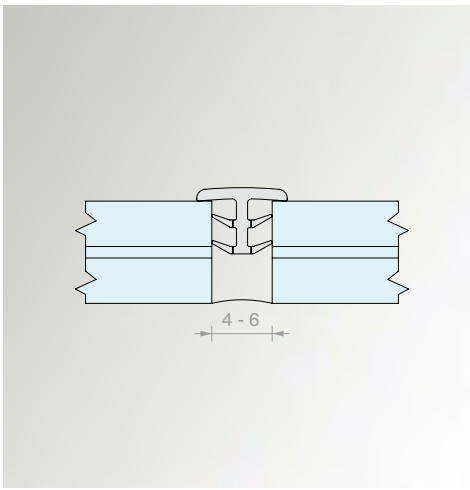
DOUBLE GLAZING FERRULE

Material: Aluminium

Finish: /97

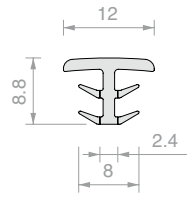


| Art. | L | Qty |
|------------------|-------|------|
| SP60ALL12 | 12 mm | 1 Pc |
| SP60ALL15 | 15 mm | 1 Pc |
| SP60ALL16 | 16 mm | 1 Pc |
| SP60ALL20 | 20 mm | 1 Pc |

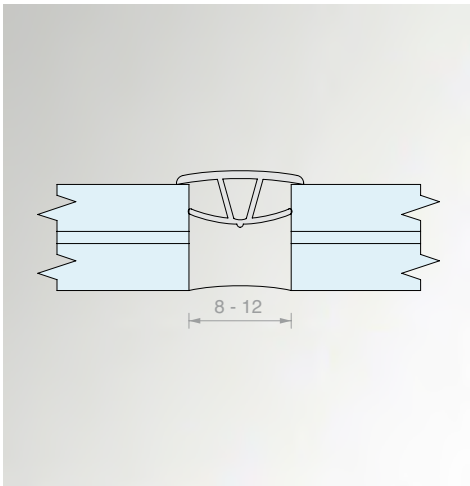


RIGID GASKET FOR SMALL LEAKS

Material: PETG
Finish: transparent

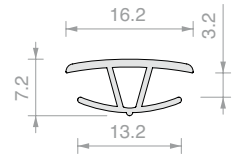


| Art. | Length | Qty |
|-----------------|----------------|-------------|
| SP073000 | 3000 mm | 1 Pc |

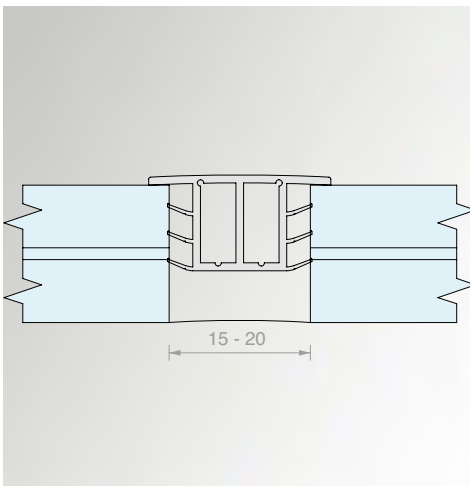


SMALL SILICONE GASKET

Material: Silicone
Finish: transparent

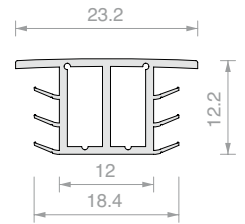


| Art. | Qty |
|-------------|------------|
| SP01 | 1 m |

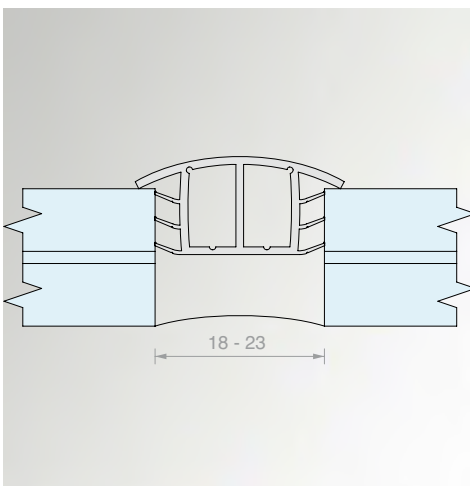


MEDIUM SILICONE GASKET

Material: Silicone
Finish: transparent

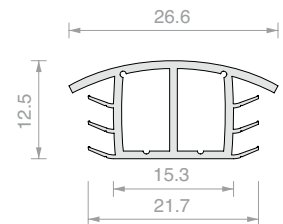


| Art. | Qty |
|-------------|------------|
| SP03 | 1 m |



LARGE SILICONE GASKET

Material: Silicone
Finish: transparent



| Art. | Qty |
|--------------|------------|
| SP051 | 1 m |





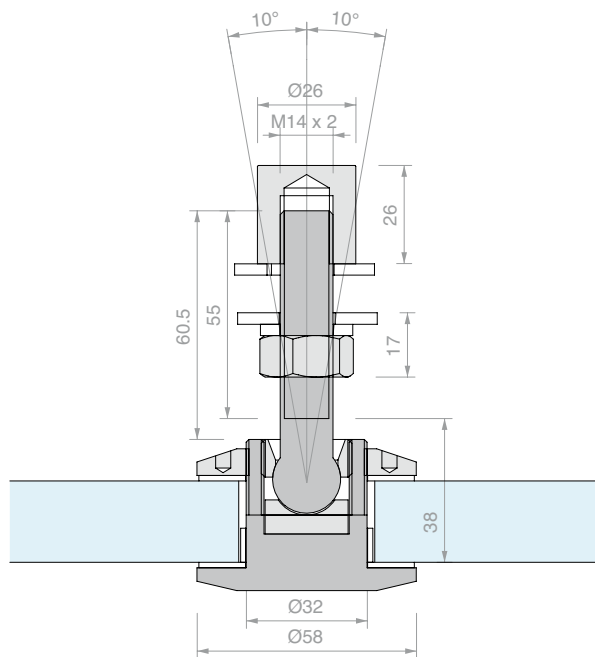
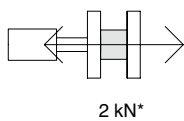
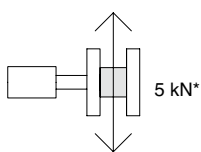
ARTICULATED ROTULE JOINT

Material: AISI 316 stainless steel

Recommended glass hole size Ø38 mm.

Finish: /9

Recommended tool for tightening: Art. UT300



Art.
ROT02

For glass
From 10 to 23 mm

Qty
1 Pc



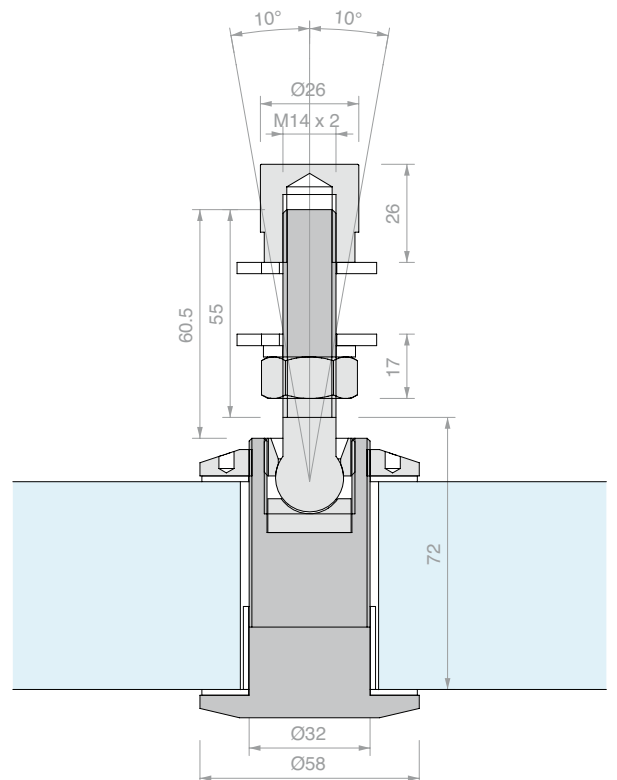
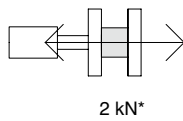
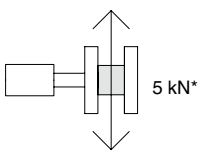
ARTICULATED ROTULE JOINT

Material: AISI 316 stainless steel

Recommended glass hole size Ø38 mm.

Finish: /9

Recommended tool for tightening: Art. UT300



Art.
ROT02D

For glass
From 23 to 57 mm

Qty
1 Pc



*the loads shown are the recommended values for pre-sizing as the maximum design load in the limit state, under the most common load conditions. These values are based on tests or numerical analysis and do not take into account the combined loads in different directions, nor the actual level of attachment provided by the substructure or loads linked to the formation of kinematic mechanisms or local or global phenomena. This information does not replace an assessment by a qualified engineer.



**FINISHES
RAL & SPECIALS
ON REQUEST***

RAL 1001 POLISHED RAL 8017 POLISHED RAL 5000 POLISHED RAL 3020 POLISHED RAL 7015 MATT RAL 9005 RIPPLED RAL RUST RIPPLED



QUALITAL

CLASS 20 Minimum galvanisation thickness 20 micron
Suitable for outdoor installation, even in hostile environments

*the production times for custom paint finishes are assessed on a case-by-case basis.
Galvanised finishes are subject to minimum order quantities and productions times assessed on a case-by-case basis.

CUSTOM RAL COLOURS

PROTECTIVE PACKAGING
FOR EACH INDIVIDUAL PROFILE TO PREVENT SCRATHES
DURING TRANSPORT

SPECIAL CUTS
ON REQUEST



OUR SERVICES

CUSTOMISATION



CUSTOMER CARE



RAPID ORDER MANAGEMENT AND DISTRIBUTION



Disclaimer: the following is provided for information purposes only and is subject to revision and updates.

INSTALLATION GUIDANCE

During installation:

- Use neutral detergents to remove dirt, greasy marks and adhesive residues. Do not use abrasive materials.
- For aluminium profiles, to protect against corrosion with cuts and holes made after galvanisation, it is recommended to use sealants (e.g. silicone or butyl), paints (e.g. metal zinc spray) or other suitable corrosion inhibitors.

If installing during winter, it is recommended to take account of the thermal expansion which occurs in summer due to the increase in the ambient temperature, fitting suitable expansion joints.

The thermal expansion coefficient of aluminium is $2.3 \times 10^{-5} \text{ } ^\circ\text{C}^{-1}$: for example, if the increase in temperature is 35°C , the expansion of a 3 m bar is $2.3 \times 10^{-5} \text{ } ^\circ\text{C}^{-1} \times 35^\circ\text{C} \times 3 \text{ m} = 2.4 \times 10^{-3} \text{ m}$, i.e. 2.4 mm.

ANODISING

Anodising (also known as anodic oxidation) is an electrochemical process which induces the formation of an oxide (alumina) on the surface of the aluminium extrusion. **This treatment gives the product the following properties:**

- corrosion resistance
- surface hardness
- abrasion resistance

The colouration of the products has a purely aesthetic impact and does not alter the protection provided by the anodising.

Raw aluminium profiles, specifically those without anodising or painting, sold by Logli Massimo SpA, are to be given a suitable coating which the customer is responsible for applying. The customer shall discharge Logli Massimo SpA from any liability regarding any issues arising from the use of untreated materials. The customer also assumes all liability regarding the finish which it applies to the untreated profile.

Note: Galvanic corrosion: this is an issue which can arise at the interface between two different metals in the presence of an electrolyte (e.g. water, especially salt water). It involves an electrochemical process which causes the metal with the lowest electric potential to dissolve. In the most common combinations of metals, it is almost always aluminium which acts as the anode and therefore it corrodes. Obviously, this only occurs when the aluminium is untreated.

HANDLING AND CLEANING

Regular cleaning of the product is crucial for preserving the original appearance. In maritime and urban environments (polluting emissions in the atmosphere), it is recommended to clean the surfaces at least every three months. In relatively cleaner outdoor environments, the recommendation is to wash it every six months. For indoor installations, it is also recommended to clean the product at least once a year.

Wash with warm water and neutral detergent; use a soft cloth or a non-abrasive sponge. Rinse thoroughly with clean water. Dry with a soft cloth.

INDEX
VOLUME 2





| Art. | Page | Art. | Page | Art. | Page | Art. | Page | Art. | Page |
|----------------|------|-----------------|------|-----------------|------|-------------|------|-----------------|------|
| BARRAFIL-MIS | 71 | FLUIDOSX | 118 | PENG03.60 | 52 | PENLT03DX | 54 | SP60ALL12 | 126 |
| CANAL2513.150 | 71 | GC-CAV100 | 85 | PENGRY | 31 | PENLT03SX | 54 | SP60ALL15 | 126 |
| CANAL2513.200 | 71 | GC-CAV15KIT2 | 78 | PENKIT10 | 29 | PENLT05DX | 54 | SP60ALL16 | 126 |
| CANAL2513TP | 71 | GC-CAV15KIT3 | 82 | PENKIT15 | 29 | PENLT05SX | 54 | SP60ALL20 | 126 |
| CANAL2515.150 | 71 | GC-CAV300 | 85 | PENKIT20 | 28 | PENLT07DX | 54 | SPC1000 | 119 |
| CANAL2515.200 | 71 | GC-CAV30KIT2 | 78 | PENKIT30 | 28 | PENLT07SX | 54 | SPV1000 | 119 |
| CANAL2515TP | 71 | GC-CAV30KIT3 | 82 | PENL.15 | 51 | PENLT11DX | 55 | STR10 | 119 |
| CANAL2519.150 | 71 | GC-GZT130 | 85 | PENL.15FORO | 58 | PENLT11SX | 55 | STR12 | 119 |
| CANAL2519.200 | 71 | GC-PERN120 | 85 | PENL.20 | 51 | PENLT13DX | 55 | STR14 | 119 |
| CANAL2519TP | 71 | GC-PERN270 | 86 | PENL.20FORO | 58 | PENLT13SX | 55 | STR18 | 119 |
| CANAL2523.150 | 86 | GC-PEROUT162 | 84 | PENL.30 | 51 | PENLT15DX | 55 | STR8 | 119 |
| CANAL2523.200 | 86 | GC-ROT101 | 84 | PENL.30FORO | 58 | PENLT15SX | 55 | UT200 | 87 |
| CANAL2523TP | 86 | GC-ROT145 | 84 | PENL.60 | 51 | PENLT17DX | 55 | UT250 | 87 |
| CANAL2527.150 | 86 | GC-SNOD143 | 84 | PENL.60FORO | 58 | PENLT17SX | 55 | UT300 | 87 |
| CANAL2527.200 | 86 | GC-SNOD1510KIT2 | 76 | PENL.FORO | 58 | PENLT21DX | 56 | UTC200R | 87 |
| CANAL2527TP | 86 | GC-SNOD1510KIT3 | 80 | PENLCOV03.15 | 53 | PENLT21SX | 56 | UTC250R | 87 |
| CHSETT19 | 87 | GC-SNOD1512KIT2 | 77 | PENLCOV03.20 | 53 | PENLT23DX | 56 | UTC300R | 87 |
| CHSETT32 | 87 | GC-SNOD1512KIT3 | 81 | PENLCOV03.30 | 53 | PENLT23SX | 56 | W.650.010.300 | 106 |
| CL-CAV15KIT2 | 69 | GC-SNOD3010KIT2 | 76 | PENLCOV03.60 | 53 | PENLVIT | 57 | W.650.010.400 | 106 |
| CL-SNOD156KIT2 | 68 | GC-SNOD3010KIT3 | 80 | PENLCOV05.15 | 53 | PENP10 | 31 | W.650.010.600 | 106 |
| CL-SNOD158KIT2 | 68 | GC-SNOD3012KIT2 | 77 | PENLCOV05.20 | 53 | PENP15 | 31 | W.650.260 | 107 |
| DF25 | 57 | GC-SNOD3012KIT3 | 81 | PENLCOV05.30 | 53 | PENP20 | 31 | W.650.620 | 107 |
| DFFH10A4 | 59 | GC-TEND130 | 85 | PENLCOV05.60 | 53 | PENP30 | 31 | W.650.901 | 107 |
| DFFH10ZN | 59 | GCL15 | 70 | PENLCOV07.15 | 53 | PENT01 | 33 | W.651.023.300 | 104 |
| DFFH12A4 | 59 | GCL19 | 70 | PENLCOV07.20 | 53 | PENT03 | 33 | W.651.024.400 | 104 |
| DFFH12ZN | 59 | GCL21 | 70 | PENLCOV07.30 | 53 | PENT05 | 33 | W.651.025.600 | 104 |
| DFFLEX04 | 59 | GCL23 | 70 | PENLCOV07.60 | 53 | PENTAGLIO | 33 | W.651.033.300 | 105 |
| DFFLEX06 | 58 | HAND13040VHB | 108 | PENLGNKT | 57 | POOL50C | 111 | W.651.034.400 | 105 |
| DFFLEX07 | 59 | LED24035IP | 61 | PENLGRY | 51 | POOL50SQ | 111 | W.651.035.600 | 105 |
| DFMAK21 | 58 | LED24060IP | 61 | PENLGRYKIT5 | 51 | PROALUXG | 71 | W.651.220 | 106 |
| DFP88G01 | 32 | LED24100IP | 61 | PENLKIT1010.15 | 43 | PROALUXG400 | 71 | W.651.230 | 106 |
| DFP88G01.03 | 32 | LED24150IP | 61 | PENLKIT1010.20 | 43 | ROT02 | 128 | W.651.251 | 107 |
| DFP88G01.60 | 32 | LEDST001 | 61 | PENLKIT1010.30 | 42 | ROT02D | 129 | W.651.256 | 107 |
| DFPG03 | 52 | LEDST002 | 61 | PENLKIT1010.60 | 42 | SP01 | 127 | W.651.263 | 108 |
| DFPG03.03 | 52 | LMU11.15 | 57 | PENLKIT88.15 | 41 | SP03 | 127 | W.651.264 | 108 |
| DFPG03.60 | 52 | LMU11.20 | 57 | PENLKIT88.20 | 41 | SP051 | 127 | W.651.265 | 108 |
| DFPG82 | 52 | LMU11.30 | 57 | PENLKIT88.30 | 40 | SP073000 | 127 | W.651.273 | 108 |
| DFPG82.03 | 52 | METAP250 | 56 | PENLKIT88.60 | 40 | SP2201 | 121 | W.651.274 | 108 |
| DFPG82.60 | 52 | PENALU.15 | 53 | PENLKITL1010.15 | 49 | SP2202 | 121 | W.651.275 | 108 |
| DW895NE | 88 | PENALU.20 | 53 | PENLKITL1010.20 | 49 | SP2203 | 122 | W.651.520.250 | 106 |
| FLUIDO1 | 117 | PENALU.30 | 53 | PENLKITL1010.30 | 48 | SP2204 | 122 | W.651.520.500 | 106 |
| FLUIDO100 | 116 | PENALU.60 | 53 | PENLKITL1010.60 | 48 | SP2205 | 123 | W.ATR803VDX.300 | 98 |
| FLUIDO180 | 115 | PENC01SIAEST | 31 | PENLKITL88.15 | 47 | SP2206 | 123 | W.ATR803VSX.300 | 98 |
| FLUIDO2 | 117 | PENCH | 32 | PENLKITL88.20 | 47 | SP220L01 | 124 | W.ATR804VDX.400 | 100 |
| FLUIDO270 | 114 | PENG01 | 32 | PENLKITL88.30 | 46 | SP220L02 | 124 | W.ATR804VSX.400 | 100 |
| FLUIDO360 | 114 | PENG01.60 | 32 | PENLKITL88.60 | 46 | SP220L03 | 125 | W.ATR805VDX.600 | 102 |
| FLUIDO45 | 116 | PENG03 | 32 | PENLSC | 56 | SP220L04 | 125 | W.ATR805VSX.600 | 102 |
| FLUIDO90 | 115 | PENG03 | 52 | PENLT01DX | 54 | SP220Z | 126 | | |
| FLUIDODX | 118 | PENG03.60 | 32 | PENLT01SX | 54 | SP220Z04 | 126 | | |

The information provided is for information purposes only.
Logli Massimo SpA reserves the right to make changes of any
nature at any time to one or more products, or to cease their production.
The General Terms of Sale can be found in the catalogue.



Logli Massimo S.p.A
Via Chemnitz, 49/51
59100 Prato - Italy
www.sg-logli.it

