

SYSTEMS FOR GLASS PARTITIONS



LOGLI
MASSIMO®
glass system technology

NEWS



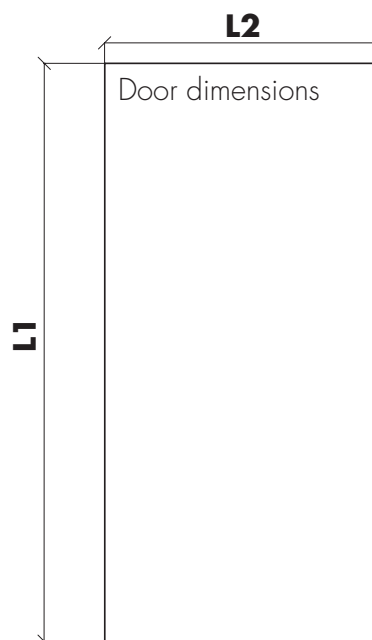
COMPLETE KIT FOR ONE DOOR

Finish: matt aluminium, brushed-steel-effect aluminium

Fixed glass thickness [mm]	Door glass thickness [mm]	
	From 8 to 10	From 10.76 to 13.52
8	PDKIT01	PDKIT09
8,76	PDKIT01	PDKIT09
10	PDKIT02	PDKIT10
10,76	PDKIT02	PDKIT10
11,52	PDKIT03	PDKIT11
12	PDKIT04	PDKIT12
12,76	PDKIT05	PDKIT13
13,52	PDKIT06	PDKIT14
16,76	PDKIT07	PDKIT15
17,52	PDKIT07	PDKIT15
20,76	PDKIT08	PDKIT16
20,52	PDKIT08	PDKIT16

Cross the fixed glass thickness with the door glass one to find out the exact code KIT to order.

Cut to measure - information



L1 = _____ [mm]

L2 = _____ [mm]

The suggested kits fit the dimensions **(2xL1 + L2)** less than or equal to 5800mm

Customized solutions
in case of dimensions higher than 5800mm

The length calculation of the profiles is made according to the space (with the door in its complete closing position)

between intrados and glass sash: 5 mm between glass bottom edge and ground, 4 mm to the other three sides.

All the dimensioning are made according the CER4AL hinges measures, which can be consulted on the LogliMassimo catalogue.

Example:

Door glass thickness: 10mm

Fixed glass thickness: 13.52mm

L1 = 2300mm

L2 = 900mm

Finish: matt aluminium

1) Dimensions check ($2 \times L1 + L2 < 5800$ mm)

$$2 \times 2300\text{mm} + 900\text{mm} = 5500\text{mm}$$

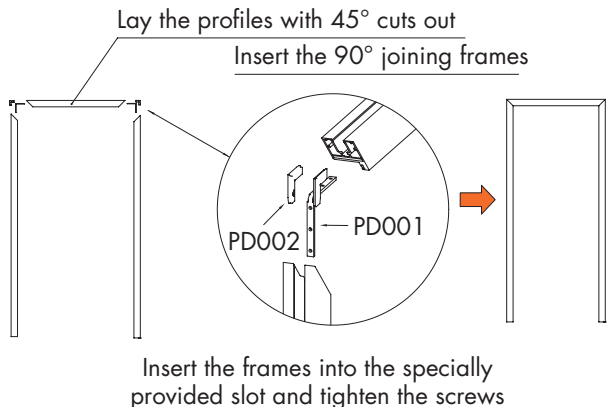
The dimension is **less than 5800 mm**; it is therefore possible to choose the proper kit from the standard kits table.

2) According to the standard kits table, the right code to be ordered is **PDKIT06**

The request has to be forwarded with the following indications:

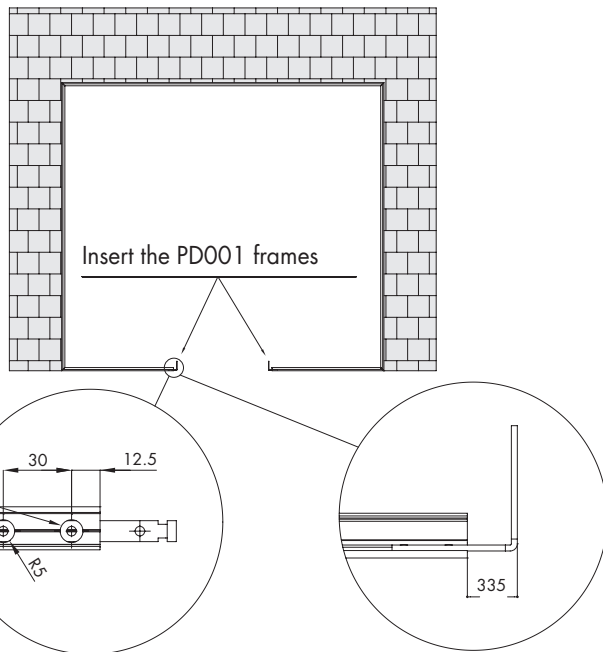
PDKIT06/97 - L1 = 2300mm - L2 = 900mm

Step 1: Set the door frame

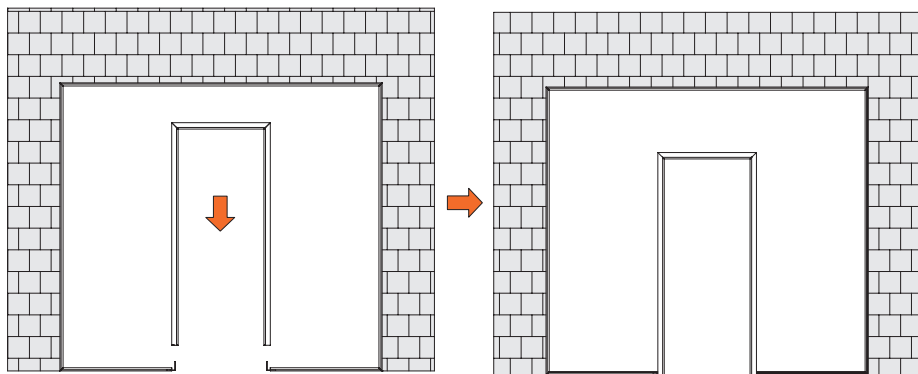


NOTE: make the Ø10 mm holes on the Profix profiles to tighten the frames' screws.

Step 2: Fix the Profix profile

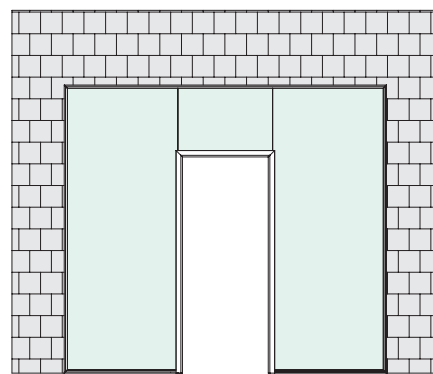


Step 3: Insert the pre-fitted intrados onto the profix



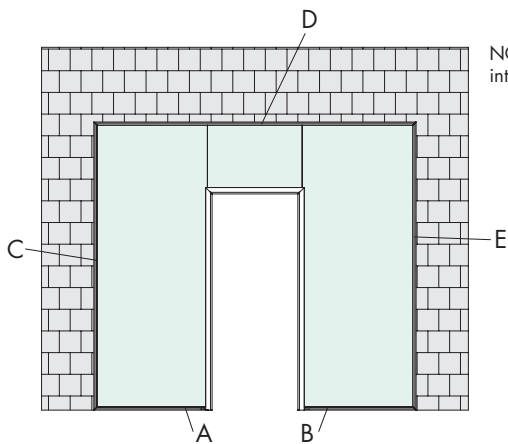
Insert the door intrados into the frames (previously screwed on the profix) and tighten the screws.

Step 4: Insert the glasses

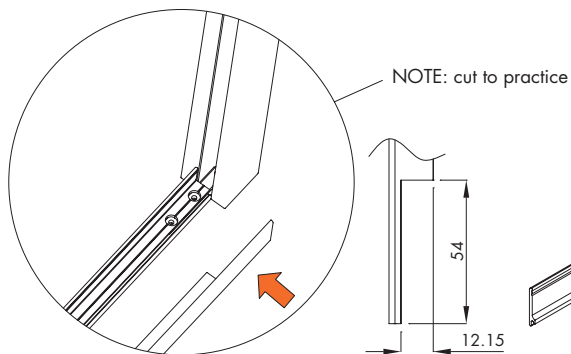


Insert the glasses into the intrados' framework.

Step 5: Insert the closing profiles to the Profix A,B,C,D,E



NOTE: for the Profix frontal closing profiles next to the intrados A and B, cut the flap as shown in the picture



Fix the frontal closing side of the Profix A, B, C, D, E

Step 6: Fix the glass

Complete the installation by fixing the glass using the silicone profiles of the UP series - to be inserted all along the outline of Profix and Profixdoor.



LOGLI MASSIMO SpA
Via Chemnitz, 49/51 - 59100 Prato - Italy
Tel. +39.0574.701035 Fax +39.0574.527574
www.loglimassimo.it - info@loglimassimo.it

SPONSOR



Fornitore Ufficiale

ASSOCIATED PARTNERS



Qualanod



SOCIOLINI