



FOCUS ON PRODUCTS AND SOLUTIONS

LIBRA & LIBRA mini

Hinges for shower cubicles and glass doors

LIBRA

Hinges for shower cubicles and glass doors

Innovation means being forward-thinking and not letting difficulties hold you back. It means developing solutions that anticipate requirements and provide answers before questions are asked. Our products are always designed and manufactured with the utmost care and attention to detail.

Modern and Innovative

LIBRA is made from a high-performance aluminum-zinc alloy. All mechanical processing is carried out using multi-axis CNC machines. LIBRA is tested for resistance to high temperatures. Suitable for saunas.

Eco-friendly Finishes

Surface treatments using environmentally friendly processes. State-of-the-art technologies were used for the surface treatments to reduce the environmental impact and make the treated parts sustainable.

Tested Durability

Exceeds endurance tests with over 100,000 opening and closing cycles. Corrosion resistance test (salt spray test) without the occurrence of rust.



Strengths

- No screws, adhesives and/or sealants required to secure the glass
- Maximum load capacity of the door: 100 kg (2 hinges)
- Maximum door width: 1200 mm (2 hinges)
- Easy door adjustment
- Flexibility in hinge positioning
- Mounting on the glass in less than a minute
- Use of toughened, laminated or toughened/laminated glass
- Designed and manufactured in Italy
- Adjustment of closing snap position $\pm 1.5^\circ$
- Opening only to pull



/1
Chrome



/24
Brushed steel effect



/R2
RAL9005 matt black



LIBRA and LIBRA mini are based on a simple, innovative and patented fastening system consisting of only two components. This innovative system prevents any slipping of the glass, even with very heavy weights.

Adjustable zero position of the door $\pm 1.5^\circ$





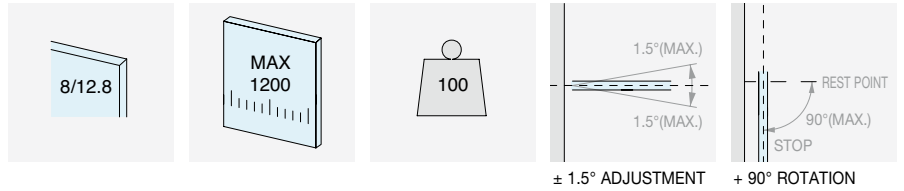
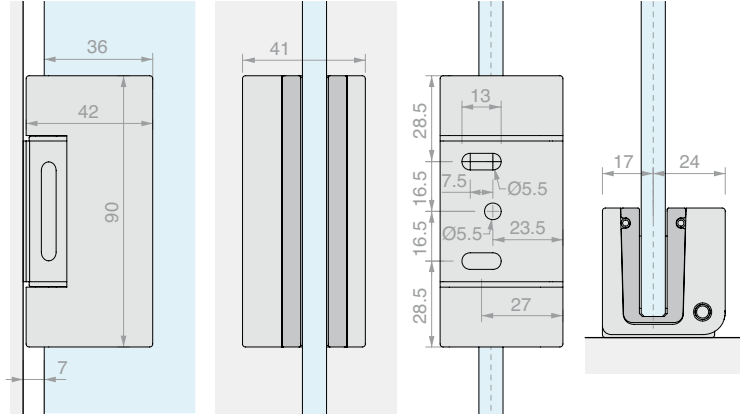


HINGE BODY LIBRA GLASS/WALL 90°

Material: aluminium-zinc alloy

Finish: /1 /24 /R2

**Note: The hinge body is supplied without the seal carrier.
This item must be ordered separately.**



Art.	For glass	Qty
LIBRA40	From 8 to 12.8 mm - Depending on the seal carrier combined with the hinge	1 Pc

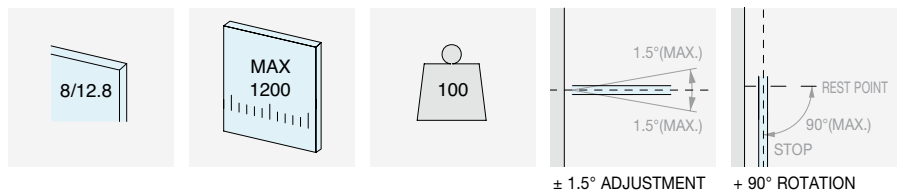
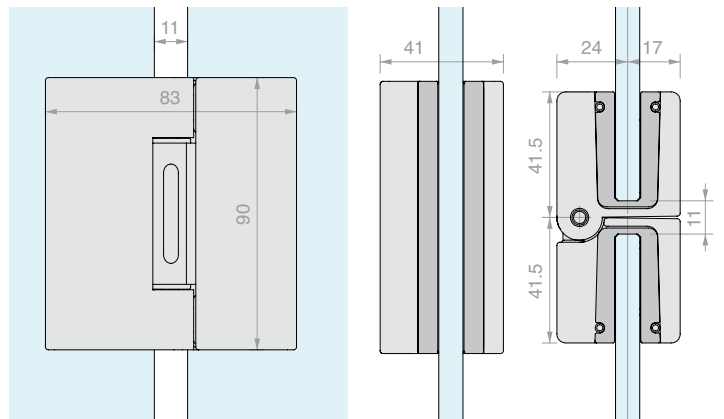


HINGE BODY LIBRA GLASS/GLASS 180°

Material: aluminium-zinc alloy

Finish: /1 /24 /R2

**Note: The hinge body is supplied without the seal carrier.
This item must be ordered separately.**



Art.	For glass	Qty
LIBRA480	From 8 to 12.8 mm - Depending on the seal carrier combined with the hinge	1 Pc



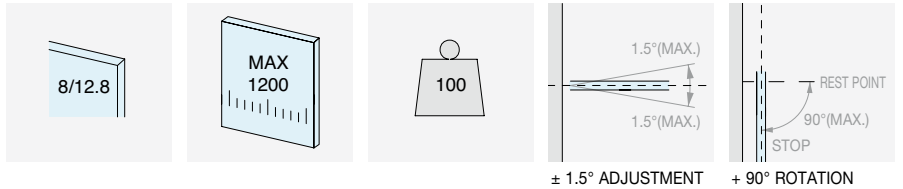
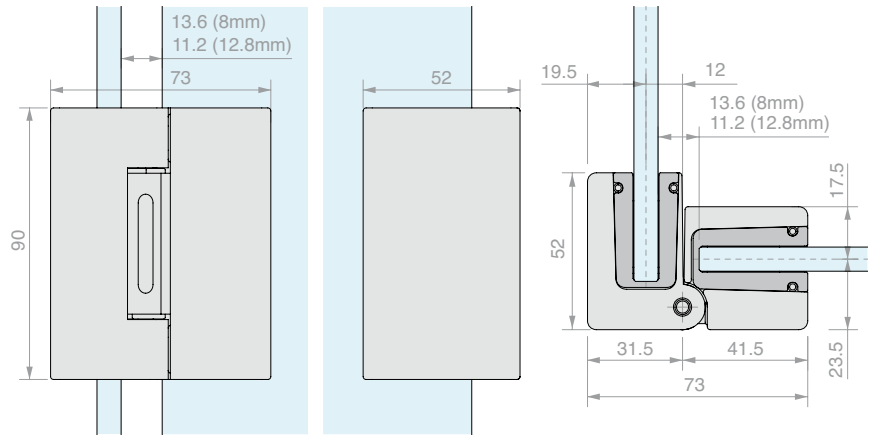
HINGE BODY LIBRA GLASS/GLASS 90°

Material: aluminium-zinc alloy

Finish: /1 /24 /R2

Note: The hinge body is supplied without the seal carrier.

This item must be ordered separately.



± 1.5° ADJUSTMENT + 90° ROTATION

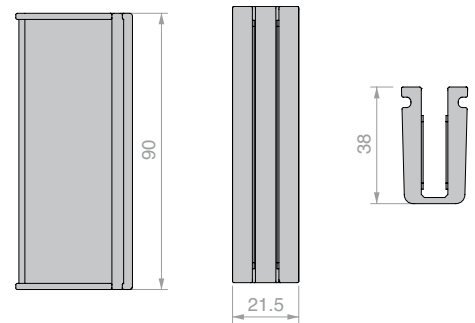
Art.	For glass	Qty
LIBRA490	From 8 to 12.8 mm - Depending on the seal carrier combined with the hinge	1 Pc



LIBRA SEAL CARRIER

Material: EPDM

Colour: grey



Art.	For glass	Qty
LIBRA08	8 mm ± 0.3 mm	1 Pc
LIBRA010	10 mm ± 0.3 mm	1 Pc
LIBRA0108	10.8 mm ± 0.3 mm	1 Pc
LIBRA012	12 mm ± 0.3 mm	1 Pc
LIBRA0125	12.5 mm ± 0.3 mm	1 Pc

LIBRA mini

Hinges for shower cubicles and glass doors

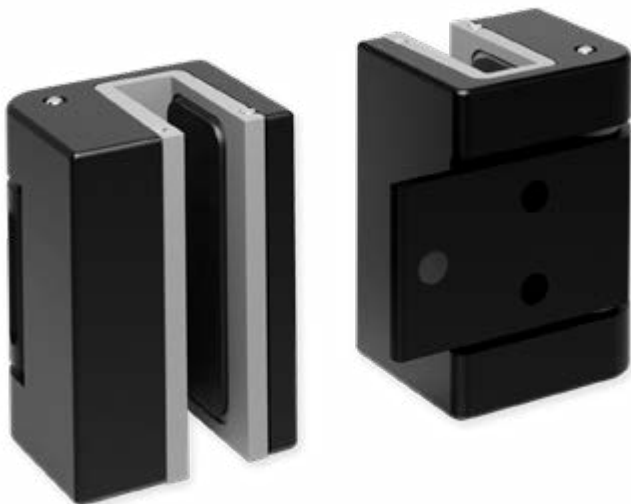
Designed for hinged shower enclosure doors and glass doors in general. LIBRA mini stands out thanks to its compact dimensions and high performance. Despite its small size, two hinges can support glass doors weighing up to 40 kg. Like its “big brother” LIBRA, it requires no glass processing, has no visible screws, is quick to install and guarantees a high load-bearing capacity.

It is particularly suitable for:

Cabinets, walk-in wardrobes, furniture, kitchen cabinets, glass furniture in general, and doors for showers and bathtubs. Quick installation is made easier by the fact that the doors do not require any special processing. Suitable for 6-8 mm thick tempered or laminated glass

Surfaces with environmentally friendly treatments

State-of-the-art technologies have been used for the surface treatments to reduce the environmental impact and make the treated parts sustainable.



Strengths

- No screws, adhesives and/or sealants required to fix the glass
- Maximum door load capacity: 40 kg (2 hinges)
- Maximum door width: 900 mm (2 hinges)
- Easy door adjustment
- Flexibility in hinge positioning
- Installation on glass in less than a minute
- Suitable for 6-8 mm thick tempered or laminated glass
- Designed and manufactured in Italy
- Opening only to pull



/1
Chrome



/24
Brushed steel effect



/R2
RAL9005 matt black





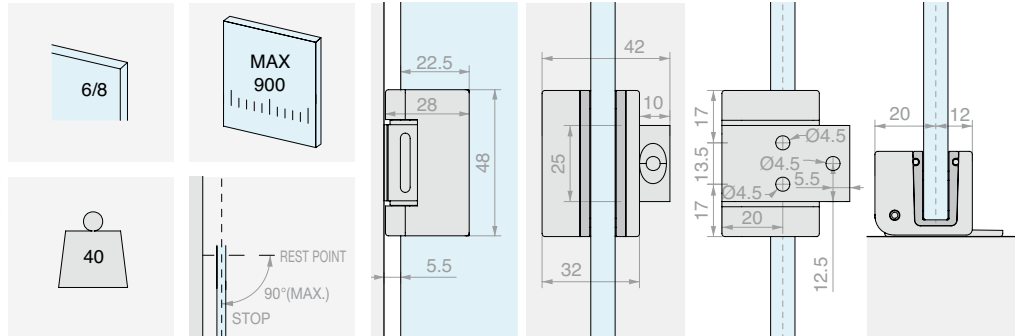
BAND BODY LIBRA MINI GLASS/WALL 90°

Material: Aluminium alloy

Finish: /1 /24 /R2

Note: The hinge body is supplied without the seal carrier.

This item must be ordered separately.



+ 90° ROTATION

Art.
LIBRAMN30

For glass
6 - 8 mm - Depending on the seal carrier combined with the hinge

Qty
1 Pc



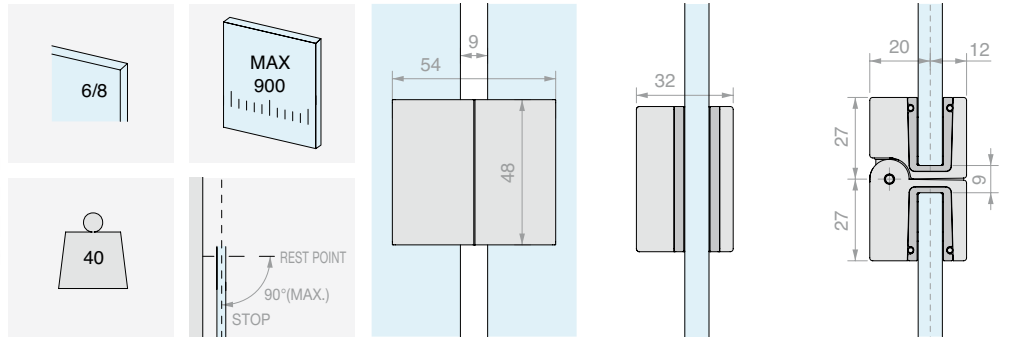
HINGE BODY LIBRA MINI GLASS/GLASS 180°

Material: Aluminium alloy

Finish: /1 /24 /R2

Note: The hinge body is supplied without the seal carrier.

This item must be ordered separately.

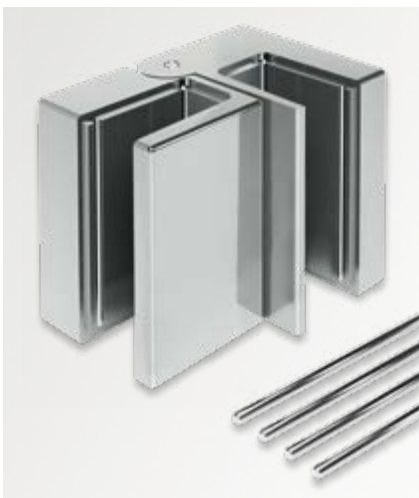


+ 90° ROTATION

Art.
LIBRAMN380

For glass
6 - 8 mm - Depending on the seal carrier combined with the hinge

Qty
1 Pc



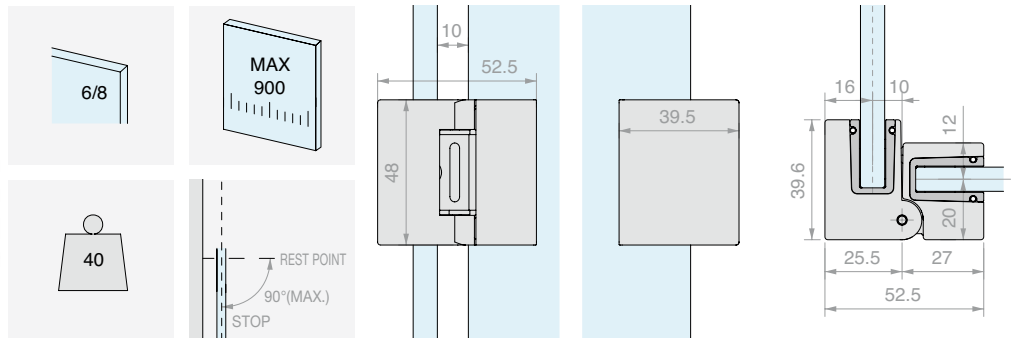
HINGE BODY LIBRA MINI GLASS/GLASS 90°

Material: Aluminium alloy

Finish: /1 /24 /R2

Note: The hinge body is supplied without the seal carrier.

This item must be ordered separately.



+ 90° ROTATION

Art.
LIBRAMN390

For glass
6 - 8 mm - Depending on the seal carrier combined with the hinge

Qty
1 Pc

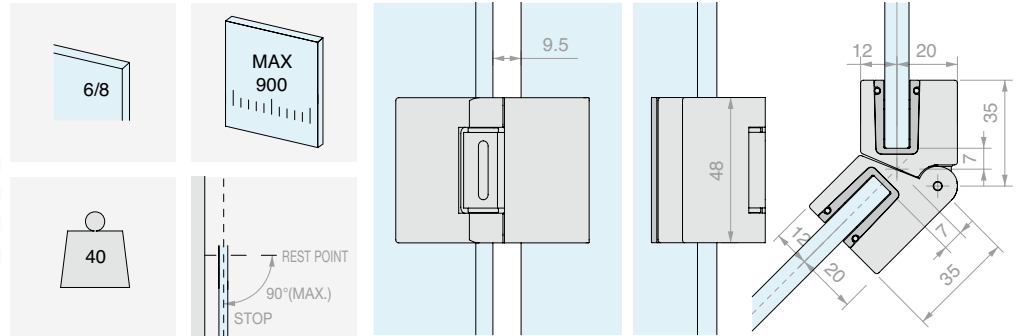


HINGE BODY LIBRA MINI GLASS/GLASS 135°

Material: Aluminium alloy Finish: /1 /24 /R2

Note: The hinge body is supplied without the seal carrier.

This item must be ordered separately.



+ 90° ROTATION

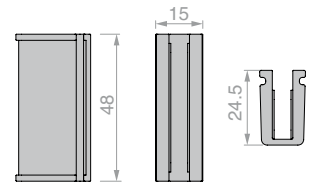
Art.	For glass	Qty
LIBRAMN3135	6 - 8 mm - Depending on the seal carrier combined with the hinge	1 Pc



LIBRA MINI SEAL CARRIER

Material: EPDM

Colour: grey



Art.	For glass	Qty
LIBRAMN06	6 mm ± 0.3 mm	1 Pc
LIBRAMN08	8 mm ± 0.3 mm	1 Pc



The information provided is for explanatory purposes only. Saint-Gobain Logli S.r.l. reserves the right to make changes of any kind to one or more products at any time and without prior notice, as well as to discontinue their production.

The general terms and conditions of sale are available in the general price list.



SAINT-GOBAIN LOGLI S.R.L.

Via Chemnitz, 49/51

59100 Prato - Italy

www.sg-logli.it

info.logli@saint-gobain.com