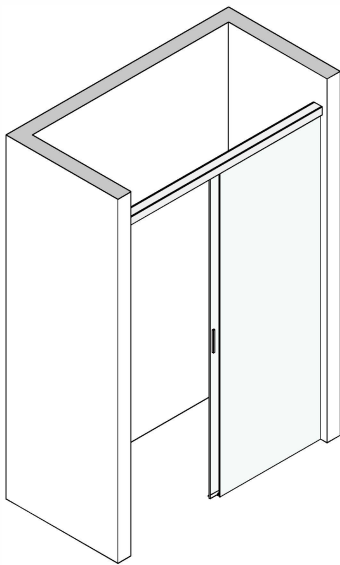
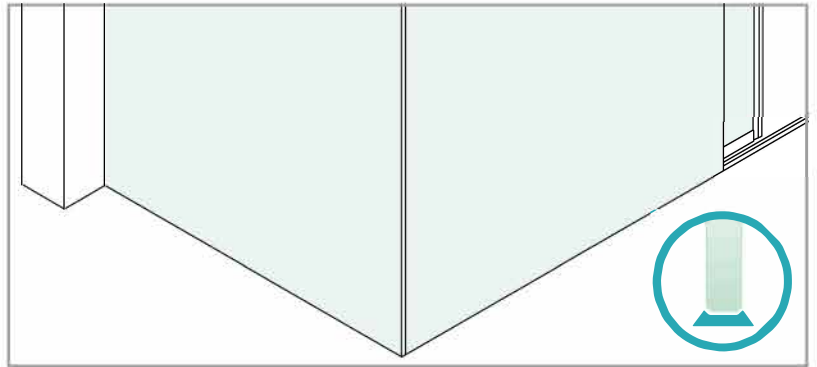


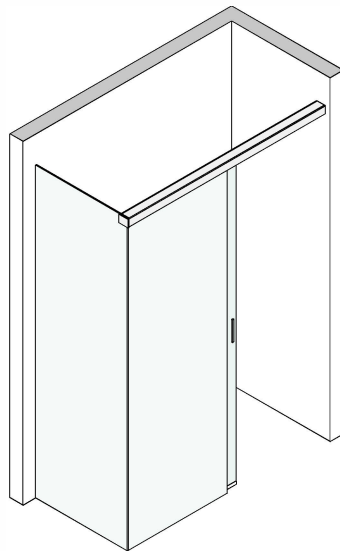
GOC CIA50 S

ISTRUZIONI DI MONTAGGIO
ASSEMBLY INSTRUCTIONS
INSTRUCTIONS DE MONTAGE

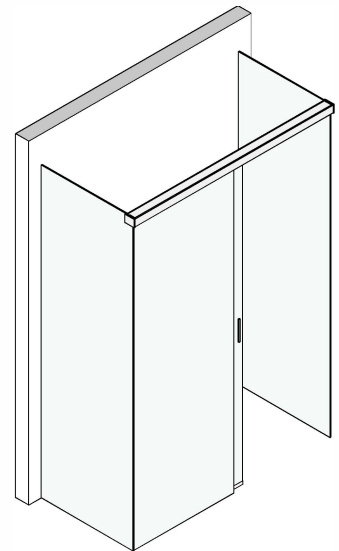
rev. 5.0



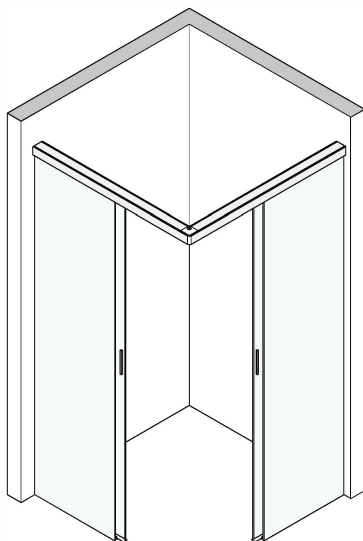
G50S10



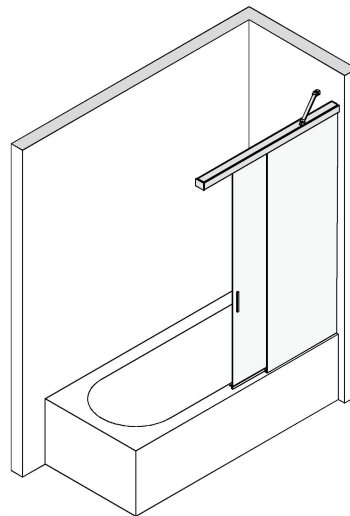
G50S20



G50S30



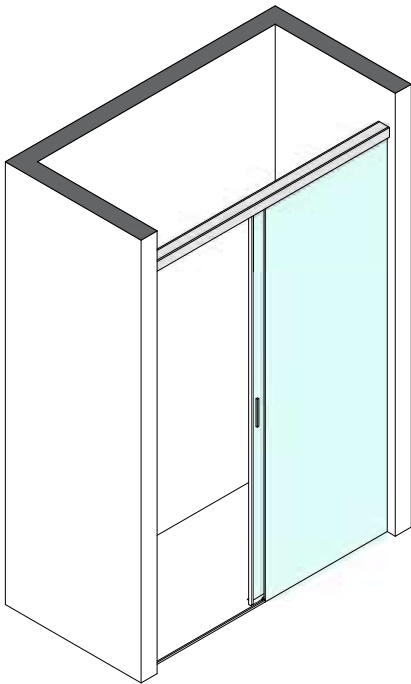
G50S40



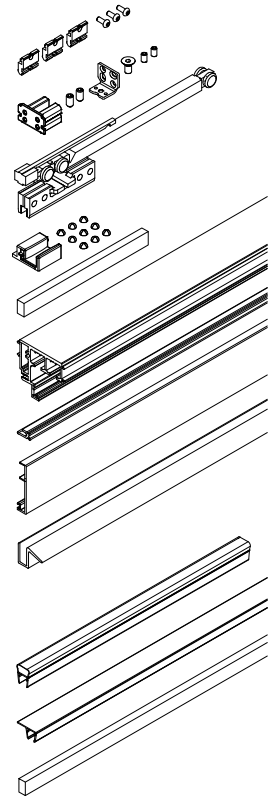
G50S50



G50S10



| | | |
|----------|--------------|-------|
| (2) | G50KIT02 | 1 Kit |
| (3) | G50KIT03 | 2 Kit |
| (1) | G50KIT01 | 2 Kit |
| (8) | DCS108 | 1 Pz |
| (9) | MAN500V150 | 2 Pz |
| (10) | LM5859 | 1 Pz |
| (11) | 057.3078.002 | 3 m |
| (12) | LM0859 | 2 Pz |
| (20) | GM900807 | 1 Pz |
| OPTIONAL | | |
| (13) | GM06 | 1 Pz |
| (14) | GM1410 | 1 Pz |
| (21) | PESQ0810 | 1 Pz |

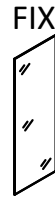


L (max 1500 mm)
H (max 2247 mm)



$$L_g = (L_V + 38) / 2$$

$$H_g = H - 46$$

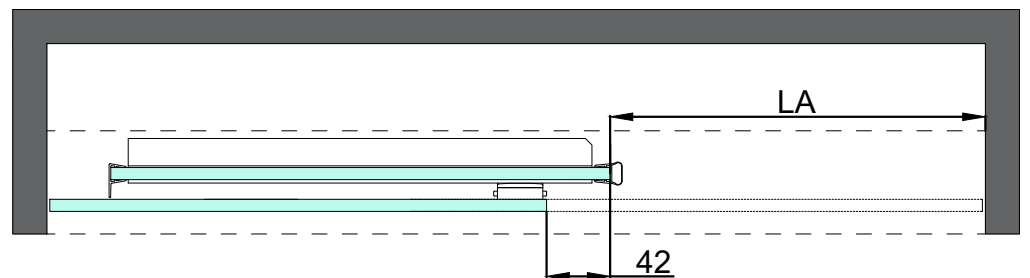
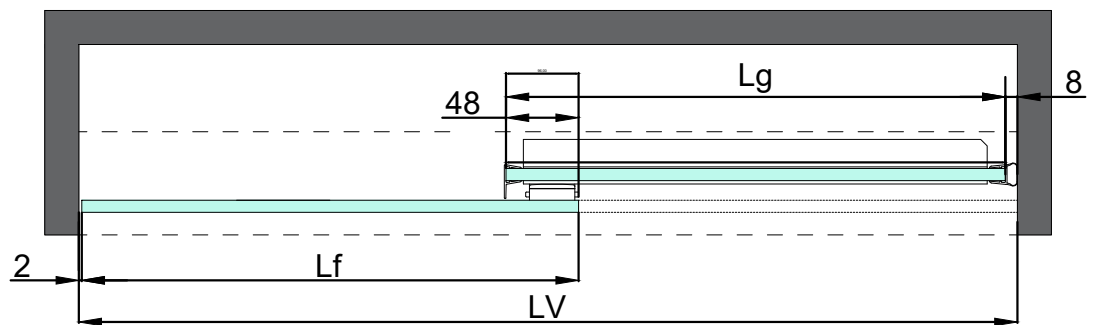
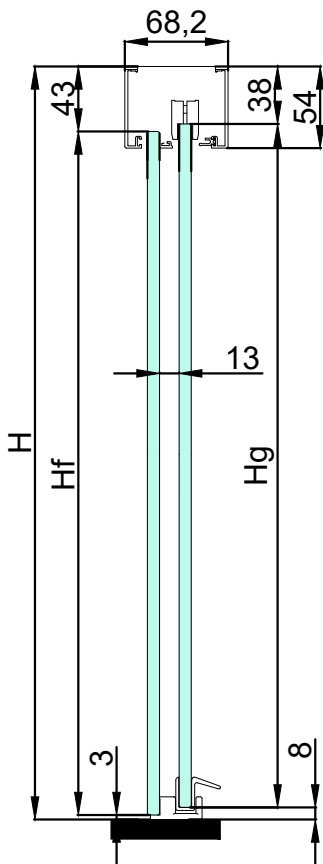


$$L_f = L_g$$

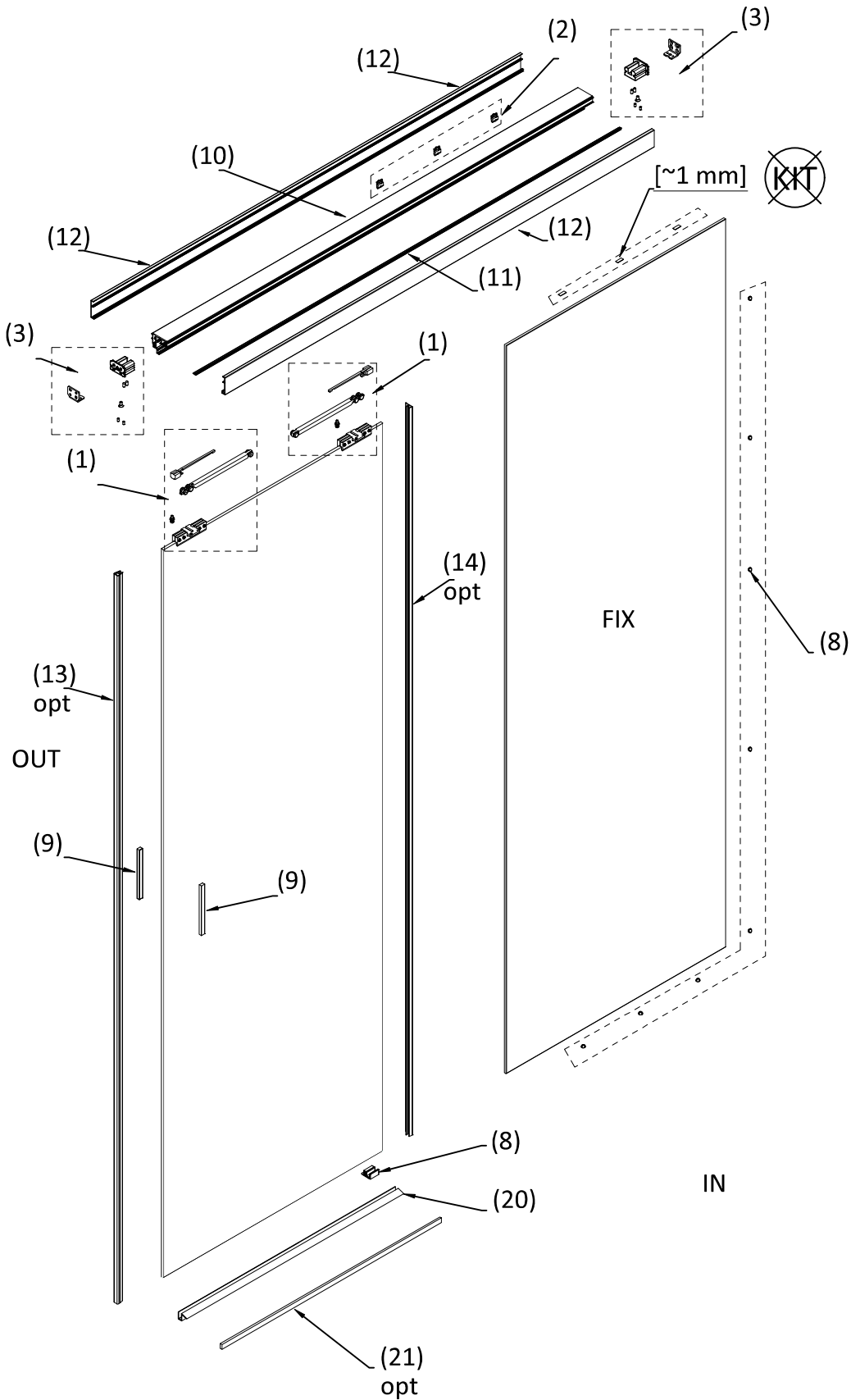
$$H_f = H_g$$



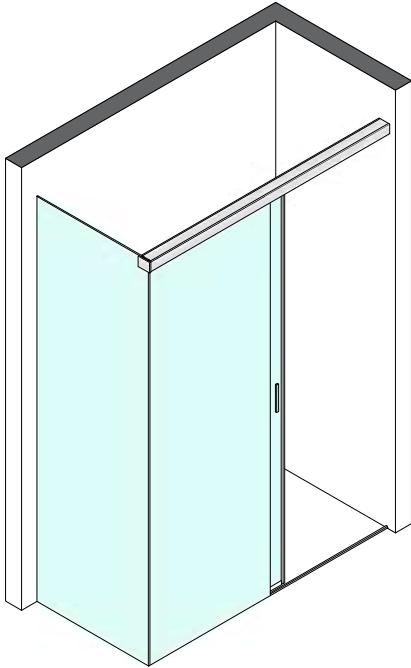
$$L_A = (L_V - 126) / 2$$



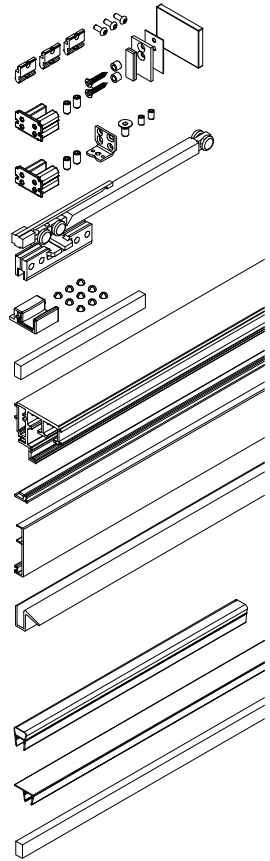
(mm)



G50S20



| | | |
|----------|--------------|-------|
| (2) | G50KIT02 | 1 Kit |
| (4) | G50KIT04 | 1 Kit |
| (3) | G50KIT03 | 2 Kit |
| (1) | G50KIT01 | 2 Kit |
| (8) | DCS108 | 1 Pz |
| (9) | MAN500V150 | 2 Pz |
| (10) | LM5859 | 1 Pz |
| (11) | 057.3078.002 | 3 m |
| (12) | LM0859 | 2 Pz |
| (20) | GM900807 | 1 Pz |
| OPTIONAL | | |
| (13) | GM06 | 1 Pz |
| (14) | GM1410 | 1 Pz |
| (21) | PESQ0810 | 1 Pz |

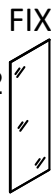


L (max 1496 mm)
H (max 2247 mm)



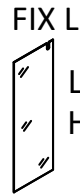
$$L_g = (L_V + 30) / 2$$

$$H_g = H - 46$$



$$L_f = L_g$$

$$H_f = H_g$$

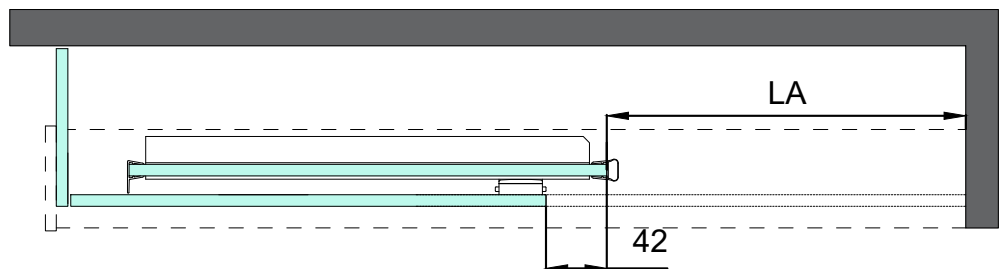
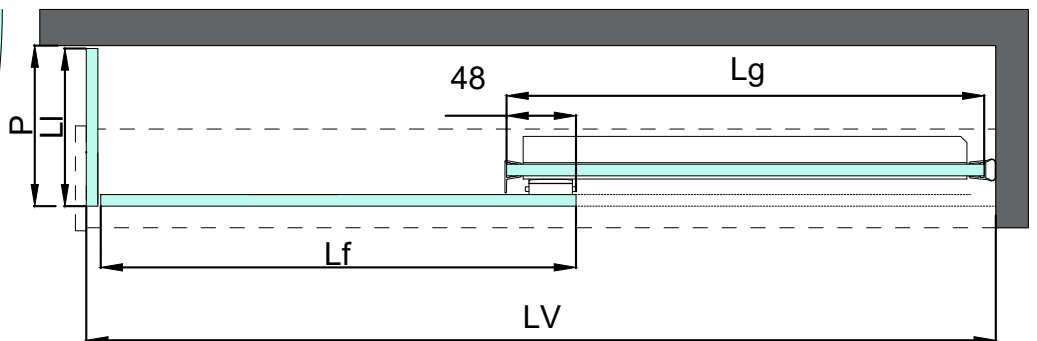
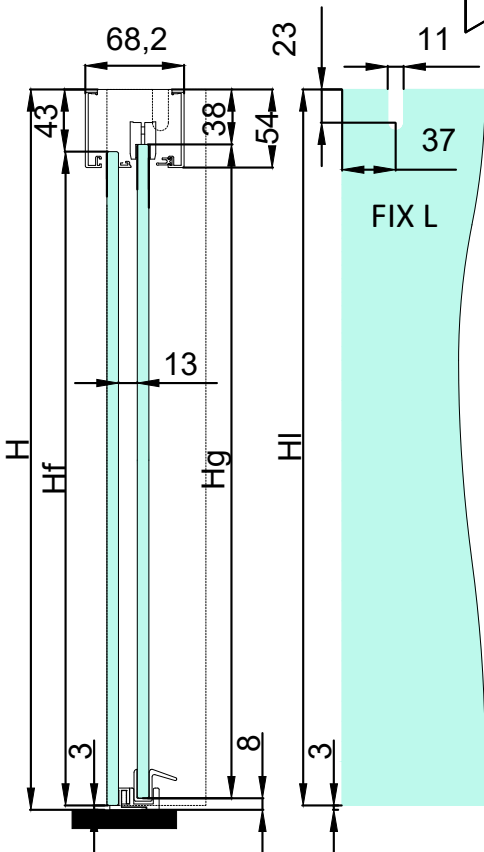


$$L_I = P - 2$$

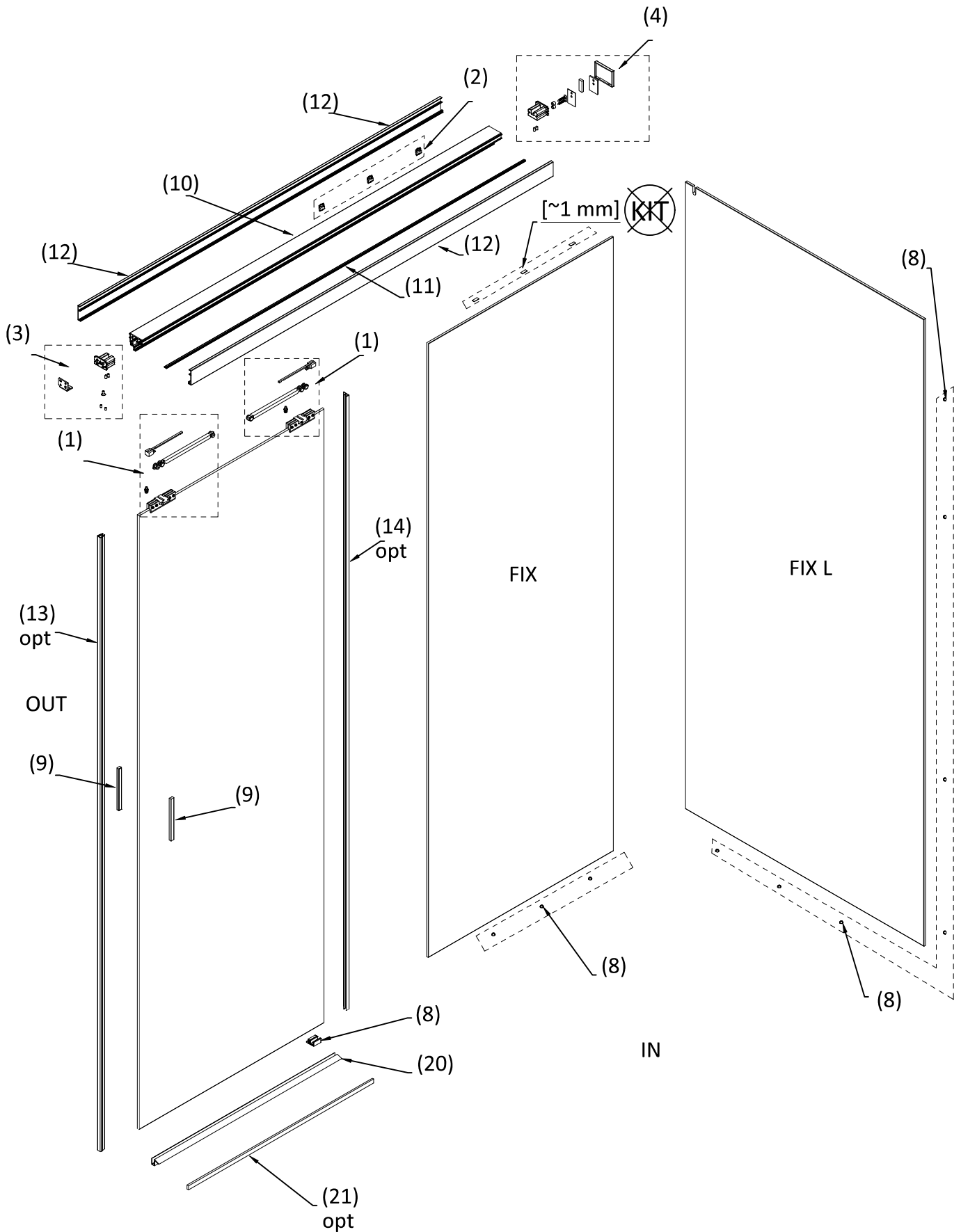
$$H_I = H - 3$$



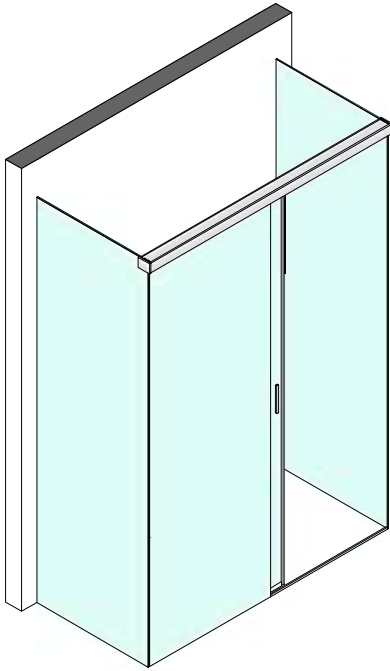
$$L_A = (L_V - 134) / 2$$



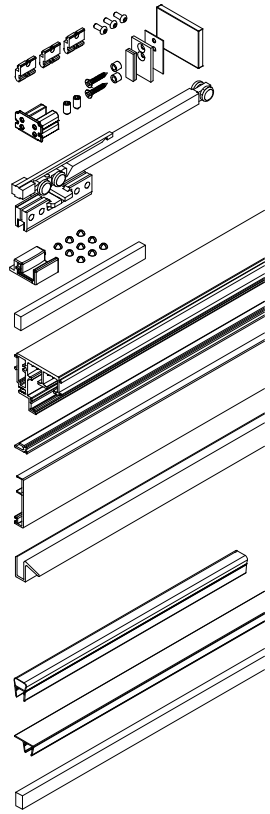
(mm)



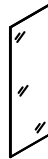
G50S30



| | | |
|----------|--------------|-------|
| (2) | G50KIT02 | 1 Kit |
| (4) | G50KIT04 | 1 Kit |
| (1) | G50KIT01 | 2 Kit |
| (8) | DCS108 | 1 Pz |
| (9) | MAN500V150 | 2 Pz |
| (10) | LM5859 | 1 Pz |
| (11) | 057.3078.002 | 3 m |
| (12) | LM0859 | 2 Pz |
| (20) | GM900807 | 1 Pz |
| OPTIONAL | | |
| (13) | GM06 | 1 Pz |
| (14) | GM1410 | 1 Pz |
| (21) | PESQ0810 | 1 Pz |



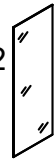
L (max 1494 mm)
H (max 2247 mm)



$$L_g = (L_V + 22) / 2$$

$$H_g = H - 46$$

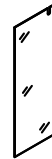
FIX



$$L_f = L_g$$

$$H_f = H_g$$

FIX L

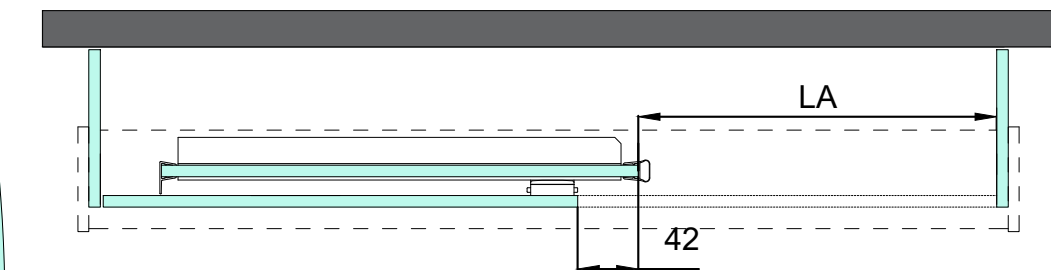
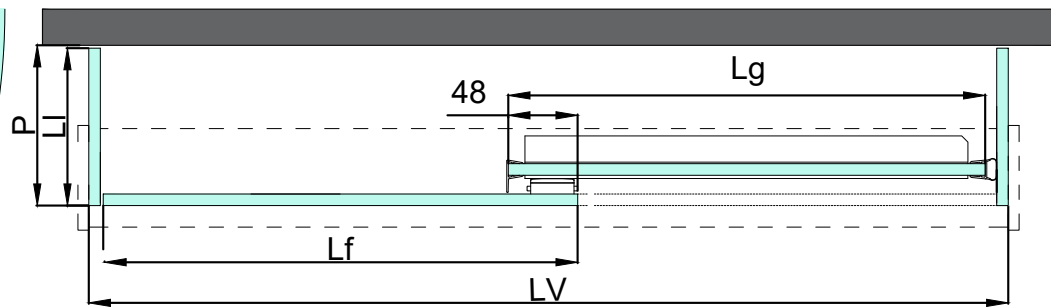
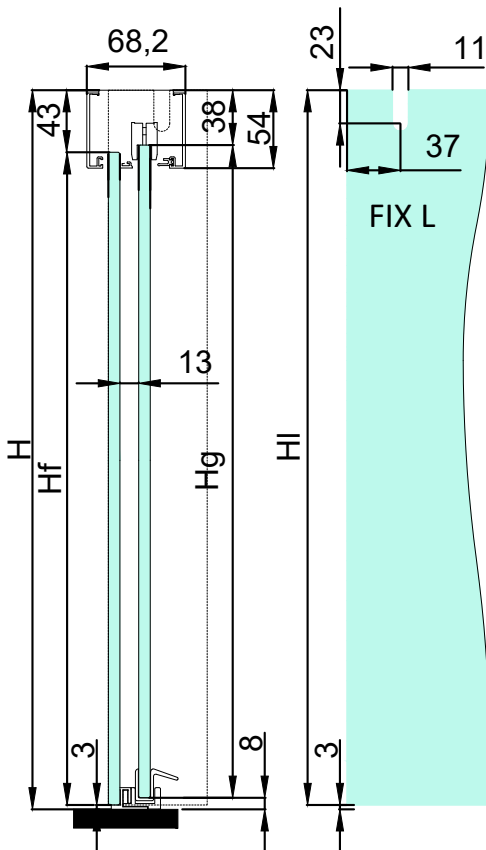


$$L_I = P - 2$$

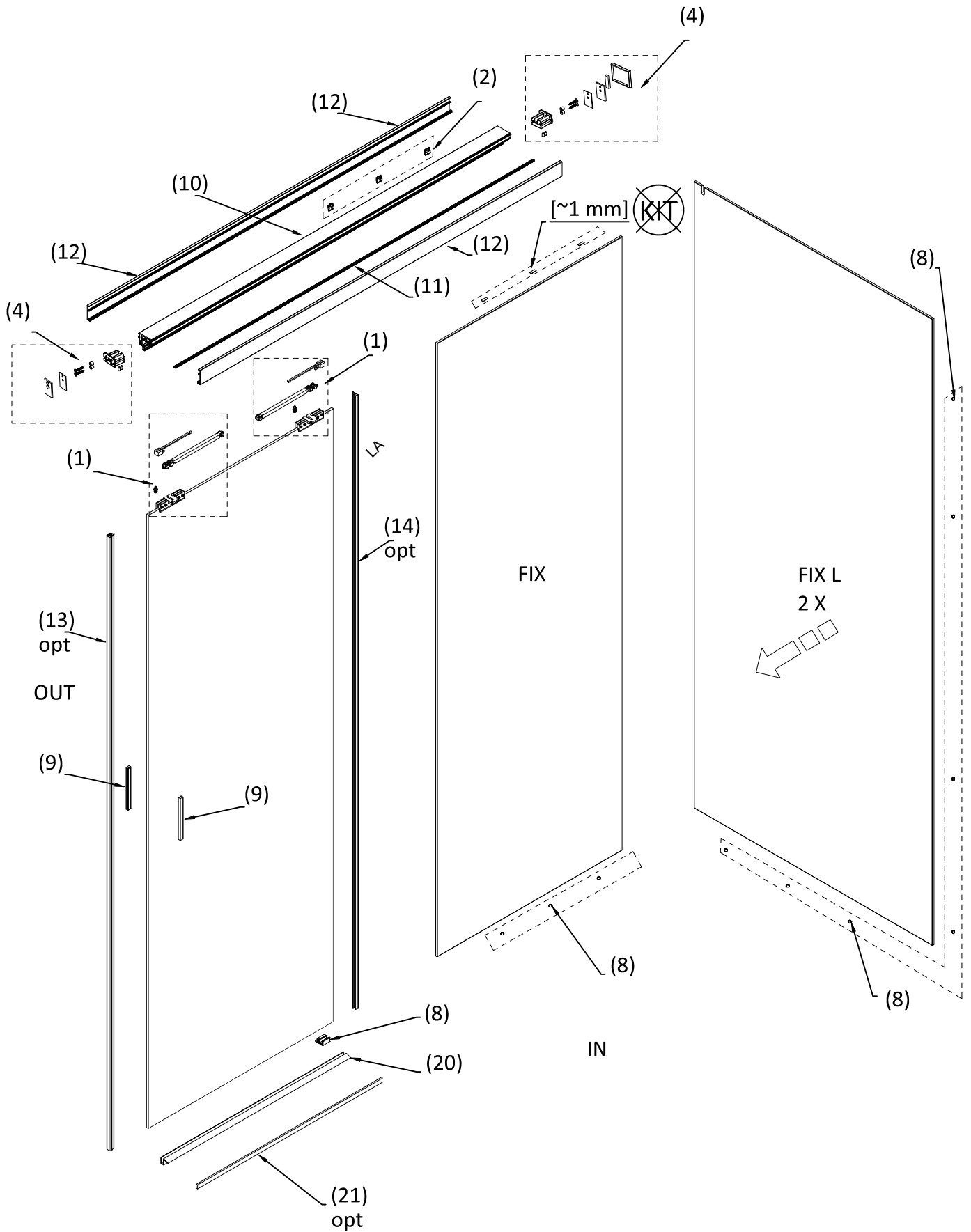
$$H_I = H - 3$$



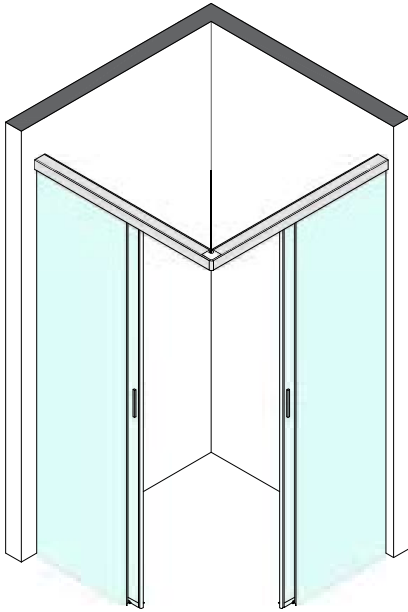
$$L_A = (L_V - 142) / 2$$



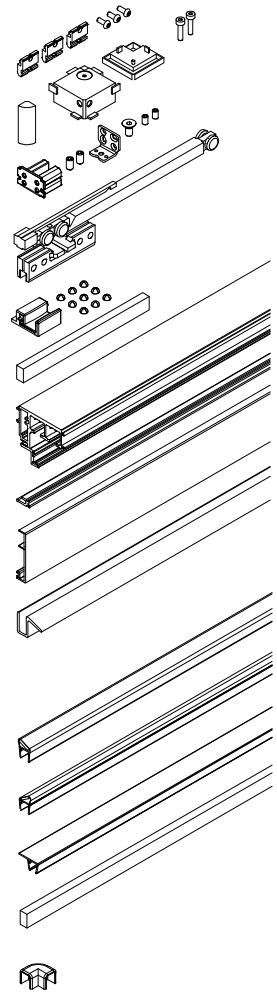
(mm)



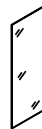
G50S40



| | | |
|----------|--------------|-------|
| (2) | G50KIT02 | 2 Kit |
| (5) | G50KIT05 | 1 Kit |
| (3) | G50KIT03 | 2 Kit |
| (1) | G50KIT01 | 4 Kit |
| (8) | DCS108 | 2 Pz |
| (9) | MAN500V150 | 4 Pz |
| (10) | LM5859 | 2 Pz |
| (11) | 057.3078.002 | 6 m |
| (12) | LM0859 | 4 Pz |
| (20) | GM900807 | 2 Pz |
| OPTIONAL | | |
| (23) | GM15DX | 1 Pz |
| (23) | GM15SX | 1 Pz |
| (14) | GM0141022 | 2 Pz |
| (21) | PESQ0810 | 2 Pz |
| (25) | RA9008 | 1 Pz |



L (max 994 mm)
H (max 2247 mm)



$$L_g = (L_V + 12) / 2$$

$$H_g = H - 46$$

FIX

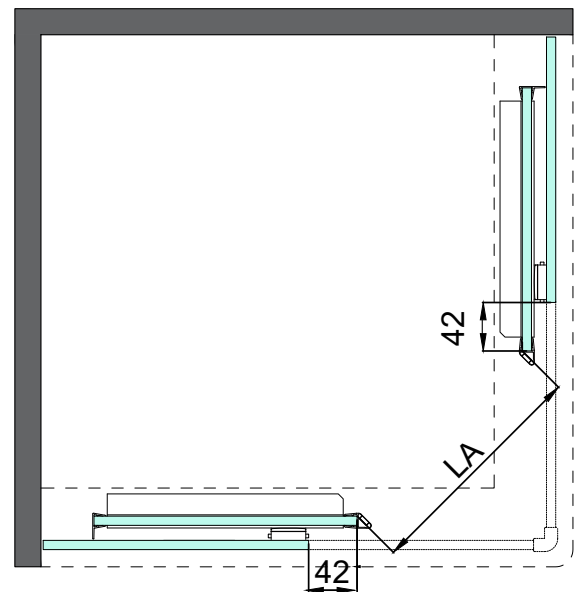
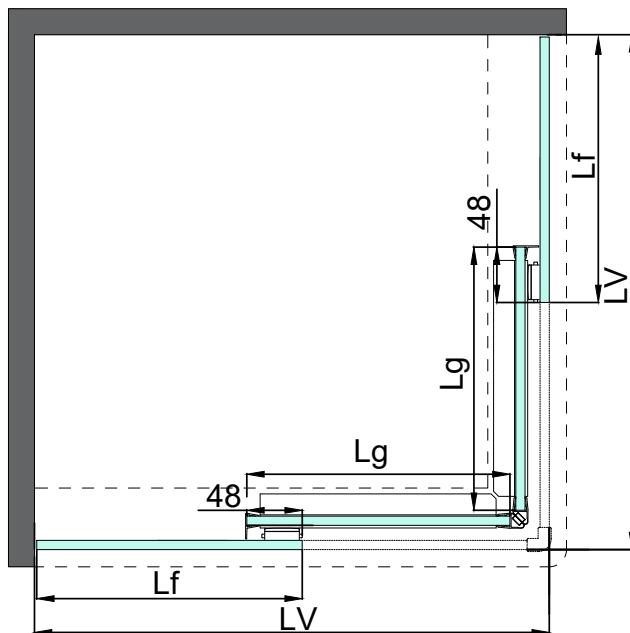
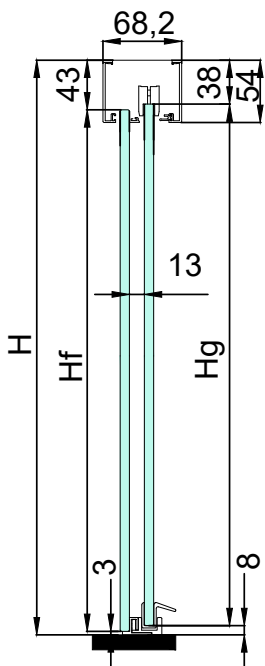


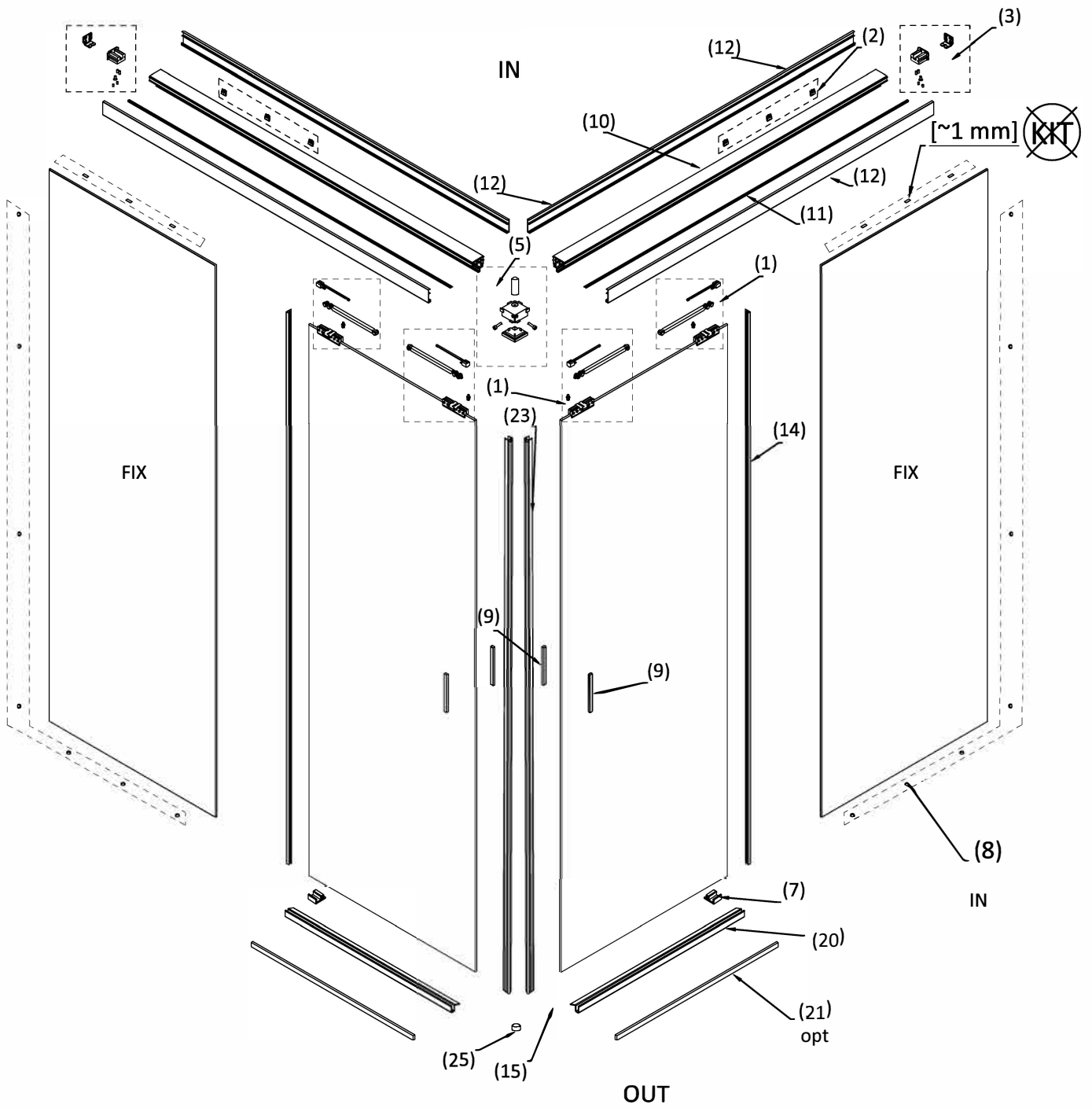
$$L_f = L_g$$

$$H_f = H_g$$

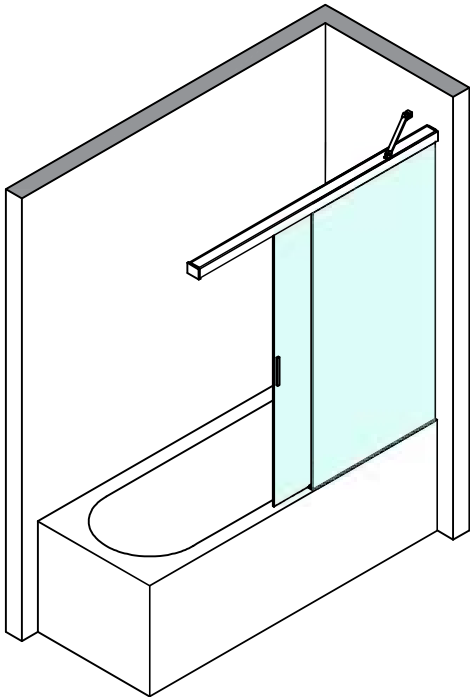


$$L_A = 0,7x(L_V - 158)$$

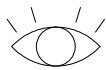
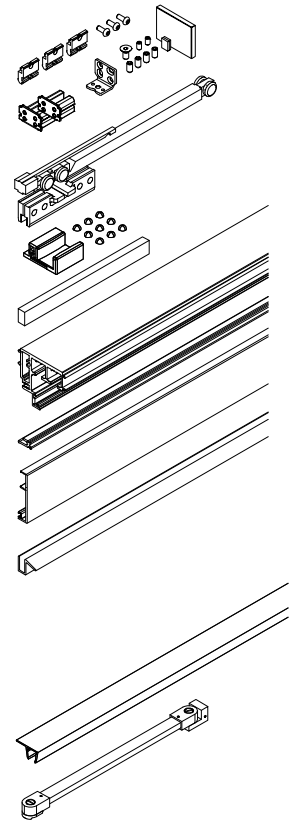




G50S50



| | | |
|----------|--------------|-------|
| (2) | G50KIT02 | 1 Kit |
| (6) | G50KIT06 | 1 Kit |
| (1) | G50KIT01 | 2 Kit |
| (8) | DCV108 | 1 Pz |
| (9) | MAN500V150 | 2 Pz |
| (10) | LM5859 | 1 Pz |
| (11) | 057.3078.002 | 3 m |
| (12) | LM0859 | 2 Pz |
| (20) | GM900807 | 1 Pz |
| (14) | GM1410 | 1 Pz |
| OPTIONAL | | |
| (14) | GM1410 | 1 Pz |
| (22) | DQGKIT26 | 1 Kit |



L (max 1500 mm)
H (max 1750 mm)



$$L_g = (LV + 34) / 2$$

$$H_g = H - 46$$

FIX

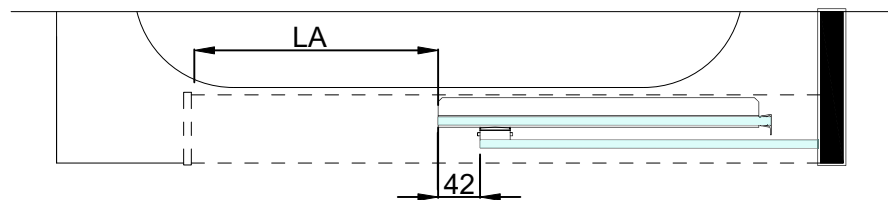
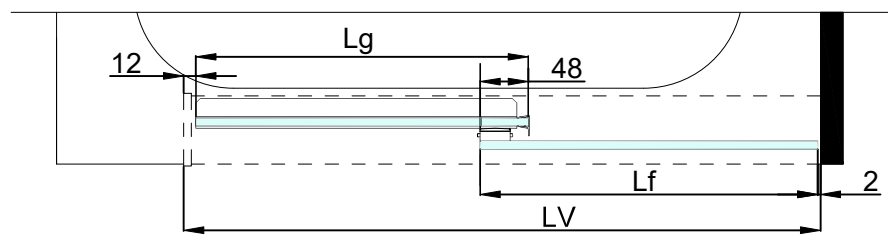
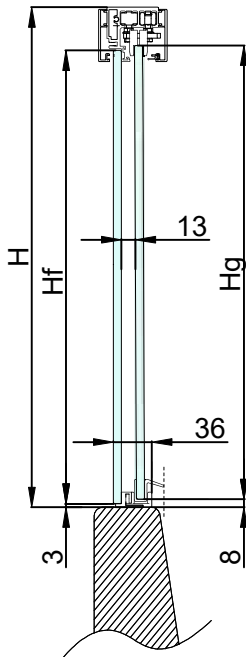


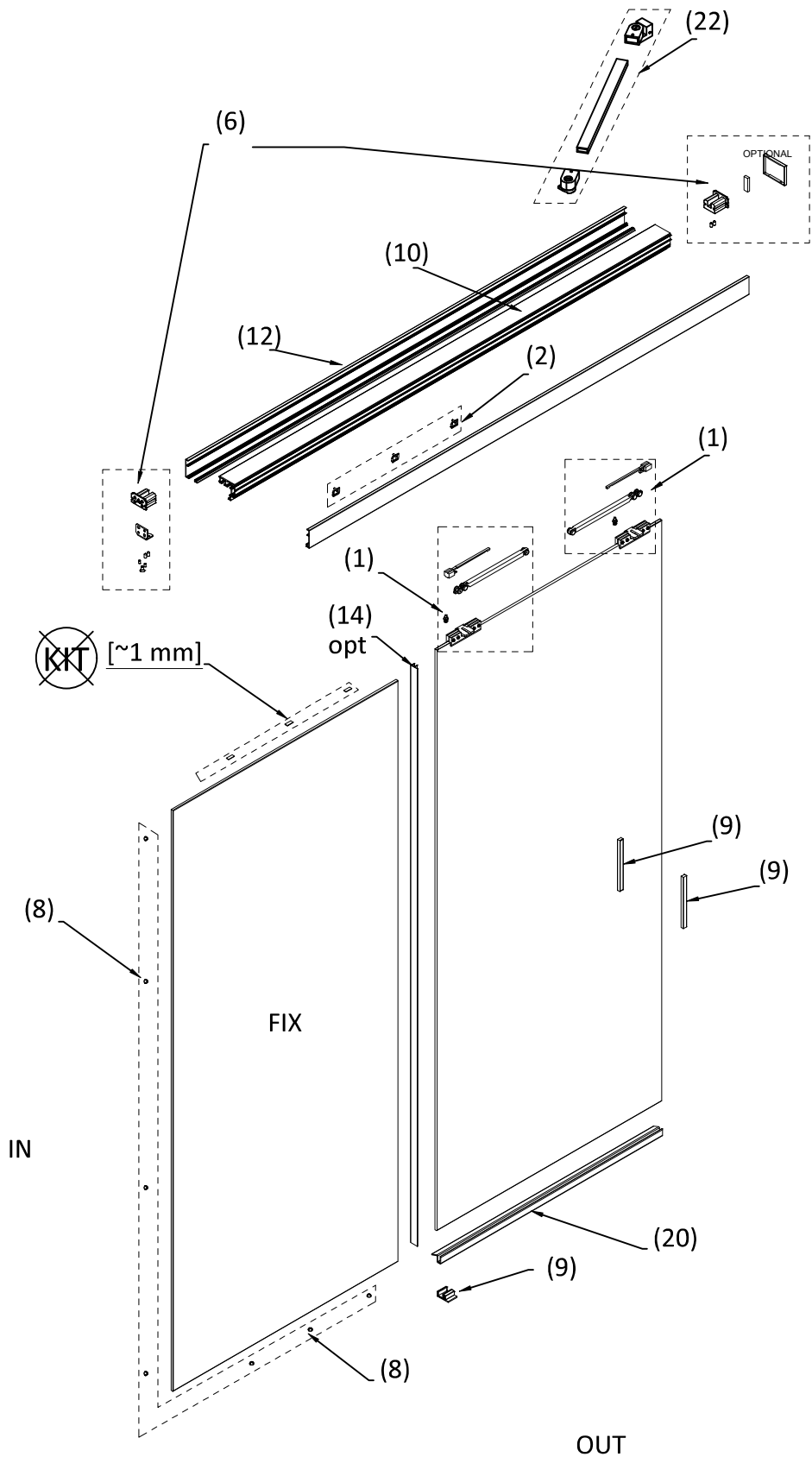
$$L_f = L_g$$

$$H_f = H_g$$

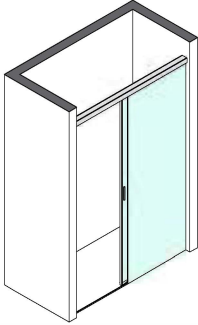


$$L_A = (LV - 122) / 2$$

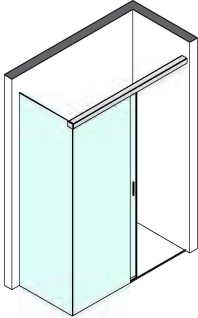




G50S10



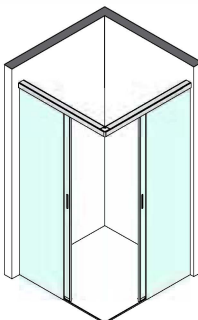
G50S20



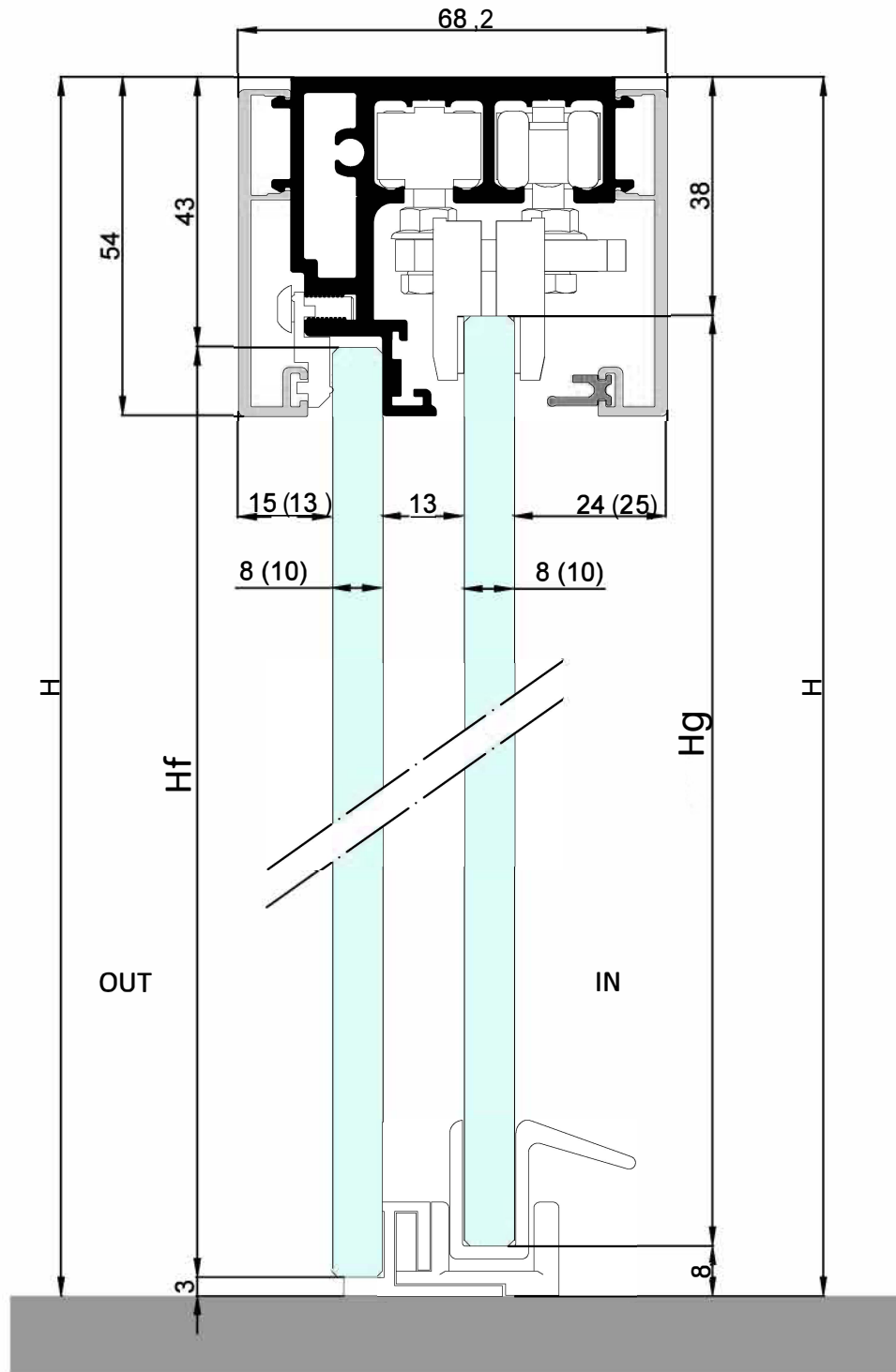
G50S30



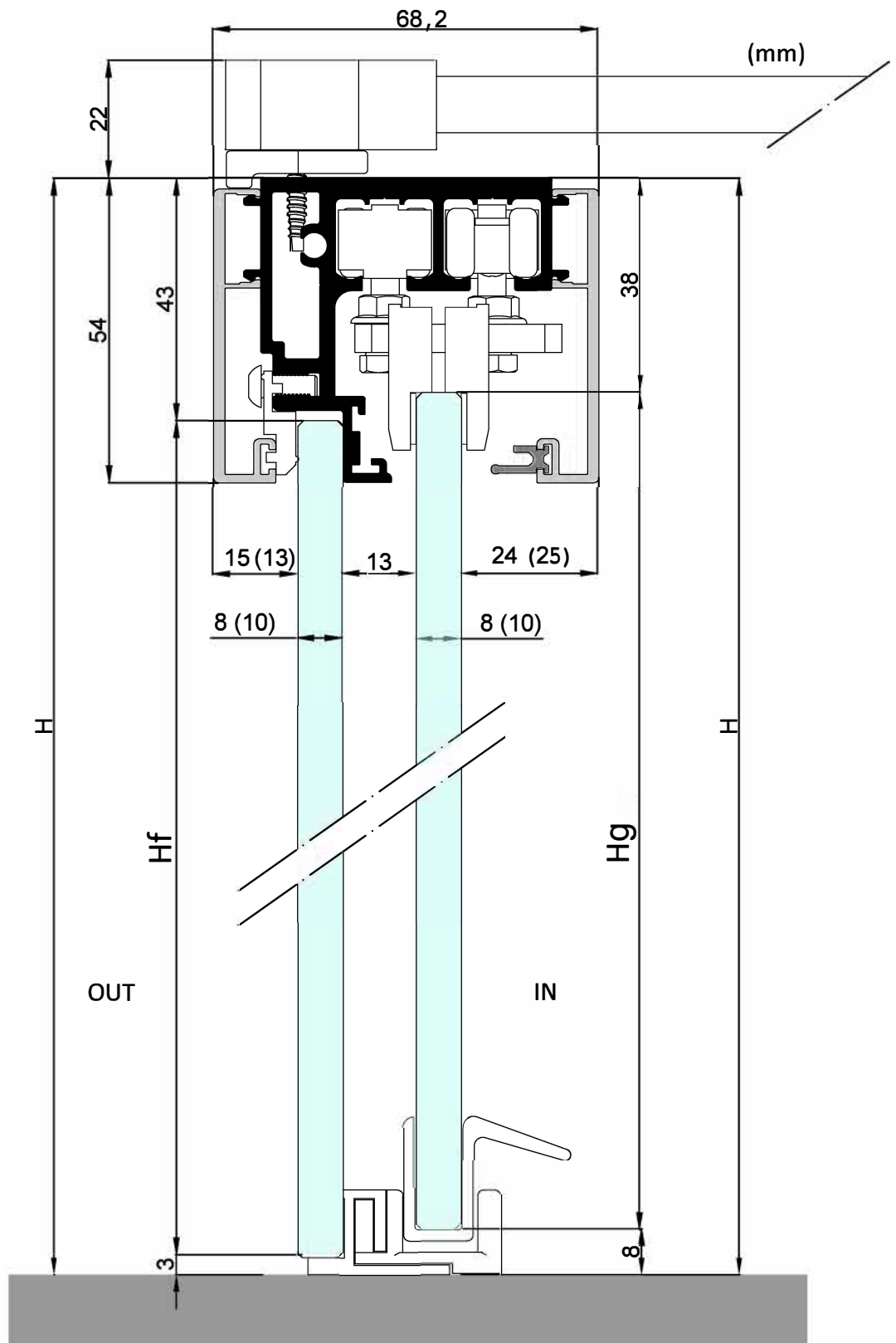
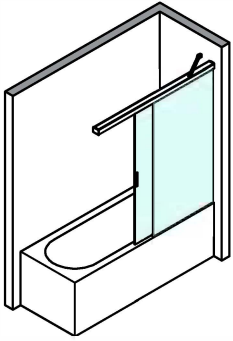
G50S40



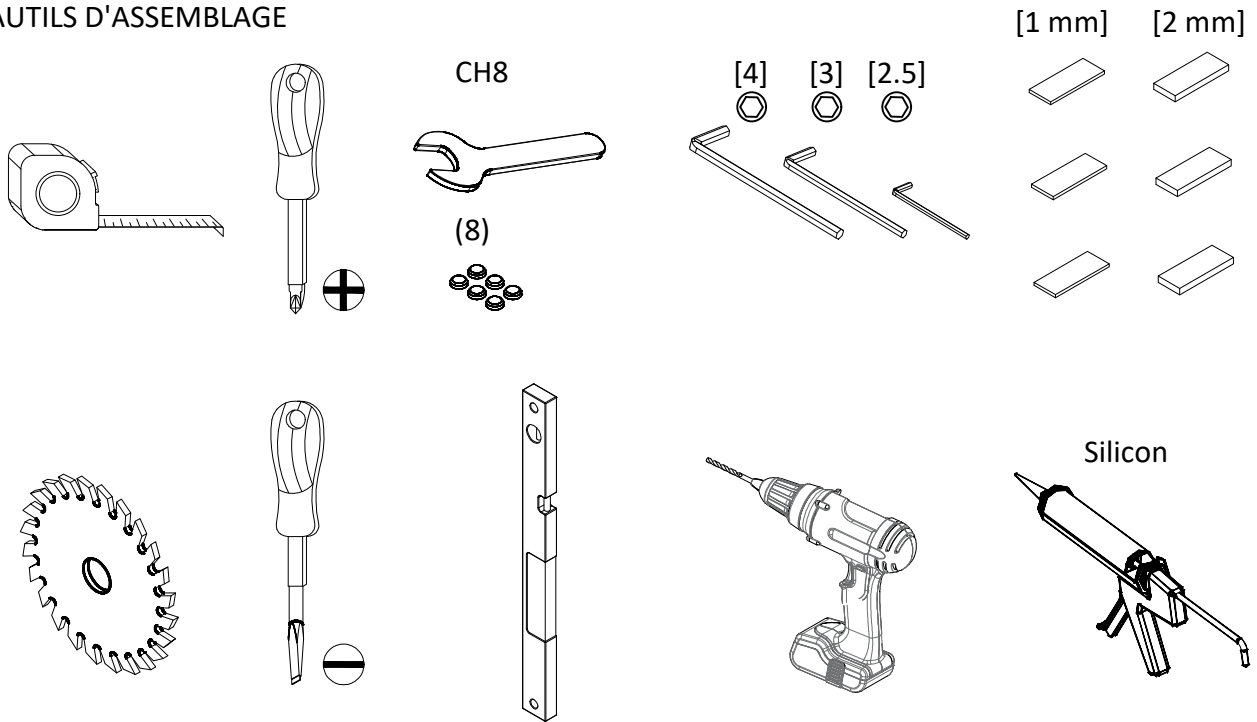
(mm)



G50S50

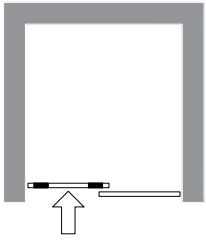


STRUMENTI PER IL MONTAGGIO
ASSEMBLY TOOLS
AUTILS D'ASSEMBLAGE

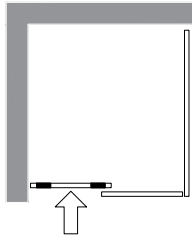


| | | | | | |
|------|-----------|--------------------------------|--------------------------------|----------------------------------|----------|
| | | | | | |
| | | | | | |
| | L - 16 mm | L - 20mm | L - 26mm | L - 61mm | L - 12mm |
| (10) | | | | | |
| (12) | L - 2mm | L - 10mm (in) L + 2mm (out) | L - 18mm (in) L + 4mm (out) | L - 55 mm (in) L + 6 mm (out) | L - 5mm |

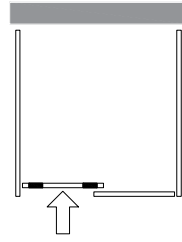
G50S10



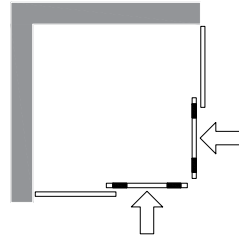
G50S20



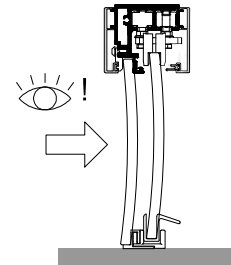
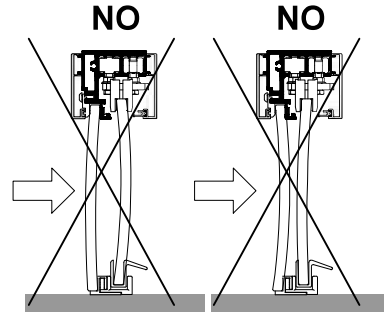
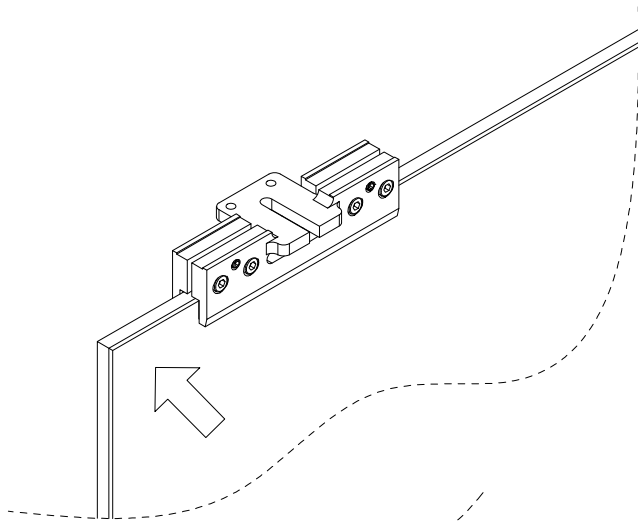
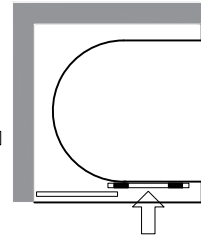
G50S30



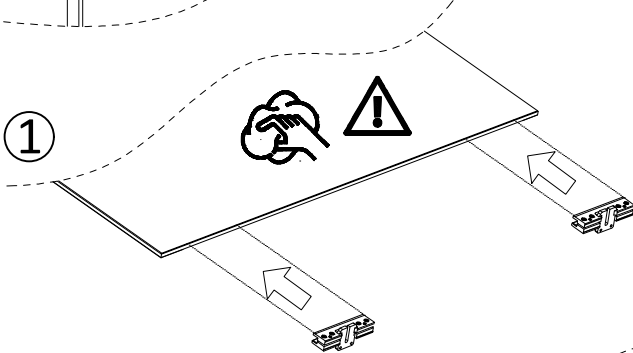
G50S40



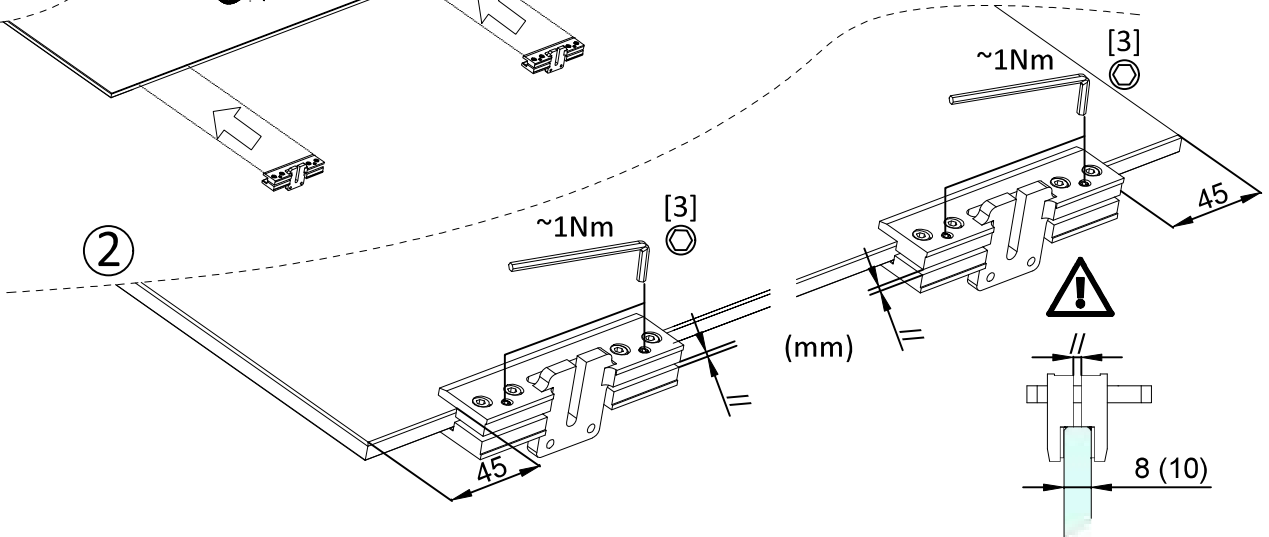
G50S50



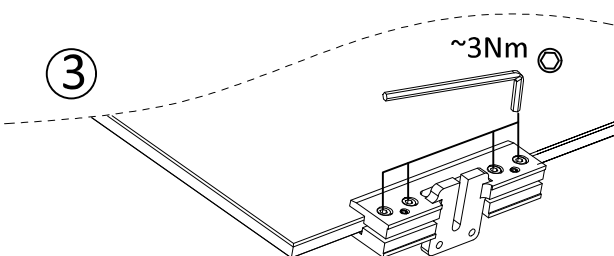
①



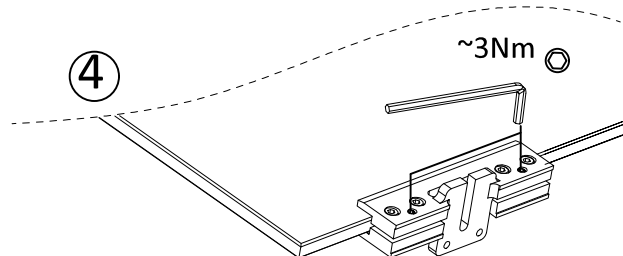
②

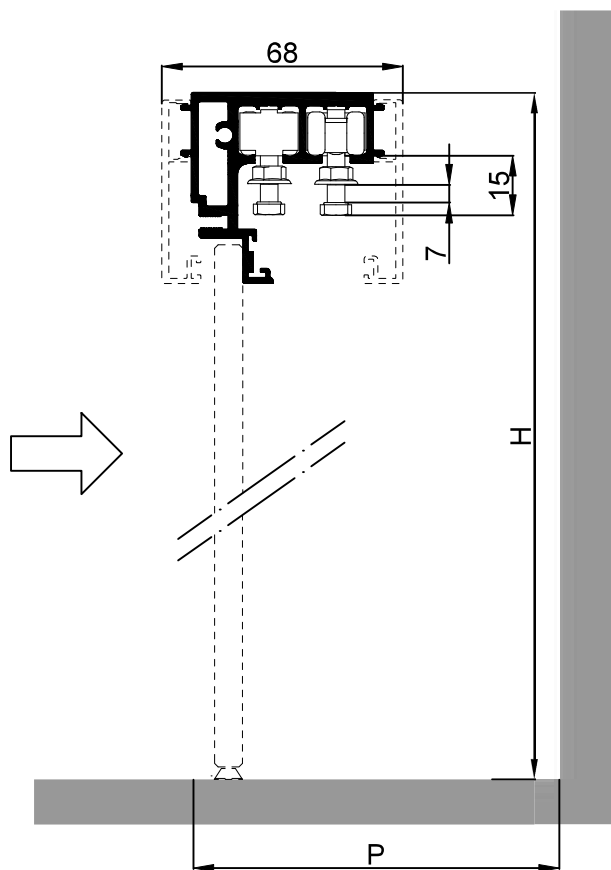
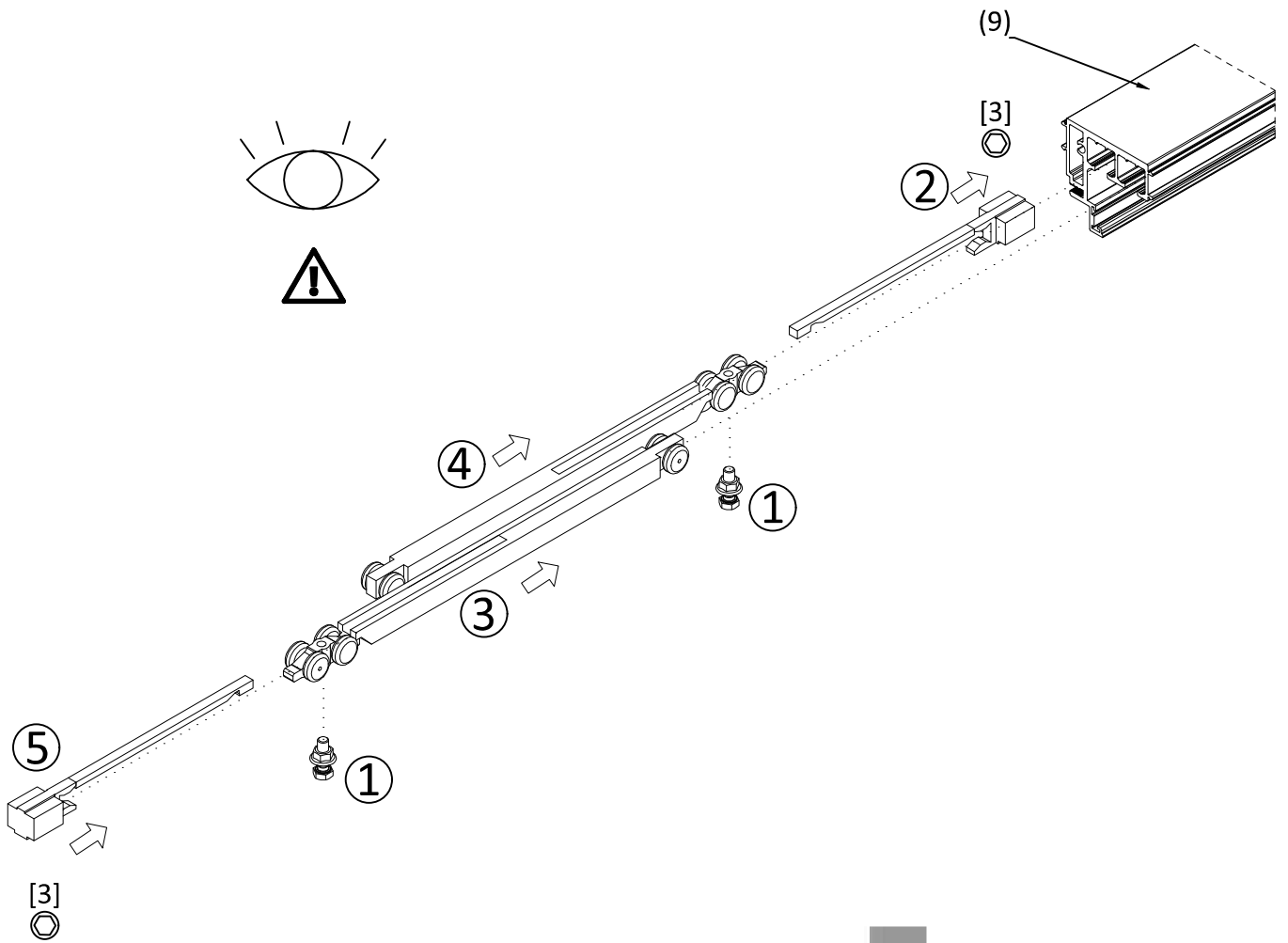


③

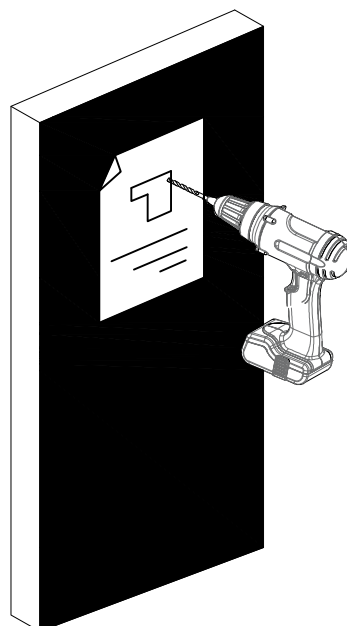
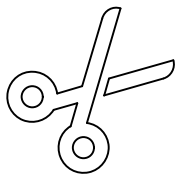
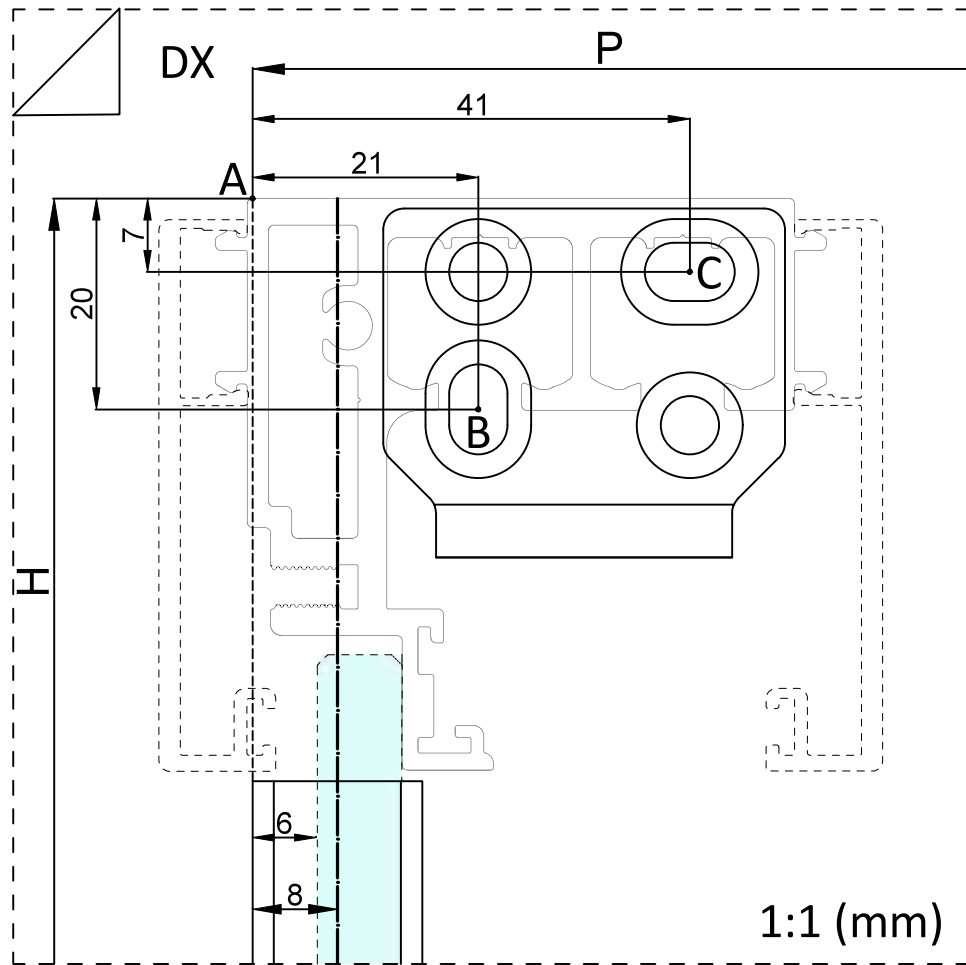


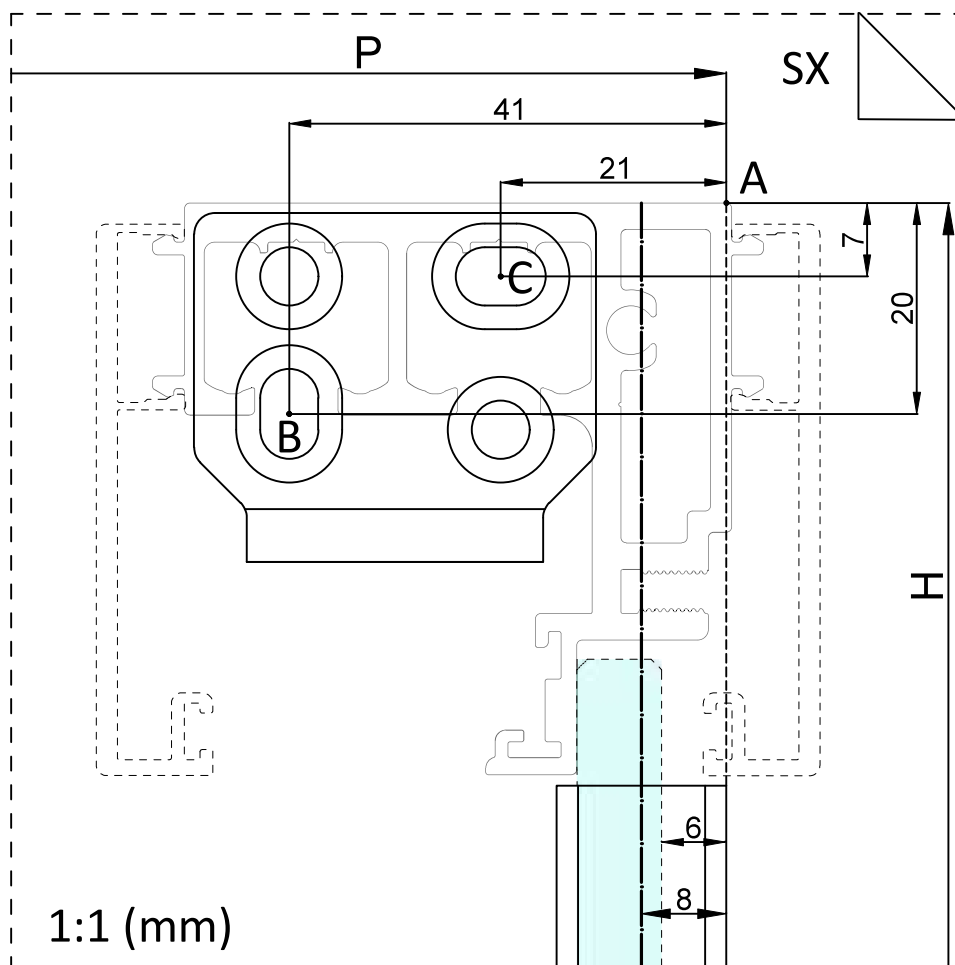
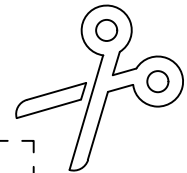
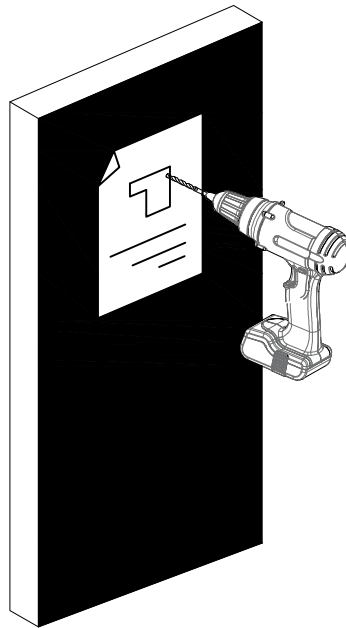
④

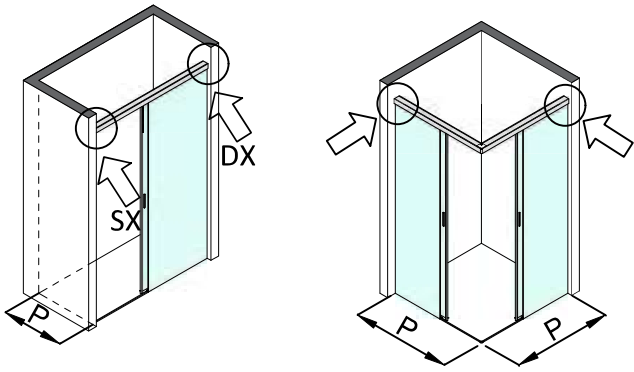




(mm)





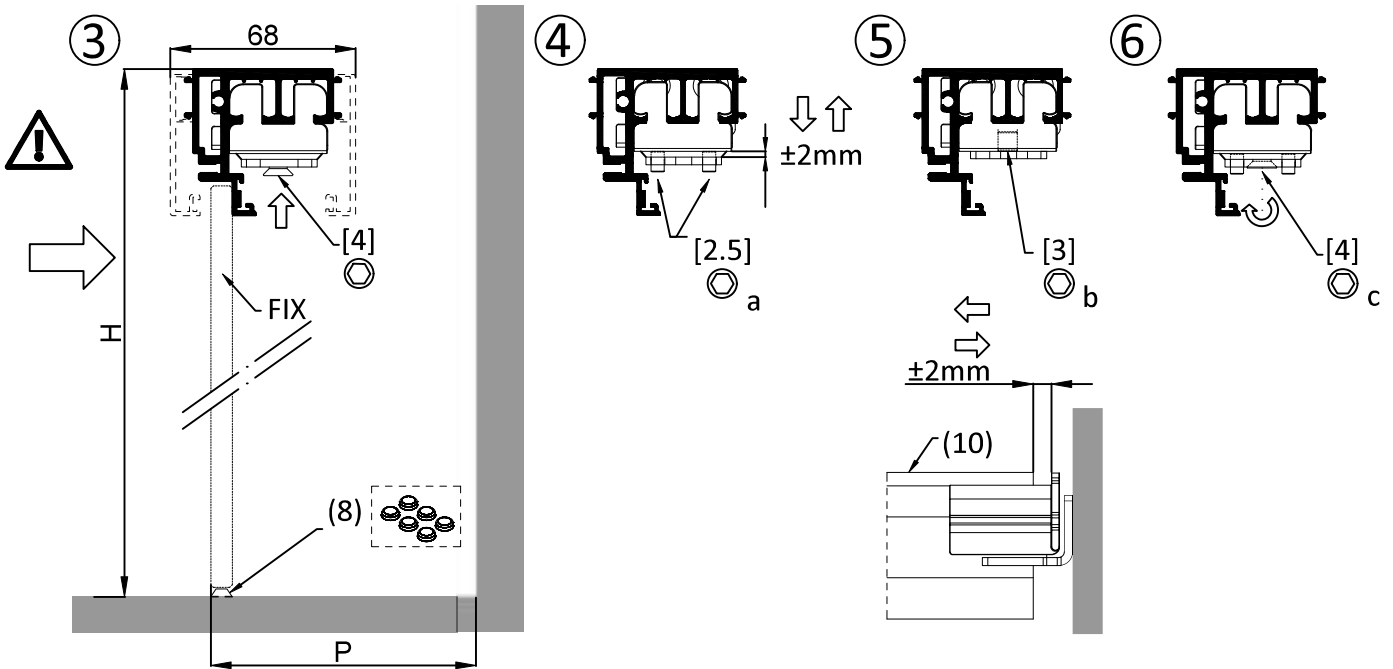
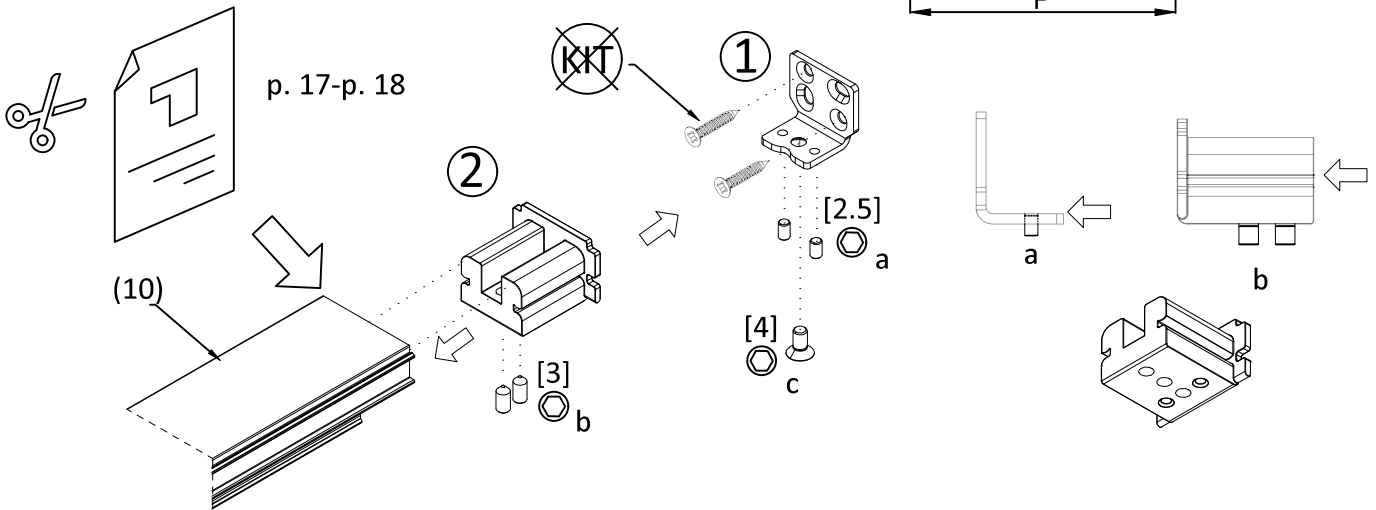
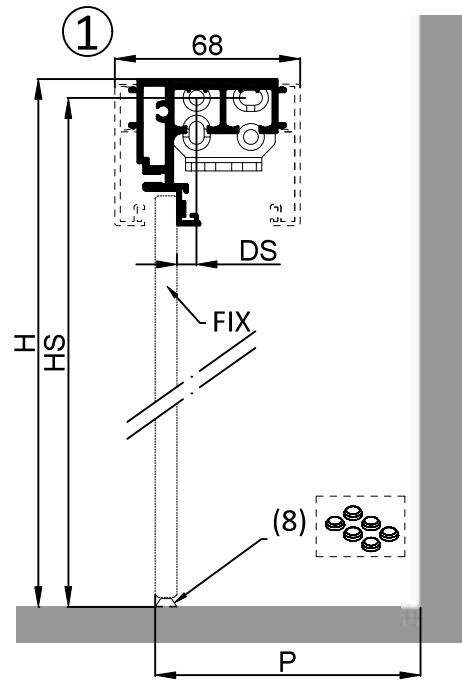
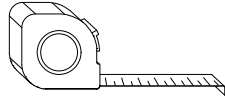


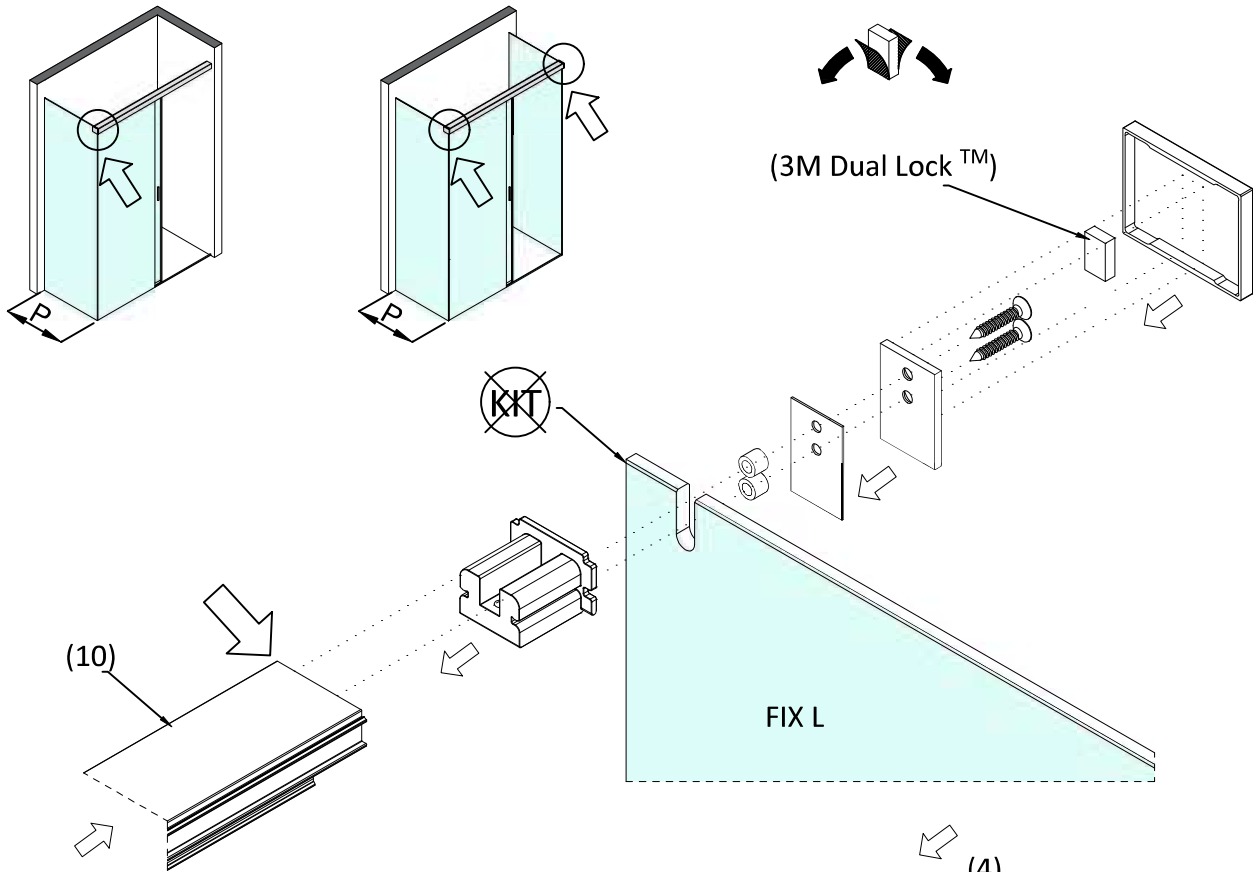
$$L7 = H - 74$$

$$HS = H - 7$$

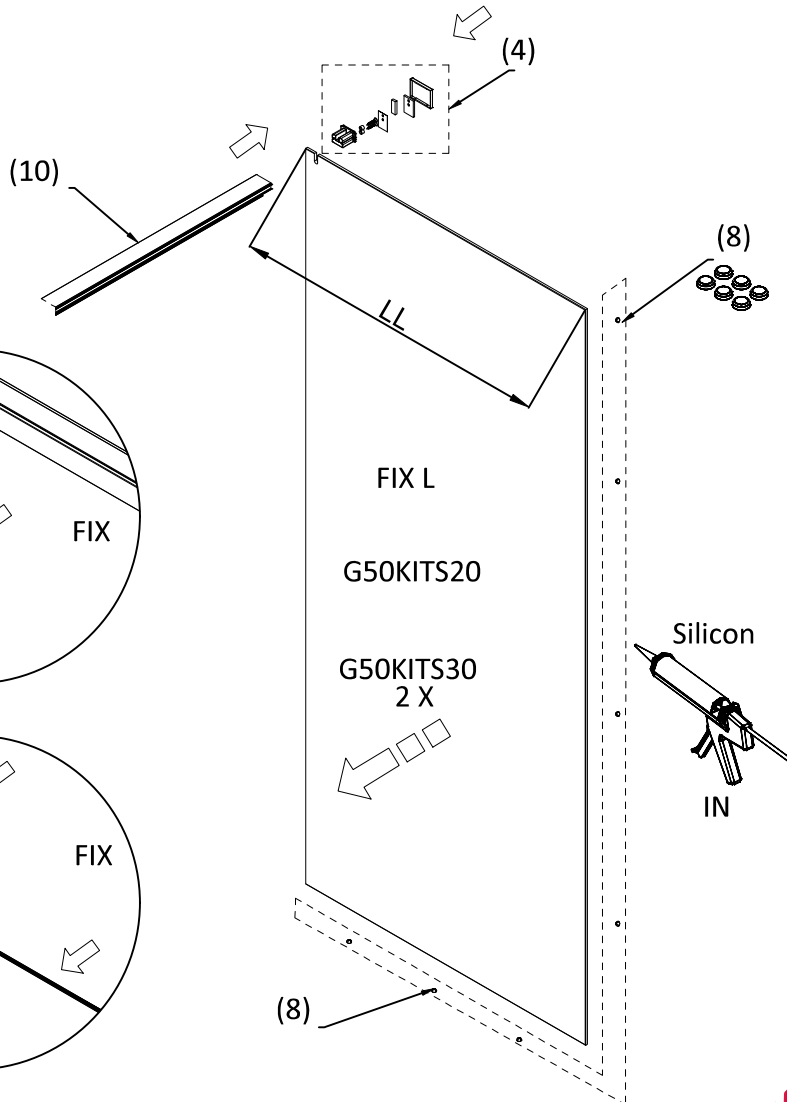
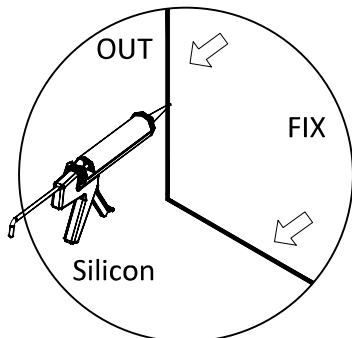
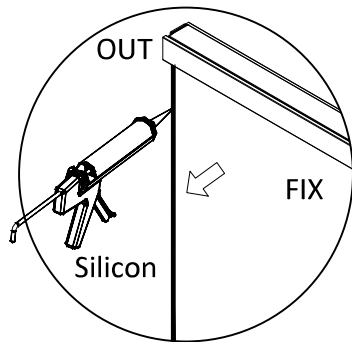
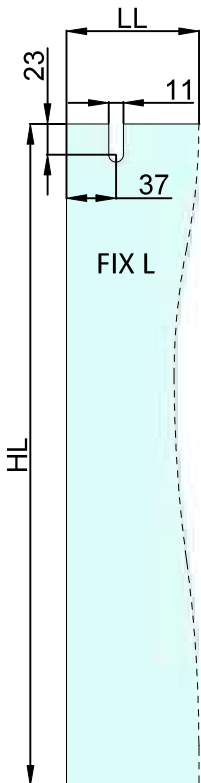
$$DS = \sim 7$$

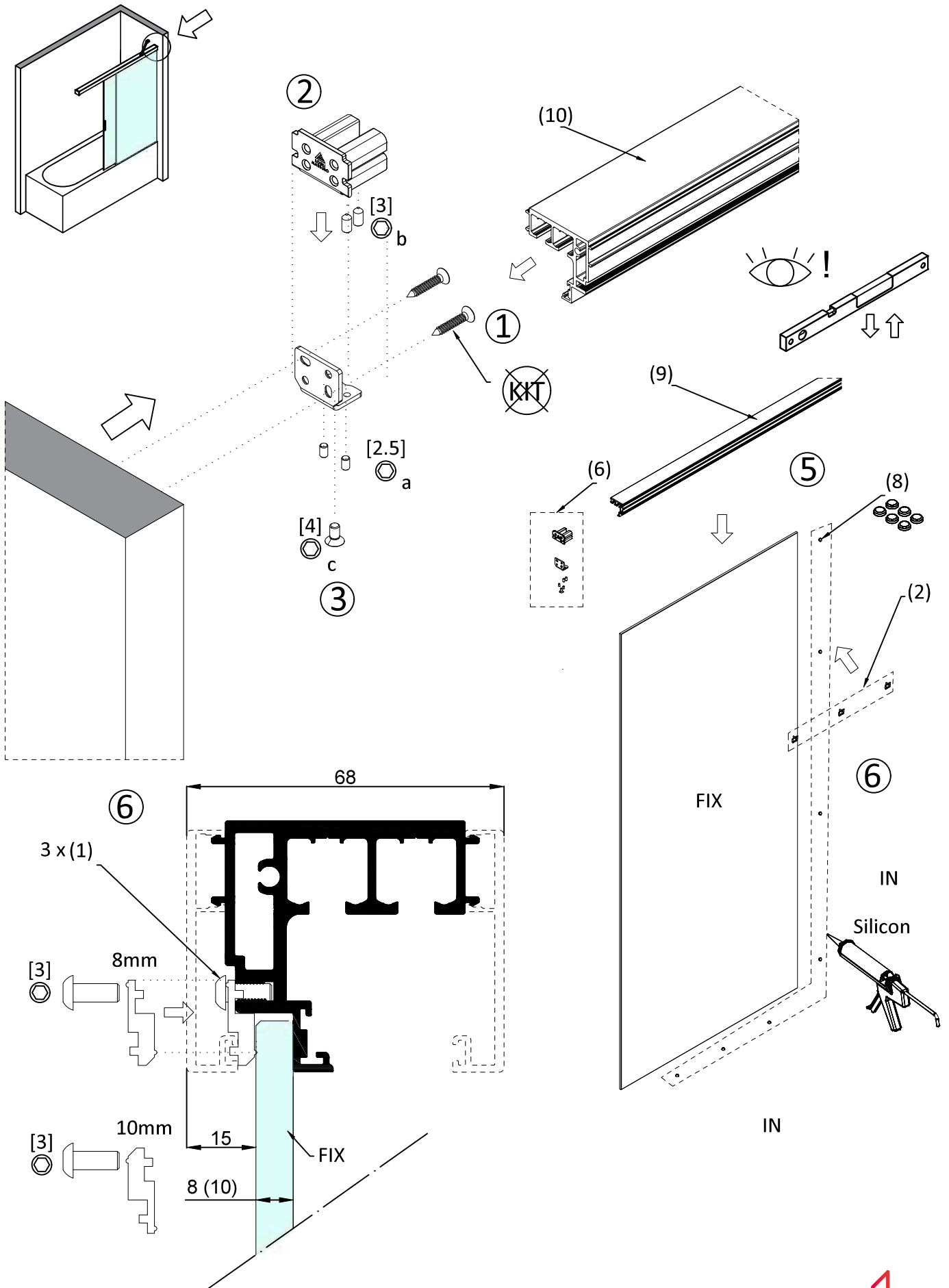
(mm)

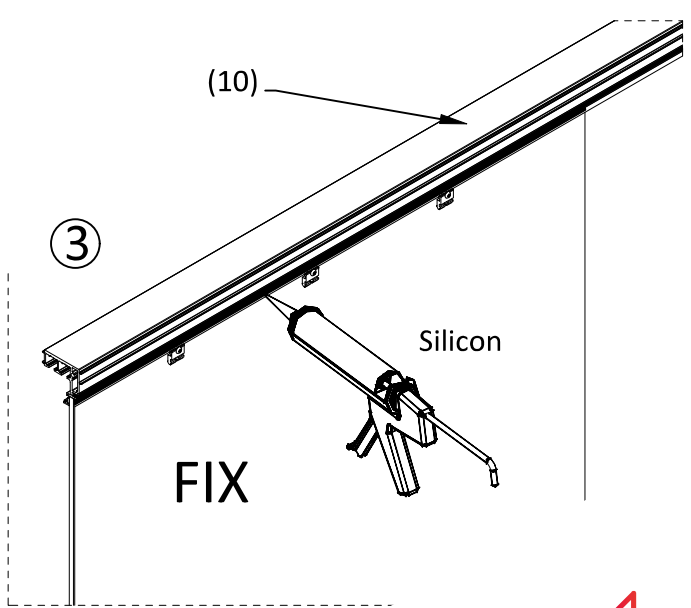
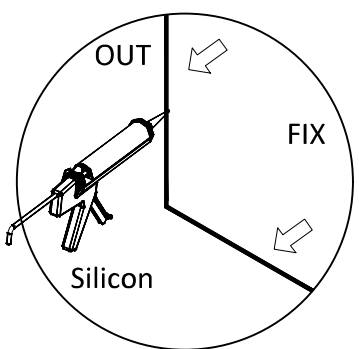
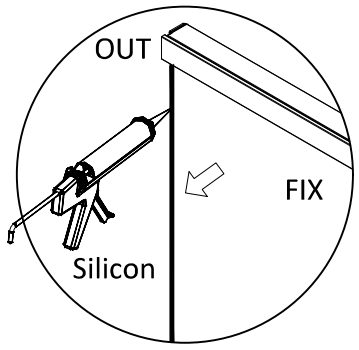
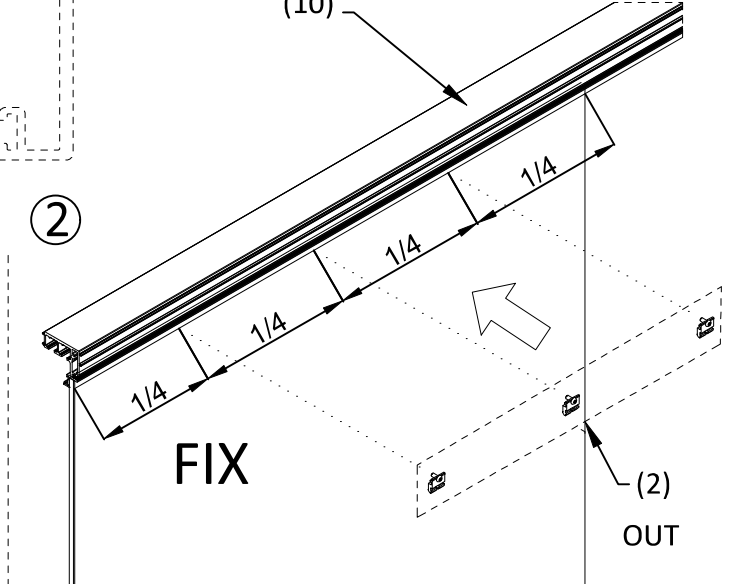
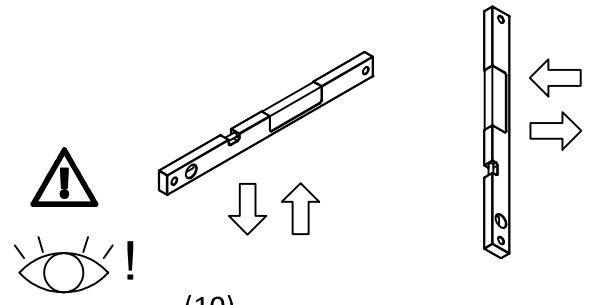
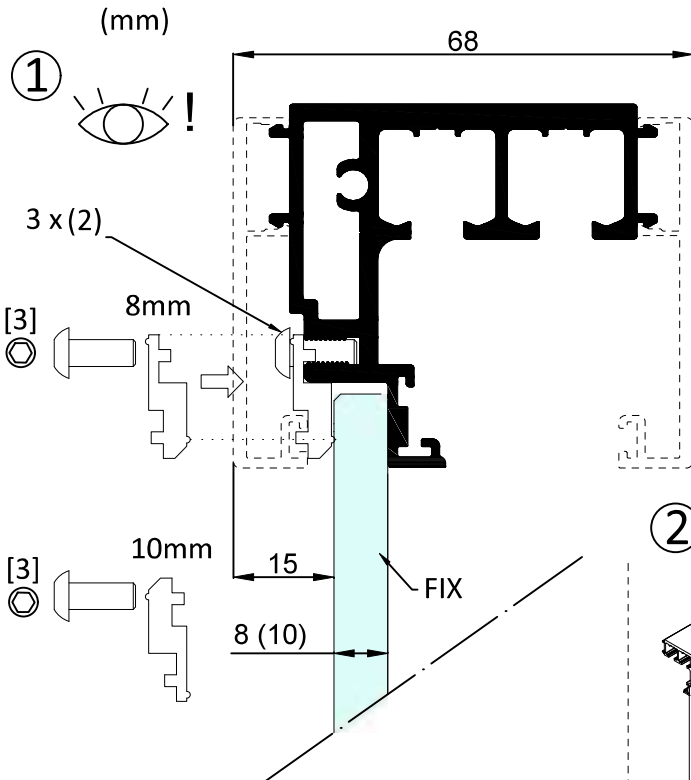
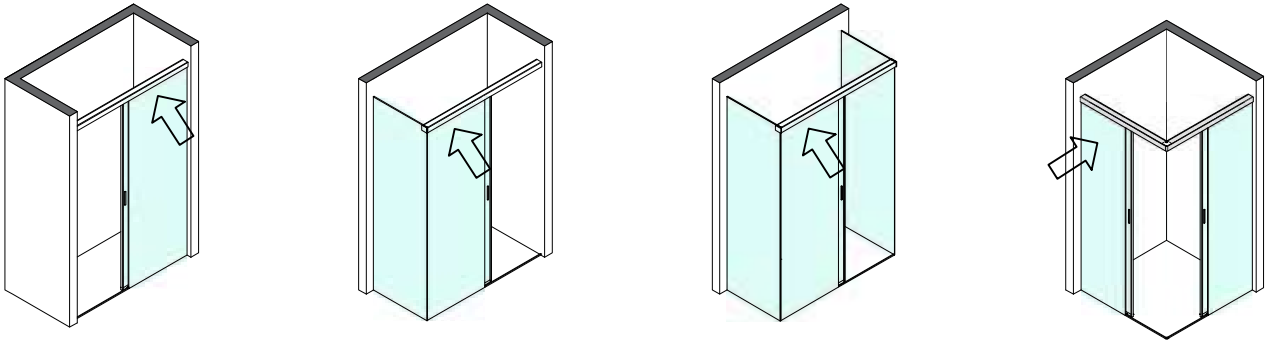


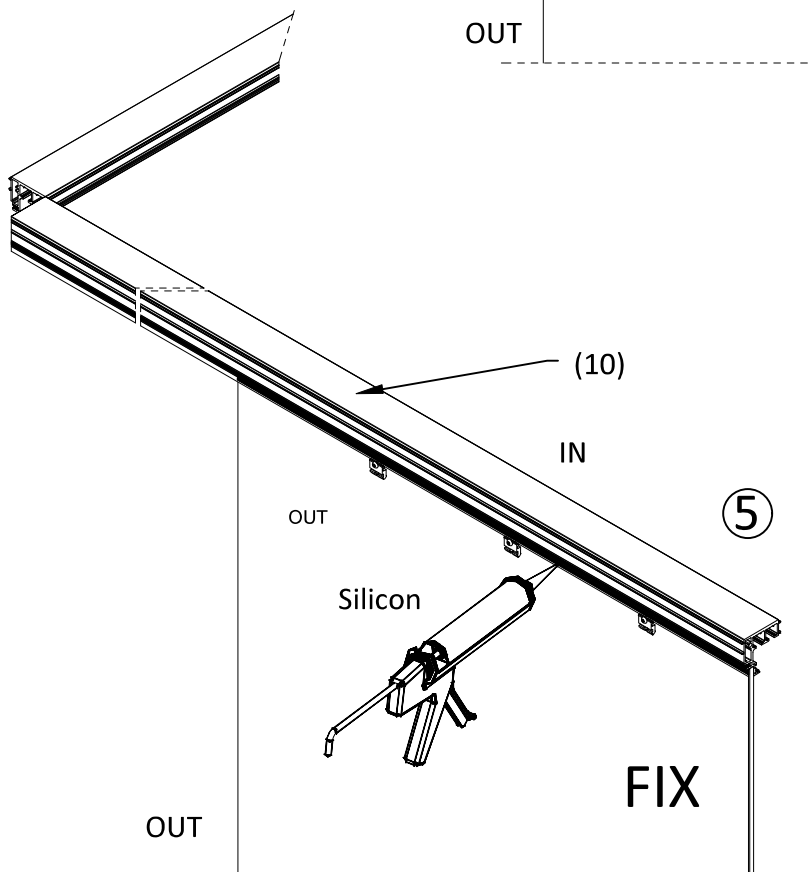
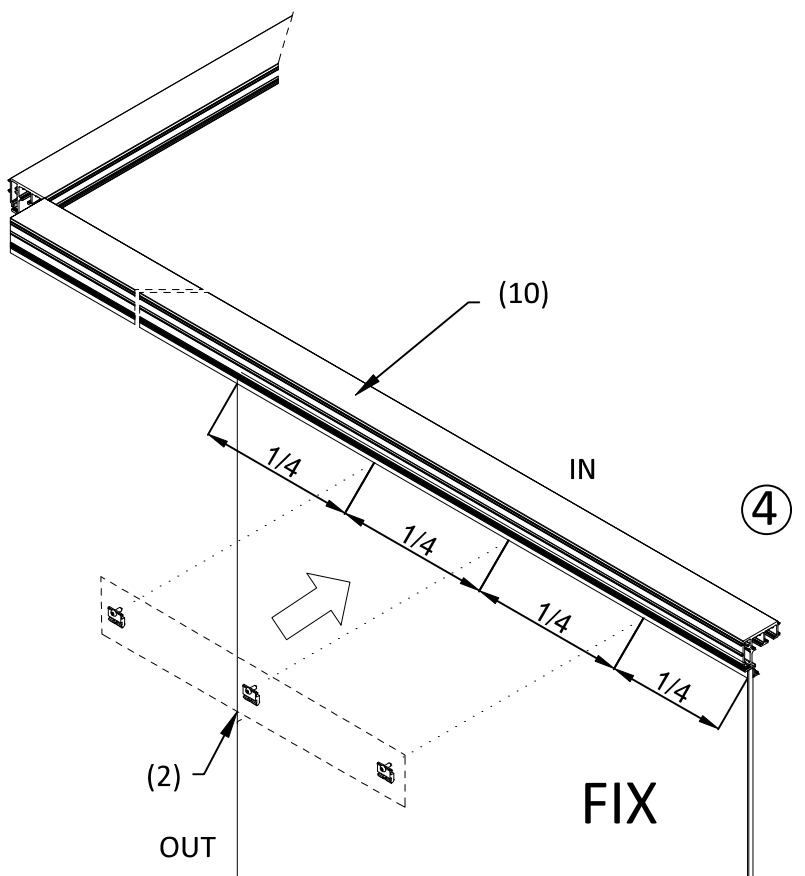
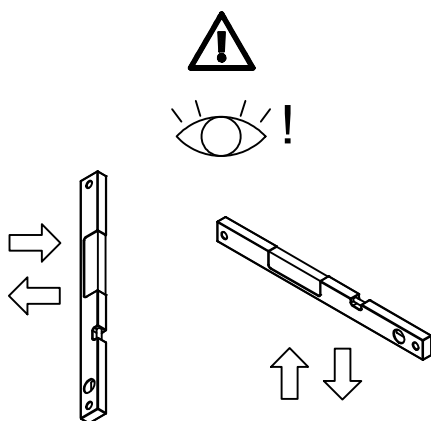
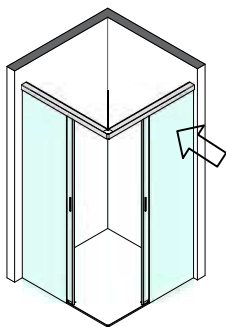


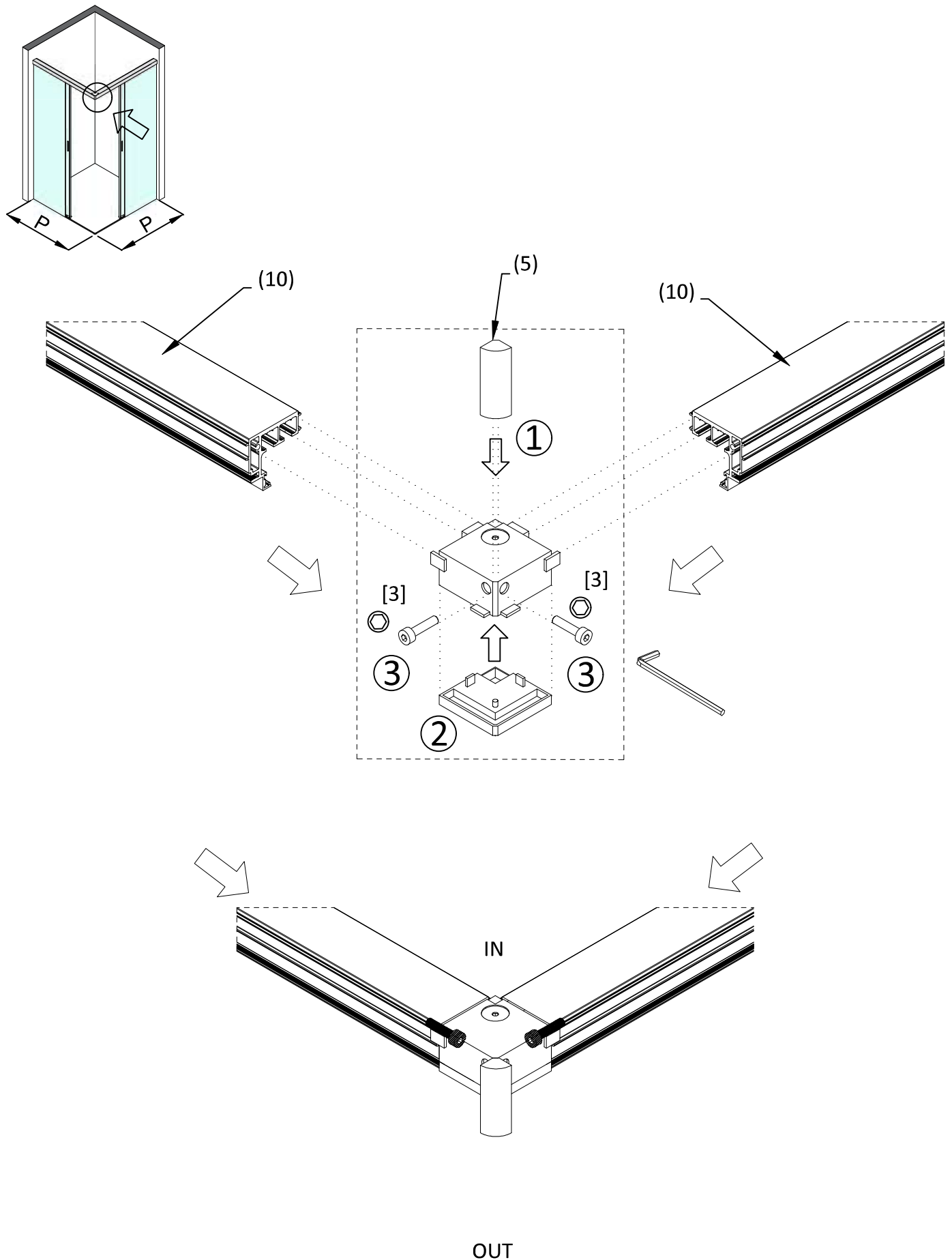
G50KITU20
G50KITU30

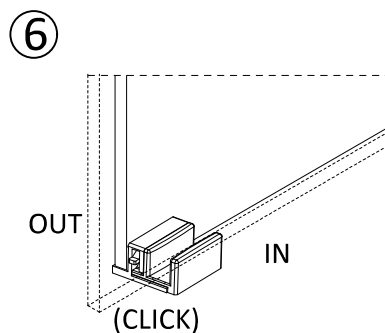
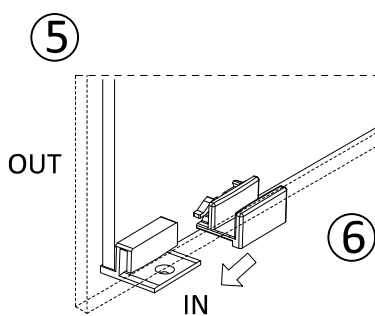
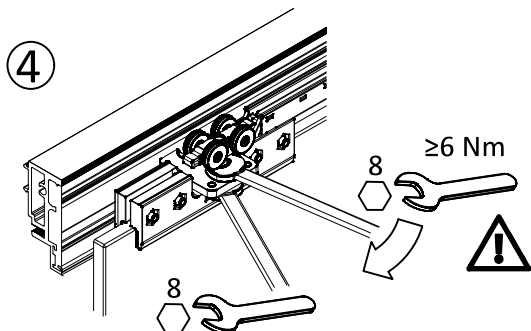
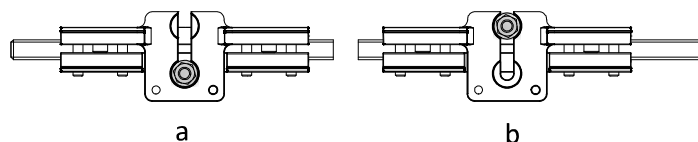
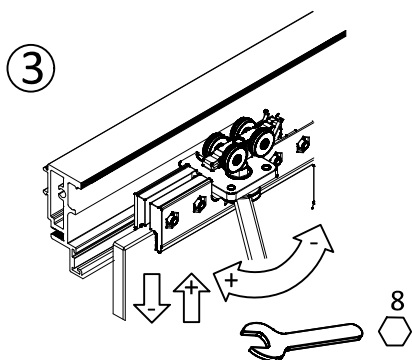
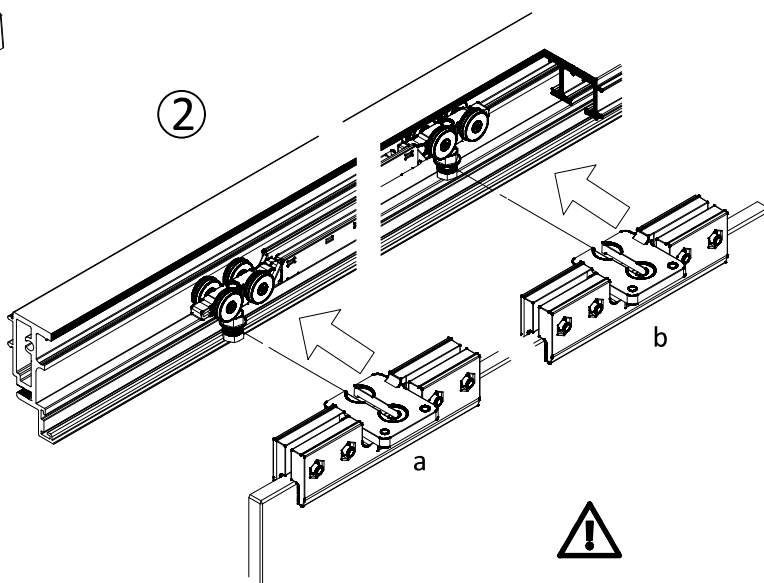
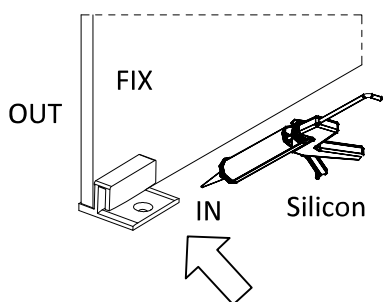
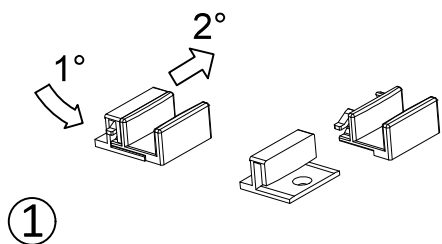
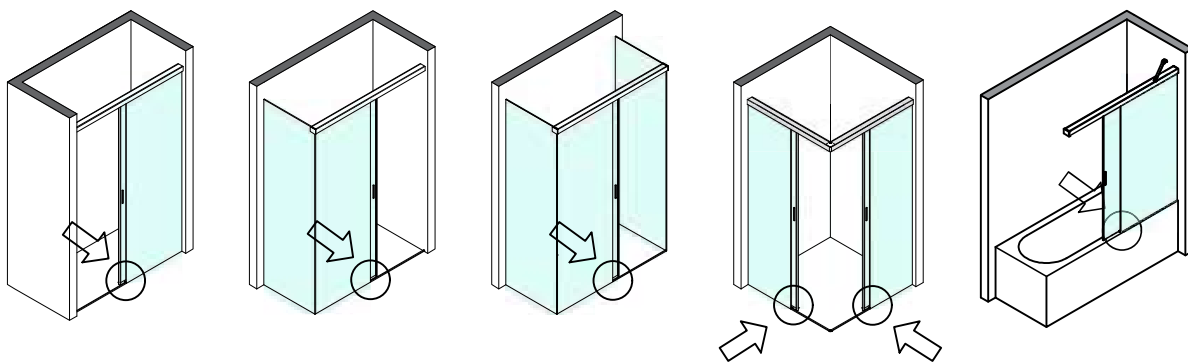


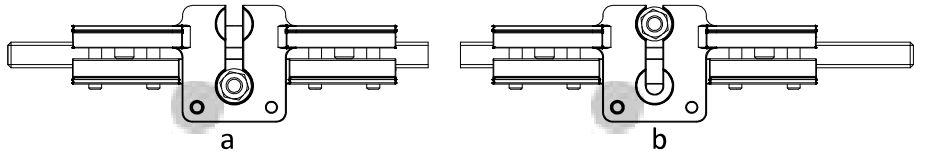
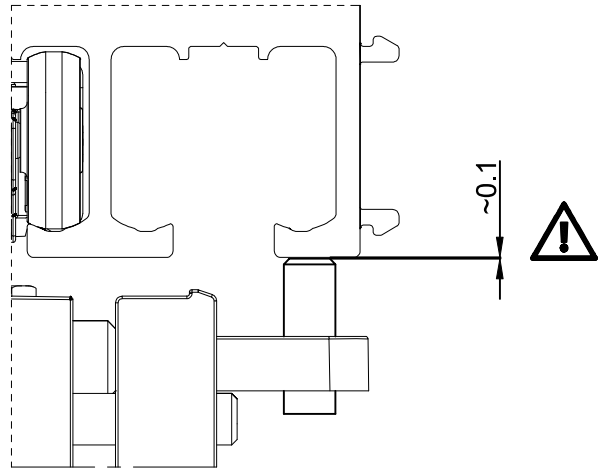
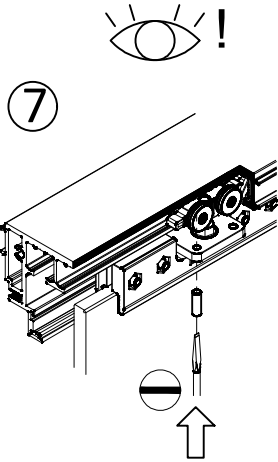




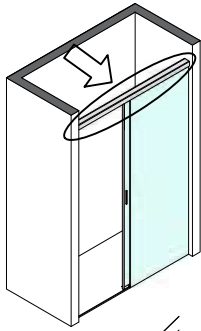




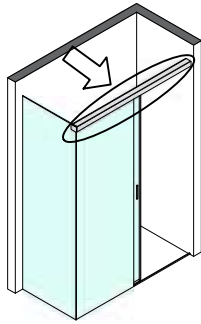




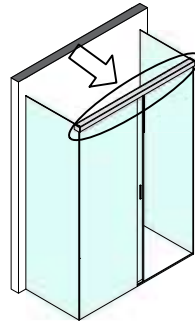
G50S10



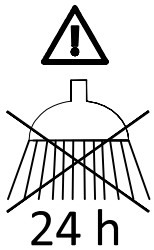
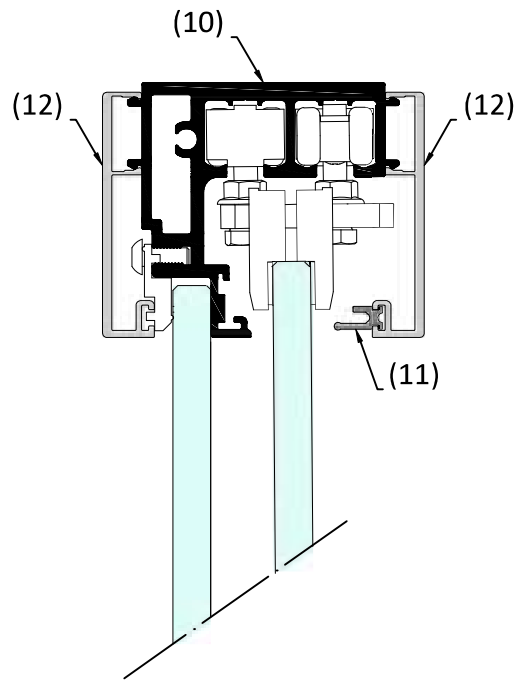
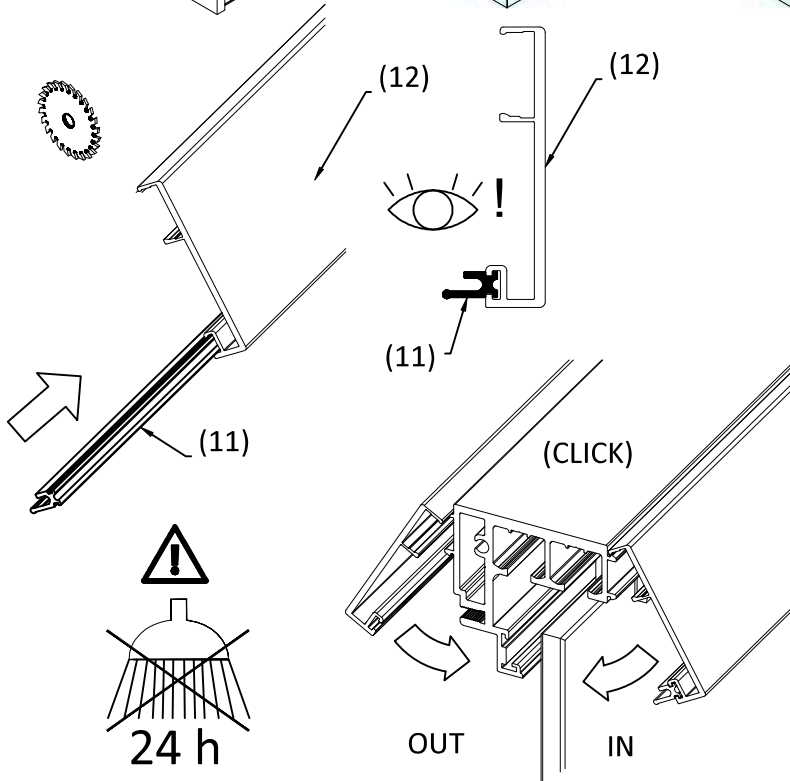
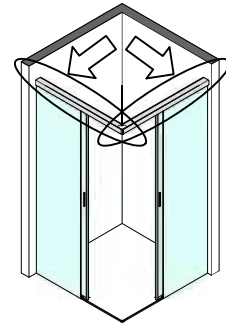
G50S20



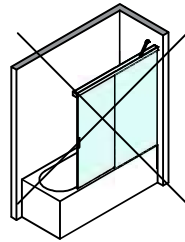
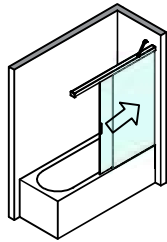
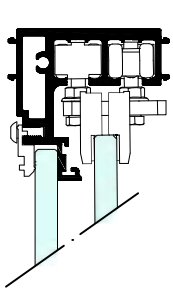
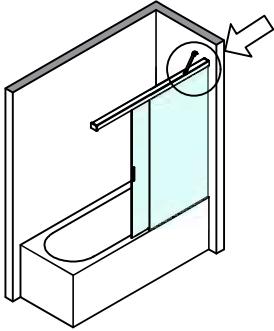
G50S30



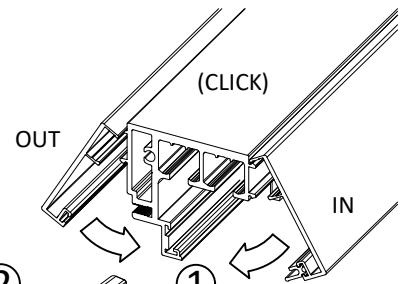
G50S40



G50S50



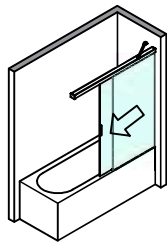
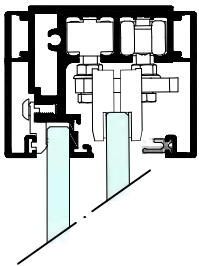
NO



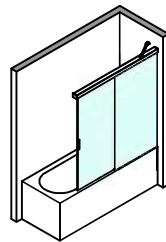
2

1

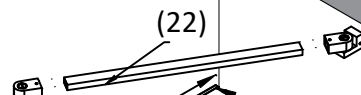
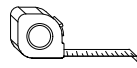
(3M Dual Lock™)



OK



OK

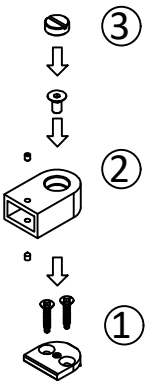


(22)

A !

OUT

IN



3

2

1

DQGKT01

[1.5]



LOGLI MASSIMO SpA

Via Chemnitz, 49/51 59100

Prato - Italia

Tel. +39.0574.848111

Fax +39.0574.527574

www.loglimassimo.it

info.lm@saint-gobain.com