

rev. 1,0

INSTALLATION INSTRUCTIONS

DOCCIA-FLAT SERIES

Corner roller model
with glass panes aligned
Glass 8 mm

DCCFLAT011



EN 14428



LOGLI
MASSIMO
SAINT-GOBAIN



DOCCIA-FLAT SERIES

Corner roller model with glass panes aligned - Glass 8 mm

DCCFLAT011

Composition of the kit



<p>DCCFT90</p> <p>1 kit</p>	<p>GLMFT1000</p> <p>2 Pcs</p>	
<p>PBD3183.220 + PBD3183.150</p> <p>2 Pcs + 2 Pcs</p>	<p>PBD3184.150</p> <p>1 Pc</p>	<p>GTUP4</p> <p>7 m</p>
<p>GM01422</p> <p>2 Pcs</p>	<p>GM62DX + GM62SX</p> <p>1 Pc + 1 Pc</p>	<p>HAND10057VHB</p> <p>4 Pcs</p>

Important information

GENERAL INDICATIONS

- The exclusive use of safety glass is required (monolithic tempered or laminated)
- Do not install the product in environments characterized by the presence of aggressive chemical agents (pools, saunas, marine atmosphere, ...).
- Do not move the doors too fast.
- Do not move the doors with excessive force. Install and adjust the end stops correctly supplied in the kit.

PROPER AND AUTHORIZED USE

- It is possible to install the product only indoors, protected from moisture and agents atmospheric (sun, wind, pollution, ...)
- The authorized use concerns manual opening and closing and at a running speed of 1 or more sliding glass panels inside a door.

REQUIREMENTS OF GLASS PANELS AND ANCHORS

- The structure to which the product is anchored must be able to support permanent loads and have an adequate geometric linearity (maximum height of 2 mm every 1000 mm).
- The anchors must be correctly selected according to the type of structure and the weight of the suspended parts of the product (including glass panels).
- The exclusive use of safety glass (monolithic, tempered or laminated) is required.
- Never use panels that are not intact or otherwise damaged.
- During adjustment phases, make sure that the glass never comes into contact with potentially dangerous parts because of its integrity (metal parts, masonry, ...).
- Never exceed the appropriate tightening torques; too tight a tightening does not correspond to a better tightening and can cause permanent damage to the product, to the anchoring structure and to the glass panels.

INSTRUCTIONS FOR MAINTENANCE AND CLEANING

- Replace damaged and / or worn parts immediately.
- Before installation, always degrease the areas of the glass panels on which the clamping elements (clamps) will be installed
- Use non-aggressive, non-greasy detergents for cleaning.
- Regularly check the level of wear of the components and the correct operation of the product.
- Use only original spare parts.

SAFETY INSTRUCTIONS

- The installation requires the simultaneous presence of two operators.
- Wear appropriate personal protective equipment including gloves, shoes and goggles.
- Only qualified and trained operators can perform the installation and commissioning of the product.
- Always avoid direct contact between glass and metal.



END OF LIFE

- The product disassembly procedure must be performed by two operators.
- Wear appropriate personal protective equipment including gloves, shoes and goggles.
- Only qualified and properly trained operators can disassemble the product.

Disposal of the product must be carried out in accordance with the national regulations in force regarding waste and environmental protection. In particular, follow the instructions below:

- plastic, rubber and similar parts must be sent to an approved center;
- materials made of aluminum, iron and metal in general must be sent to an approved recycling center;
- the glass parts must be sent to an authorized disposal center.

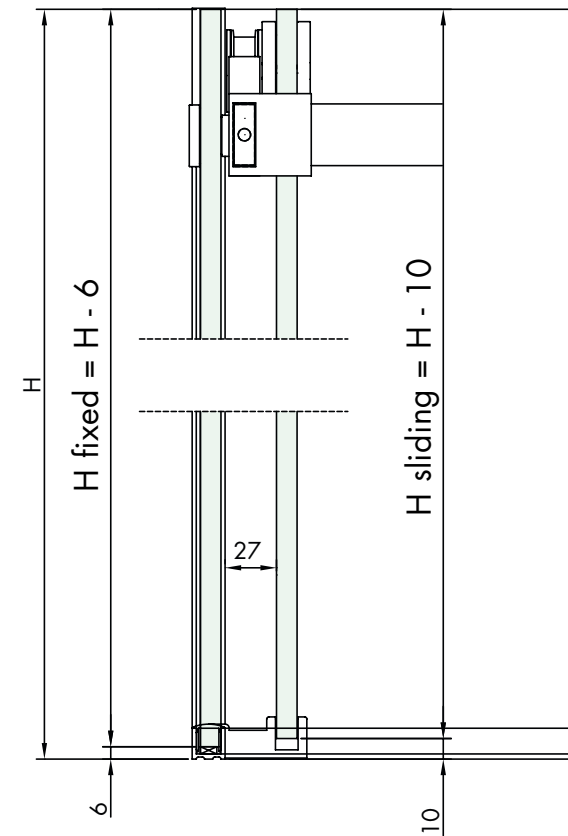
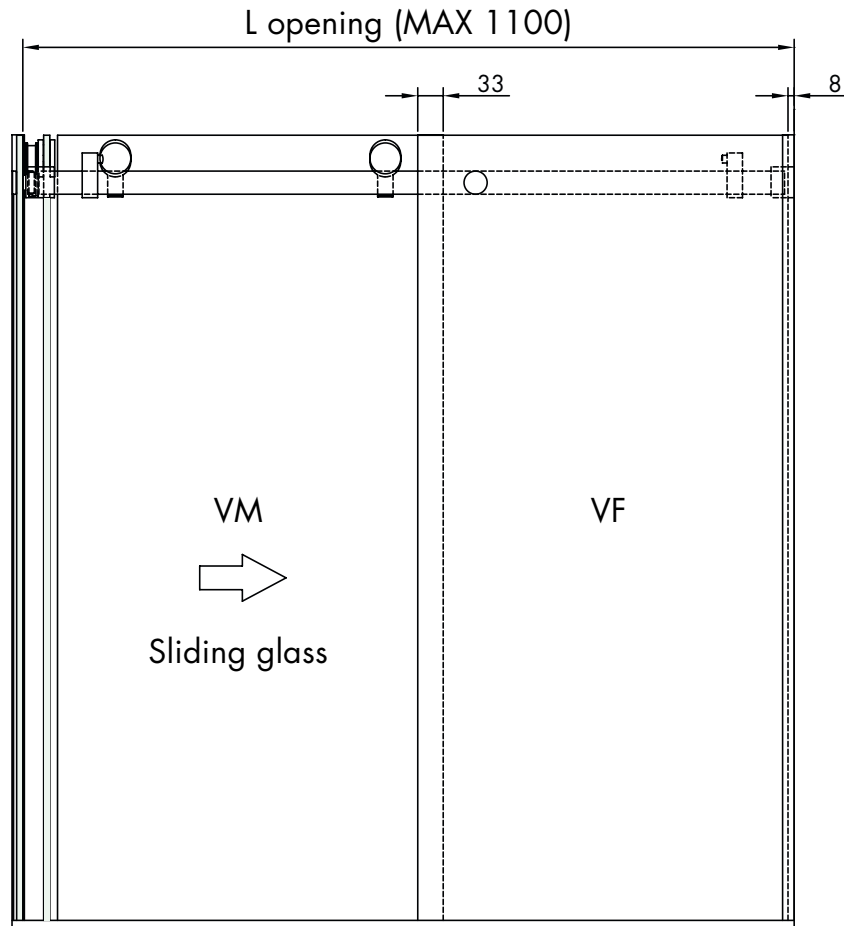


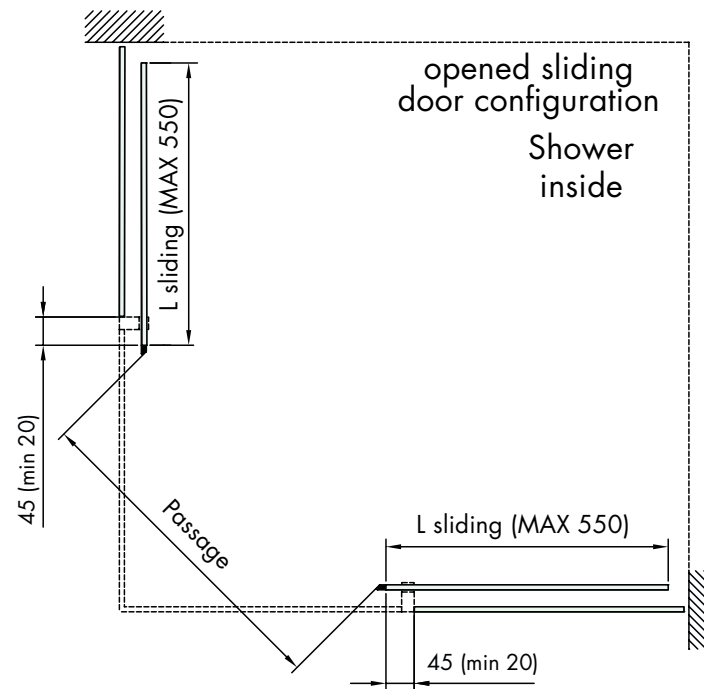
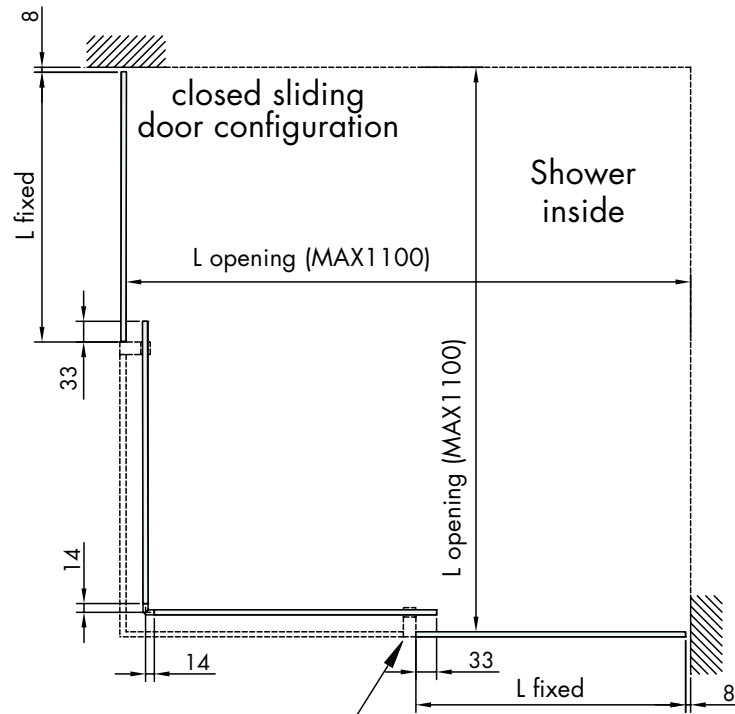
Warning: read the instructions carefully

To reduce the risk of accidents, operators who install and / or use this product **MUST** read and understand these instructions.

DO NOT THROW
DELIVER TO USER

General dimensions



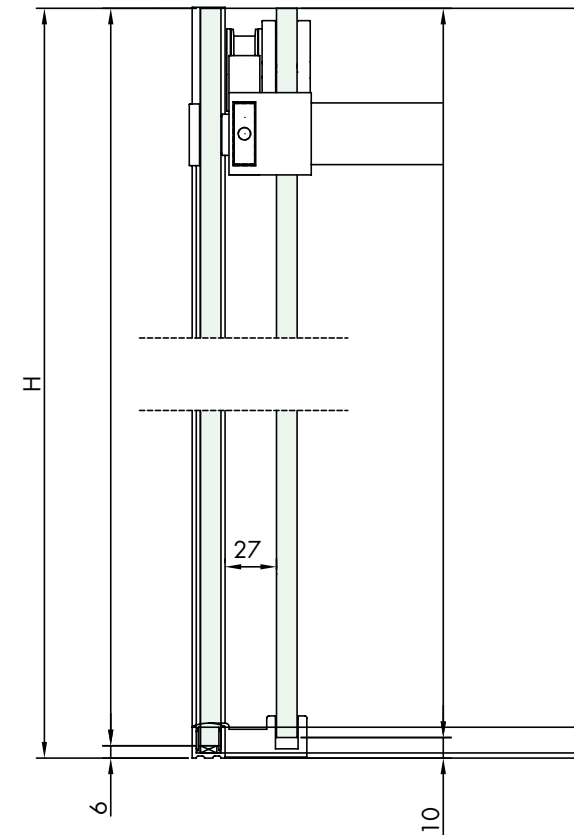
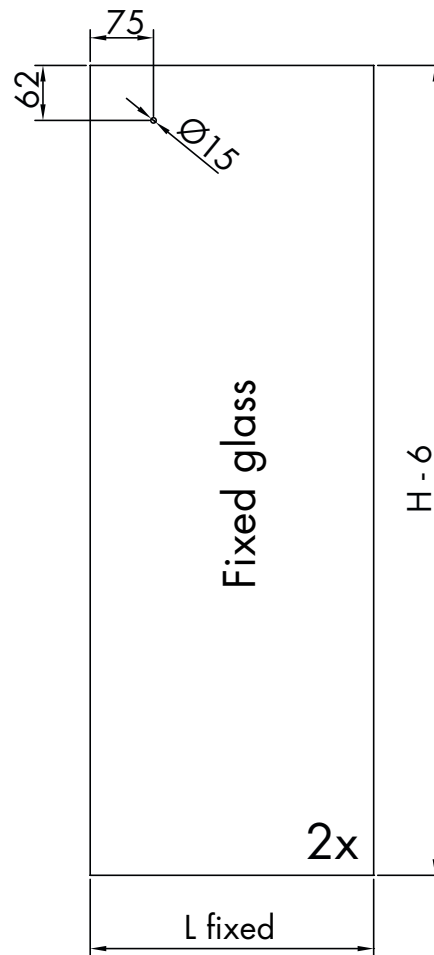
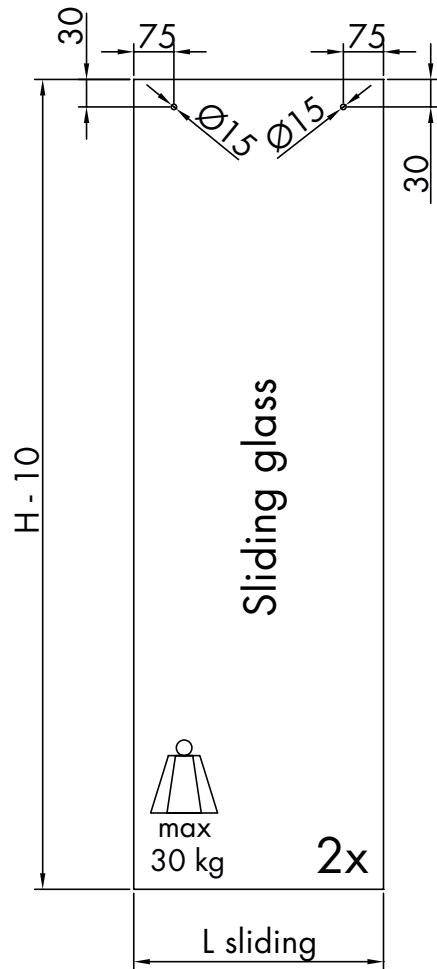


GLASS DIMENSIONING

- 1) Detect the L opening measurement
- 2) $L \text{ sliding} = L \text{ opening} / 2$
- 3) $L \text{ sliding} = H - 10$
- 4) $L \text{ fixed} = L \text{ sliding} - 20$
- 5) $H \text{ fixed} = H - 6$
- 6) $\text{Passage} = 0,7 \times (L \text{ opening} - 160)$

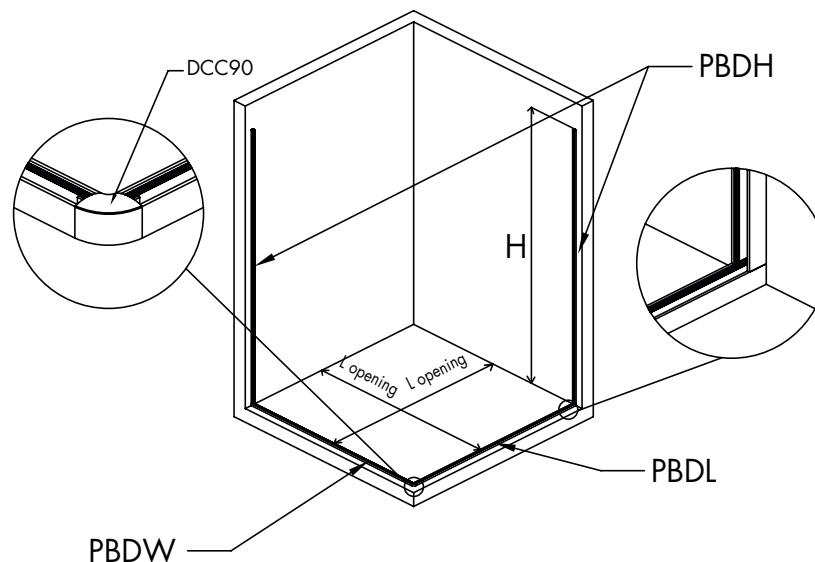
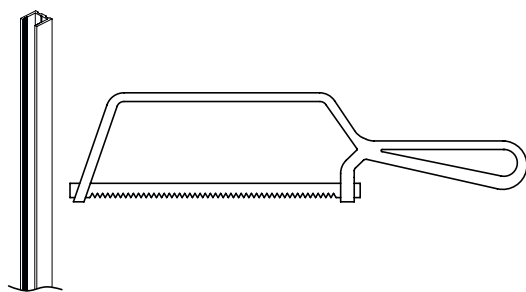
Floor guide to position next to the fixed glass on the floor profile


NB: the solution proposed in these instructions is of the same side type





Profiles preparation

1. Measure the length of the opening L opening
2. Affix demarcation marks on the profiles to cut them to the desired dimensions
3. Cut profiles to desired size with appropriate cutting tools and personal protective equipment.
Be careful not to bend the profiles when cutting



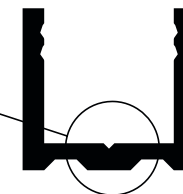
 PBDH (PBD3183) $L = H - 12\text{mm}$

 PBDL (PBD3183) $L = L \text{ opening} - 4\text{mm}$

 PBDW (PBD3183) $L = W - 4\text{mm}$

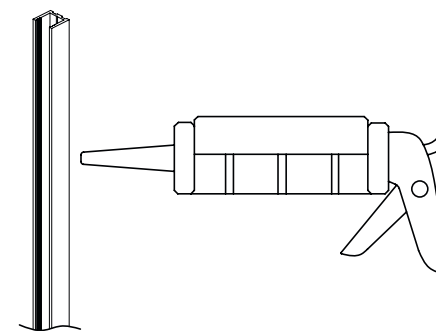
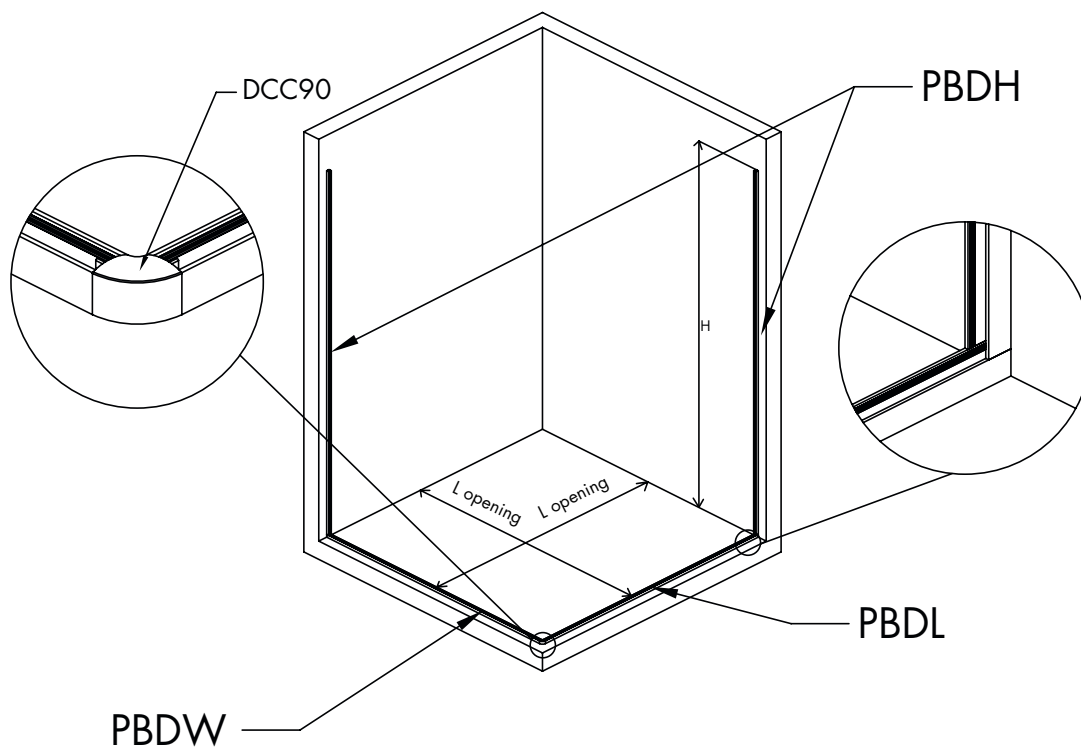
Profiles installation

4. Pre-drill the profiles using the appropriate guide rail

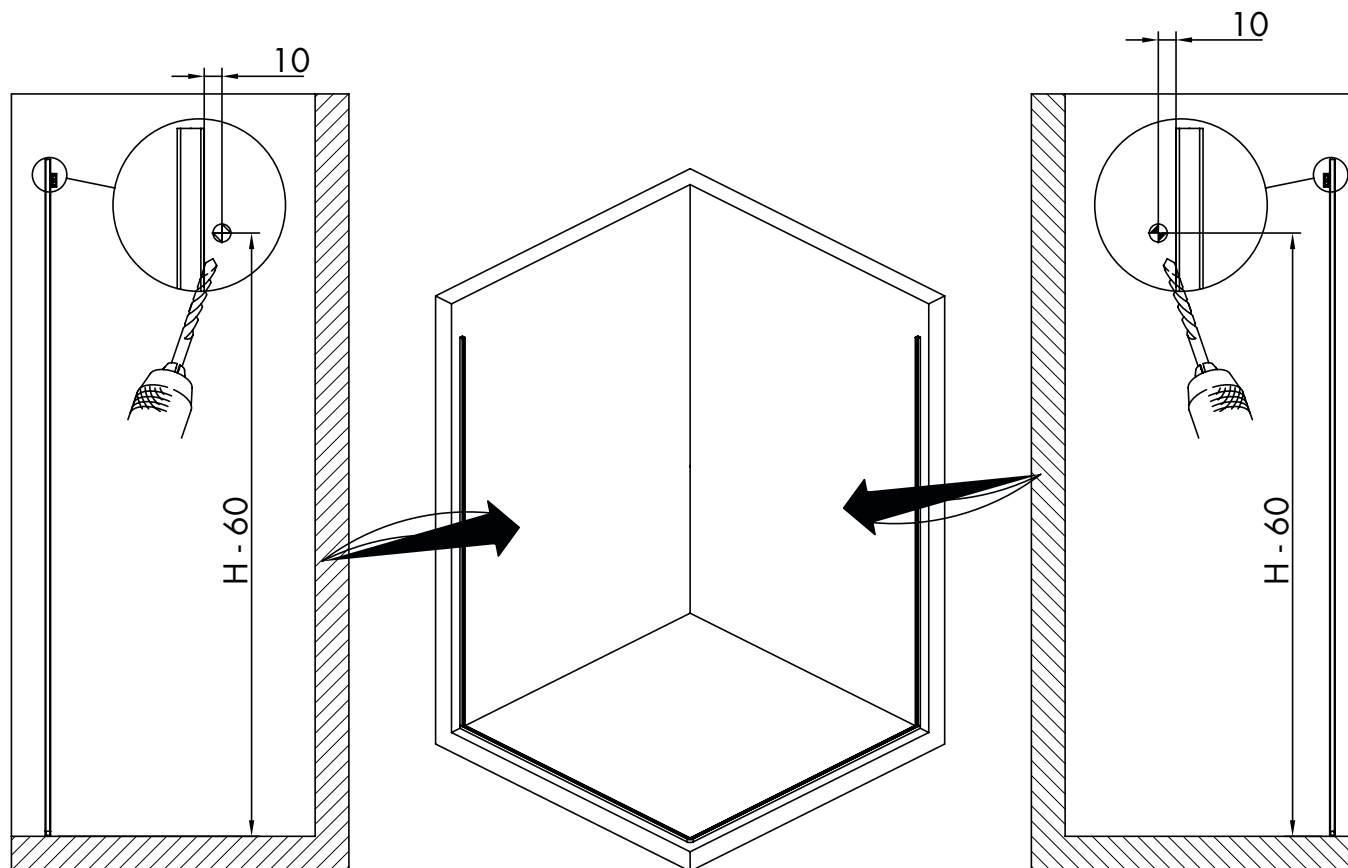


5. Install the profiles on the floor and on the wall

6. Seal profiles on the walls, from the interior sides of the shower enclosure



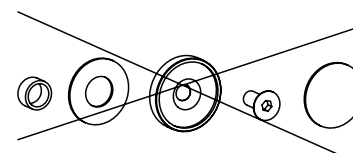
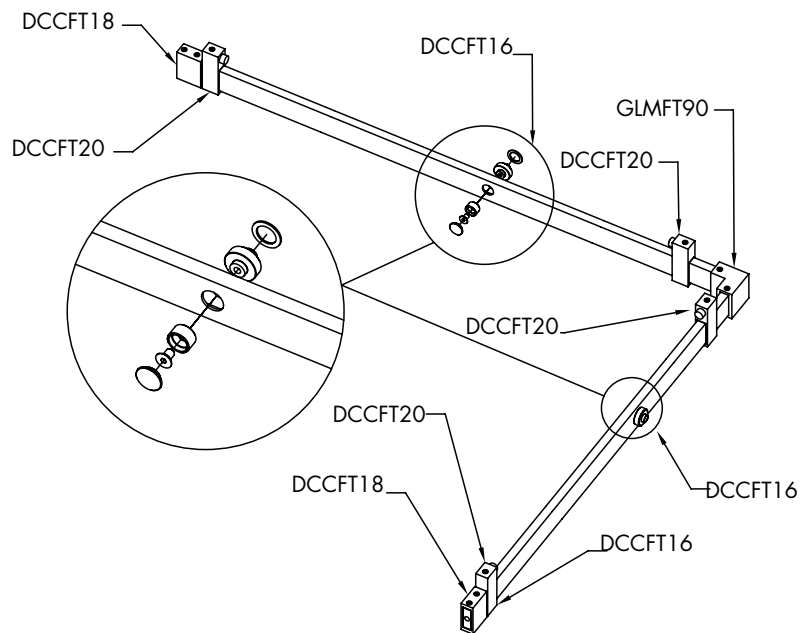
Preparing the installation of the sliding rail



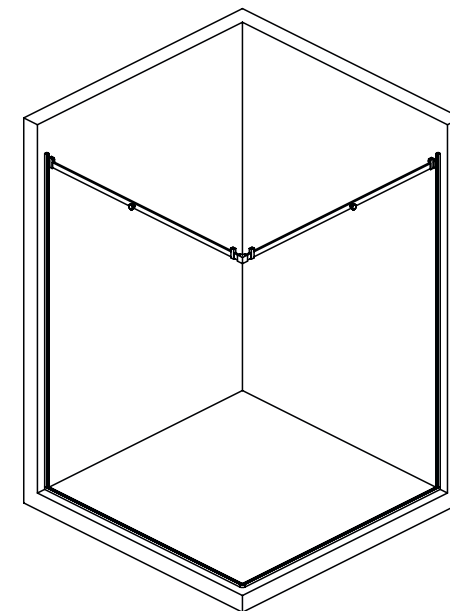
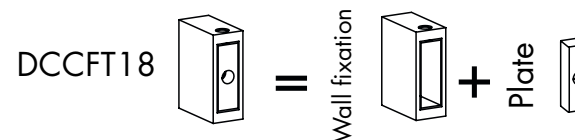
7. Affix demarcation marks on the wall, at height H-60mm and 10 mm from the inside of the profile (use a plumb line)
8. Drill the two walls and insert the fixing accessories (plugs or others depending on the type of support)

Installation of the rail

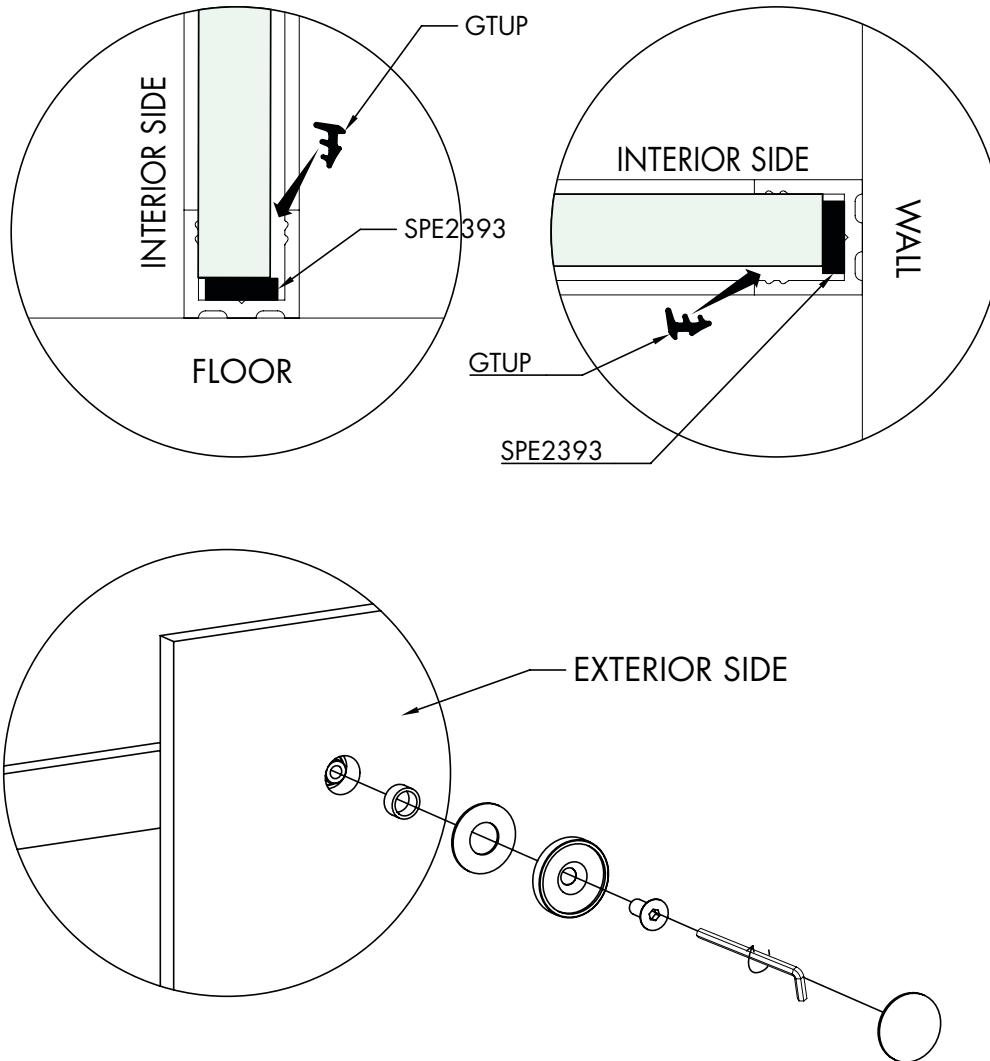
9. Insert the accessories on the guide taking care not to scratch them. Among the DCCFT18 accessories (wall connections), only the wall bracket is to be inserted on the rails with exposed screws inside the shower. For DCCFT16 accessories, do not install the parts shown opposite. Insert GLMFT90 with the screws facing up
10. Attach the DCCFT18 accessory plates
11. Install the rail by tightening the screws on the GLMFT18 & the GLMFT90 accessories



DCCFT16 - items not to install



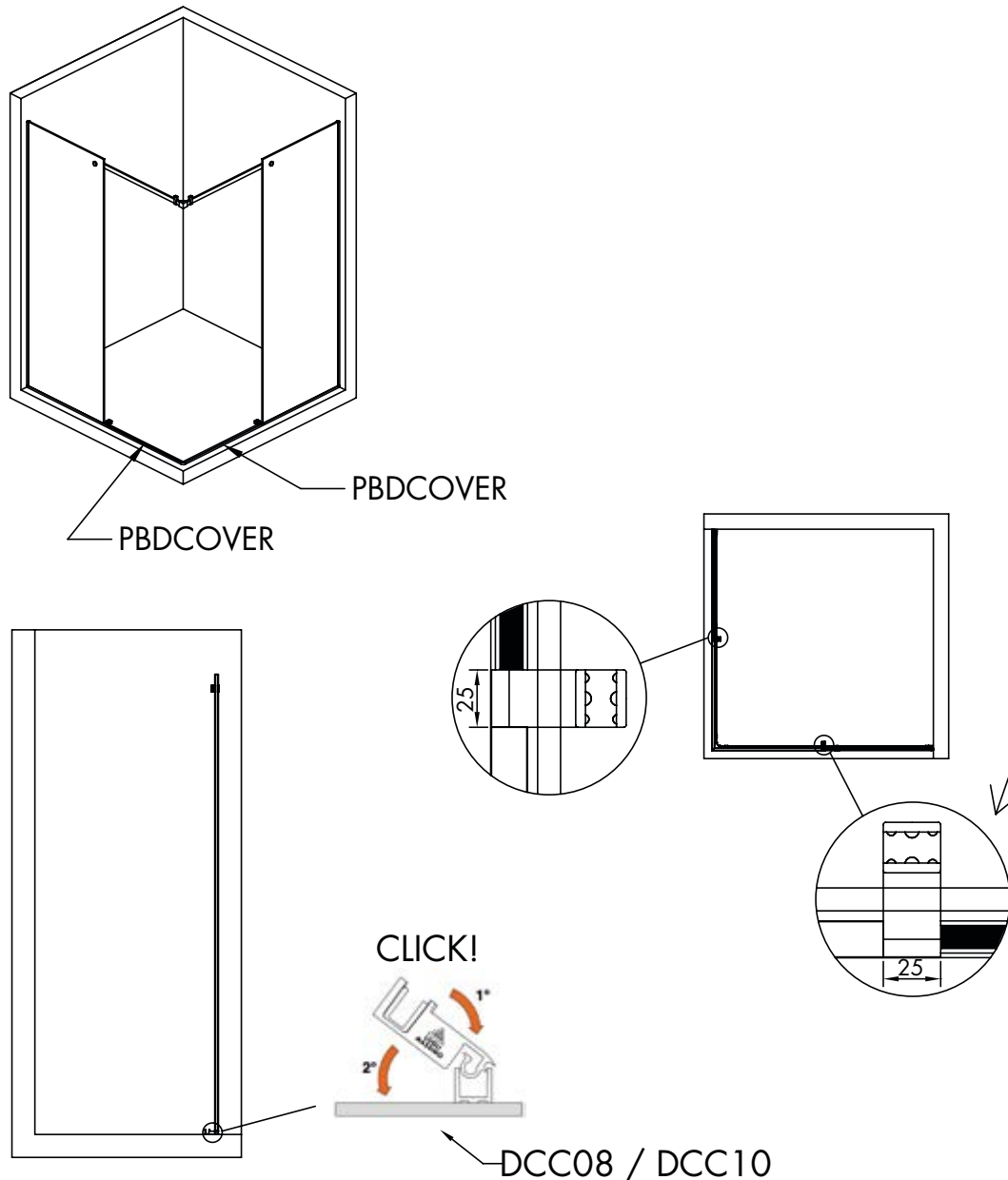
Fixed glass installation



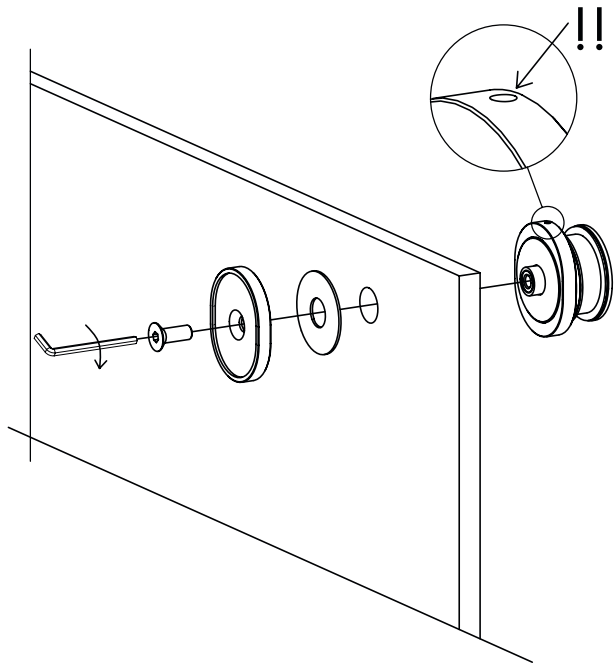
12. Insert shims into the profiles
13. Insert the fixed glass inside the profiles and lock it with a GTUP seal
14. Secure the fixed part to the guide using DCCFT16 accessories.

NB: Use shims type SPE2393 to space the fixed glass and profiles

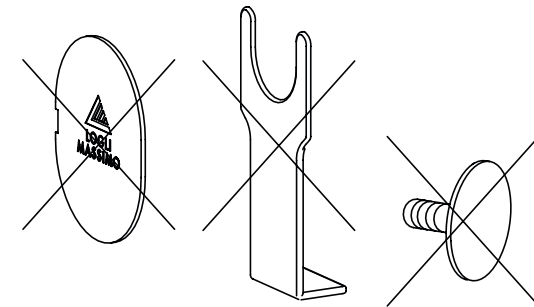
Installation of covers and floor guide



15. Attach the DCC08 / DCC10 ground guides to the edge of the fixed glass using the seal system shown in the figure
16. Note the size of the PBD3184 profiles for an adjusted cut
17. Cut the profiles using appropriate cutting tools and personal protective equipment, being careful not to bend the profiles while cutting
18. Install the profile PBD3184 previously cut to the desired size

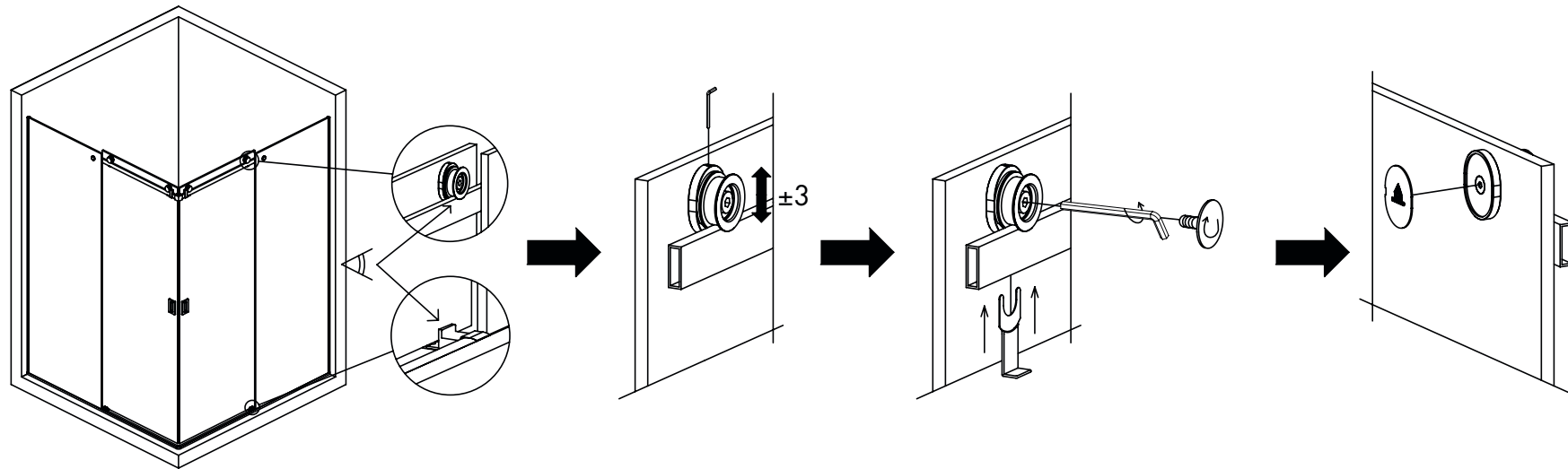


NO!



19. Pre-assemble the sliding rollers on the sliding door, as shown. Make sure the roller hole is on the top as shown

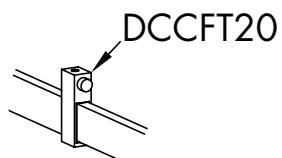
Do not install the components listed above!



20. Insert the sliding door making sure that the rollers are correctly positioned relative to the rail / guide and that the sliding glass is positioned inside the floor guide

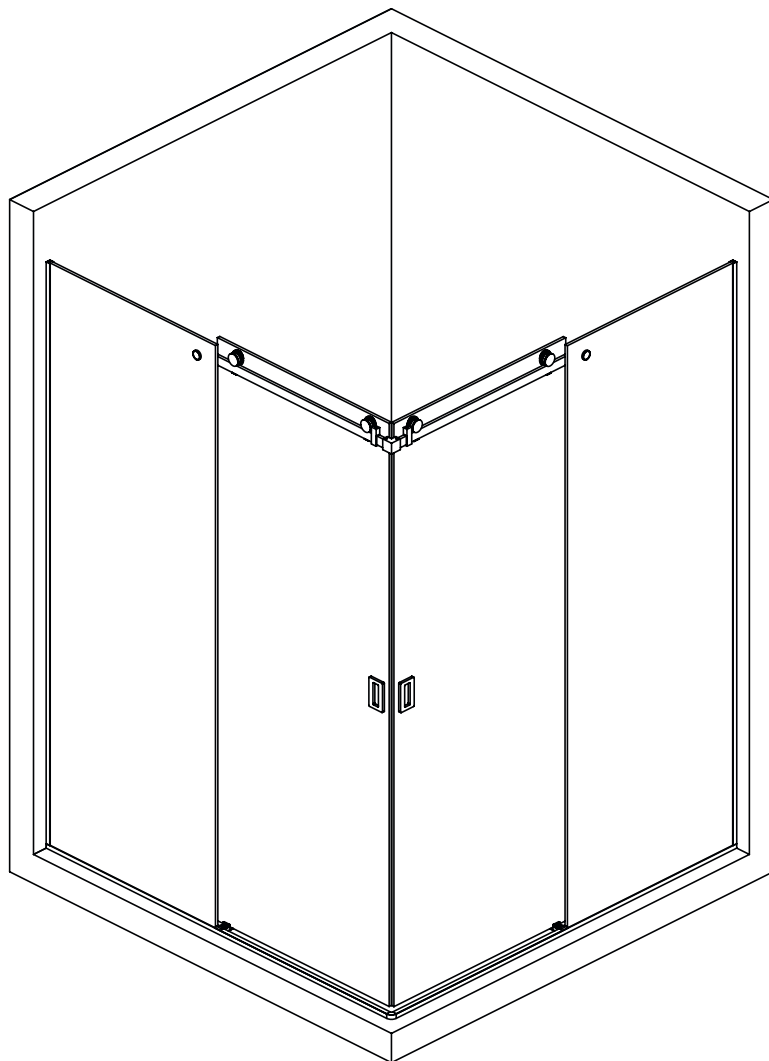
21. Adjust the vertical position of the rollers

22. Squeeze, slide and apply finish covers



23. Record the final position of the DCCFT20 by sliding the door and securing it to the rail using the appropriate keys

Final adjustments



24. Seal the joints inside the shower enclosure between the profiles and the fixed glass

25. Install GM gaskets

26. Install the adhesive handle

