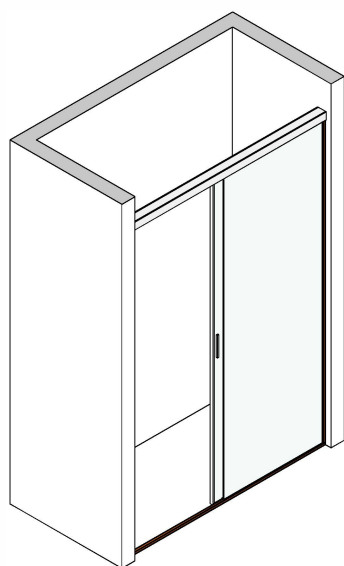
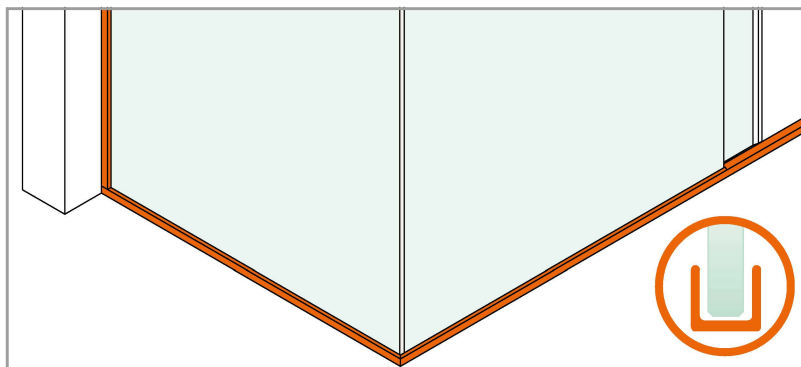


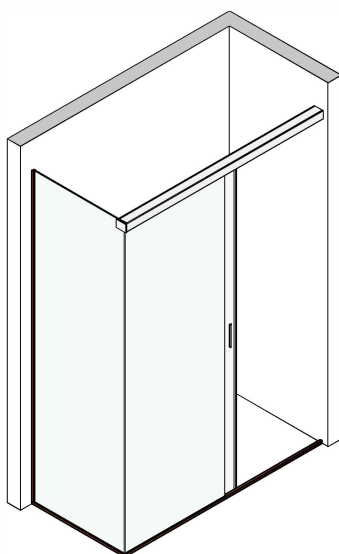
GOC CIA 50 U

ISTRUZIONI DI MONTAGGIO
ASSEMBLY INSTRUCTIONS
INSTRUCTIONS DE MONTAGE

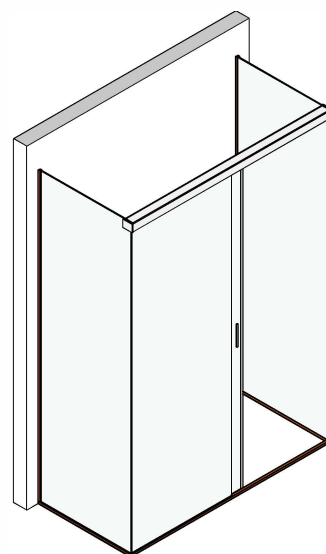
rev. 5.0



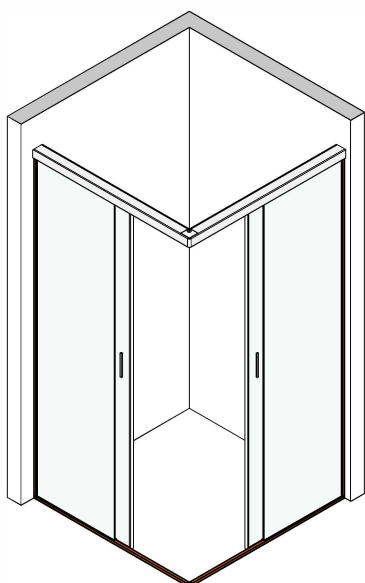
G50U10



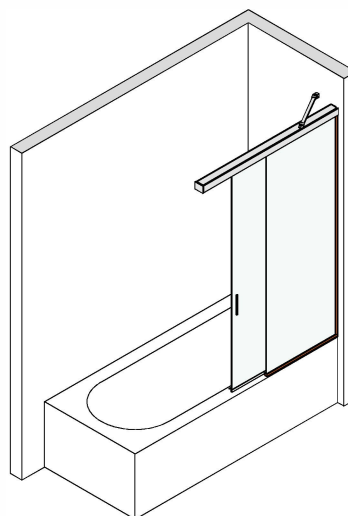
G50U20



G50U30



G50U40



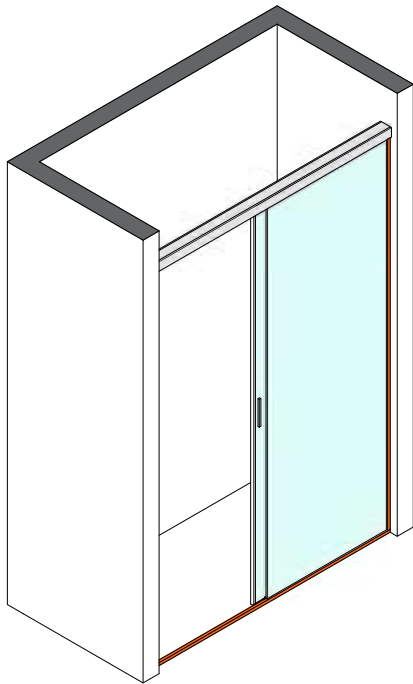
G50U50



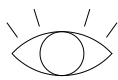
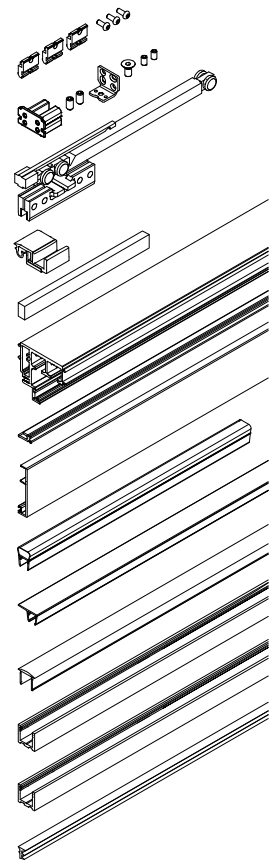
Type Approved
Safety
Regular Production
Surveillance

www.tuv.com
ID 1111292248

G50U10



(2)	G50KIT02	1 Kit
(3)	G50KIT03	2 Kit
(1)	G50KIT01	2 Kit
(7)	DCU108CT	1 Pz
(9)	MAN500V150	2 Pz
(10)	LM5859	1 Pz
(11)	057.3078.002	3 m
(12)	LM0859	2 Pz
(13)	GM06	1 Pz
(14)	GM1410	1 Pz
(15)	PBD3184	1 Pz
(16)	PBD3183	1 Pz
(17)	PBD3183	1 Pz
(18)	GTUP	5 m

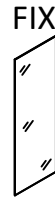


! LV (max 1500 mm)
H (max 2250 mm)



$$L_g = (LV + 32) / 2$$

$$H_g = H - 48$$

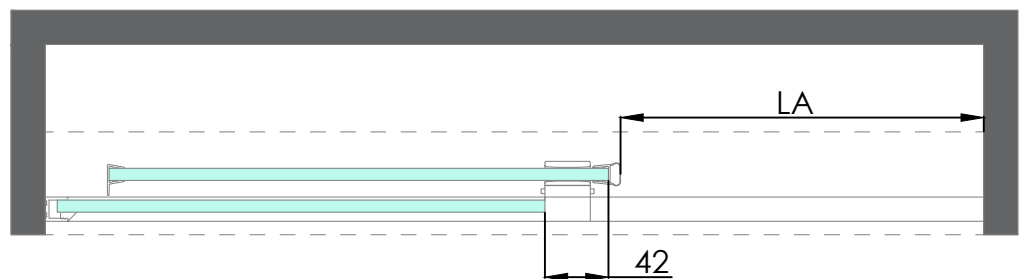
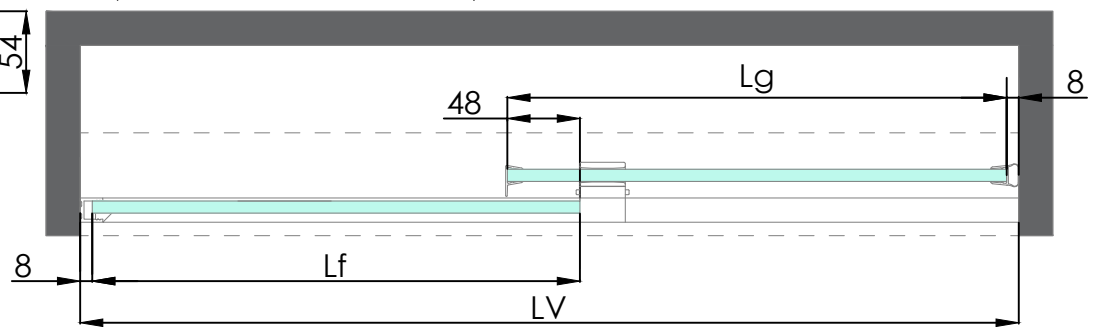
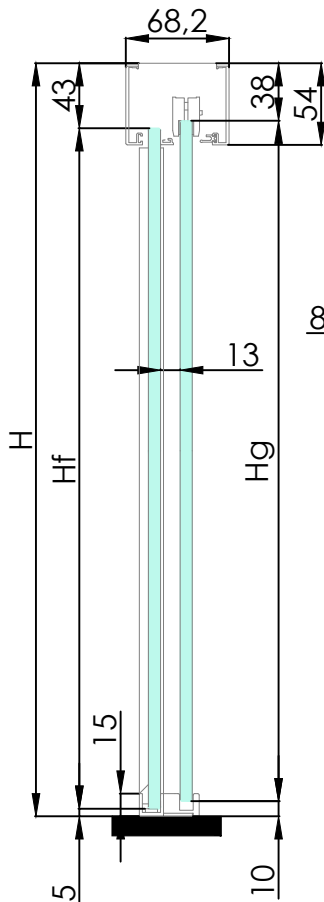


$$L_f = L_g$$

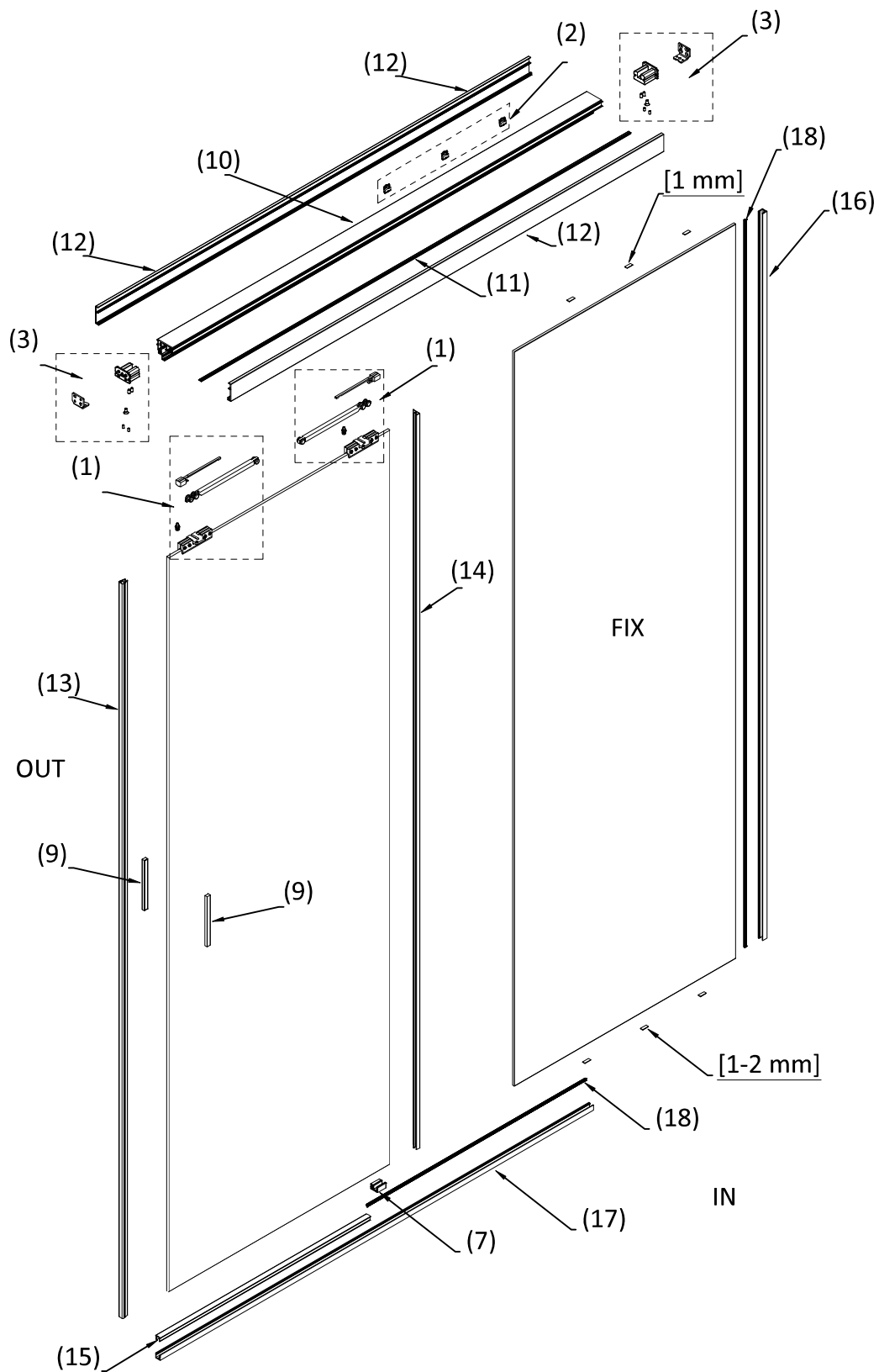
$$H_f = H_g$$



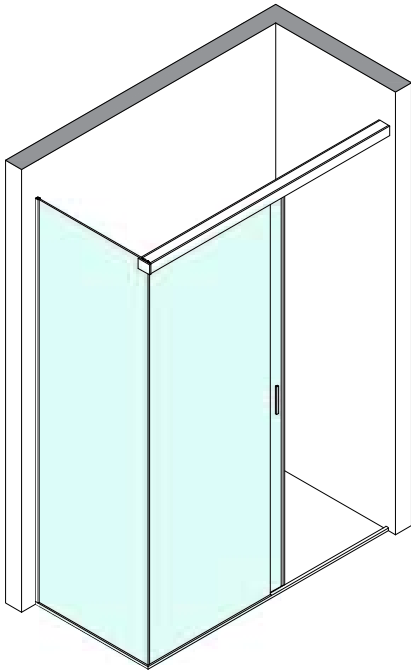
$$LA = (LV - 148) / 2$$



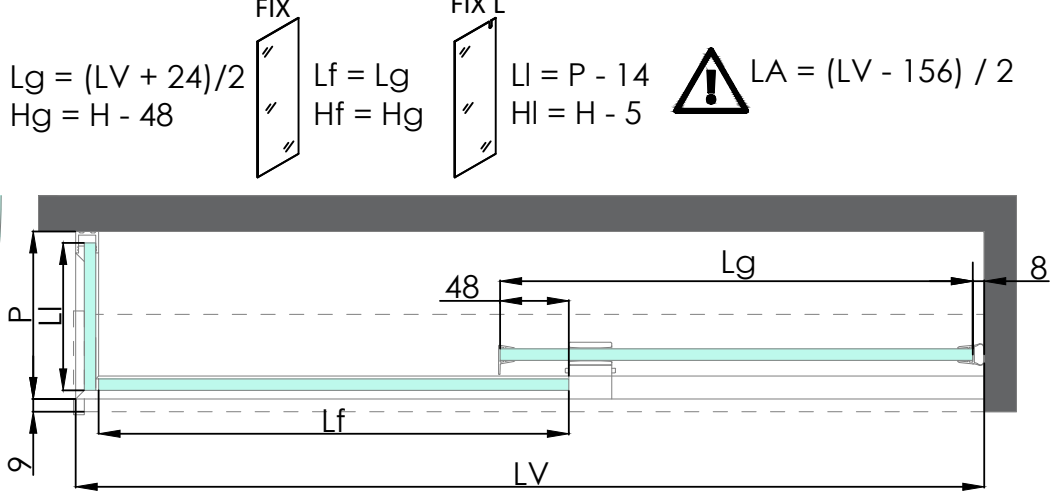
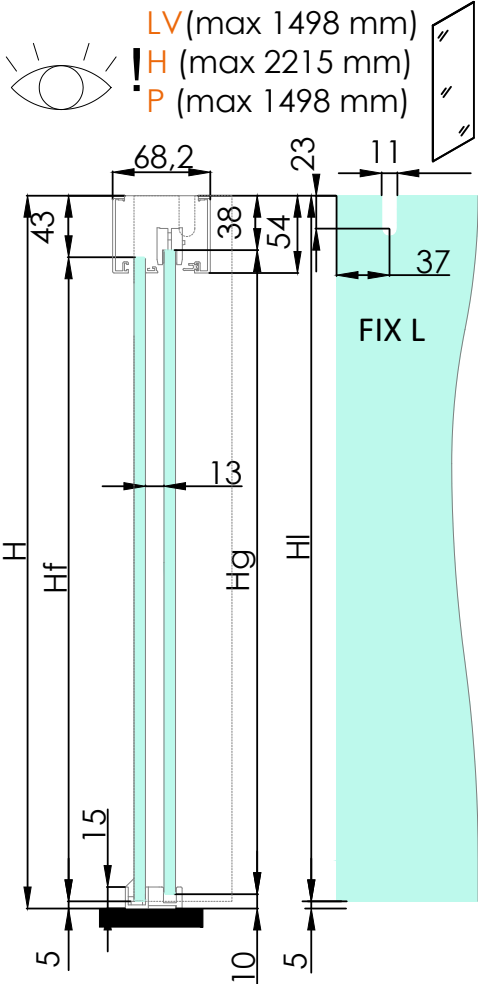
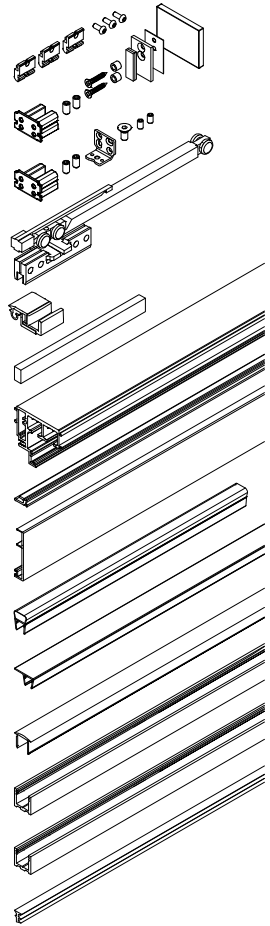
(mm)



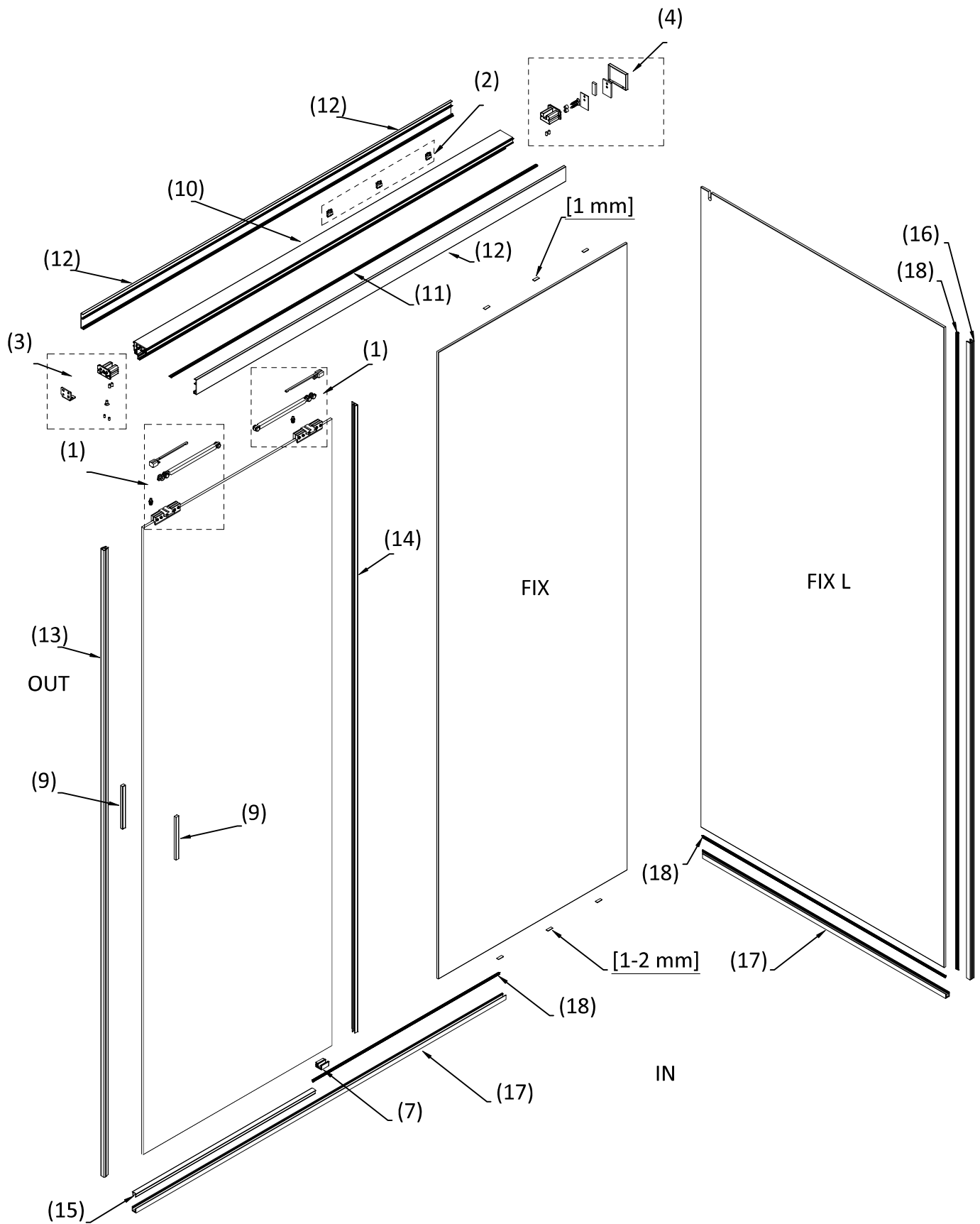
G50U20



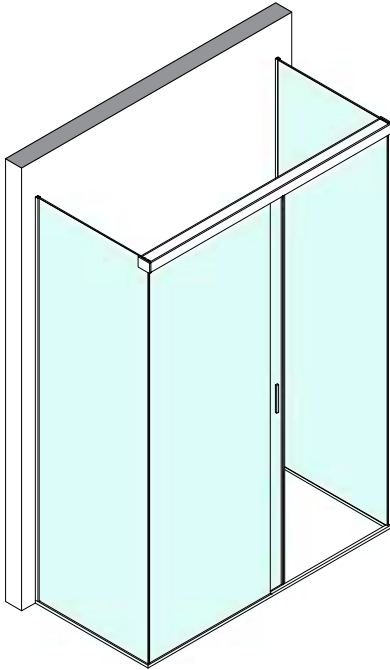
(2)	G50KIT02	1 Kit
(4)	G50KIT04	1 Kit
(3)	G50KIT03	1 Kit
(1)	G50KIT01	2 Kit
(7)	DCU108CT	1 Pz
(9)	MAN500V150	2 Pz
(10)	LM5859	1 Pz
(11)	057.3078.002	3 m
(12)	LM0859	2 Pz
(13)	GM06	1 Pz
(14)	GM1410	1 Pz
(15)	PBD3184	1 Pz
(16)	PBD3183	1 Pz
(17)	PBD3183	1 Pz
(18)	GTUP	6 m



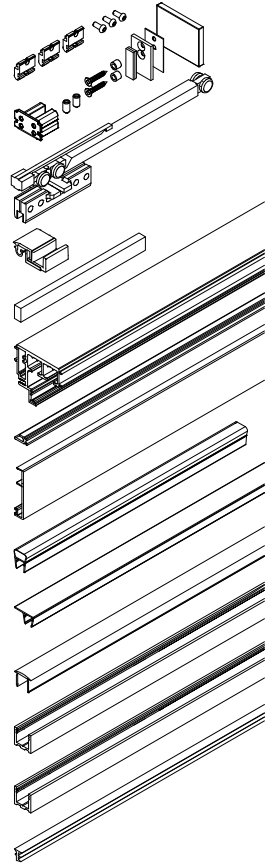
(mm)



G50U30



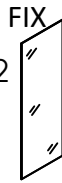
(2)	G50KIT02	1 Kit
(4)	G50KIT04	2 Kit
(1)	G50KIT01	2 Kit
(7)	DCU108CT	1 Pz
(9)	MAN500V150	2 Pz
(10)	LM5859	1 Pz
(11)	057.3078.002	3 m
(12)	LM0859	2 Pz
(13)	GM06	1 Pz
(14)	GM1410	1 Pz
(15)	PBD3184	1 Pz
(16)	PBD3183	1 Pz
(17)	PBD3183	1 Pz
(18)	GTUP	4 m



LV (max 1498 mm)
H (max 2215 mm)
P (max 1098 mm)

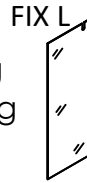
$$Lg = (LV + 10) / 2$$

$$Hg = H - 48$$



$$Lf = Lg$$

$$Hf = Hg$$

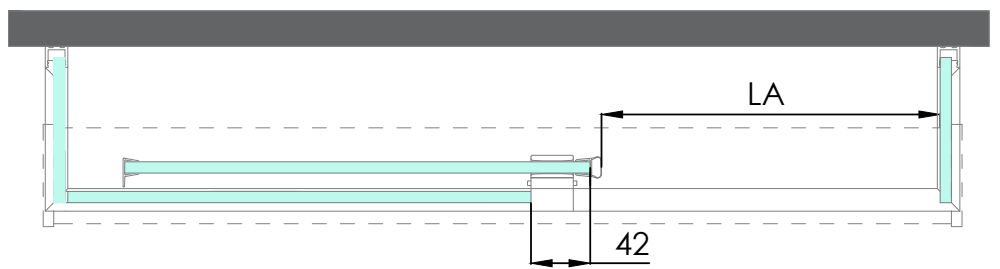
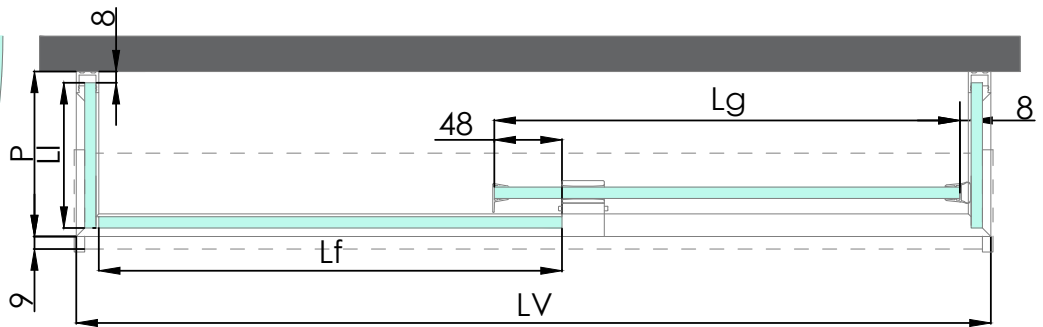
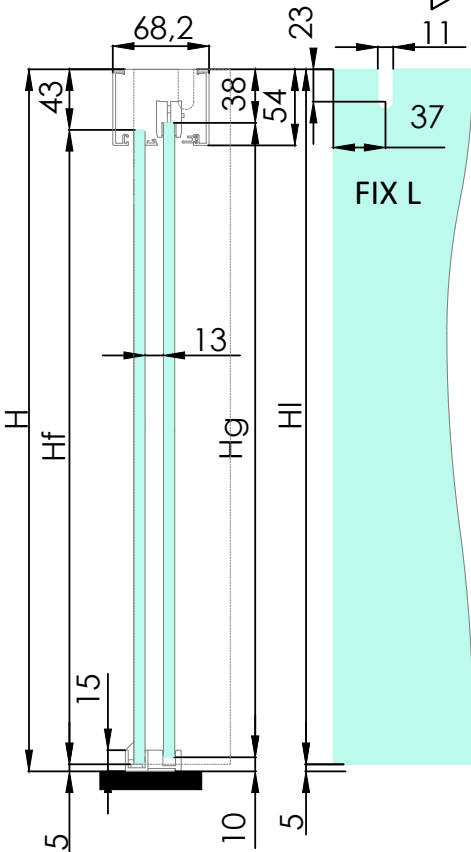


$$Li = P - 14$$

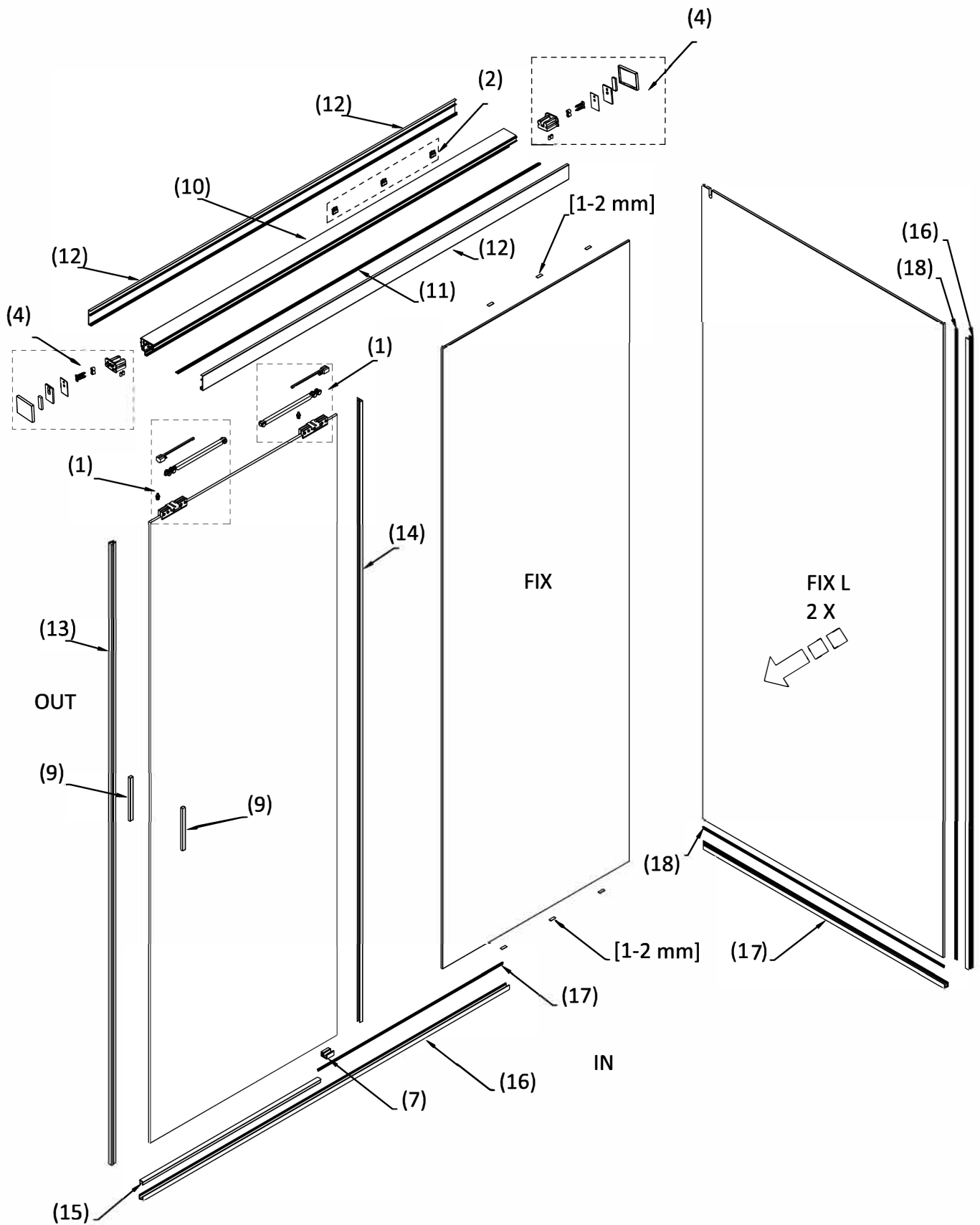
$$Hi = H - 5$$



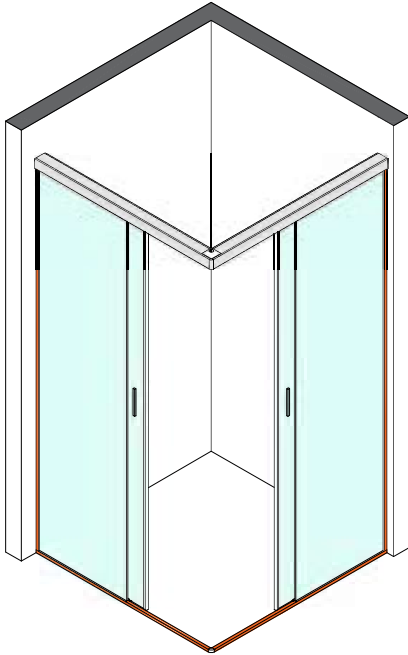
$$LA = (LV - 170) / 2$$



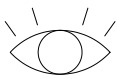
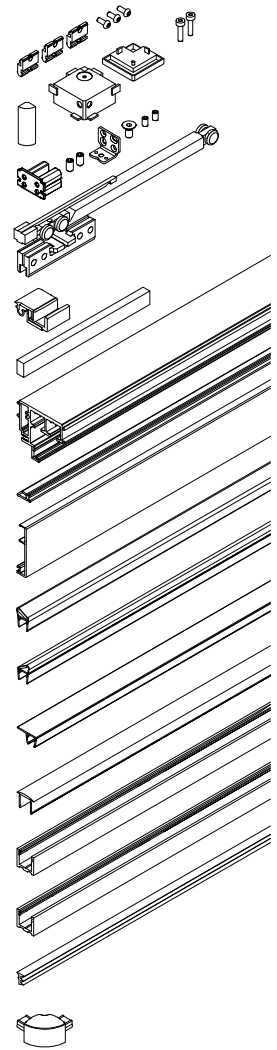
(mm)



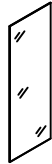
G50U40



(2)	G50KIT02	2 Kit
(5)	G50KIT05	1 Kit
(3)	G50KIT03	2 Kit
(3)	G50KIT01	4 Kit
(7)	DCU108CT	2 Pz
(9)	MAN500V150	4 Pz
(10)	LM5859	2 Pz
(11)	057.3078.002	6 m
(12)	LM0859	4 Pz
(23)	GM15DX	1 Pz
(23)	GM15SX	1 Pz
(14)	GM1410	2 Pz
(15)	PBD3184	2 Pz
(17)	PBD3183	2 Pz
(17)	PBD3183	2 m
(18)	GTUP	8 Pz
(24)	DCC90	1 Pz

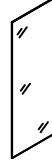


! LV (max 1000 mm)
H (max 2247 mm)



$Lg = LV / 2$
 $Hg = H - 48$

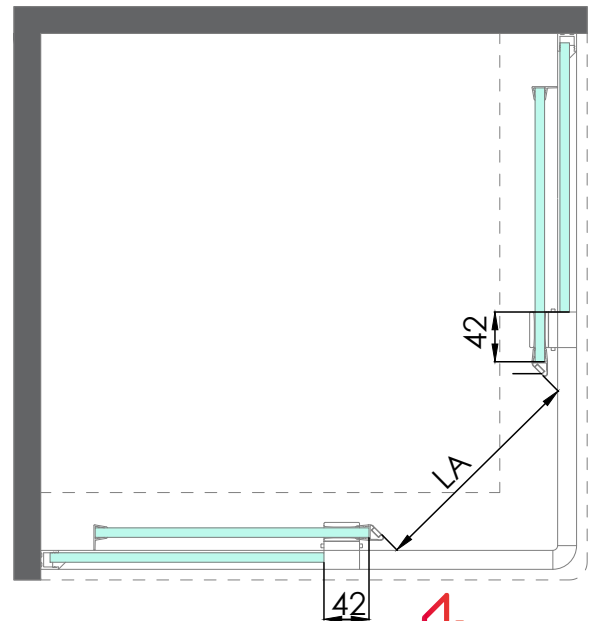
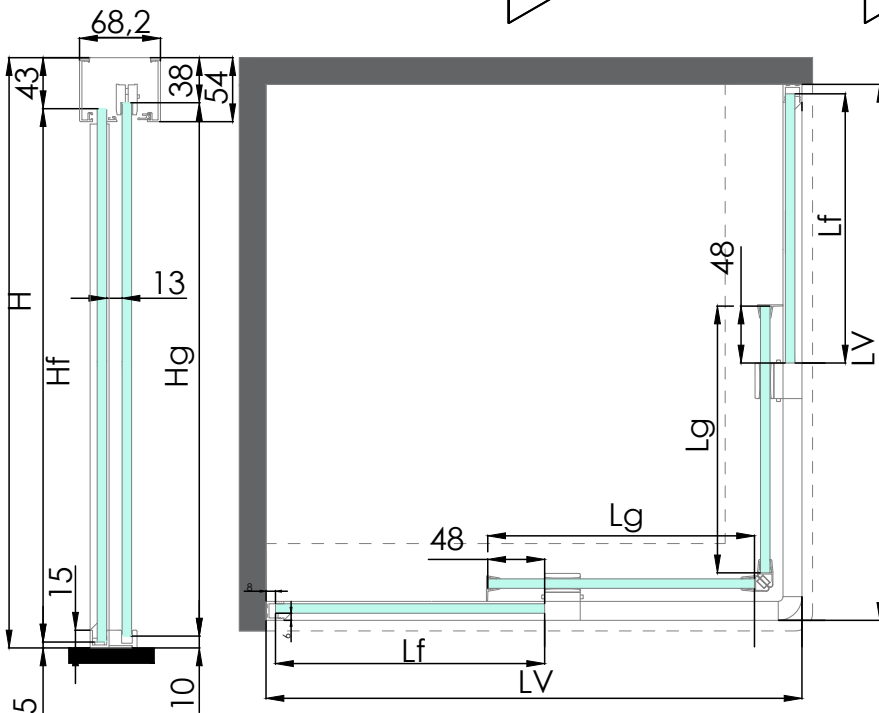
FIX

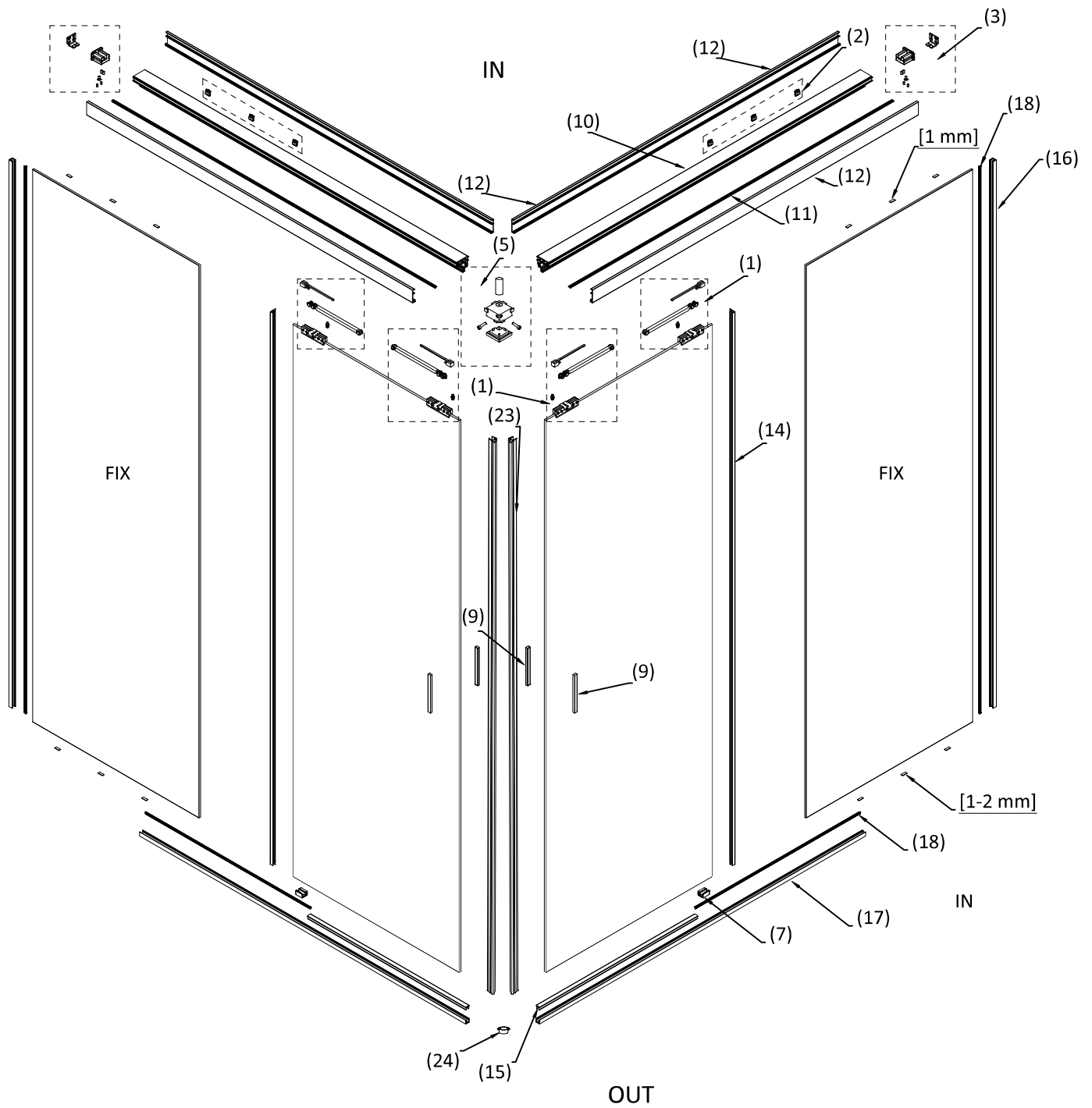


$Lf = Lg$
 $Hf = Hg$

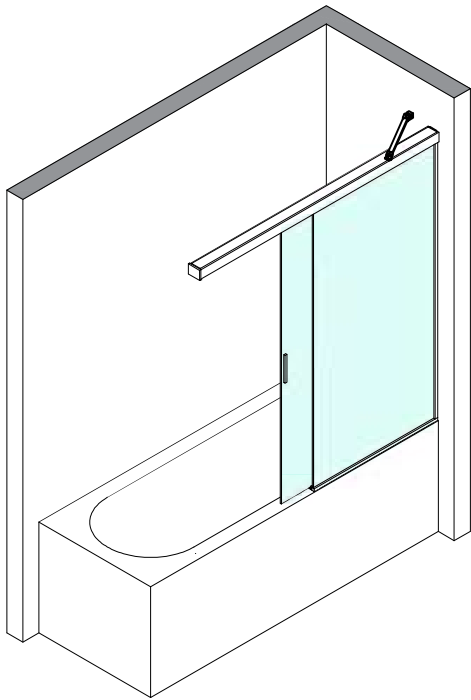


$LA = 0,7x(LV - 200)$

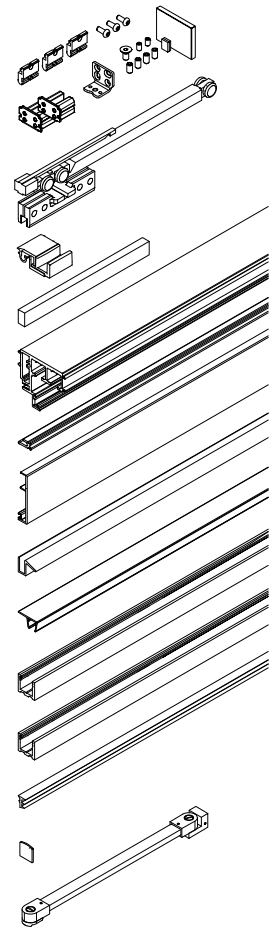




G50U50



(2)	G50KIT02	1 Kit
(6)	G50KIT06	1 Kit
(1)	G50KIT01	2 Kit
(8)	DCV108CT	1 Pz
(9)	MAN500V150	2 Pz
(10)	LM5859	1 Pz
(11)	057.3078.002	3 m
(12)	LM0859	2 Pz
(20)	GM900807	1 Pz
(14)	GM1410	1 Pz
(16)	PBD3183	1 Pz
(17)	PBD3183	1 Pz
(18)	GTUP	5 m
(19)	PBDTP	1 Pz
(22)	DQGKIT26	1 Kit

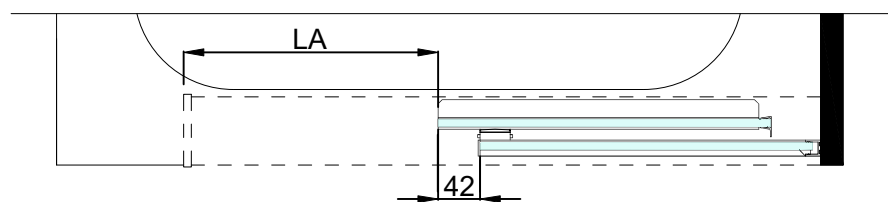
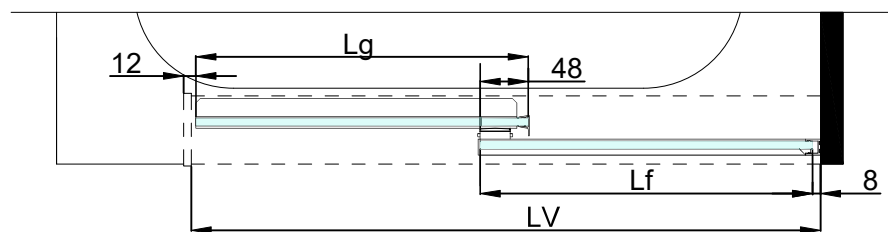
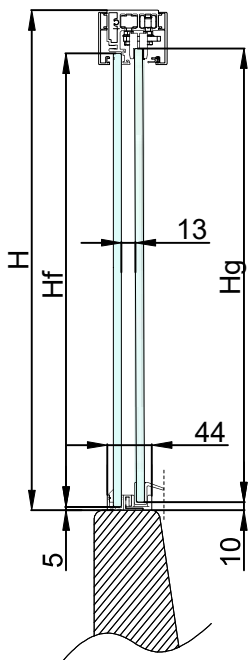


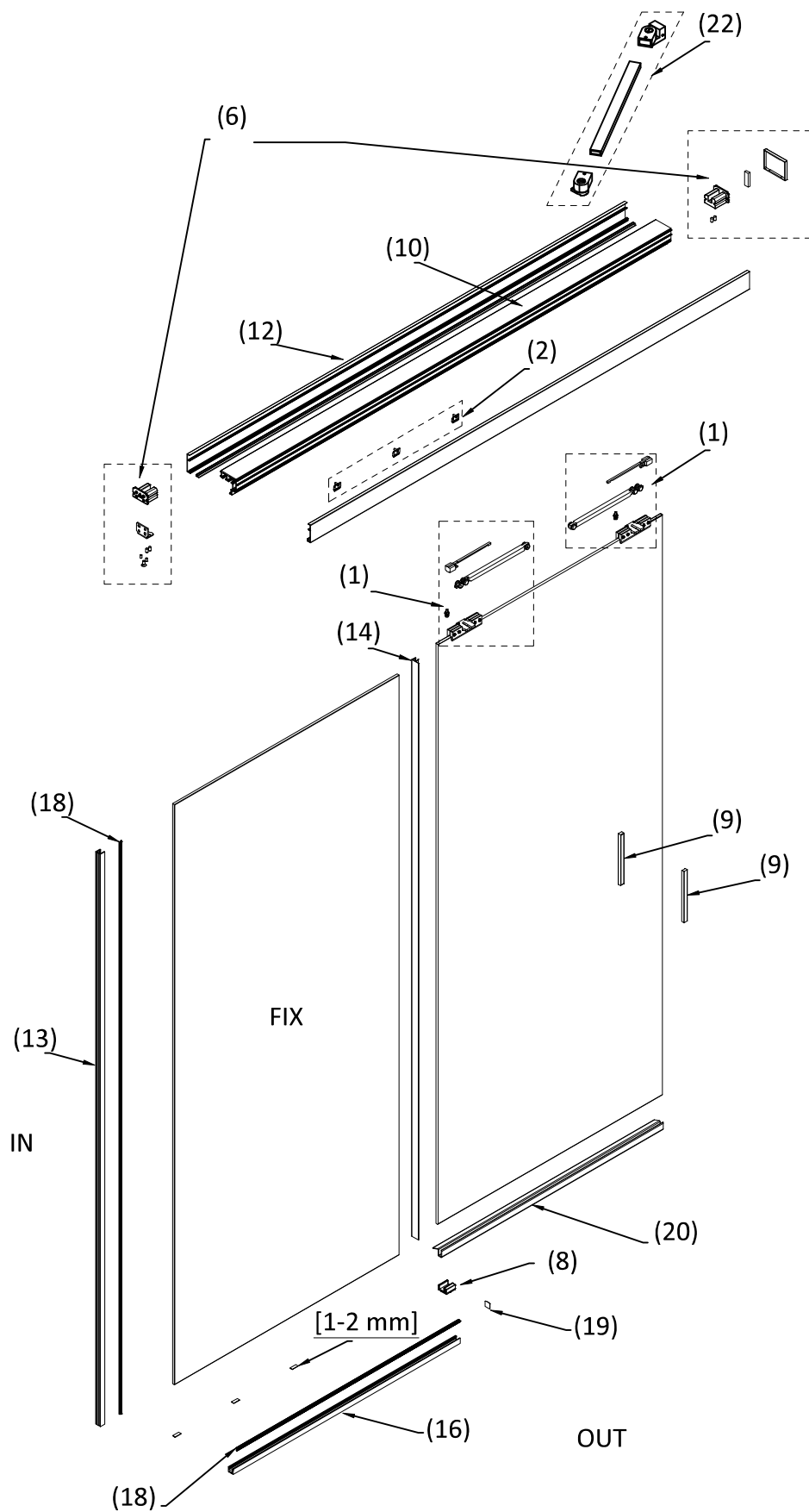
! LV (max 1200 mm)
H (max 1750 mm)

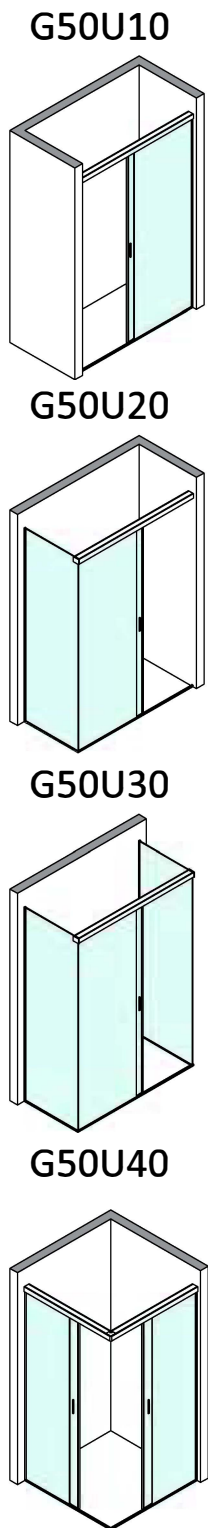
$Lg = (LV + 28) / 2$
 $Hg = H - 48$

$Lf = Lg$
 $Hf = Hg$

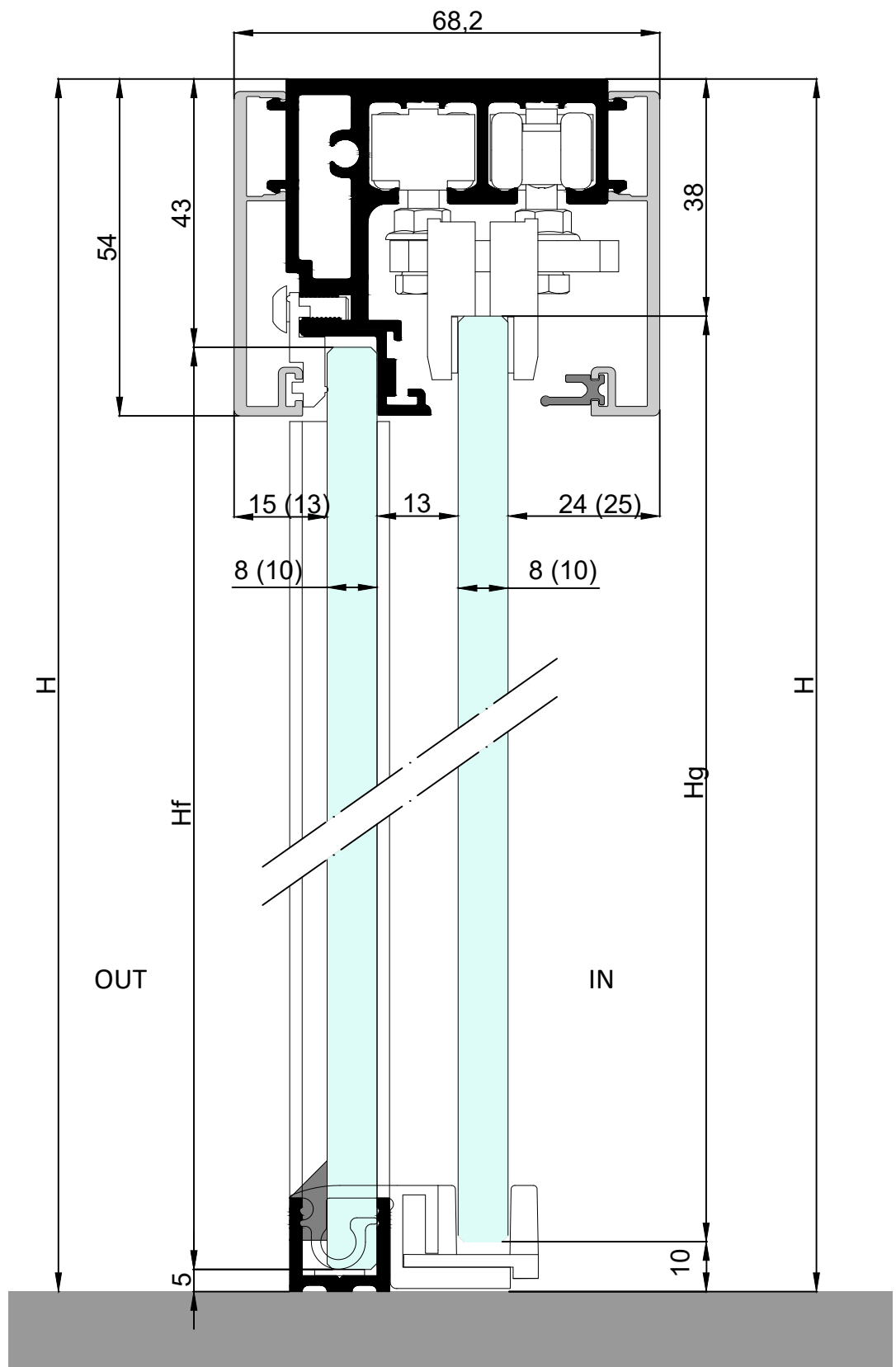
$LA = (LV - 128) / 2$



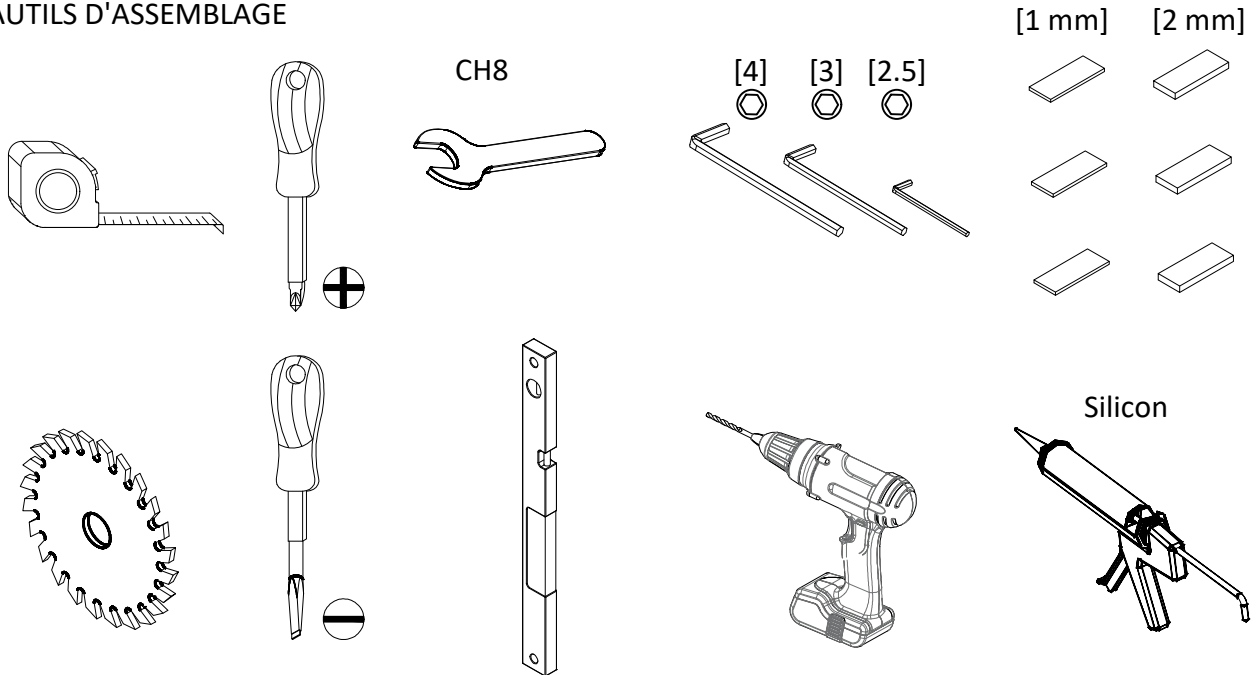




(mm)

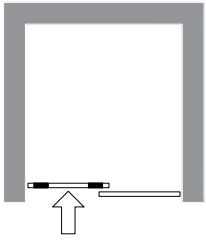


STRUMENTI PER IL MONTAGGIO
ASSEMBLY TOOLS
AUTILS D'ASSEMBLAGE

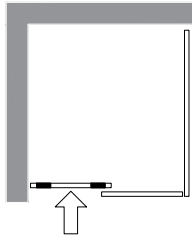


(10)	LV - 16 mm	LV - 26mm	LV - 38mm	LV - 67mm	LV - 20mm
(12)	LV - 2mm	LV-16mm (in) LV - 4mm (out)	LV-30 mm(in) LV-8 mm(out)	LV-61 mm (in) LV mm (out)	LV- 5mm
(15)	$\frac{LV - 108mm}{2}$	$\frac{LV - 116mm}{2}$	$\frac{LV - 130mm}{2}$	$\frac{LV- 116mm}{2}$	
(16)	H - 71mm	H - 15mm	H - 15mm	H - 71mm	H - 71mm
(17)	LV - 2mm	LV (cut 45°) P (cut 45°)	LV (2 cut 45°) 2x P (cut 45°)	LV - 20mm	$\frac{LV+ 44mm}{2}$

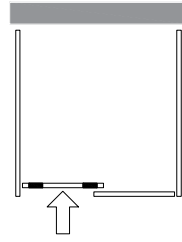
G50U10



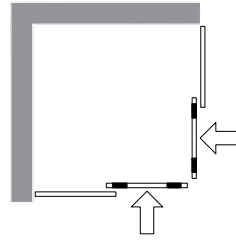
G50U20



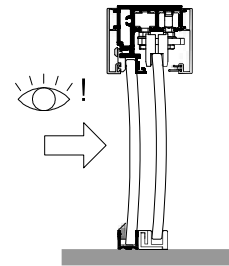
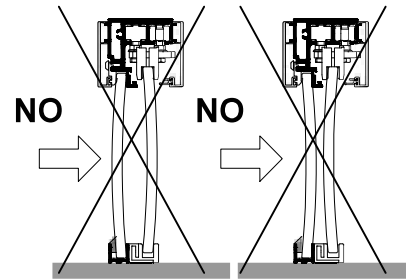
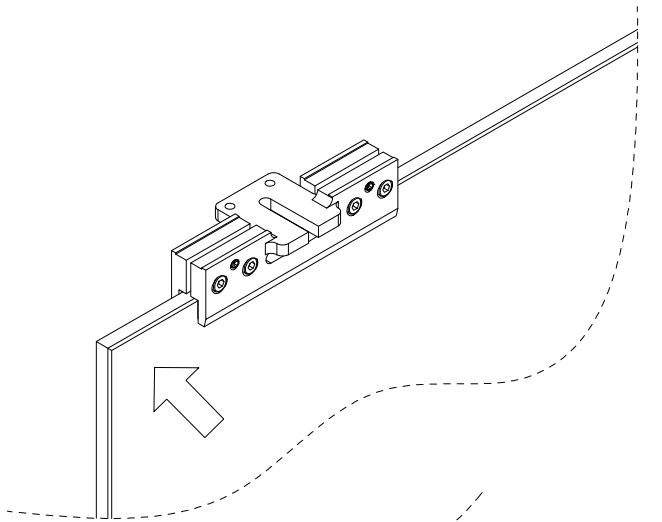
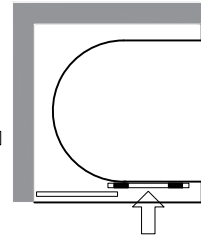
G50U30



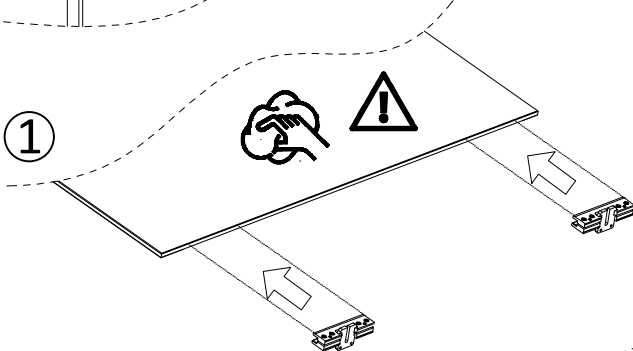
G50U40



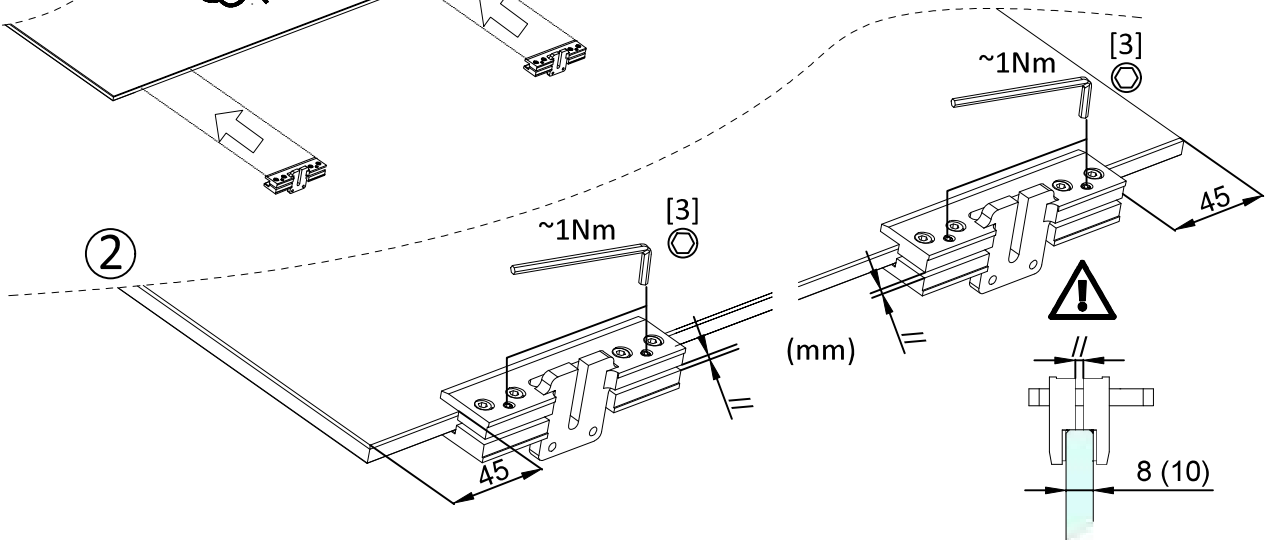
G50U50



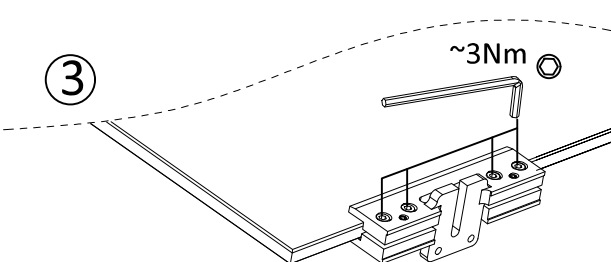
①



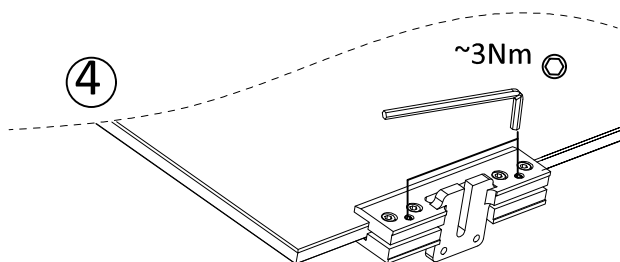
②

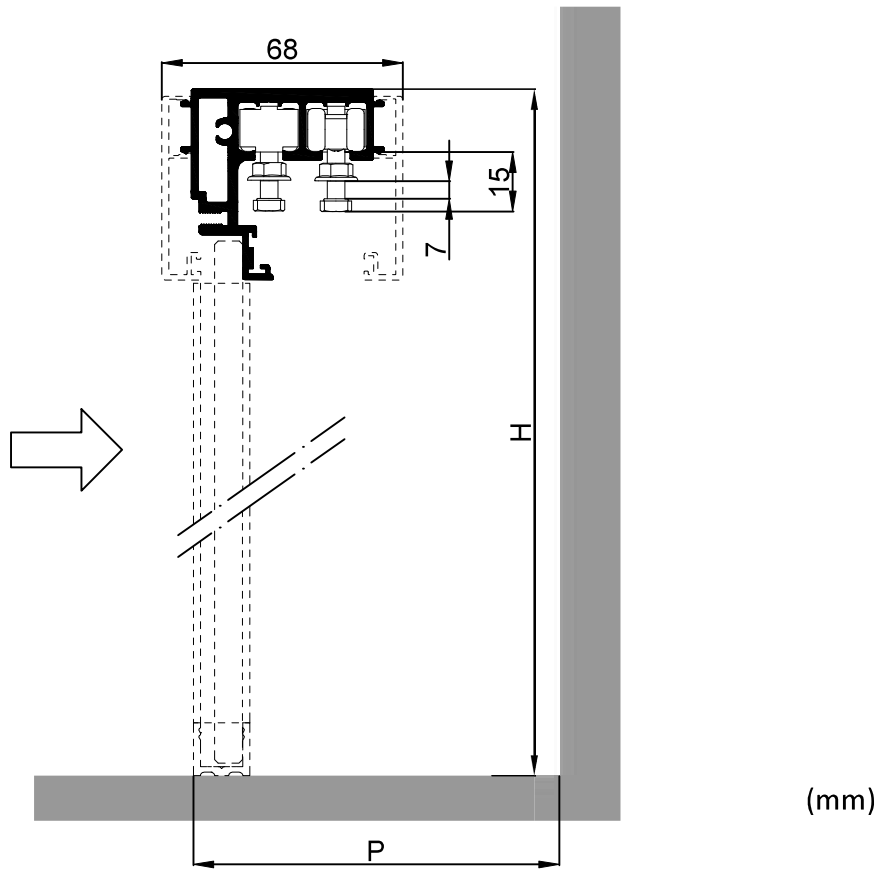
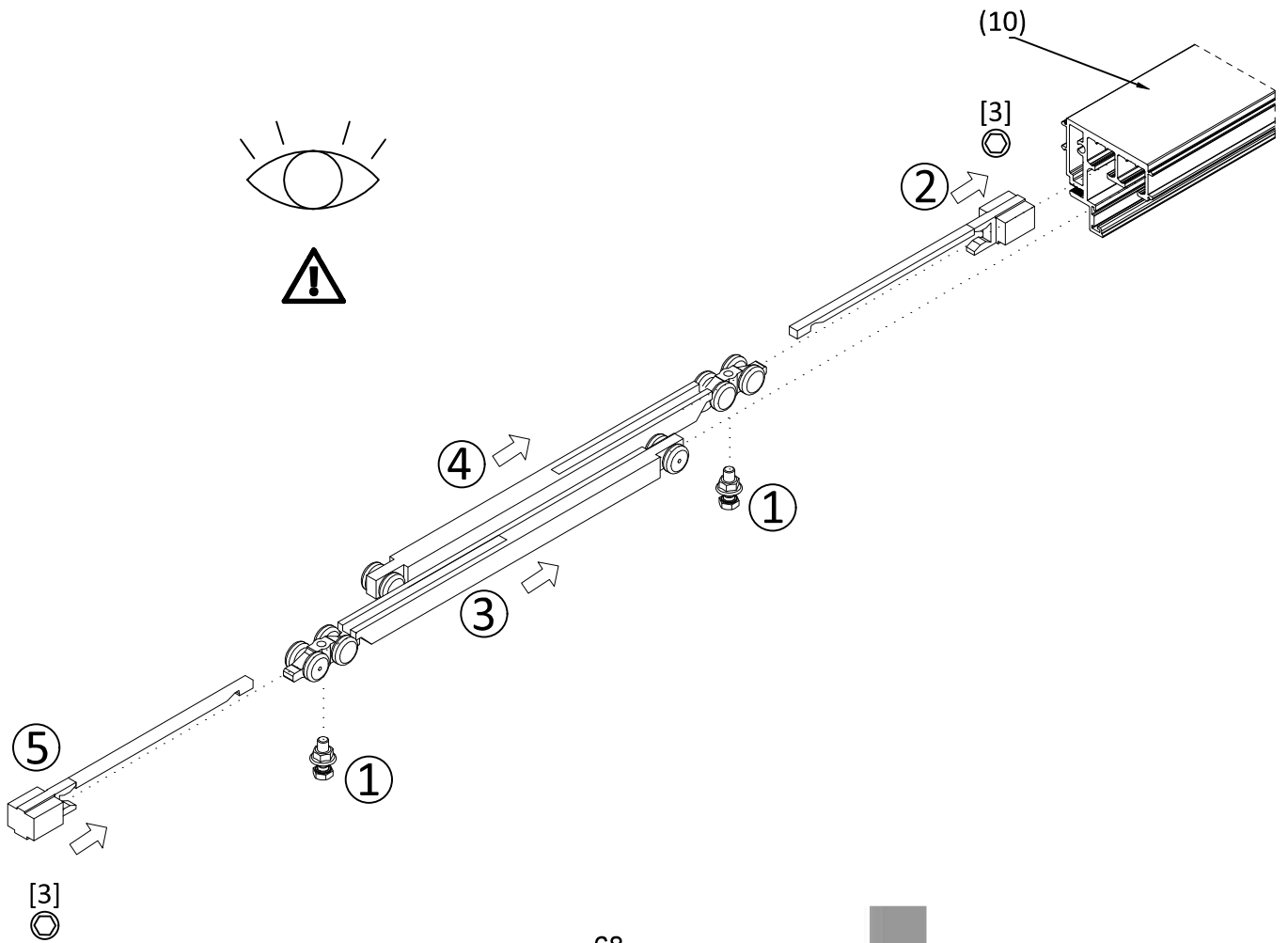


③

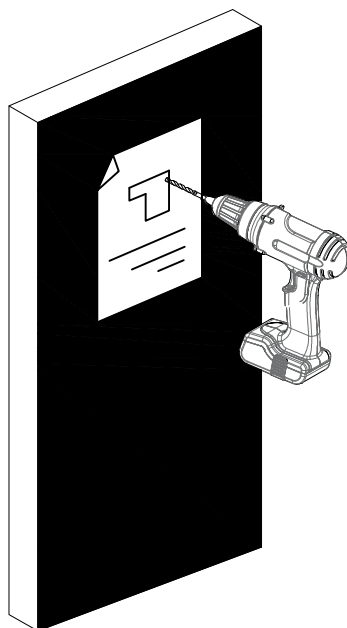
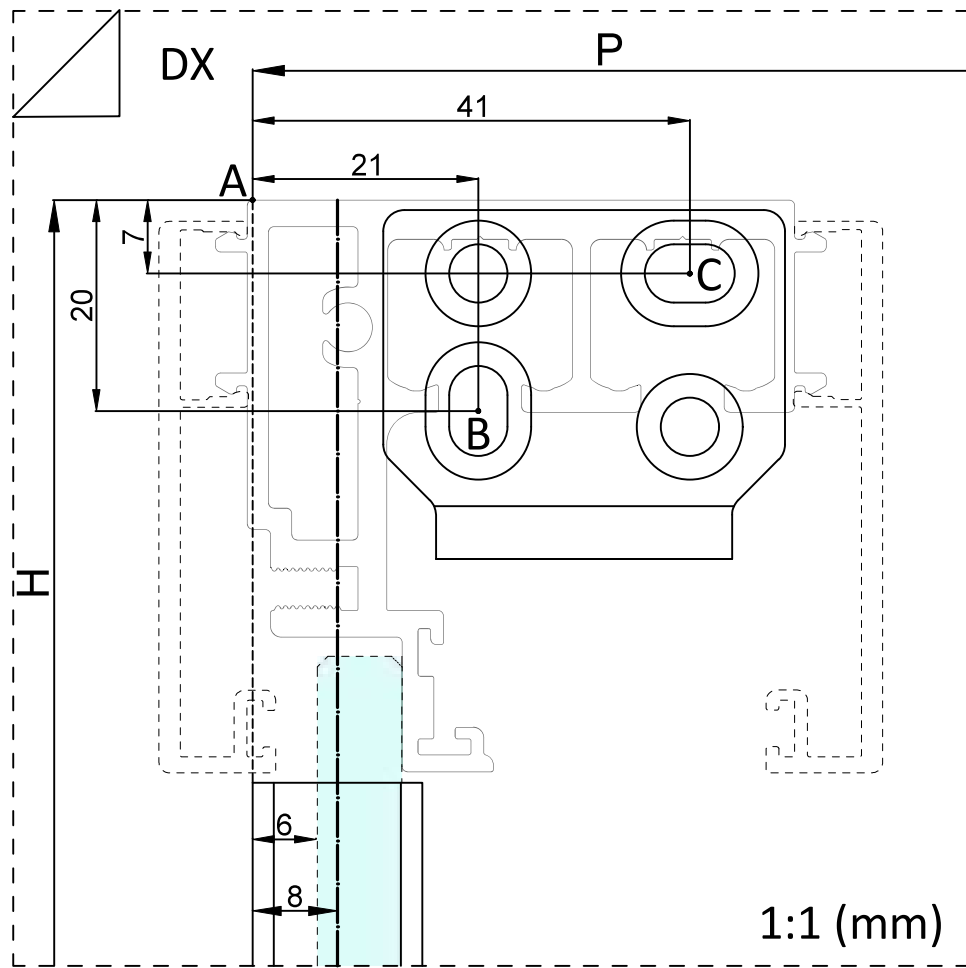


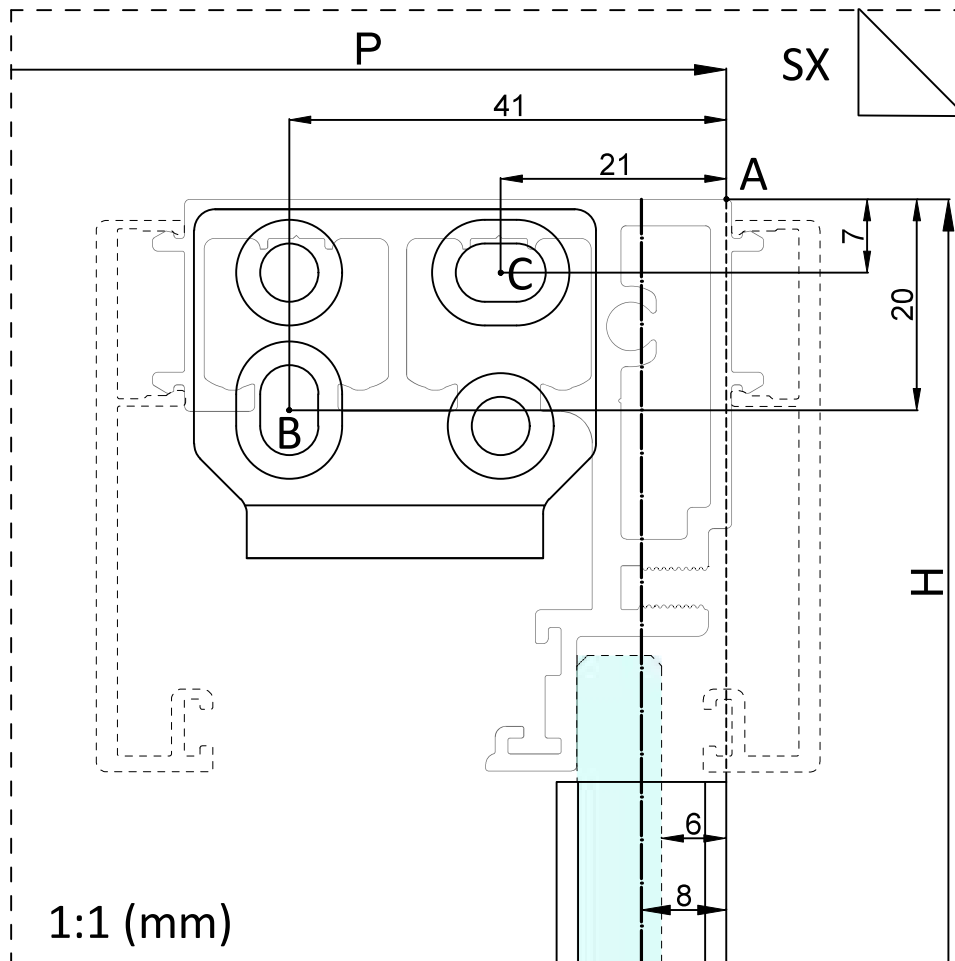
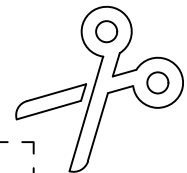
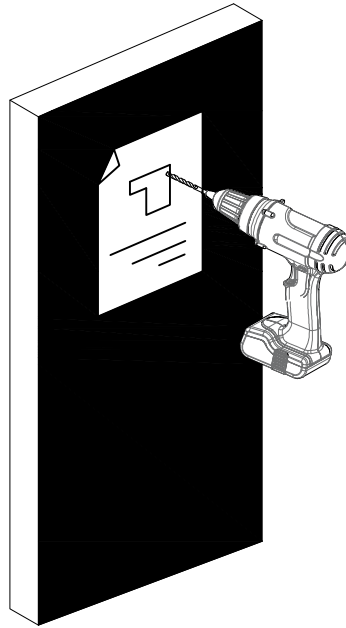
④

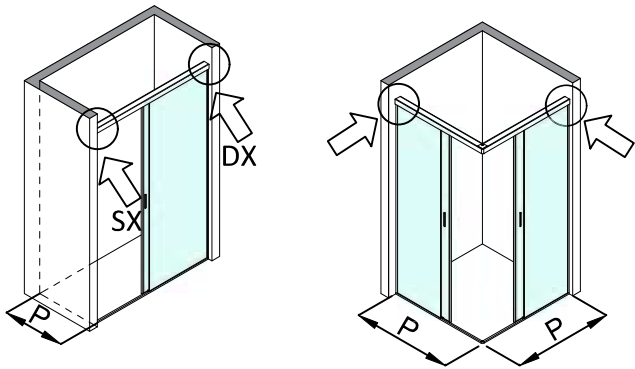




(mm)





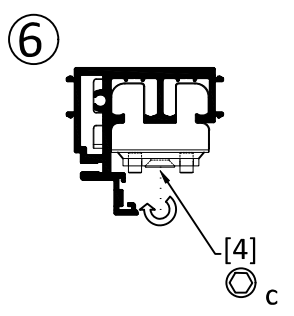
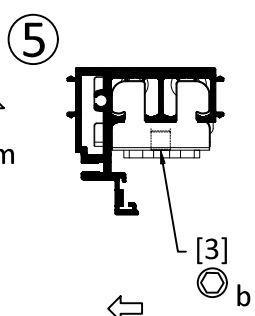
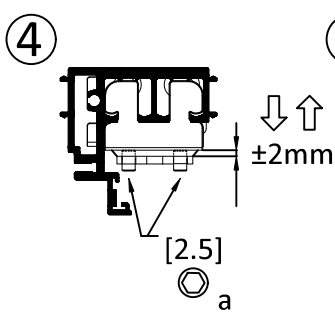
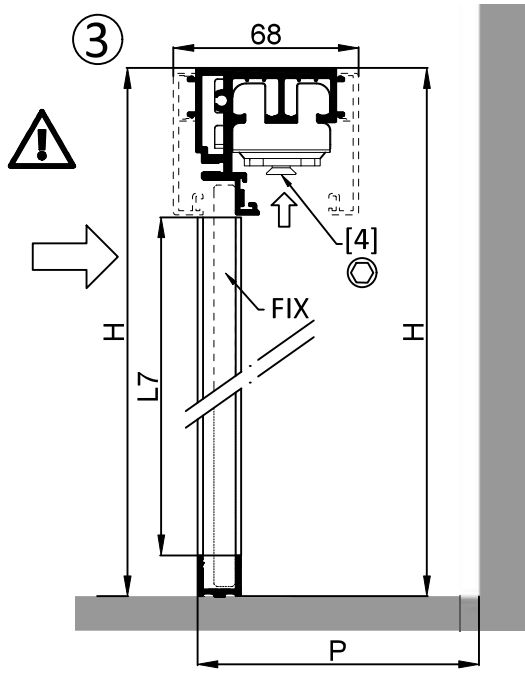
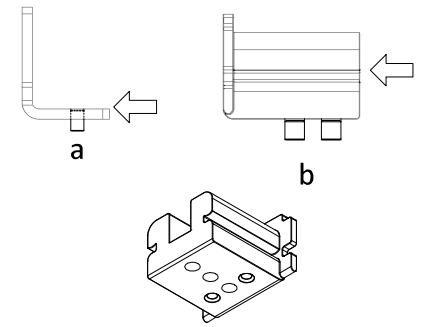
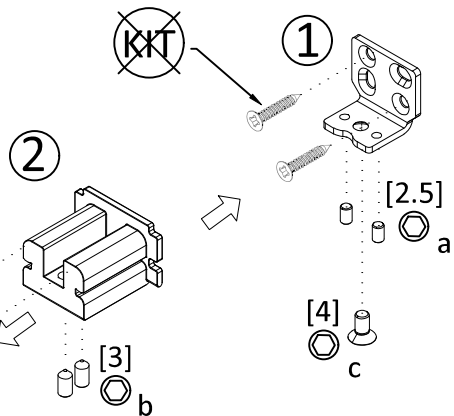
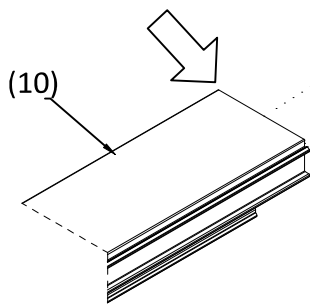
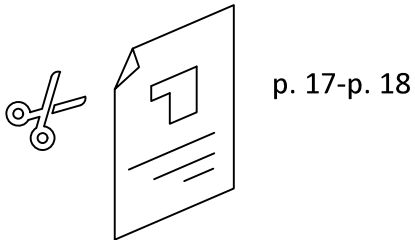
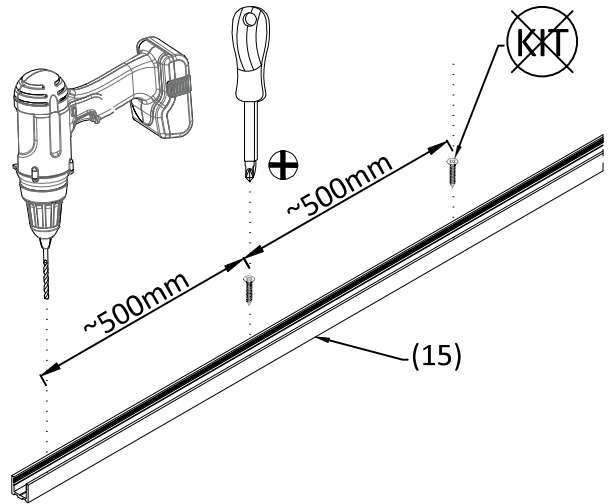
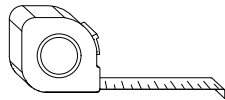


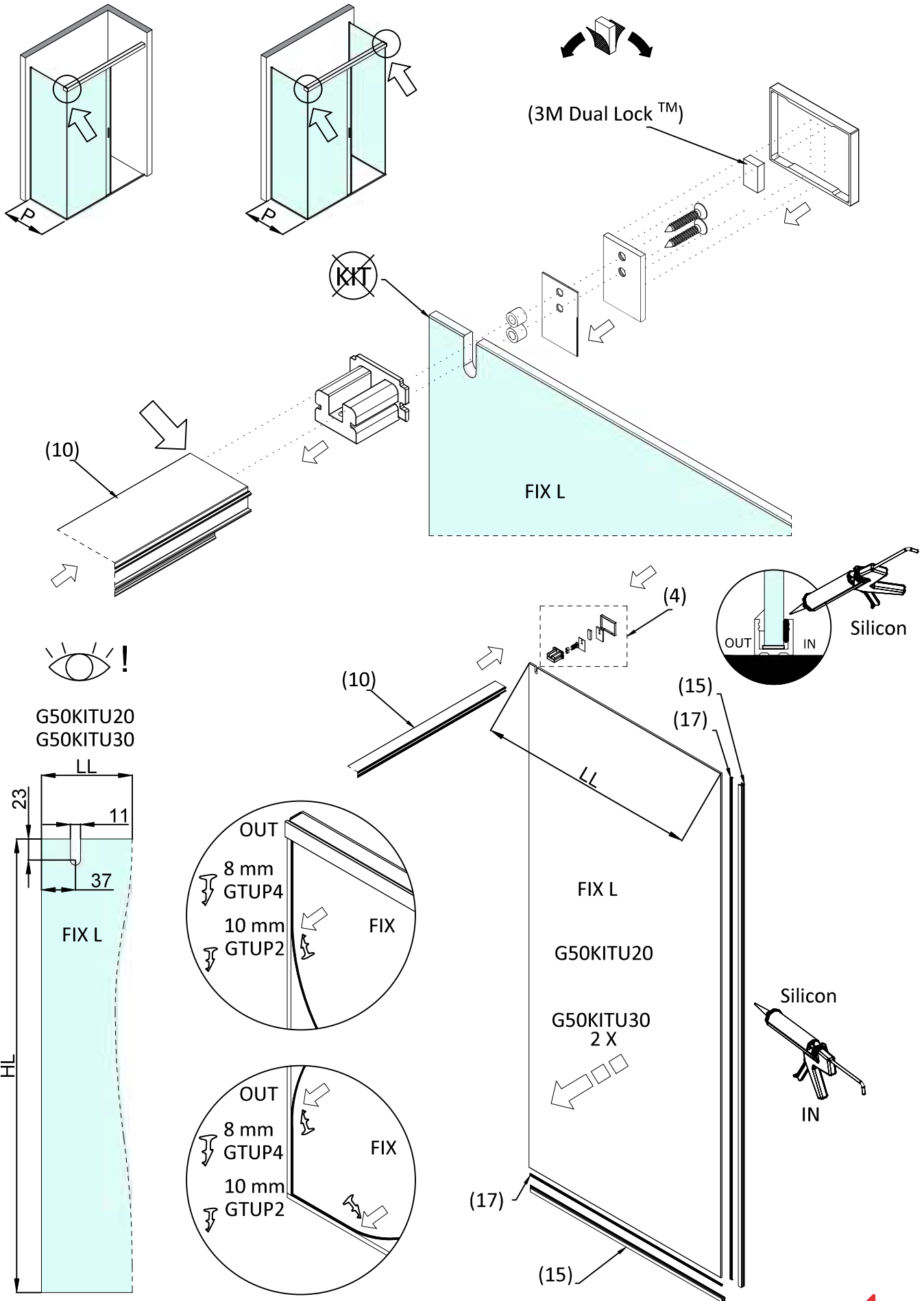
L7 = H - 74

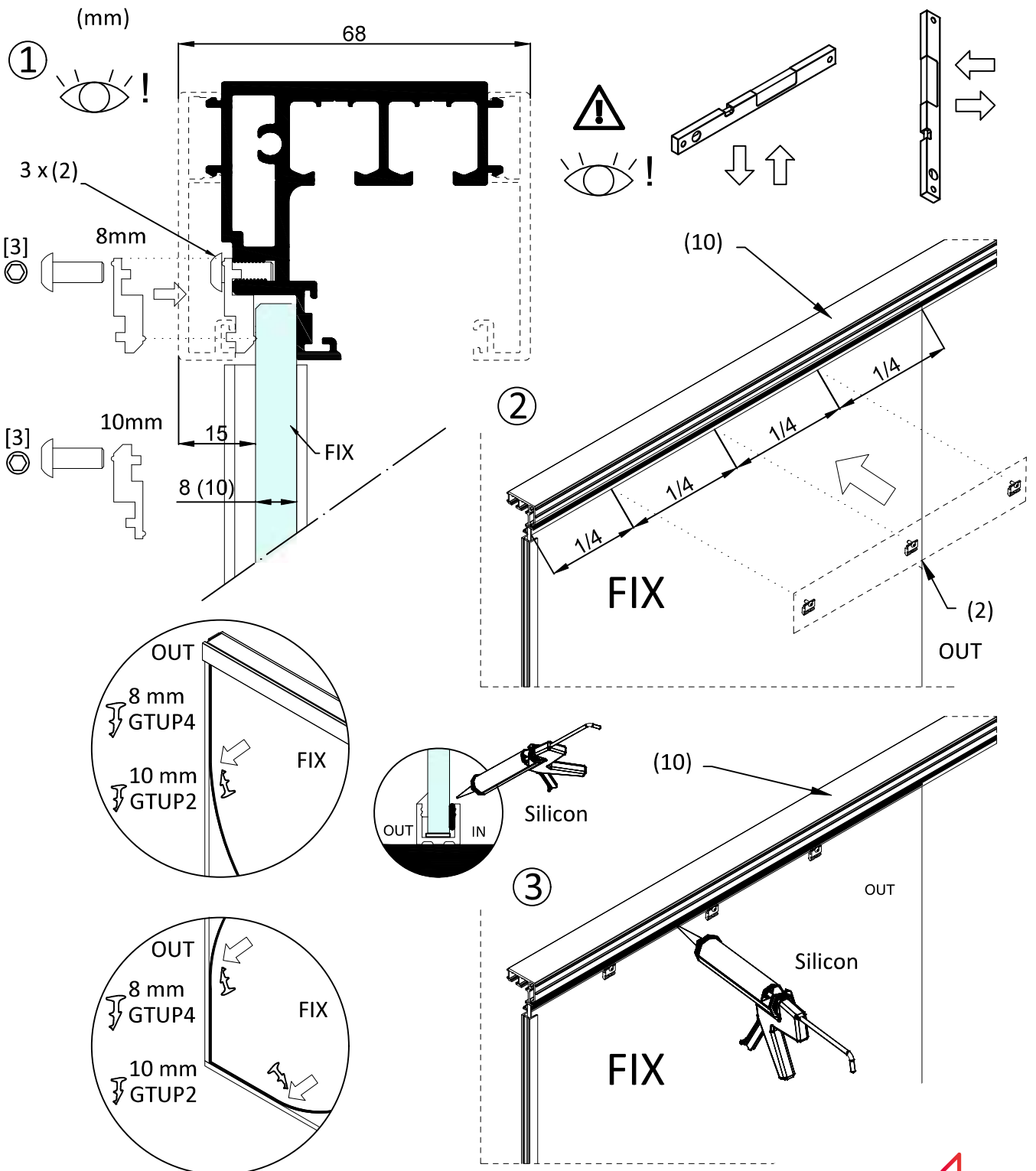
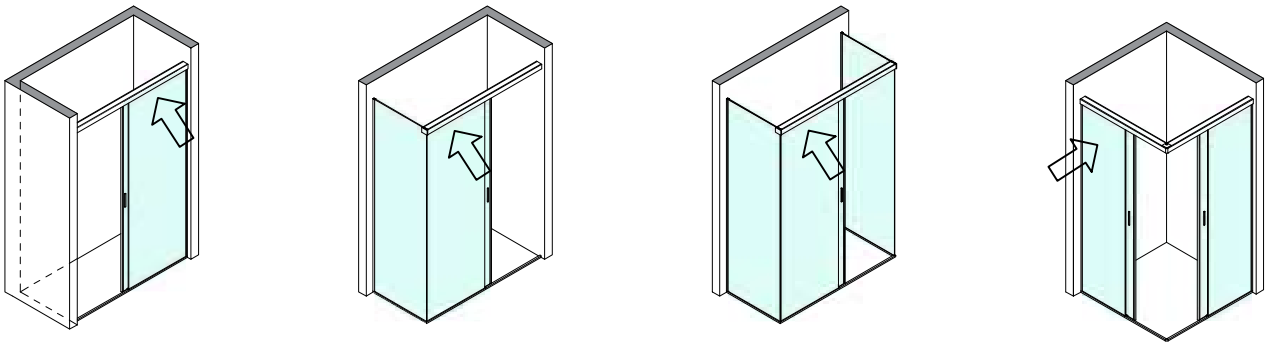
HS = H - 7

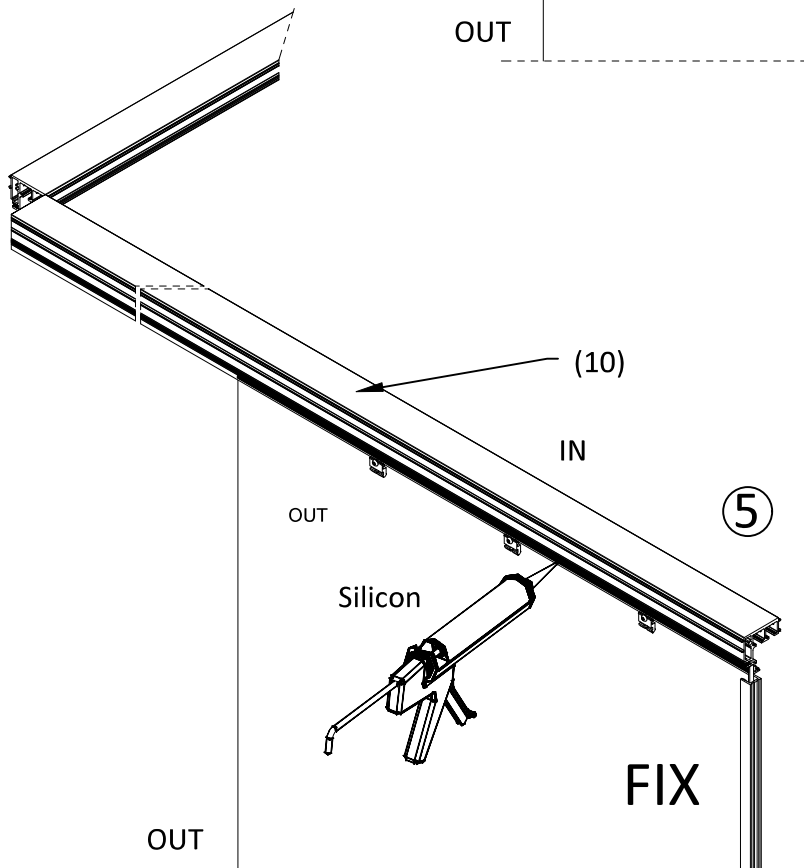
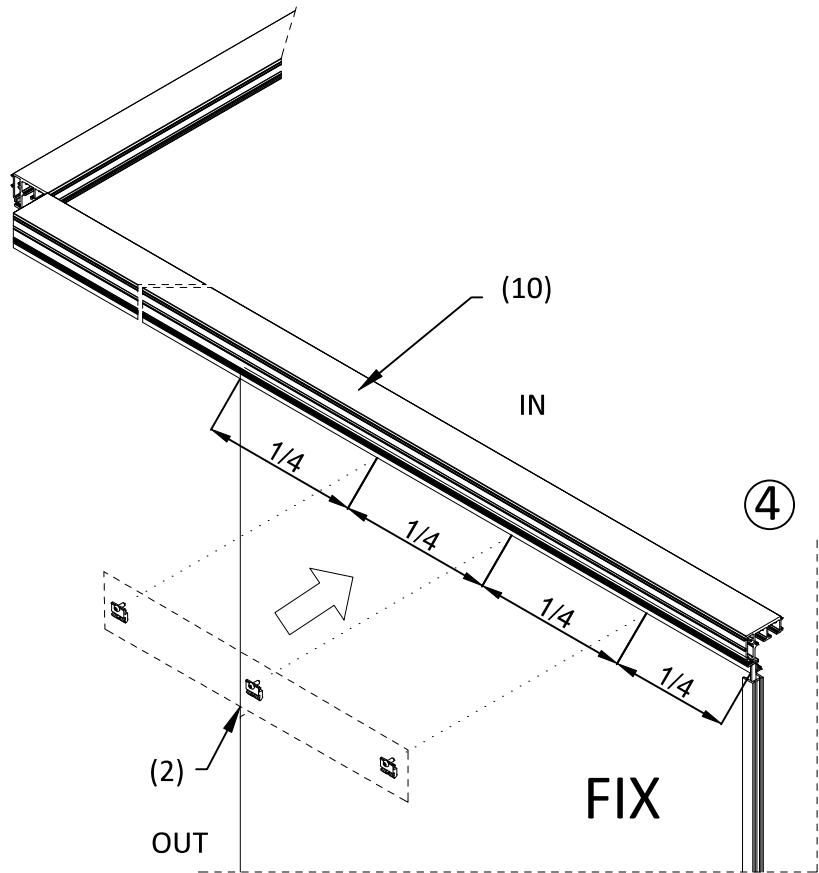
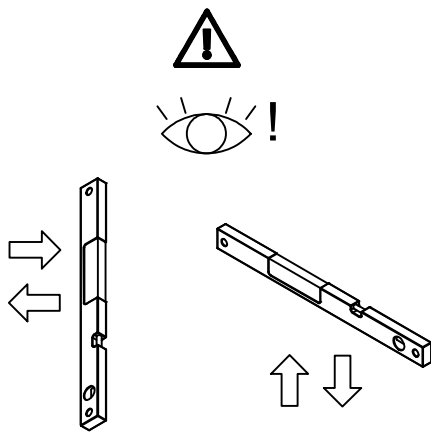
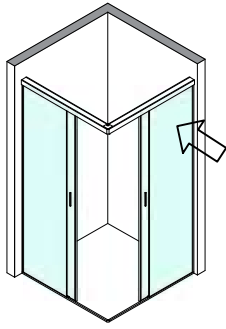
DS = ~7

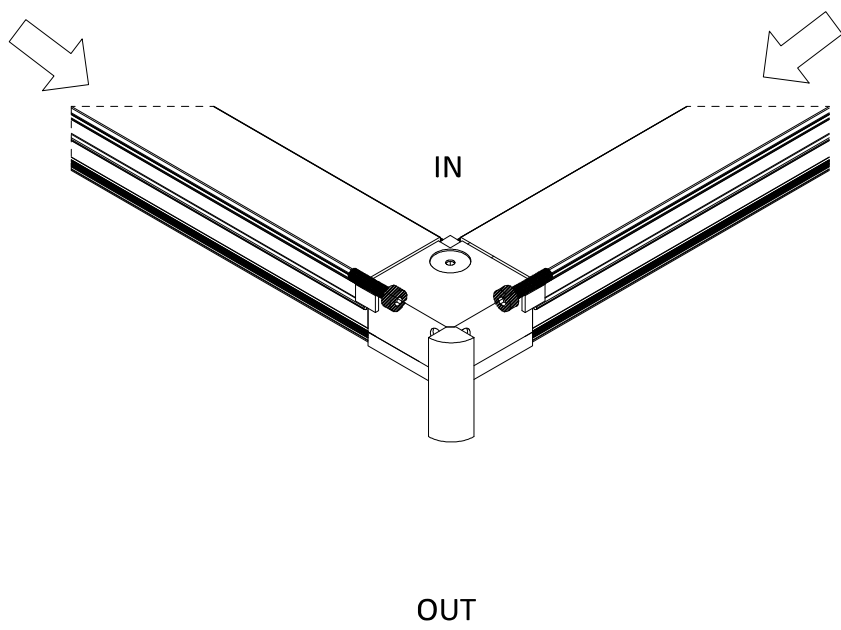
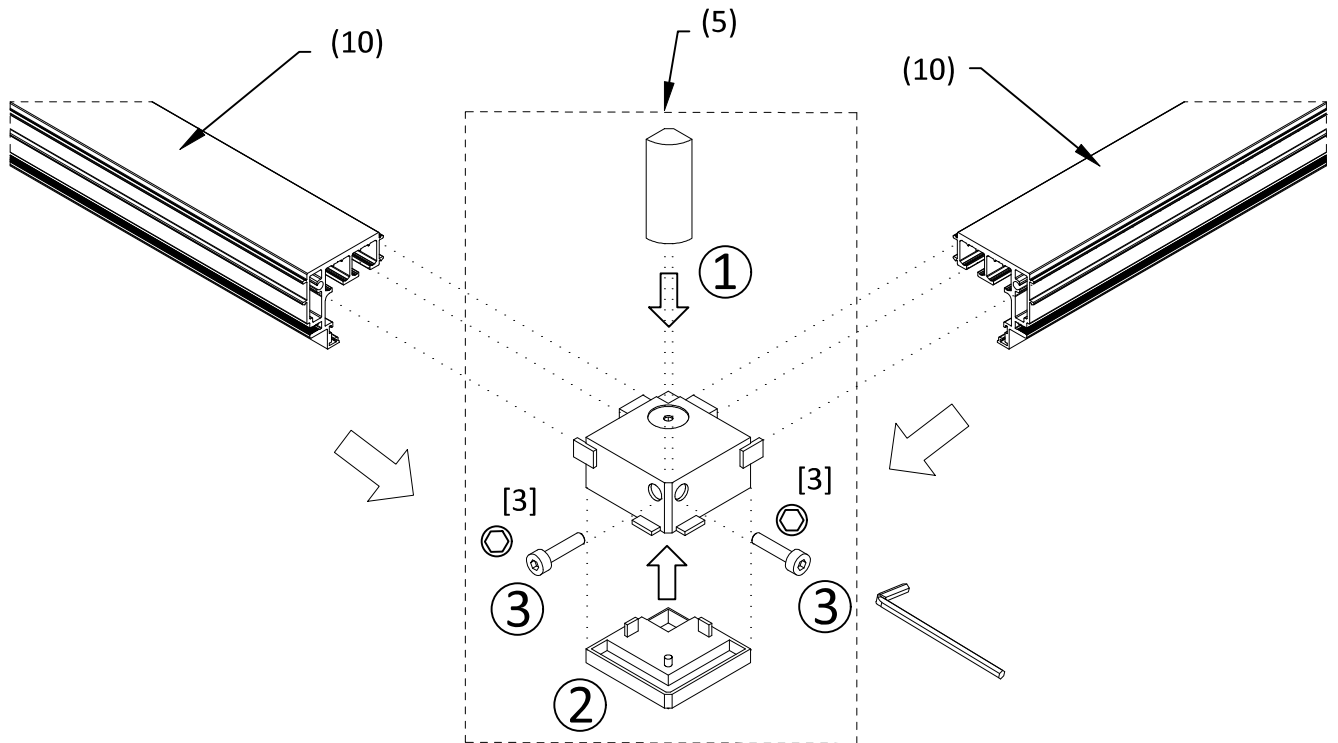
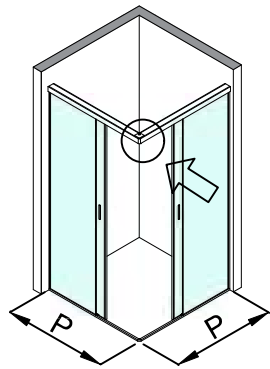
(mm)

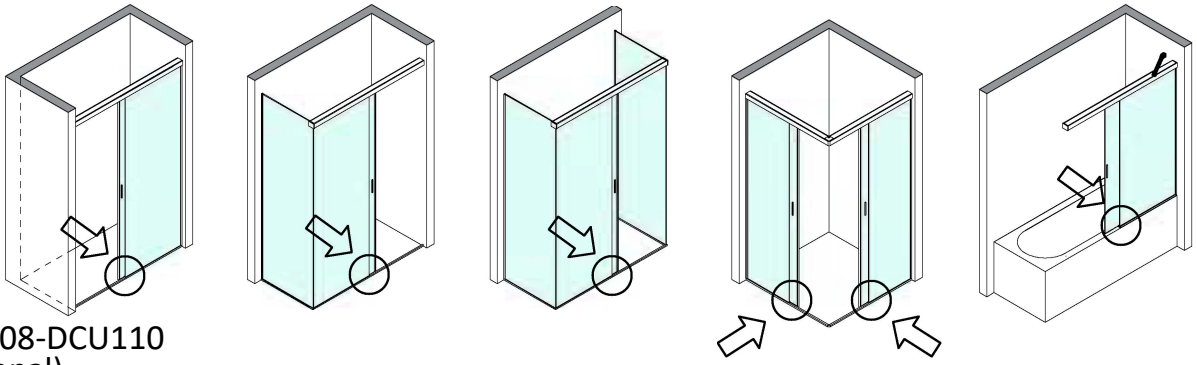




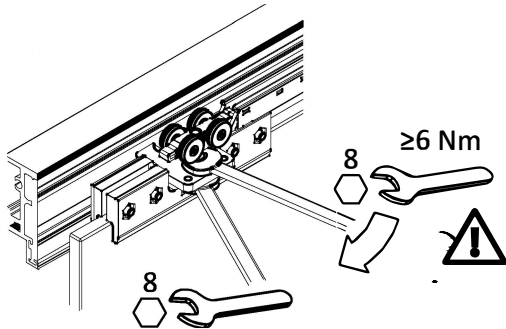
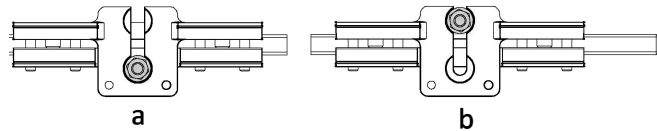
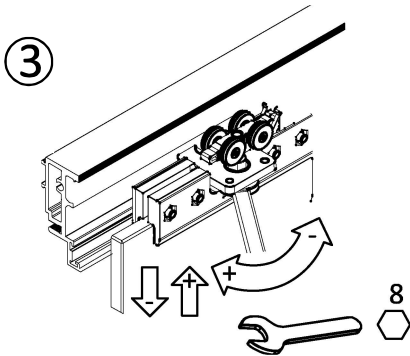
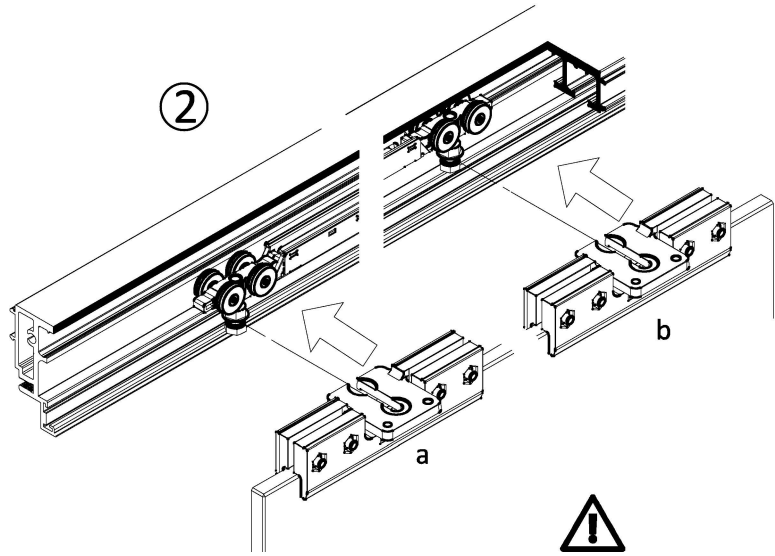
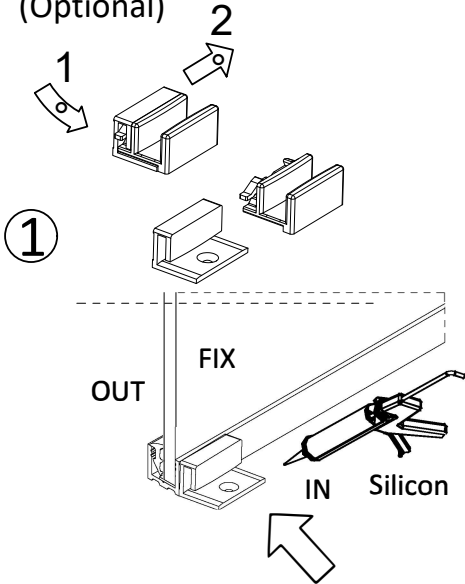




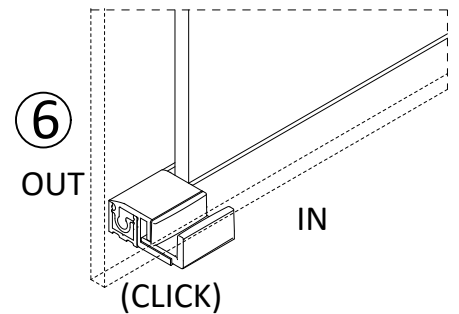
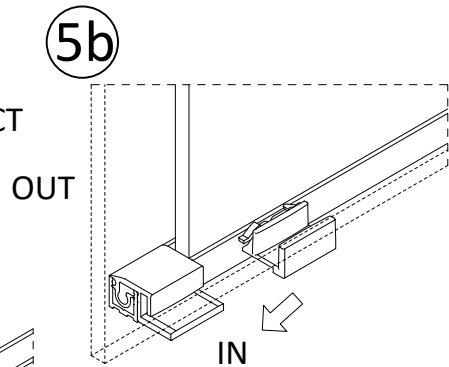
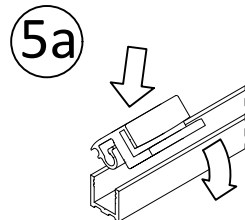


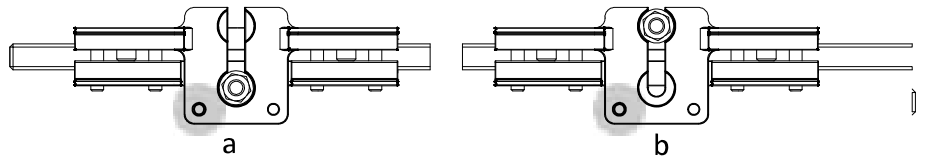
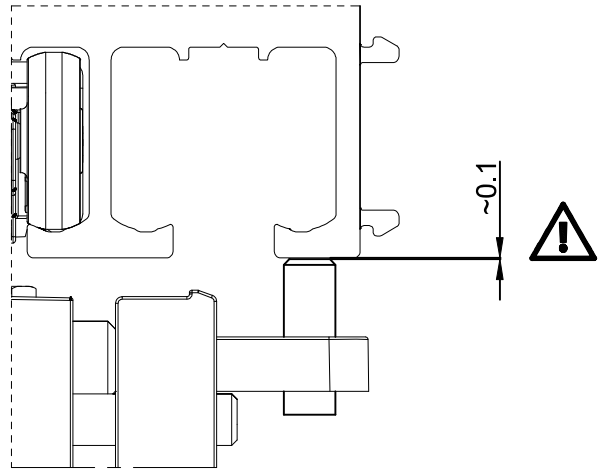
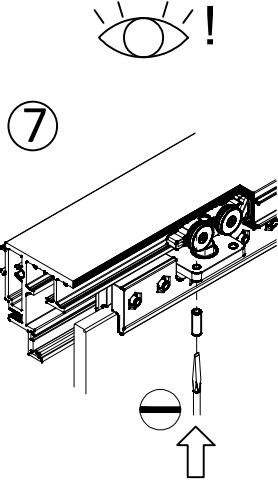


DCU108-DCU110
(Optional)



DCU108CT-DCU110CT



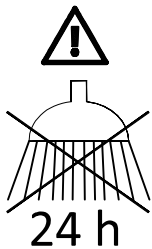
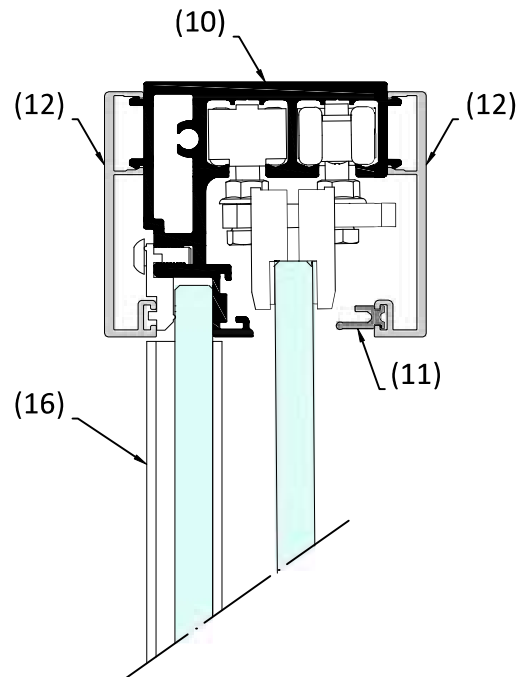
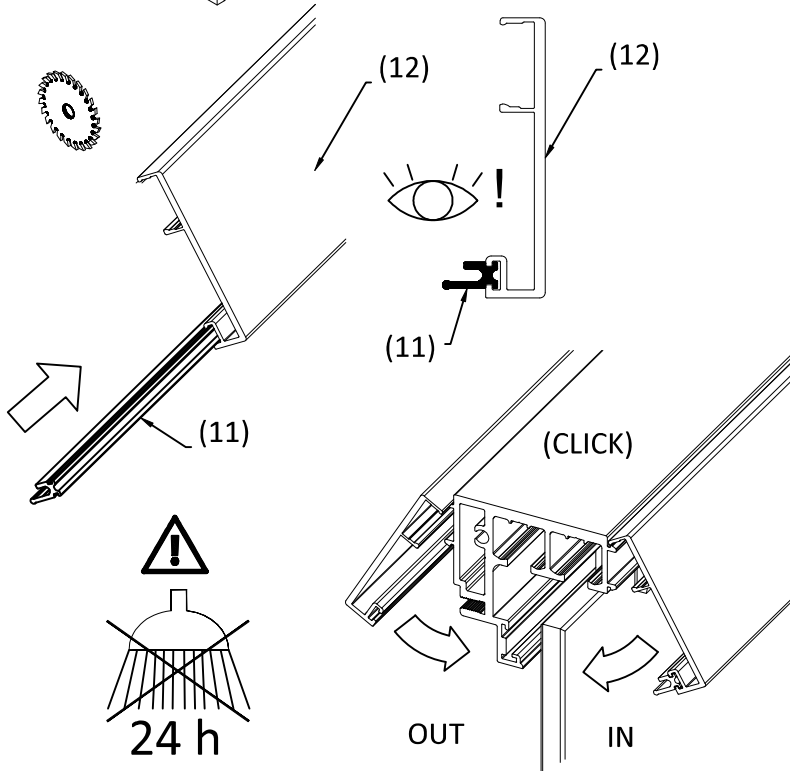
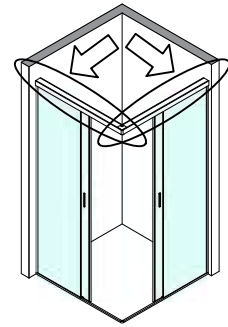
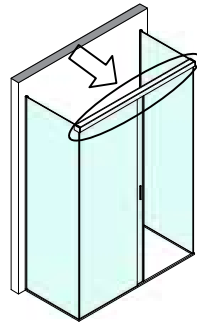
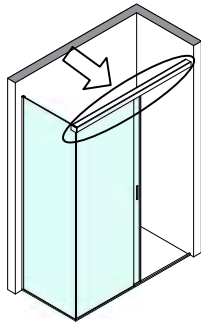
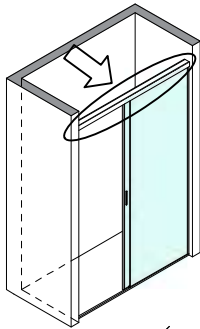


G50U10

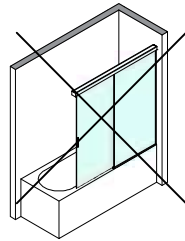
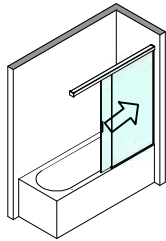
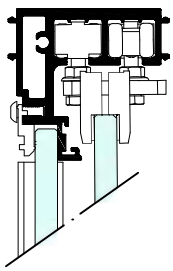
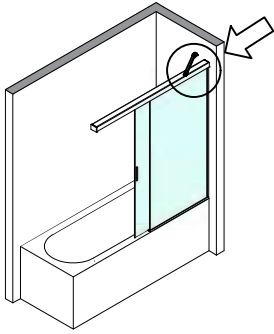
G50U20

G50U30

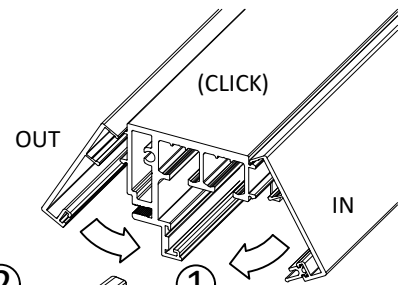
G50U40



G50U50



NO



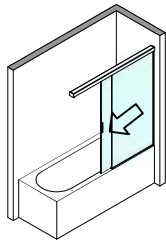
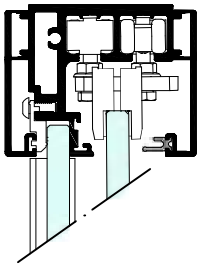
2

(CLICK)

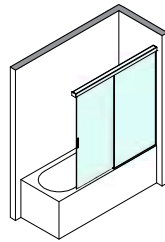
OUT

IN

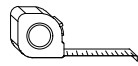
(3M Dual Lock™)



OK



OK



(22)

A  !

OUT

A

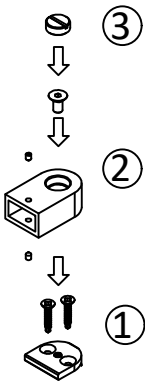
B

C

IN

[1.5]

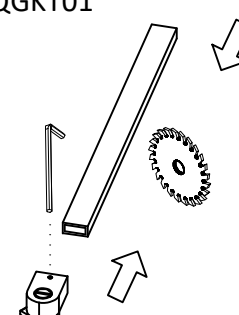
DQGKT01



3

2

1





LOGLI MASSIMO SpA

Via Chemnitz, 49/51 59100

Prato - Italia

Tel. +39.0574.848111

Fax +39.0574.527574

www.loglimassimo.it

info.lm@saint-gobain.com