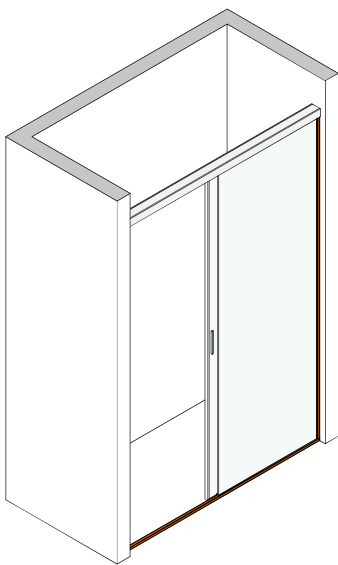
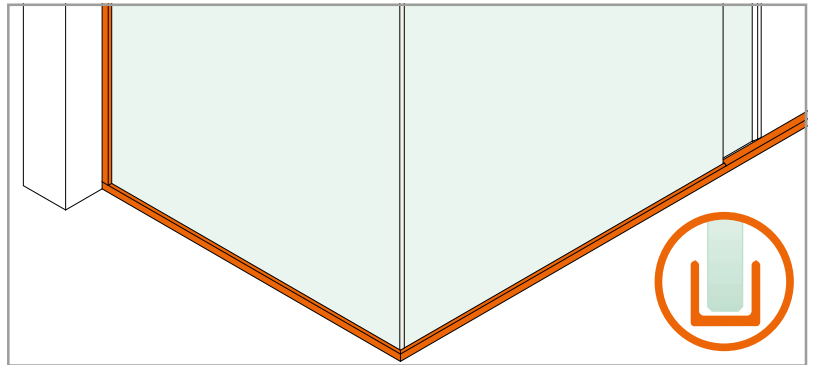


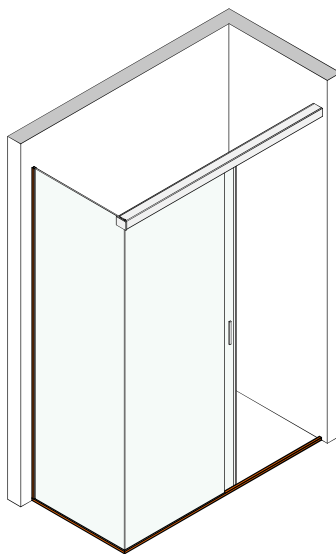
GOC CIA 50 U

ISTRUZIONI DI MONTAGGIO
ASSEMBLY INSTRUCTIONS
INSTRUCTIONS DE MONTAGE

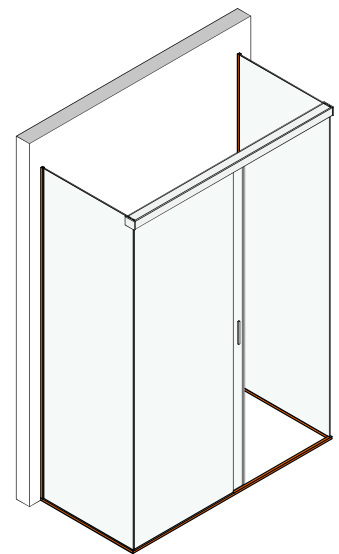
rev. 4.2



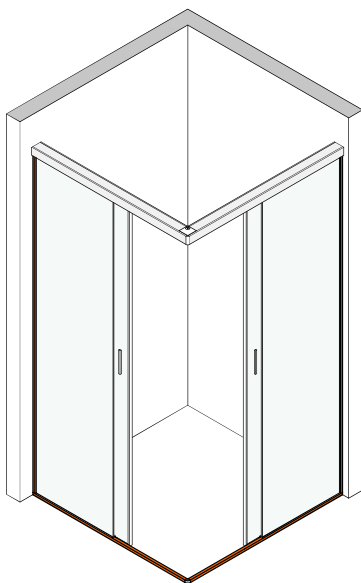
G50U10



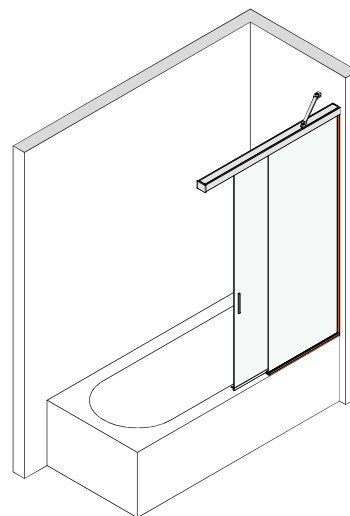
G50U20



G50U30



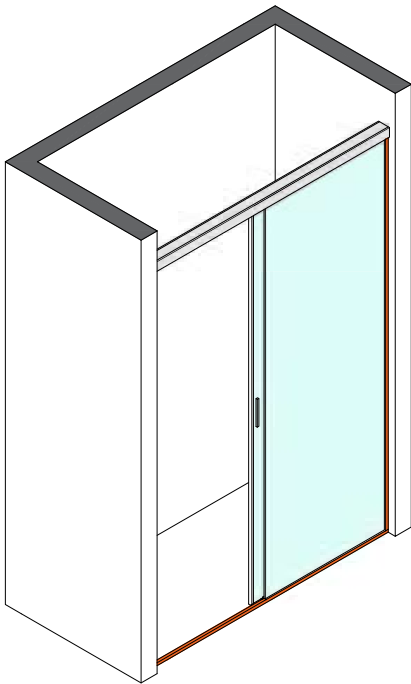
G50S40



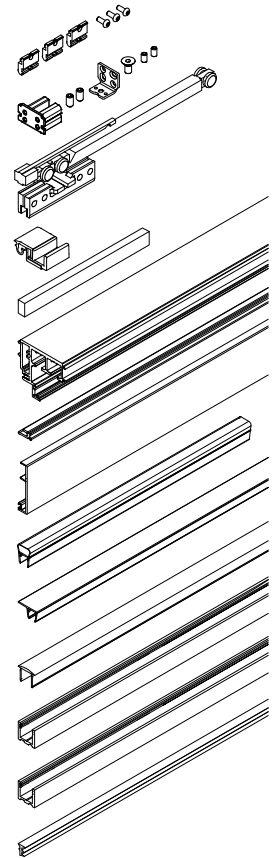
G50U50



G50U10



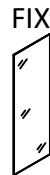
(2)	G50KIT02	1 Kit
(3)	G50KIT03	2 Kit
(1)	G50KIT01	2 Kit
(7)	DCU108CT	1 Pz
(9)	MAN500V150	2 Pz
(10)	LM5859	1 Pz
(11)	057.3078.002	3 m
(12)	LM0859	2 Pz
(13)	GM06	1 Pz
(14)	GM1410	1 Pz
(15)	PBD3184	1 Pz
(16)	PBD3183	1 Pz
(17)	PBD3183	1 Pz
(18)	GTUP	5 m



L (max 1500 mm)
H (max 2247 mm)



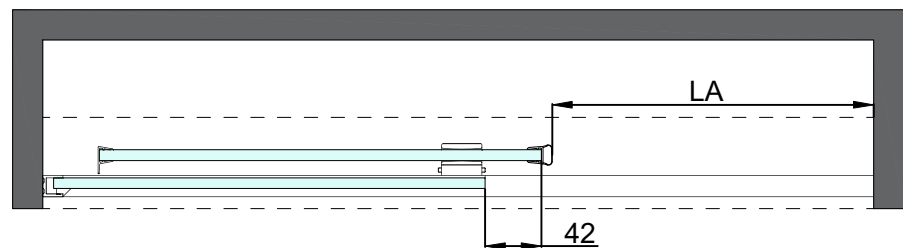
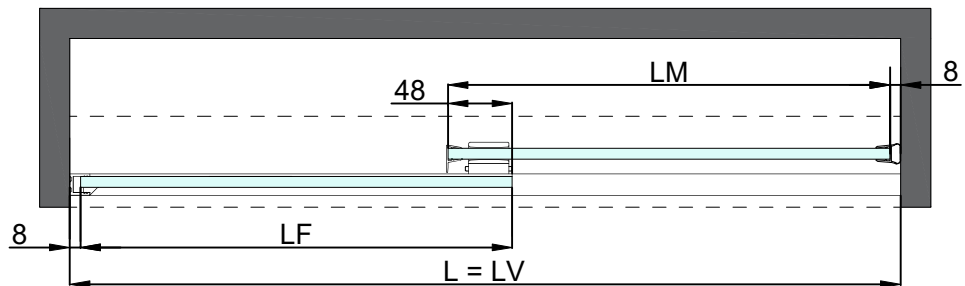
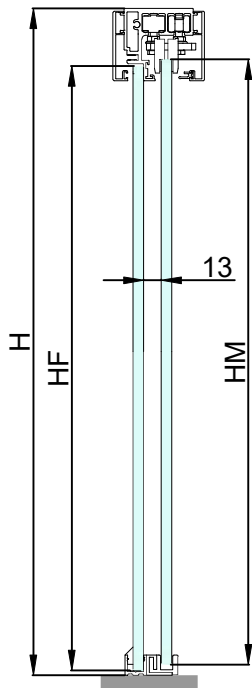
$LM = (L + 32) / 2$
 $HM = H - 49$



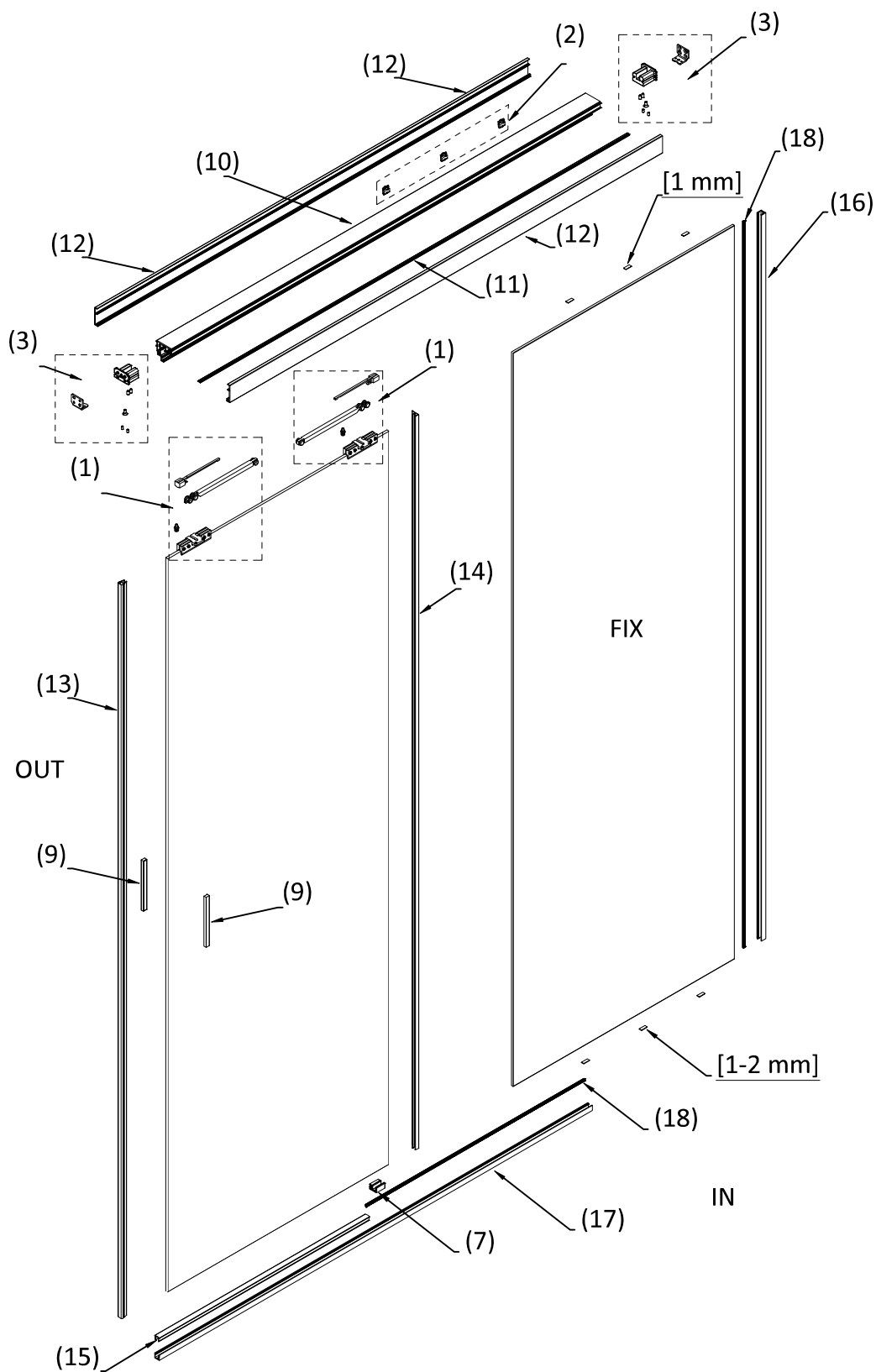
FIX
 $LF = LM$
 $HF = HM$



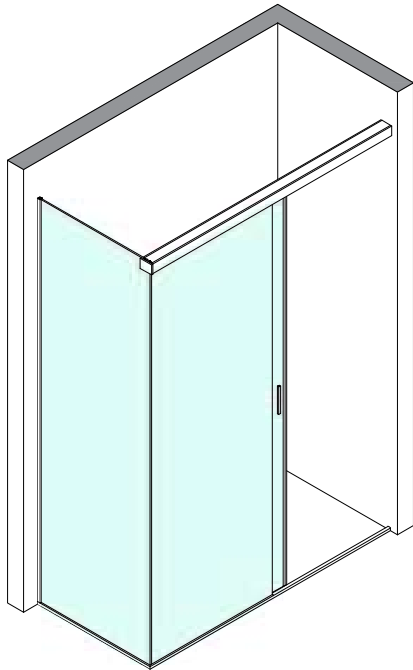
$LA = (L - 148) / 2$
 $LV = L$



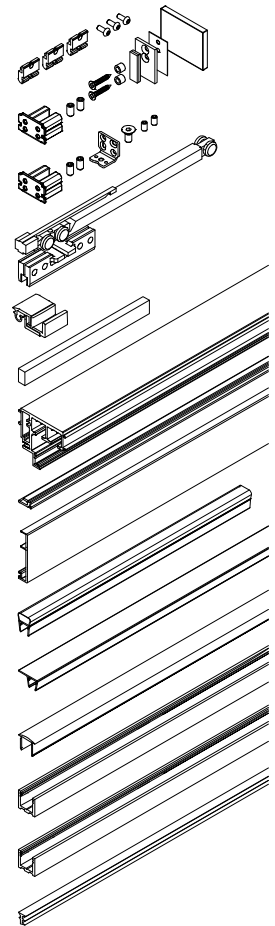
(mm)



G50U20



(2)	G50KIT02	1 Kit
(4)	G50KIT04	1 Kit
(3)	G50KIT03	1 Kit
(1)	G50KIT01	2 Kit
(7)	DCU108CT	1 Pz
(9)	MAN500V150	2 Pz
(10)	LM5859	1 Pz
(11)	057.3078.002	3 m
(12)	LM0859	2 Pz
(13)	GM06	1 Pz
(14)	GM1410	1 Pz
(15)	PBD3184	1 Pz
(16)	PBD3183	1 Pz
(17)	PBD3183	1 Pz
(18)	GTUP	6 m

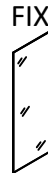


L (max 1498 mm)
H (max 2215 mm)
P (max 1498 mm)



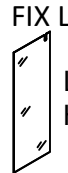
$$LM = (L + 24) / 2$$

$$HM = H - 49$$



$$LF = LM$$

$$HF = HM$$



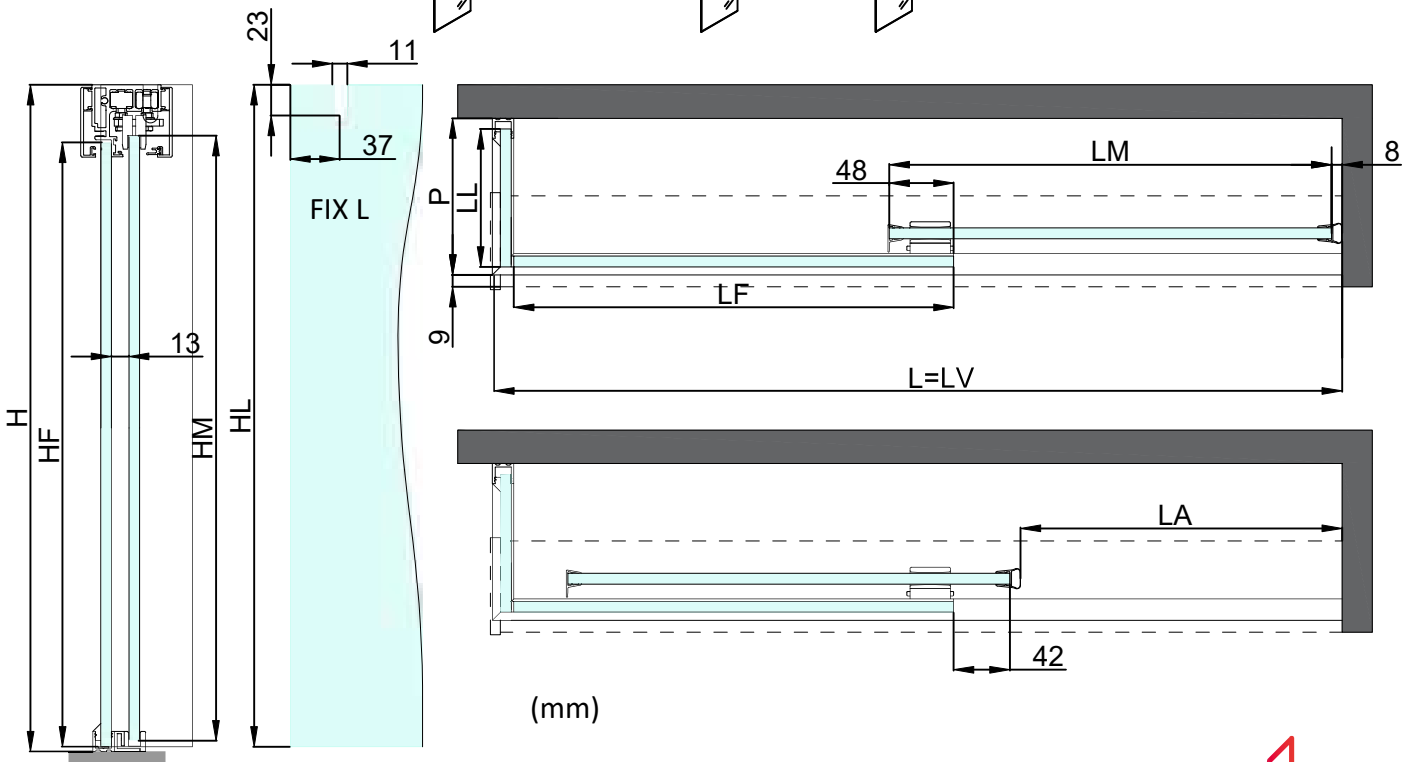
$$LL = P - 14$$

$$HL = H - 5$$

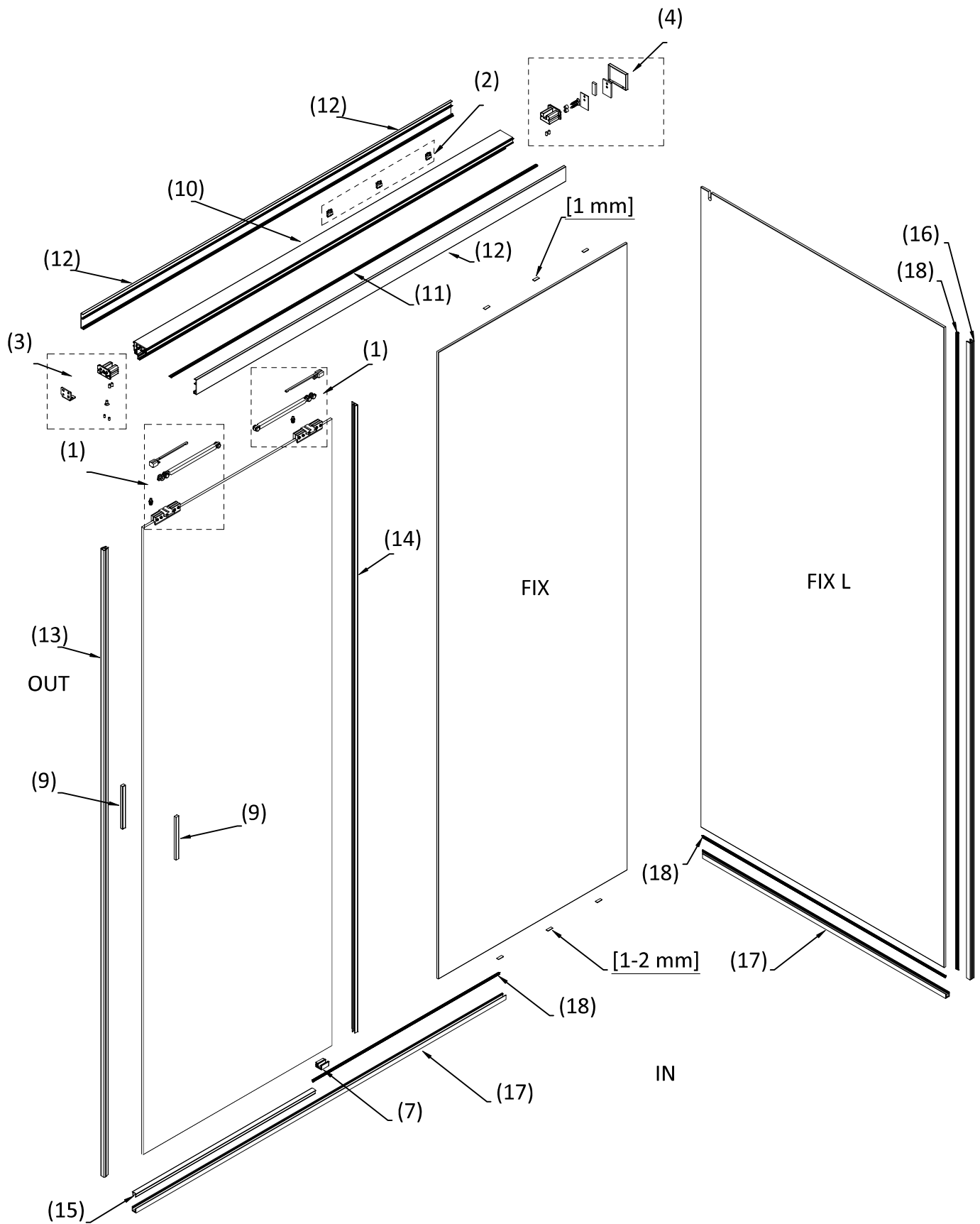


$$LA = (L - 156) / 2$$

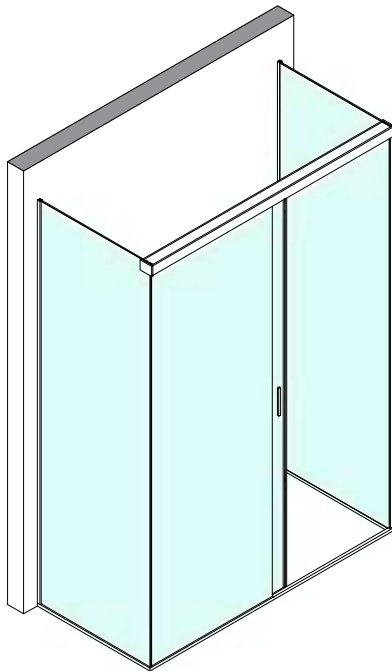
$$LV = L - 14$$



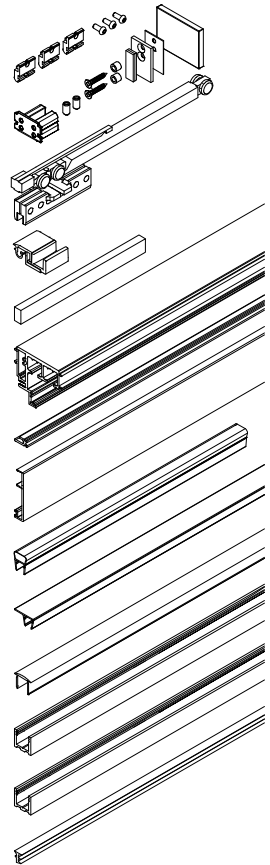
(mm)



G50U30



(2)	G50KIT02	1 Kit
(4)	G50KIT04	2 Kit
(1)	G50KIT01	2 Kit
(7)	DCU108CT	1 Pz
(9)	MAN500V150	2 Pz
(10)	LM5859	1 Pz
(11)	057.3078.002	3 m
(12)	LM0859	2 Pz
(13)	GM06	1 Pz
(14)	GM1410	1 Pz
(15)	PBD3184	1 Pz
(16)	PBD3183	1 Pz
(17)	PBD3183	1 Pz
(18)	GTUP	4 m

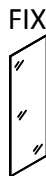


L (max 1498 mm)
H (max 2215 mm)
P (max 1098 mm)



$$LM = (L + 10) / 2$$

$$HM = H - 49$$



$$LF = LM$$

$$HF = HM$$



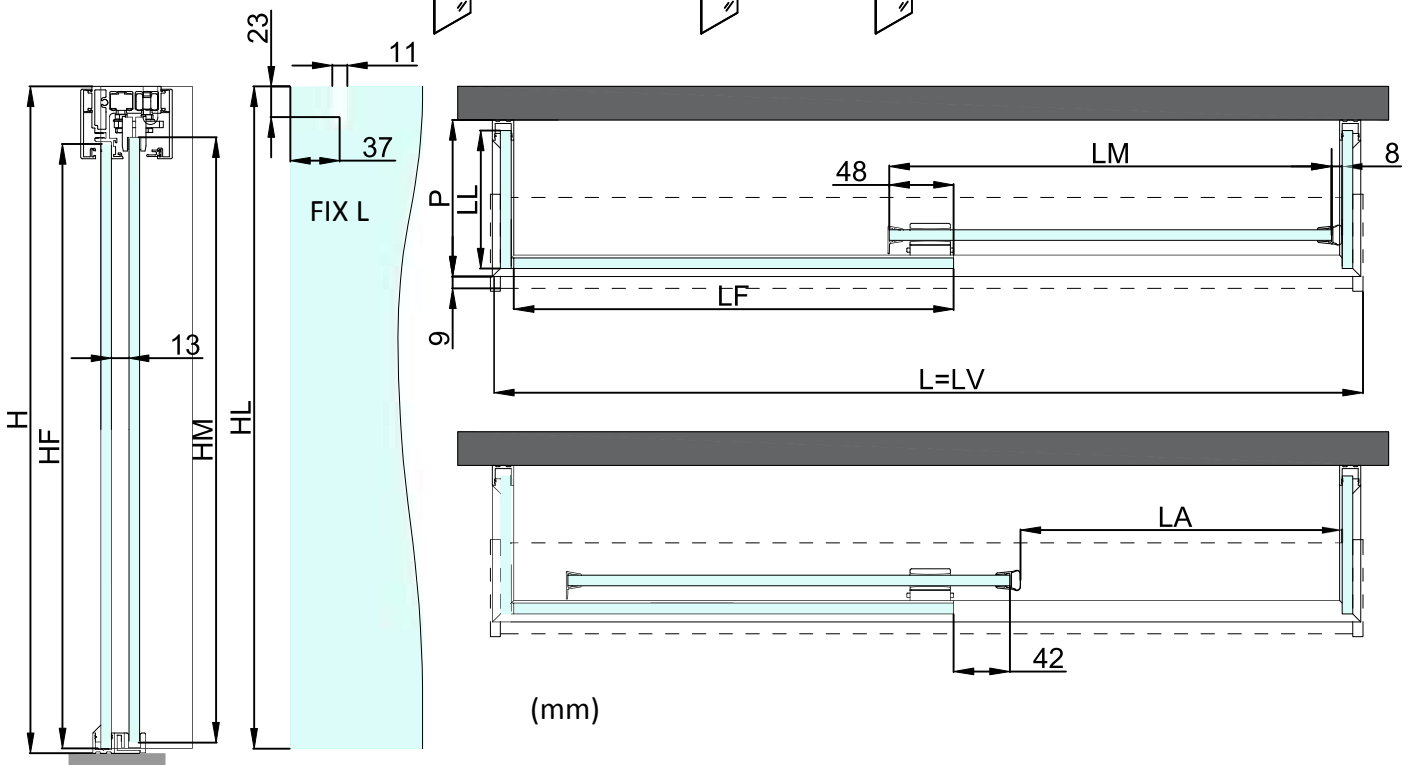
$$LL = P - 14$$

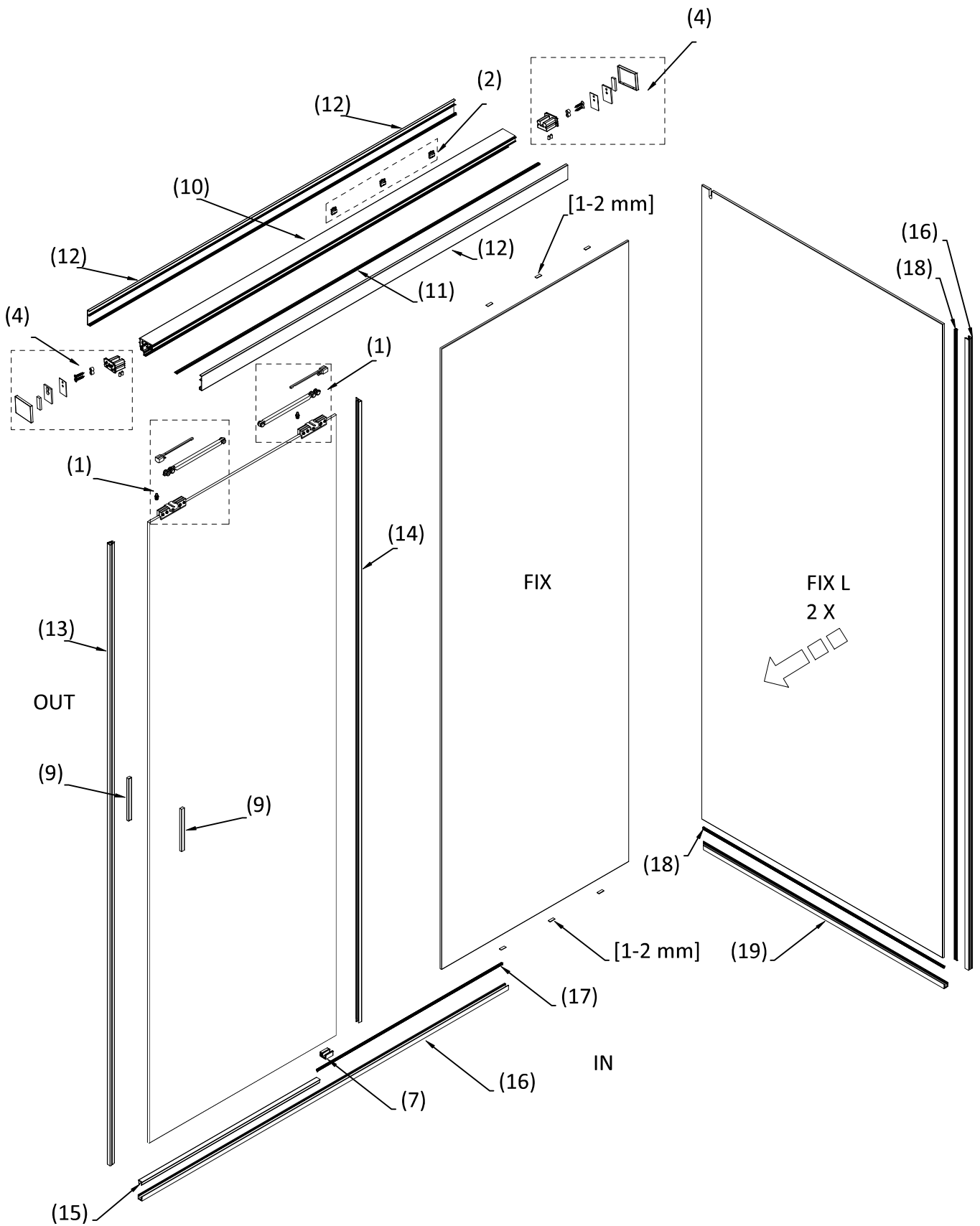
$$HL = H - 5$$



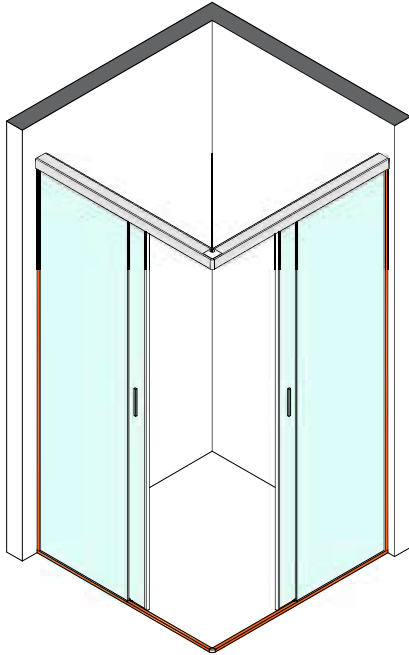
$$LA = (L - 170) / 2$$

$$LV = L - 28$$

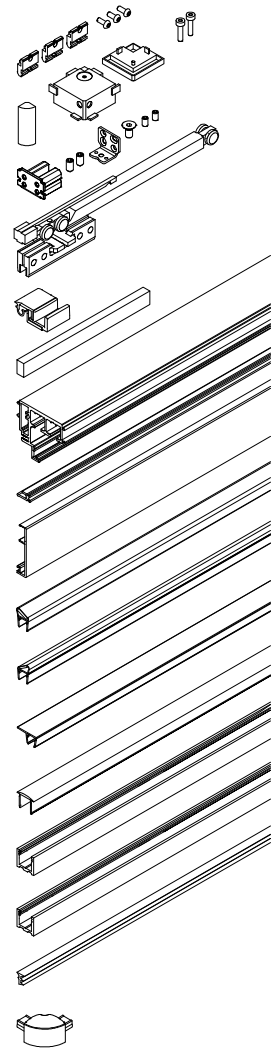




G50U40



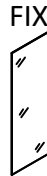
(2)	G50KIT02	2 Kit
(5)	G50KIT05	1 Kit
(3)	G50KIT03	2 Kit
(3)	G50KIT01	4 Kit
(7)	DCU108CT	2 Pz
(9)	MAN500V150	4 Pz
(10)	LM5859	2 Pz
(11)	057.3078.002	6 m
(12)	LM0859	4 Pz
(23)	GM15DX	1 Pz
(23)	GM15SX	1 Pz
(14)	GM1410	2 Pz
(15)	PBD3184	2 Pz
(17)	PBD3183	2 Pz
(17)	PBD3183	2 m
(18)	GTUP	8 Pz
(24)	DCC90	1 Pz



L (max 1000 mm)
H (max 2247 mm)



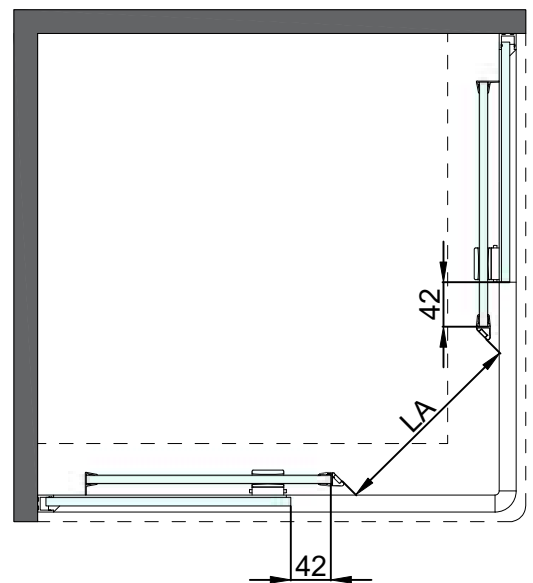
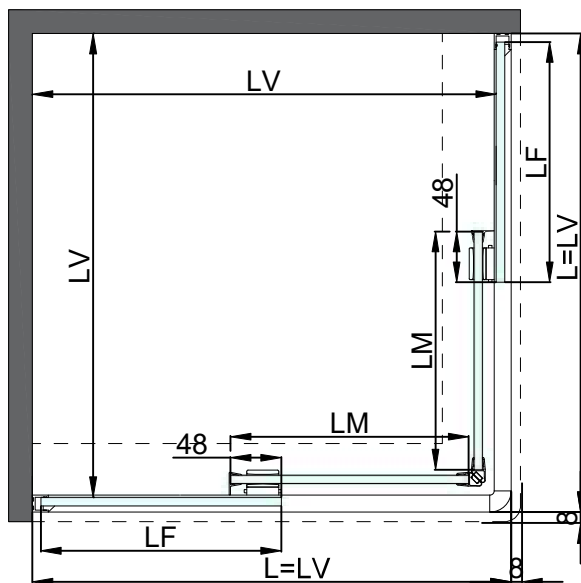
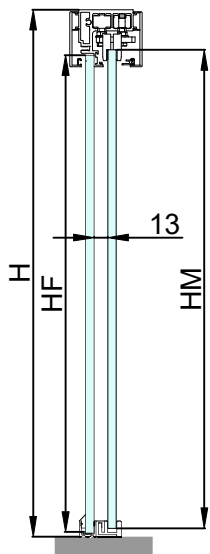
$LM = L / 2$
 $HM = H - 49$

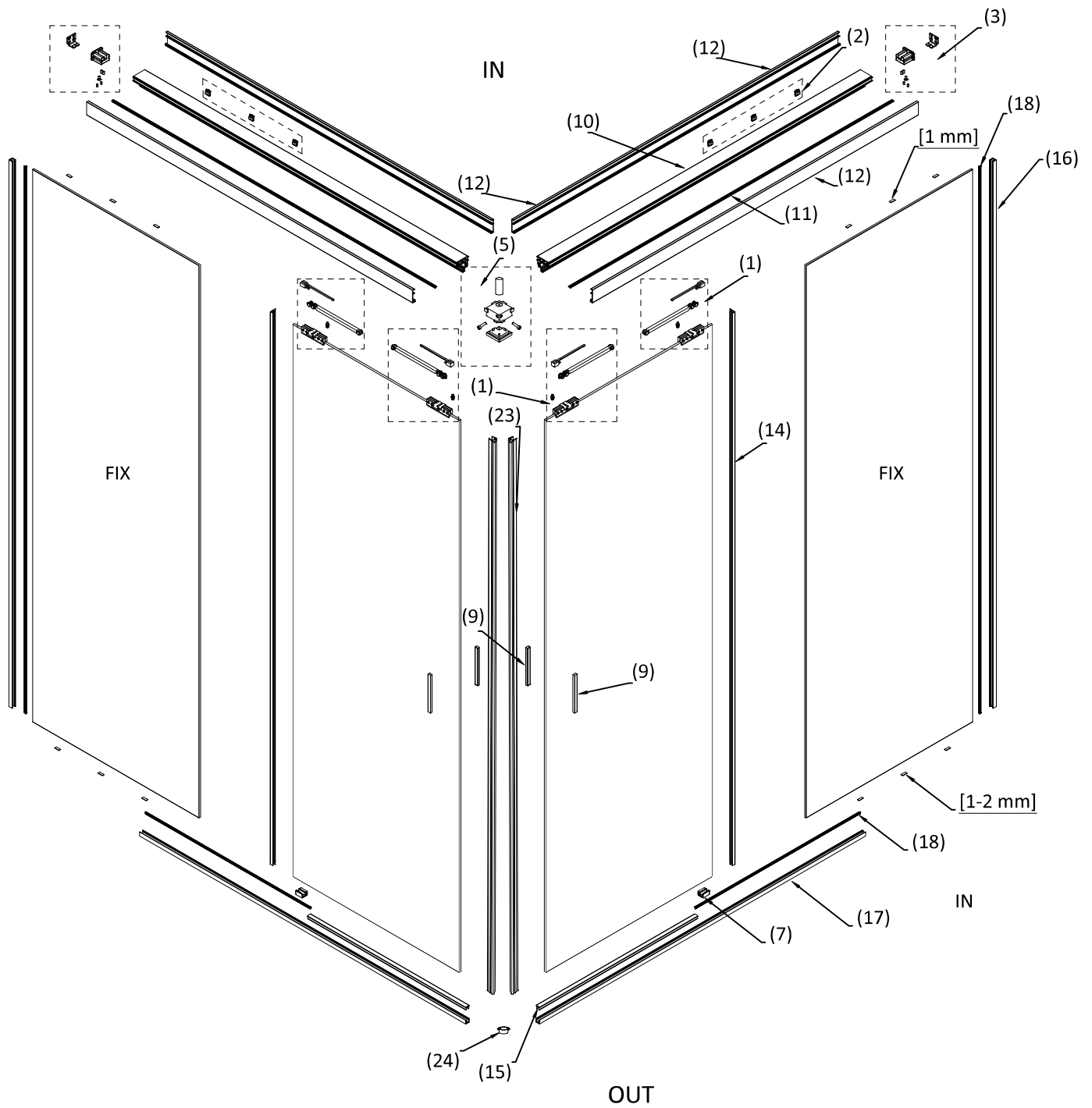


$LF = LM$
 $HF = HM$

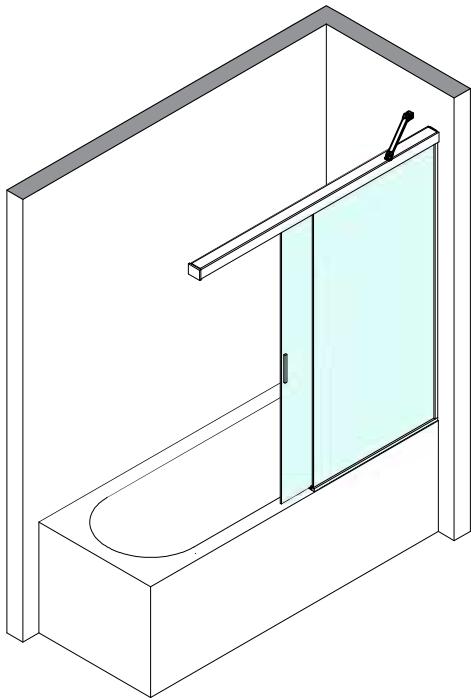


$LA = 0,7 \times (L - 168)$
 $LV = L - 14$

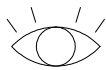
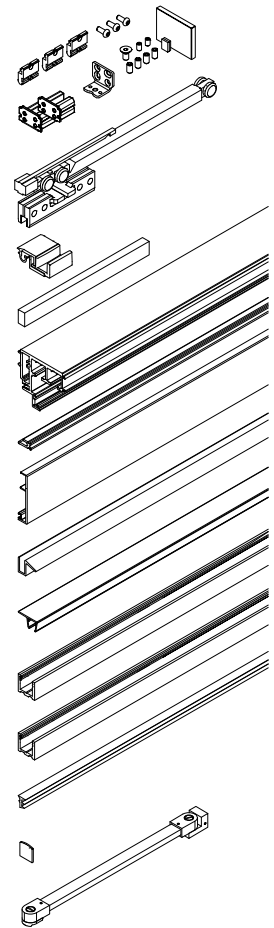




G50U50



(2)	G50KIT02	1 Kit
(6)	G50KIT06	1 Kit
(1)	G50KIT01	2 Kit
(8)	DCV108CT	1 Pz
(9)	MAN500V150	2 Pz
(10)	LM5859	1 Pz
(11)	057.3078.002	3 m
(12)	LM0859	2 Pz
(20)	GM900807	1 Pz
(14)	GM1410	1 Pz
(16)	PBD3183	1 Pz
(17)	PBD3183	1 Pz
(18)	GTUP	5 m
(19)	PBDTP	1 Pz
(22)	DQGKIT26	1 Kit



L (max 1200 mm)
H (max 1750 mm)



$$LM = (L + 28) / 2$$

$$HM = H - 49$$

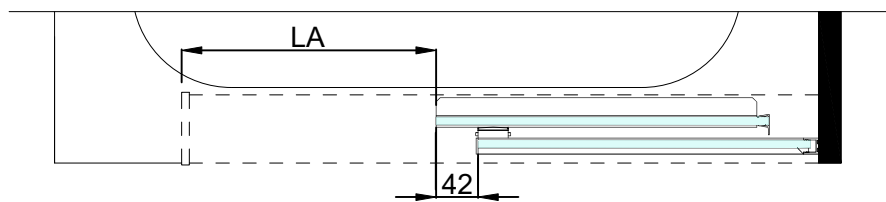
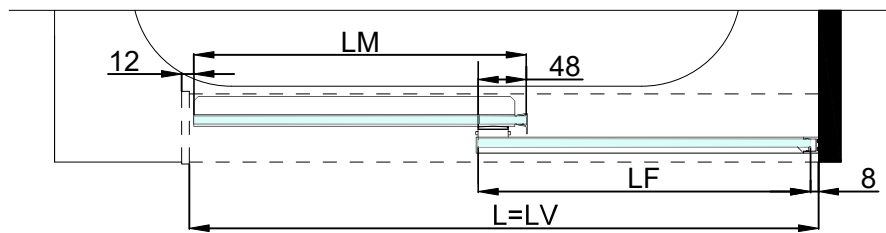
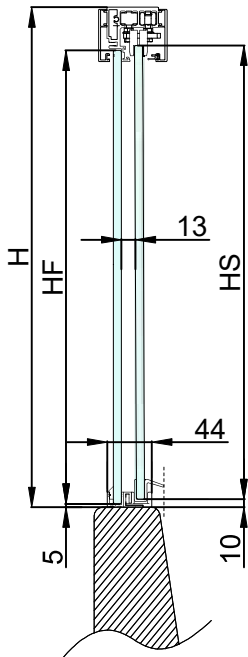


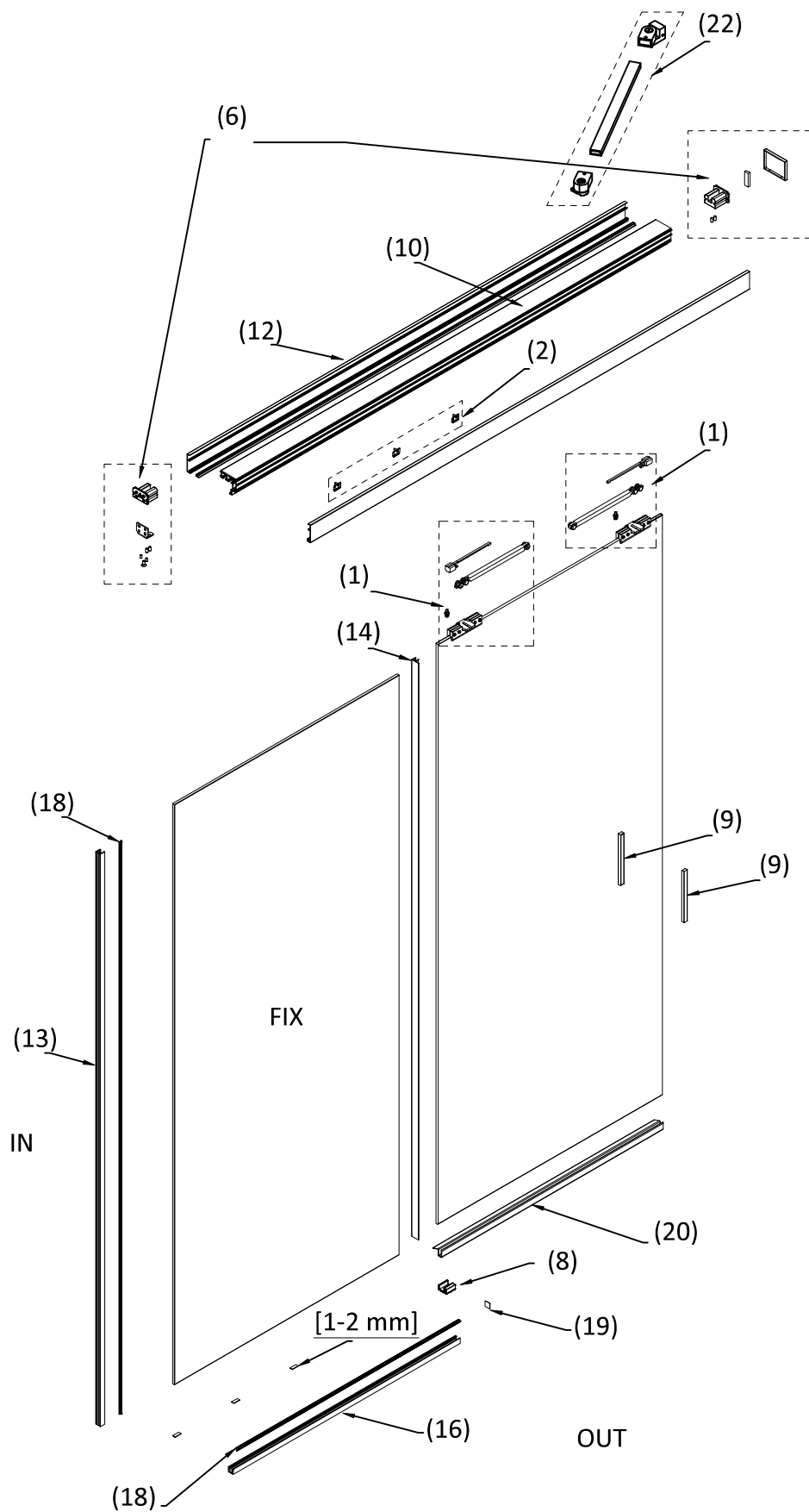
$$LF = LM$$

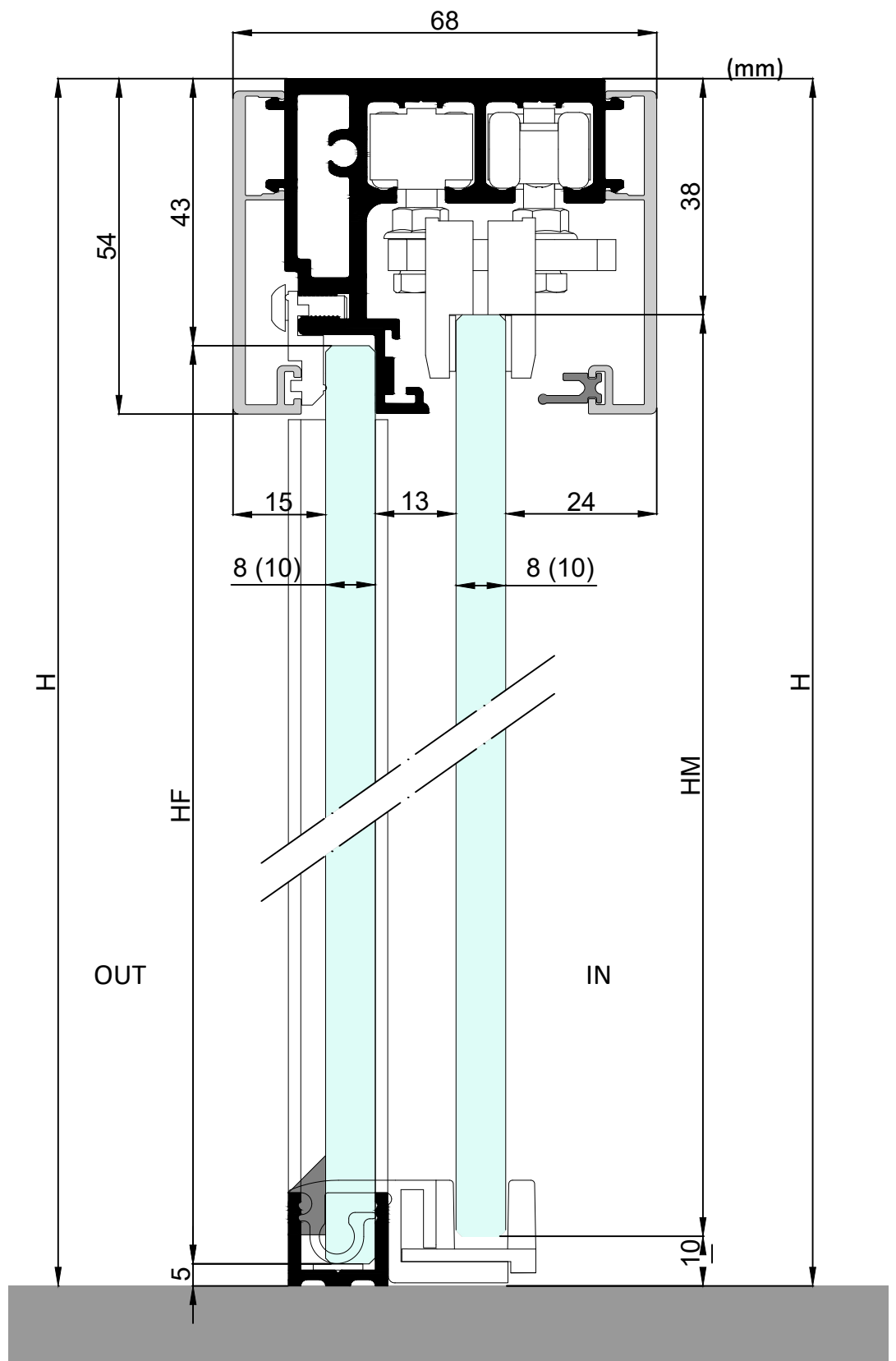
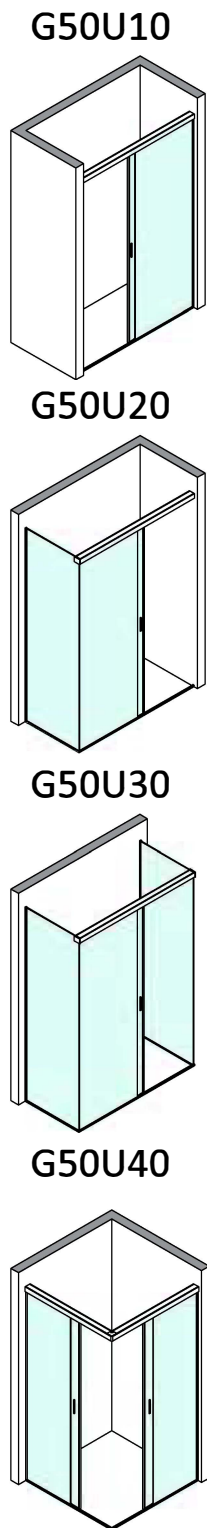
$$HF = HM$$



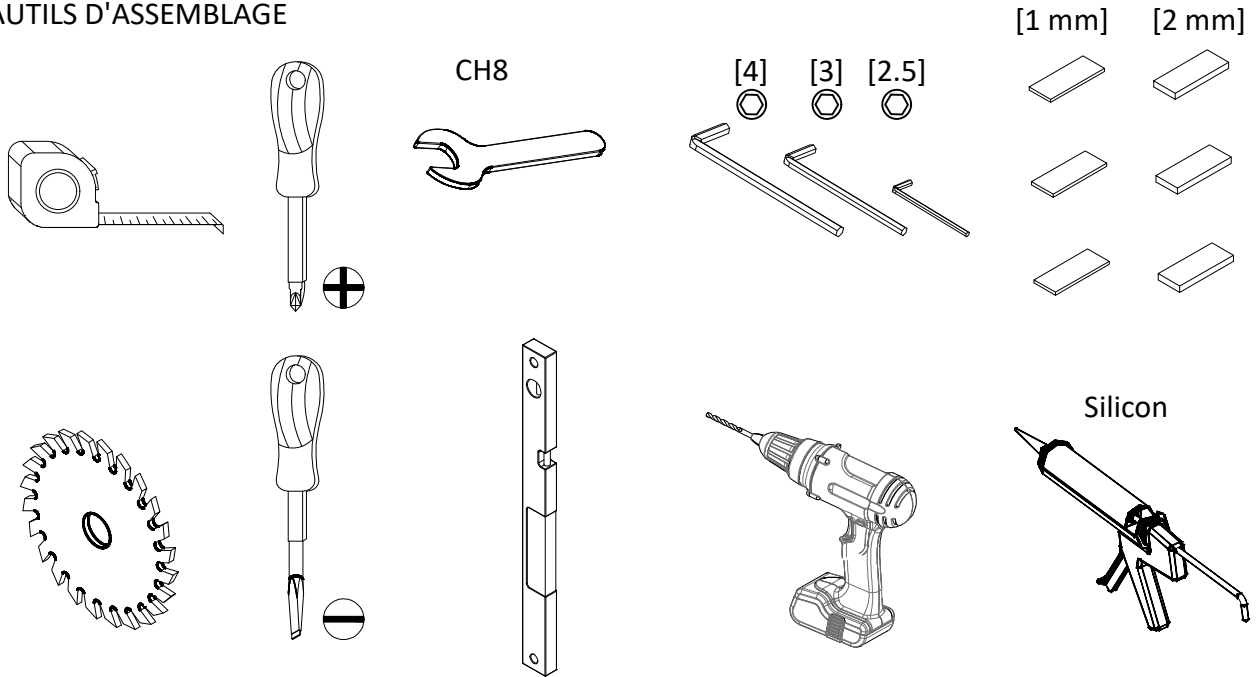
$$LA = (L - 128) / 2$$





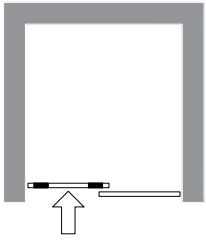


STRUMENTI PER IL MONTAGGIO
ASSEMBLY TOOLS
AUTILS D'ASSEMBLAGE

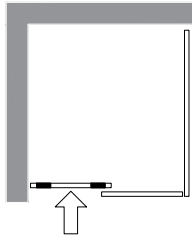


(10)	L - 16 mm	L - 26mm	L - 36mm	L - 77mm	L - 20mm
(12)	L - 2mm	L - 16mm (in) L - 5mm (out)	L - 34mm (in) L - 8mm (out)	L - 66mm (in) L - 5mm (out)	L - 5mm
(15)	$\frac{L - 48mm}{2}$	$\frac{L - 56mm}{2}$	$\frac{L - 70mm}{2}$	$\frac{L - 48mm}{2}$	
(16)	H - 74mm	H - 15mm	H - 15mm	H - 74mm	h - 74mm
(17)	L - 2mm	L	L	L - 21mm	$\frac{L + 44mm}{2}$

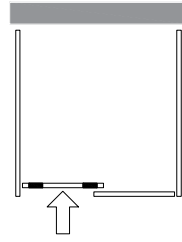
G50U10



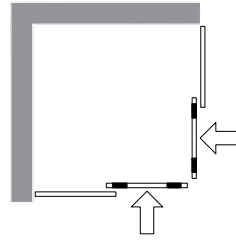
G50U20



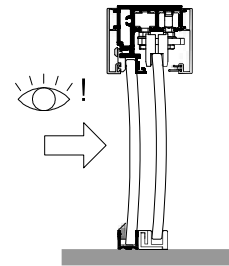
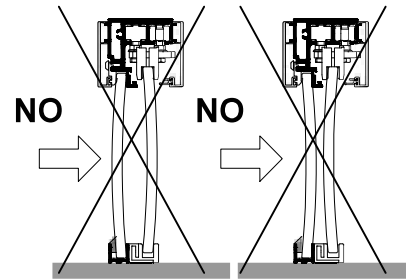
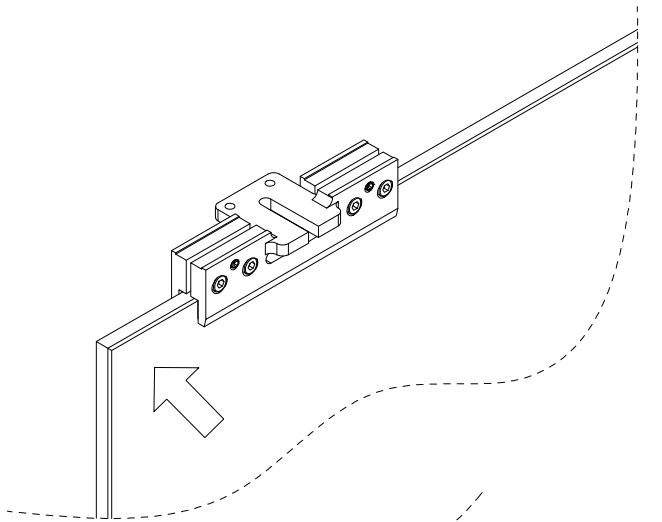
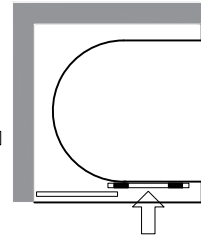
G50U30



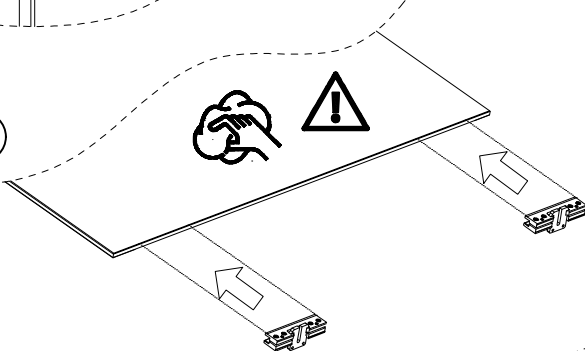
G50U40



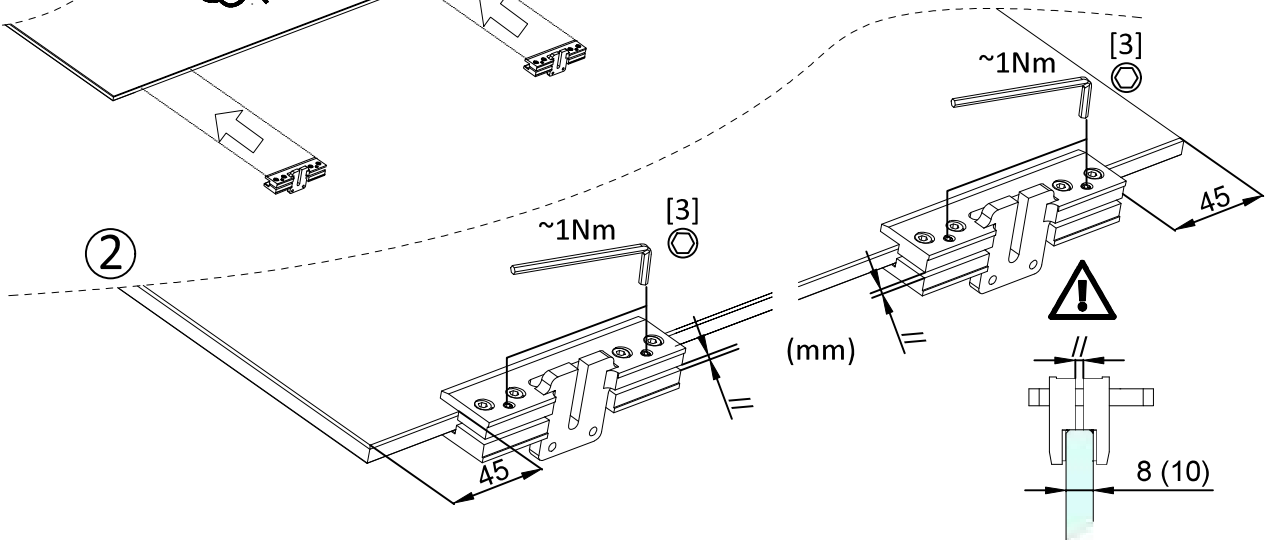
G50U50



①

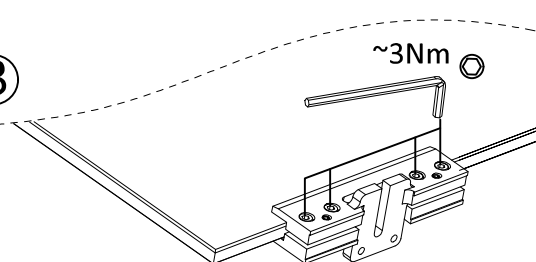


②



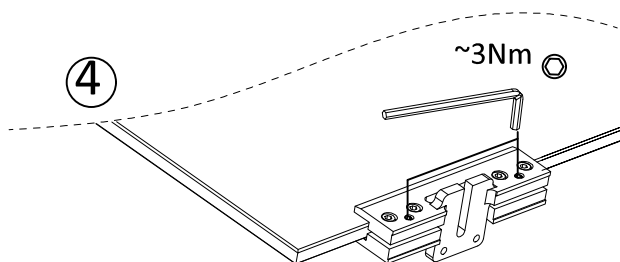
③

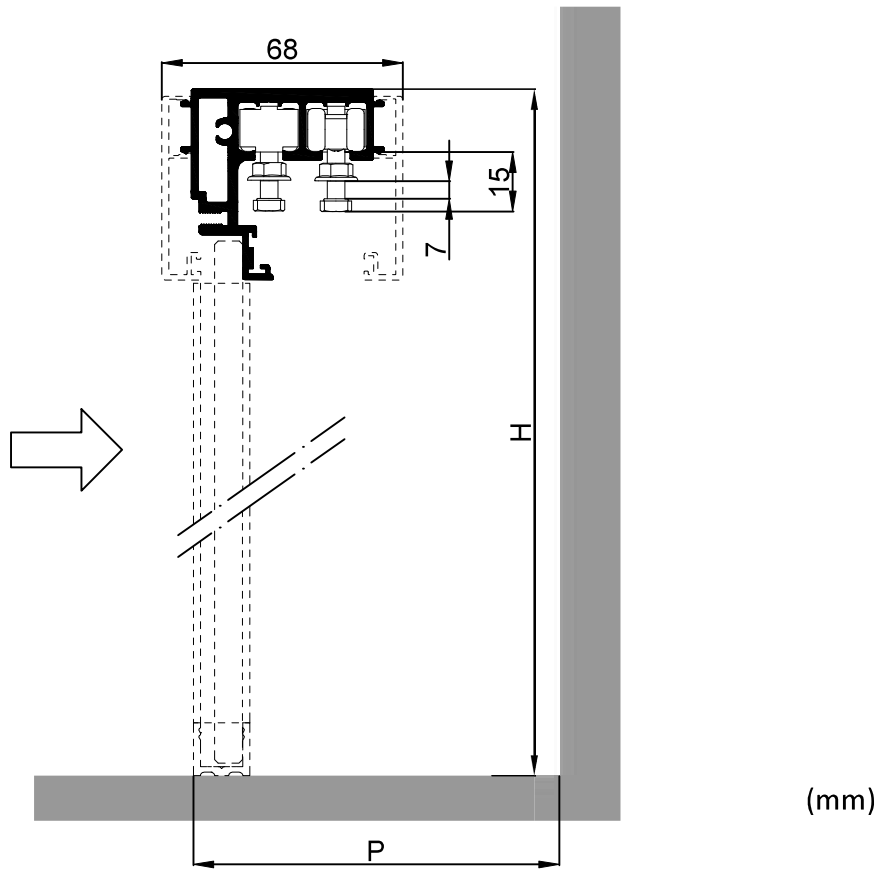
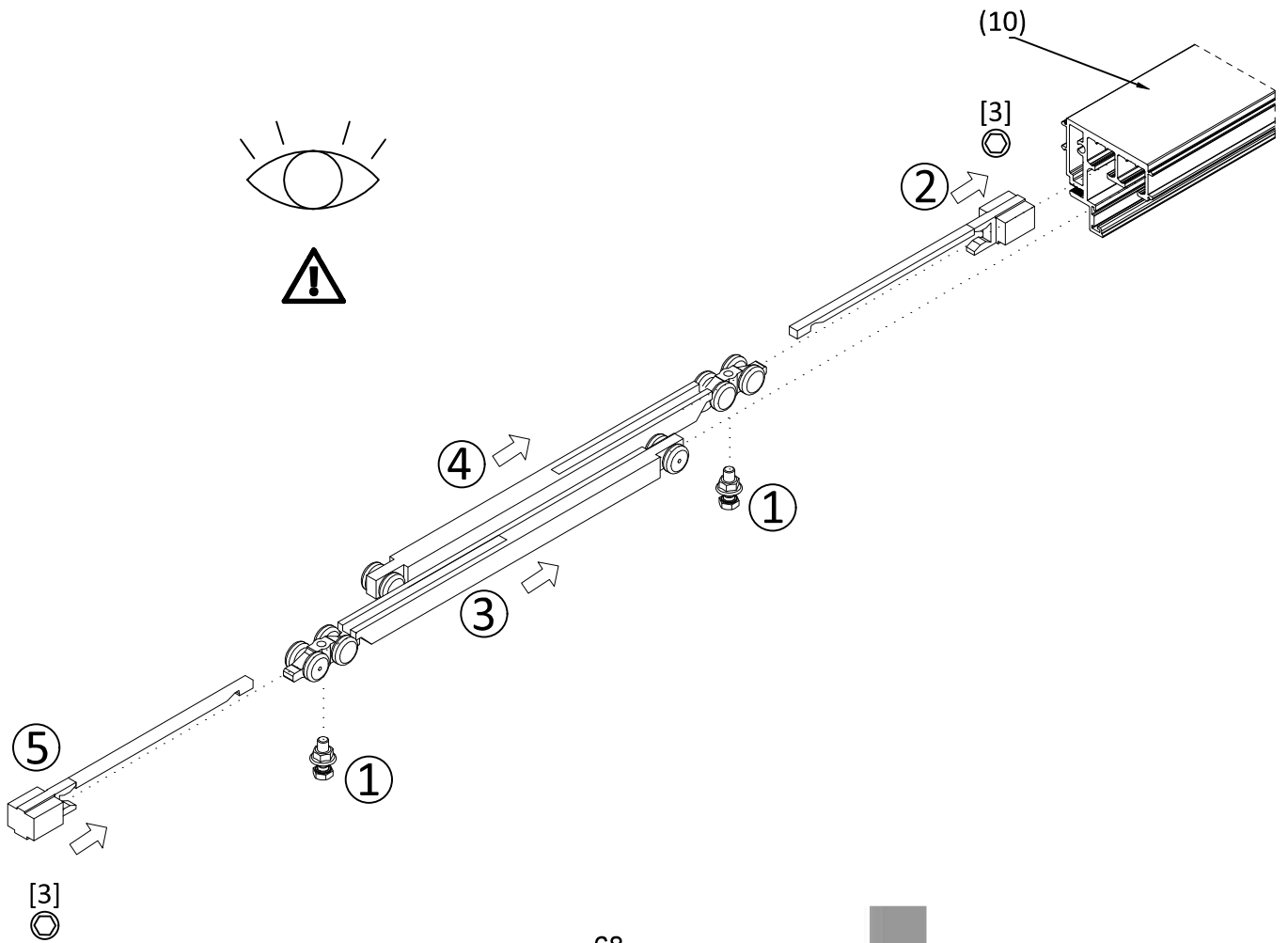
~3Nm



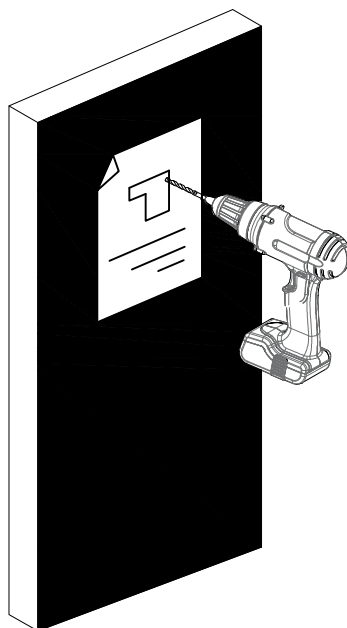
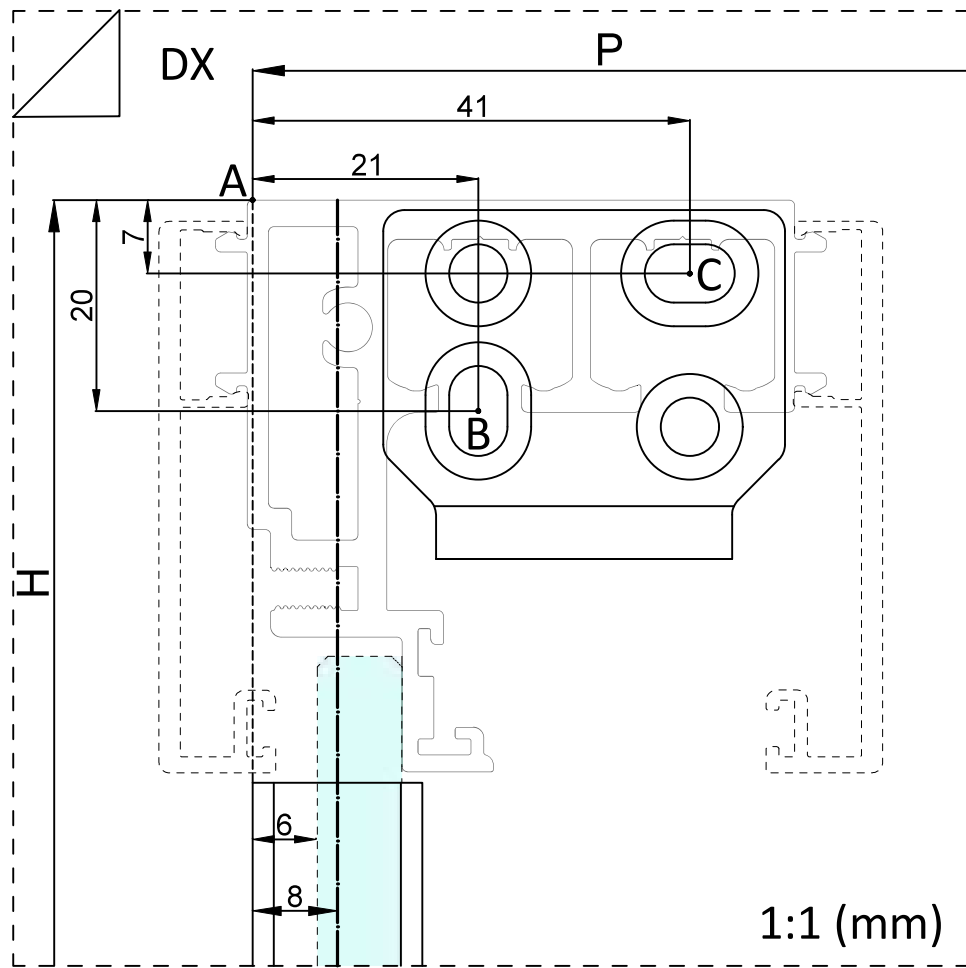
④

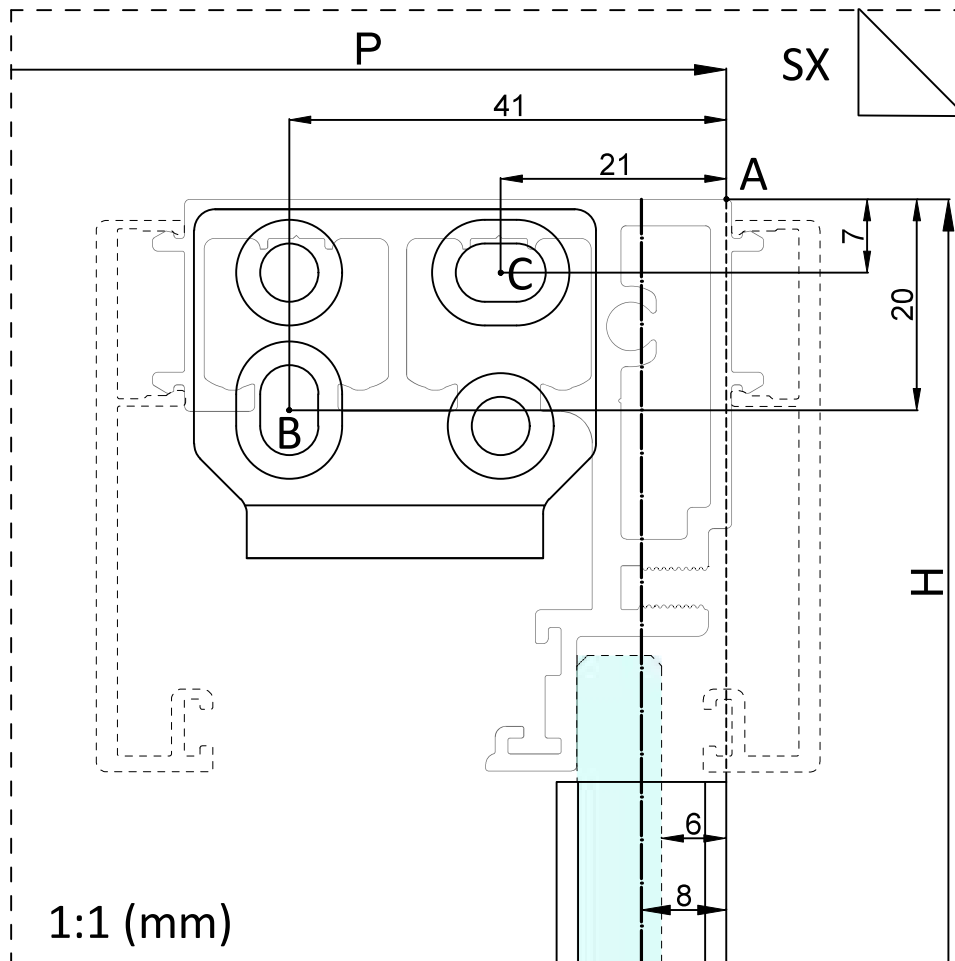
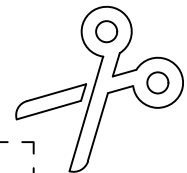
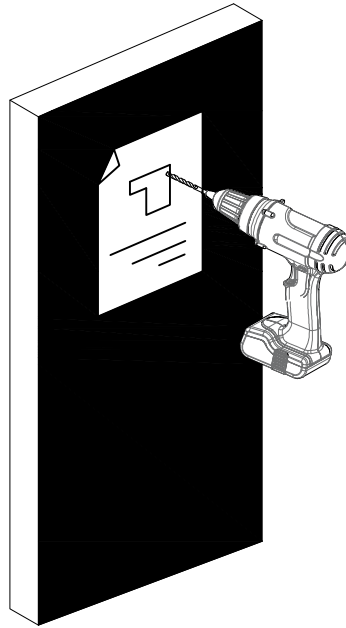
~3Nm

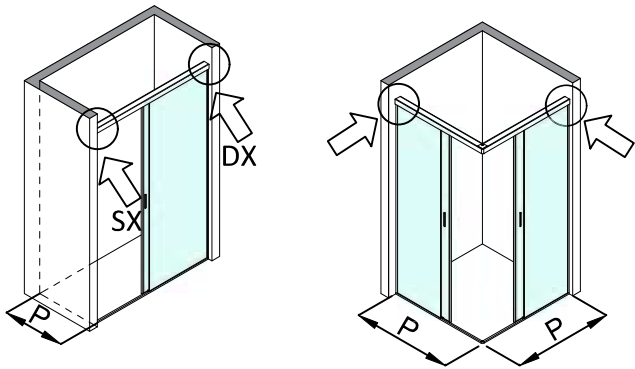




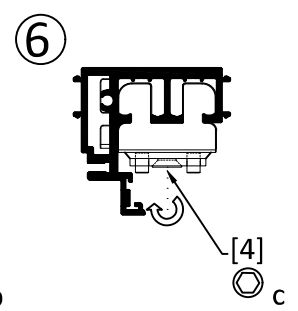
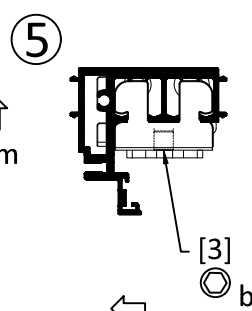
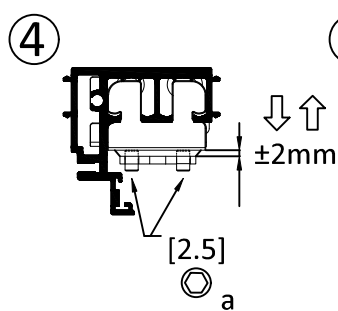
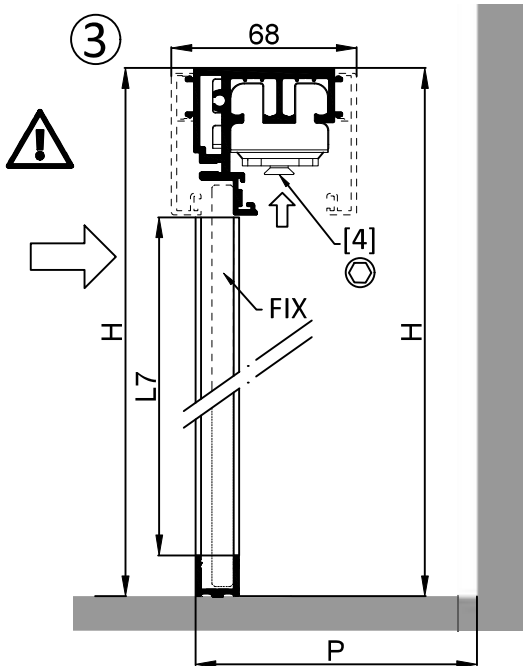
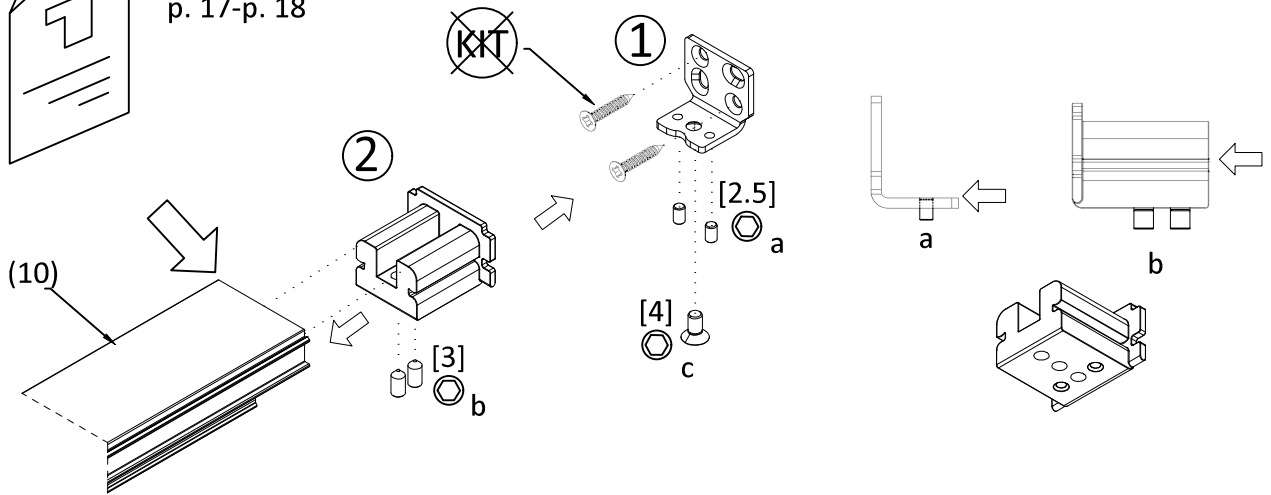
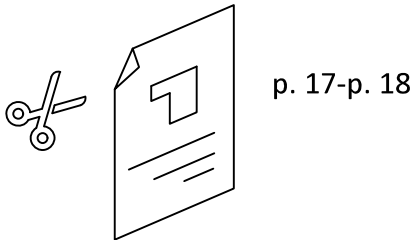
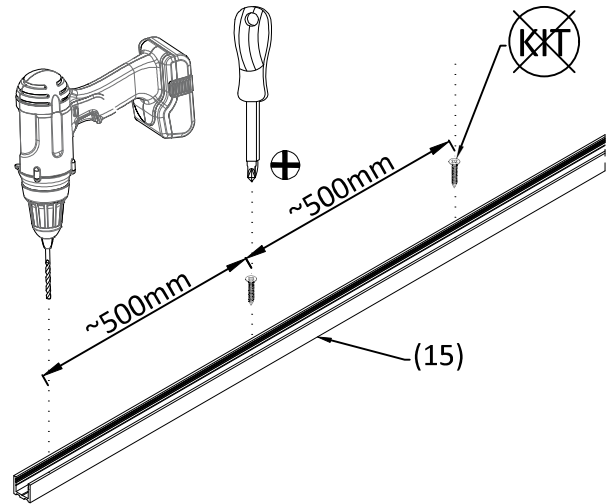
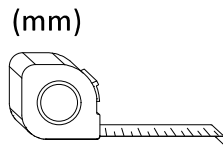
(mm)

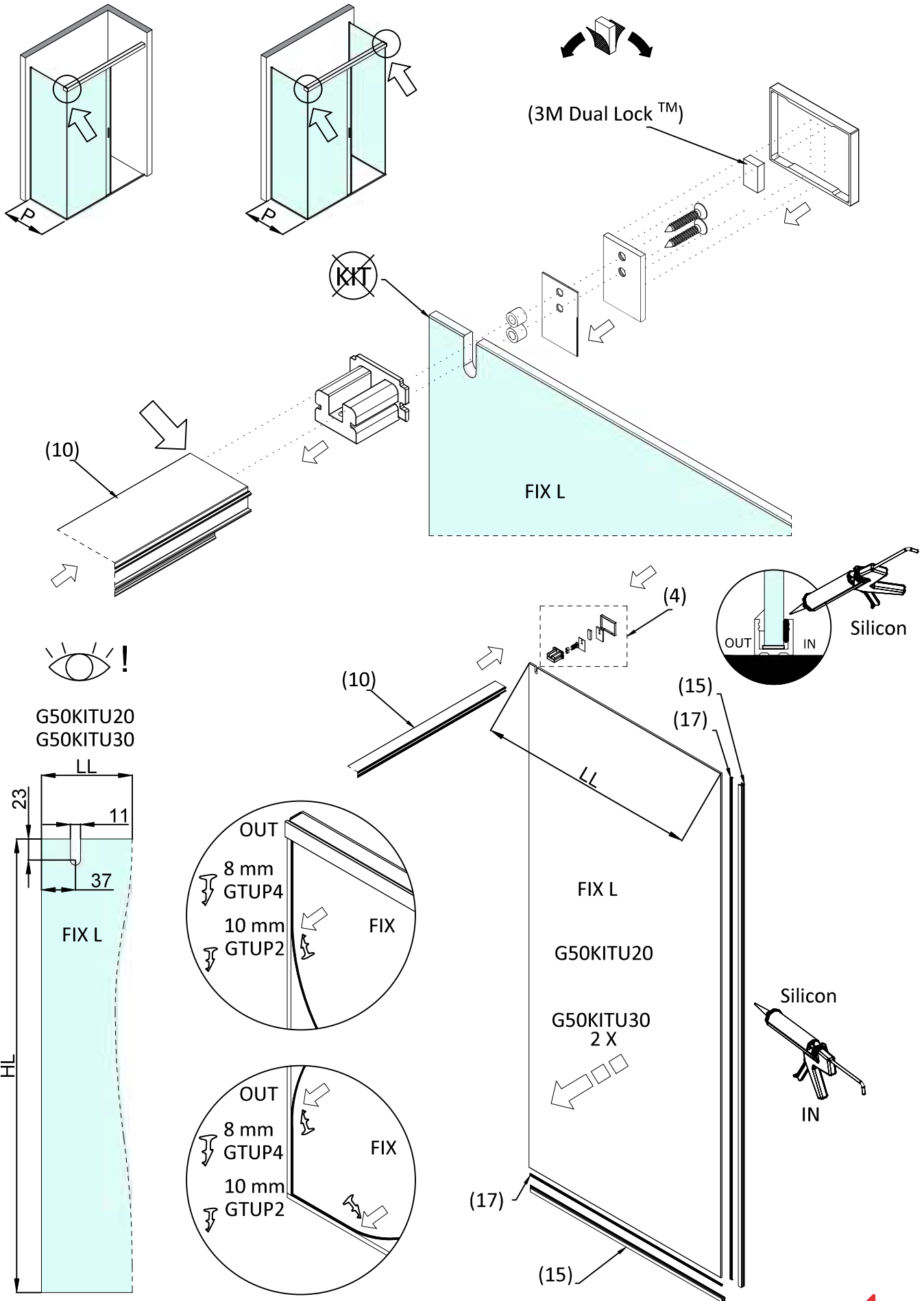


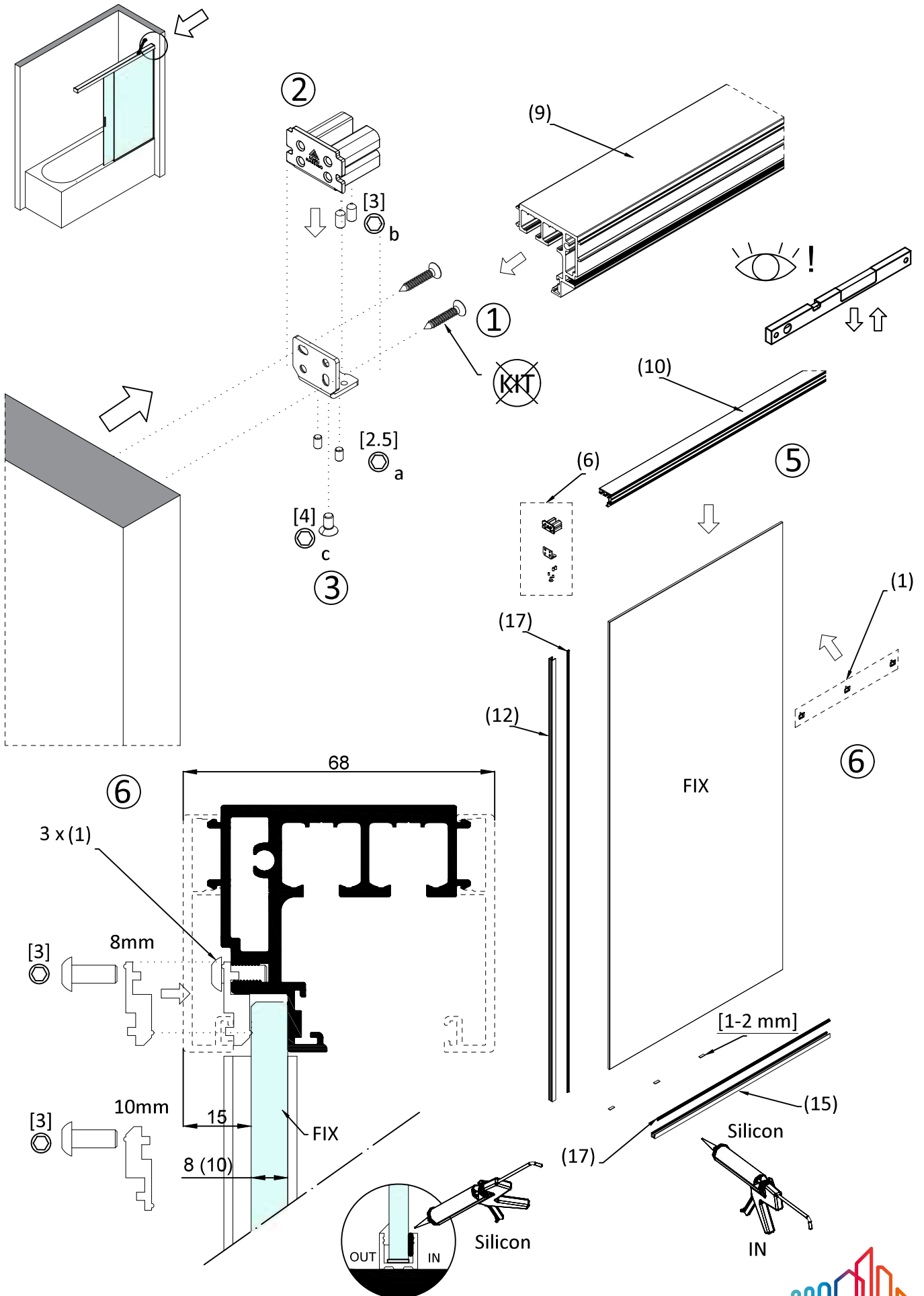


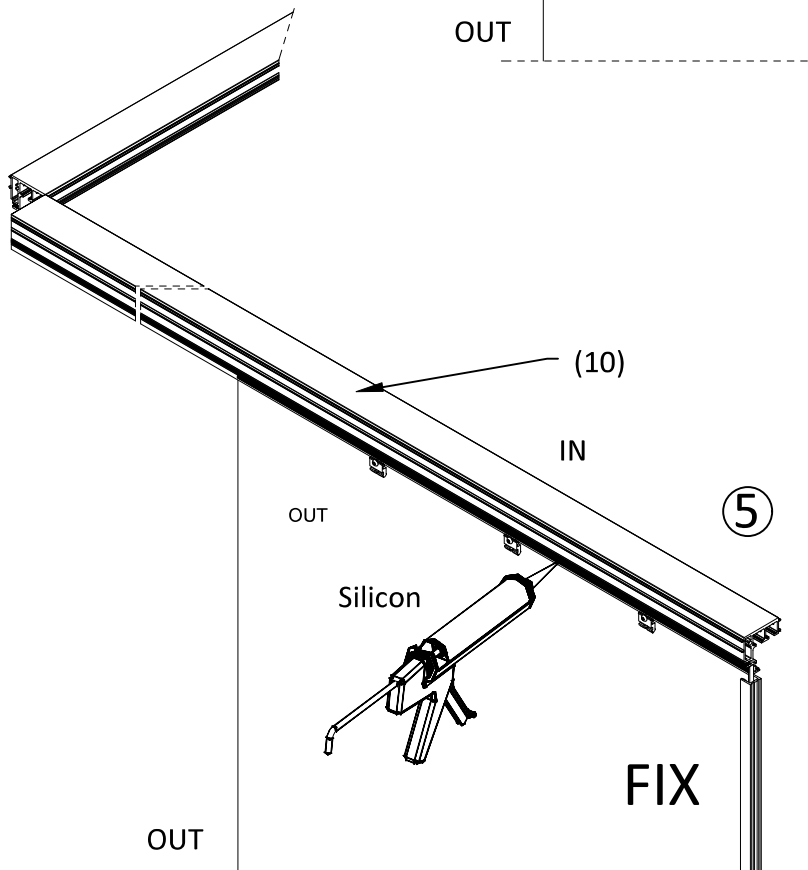
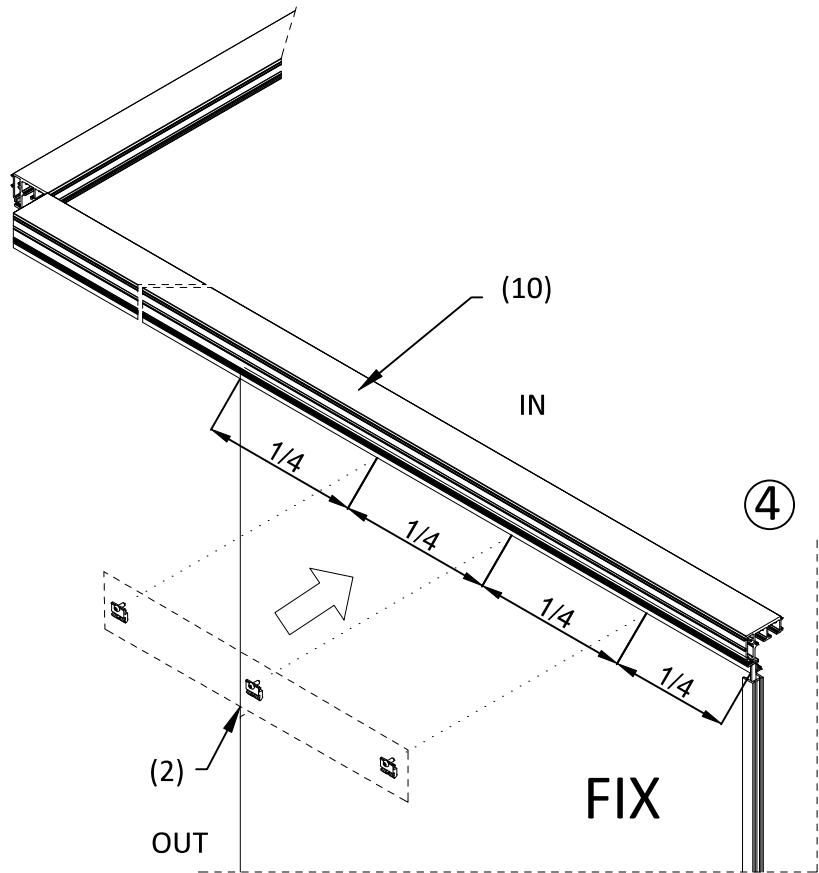
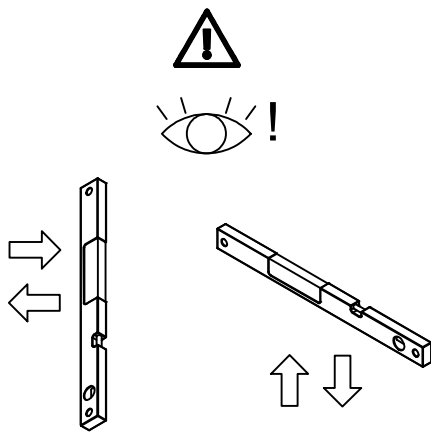
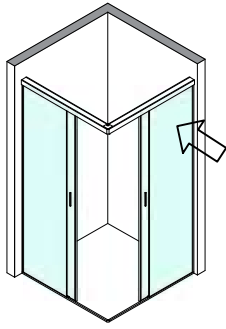


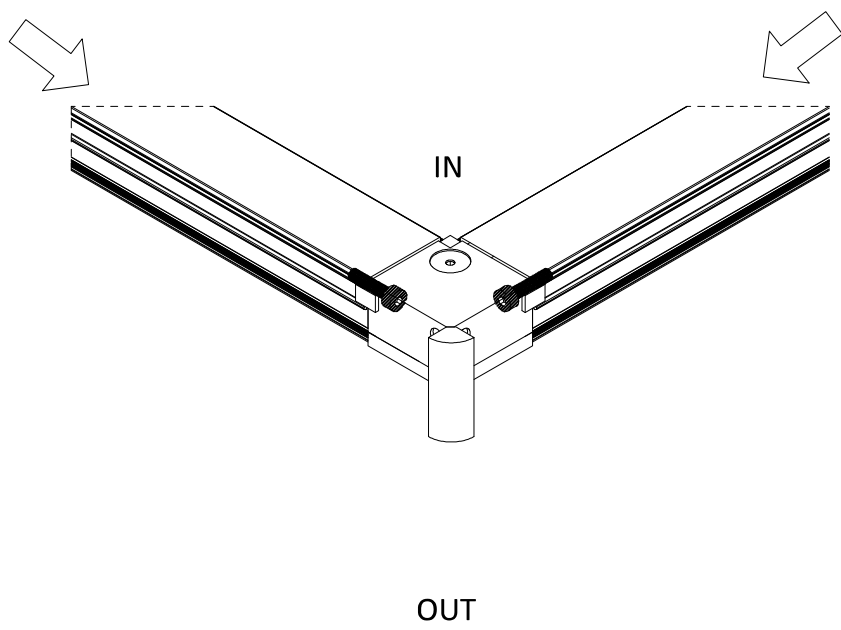
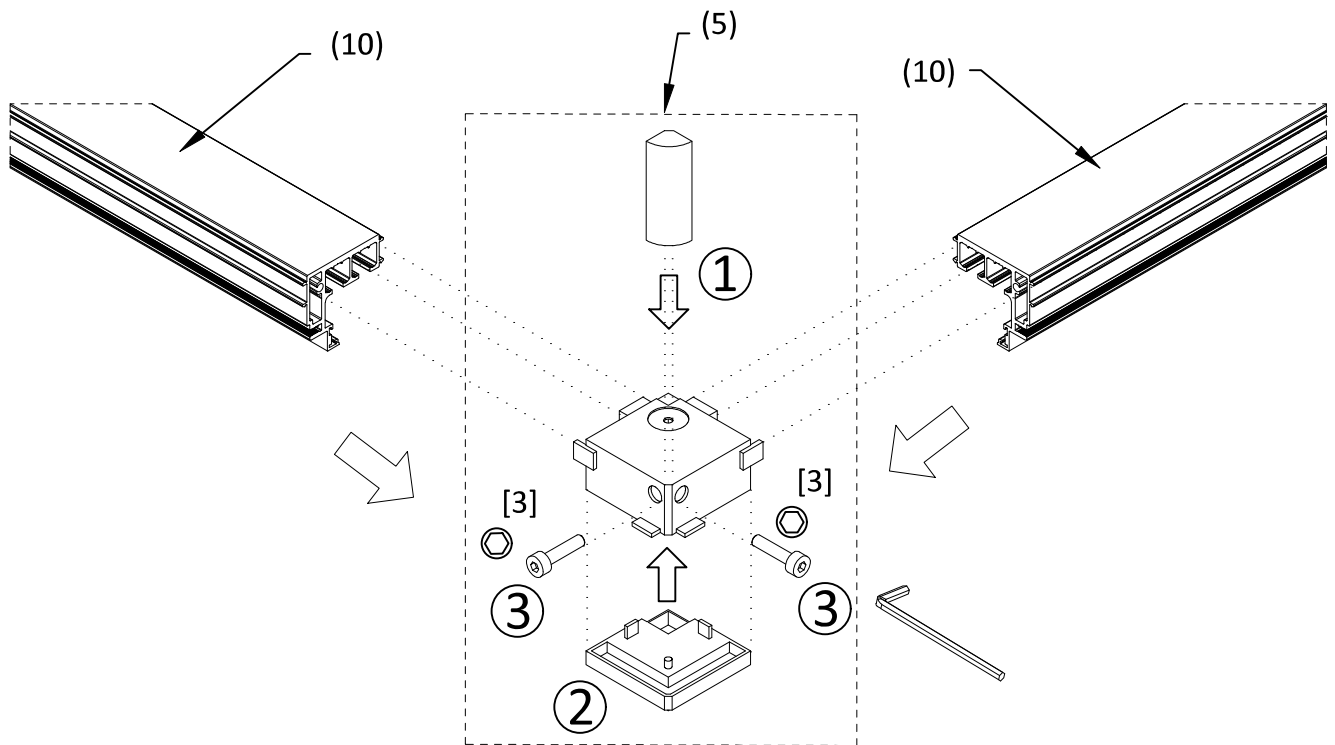
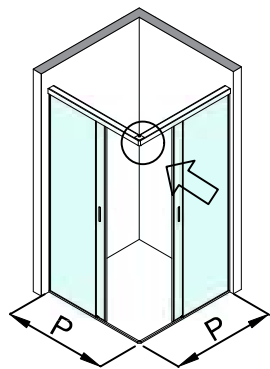
L7 = H - 74
 HS = H - 7
 DS = ~7

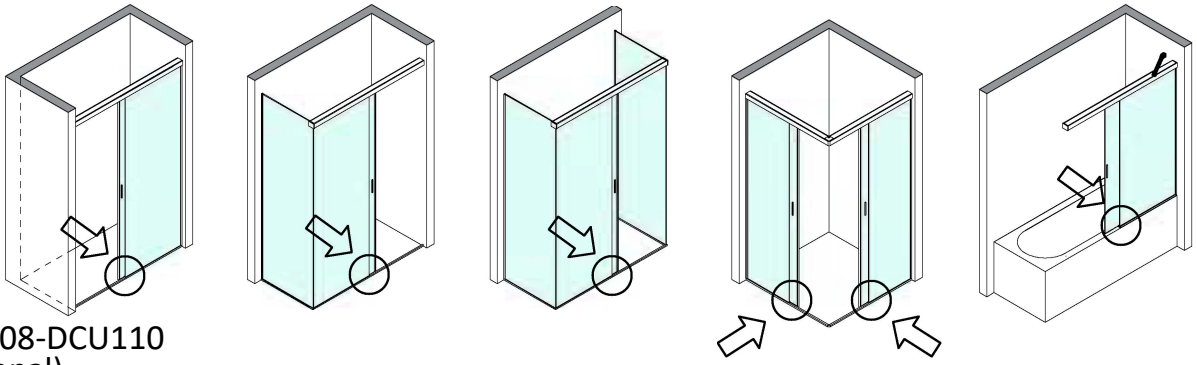




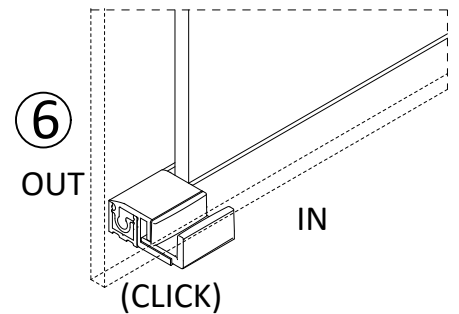
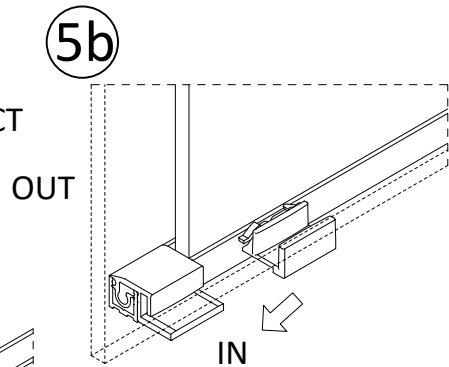
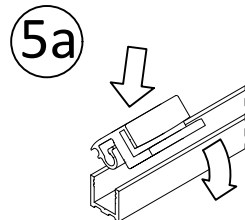
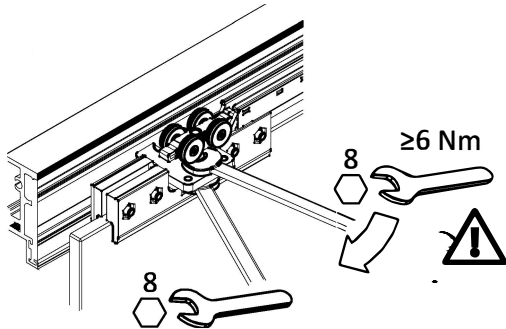
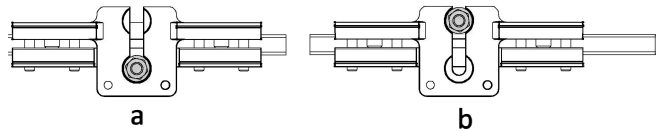
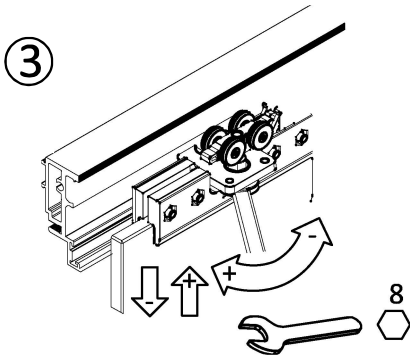
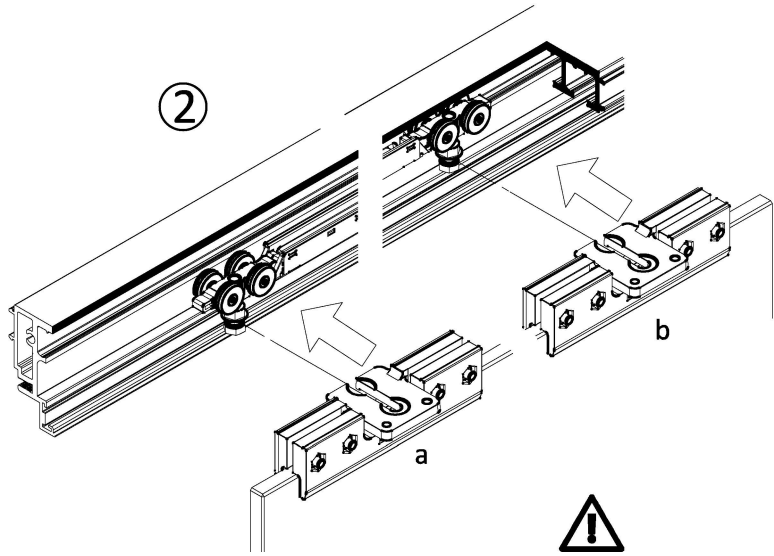
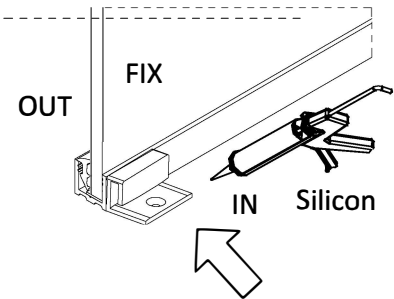
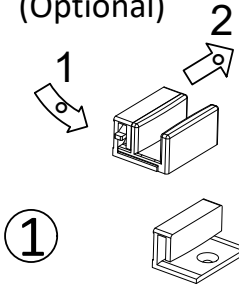


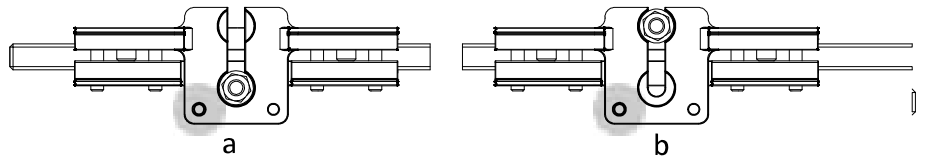
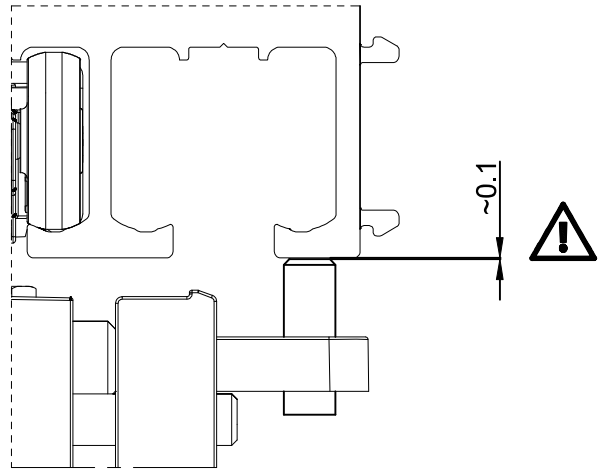
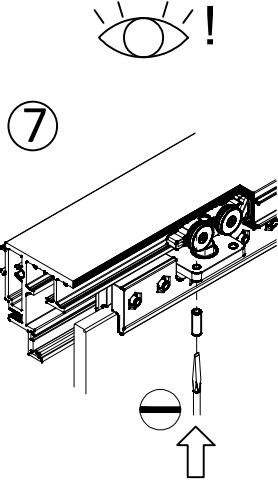




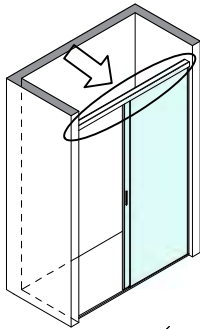


DCU108-DCU110
(Optional)

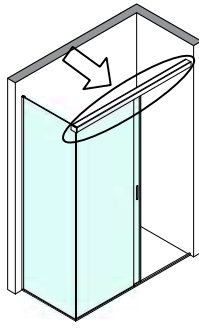




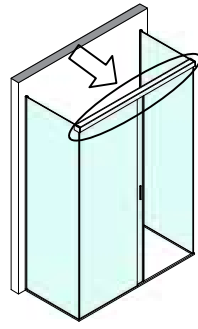
G50U10



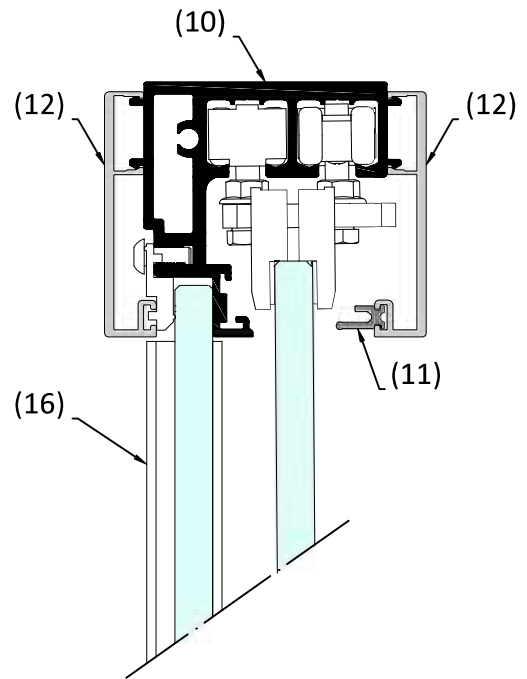
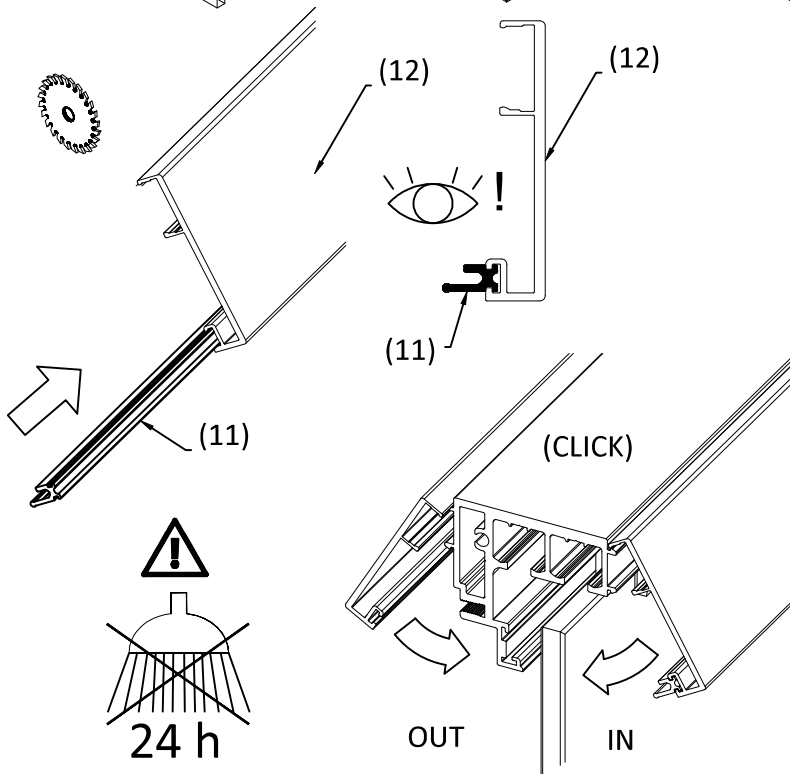
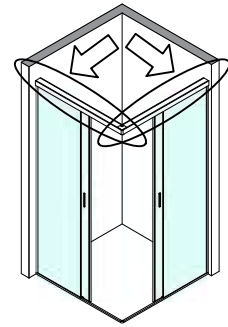
G50U20



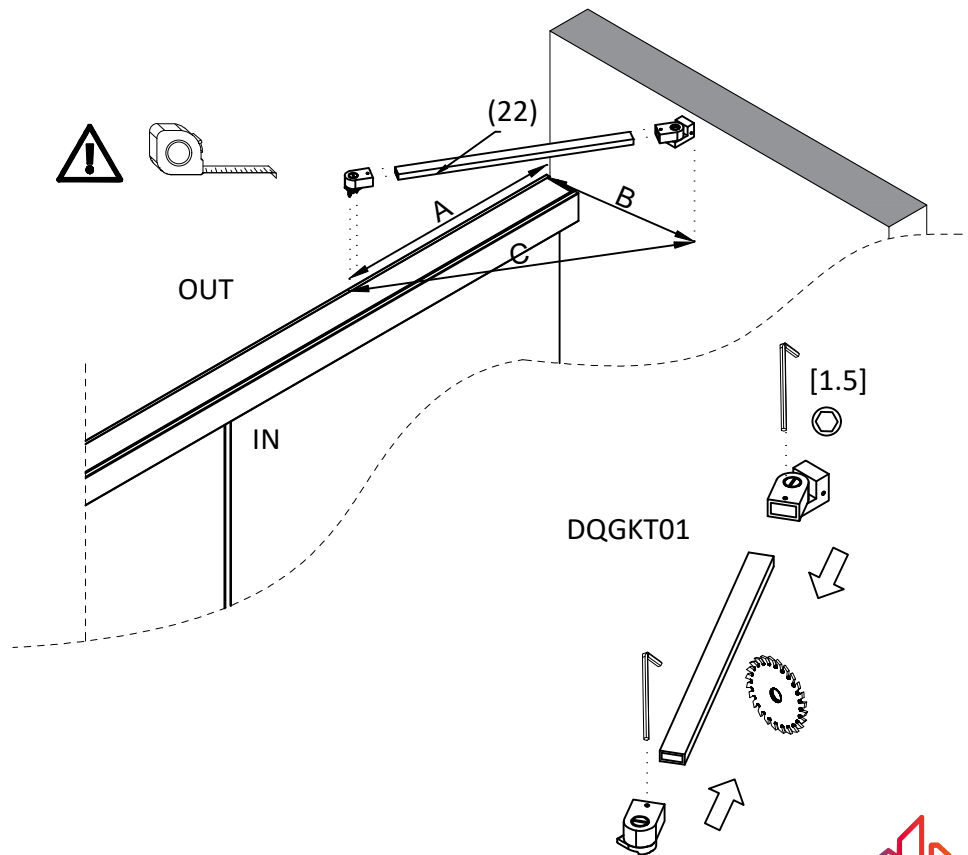
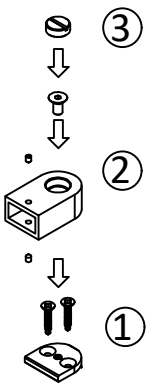
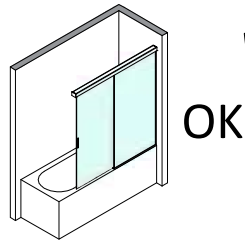
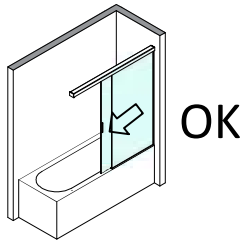
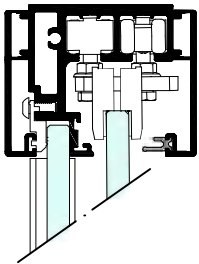
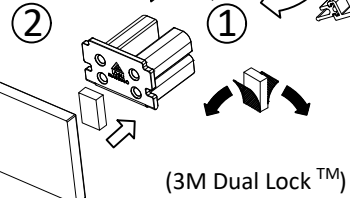
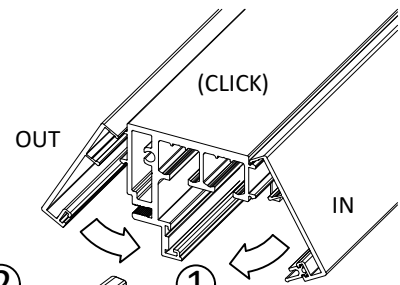
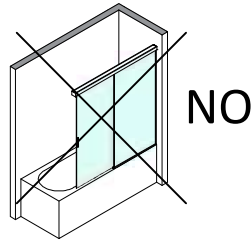
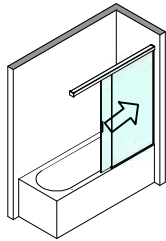
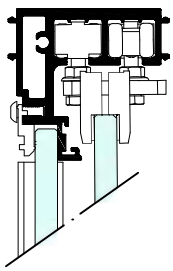
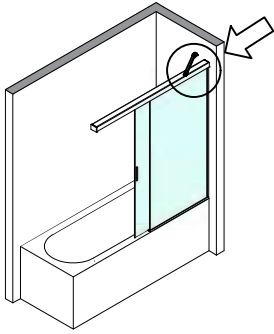
G50U30



G50U40



G50U50



DQGKT01



LOGLI MASSIMO SpA

Via Chemnitz, 49/51 59100

Prato - Italia

Tel. +39.0574.848111

Fax +39.0574.527574

www.loglimassimo.it

info.lm@saint-gobain.com