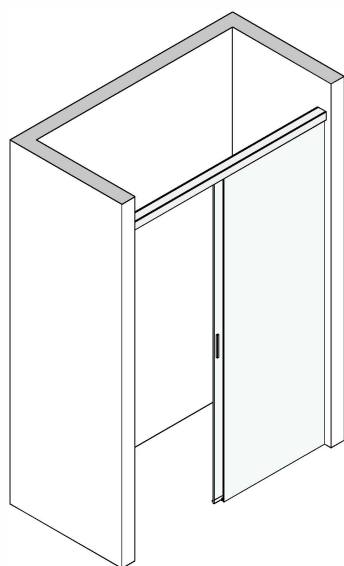
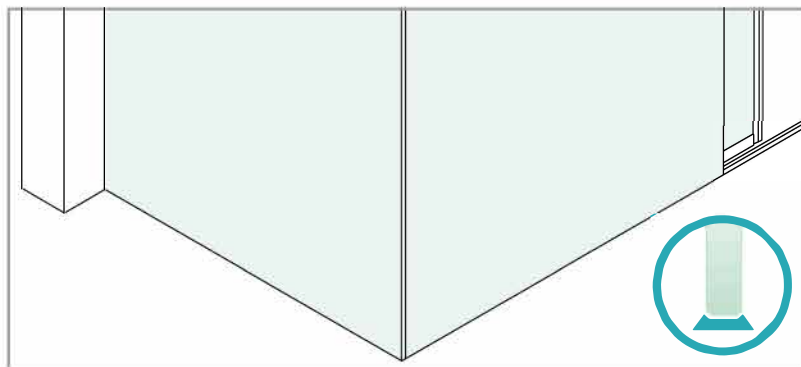


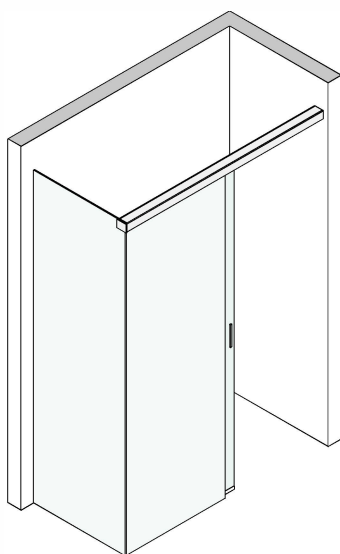
GOC CIA50 S

ISTRUZIONI DI MONTAGGIO
ASSEMBLY INSTRUCTIONS
INSTRUCTIONS DE MONTAGE

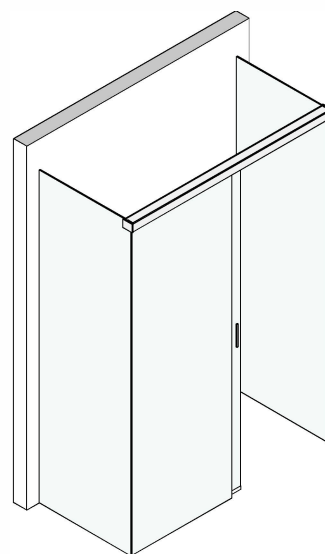
rev. 5.1



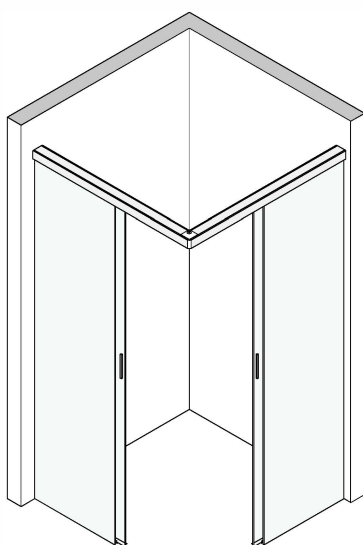
G50S10



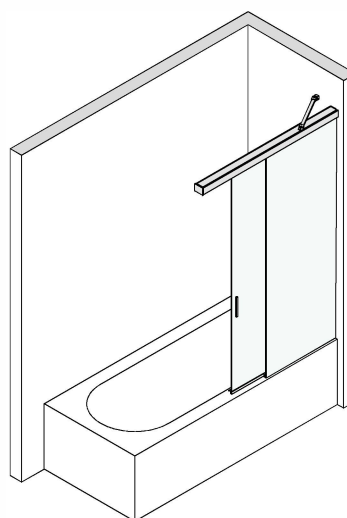
G50S20



G50S30



G50S40



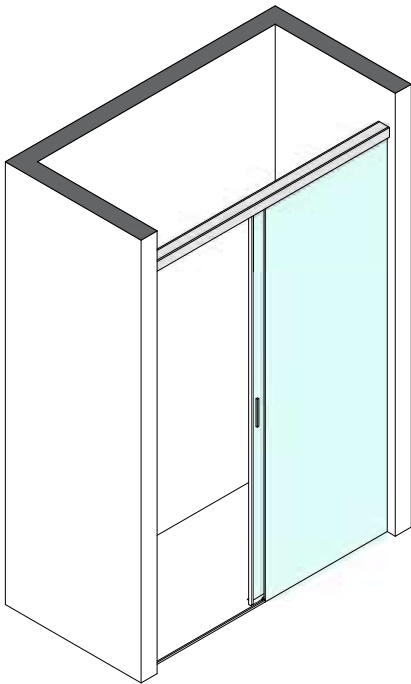
G50S50



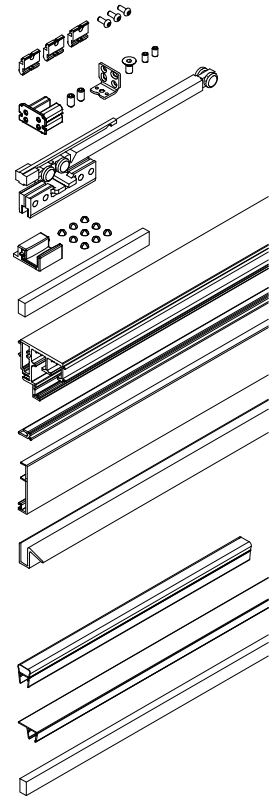
Type Approved
Safety
Regular Production
Surveillance

www.tuv.com
ID 1111292248

G50S10



(2)	G50KIT02	1 Kit
(3)	G50KIT03	2 Kit
(1)	G50KIT01	2 Kit
(8)	DCS108	1 Pz
(9)	MAN500V150	2 Pz
(10)	LM5859	1 Pz
(11)	057.3078.002	3 m
(12)	LM0859	2 Pz
(20)	GM900807	1 Pz
OPTIONAL		
(13)	GM06	1 Pz
(14)	GM1410	1 Pz
(21)	PESQ0810	1 Pz

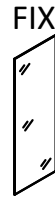


! LV (max 1500 mm)
H (max 2247 mm)



$$L_g = (LV + 38) / 2$$

$$H_g = H - 46$$

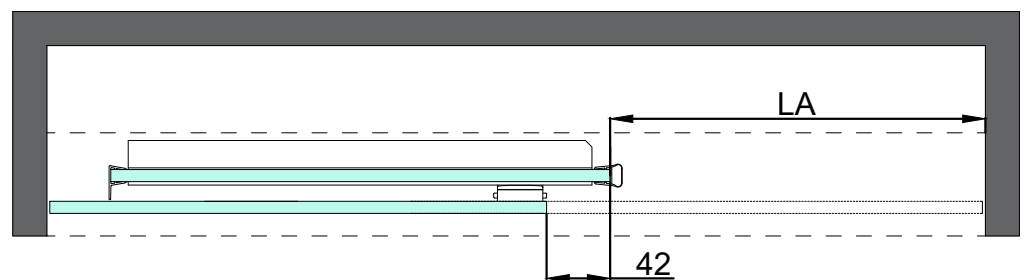
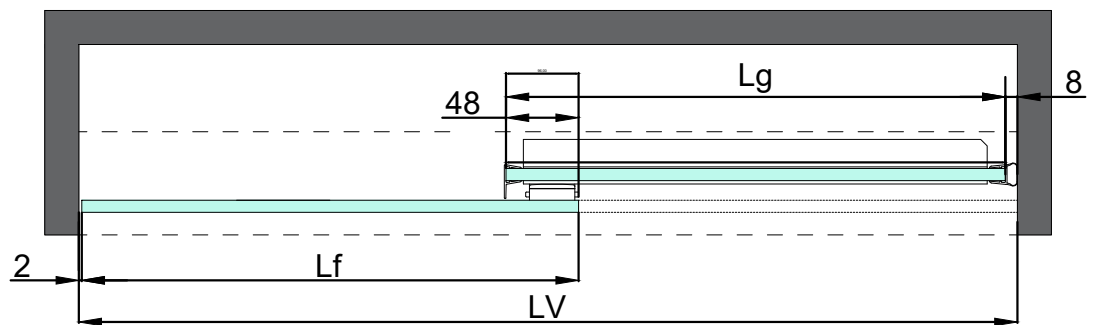
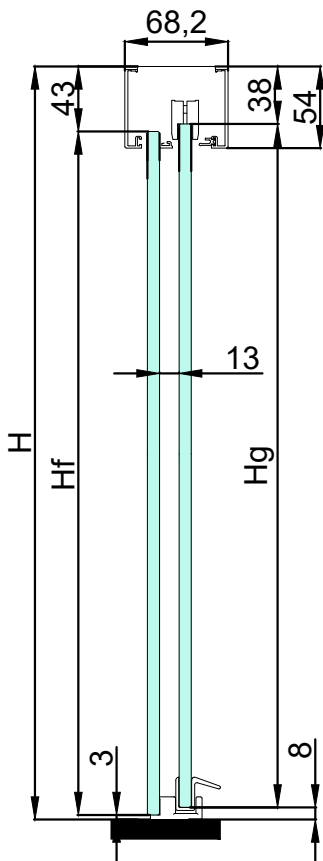


$$L_f = L_g$$

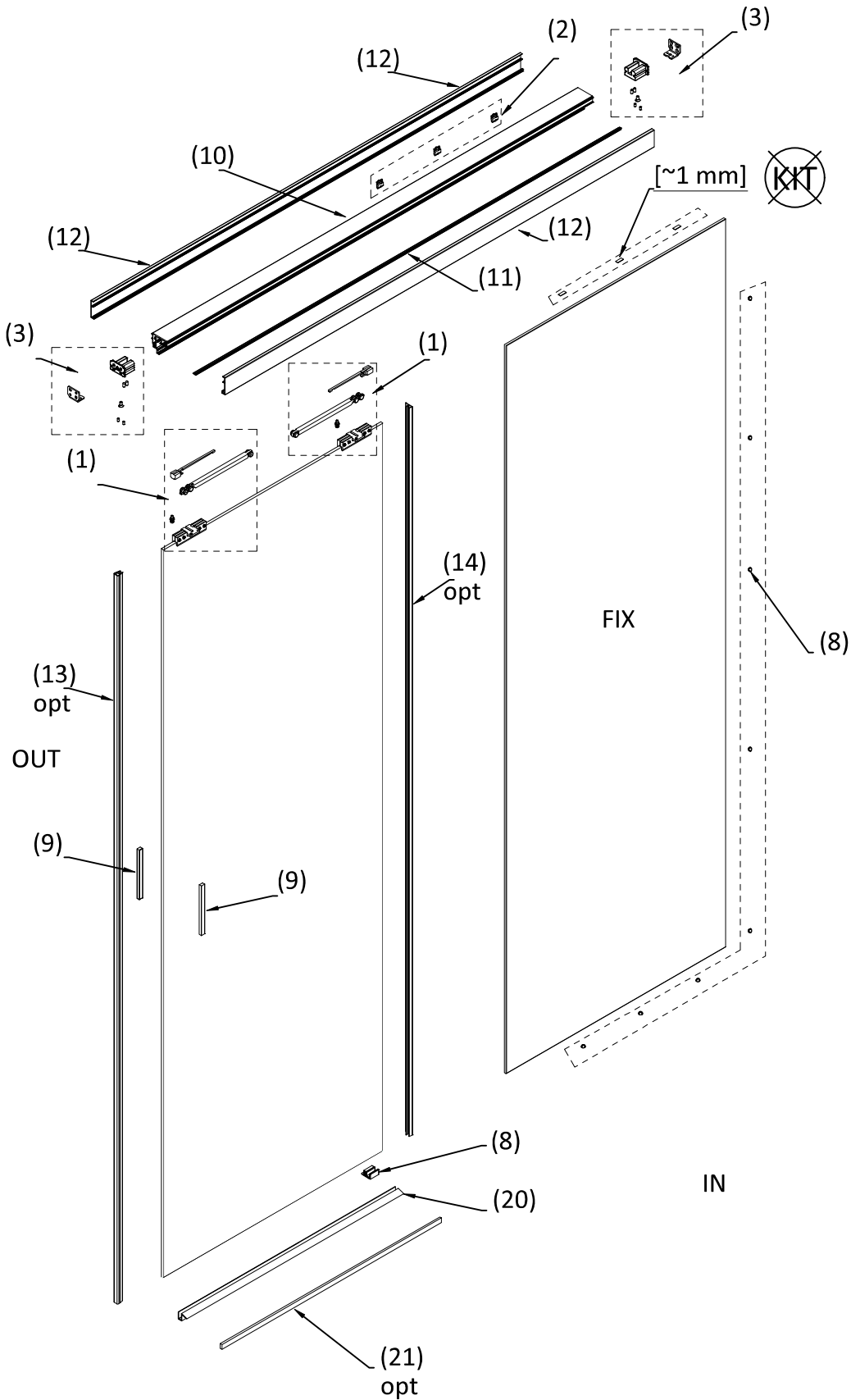
$$H_f = H_g$$



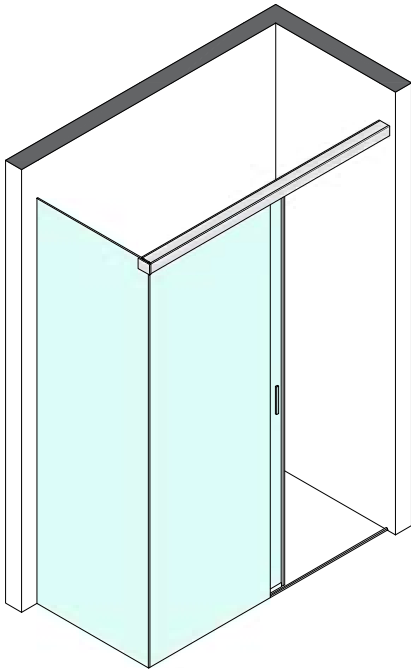
$$LA = (LV - 126) / 2$$



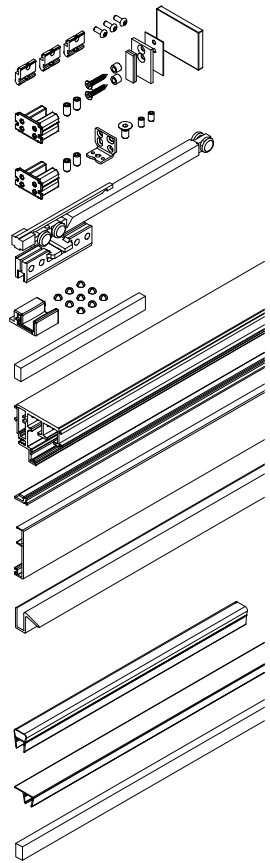
(mm)



G50S20



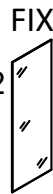
(2)	G50KIT02	1 Kit
(4)	G50KIT04	1 Kit
(3)	G50KIT03	2 Kit
(1)	G50KIT01	2 Kit
(8)	DCS108	1 Pz
(9)	MAN500V150	2 Pz
(10)	LM5859	1 Pz
(11)	057.3078.002	3 m
(12)	LM0859	2 Pz
(20)	GM900807	1 Pz
OPTIONAL		
(13)	GM06	1 Pz
(14)	GM1410	1 Pz
(21)	PESQ0810	1 Pz



! LV (max 1496 mm)
H (max 2247 mm)

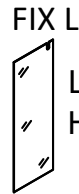
$$L_g = (LV + 30) / 2$$

$$H_g = H - 46$$



$$L_f = L_g$$

$$H_f = H_g$$

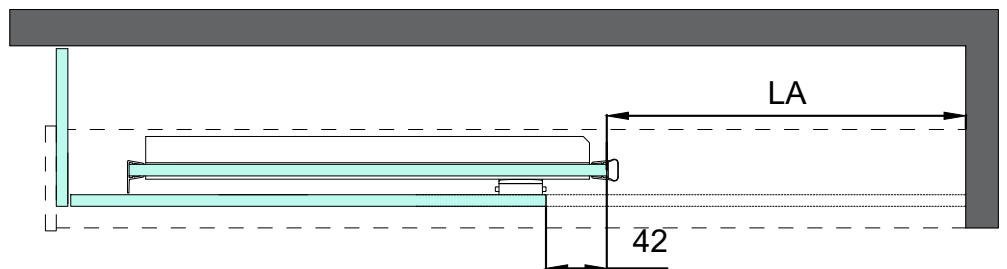
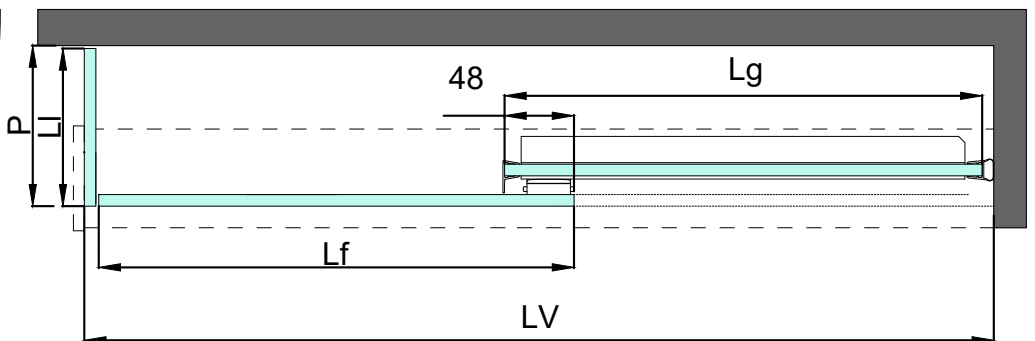
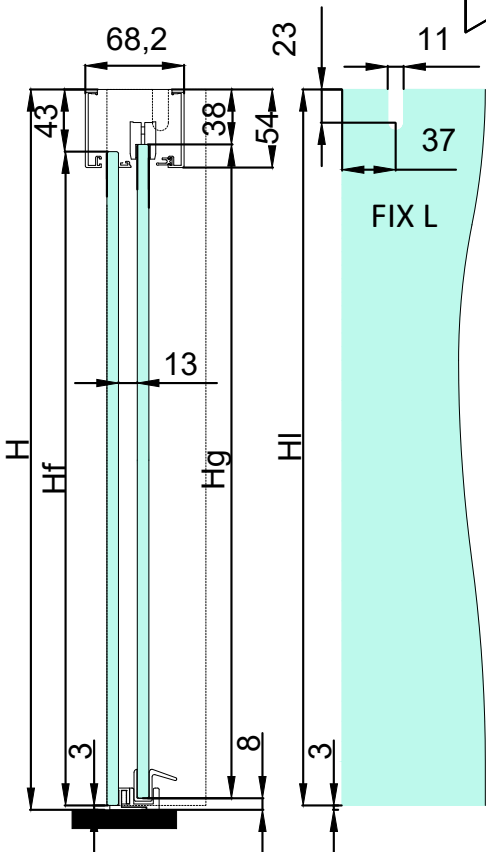


$$L_l = P - 2$$

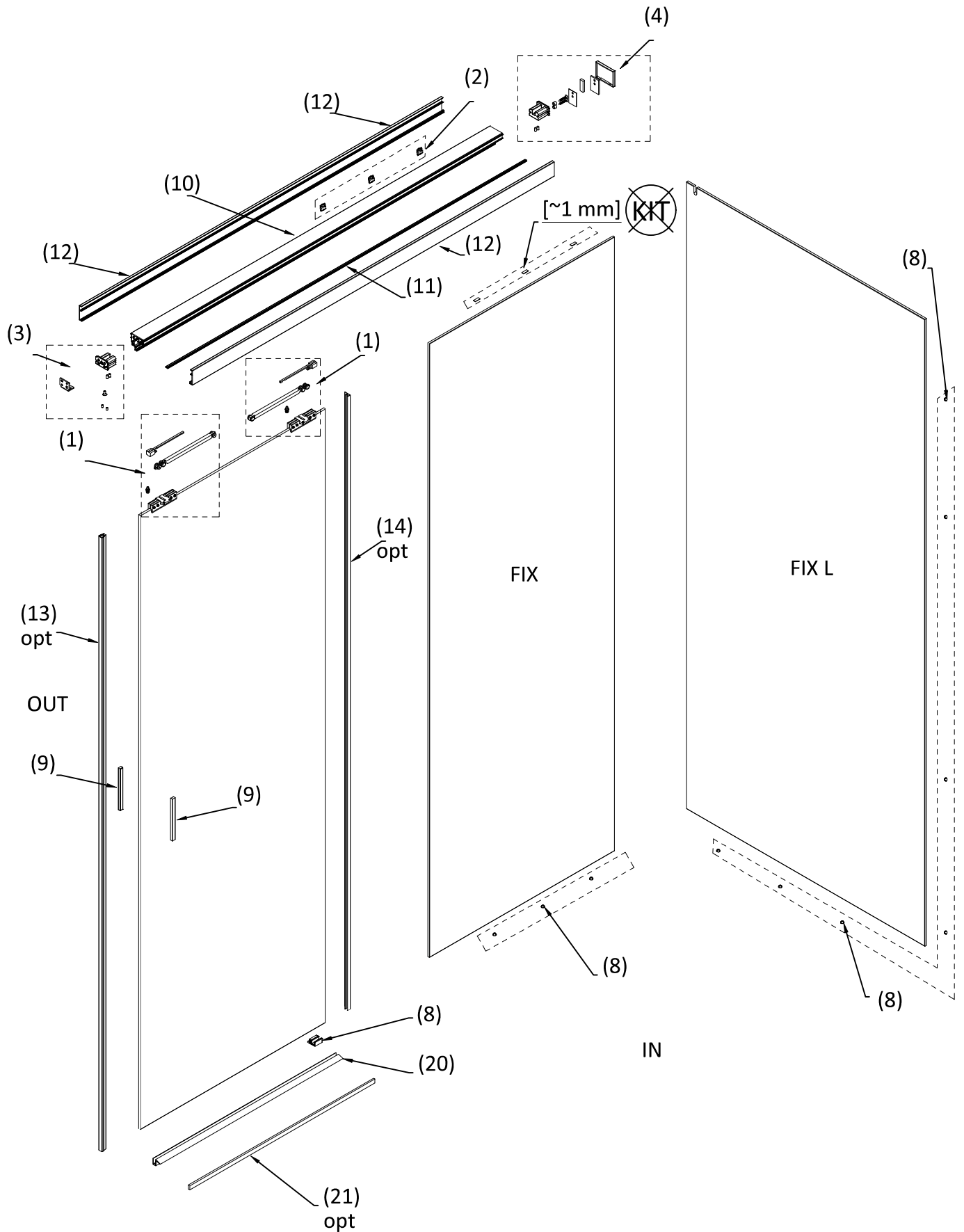
$$H_l = H - 3$$



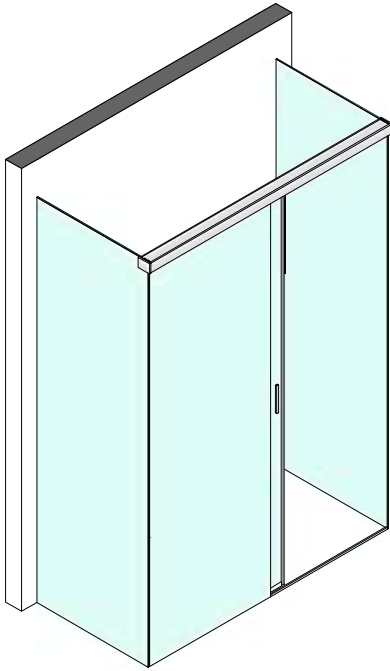
$$L_A = (LV - 134) / 2$$



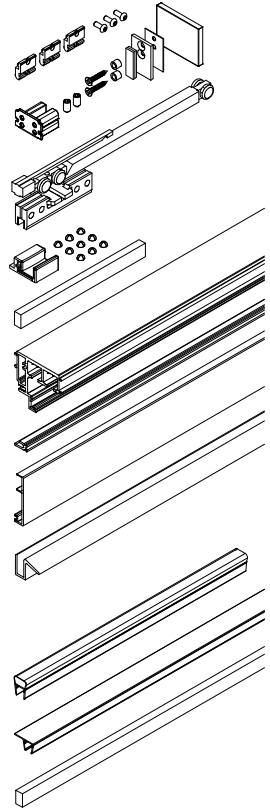
(mm)



G50S30



(2)	G50KIT02	1 Kit
(4)	G50KIT04	1 Kit
(1)	G50KIT01	2 Kit
(8)	DCS108	1 Pz
(9)	MAN500V150	2 Pz
(10)	LM5859	1 Pz
(11)	057.3078.002	3 m
(12)	LM0859	2 Pz
(20)	GM900807	1 Pz
OPTIONAL		
(13)	GM06	1 Pz
(14)	GM1410	1 Pz
(21)	PESQ0810	1 Pz

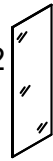


LV (max 1494 mm)
H (max 2247 mm)

$$L_g = (LV + 22) / 2$$

$$H_g = H - 46$$

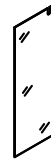
FIX



$$L_f = L_g$$

$$H_f = H_g$$

FIX L

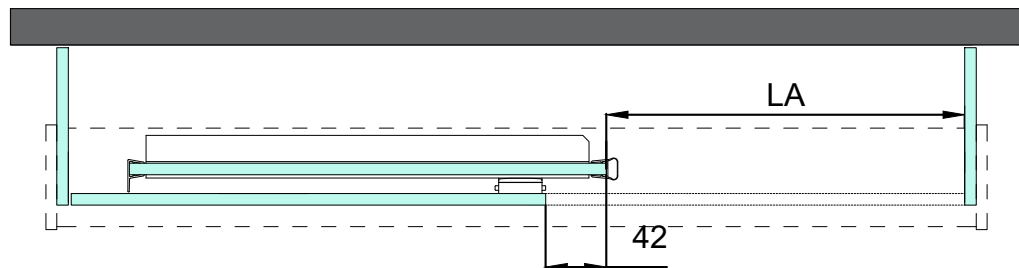
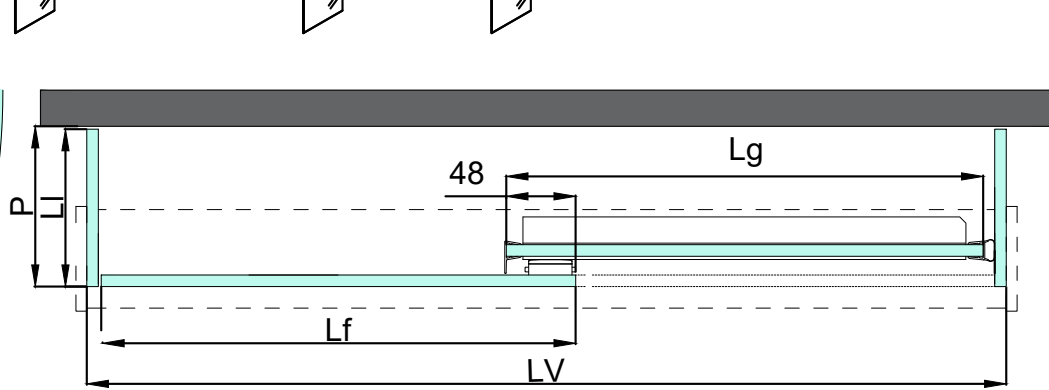
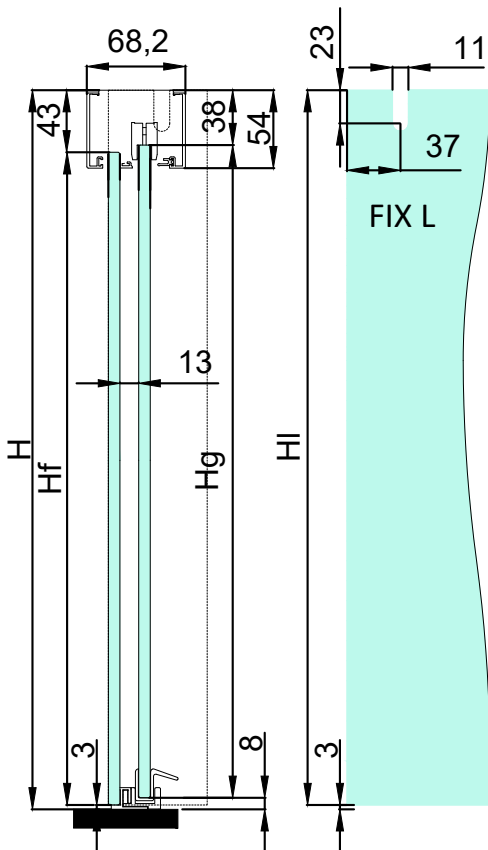


$$L_l = P - 2$$

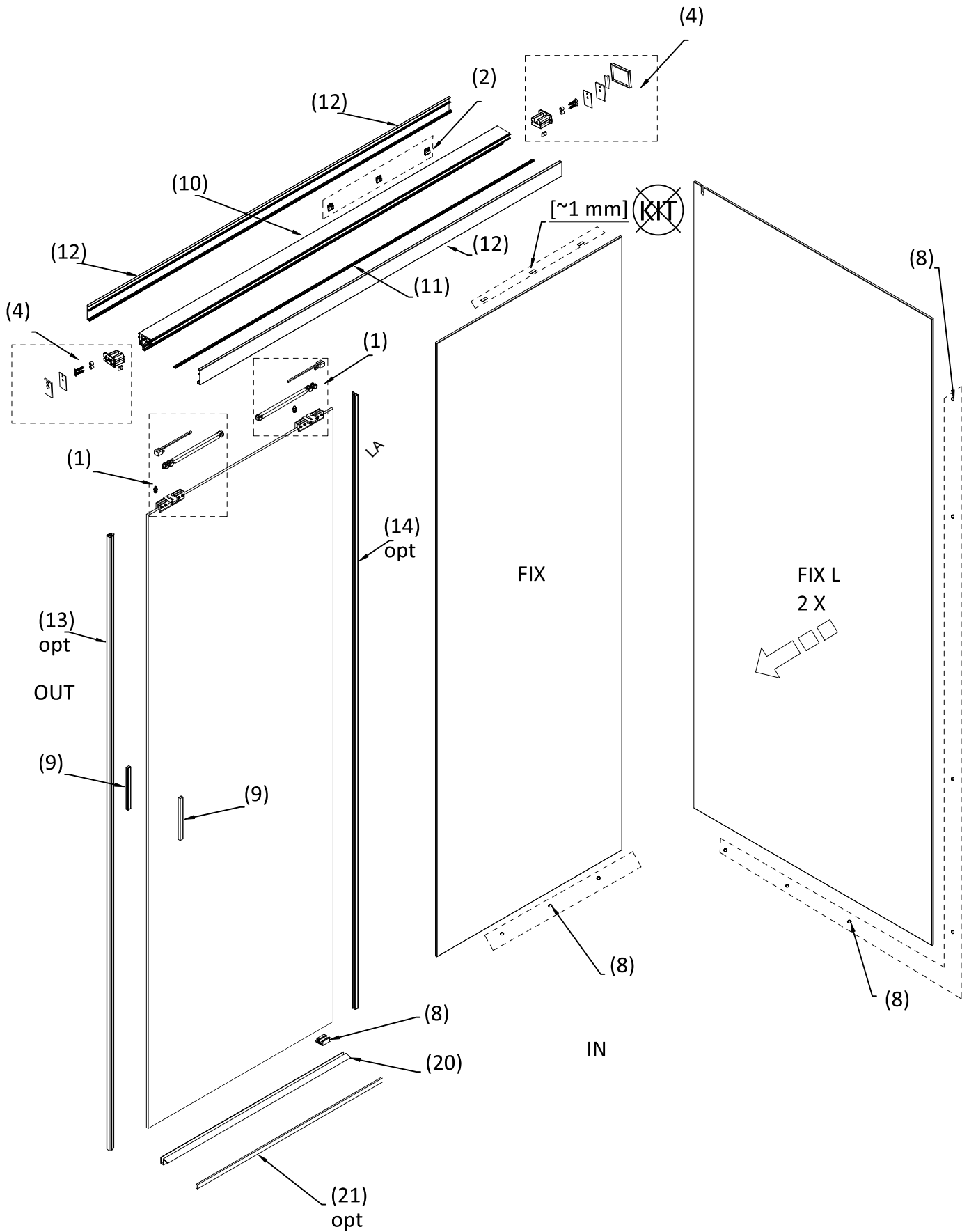
$$H_l = H - 3$$



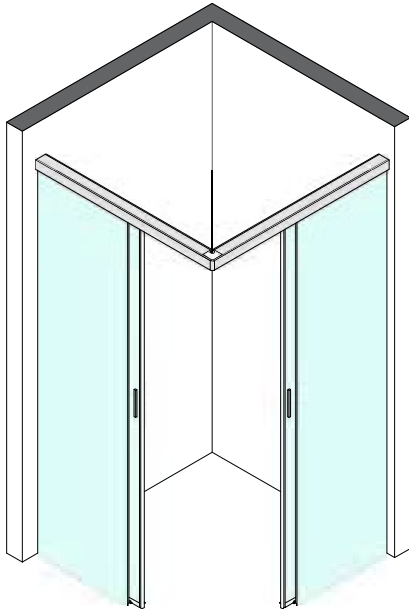
$$L_A = (LV - 142) / 2$$



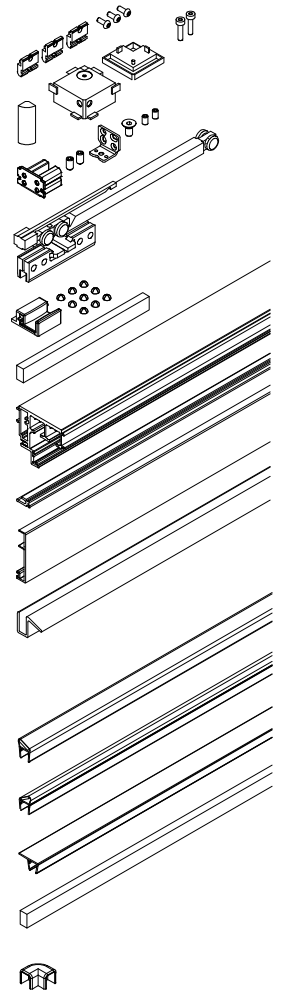
(mm)



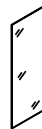
G50S40



(2)	G50KIT02	2 Kit
(5)	G50KIT05	1 Kit
(3)	G50KIT03	2 Kit
(1)	G50KIT01	4 Kit
(8)	DCS108	2 Pz
(9)	MAN500V150	4 Pz
(10)	LM5859	2 Pz
(11)	057.3078.002	6 m
(12)	LM0859	4 Pz
(20)	GM900807	2 Pz
OPTIONAL		
(23)	GM15DX	1 Pz
(23)	GM15SX	1 Pz
(14)	GM0141022	2 Pz
(21)	PESQ0810	2 Pz
(25)	RA9008	1 Pz



LV (max 994 mm)
H (max 2247 mm)



$$Lg = (LV + 12) / 2$$

$$Hg = H - 46$$

FIX

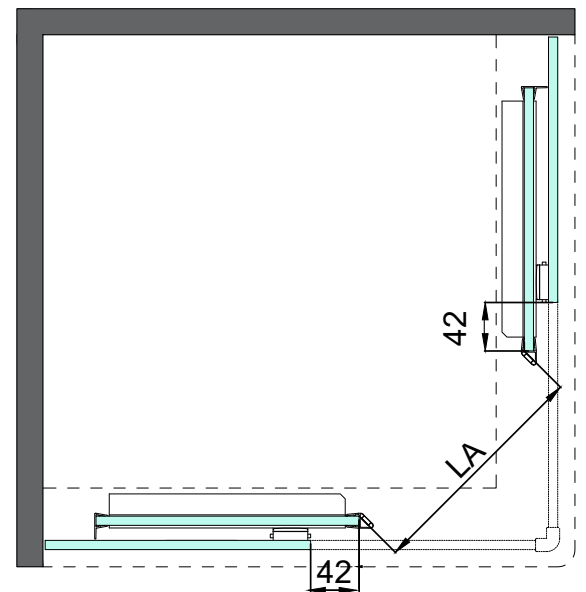
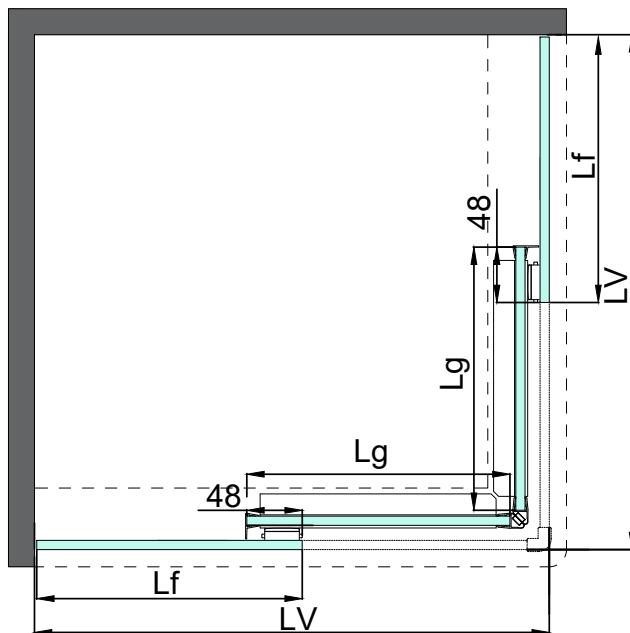
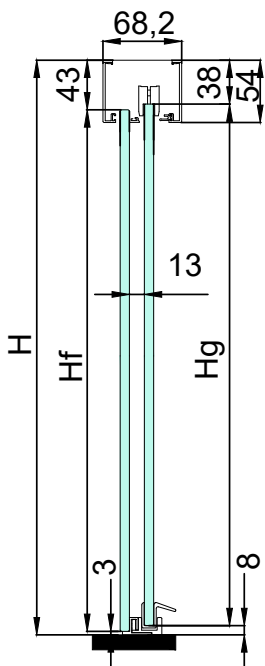


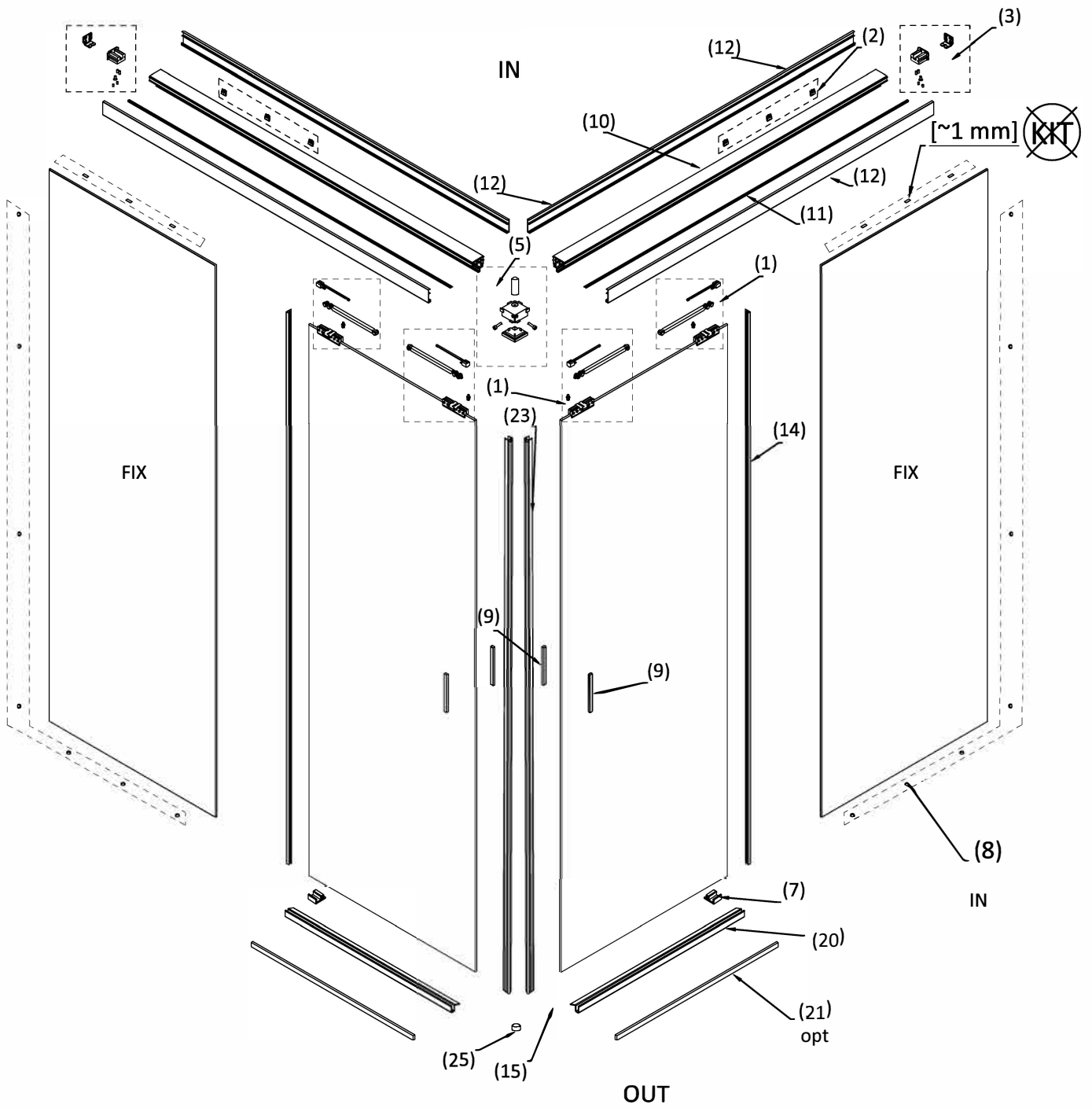
$$Lf = Lg$$

$$Hf = Hg$$

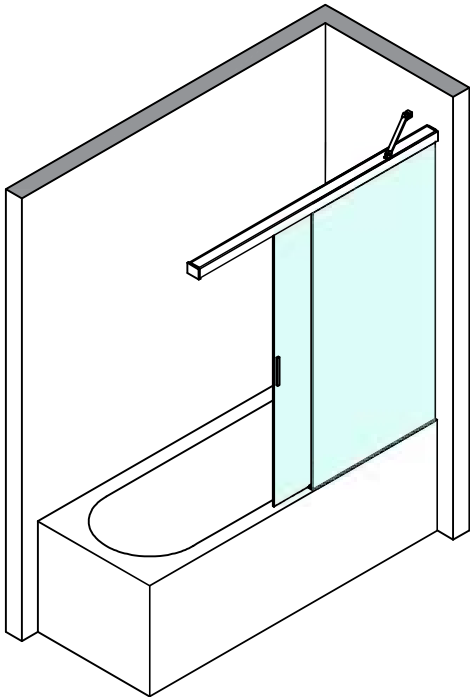


$$LA = 0,7x(LV - 158)$$

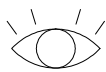
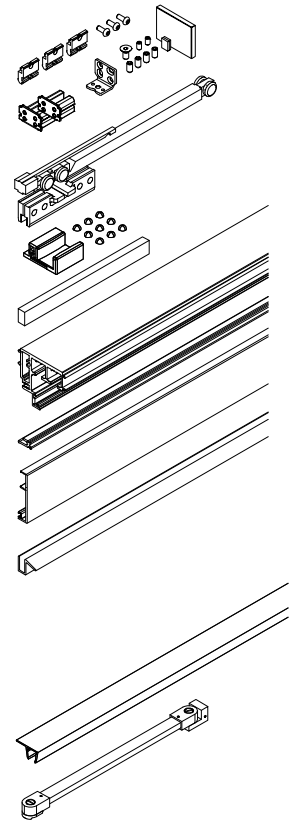




G50S50



(2)	G50KIT02	1 Kit
(6)	G50KIT06	1 Kit
(1)	G50KIT01	2 Kit
(8)	DCV108	1 Pz
(9)	MAN500V150	2 Pz
(10)	LM5859	1 Pz
(11)	057.3078.002	3 m
(12)	LM0859	2 Pz
(20)	GM900807	1 Pz
(14)	GM1410	1 Pz
OPTIONAL		
(14)	GM1410	1 Pz
(22)	DQGKIT26	1 Kit



! LV (max 1500 mm)
H (max 1750 mm)



$$L_g = (LV + 34) / 2$$

$$H_g = H - 46$$

FIX

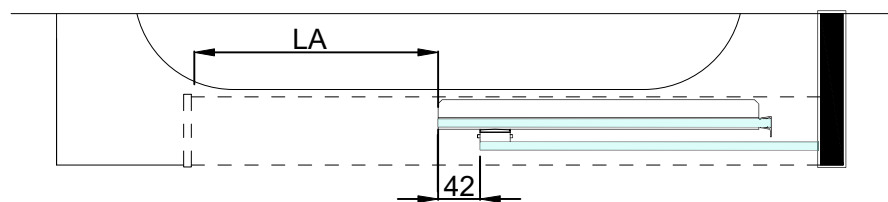
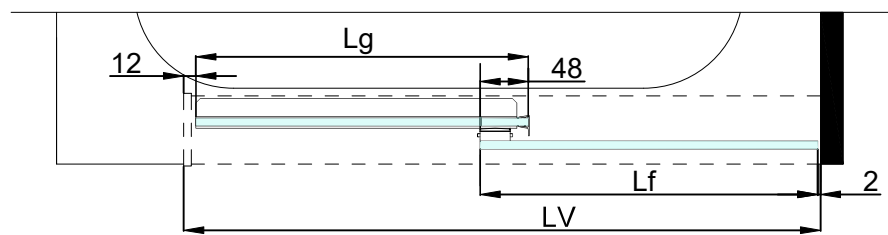
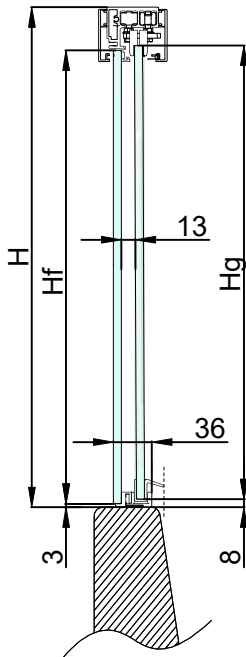


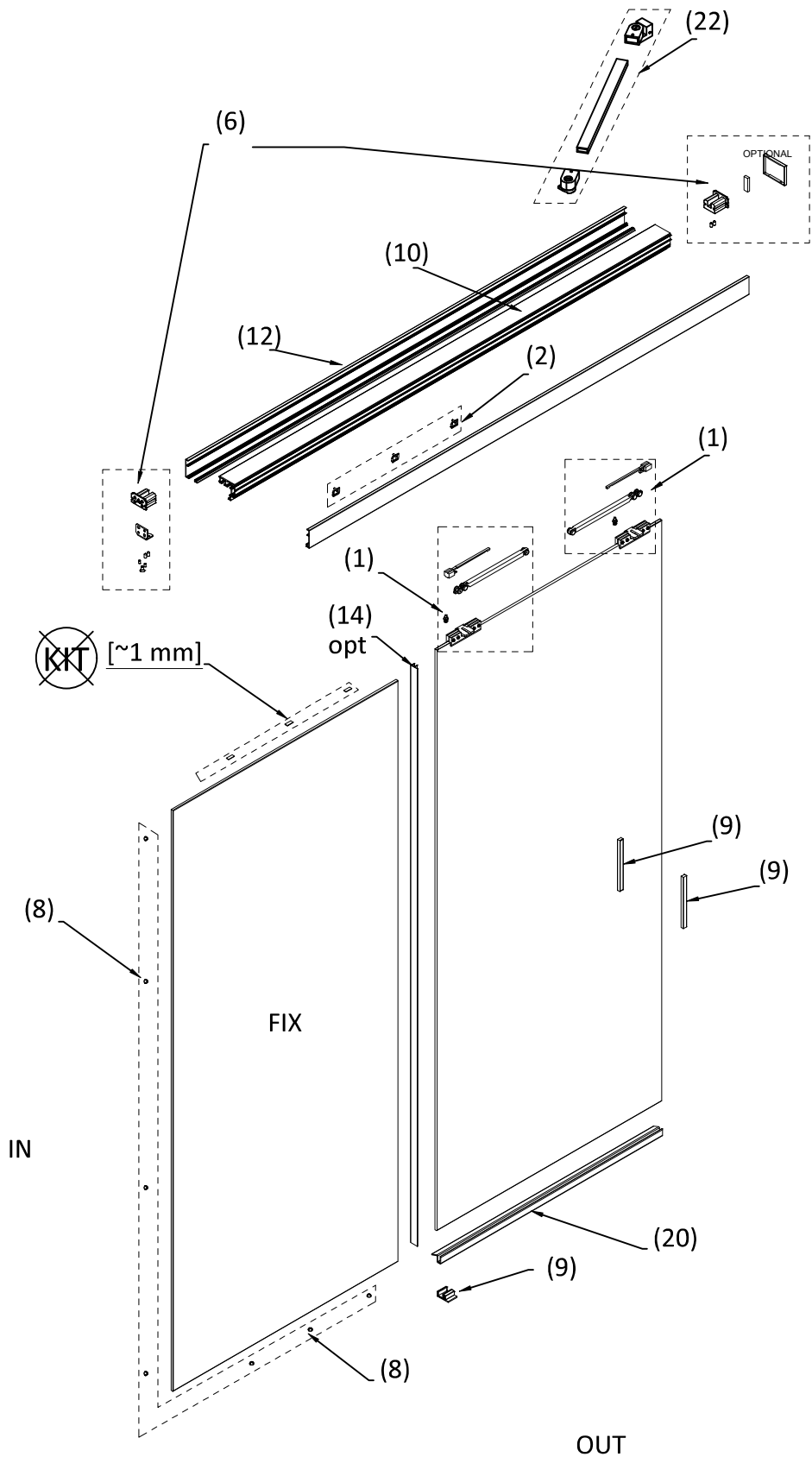
$$L_f = L_g$$

$$H_f = H_g$$

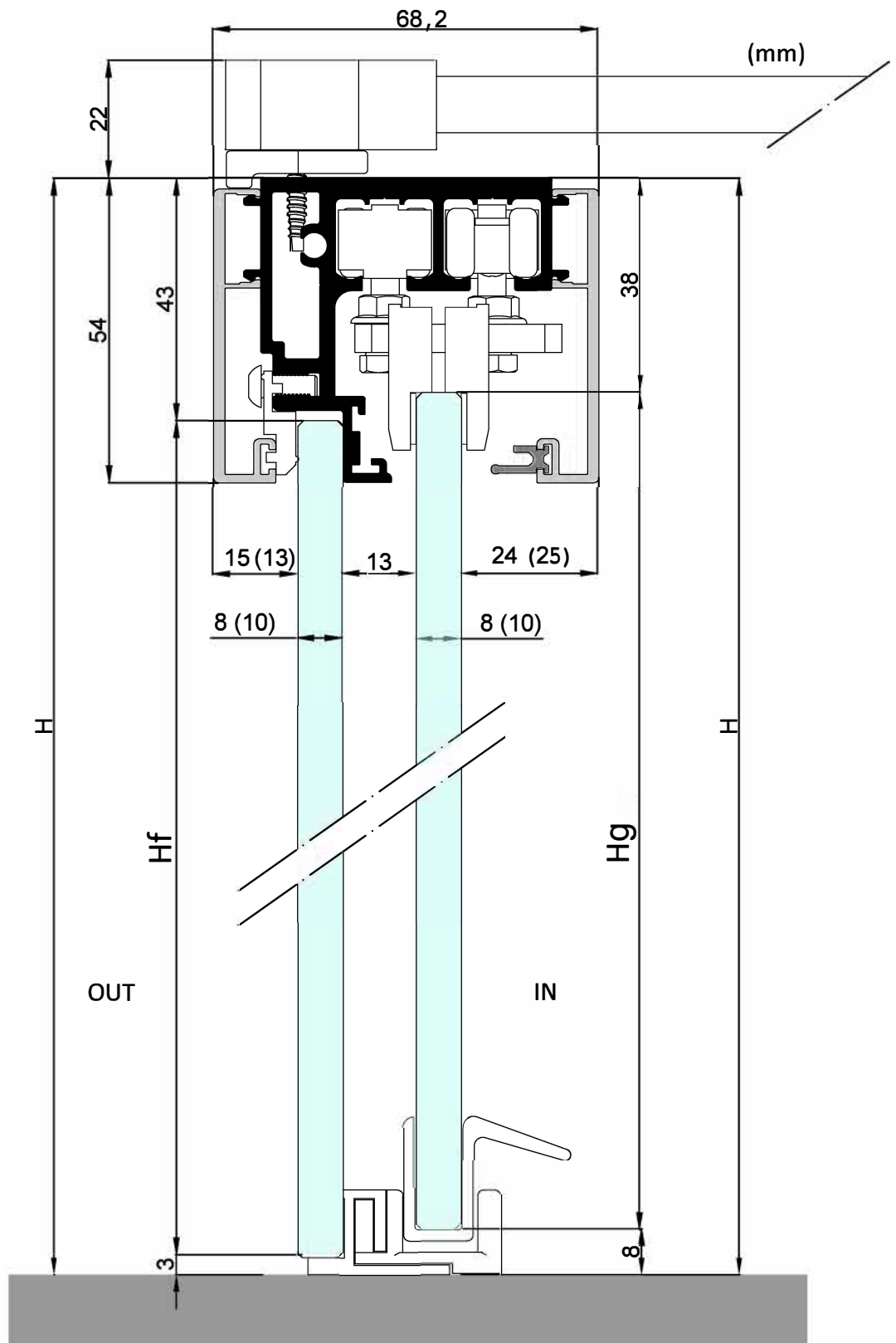
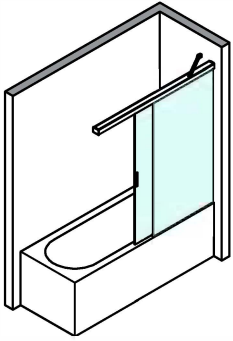


$$L_A = (LV - 122) / 2$$

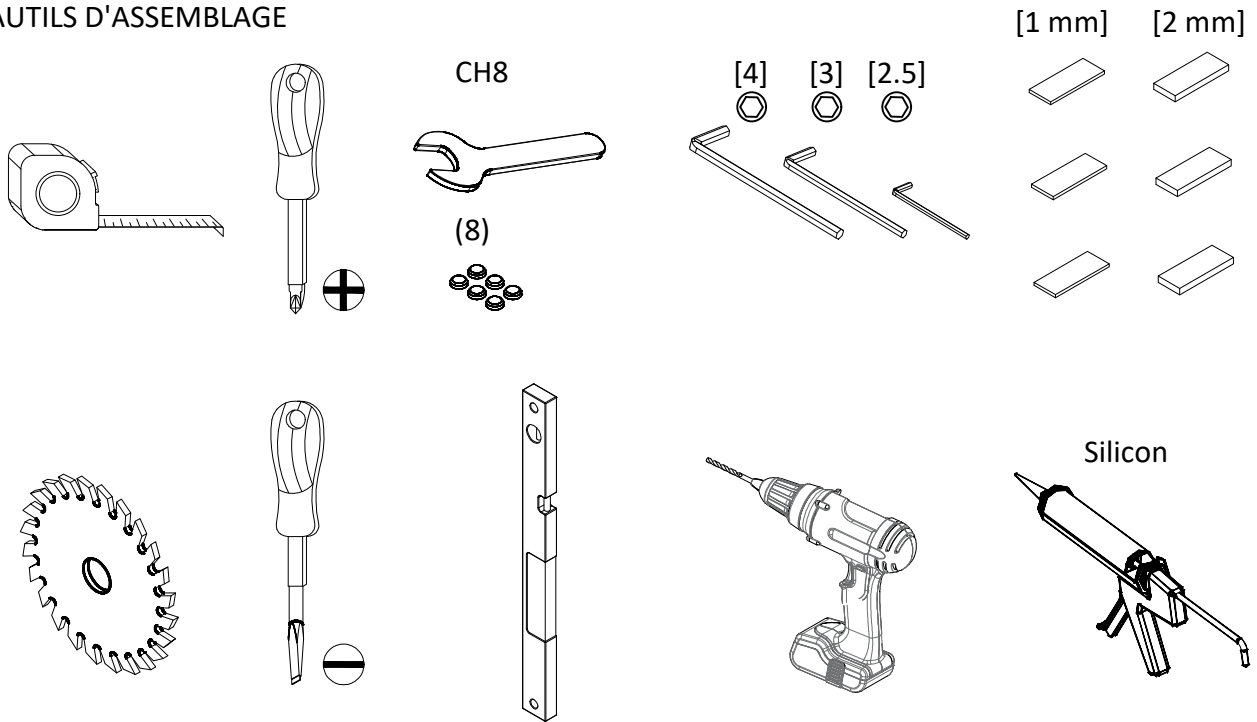




G50S50

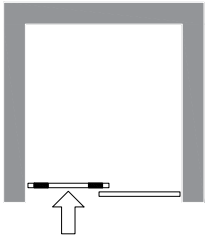


STRUMENTI PER IL MONTAGGIO
ASSEMBLY TOOLS
AUTILS D'ASSEMBLAGE

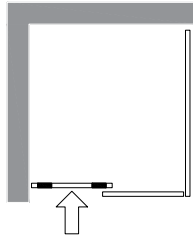


(10)	LV-16 mm	LV - 20mm	LV - 26mm	LV - 61mm	LV- 12mm
(12)	LV-2mm	LV-10mm (in) LV+2mm (out)	LV-18mm(in) LV+4mm (out)	LV-55mm (in) LV+6mm (out)	LV- 5mm

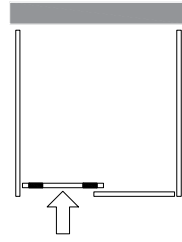
G50S10



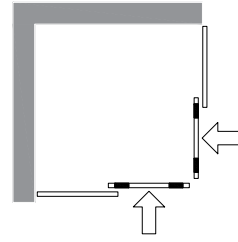
G50S20



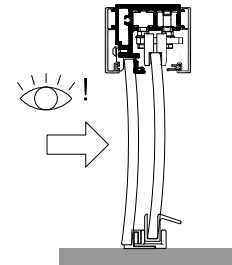
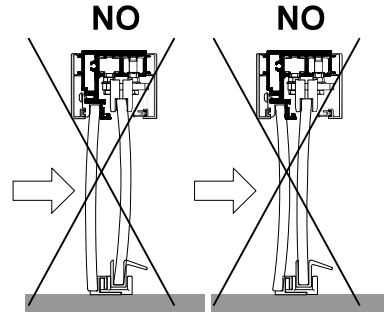
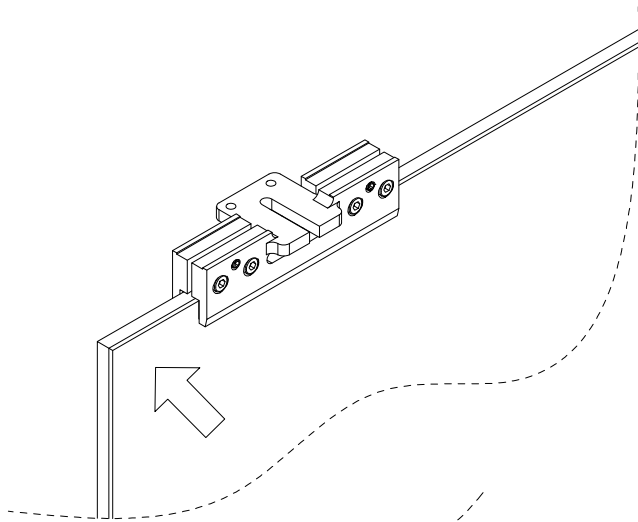
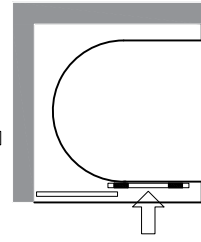
G50S30



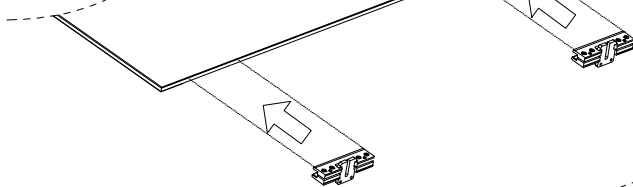
G50S40



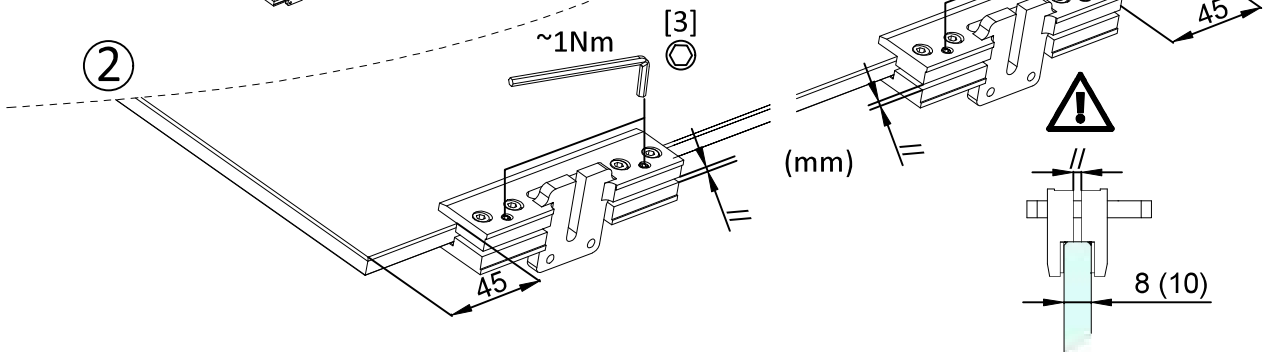
G50S50



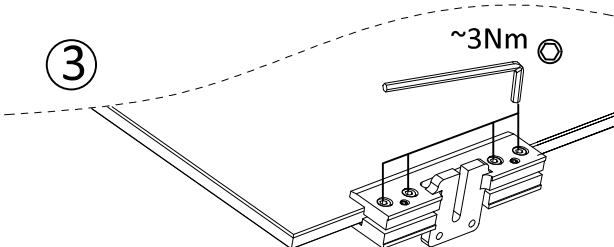
①



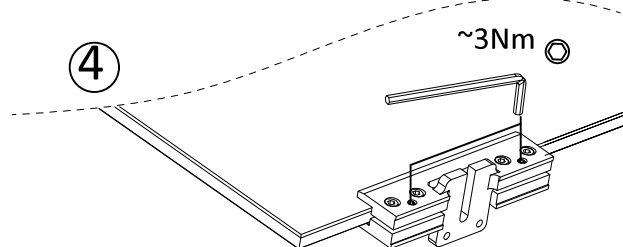
②

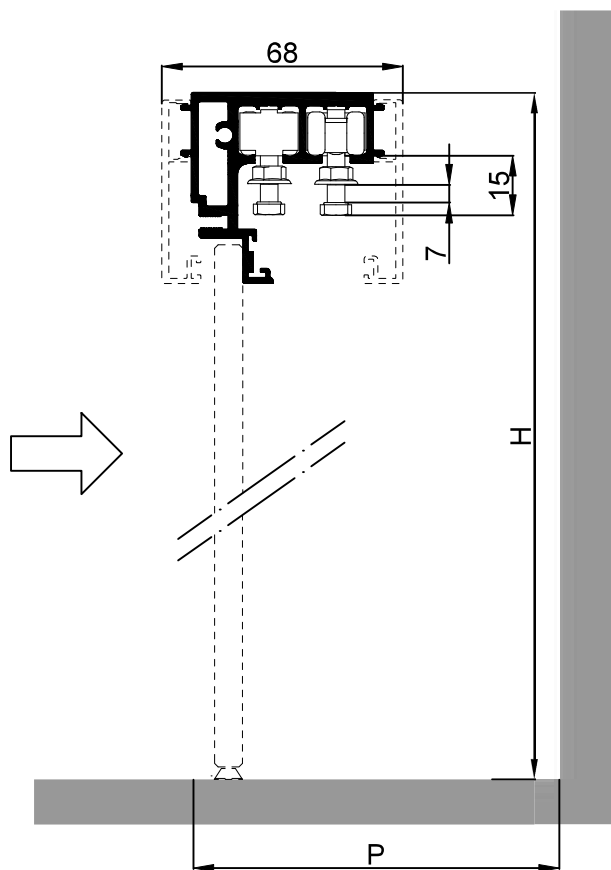
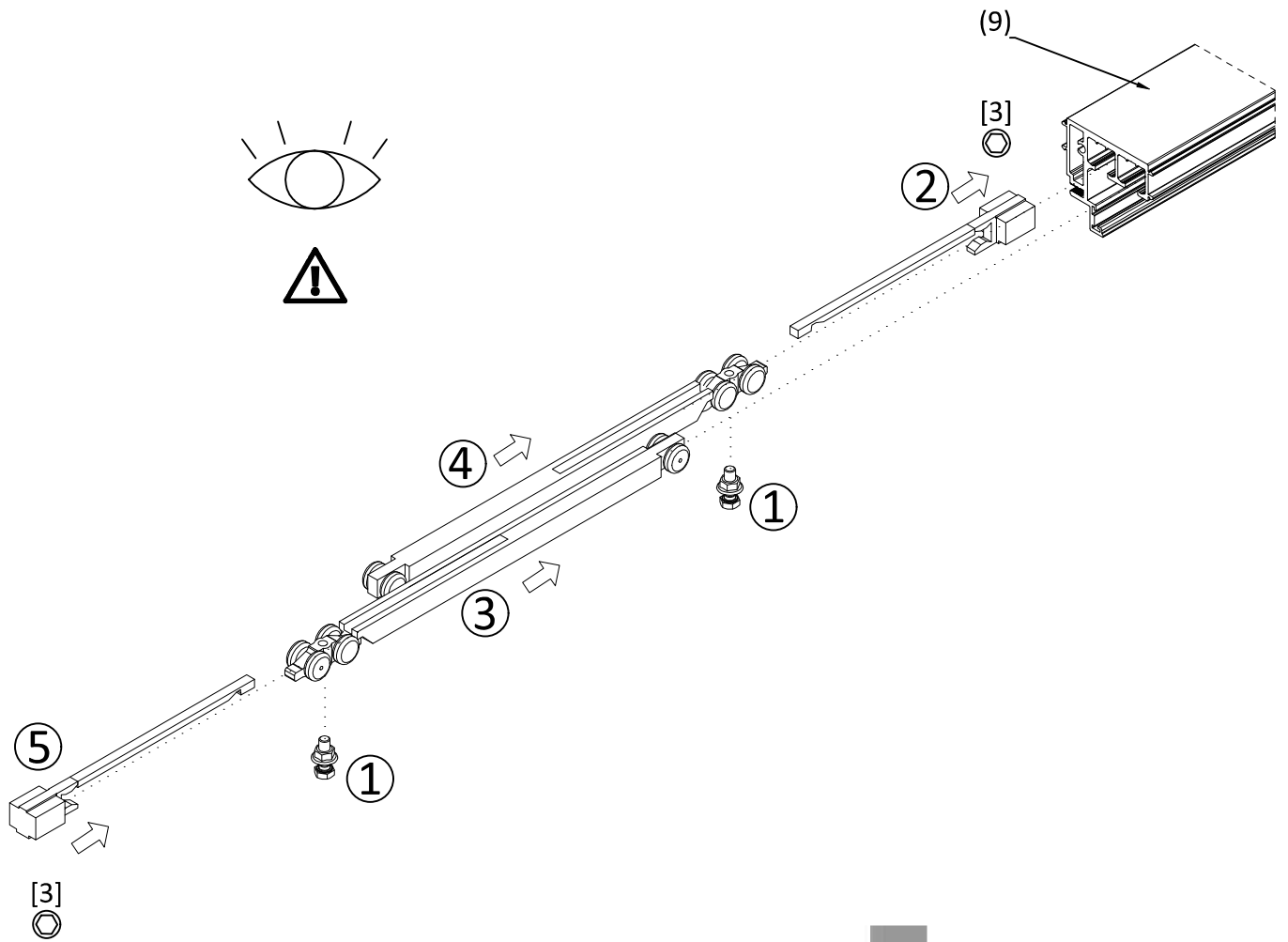


③

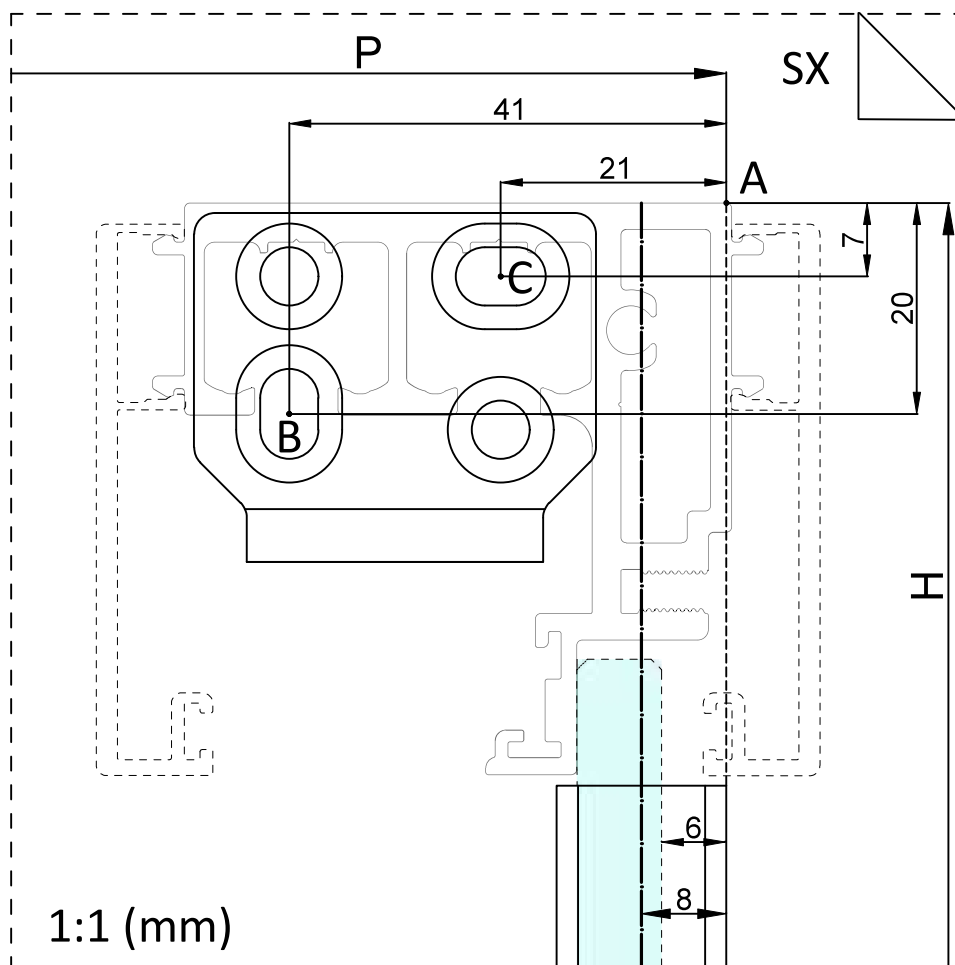
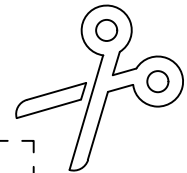
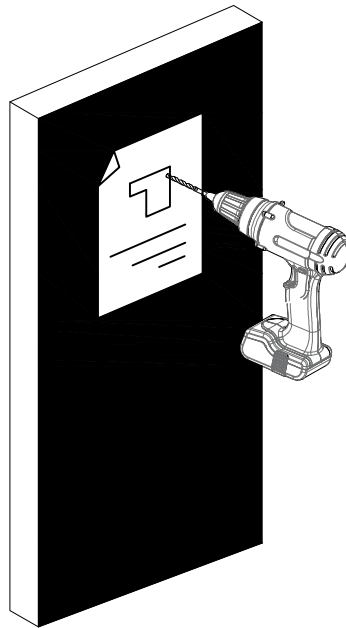


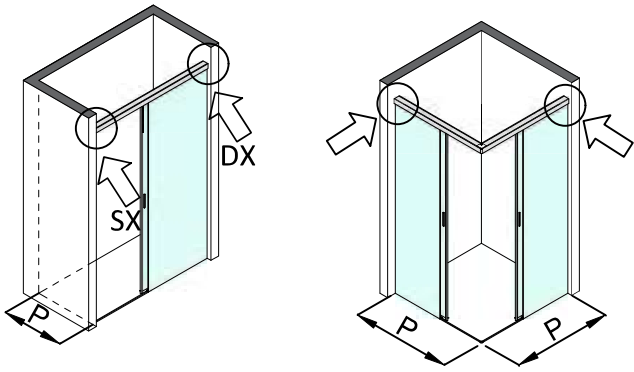
④





(mm)



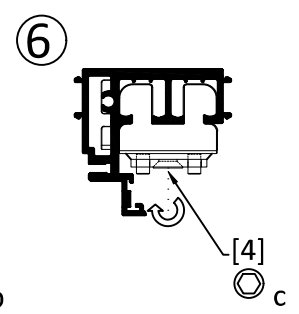
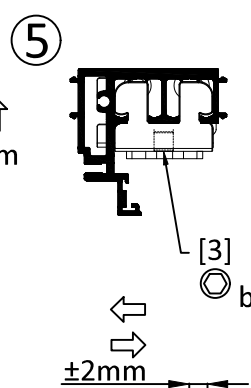
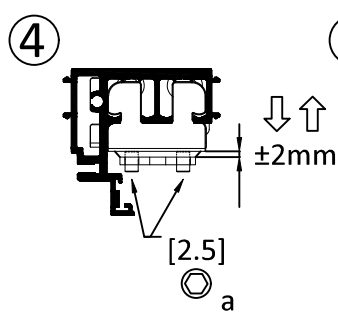
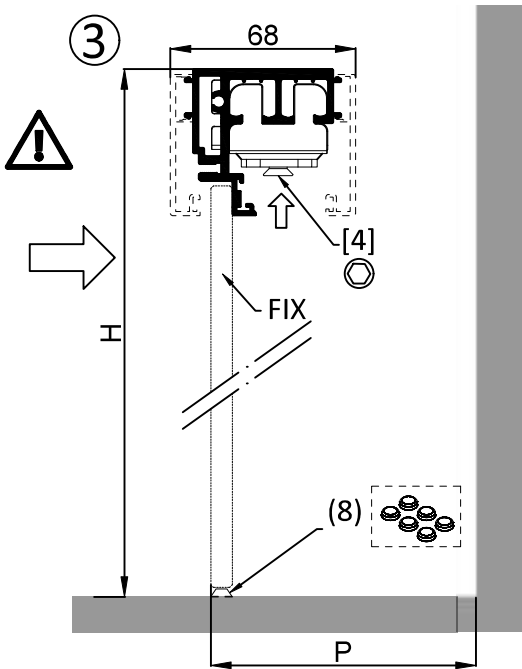
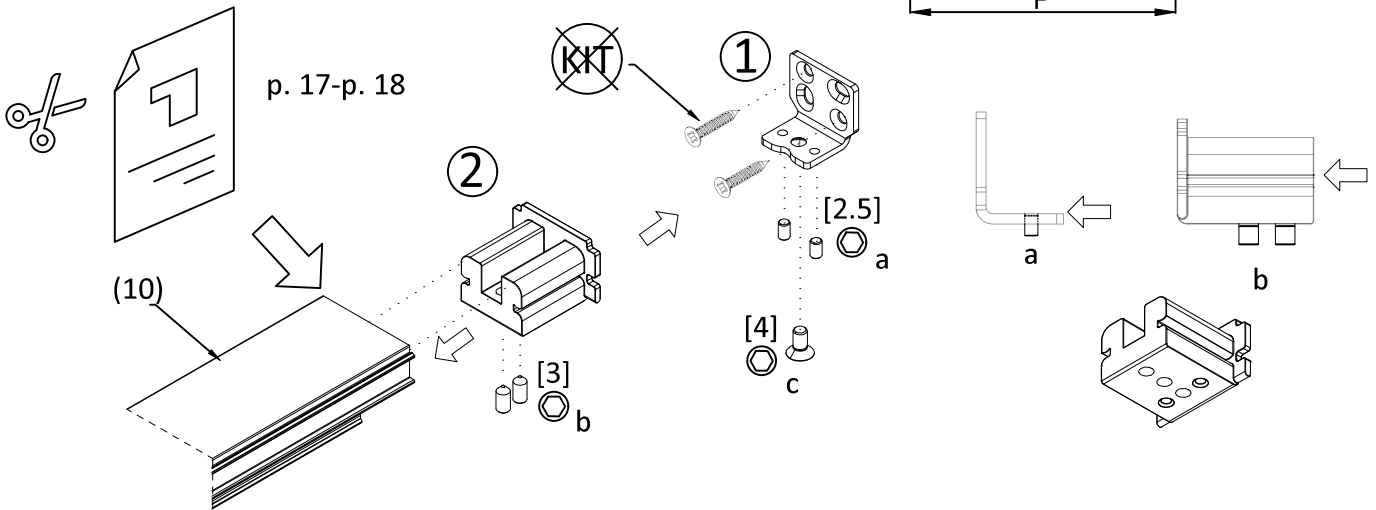
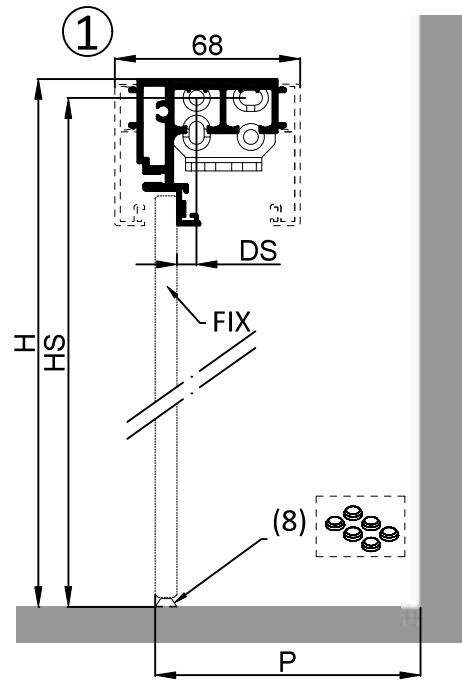
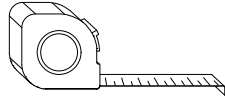


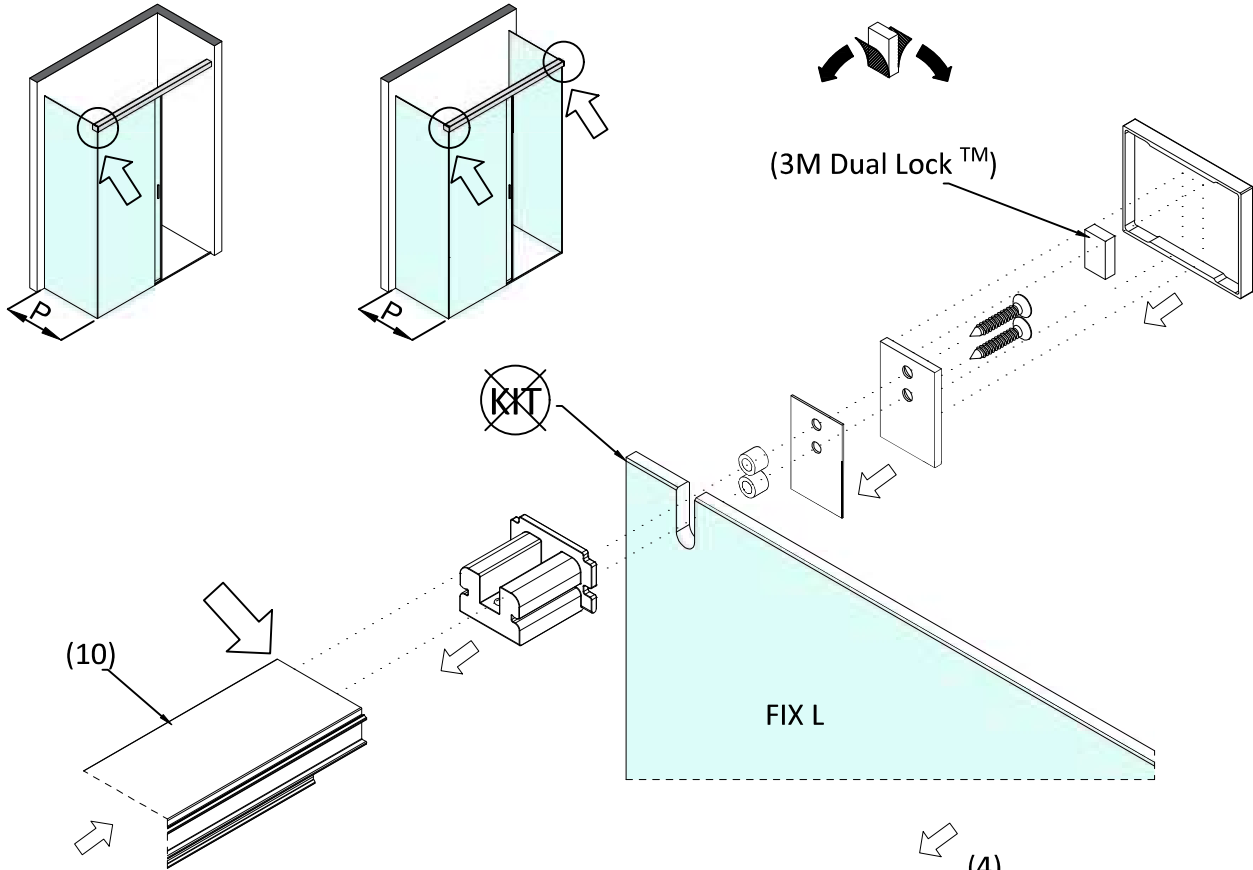
$L7 = H - 74$

$HS = H - 7$

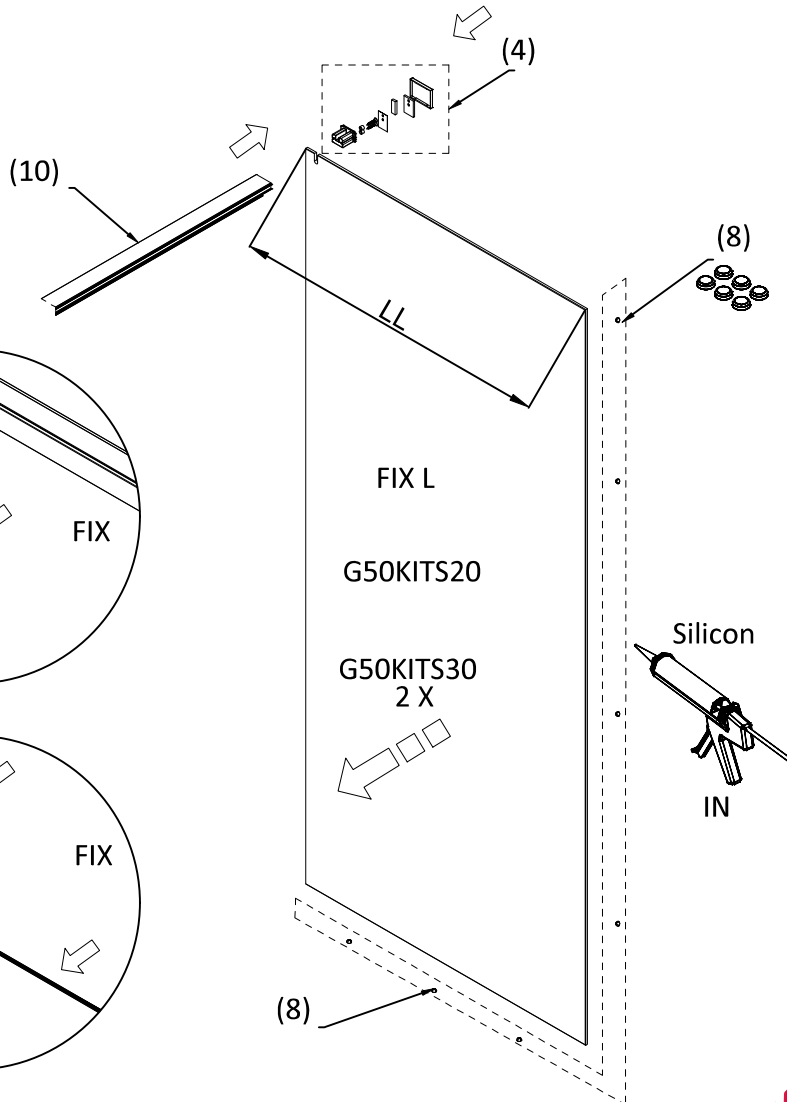
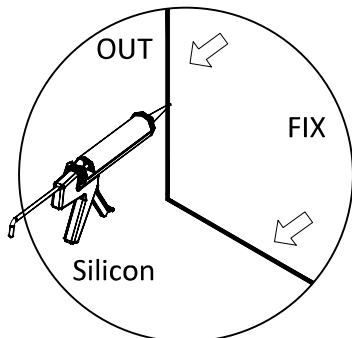
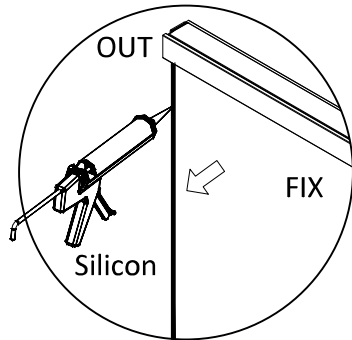
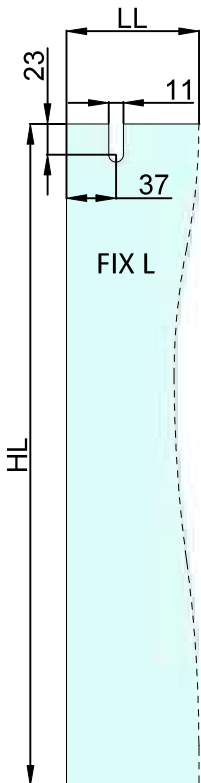
$DS = \sim 7$

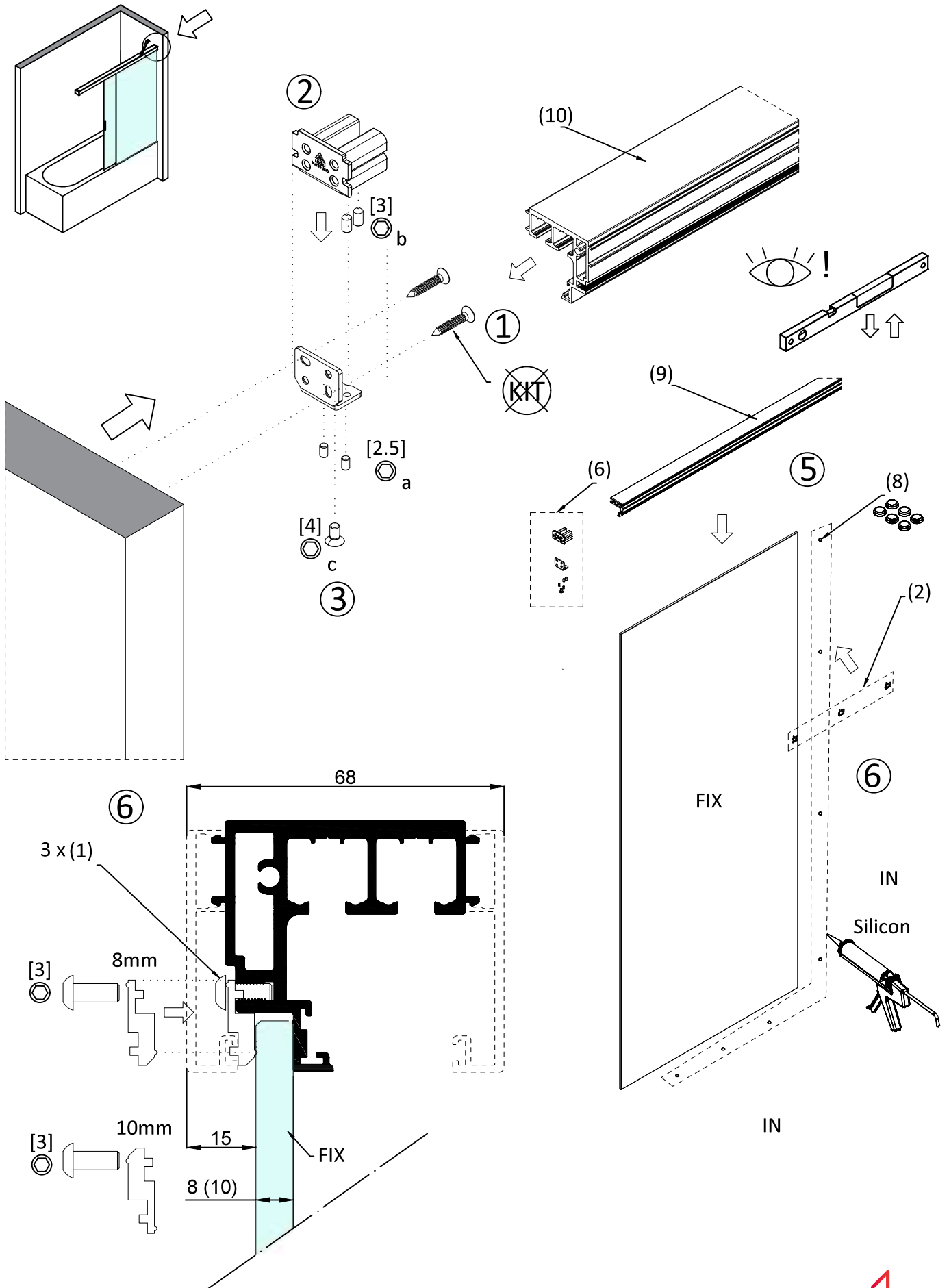
(mm)

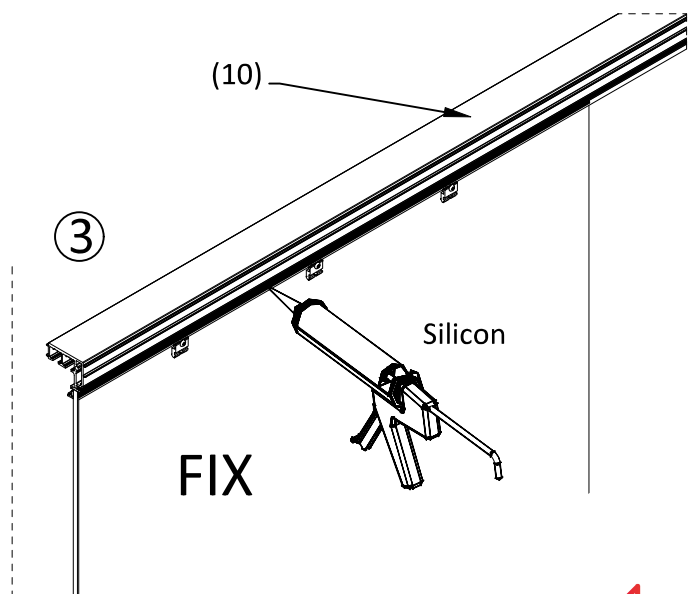
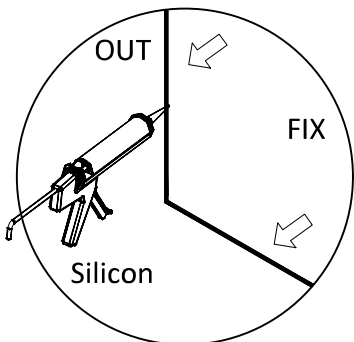
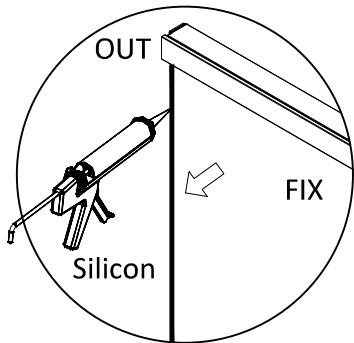
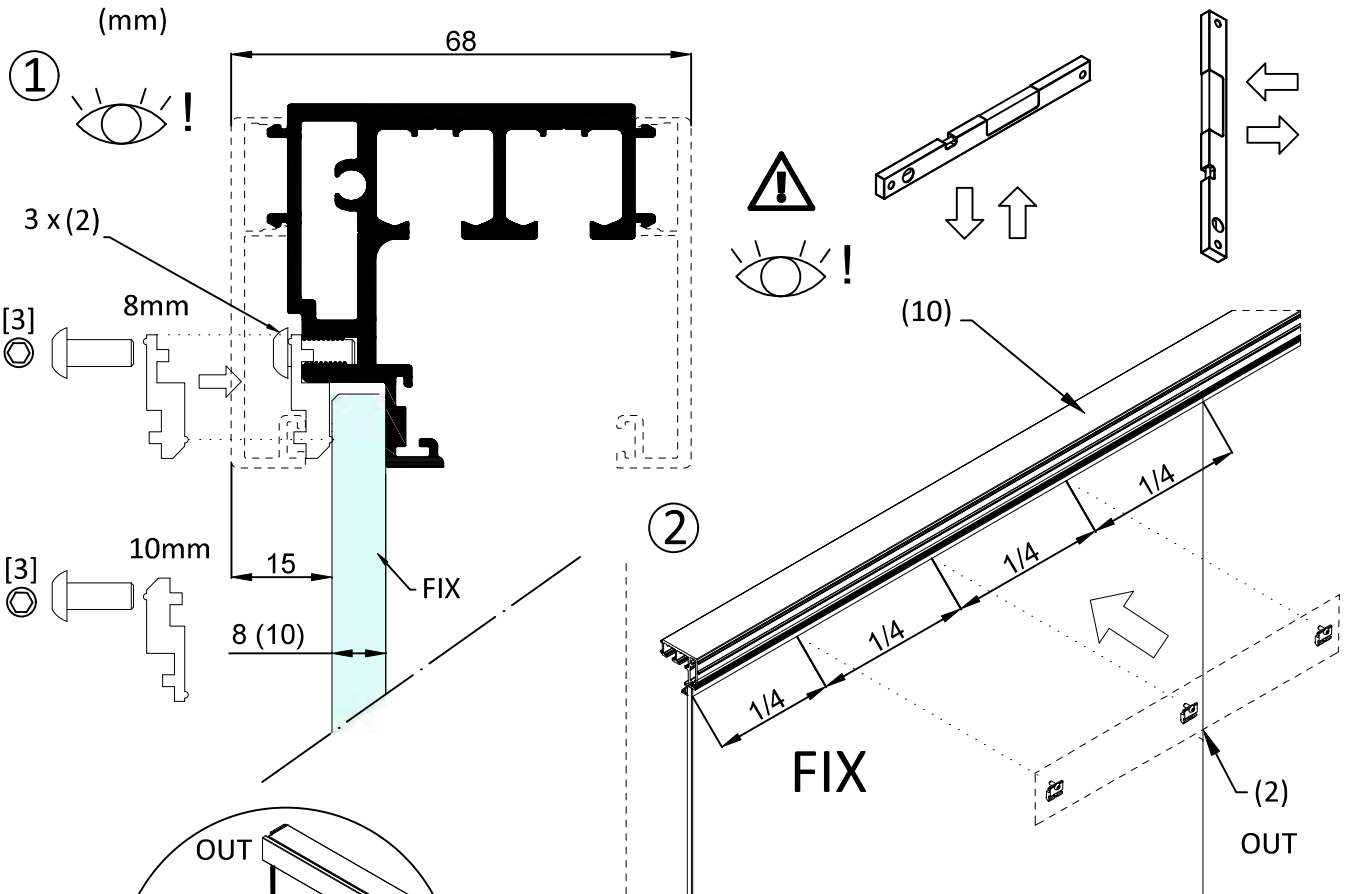
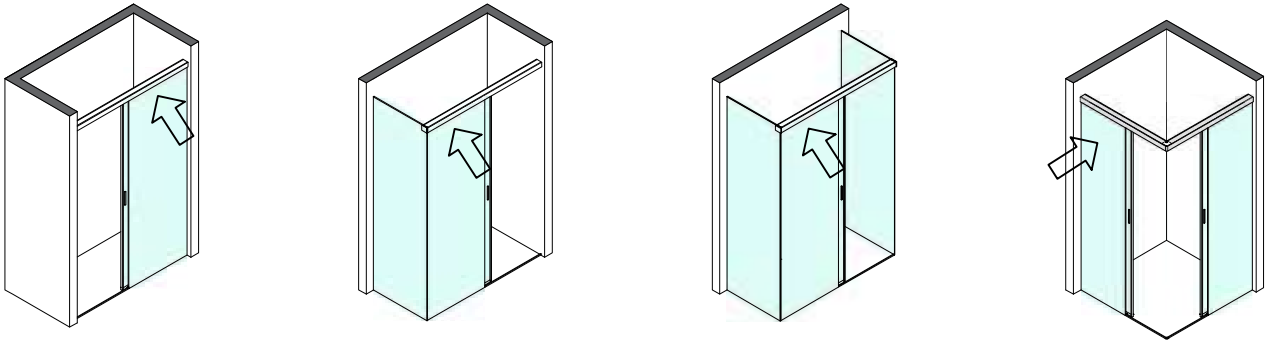


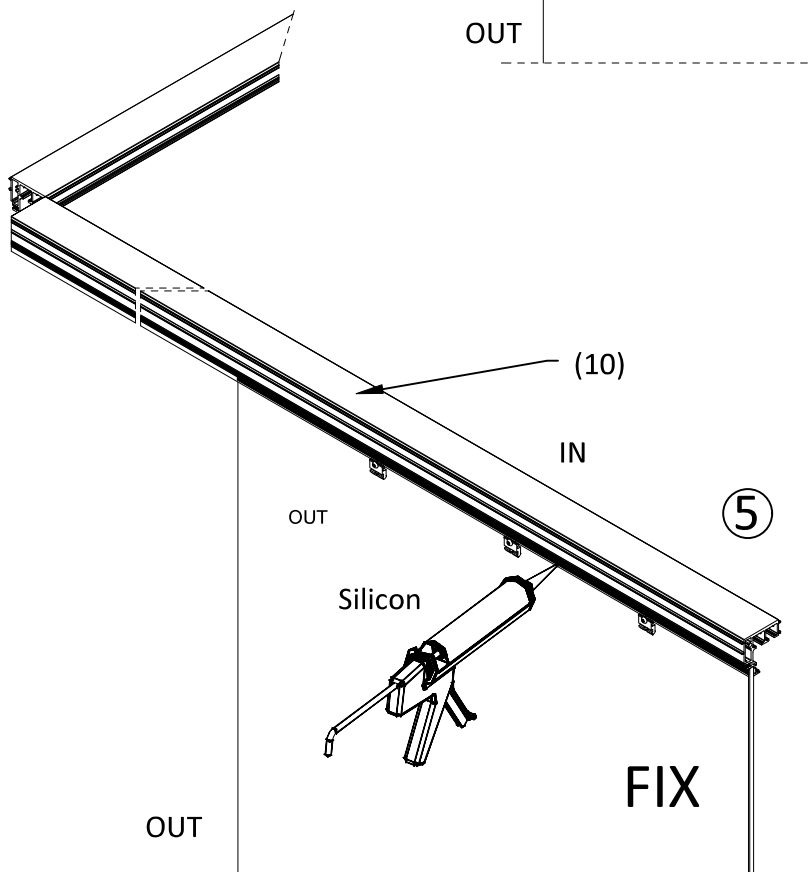
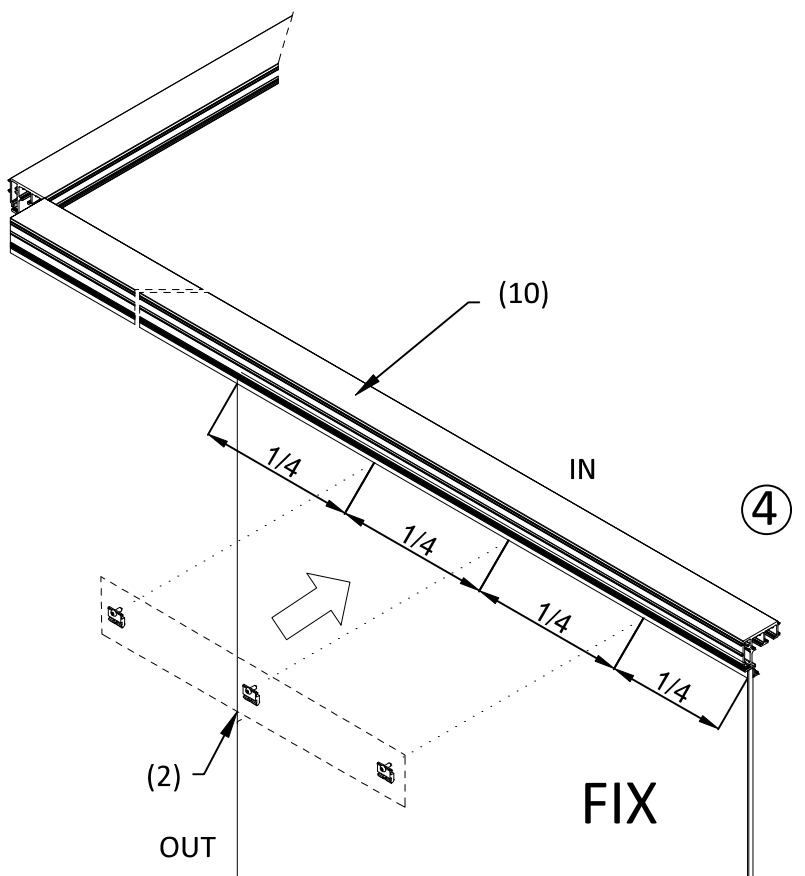
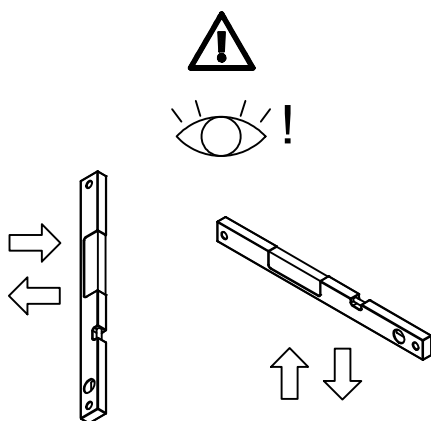
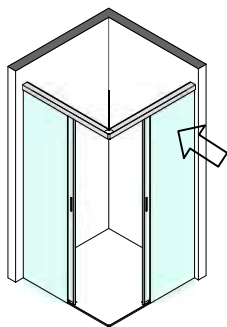


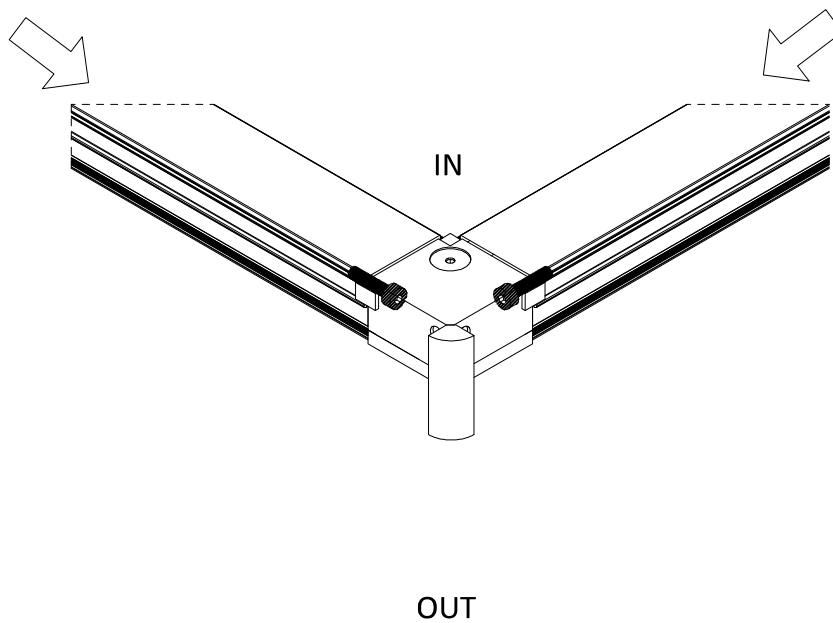
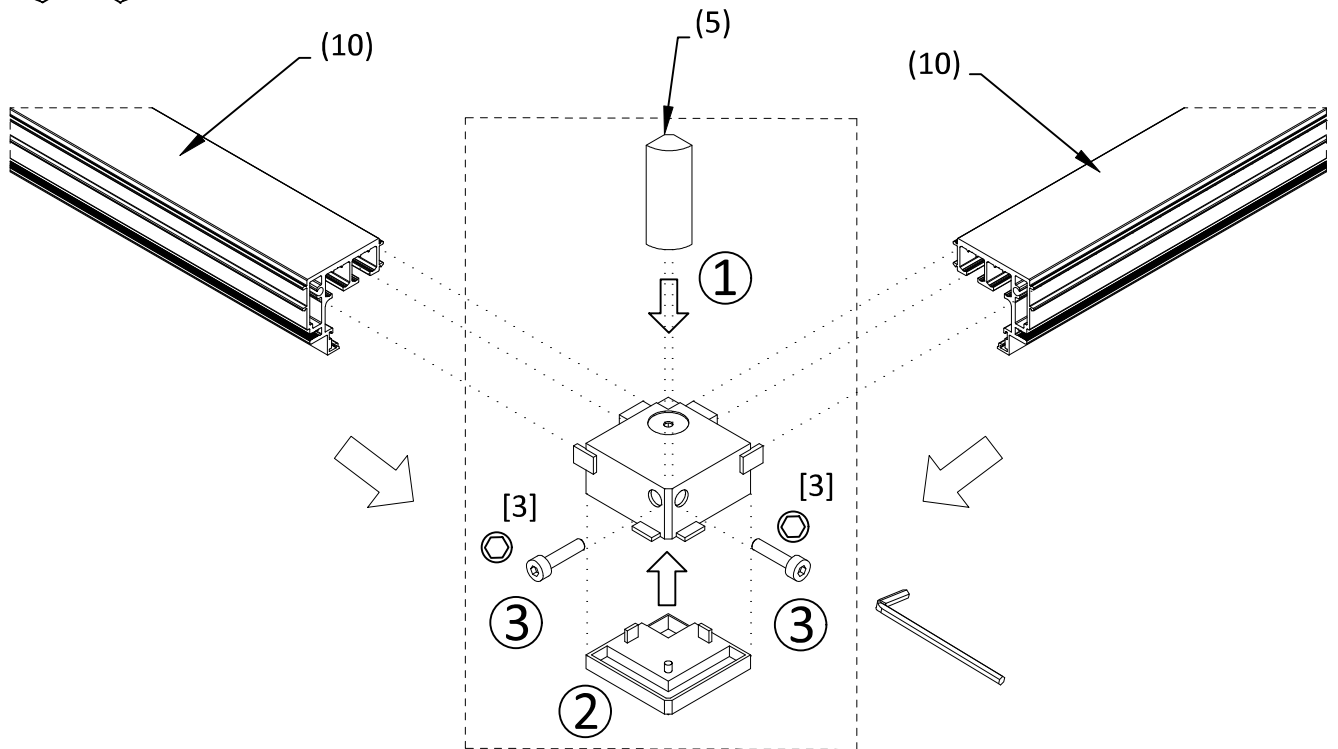
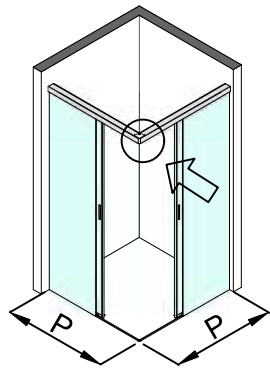
G50KITU20
G50KITU30

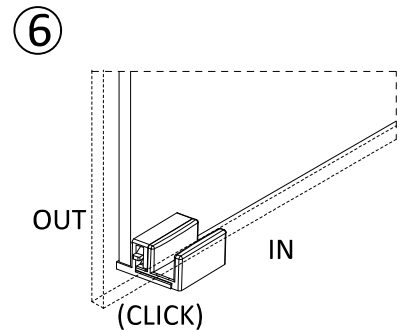
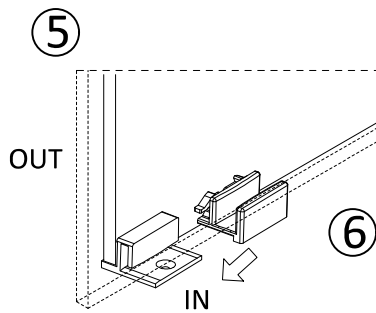
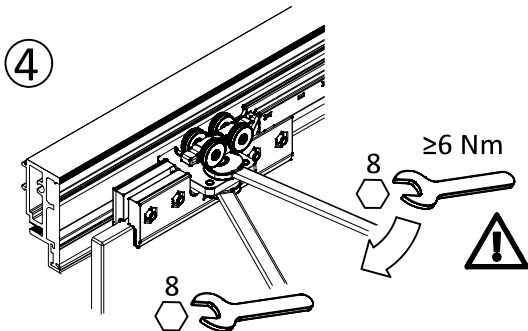
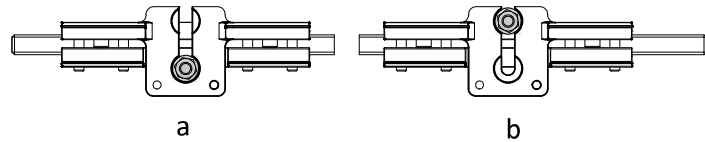
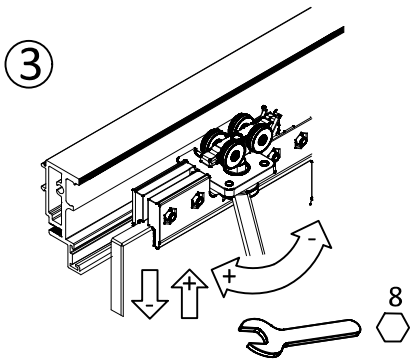
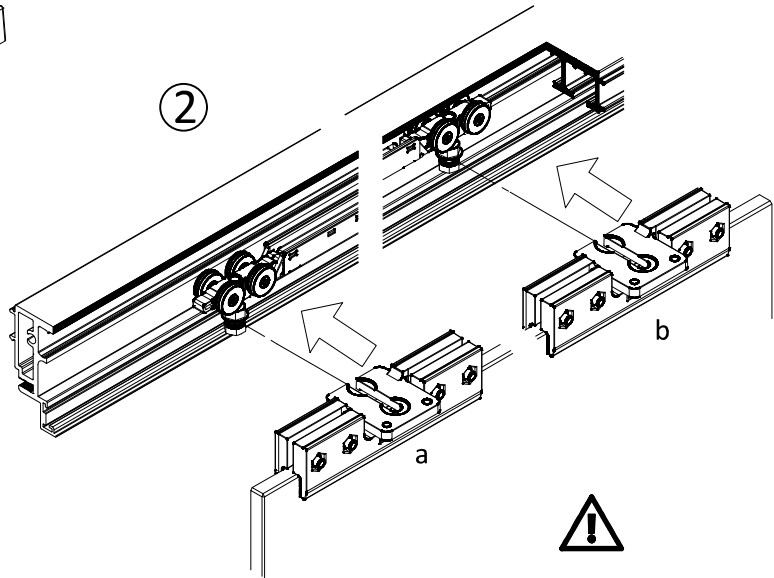
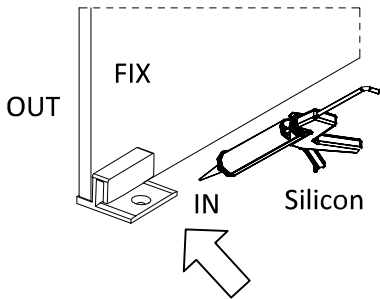
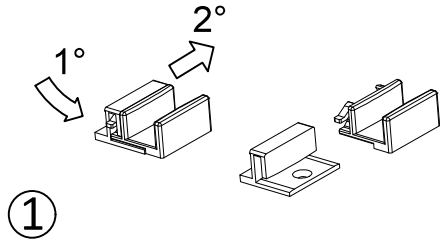
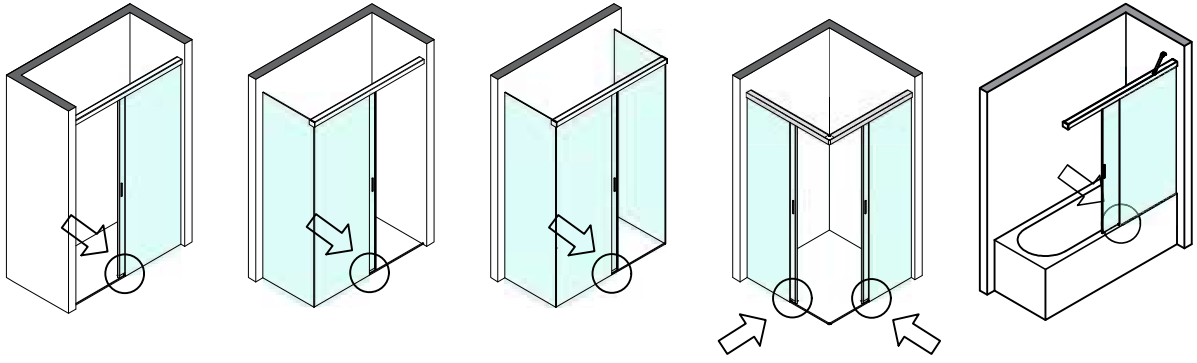


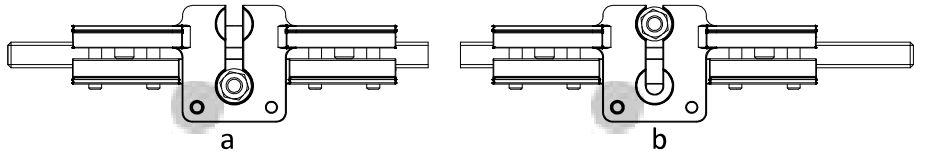
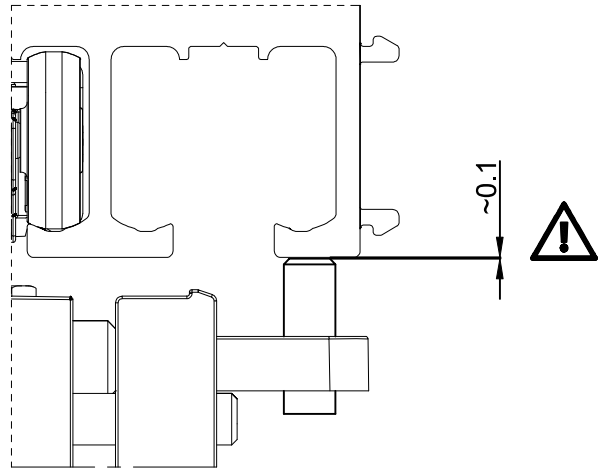
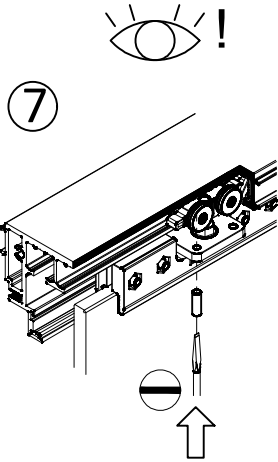




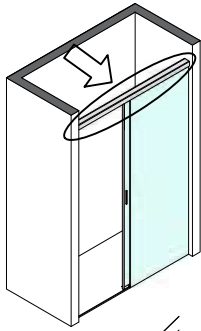




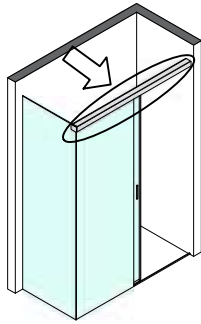




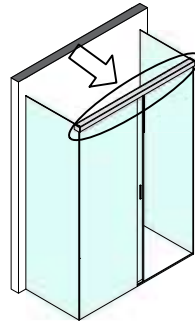
G50S10



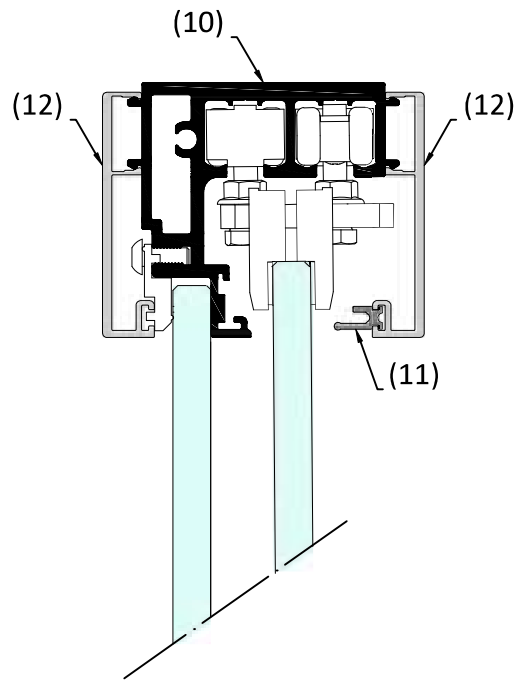
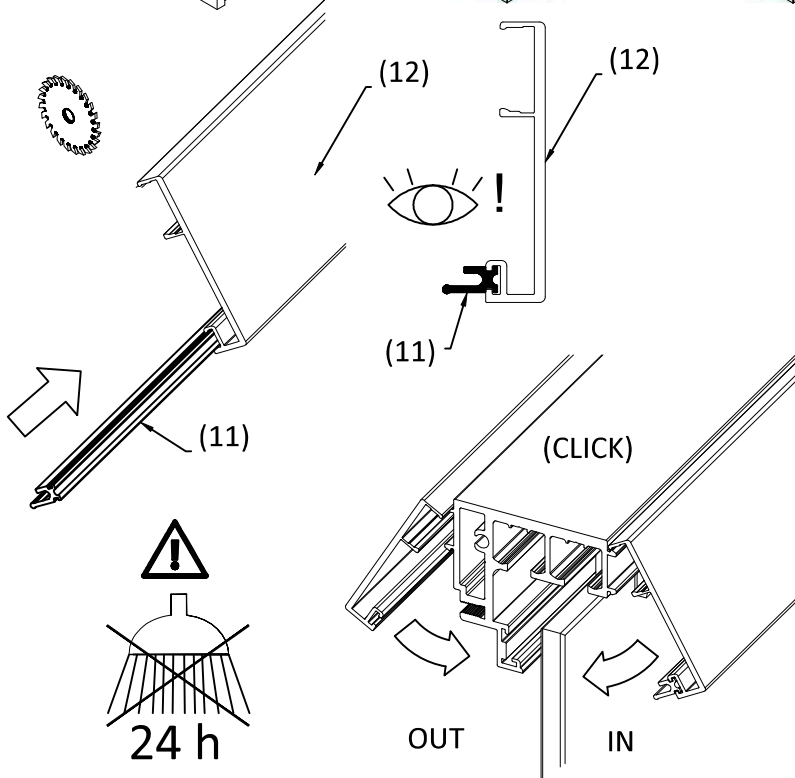
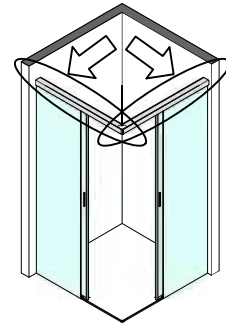
G50S20



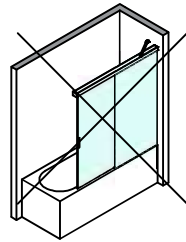
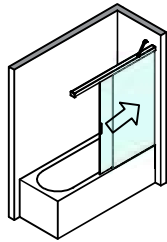
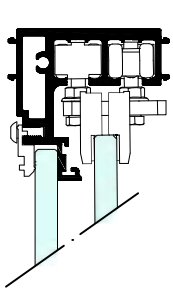
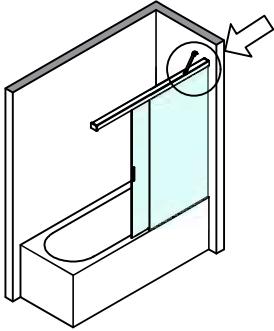
G50S30



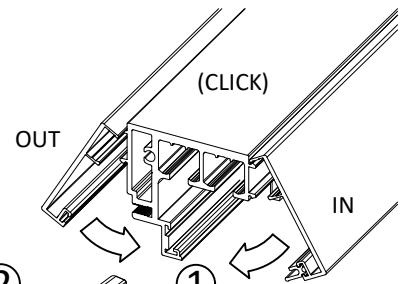
G50S40



G50S50



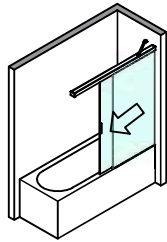
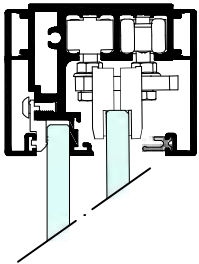
NO



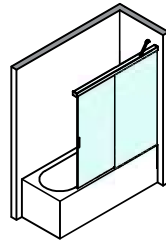
2

1

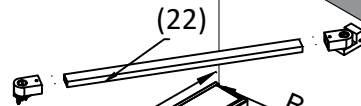
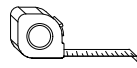
(3M Dual Lock™)



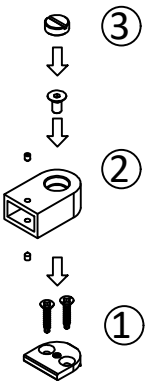
OK



OK



A !



OUT

IN

DQGKT01

[1.5]



Saint-Gobain Logli S.r.l.

Via Chemnitz, 49/51
59100 Prato - Italia
www.sg-logli.it

