



*FOCUS* ON PRODUCTS AND SOLUTIONS

NEW  
**DQSG**

The evolution of shower hinges

# DQSG **NEW**

## *Design*

The new **DQSG** selection marks a evolution in the SQUARE series: a more modern, essential and elegant design, perfectly harmonised with the rest of the accessories in the range.

A hinge that enhances the aesthetics of the shower environment without compromise, ensuring stylistic continuity and maximum design freedom thanks to new-generation technical solutions.

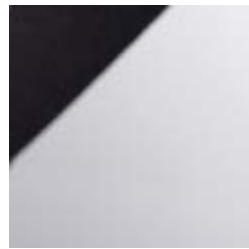
Designed to enhance the quality of every hinged door, the series is available in **two versions**, calibrated according to the weight of the door:

- Up to **40 kg** (6-8 mm)
- Up to **56 kg** (8-12 mm)

**Three configurations are available for each variant:**

- Wall-mounting with **adjustable snap**
- Wall-mounting with **PIVOT lifting system**
- **Glass-to-glass 180°** with adjustable snap





**/1**  
Chrome



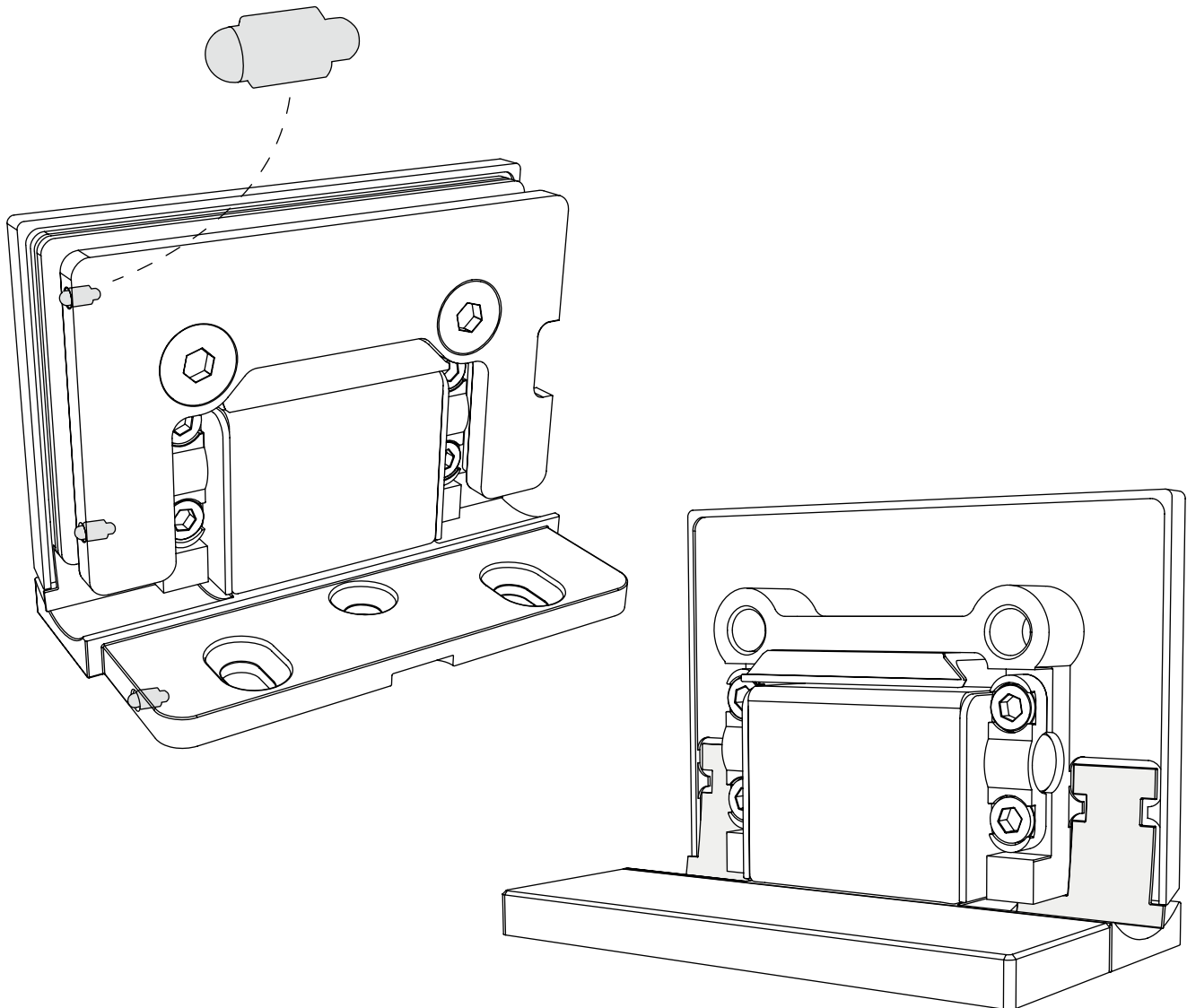
**/24**  
Brushed steel effect



**/73**  
Polished black nickel



**/R2**  
RAL9005 matt black



### *The evolution of the SQUARE series*

- **Even more minimalist and uniform design**, thanks to the flat surface and the absence of visible screws
  - **Improved water tightness** with cover-seal also near to the pin
- **Easier installation** and quicker adjustments ( $\pm 10^\circ$  and pivot system with lift)
  - **New polished black nickel finish** to increase aesthetic possibilities, also available on a selection of accessories (knobs, stabilizer bars, clamps)
- **Even smaller spaces and distances** for a more elegant and contemporary visual impact

# DQSG

## *Main advantages*

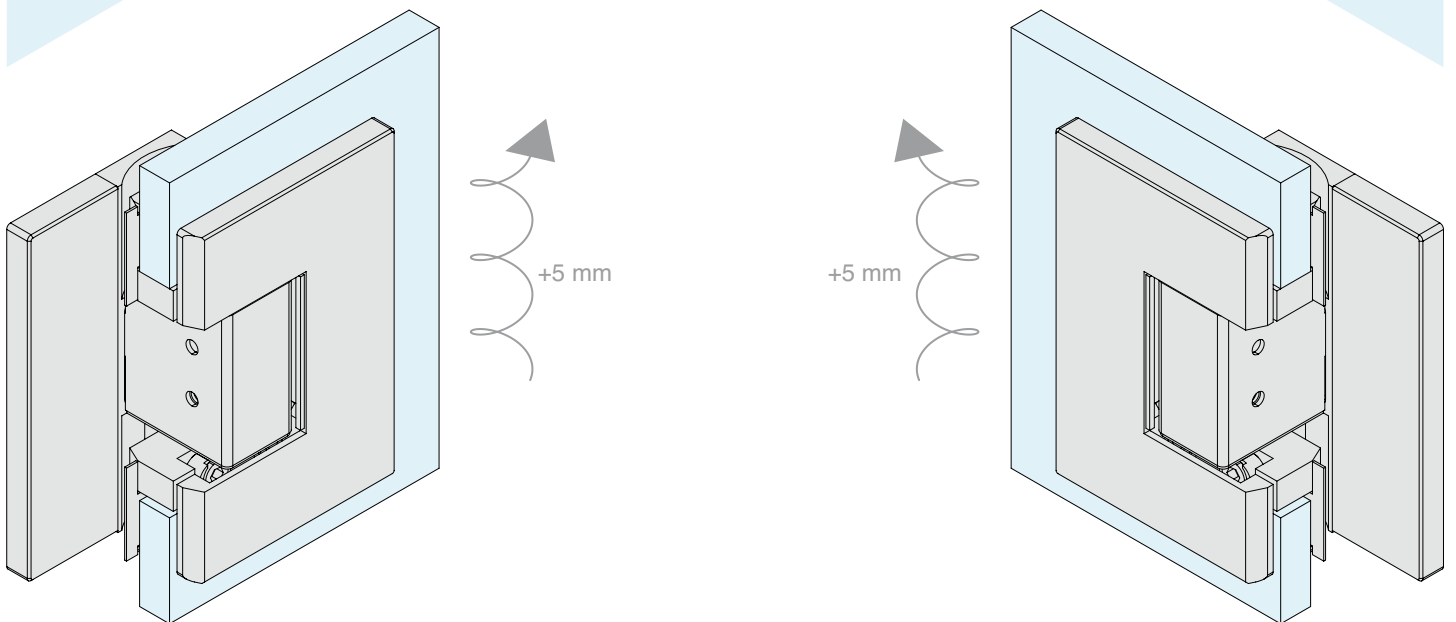
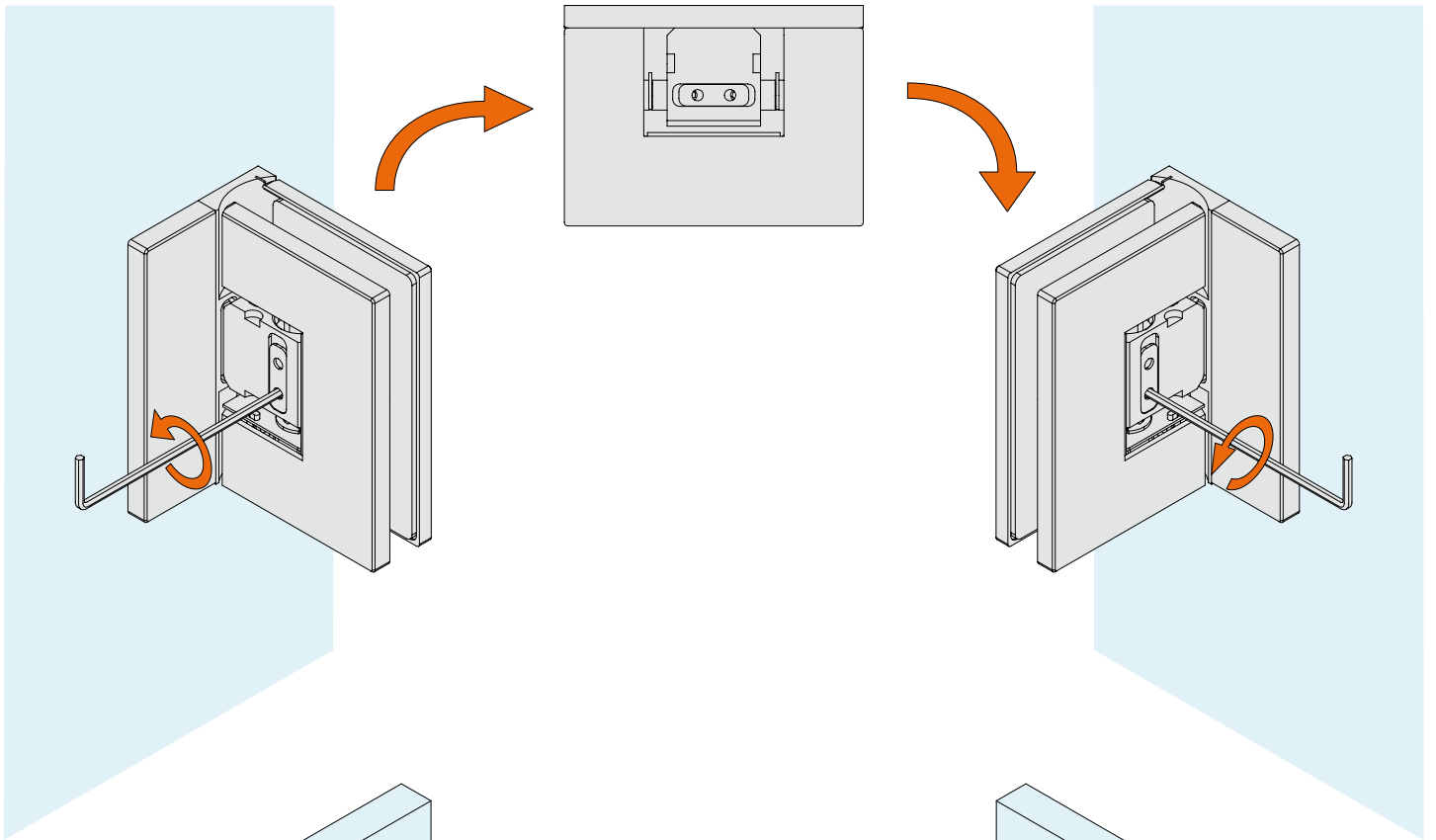
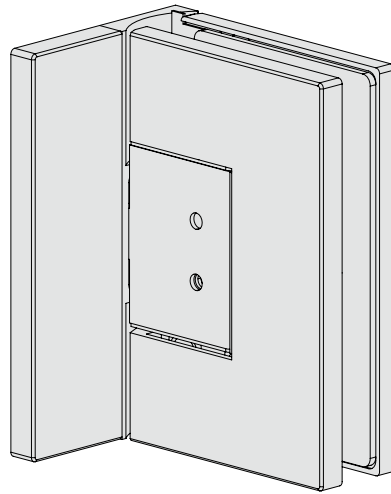
- **Perfect flat external surface** with square pin > cleaner and top of the line aesthetics
- **Reduced distances** from the wall and **smaller spaces** > more elegance and visual harmony
- **Cover-seal** for a **better watertightness** near the pin
- **Snap-on cover** with no visible screws or grub screws > maximum design
- **Closing adjustment  $\pm 10^\circ$**
- **Stainless steel** mechanics and **brass** body for strength and reliability
- New exclusive and contemporary **polished black nickel finish**



# DQSG

*Pivot versions*

With innovative lifting system  
on opening (+5 mm),  
reversible right/left

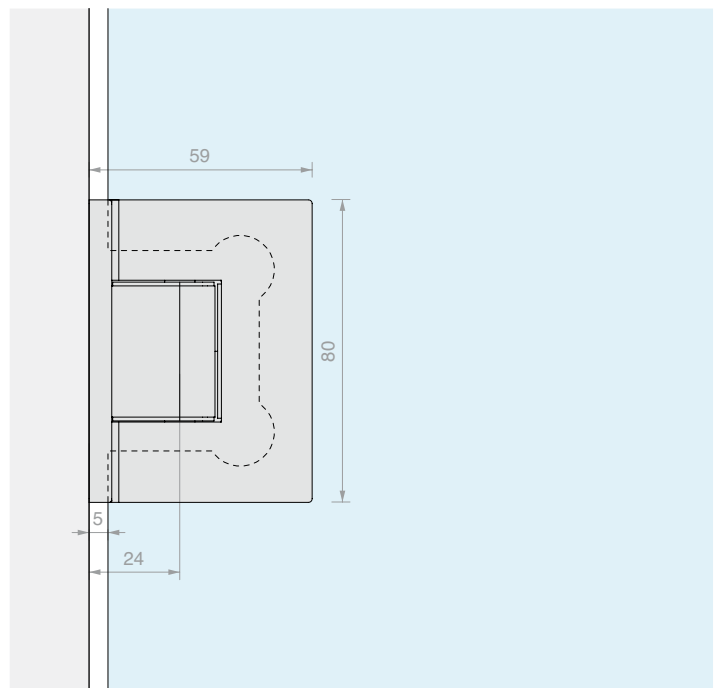
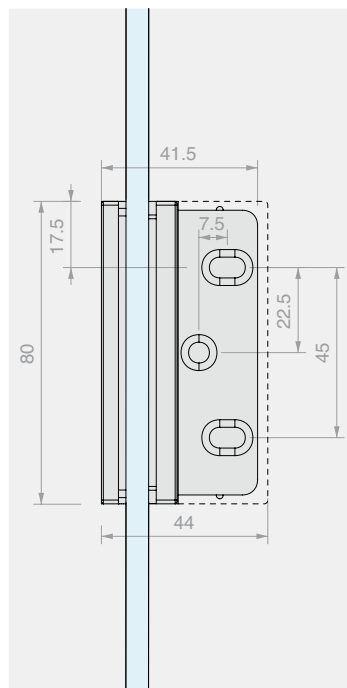
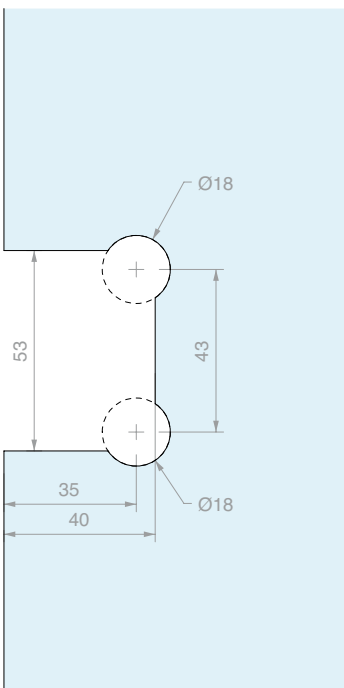
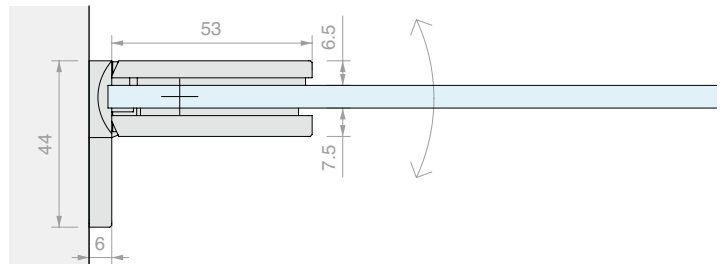
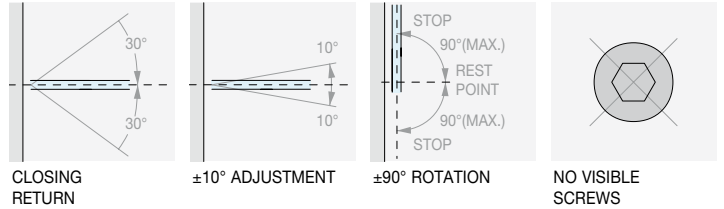
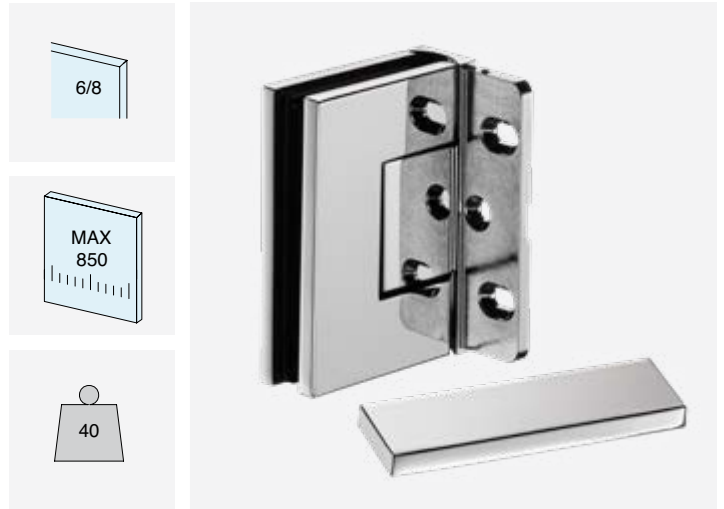




**WALL/GLASS ADJUSTABLE SIDE HINGE**

Material: Brass

Finish: /1 /24 /73 /R2



Art. **DQ30SGCOV**

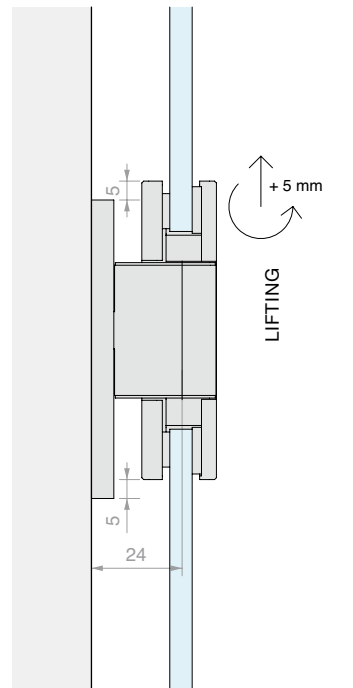
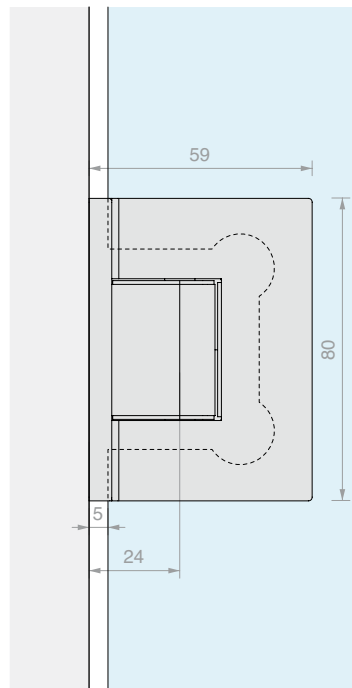
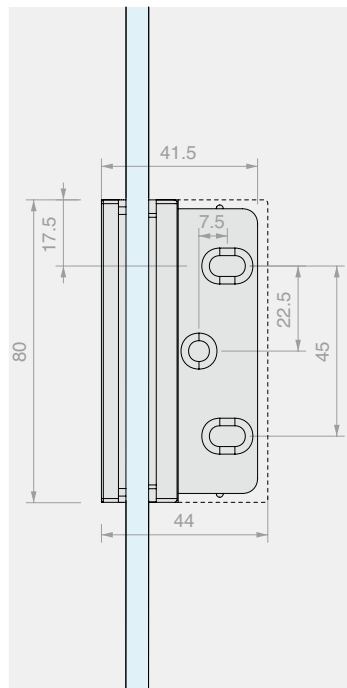
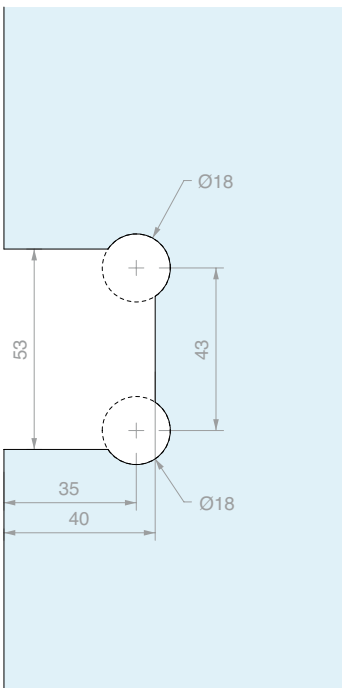
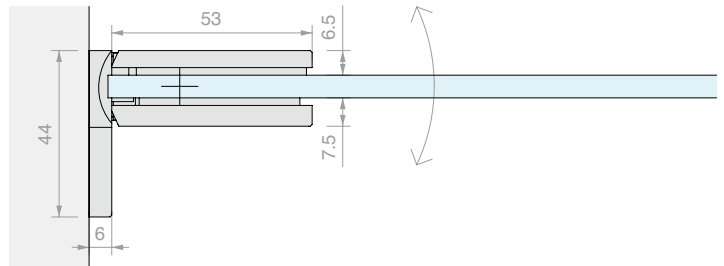
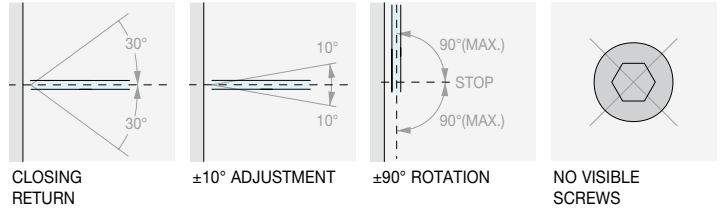
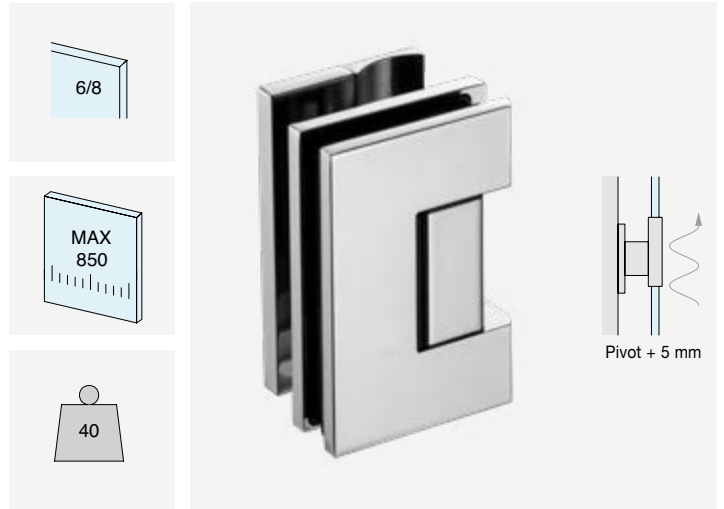
For glass  
From 6 to 8 mm

Qty  
1 Pc



**WALL/GLASS ADJUSTABLE SIDE PIVOT HINGE**

Material: Brass  
 Finish: /1 /24 /73 /R2



Art. **DQ30SGPVT**

For glass  
 From 6 to 8 mm

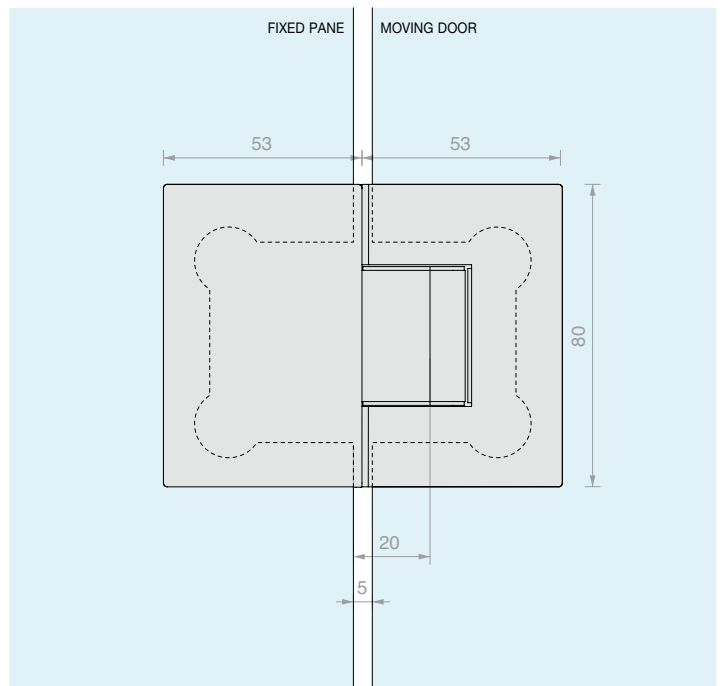
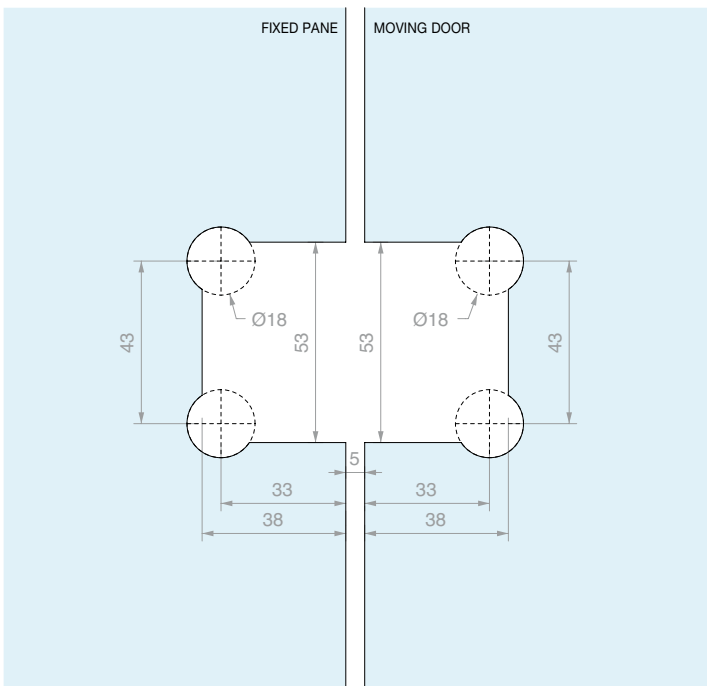
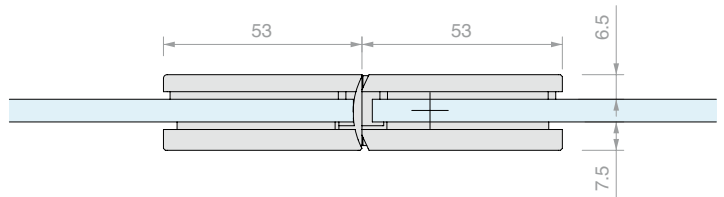
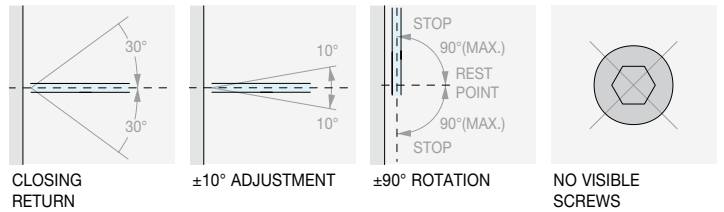
Qty  
 1 Pc



**GLASS/GLASS ADJUSTABLE IN-LINE HINGE**

Material: Brass

Finish: /1 /24 /73 /R2



Art. **DQ380SG**

For glass  
From 6 to 8 mm

Qty  
1 Pc





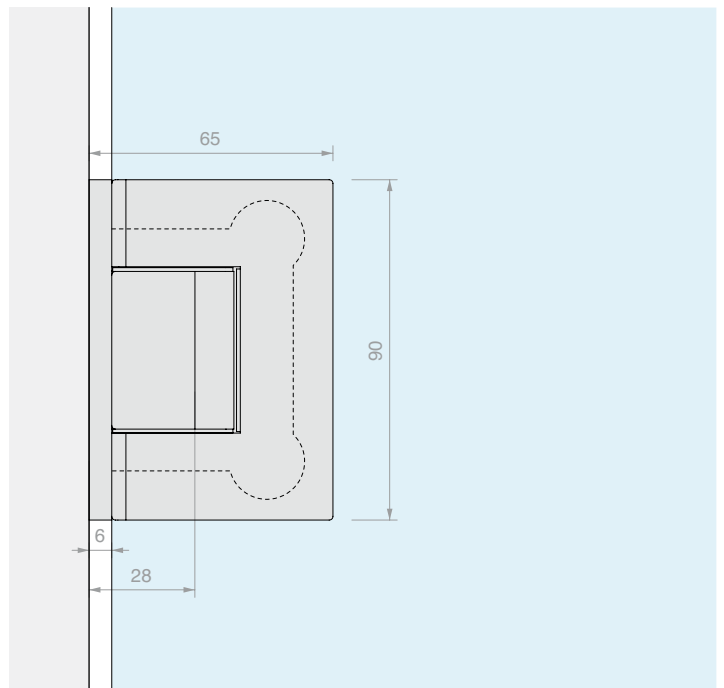
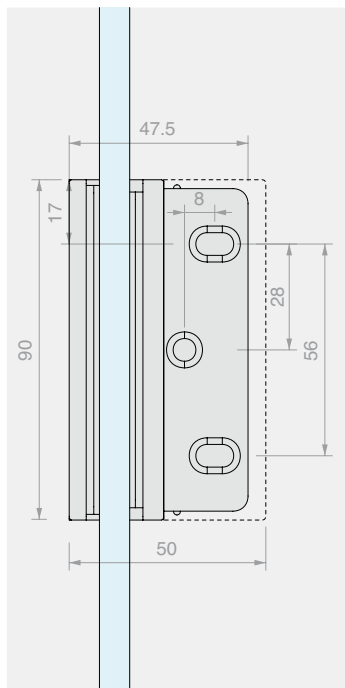
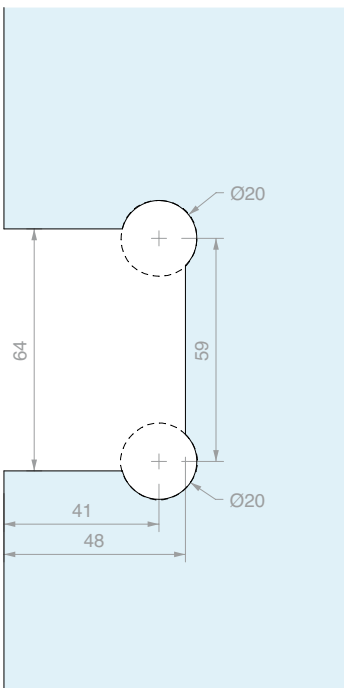
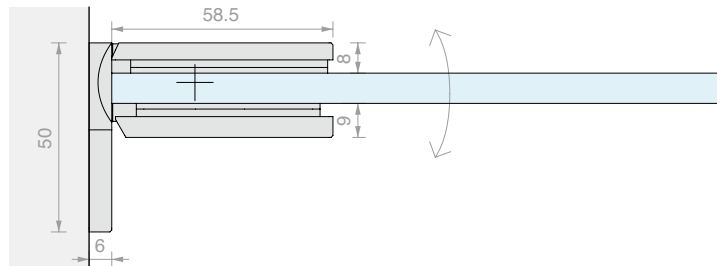
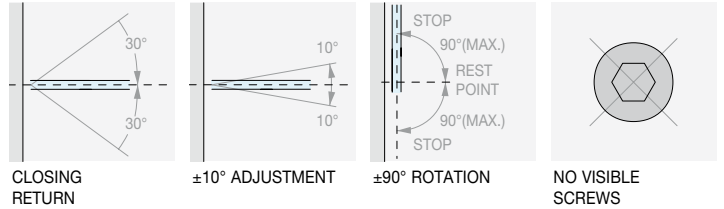
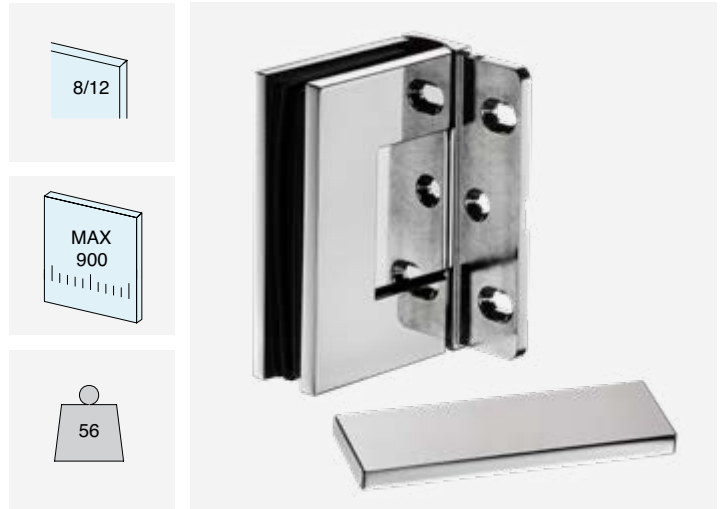




**WALL/GLASS ADJUSTABLE SIDE HINGE**

Material: Brass

Finish: /1 /24 /73 /R2



Art. **DQ40SGCOV**

For glass  
From 8 to 12 mm

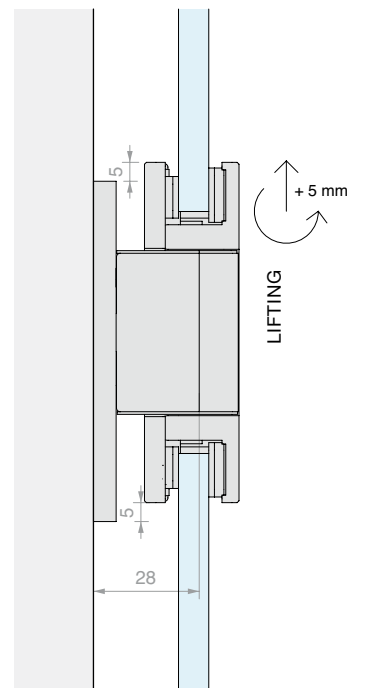
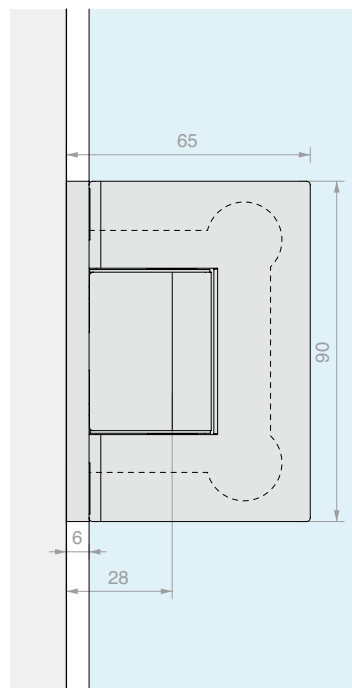
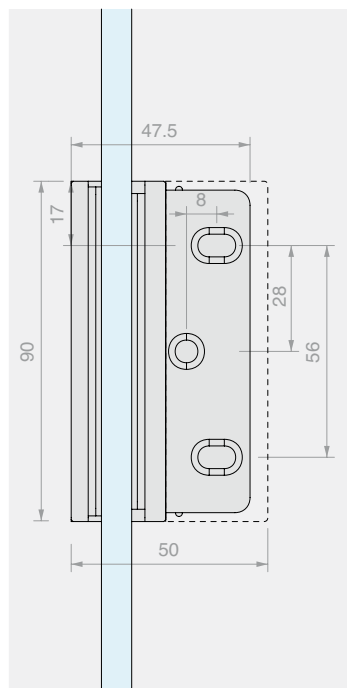
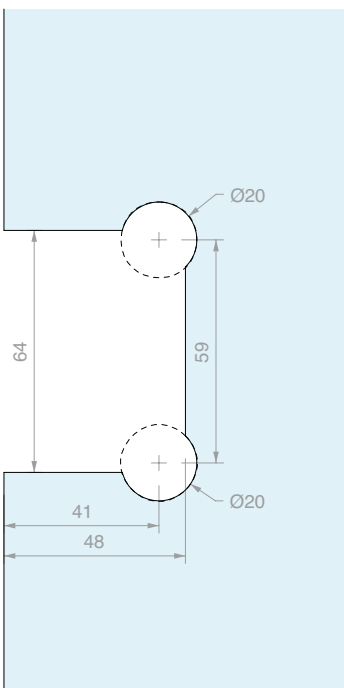
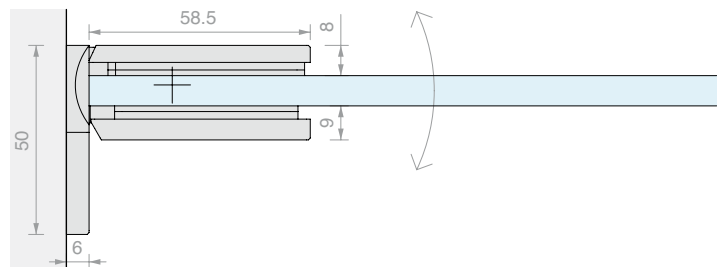
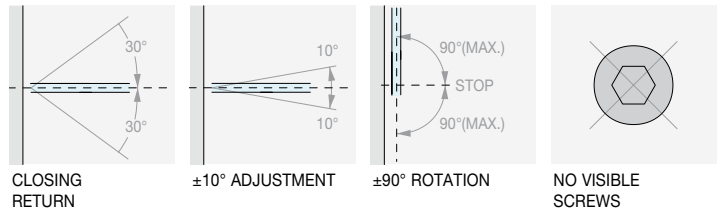
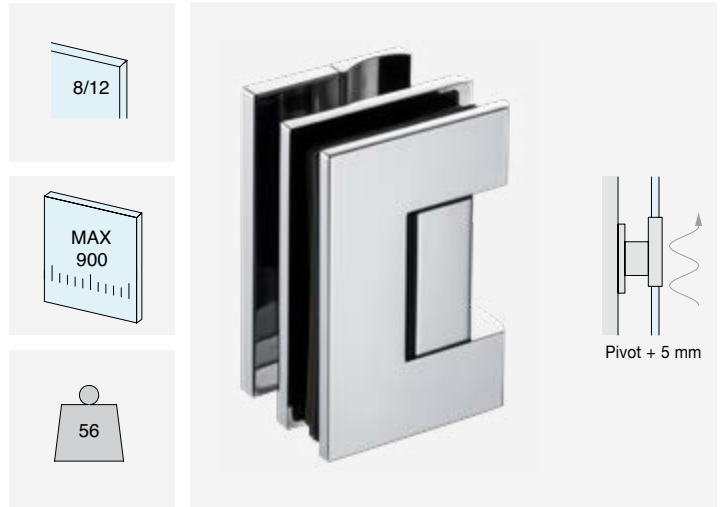
Qty  
1 Pc



**WALL/GLASS ADJUSTABLE SIDE PIVOT HINGE**

Material: Brass

Finish: /1 /24 /73 /R2



Art. **DQ40SGPVT**

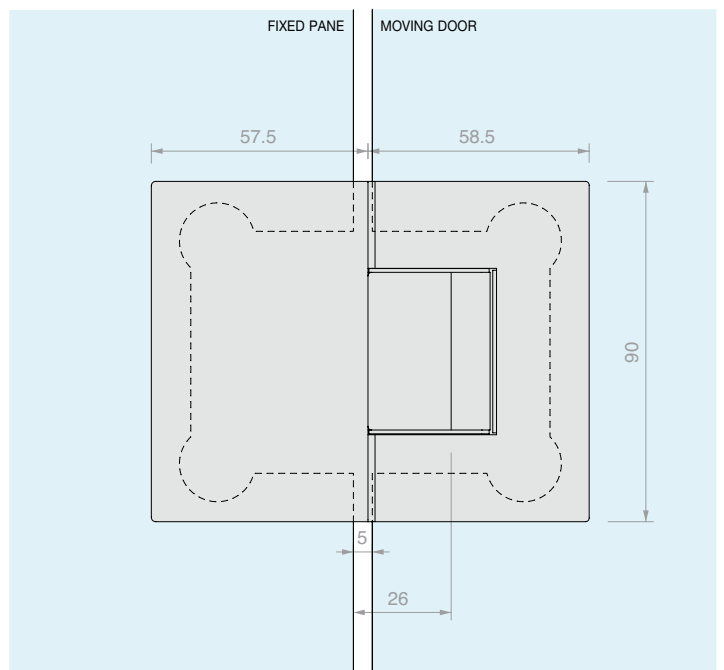
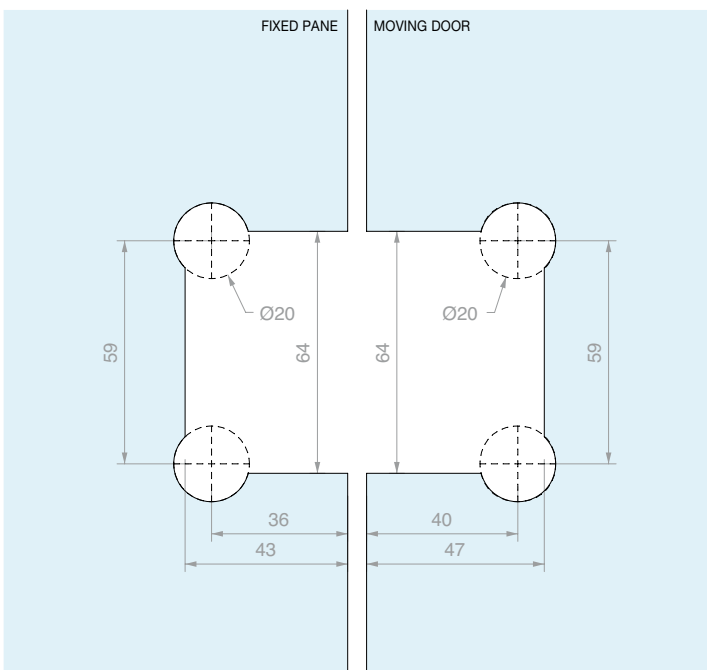
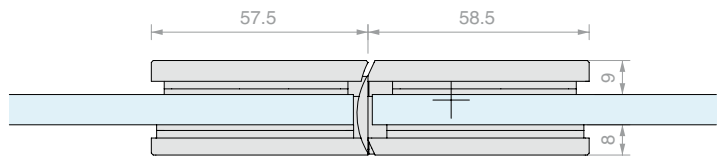
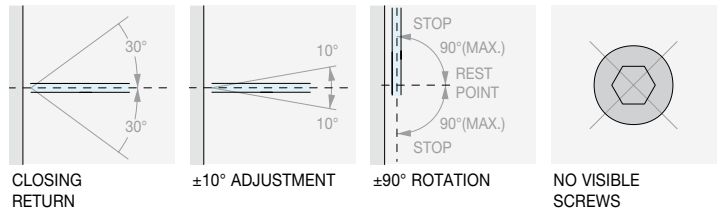
For glass  
From 8 to 12 mm

Qty  
1 Pc



**GLASS/GLASS ADJUSTABLE IN-LINE HINGE**

Material: Brass  
 Finish: /1 /24 /73 /R2



Art.	For glass	Qty
<b>DQ480SG</b>	From 8 to 12 mm	1 Pc





**SAINT-GOBAIN LOGLI S.R.L.**

Via Chemnitz, 49/51

59100 Prato - Italy

[www.sg-logli.it](http://www.sg-logli.it)

[info.logli@saint-gobain.com](mailto:info.logli@saint-gobain.com)