


NEW  
**DEFENDER  
RUBIGO**

---

Unique style,  
uncompromising protection



 **logli**  
SAINT-GOBAIN



The **DEFENDER** aluminium profile range is enriched with the new colour **CORTEN**, a rust effect, unique and refined, designed to add character to your architectural projects

Now available for the **DEFENDER** family







## WHY CHOOSE **DEFENDER RUBIGO?**

***Unique aesthetics:***  
gives a touch of industrial  
and contemporary design

***Versatility:***  
*ideal for indoor and outdoor  
use, it integrates harmoniously  
into any context.*

***Resistance:***  
*Logli Saint-Gobain quality  
guarantees durability and  
incomparable protection.*



Discover all finishes and models  
on the website [www.sg-logli.it](http://www.sg-logli.it)

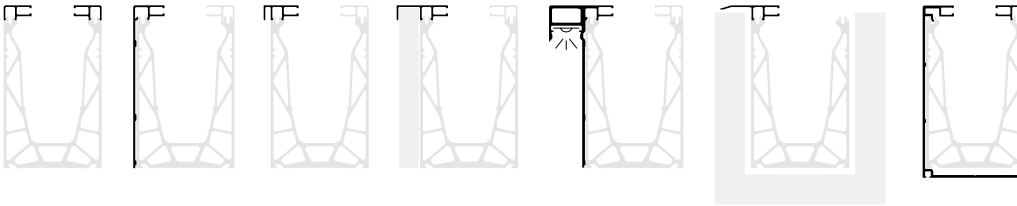
# DEFENDER 810

## *The panorama at your fingertips*

The DF810 range, with all its installation possibilities, adapts to all your needs: minimalist profiles that will amaze you thanks to their high performance.

All aluminium profiles are protected with 20-micron anodisation or HPQ paint for increased durability, even in aggressive environments. Load-bearing profiles are supplied pre-drilled every 200 mm, ready for installation. On request, we offer the possibility to create profiles with additional holes or custom cuts for each project. Pre-assembled fasteners made of high-performance composite plastic block the glass easily and quickly, guaranteeing the highest safety and superior durability. In addition, the new modular concept of blocking systems means panes of different thicknesses can be installed without changing the system. The inclination of the glass can be adjusted and the position blocked by acting on both sides of the system.

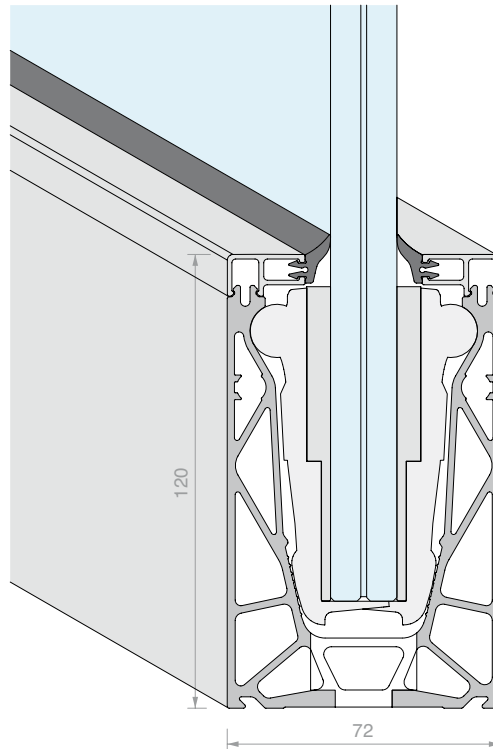
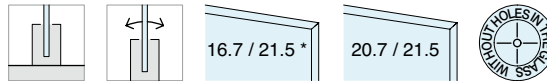
### Available finishing covers:



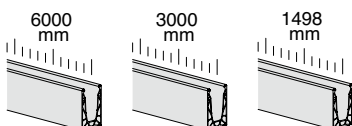
### DEFENDER 810LM KIT

FLOOR INSTALLATION

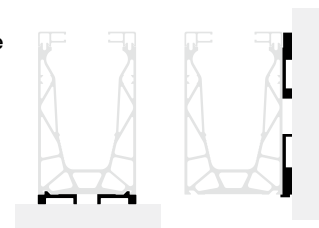
Finish: **R25**



All Defender kits are available in stock in three sizes:

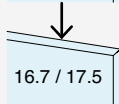
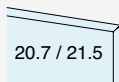
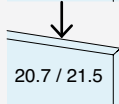
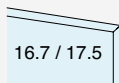
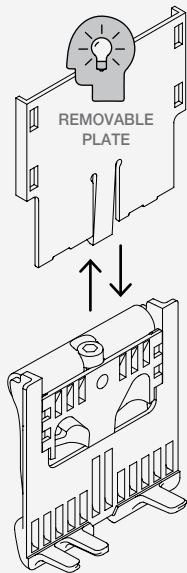


Optional water drainage profile:



**\* MODULAR CLAMPS  
for DEFENDER810**

DEFENDER810 clamps are designed to permit two configurations: 8+8 panes of glass using the thickness adaptors, and 10+10 panes of glass without the thickness adaptors.



**DF1721**

This model of clamp is already configured for 8+8 panes of glass. It uses the thickness adaptors.

**Reversible configuration**

The clamp can be reversed by removing the thickness adaptors. It adapts to 10+10 panes of glass.

**DF2121**

This model of clamp is already configured for 10+10 panes of glass. It does not use the thickness adaptors.

**Reversible configuration**

The clamp can be reversed. Order the thickness adaptors separately and insert them to adapt to 8+8 panes of glass.



DF1721

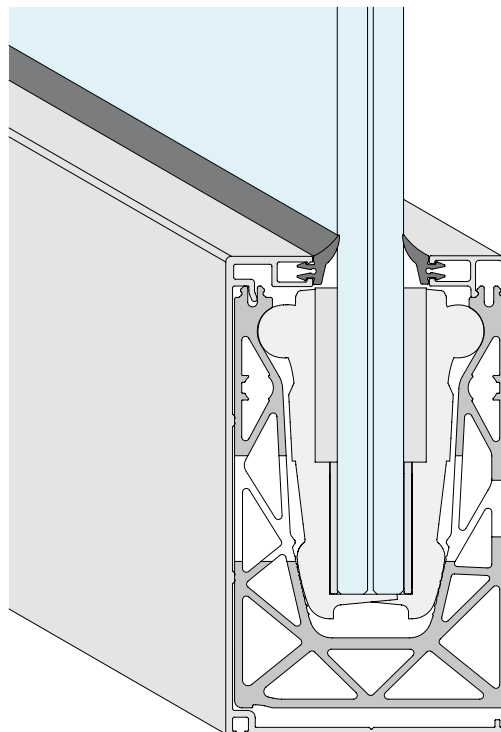
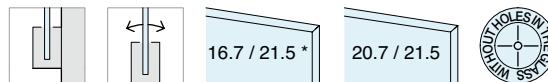


DF2121

**DEFENDER 810FR KIT**

**SLAB INSTALLATION**

Finish: **R25**



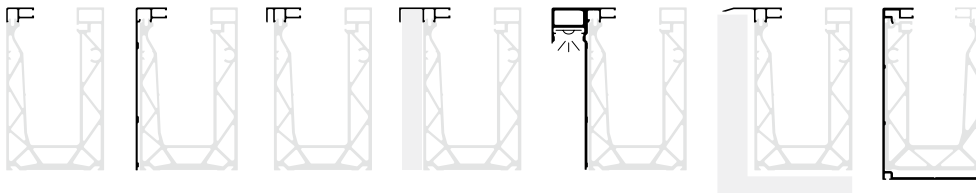
# DEFENDER 810 SINGLE-SIDED ADJUSTABLE

## *Adjustement at your fingertips*

The DEFENDER range is expanded with the innovative single-sided adjustment and fixing system: a new ally at your side that will be indispensable in the most complex installations, particularly where it is difficult to access both sides of the system. Not only does the new profile remain minimal like the rest of the range, it also increases the performance of the glass using continuous support gaskets on the outer side.

All aluminium profiles are protected with 20-micron anodisation or high-performance quality paint for increased durability, even in aggressive environments. Load-bearing profiles are supplied pre-drilled every 200 mm, ready for installation. On request, we offer the possibility to create profiles with additional holes or custom cuts for each project. The innovative insertion and adjustment system consists of pre-assembled fasteners made of high-performance composite plastic, including a moving ferrule to activate the adjustment device of the glass by acting only on the interior side. In addition, the new modular concept of blocking systems means panes of different thicknesses can be installed without changing the system.

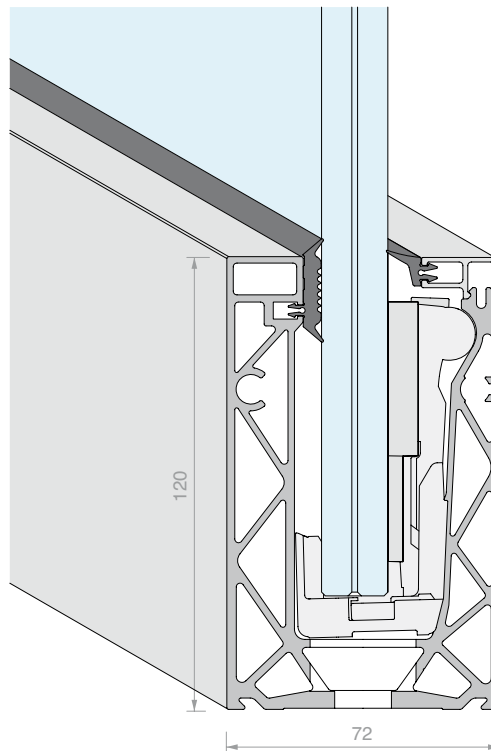
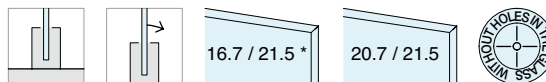
### Available finishing covers:



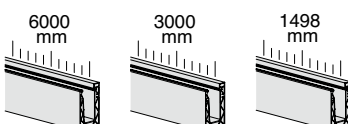
### DEFENDER 810MR KIT

#### FLOOR INSTALLATION

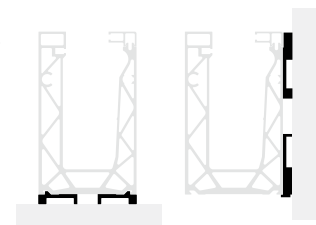
Finish: **R25**



All Defender kits are available in stock in three sizes:



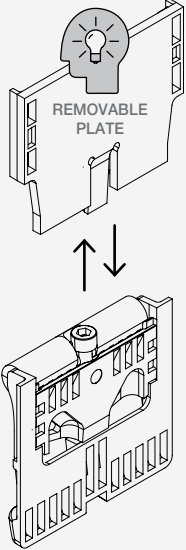
Optional water drainage profile:



**\*MODULAR CLAMPS for DEFENDER810MR**

DEFENDER810MR clamps are designed to permit two configurations: 8+8 panes of glass using an adjustable adaptor, and 10+10 panes of glass without the thickness adaptors.

Clamp kit provided with adjustment tool DFUT01

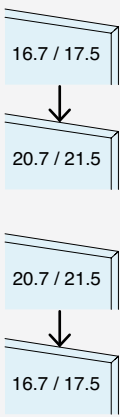


**DF1721MR**  
 This model of clamp is already configured for 8+8 panes of glass. It uses the thickness adaptors.

**Reversible configuration**  
 The clamp can be reversed by removing the thickness adaptors. It adapts to 10+10 panes of glass.

**DF2121MR**  
 This model of clamp is already configured for 10+10 panes of glass. It does not use the thickness adaptors.

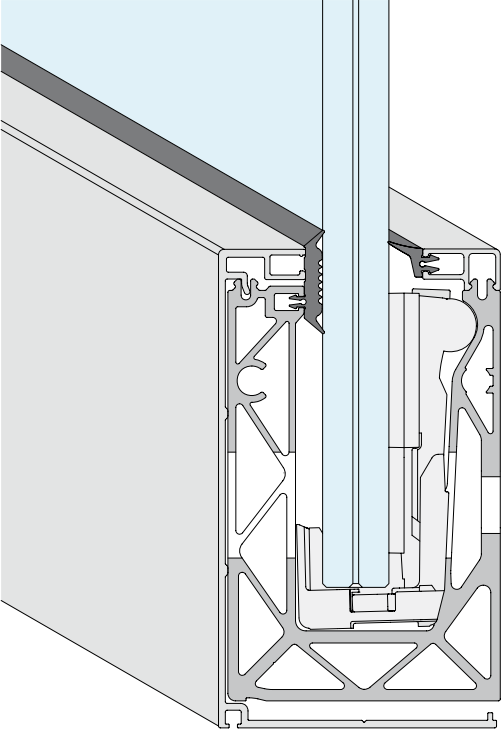
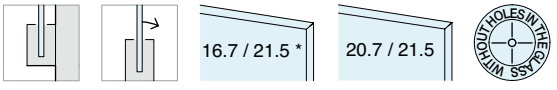
**Reversible configuration**  
 The clamp can be reversed. Order the thickness adaptors separately and insert them to adapt to 8+8 panes glass.




**DEFENDER 810MF KIT**

**SLAB INSTALLATION**

Finish: **R25**



# DEFENDER XP and PICO

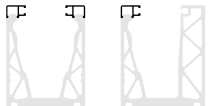
*The smallest, the most resistant*

The PICO range offers all the safety of the DEFENDER line in smaller dimensions. Suitable for application on walls or in any solution where the existing height of the balustrades is not enough.

All aluminium profiles are protected with 20-micron anodisation or high-performance quality paint for increased durability, even in aggressive environments. Load-bearing profiles are supplied pre-drilled every 200 mm, ready for installation. On request, we offer the possibility to create profiles with additional holes or custom cuts for any project.

Fasteners made of high-performance composite plastic for superior durability and safety: ready for use, for even faster installation. XP series, with two-sided glass adjustment. PICO series, with single-sided installation with no adjustment.

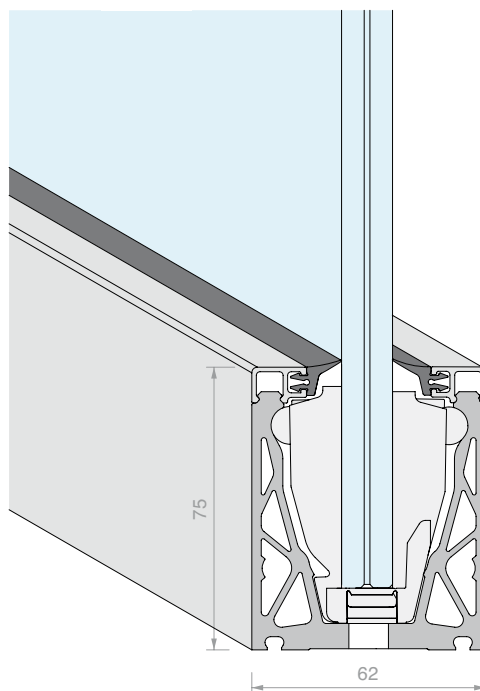
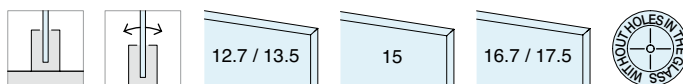
Available finishing covers:



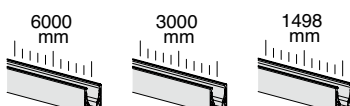
## DEFENDER XP KIT

FLOOR INSTALLATION

Finish: **R25**



All Defender kits are available in stock in three sizes:





**DEFENDER XP DOUBLE-SIDED  
ADJUSTABLE CLAMPS**

Material: POM, Grivory, Stainless steel



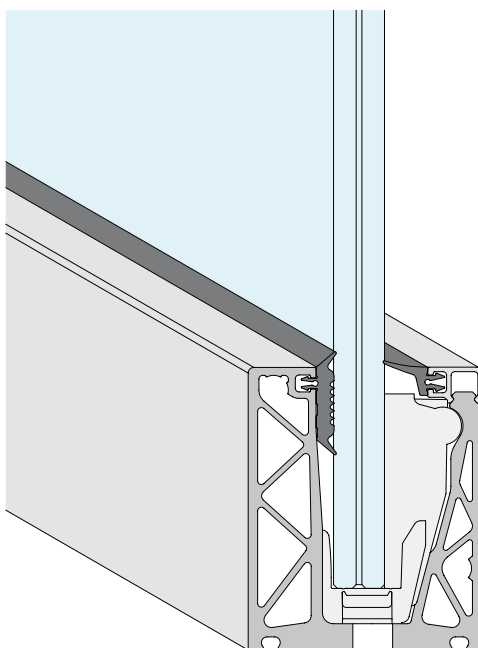
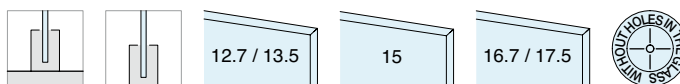
**DEFENDER PICO  
SINGLE-SIDED CLAMPS**

Material: POM, Aluminium (DFP17) or Grivory, Stainless steel

**DEFENDER PICO KIT**

FLOOR INSTALLATION

Finish: **R25**



Discover all finishes and models on the website [www.sg-logli.it](http://www.sg-logli.it)



***DEFENDER  
RUBIGO  
/R25***

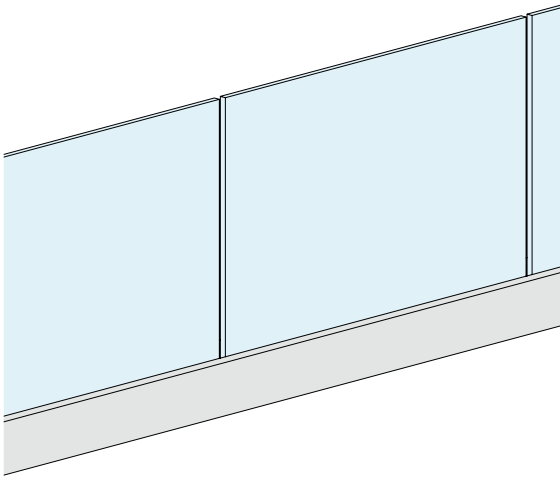
# Make room for the beauty and safety of Logli balustrade systems

## VERSATILITY OF THE RANGE FOR EVERY TYPE OF INSTALLATION:

Our range of balustrades stands out for the different types available, allowing you to choose the model best suited to your project.

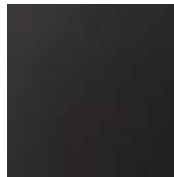
## DESIGN THAT COMBINES BEAUTY AND FUNCTIONALITY:

Minimalist systems available in many different finishes which can be customised for all requirements.

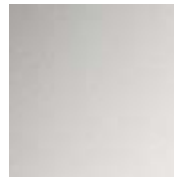


### BAND BALUSTRADE

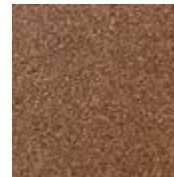
Some of the available finishes



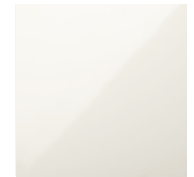
/6



/97



/R25



/RAL

Discover all finishes and models  
on the website  
[www.sg-logli.it](http://www.sg-logli.it)





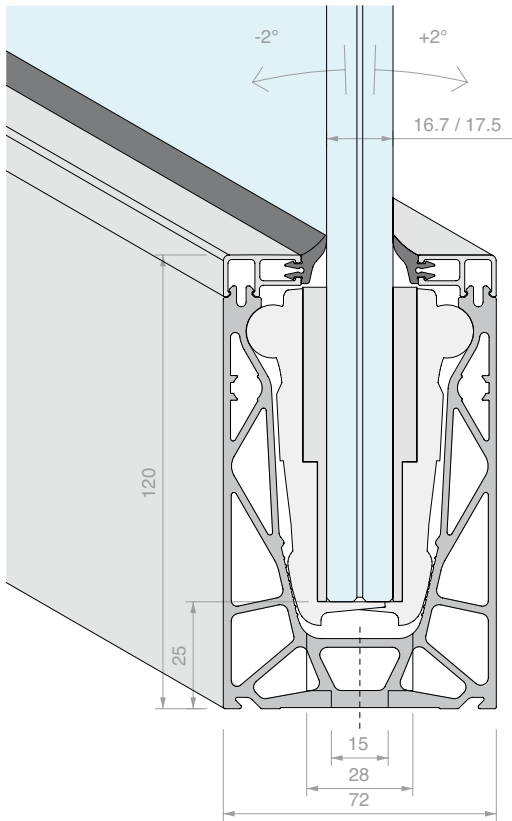
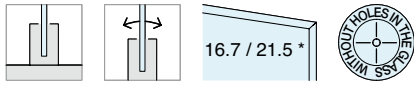
**DEFENDER 810LM KIT**

FLOOR INSTALLATION

CONFIGURED FOR GLASS 8+8

Material: Aluminium

Finish: R25



**\* MODULAR CLAMPS for DEFENDER810**

DEFENDER810 clamps are designed to permit two configurations: 8+8 panes of glass using the thickness adaptors, and 10+10 panes of glass without the thickness adaptors.

**REMOVABLE PLATE**

16.7 / 17.5

↓

20.7 / 21.5

↓

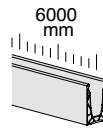
20.7 / 21.5

↓

16.7 / 17.5

**DF1721**  
This model of clamp is already configured for 8+8 panes of glass. It uses the thickness adaptors.  
**Reversible configuration**  
The clamp can be reversed by removing the thickness adaptors. It adapts to 10+10 panes of glass.

**DF2121**  
This model of clamp is already configured for 10+10 panes of glass. It does not use the thickness adaptors.  
**Reversible configuration**  
The clamp can be reversed. Order the thickness adaptors separately and insert them to adapt to 8+8 panes of glass.

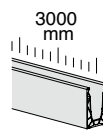
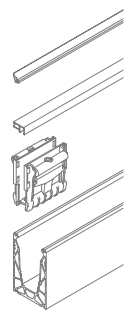


Kit comprising:

Art.	Description	Qty.
<b>DFP88G01.03</b>	Lip profile gasket	4 Pcs
<b>DF100.60</b>	Upper snap-on finishing profile	2 Pcs
<b>DF1721</b>	810 clamps for glass 8+8	24 Pcs
<b>DF810LM.60</b>	Floor profile	1 Pc

Art.	Length	Qty
<b>DF810LM17KIT.60</b>	6000 mm	1 Pc

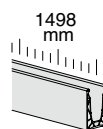
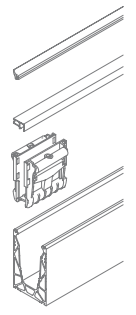


Kit comprising:

Art.	Description	Qty.
<b>DFP88G01.03</b>	Lip profile gasket	2 Pcs
<b>DF100.30</b>	Upper snap-on finishing profile	2 Pcs
<b>DF1721</b>	810 clamps for glass 8+8	12 Pcs
<b>DF810LM.30</b>	Floor profile	1 Pc

Art.	Length	Qty
<b>DF810LM17KIT.30</b>	3000 mm	1 Pc

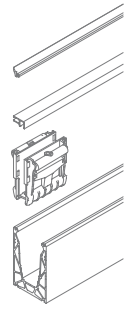


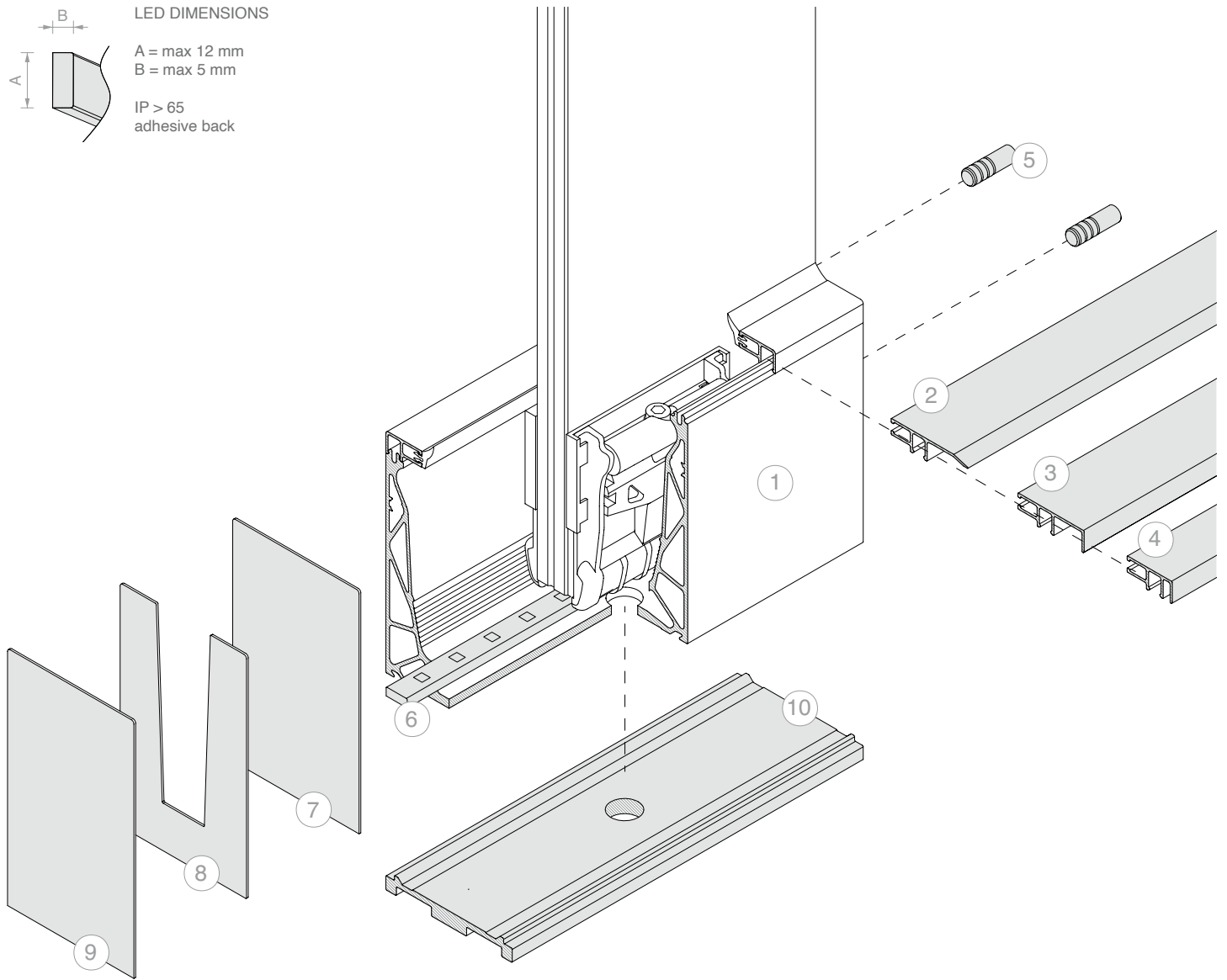
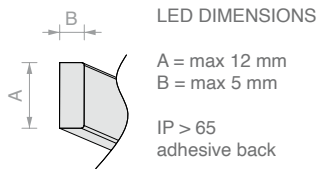
Kit comprising:

Art.	Description	Qty.
<b>DFP88G01.03</b>	Lip profile gasket	1 Pc
<b>DF100.15</b>	Upper snap-on finishing profile	2 Pcs
<b>DF1721</b>	810 clamps for glass 8+8	6 Pcs
<b>DF810LM.15</b>	Floor profile	1 Pc

Art.	Length	Qty
<b>DF810LM17KIT.15</b>	1498 mm	1 Pc



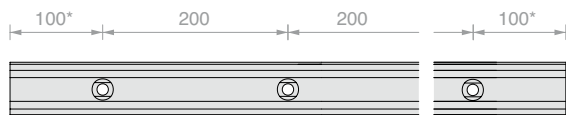


No. Art.  
1 **DF810LM17KIT**

Optional:

No.	Art.	Description
2	<b>DF101</b>	Snap-on threshold profile
3	<b>DF216</b>	Profile for front cladding insertion of max. thickness 16 mm
4	<b>DF204</b>	Profile for front cladding insertion of max. thickness 4 mm
5	<b>DF25</b>	2 centring pins
6	<b>LED</b>	LED strip for outdoor use
7	<b>DF12072AL</b>	Closed end cap
8	<b>DF2TPAL</b>	End cap with V-shaped opening
9	<b>DF12772AL</b>	Closed end cap with profile DFA72
10	<b>DFA72</b>	Water drainage profile

**HOLE SPACING**



\* The position of the first and last holes are given for information only. For specific requests, please contact Customer Care.



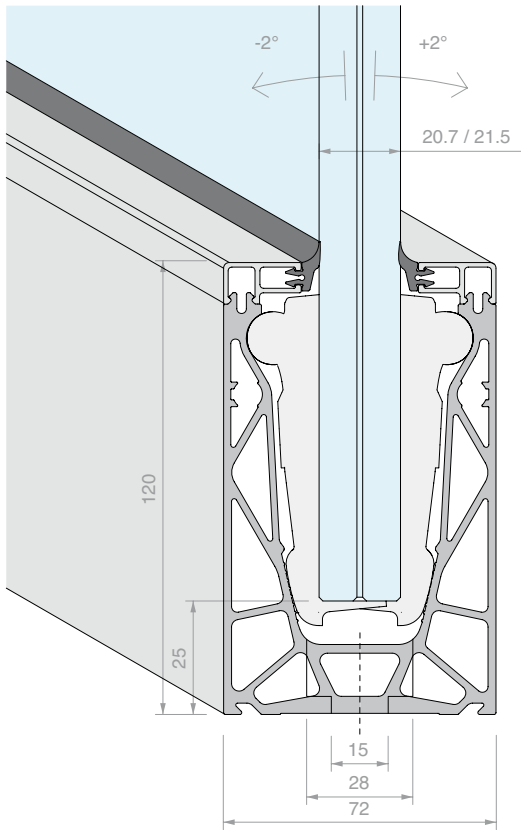
**DEFENDER 810LM KIT**

FLOOR INSTALLATION

CONFIGURED FOR GLASS 10+10

Material: Aluminium

Finish: R25



**MODULAR CLAMPS for DEFENDER810**

DEFENDER810 clamps are designed to permit two configurations: 8+8 panes of glass using the thickness adaptors, and 10+10 panes of glass without the thickness adaptors.

**DF1721**

This model of clamp is already configured for 8+8 panes of glass. It uses the thickness adaptors.

**Reversible configuration**

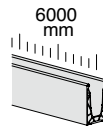
The clamp can be reversed by removing the thickness adaptors. It adapts to 10+10 panes of glass.

**DF2121**

This model of clamp is already configured for 10+10 panes of glass. It does not use the thickness adaptors.

**Reversible configuration**

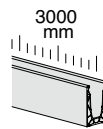
The clamp can be reversed. Order the thickness adaptors separately and insert them to adapt to 8+8 panes of glass.



Kit comprising:

Art.	Description	Qty.
<b>DFP88G01.03</b>	Lip profile gasket	4 Pcs
<b>DF100.60</b>	Upper snap-on finishing profile	2 Pcs
<b>DF2121</b>	810 clamps for glass 10+10	24 Pcs
<b>DF810LM.60</b>	Floor profile	1 Pc

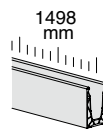
Art.	Length	Qty
<b>DF810LM21KIT.60</b>	6000 mm	1 Pc



Kit comprising:

Art.	Description	Qty.
<b>DFP88G01.03</b>	Lip profile gasket	2 Pcs
<b>DF100.30</b>	Upper snap-on finishing profile	2 Pcs
<b>DF2121</b>	810 clamps for glass 10+10	12 Pcs
<b>DF810LM.30</b>	Floor profile	1 Pc

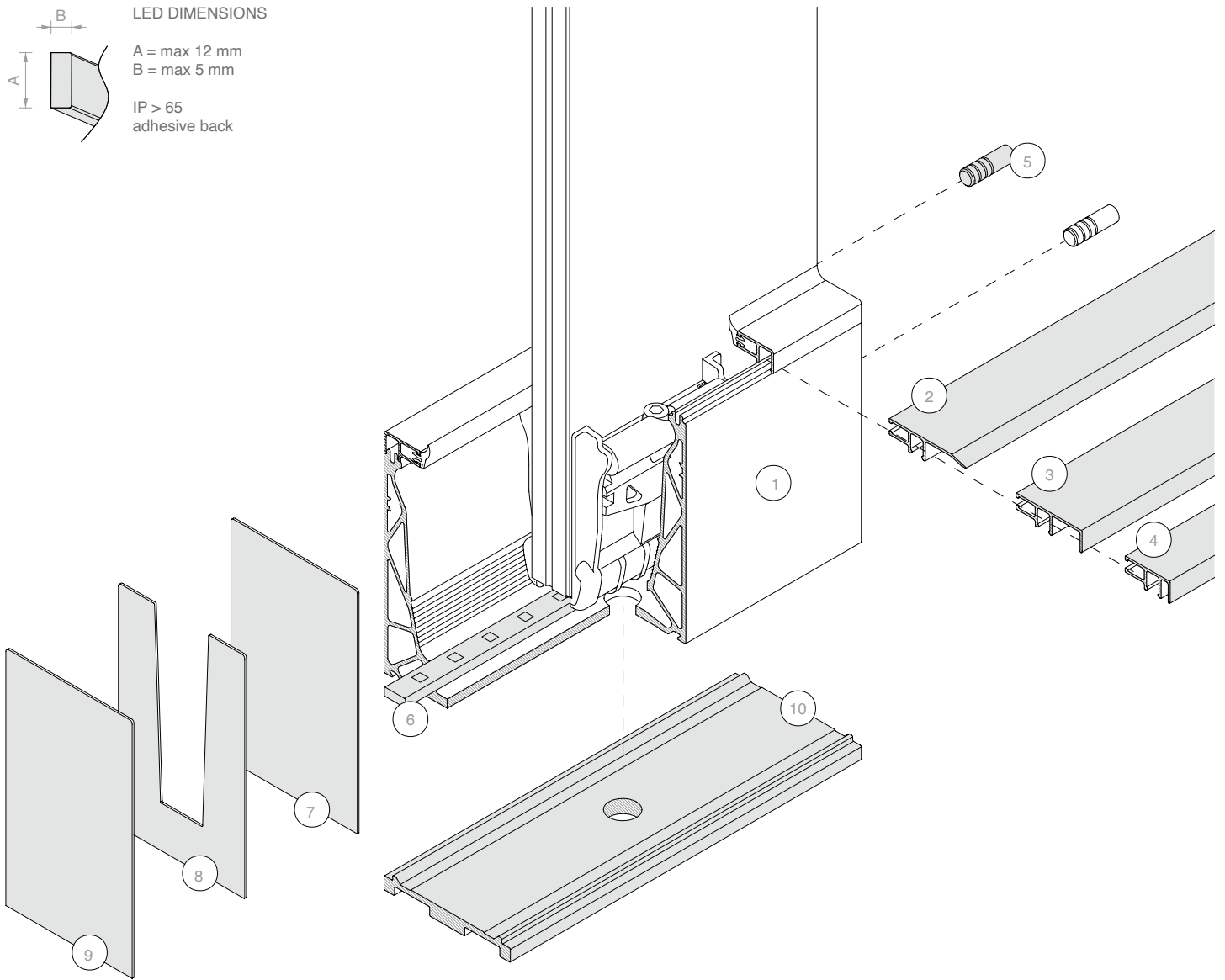
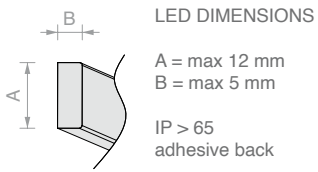
Art.	Length	Qty
<b>DF810LM21KIT.30</b>	3000 mm	1 Pc



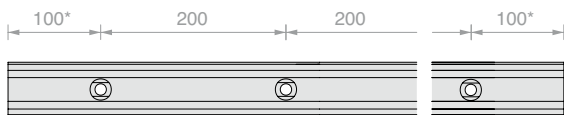
Kit comprising:

Art.	Description	Qty.
<b>DFP88G01.03</b>	Lip profile gasket	1 Pc
<b>DF100.15</b>	Upper snap-on finishing profile	2 Pcs
<b>DF2121</b>	810 clamps for glass 10+10	6 Pcs
<b>DF810LM.15</b>	Floor profile	1 Pc

Art.	Length	Qty
<b>DF810LM21KIT.15</b>	1498 mm	1 Pc



**HOLE SPACING**



\* The position of the first and last holes are given for information only. For specific requests, please contact Customer Care.

No. Art.

1 **DF810LM21KIT**

Optional:

No.	Art.	Description
2	<b>DF101</b>	Snap-on threshold profile
3	<b>DF216</b>	Profile for front cladding insertion of max. thickness 16 mm
4	<b>DF204</b>	Profile for front cladding insertion of max. thickness 4 mm
5	<b>DF25</b>	2 centring pins
6	<b>LED</b>	LED strip for outdoor use
7	<b>DF12072AL</b>	Closed end cap
8	<b>DF2TPAL</b>	End cap with V-shaped opening
9	<b>DF12772AL</b>	Closed end cap with profile DFA72
10	<b>DFA72</b>	Water drainage profile



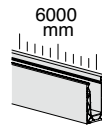
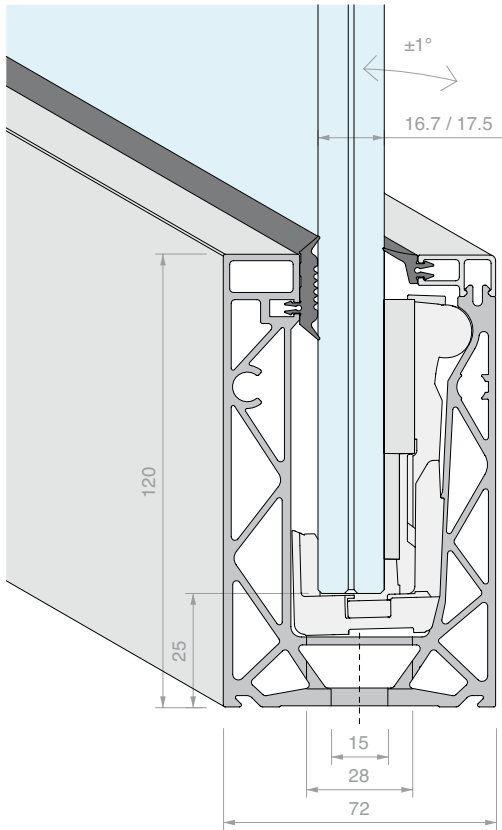
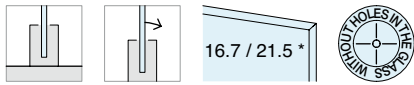
**DEFENDER 810MR KIT**

FLOOR INSTALLATION

CONFIGURED FOR GLASS 8+8

Material: Aluminium

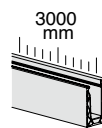
Finish: **R25**



Kit comprising:

Art.	Description	Qty.
<b>DFP88G01.03</b>	Lip profile gasket	2 Pcs
<b>DFPG03.03</b>	Flat profile gasket	2 Pcs
<b>DF100.60</b>	Upper snap-on finishing profile	1 Pc
<b>DF1721MR</b>	810 clamps for glass 8+8	24 Pcs
<b>DF810MR.60</b>	Single-sided floor profile	1 Pc

Art.	Length	Qty
<b>DF810MR17KIT.60</b>	6000 mm	1 Pc



Kit comprising:

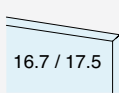
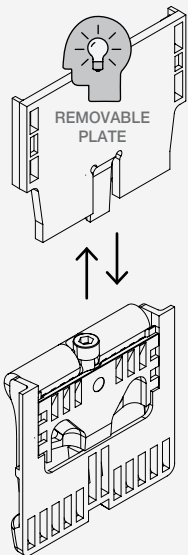
Art.	Description	Qty.
<b>DFP88G01.03</b>	Lip profile gasket	1 Pc
<b>DFPG03.03</b>	Flat profile gasket	1 Pc
<b>DF100.30</b>	Upper snap-on finishing profile	1 Pc
<b>DF1721MR</b>	810 clamps for glass 8+8	12 Pcs
<b>DF810MR.30</b>	Single-sided floor profile	1 Pc

Art.	Length	Qty
<b>DF810MR17KIT.30</b>	3000 mm	1 Pc

**\*MODULAR CLAMPS for DEFENDER810MR**

DEFENDER810MR clamps are designed to permit two configurations: 8+8 panes of glass using an adjustable adaptor, and 10+10 panes of glass without the thickness adaptors.

Clamp kit provided with adjustment tool DFUT01

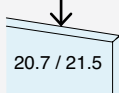


**DF1721MR**

This model of clamp is already configured for 8+8 panes of glass. It uses the thickness adaptors.

**Reversible configuration**

The clamp can be reversed by removing the thickness adaptors. It adapts to 10+10 panes of glass.

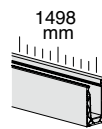
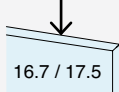
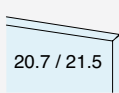


**DF2121MR**

This model of clamp is already configured for 10+10 panes of glass. It does not use the thickness adaptors.

**Reversible configuration**

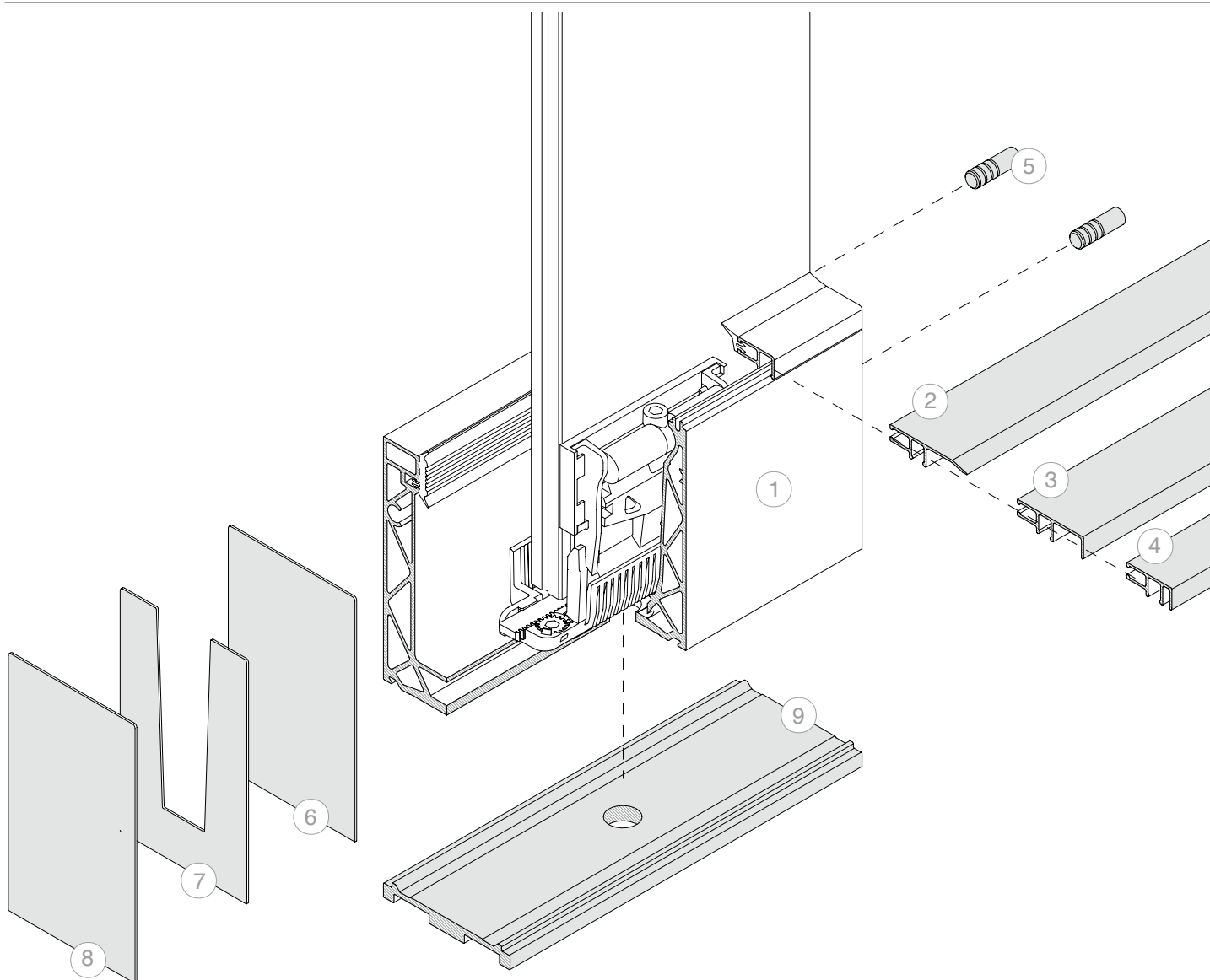
The clamp can be reversed. Order the thickness adaptors separately and insert them to adapt to 8+8 panes of glass.



Kit comprising:

Art.	Description	Qty.
<b>DFP88G01</b>	Lip profile gasket	1.5 m
<b>DFPG03</b>	Flat profile gasket	1.5 m
<b>DF100.15</b>	Upper snap-on finishing profile	1 Pc
<b>DF1721MR</b>	810 clamps for glass 8+8	6 Pcs
<b>DF810MR.15</b>	Single-sided floor profile	1 Pc

Art.	Length	Qty
<b>DF810MR17KIT.15</b>	1498 mm	1 Pc



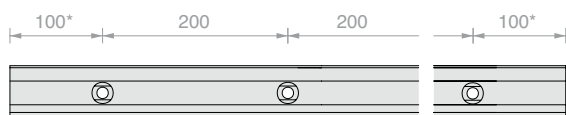
No. Art.

1 **DF810MR17KIT**

Optional:

No.	Art.	Description
2	<b>DF101</b>	Snap-on threshold profile
3	<b>DF216</b>	Profile for front cladding insertion of max. thickness 16 mm
4	<b>DF204</b>	Profile for front cladding insertion of max. thickness 4 mm
5	<b>DF25</b>	2 centring pins
6	<b>DF12072AL</b>	Closed end cap
7	<b>DF2TPAL</b>	End cap with V-shaped opening
8	<b>DF12772AL</b>	Closed end cap with profile DFA72
9	<b>DFA72</b>	Water drainage profile

#### HOLE SPACING



\* The position of the first and last holes are given for information only.  
For specific requests, please contact Customer Care.



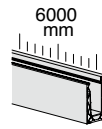
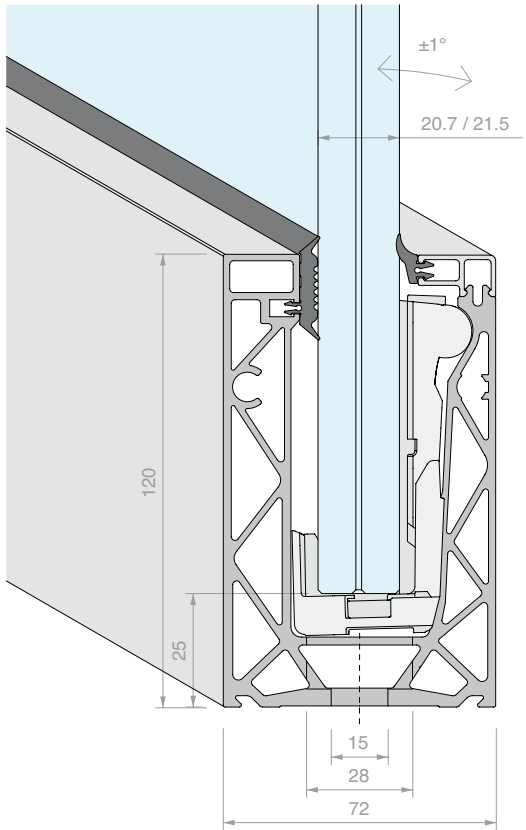
**DEFENDER 810MR KIT**

FLOOR INSTALLATION

CONFIGURED FOR GLASS 10+10

Material: Aluminium

Finish: R25

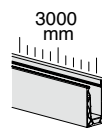
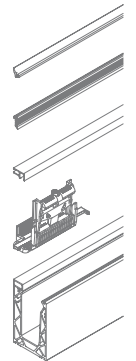


Kit comprising:

Art.	Description	Qty.
<b>DFP88G01.03</b>	Lip profile gasket	2 Pcs
<b>DFPG03.03</b>	Flat profile gasket	2 Pcs
<b>DF100.60</b>	Upper snap-on finishing profile	1 Pc
<b>DF2121MR</b>	810 clamps for glass 10+10	24 Pcs
<b>DF810MR.60</b>	Single-sided floor profile	1 Pc

Art.	Length	Qty
<b>DF810MR21KIT.60</b>	6000 mm	1 Pc

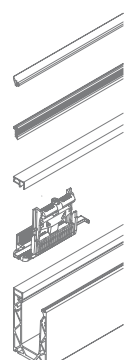


Kit comprising:

Art.	Description	Qty.
<b>DFP88G01.03</b>	Lip profile gasket	1 Pc
<b>DFPG03.03</b>	Flat profile gasket	1 Pc
<b>DF100.30</b>	Upper snap-on finishing profile	1 Pc
<b>DF2121MR</b>	810 clamps for glass 10+10	12 Pcs
<b>DF810MR.30</b>	Single-sided floor profile	1 Pc

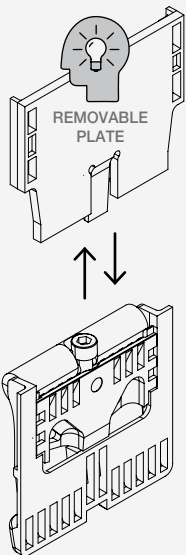
Art.	Length	Qty
<b>DF810MR21KIT.30</b>	3000 mm	1 Pc



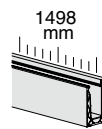
**MODULAR CLAMPS for DEFENDER810MR**

DEFENDER810MR clamps are designed to permit two configurations: 8+8 panes of glass using an adjustable adaptor, and 10+10 panes of glass without the thickness adaptors.

Clamp kit provided with adjustment tool DFUT01



<b>DF1721MR</b>	This model of clamp is already configured for 8+8 panes of glass. It uses the thickness adaptors.
16.7 / 17.5	↓
<b>Reversible configuration</b>	The clamp can be reversed by removing the thickness adaptors. It adapts to 10+10 panes of glass.
20.7 / 21.5	↓
<b>DF2121MR</b>	This model of clamp is already configured for 10+10 panes of glass. It does not use the thickness adaptors.
20.7 / 21.5	↓
<b>Reversible configuration</b>	The clamp can be reversed. Order the thickness adaptors separately and insert them to adapt to 8+8 panes of glass.
16.7 / 17.5	↓

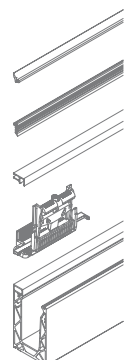


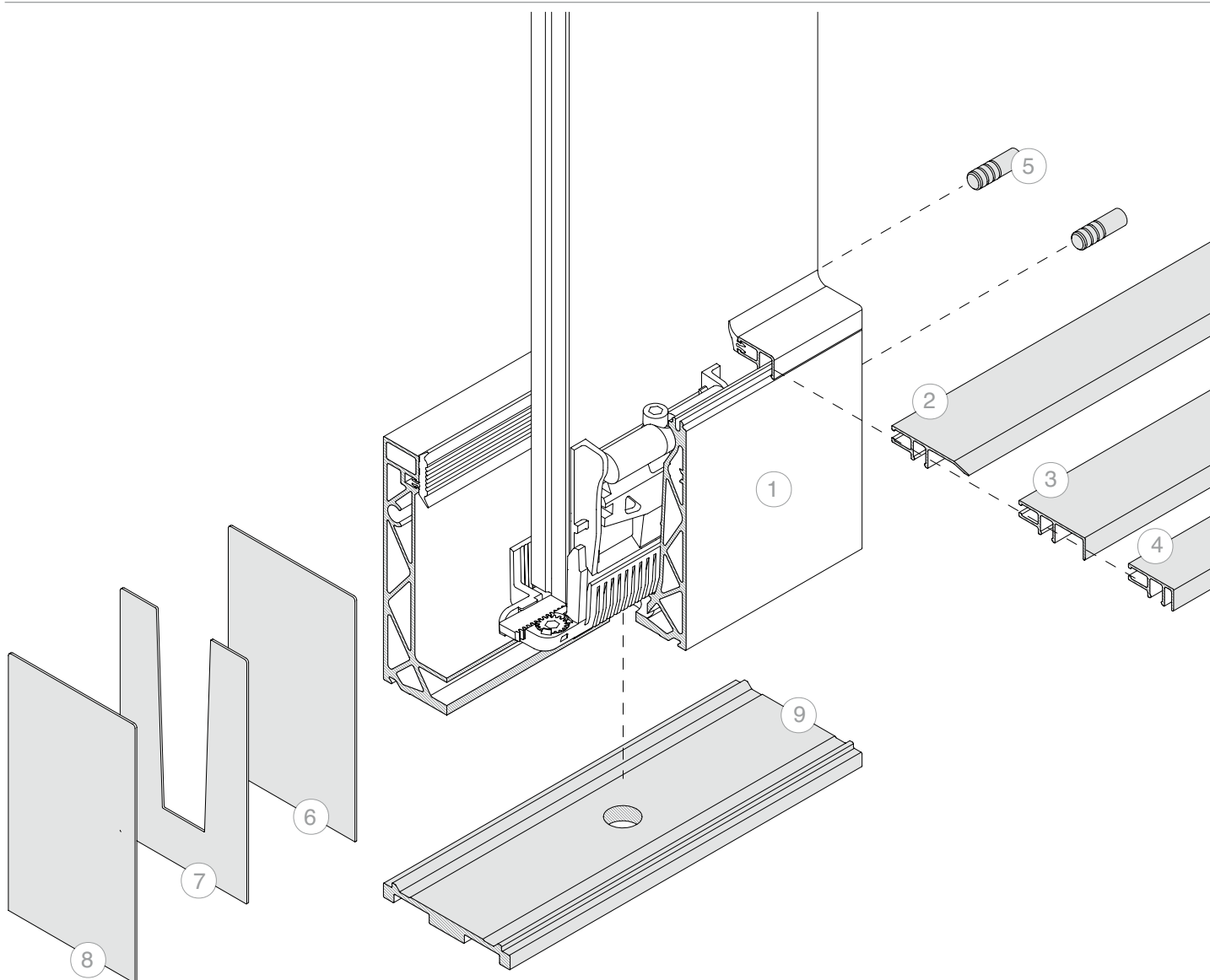
Kit comprising:

Art.	Description	Qty.
<b>DFP88G01</b>	Lip profile gasket	1.5 m
<b>DFPG03</b>	Flat profile gasket	1.5 m
<b>DF100.15</b>	Upper snap-on finishing profile	1 Pc
<b>DF2121MR</b>	810 clamps for glass 10+10	6 Pcs
<b>DF810MR.15</b>	Single-sided floor profile	1 Pc

Art.	Length	Qty
<b>DF810MR21KIT.15</b>	1498 mm	1 Pc





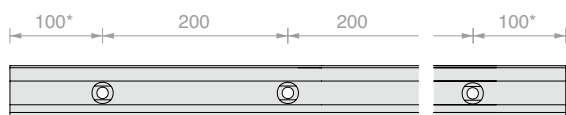
No. Art.

1 **DF810MR21KIT**

Optional:

No.	Art.	Description
2	<b>DF101</b>	Snap-on threshold profile
3	<b>DF216</b>	Profile for front cladding insertion of max. thickness 16 mm
4	<b>DF204</b>	Profile for front cladding insertion of max. thickness 4 mm
5	<b>DF25</b>	2 centring pins
6	<b>DF12072AL</b>	Closed end cap
7	<b>DF2TPAL</b>	End cap with V-shaped opening
8	<b>DF12772AL</b>	Closed end cap with profile DFA72
9	<b>DFA72</b>	Water drainage profile

#### HOLE SPACING



\* The position of the first and last holes are given for information only.  
For specific requests, please contact Customer Care.







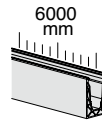
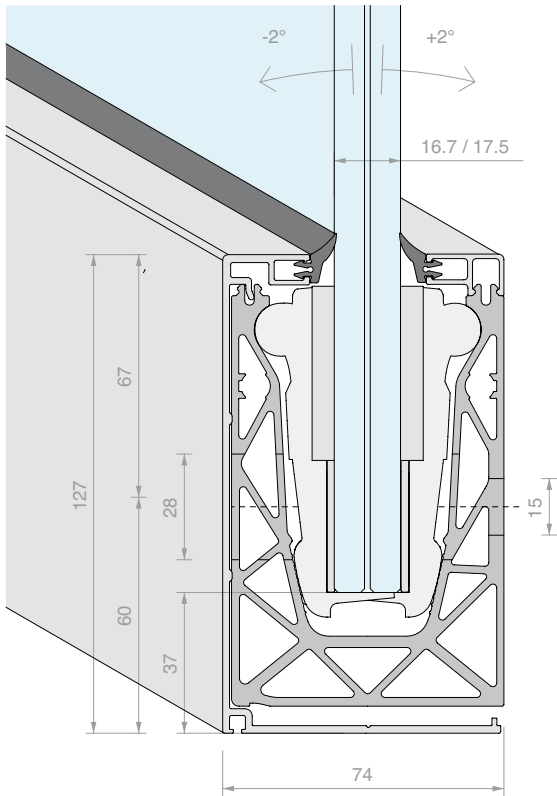
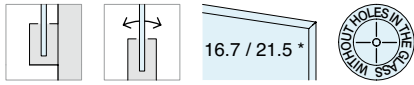
**DEFENDER 810FR KIT**

SLAB INSTALLATION

CONFIGURED FOR GLASS 8+8

Material: Aluminium

Finish: **R25**

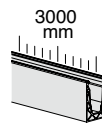
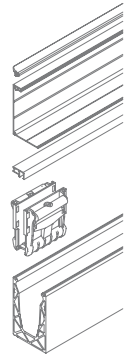


Kit comprising:

Art.	Description	Qty.
<b>DFP88G01.03</b>	Lip profile gasket	4 Pcs
<b>DFS15.60</b>	Finishing profile with drip guard	1 Pc
<b>DF100.60</b>	Upper snap-on finishing profile	1 Pc
<b>DF1721</b>	810 clamps for glass 8+8	24 Pcs
<b>DF810FR.60</b>	Slab profile	1 Pc

Art.	Length	Qty
<b>DF810FR17KIT.60</b>	6000 mm	1 Pc

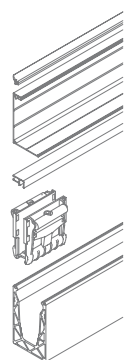


Kit comprising:

Art.	Description	Qty.
<b>DFP88G01.03</b>	Lip profile gasket	2 Pcs
<b>DFS15.30</b>	Finishing profile with drip guard	1 Pc
<b>DF100.30</b>	Upper snap-on finishing profile	1 Pc
<b>DF1721</b>	810 clamps for glass 8+8	12 Pcs
<b>DF810FR.30</b>	Slab profile	1 Pc

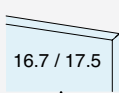
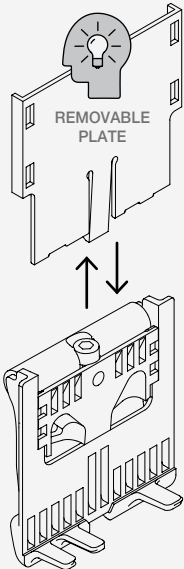
  

Art.	Length	Qty
<b>DF810FR17KIT.30</b>	3000 mm	1 Pc



**\* MODULAR CLAMPS for DEFENDER810**

DEFENDER810 clamps are designed to permit two configurations: 8+8 panes of glass using the thickness adaptors, and 10+10 panes of glass without the thickness adaptors.

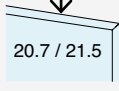


**DF1721**

This model of clamp is already configured for 8+8 panes of glass. It uses the thickness adaptors.

**Reversible configuration**

The clamp can be reversed by removing the thickness adaptors. It adapts to 10+10 panes of glass.

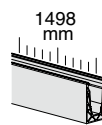
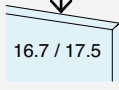
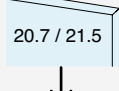


**DF2121**

This model of clamp is already configured for 10+10 panes of glass. It does not use the thickness adaptors.

**Reversible configuration**

The clamp can be reversed. Order the thickness adaptors separately and insert them to adapt to 8+8 panes of glass.

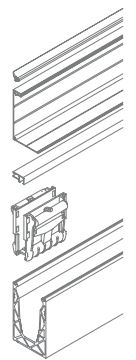


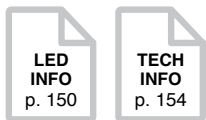
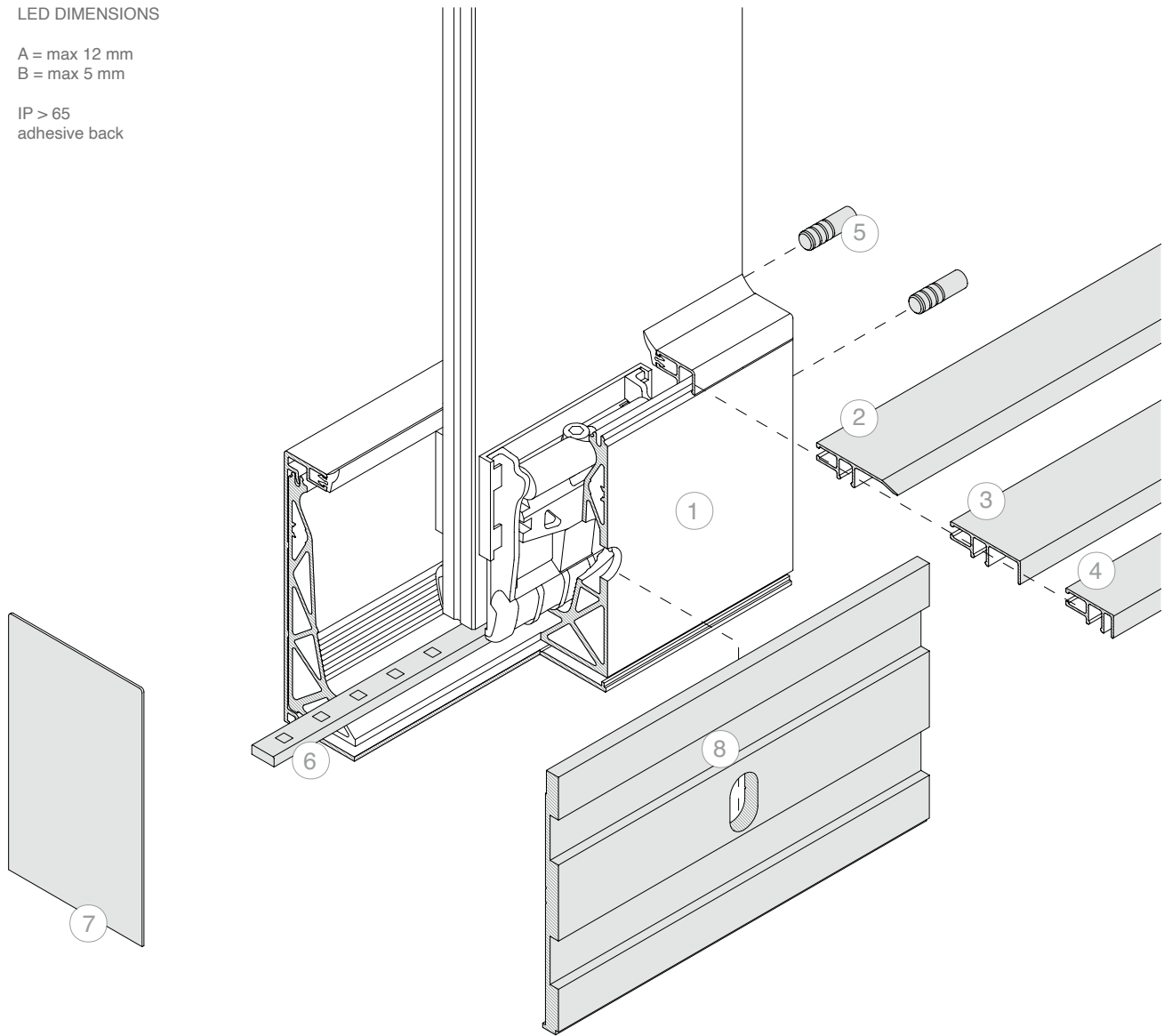
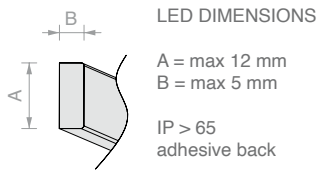
Kit comprising:

Art.	Description	Qty.
<b>DFP88G01.03</b>	Lip profile gasket	1 Pc
<b>DFS15.15</b>	Finishing profile with drip guard	1 Pc
<b>DF100.15</b>	Upper snap-on finishing profile	1 Pc
<b>DF1721</b>	810 clamps for glass 8+8	6 Pcs
<b>DF810FR.15</b>	Slab profile	1 Pc

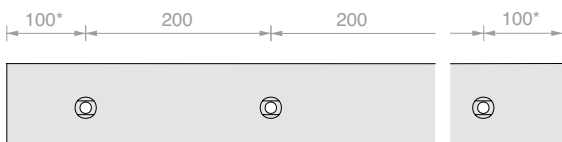
  

Art.	Length	Qty
<b>DF810FR17KIT.15</b>	1498 mm	1 Pc





**HOLE SPACING**



\* The position of the first and last holes are given for information only. For specific requests, please contact Customer Care.

No. Art.

1 **DF810FR17KIT**

Optional:

No. Art.	Description
2 <b>DF101</b>	Snap-on threshold profile
3 <b>DF216</b>	Profile for front cladding insertion of max. thickness 16 mm
4 <b>DF204</b>	Profile for front cladding insertion of max. thickness 4 mm
5 <b>DF25</b>	2 centring pins
6 <b>LED</b>	LED strip for outdoor use
7 <b>DF12774AL</b>	Closed end cap
8 <b>DFSA121</b>	Slab water drainage profile



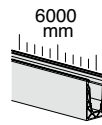
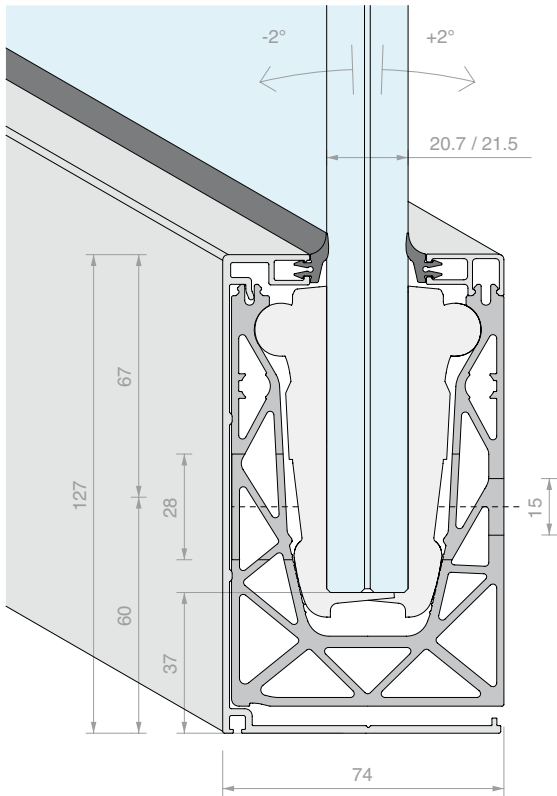
**DEFENDER 810FR KIT**

SLAB INSTALLATION

CONFIGURED FOR GLASS 10+10

Material: Aluminium

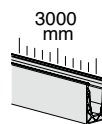
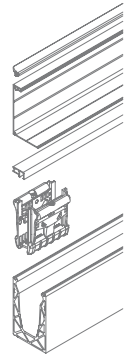
Finish: **R25**



Kit comprising:

Art.	Description	Qty.
<b>DFP88G01.03</b>	Lip profile gasket	4 Pcs
<b>DFS15.60</b>	Finishing profile with drip guard	1 Pc
<b>DF100.60</b>	Upper snap-on finishing profile	1 Pc
<b>DF2121</b>	810 clamps for glass 10+10	24 Pcs
<b>DF810FR.60</b>	Slab profile	1 Pc

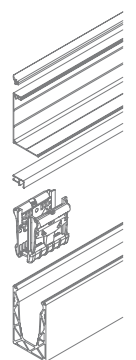
Art.	Length	Qty
<b>DF810FR21KIT.60</b>	6000 mm	1 Pc



Kit comprising:

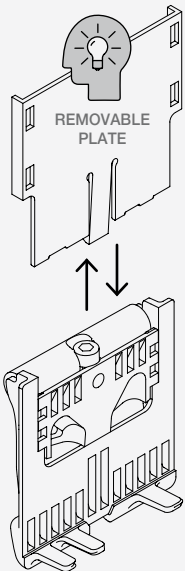
Art.	Description	Qty.
<b>DFP88G01.03</b>	Lip profile gasket	2 Pcs
<b>DFS15.30</b>	Finishing profile with drip guard	1 Pc
<b>DF100.30</b>	Upper snap-on finishing profile	1 Pc
<b>DF2121</b>	810 clamps for glass 10+10	12 Pcs
<b>DF810FR.30</b>	Slab profile	1 Pc

Art.	Length	Qty
<b>DF810FR21KIT.30</b>	3000 mm	1 Pc



**MODULAR CLAMPS for DEFENDER810**

DEFENDER810 clamps are designed to permit two configurations: 8+8 panes of glass using the thickness adaptors, and 10+10 panes of glass without the thickness adaptors.

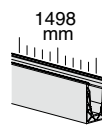


**DF1721**  
This model of clamp is already configured for 8+8 panes of glass. It uses the thickness adaptors.

**Reversible configuration**  
The clamp can be reversed by removing the thickness adaptors. It adapts to 10+10 panes of glass.

**DF2121**  
This model of clamp is already configured for 10+10 panes of glass. It does not use the thickness adaptors.

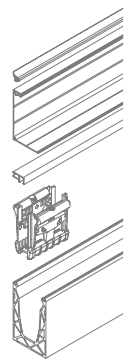
**Reversible configuration**  
The clamp can be reversed. Order the thickness adaptors separately and insert them to adapt to 8+8 panes of glass.

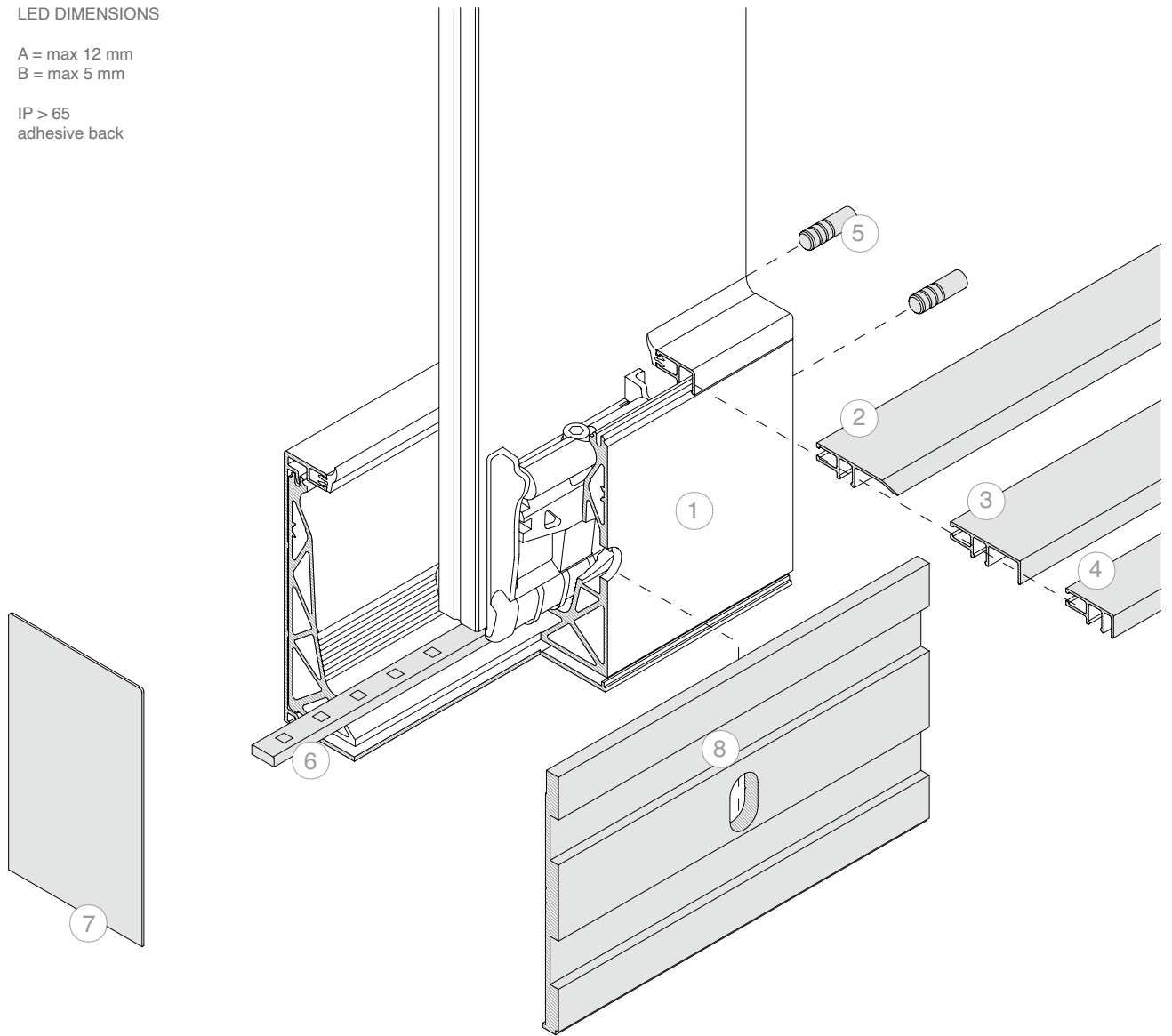
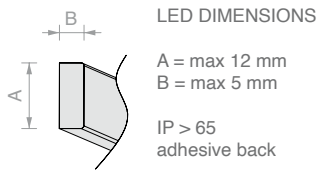


Kit comprising:

Art.	Description	Qty.
<b>DFP88G01.03</b>	Lip profile gasket	1 Pc
<b>DFS15.15</b>	Finishing profile with drip guard	1 Pc
<b>DF100.15</b>	Upper snap-on finishing profile	1 Pc
<b>DF2121</b>	810 clamps for glass 10+10	6 Pcs
<b>DF810FR.15</b>	Slab profile	1 Pc

Art.	Length	Qty
<b>DF810FR21KIT.15</b>	1498 mm	1 Pc





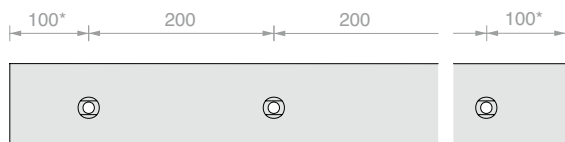
No. Art.

1 **DF810FR21KIT**

Optional:

No. Art.	Description
2 <b>DF101</b>	Snap-on threshold profile
3 <b>DF216</b>	Profile for front cladding insertion of max. thickness 16 mm
4 <b>DF204</b>	Profile for front cladding insertion of max. thickness 4 mm
5 <b>DF25</b>	2 centring pins
6 <b>LED</b>	LED strip for outdoor use
7 <b>DF12774AL</b>	Closed end cap
8 <b>DFSA121</b>	Slab water drainage profile

**HOLE SPACING**



\* The position of the first and last holes are given for information only. For specific requests, please contact Customer Care.



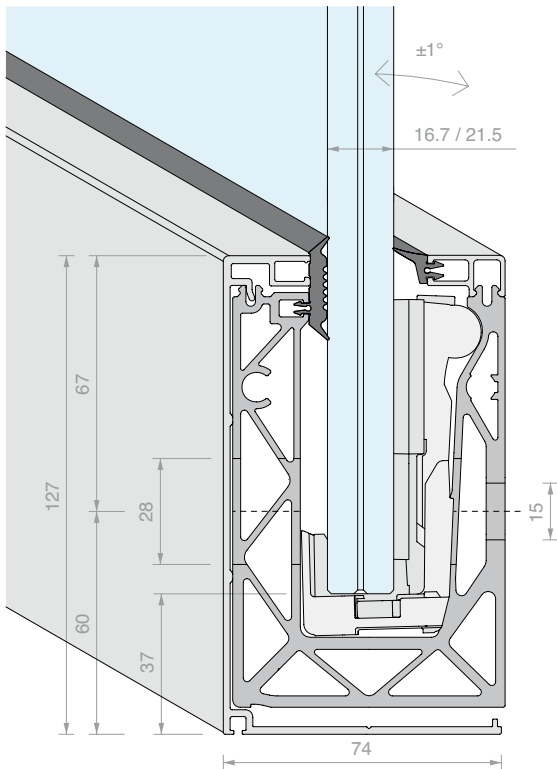
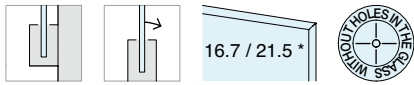
**DEFENDER 810MF KIT**

SLAB INSTALLATION

CONFIGURED FOR GLASS 8+8

Material: Aluminium

Finish: **R25**



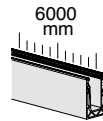
**\*MODULAR CLAMPS for DEFENDER810MR**

DEFENDER810MR clamps are designed to permit two configurations: 8+8 panes of glass using an adjustable adaptor, and 10+10 panes of glass without the thickness adaptors.

Clamp kit provided with adjustment tool DFUT01

**DF1721MR**  
 This model of clamp is already configured for 8+8 panes of glass. It uses the thickness adaptors.  
**Reversible configuration**  
 The clamp can be reversed by removing the thickness adaptors. It adapts to 10+10 panes of glass.

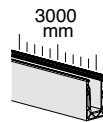
**DF2121MR**  
 This model of clamp is already configured for 10+10 panes of glass. It does not use the thickness adaptors.  
**Reversible configuration**  
 The clamp can be reversed. Order the thickness adaptors separately and insert them to adapt to 8+8 panes of glass.



Kit comprising:

Art.	Description	Qty.
<b>DFP88G01.03</b>	Lip profile gasket	2 Pcs
<b>DFPG03.03</b>	Flat profile gasket	2 Pcs
<b>DFS15.60</b>	Finishing profile with drip guard	1 Pc
<b>DF100.60</b>	Upper snap-on finishing profile	1 Pc
<b>DF1721MR</b>	810 clamps for glass 8+8	24 Pcs
<b>DF810MF.60</b>	Single-sided slab profile	1 Pc

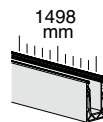
Art.	Length	Qty
<b>DF810MF17KIT.60</b>	<b>6000 mm</b>	<b>1 Pc</b>



Kit comprising:

Art.	Description	Qty.
<b>DFP88G01.03</b>	Lip profile gasket	1 Pc
<b>DFPG03.03</b>	Flat profile gasket	1 Pc
<b>DFS15.30</b>	Finishing profile with drip guard	1 Pc
<b>DF100.30</b>	Upper snap-on finishing profile	1 Pc
<b>DF1721MR</b>	810 clamps for glass 8+8	12 Pcs
<b>DF810MF.30</b>	Single-sided slab profile	1 Pc

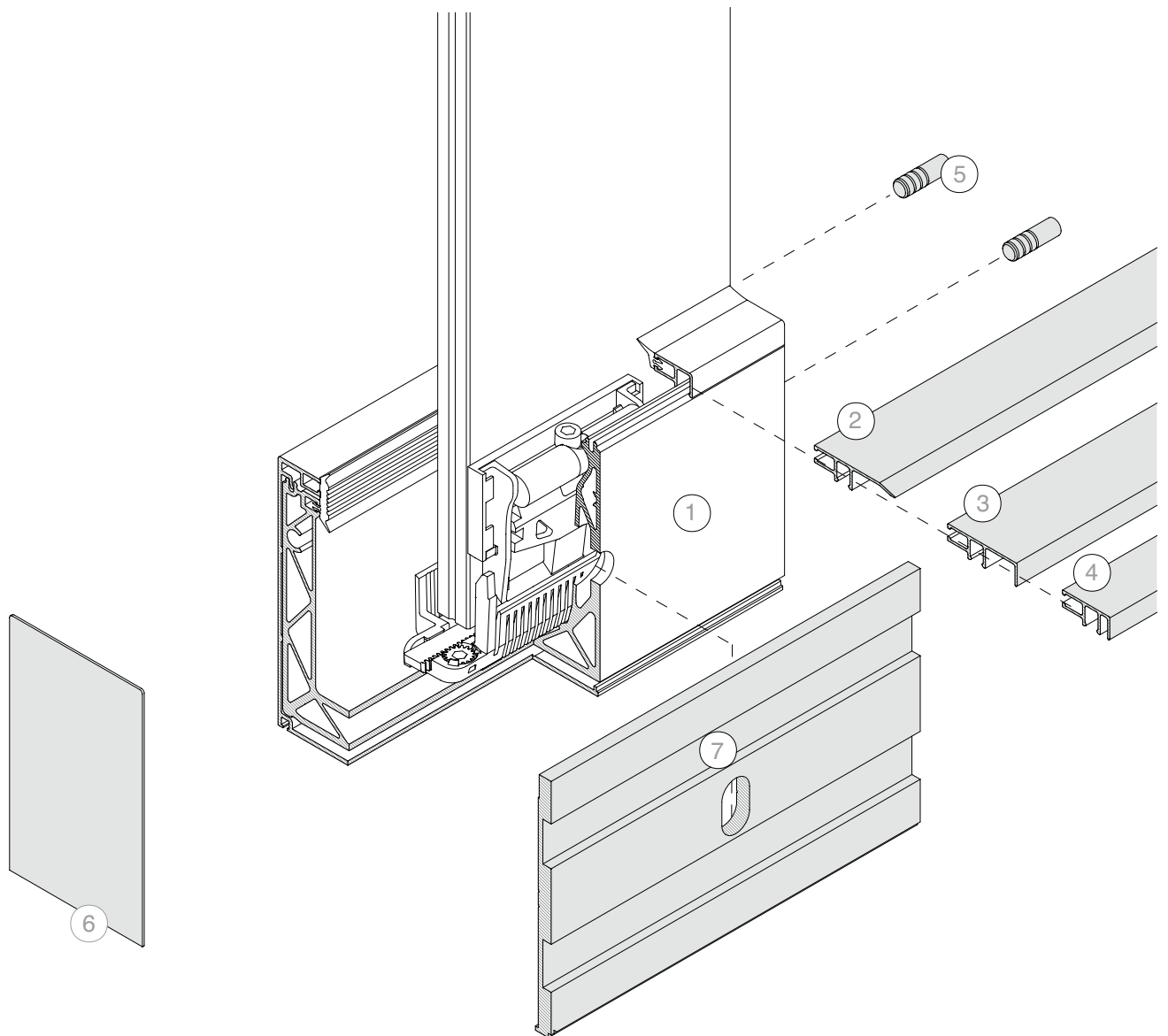
Art.	Length	Qty
<b>DF810MF17KIT.30</b>	<b>3000 mm</b>	<b>1 Pc</b>



Kit comprising:

Art.	Description	Qty.
<b>DFP88G01</b>	Lip profile gasket	1.5 m
<b>DFPG03</b>	Flat profile gasket	1.5 m
<b>DFS15.15</b>	Finishing profile with drip guard	1 Pc
<b>DF100.15</b>	Upper snap-on finishing profile	1 Pc
<b>DF1721MR</b>	810 clamps for glass 8+8	6 Pcs
<b>DF810MF.15</b>	Single-sided slab profile	1 Pc

Art.	Length	Qty
<b>DF810MF17KIT.15</b>	<b>1498 mm</b>	<b>1 Pc</b>



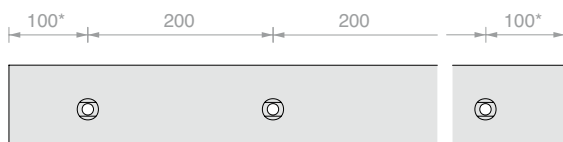
No. Art.

1 **DF810MF17KIT**

Optional:

No.	Art.	Description
2	<b>DF101</b>	Snap-on threshold profile
3	<b>DF216</b>	Profile for front cladding insertion of max. thickness 16 mm
4	<b>DF204</b>	Profile for front cladding insertion of max. thickness 4 mm
5	<b>DF25</b>	2 centring pins
6	<b>DF12774AL</b>	Closed end cap
7	<b>DFSA121</b>	Slab water drainage profile

HOLE SPACING



\* The position of the first and last holes are given for information only.  
For specific requests, please contact Customer Care.



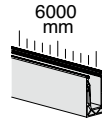
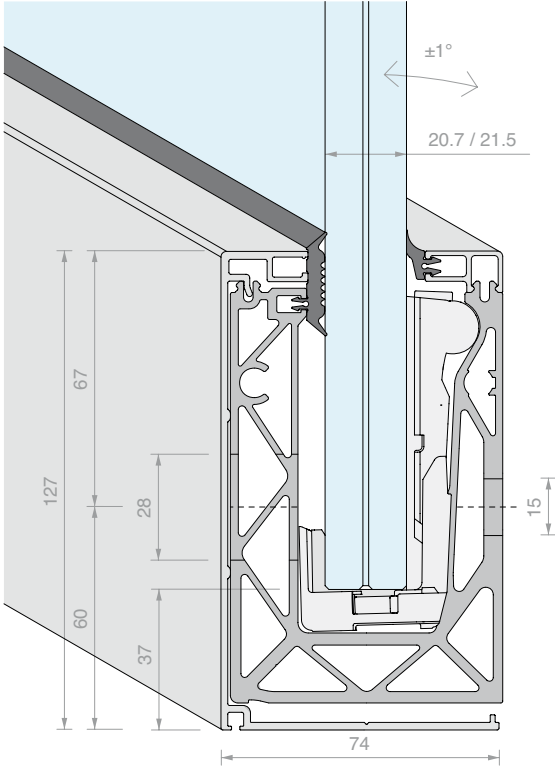
**DEFENDER 810MF KIT**

SLAB INSTALLATION

CONFIGURED FOR GLASS 10+10

Material: Aluminium

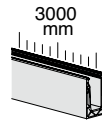
Finish: **R25**



Kit comprising:

Art.	Description	Qty.
<b>DFP88G01.03</b>	Lip profile gasket	2 Pcs
<b>DFPG03.03</b>	Flat profile gasket	2 Pcs
<b>DFS15.60</b>	Finishing profile with drip guard	1 Pc
<b>DF100.60</b>	Upper snap-on finishing profile	1 Pc
<b>DF2121MR</b>	810 clamps for glass 10+10	24 Pcs
<b>DF810MF.60</b>	Single-sided slab profile	1 Pc

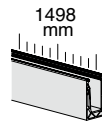
Art.	Length	Qty
<b>DF810MF21KIT.60</b>	<b>6000 mm</b>	<b>1 Pc</b>



Kit comprising:

Art.	Description	Qty.
<b>DFP88G01.03</b>	Lip profile gasket	1 Pc
<b>DFPG03.03</b>	Flat profile gasket	1 Pc
<b>DFS15.30</b>	Finishing profile with drip guard	1 Pc
<b>DF100.30</b>	Upper snap-on finishing profile	1 Pc
<b>DF2121MR</b>	810 clamps for glass 10+10	12 Pcs
<b>DF810MF.30</b>	Single-sided slab profile	1 Pc

Art.	Length	Qty
<b>DF810MF21KIT.30</b>	<b>3000 mm</b>	<b>1 Pc</b>



Kit comprising:

Art.	Description	Qty.
<b>DFP88G01</b>	Lip profile gasket	1.5 m
<b>DFPG03</b>	Flat profile gasket	1.5 m
<b>DFS15.15</b>	Finishing profile with drip guard	1 Pc
<b>DF100.15</b>	Upper snap-on finishing profile	1 Pc
<b>DF2121MR</b>	810 clamps for glass 10+10	6 Pcs
<b>DF810MF.15</b>	Single-sided slab profile	1 Pc

Art.	Length	Qty
<b>DF810MF21KIT.15</b>	<b>1498 mm</b>	<b>1 Pc</b>

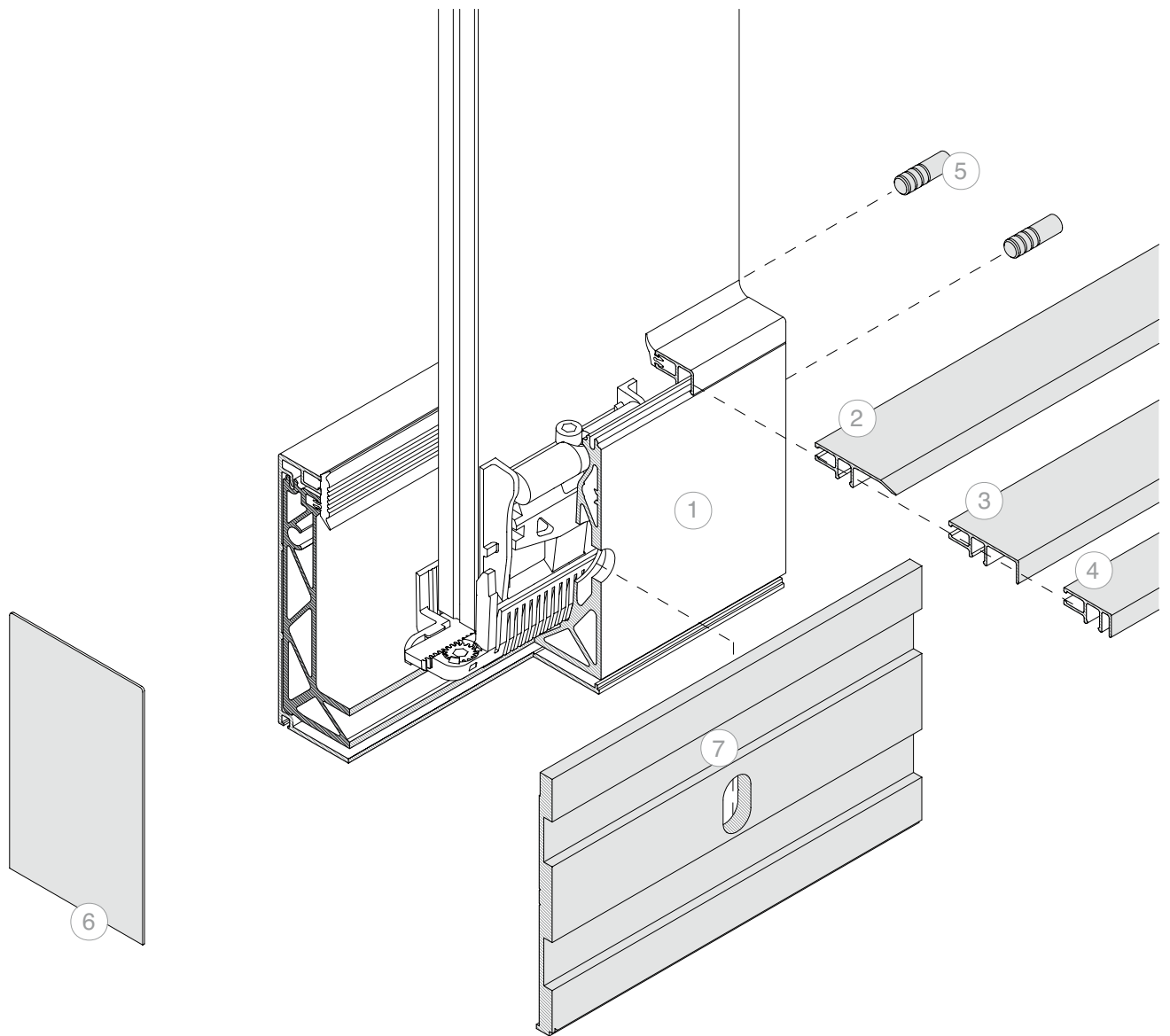
**MODULAR CLAMPS for DEFENDER810MR**

DEFENDER810MR clamps are designed to permit two configurations: 8+8 panes of glass using an adjustable adaptor, and 10+10 panes of glass without the thickness adaptors.

Clamp kit provided with adjustment tool DFUT01

**DF1721MR**  
 This model of clamp is already configured for 8+8 panes of glass. It uses the thickness adaptors.  
**Reversible configuration**  
 The clamp can be reversed by removing the thickness adaptors. It adapts to 10+10 panes of glass.

**DF2121MR**  
 This model of clamp is already configured for 10+10 panes of glass. It does not use the thickness adaptors.  
**Reversible configuration**  
 The clamp can be reversed. Order the thickness adaptors separately and insert them to adapt to 8+8 panes of glass.



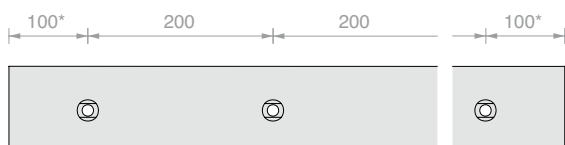
No. Art.

1 **DF810MF21KIT**

Optional:

No.	Art.	Description
2	<b>DF101</b>	Snap-on threshold profile
3	<b>DF216</b>	Profile for front cladding insertion of max. thickness 16 mm
4	<b>DF204</b>	Profile for front cladding insertion of max. thickness 4 mm
5	<b>DF25</b>	2 centring pins
6	<b>DF12774AL</b>	Closed end cap
7	<b>DFSA121</b>	Slab water drainage profile

HOLE SPACING



\* The position of the first and last holes are given for information only. For specific requests, please contact Customer Care.



D'OLIVO  
★ ★ ★ ★ ★

D'OLIVO  
★ ★ ★ ★ ★



  
D'OLIVO  
\*\*\*\*\*




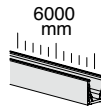
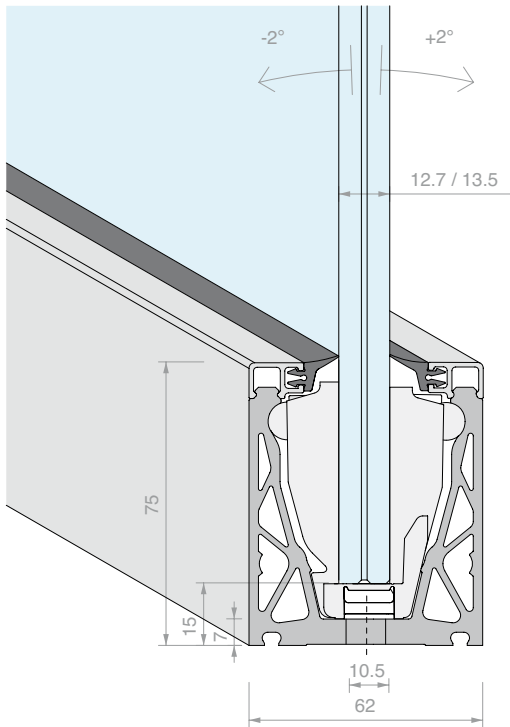
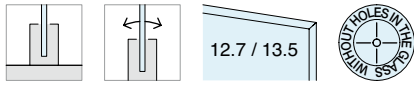
**DEFENDER XP KIT**

FLOOR INSTALLATION

CONFIGURED FOR GLASS 6+6

Material: Aluminium

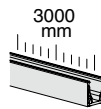
Finish: 



Kit comprising:

Art.	Description	Qty.
<b>DFP15G01.03</b>	Lip profile gasket	2 Pcs
<b>DFP88G01.03</b>	Lip profile gasket	2 Pcs
<b>DFP100.60</b>	Upper snap-on finishing profile	2 Pcs
<b>DFXP135</b>	XP clamps for glass 6+6	24 Pcs
<b>DFXP88.60</b>	Floor profile	1 Pc

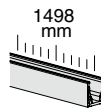
Art.	Length	Qty
<b>DF66XPKIT.60</b>	<b>6000 mm</b>	<b>1 Pc</b>



Kit comprising:

Art.	Description	Qty.
<b>DFP15G01.03</b>	Lip profile gasket	1 Pc
<b>DFP88G01.03</b>	Lip profile gasket	1 Pc
<b>DFP100.30</b>	Upper snap-on finishing profile	2 Pcs
<b>DFXP135</b>	XP clamps for glass 6+6	12 Pcs
<b>DFXP88.30</b>	Floor profile	1 Pc

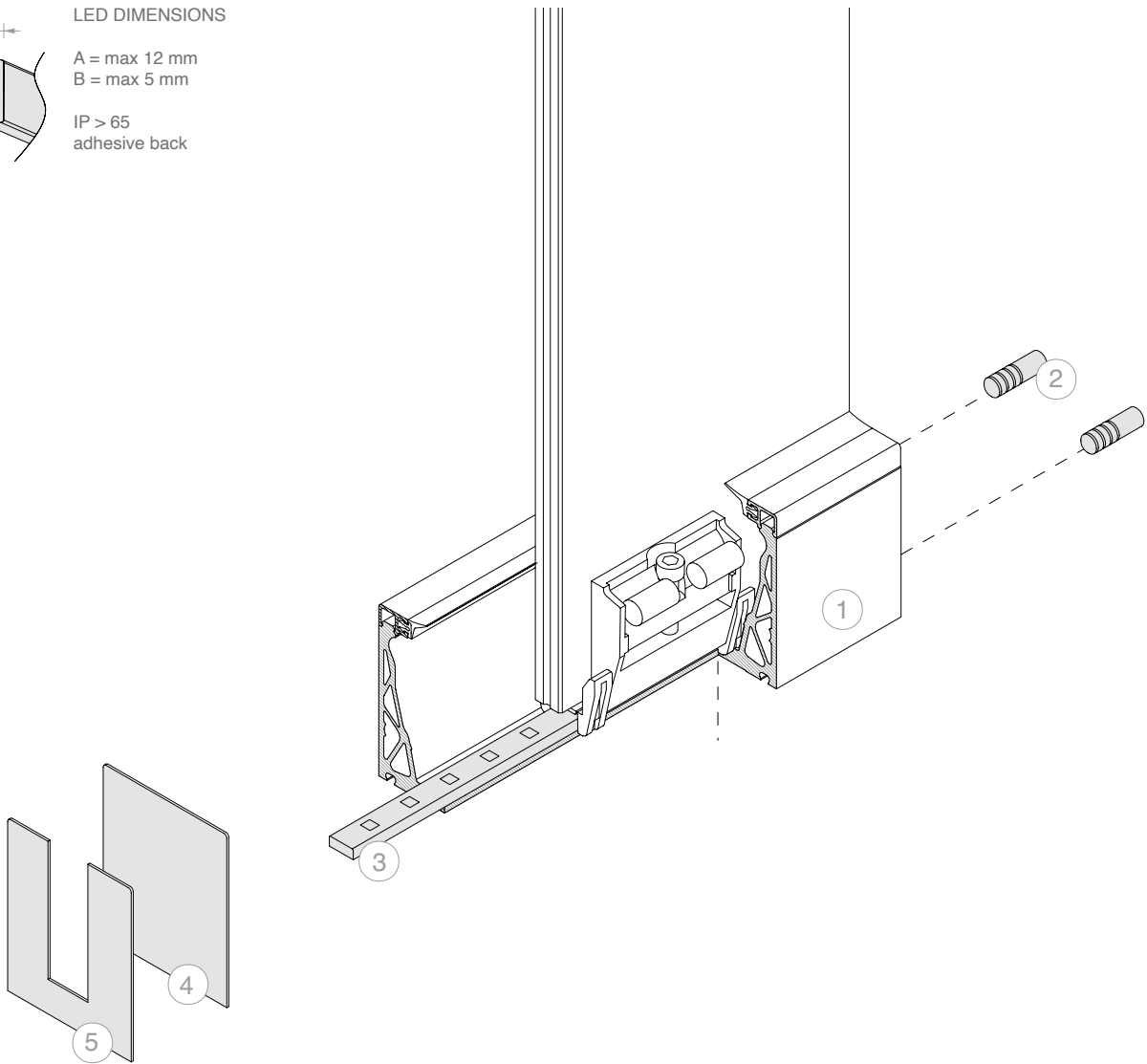
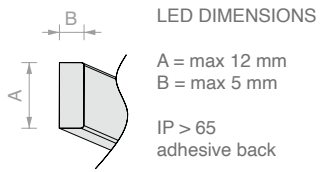
Art.	Length	Qty
<b>DF66XPKIT.30</b>	<b>3000 mm</b>	<b>1 Pc</b>



Kit comprising:

Art.	Description	Qty.
<b>DFP15G01</b>	Lip profile gasket	1.5 m
<b>DFP88G01</b>	Lip profile gasket	1.5 m
<b>DFP100.15</b>	Upper snap-on finishing profile	2 Pcs
<b>DFXP135</b>	XP clamps for glass 6+6	6 Pcs
<b>DFXP88.15</b>	Floor profile	1 Pc

Art.	Length	Qty
<b>DF66XPKIT.15</b>	<b>6000 mm</b>	<b>1 Pc</b>

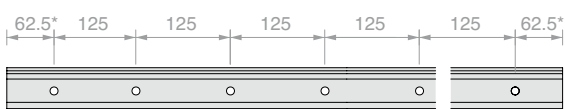


No.	Art.
1	<b>DF66XPKIT</b>

Optional:

No.	Art.	Description
2	<b>DF25</b>	2 centring pins
3	<b>LED</b>	LED strip for outdoor use
4	<b>DFP7562</b>	Closed end cap
5	<b>DFP7562U</b>	End cap with U-shaped opening

**HOLE SPACING**



\* The position of the first and last holes are given for information only. For specific requests, please contact Customer Care.



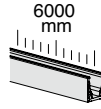
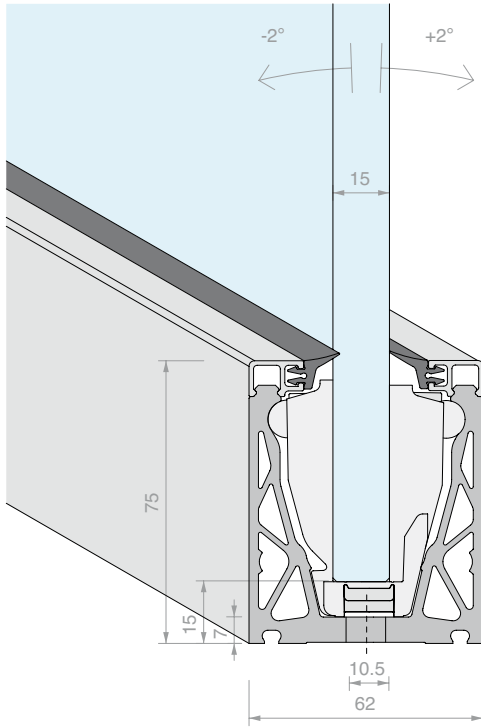
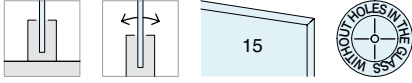
**DEFENDER XP KIT**

FLOOR INSTALLATION

CONFIGURED FOR GLASS 15

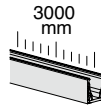
Material: Aluminium

Finish: **R25**



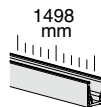
Kit comprising:

Art.	Description	Qty.
<b>DFP15G01.03</b>	Lip profile gasket	2 Pcs
<b>DFP88G01.03</b>	Lip profile gasket	2 Pcs
<b>DFP100.60</b>	Upper snap-on finishing profile	2 Pcs
<b>DFP150</b>	XP clamps for glass 15 mm	24 Pcs
<b>DFXP88.60</b>	Floor profile	1 Pc
Art.	Length	Qty
<b>DF15XPKIT.60</b>	<b>6000 mm</b>	<b>1 Pc</b>



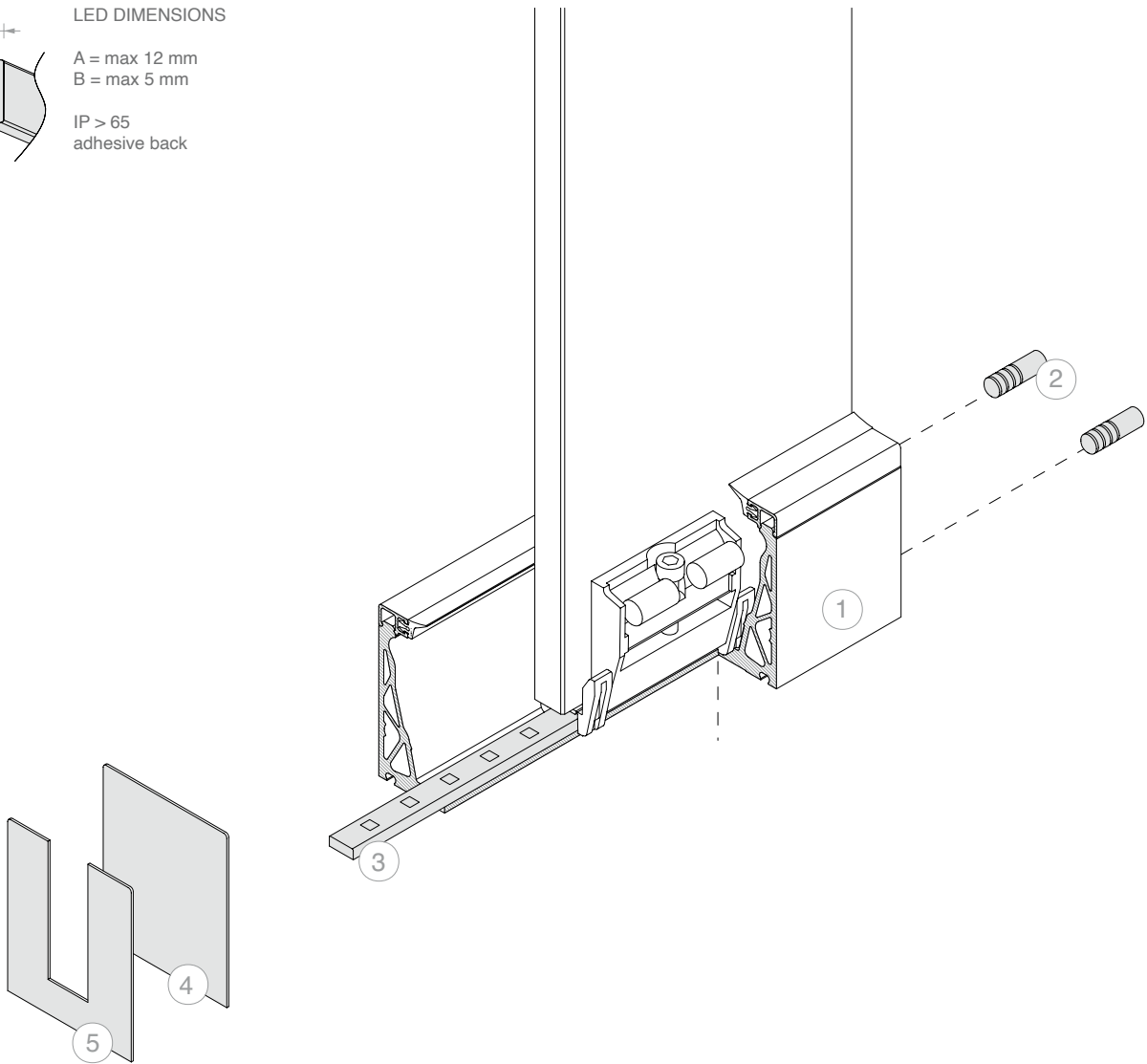
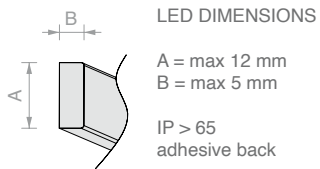
Kit comprising:

Art.	Description	Qty.
<b>DFP15G01.03</b>	Lip profile gasket	1 Pc
<b>DFP88G01.03</b>	Lip profile gasket	1 Pc
<b>DFP100.30</b>	Upper snap-on finishing profile	2 Pcs
<b>DFP150</b>	XP clamps for glass 15 mm	12 Pcs
<b>DFXP88.30</b>	Floor profile	1 Pc
Art.	Length	Qty
<b>DF15XPKIT.30</b>	<b>3000 mm</b>	<b>1 Pc</b>



Kit comprising:

Art.	Description	Qty.
<b>DFP15G01</b>	Lip profile gasket	1.5 m
<b>DFP88G01</b>	Lip profile gasket	1.5 m
<b>DFP100.15</b>	Upper snap-on finishing profile	2 Pcs
<b>DFP150</b>	XP clamps for glass 15 mm	6 Pcs
<b>DFXP88.15</b>	Floor profile	1 Pc
Art.	Length	Qty
<b>DF15XPKIT.15</b>	<b>6000 mm</b>	<b>1 Pc</b>

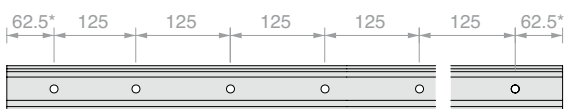


No.	Art.
1	<b>DF15XPKIT</b>

Optional:

No.	Art.	Description
2	<b>DF25</b>	2 centring pins
3	<b>LED</b>	LED strip for outdoor use
4	<b>DFP7562</b>	Closed end cap
5	<b>DFP7562U</b>	End cap with U-shaped opening

**HOLE SPACING**



\* The position of the first and last holes are given for information only. For specific requests, please contact Customer Care.



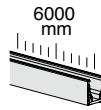
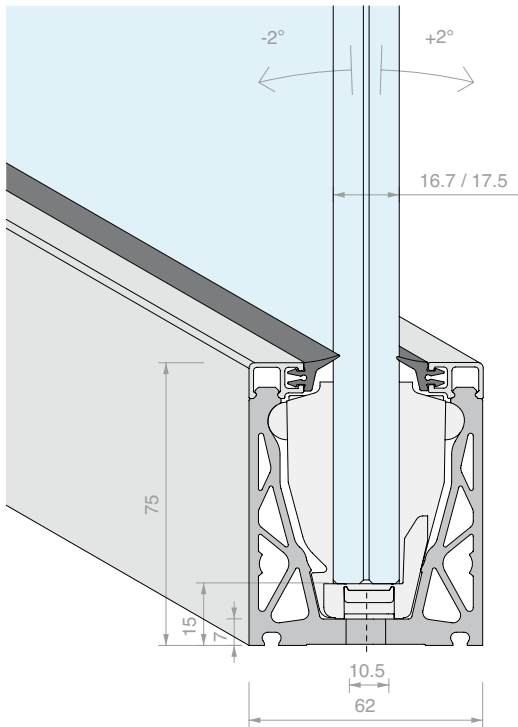
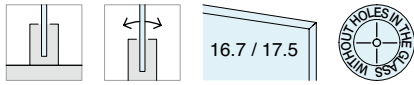
**DEFENDER XP KIT**

FLOOR INSTALLATION

CONFIGURED FOR GLASS 8+8

Material: Aluminium

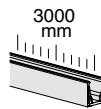
Finish: **R25**



Kit comprising:

Art.	Description	Qty.
<b>DFP88G01.03</b>	Lip profile gasket	4 Pcs
<b>DFP100.60</b>	Upper snap-on finishing profile	2 Pcs
<b>DFXP175</b>	XP clamps for glass 8+8	24 Pcs
<b>DFXP88.60</b>	Floor profile	1 Pc

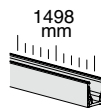
Art.	Length	Qty
<b>DF88XPKIT.60</b>	<b>6000 mm</b>	<b>1 Pc</b>



Kit comprising:

Art.	Description	Qty.
<b>DFP88G01.03</b>	Lip profile gasket	2 Pcs
<b>DFP100.30</b>	Upper snap-on finishing profile	2 Pcs
<b>DFXP175</b>	XP clamps for glass 8+8	12 Pcs
<b>DFXP88.30</b>	Floor profile	1 Pc

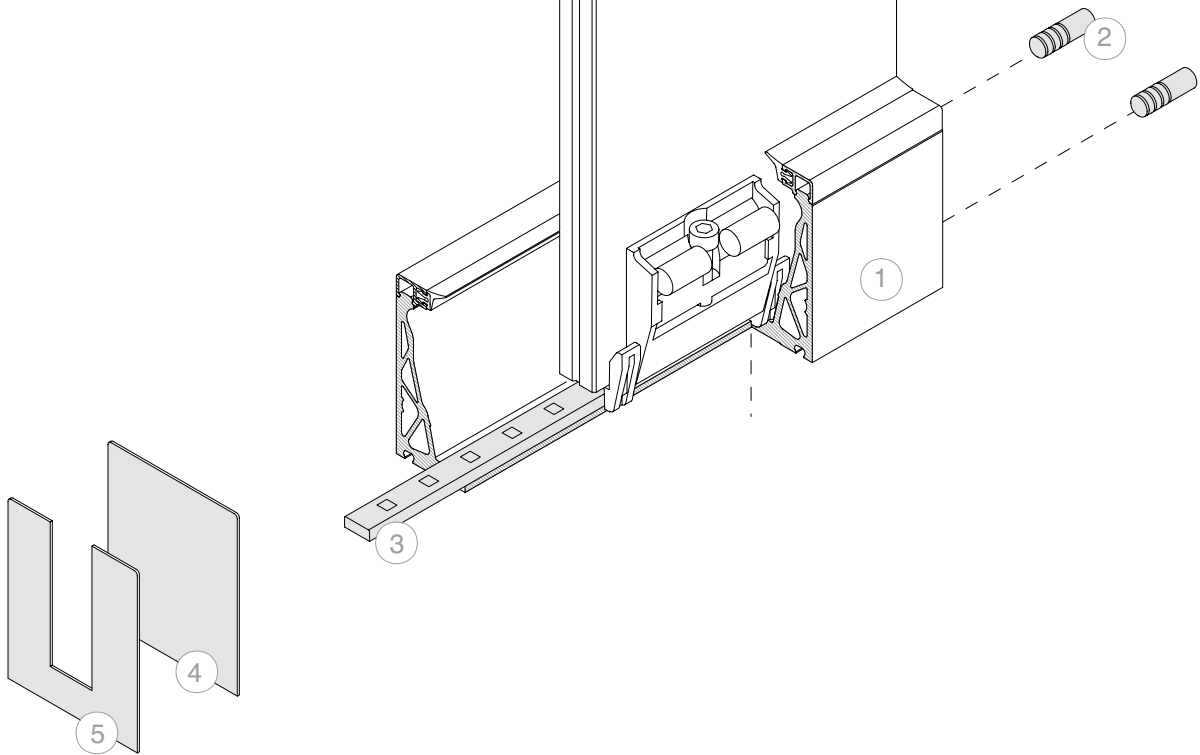
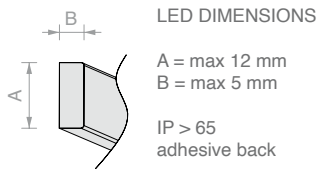
Art.	Length	Qty
<b>DF88XPKIT.30</b>	<b>3000 mm</b>	<b>1 Pc</b>



Kit comprising:

Art.	Description	Qty.
<b>DFP88G01.03</b>	Lip profile gasket	1 Pc
<b>DFP100.15</b>	Upper snap-on finishing profile	2 Pcs
<b>DFXP175</b>	XP clamps for glass 8+8	6 Pcs
<b>DFXP88.15</b>	Floor profile	1 Pc

Art.	Length	Qty
<b>DF88XPKIT.15</b>	<b>6000 mm</b>	<b>1 Pc</b>

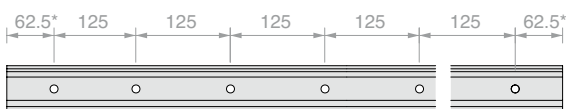


No.	Art.
1	<b>DF88XPKIT</b>

Optional:

No.	Art.	Description
2	<b>DF25</b>	2 centring pins
3	<b>LED</b>	LED strip for outdoor use
4	<b>DFP7562</b>	Closed end cap
5	<b>DFP7562U</b>	End cap with U-shaped opening

**HOLE SPACING**



\* The position of the first and last holes are given for information only. For specific requests, please contact Customer Care.



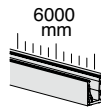
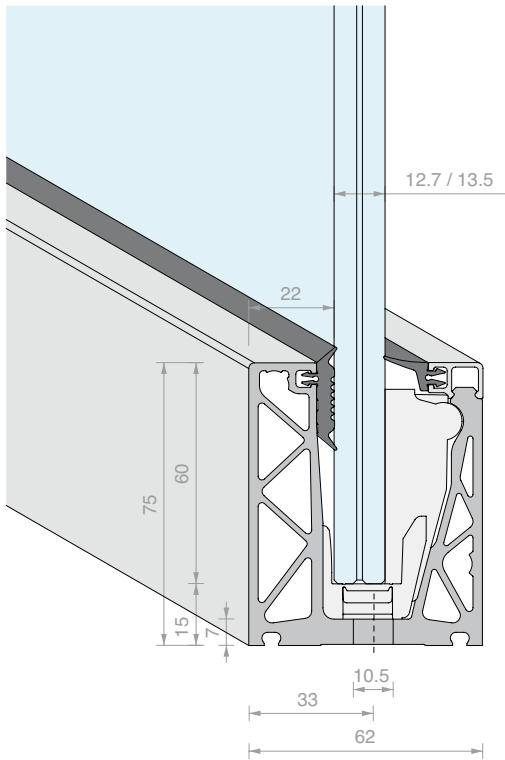
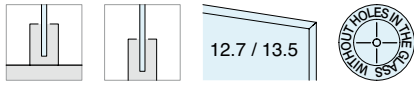
**DEFENDER PICO KIT**

FLOOR INSTALLATION

CONFIGURED FOR GLASS 6+6

Material: Aluminium

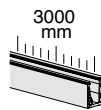
Finish: **R25**



Kit comprising:

Art.	Description	Qty.
<b>DFP15G01.03</b>	Lip profile gasket	2 Pcs
<b>DFPG03.03</b>	Flat profile gasket	2 Pcs
<b>DFP100.60</b>	Upper snap-on finishing profile	1 Pc
<b>DFP135</b>	PICO clamps for glass 6+6	24 Pcs
<b>DFP88.60</b>	Floor profile	1 Pc

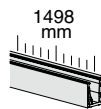
Art.	Length	Qty
<b>DF66PICOKIT.60</b>	<b>6000 mm</b>	<b>1 Pc</b>



Kit comprising:

Art.	Description	Qty.
<b>DFP15G01.03</b>	Lip profile gasket	1 Pc
<b>DFPG03.03</b>	Flat profile gasket	1 Pc
<b>DFP100.30</b>	Upper snap-on finishing profile	1 Pc
<b>DFP135</b>	PICO clamps for glass 6+6	12 Pcs
<b>DFP88.30</b>	Floor profile	1 Pc

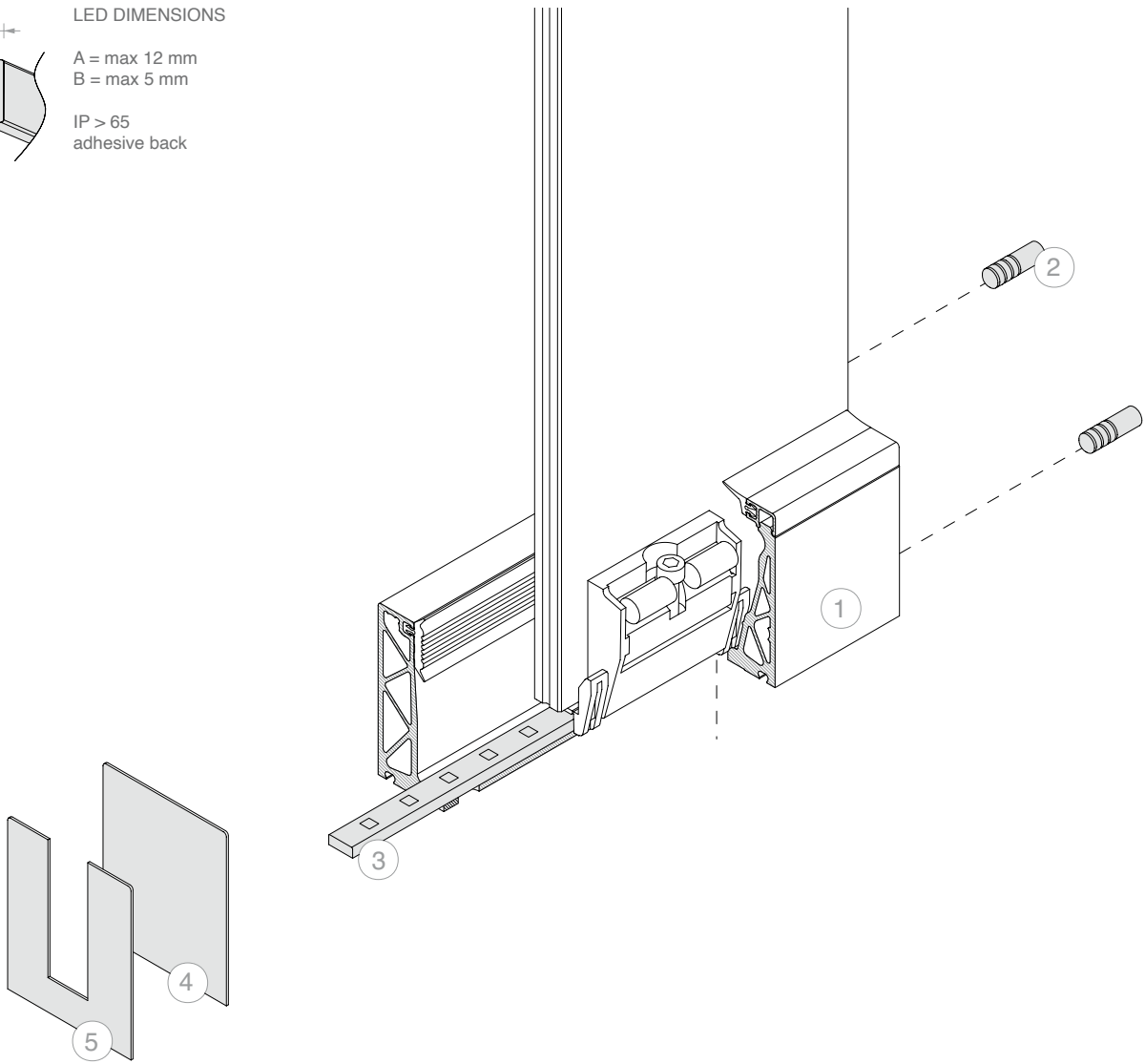
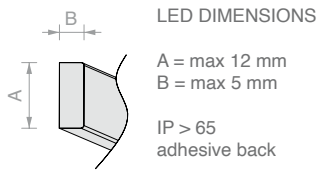
Art.	Length	Qty
<b>DF66PICOKIT.30</b>	<b>3000 mm</b>	<b>1 Pc</b>



Kit comprising:

Art.	Description	Qty.
<b>DFP15G01</b>	Lip profile gasket	1.5 m
<b>DFPG03</b>	Flat profile gasket	1.5 m
<b>DFP100.15</b>	Upper snap-on finishing profile	1 Pc
<b>DFP135</b>	PICO clamps for glass 6+6	6 Pcs
<b>DFP88.15</b>	Floor profile	1 Pc

Art.	Length	Qty
<b>DF66PICOKIT.15</b>	<b>1498 mm</b>	<b>1 Pc</b>

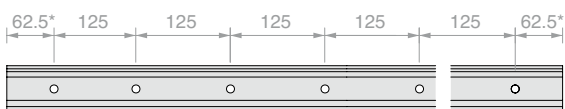


No.	Art.
1	<b>DF66PICOKIT</b>

Optional:

No.	Art.	Description
2	<b>DF25</b>	2 centring pins
3	<b>LED</b>	LED strip for outdoor use
4	<b>DFP7562</b>	Closed end cap
5	<b>DFP7562U</b>	End cap with U-shaped opening

**HOLE SPACING**



\* The position of the first and last holes are given for information only. For specific requests, please contact Customer Care.



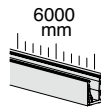
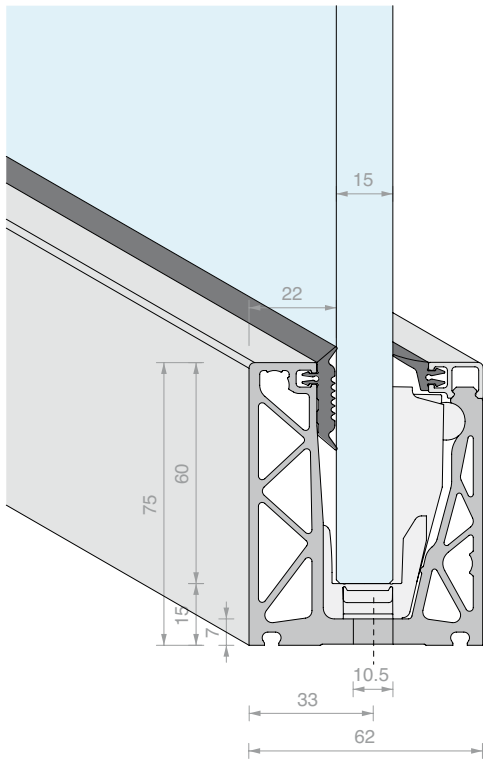
**DEFENDER PICO KIT**

FLOOR INSTALLATION

CONFIGURED FOR GLASS 15

Material: Aluminium

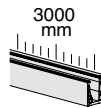
Finish: **R25**



Kit comprising:

Art.	Description	Qty.
<b>DFP15G01.03</b>	Lip profile gasket	2 Pcs
<b>DFPG03.03</b>	Flat profile gasket	2 Pcs
<b>DFP100.60</b>	Upper snap-on finishing profile	1 Pc
<b>DFP150</b>	PICO clamps for glass 15 mm	24 Pcs
<b>DFP88.60</b>	Floor profile	1 Pc

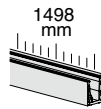
Art.	Length	Qty
<b>DF15PICOKIT.60</b>	<b>6000 mm</b>	<b>1 Pc</b>



Kit comprising:

Art.	Description	Qty.
<b>DFP15G01.03</b>	Lip profile gasket	1 Pc
<b>DFPG03.03</b>	Flat profile gasket	1 Pc
<b>DFP100.30</b>	Upper snap-on finishing profile	1 Pc
<b>DFP150</b>	PICO clamps for glass 15 mm	12 Pcs
<b>DFP88.30</b>	Floor profile	1 Pc

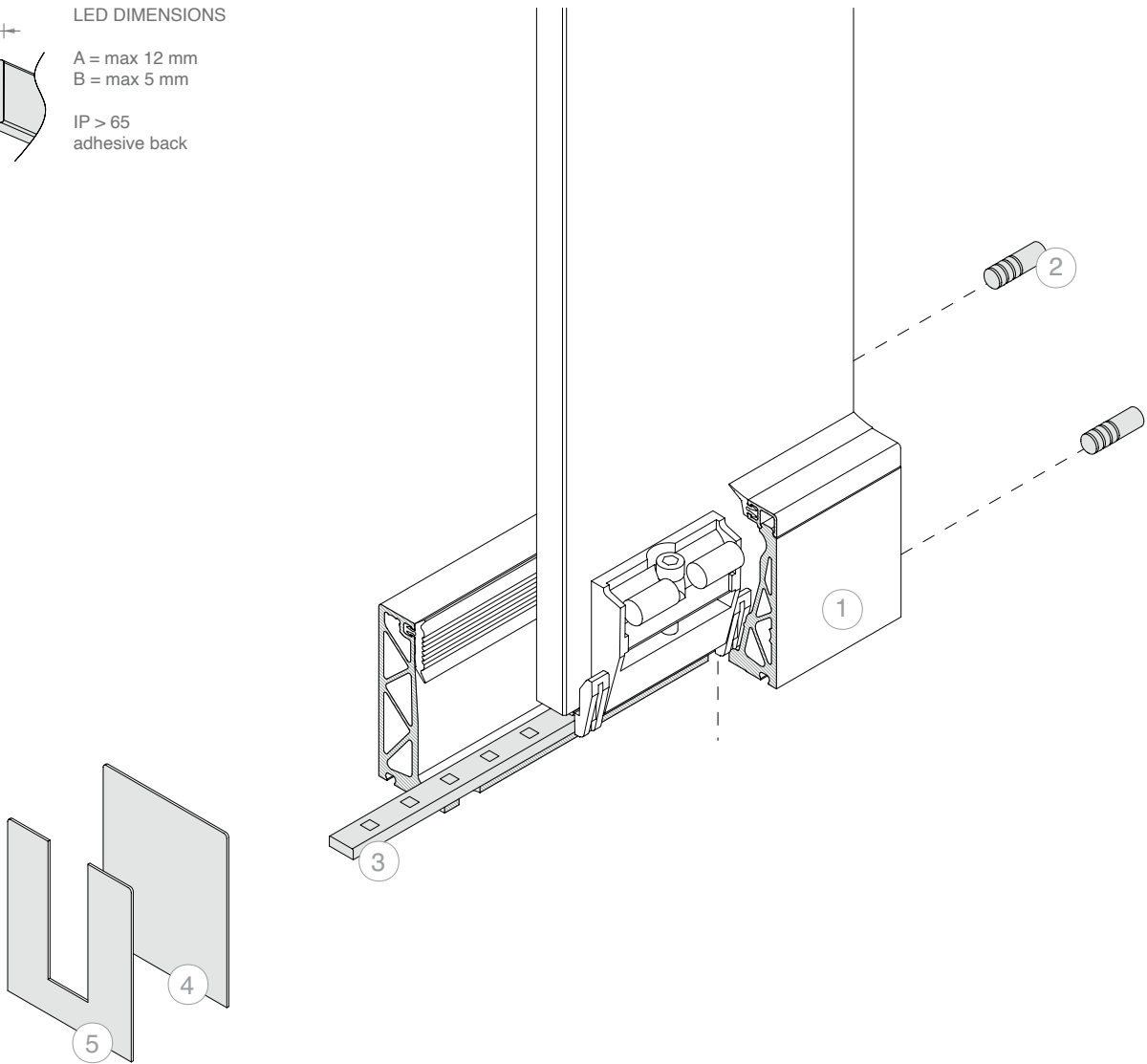
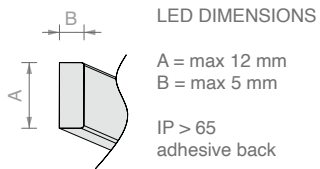
Art.	Length	Qty
<b>DF15PICOKIT.30</b>	<b>3000 mm</b>	<b>1 Pc</b>



Kit comprising:

Art.	Description	Qty.
<b>DFP15G01</b>	Lip profile gasket	1.5 m
<b>DFPG03</b>	Flat profile gasket	1.5 m
<b>DFP100.15</b>	Upper snap-on finishing profile	1 Pc
<b>DFP150</b>	PICO clamps for glass 15 mm	6 Pcs
<b>DFP88.15</b>	Floor profile	1 Pc

Art.	Length	Qty
<b>DF15PICOKIT.15</b>	<b>1498 mm</b>	<b>1 Pc</b>

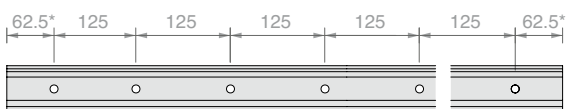


No.	Art.
1	<b>DF15PICOKIT</b>

Optional:

No.	Art.	Description
2	<b>DF25</b>	2 centring pins
3	<b>LED</b>	LED strip for outdoor use
4	<b>DFP7562</b>	Closed end cap
5	<b>DFP7562U</b>	End cap with U-shaped opening

**HOLE SPACING**



\* The position of the first and last holes are given for information only. For specific requests, please contact Customer Care.



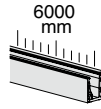
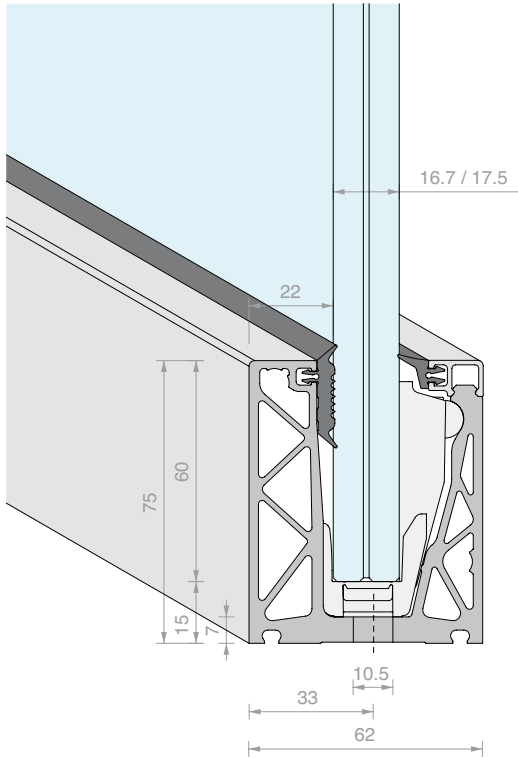
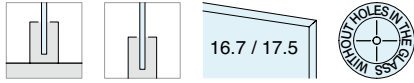
**DEFENDER PICO KIT**

FLOOR INSTALLATION

CONFIGURED FOR GLASS 8+8

Material: Aluminium

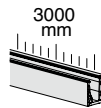
Finish: **R25**



Kit comprising:

Art.	Description	Qty.
<b>DFP88G01.03</b>	Lip profile gasket	2 Pcs
<b>DFPG03.03</b>	Flat profile gasket	2 Pcs
<b>DFP100.60</b>	Upper snap-on finishing profile	1 Pc
<b>DFP175</b>	PICO clamps for glass 8+8	24 Pcs
<b>DFP88.60</b>	Floor profile	1 Pc

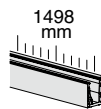
Art.	Length	Qty
<b>DF88PICOKIT.60</b>	<b>6000 mm</b>	<b>1 Pc</b>



Kit comprising:

Art.	Description	Qty.
<b>DFP88G01.03</b>	Lip profile gasket	1 Pc
<b>DFPG03.03</b>	Flat profile gasket	1 Pc
<b>DFP100.30</b>	Upper snap-on finishing profile	1 Pc
<b>DFP175</b>	PICO clamps for glass 8+8	12 Pcs
<b>DFP88.30</b>	Floor profile	1 Pc

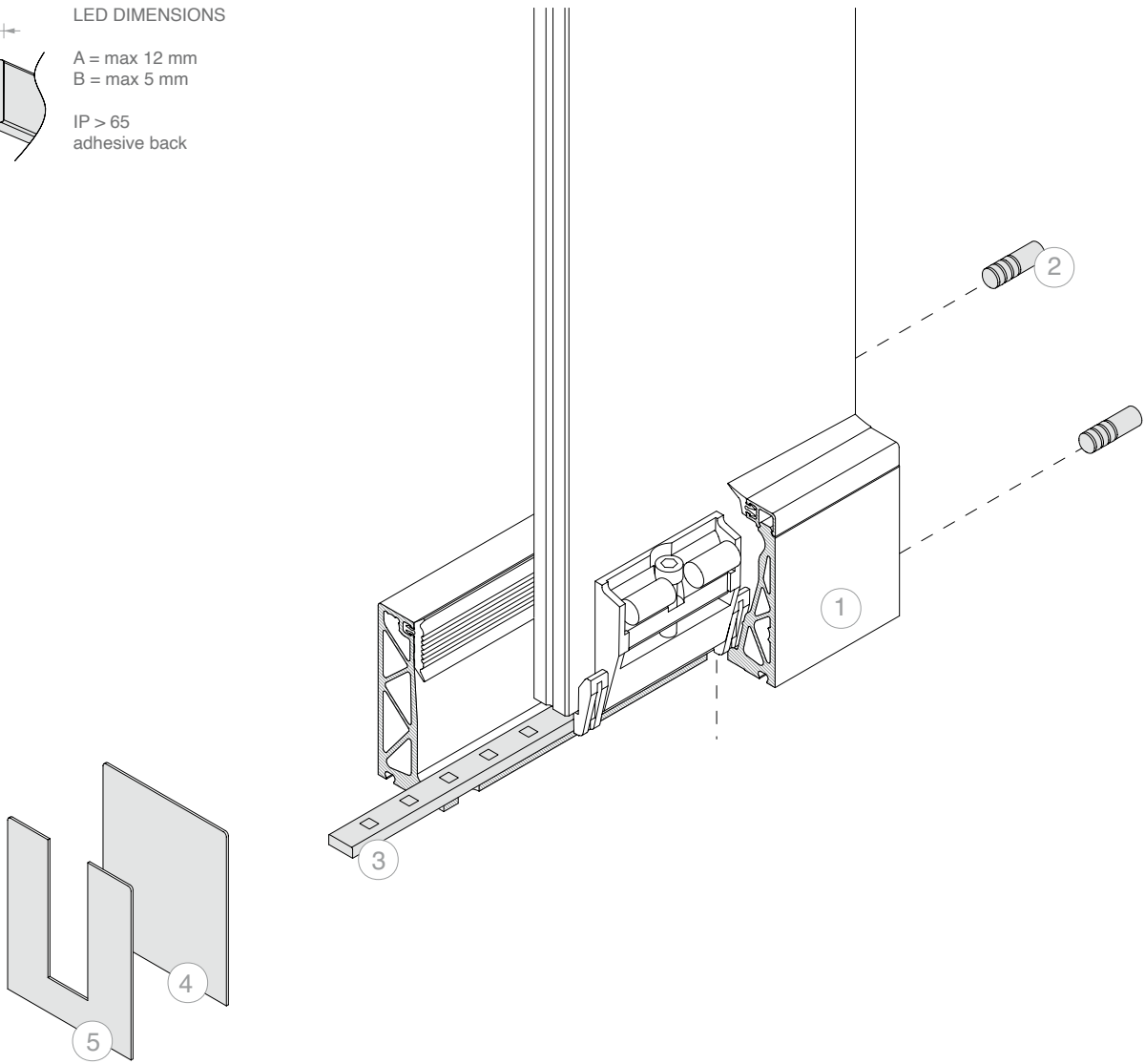
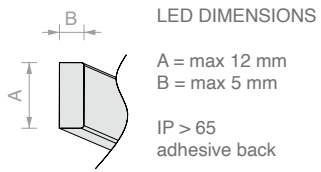
Art.	Length	Qty
<b>DF88PICOKIT.30</b>	<b>3000 mm</b>	<b>1 Pc</b>



Kit comprising:

Art.	Description	Qty.
<b>DFP88G01</b>	Lip profile gasket	1.5 m
<b>DFPG03</b>	Flat profile gasket	1.5 m
<b>DFP100.15</b>	Upper snap-on finishing profile	1 Pc
<b>DFP175</b>	PICO clamps for glass 8+8	6 Pcs
<b>DFP88.15</b>	Floor profile	1 Pc

Art.	Length	Qty
<b>DF88PICOKIT.15</b>	<b>1498 mm</b>	<b>1 Pc</b>

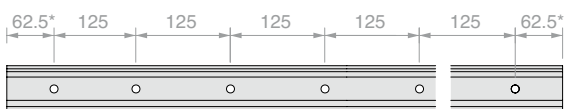


No. Art.  
1 **DF88PICOKIT**

Optional:

No.	Art.	Description
2	<b>DF25</b>	2 centring pins
3	<b>LED</b>	LED strip for outdoor use
4	<b>DFP7562</b>	Closed end cap
5	<b>DFP7562U</b>	End cap with U-shaped opening

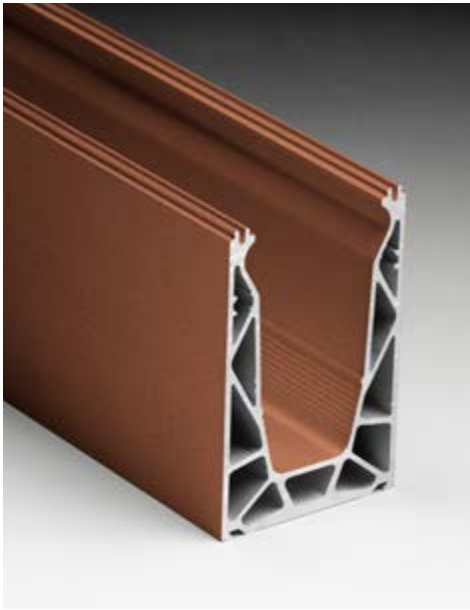
**HOLE SPACING**



\* The position of the first and last holes are given for information only.  
For specific requests, please contact Customer Care.





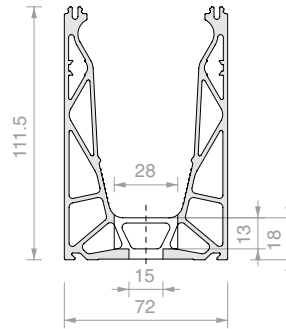


### DEFENDER 810 FLOOR PROFILE

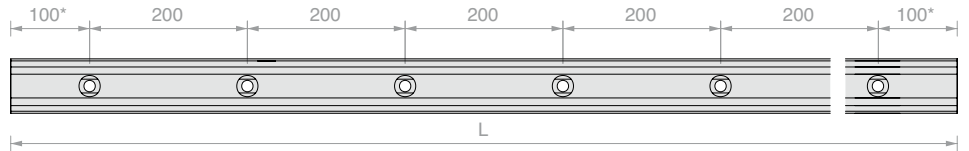
Material: Aluminium (6063-T6)

Finish: **R25**

\* The position of the first and last holes are given for information only. For specific requests, please contact Customer Care.



#### HOLE SPACING



Art.	L	Qty
<b>DF810LM.60</b>	<b>6000 mm</b>	<b>1 Pc</b>
<b>DF810LM.30</b>	<b>3000 mm</b>	<b>1 Pc</b>
<b>DF810LM.15</b>	<b>1498 mm</b>	<b>1 Pc</b>

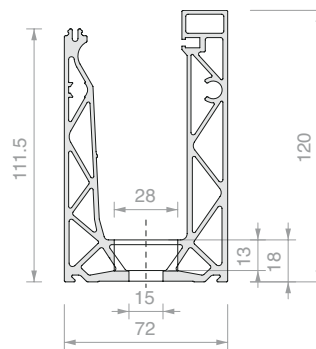


### SINGLE-SIDED DEFENDER 810 FLOOR PROFILE

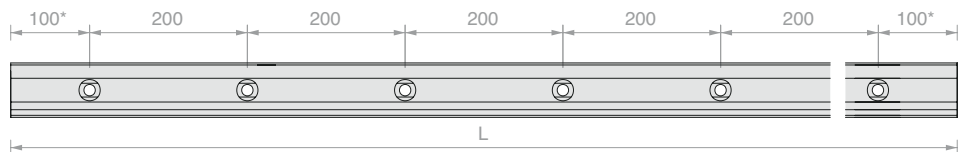
Material: Aluminium (6063-T6)

Finish: **R25**

\* The position of the first and last holes are given for information only. For specific requests, please contact Customer Care.



#### HOLE SPACING



Art.	L	Qty
<b>DF810MR.60</b>	<b>6000 mm</b>	<b>1 Pc</b>
<b>DF810MR.30</b>	<b>3000 mm</b>	<b>1 Pc</b>
<b>DF810MR.15</b>	<b>1498 mm</b>	<b>1 Pc</b>

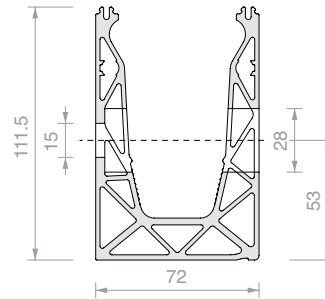


**DEFENDER 810 SLAB PROFILE**

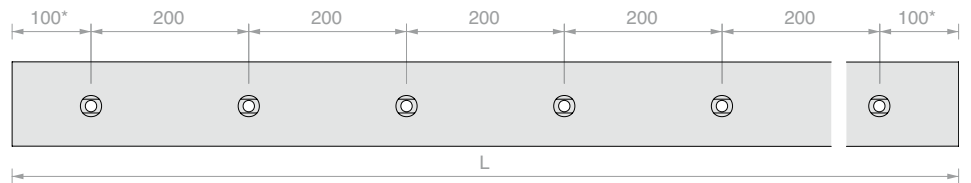
Material: Aluminium (6063-T6)

Finish: /10 /97

\* The position of the first and last holes are given for information only. For specific requests, please contact Customer Care.



**HOLE SPACING**



Art.	L	Qty
<b>DF810FR.60</b>	<b>6000 mm</b>	<b>1 Pc</b>
<b>DF810FR.30</b>	<b>3000 mm</b>	<b>1 Pc</b>
<b>DF810FR.15</b>	<b>1498 mm</b>	<b>1 Pc</b>

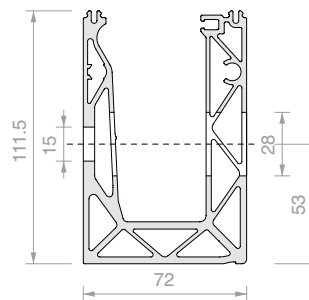


**SINGLE-SIDED DEFENDER 810 SLAB PROFILE**

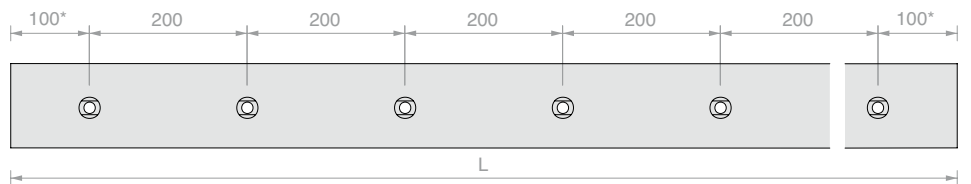
Material: Aluminium (6063-T6)

Finish: /10 /97

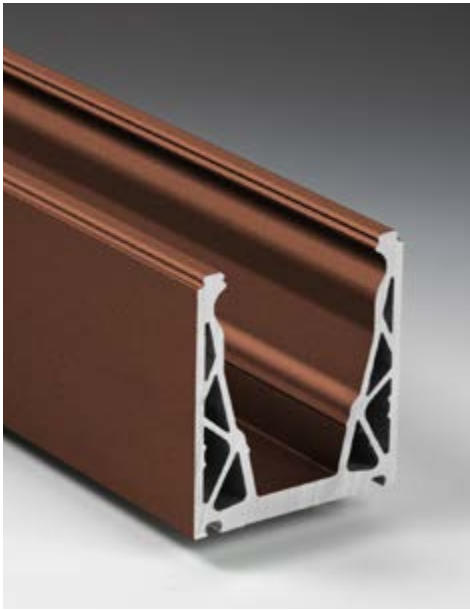
\* The position of the first and last holes are given for information only. For specific requests, please contact Customer Care.



**HOLE SPACING**



Art.	L	Qty
<b>DF810MF.60</b>	<b>6000 mm</b>	<b>1 Pc</b>
<b>DF810MF.30</b>	<b>3000 mm</b>	<b>1 Pc</b>
<b>DF810MF.15</b>	<b>1498 mm</b>	<b>1 Pc</b>

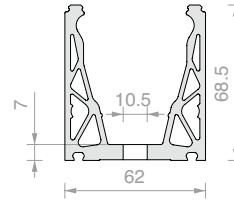


### DEFENDER XP FLOOR PROFILE

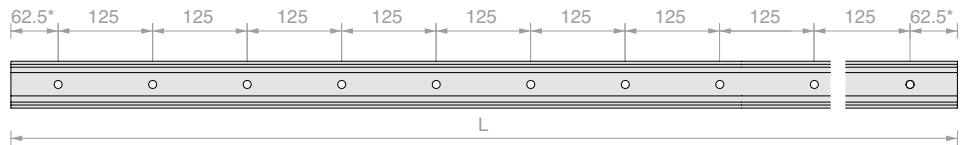
Material: Aluminium (6063-T6)

Finish: **R25**

\* The position of the first and last holes are given for information only. For specific requests, please contact Customer Care.



#### HOLE SPACING



Art.	L	Qty
<b>DFXP88.60</b>	<b>6000 mm</b>	1 Pc
<b>DFXP88.30</b>	<b>3000 mm</b>	1 Pc
<b>DFXP88.15</b>	<b>1498 mm</b>	1 Pc

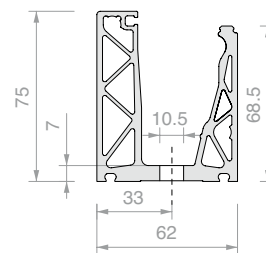


### SINGLE-SIDED DEFENDER PICO FLOOR PROFILE

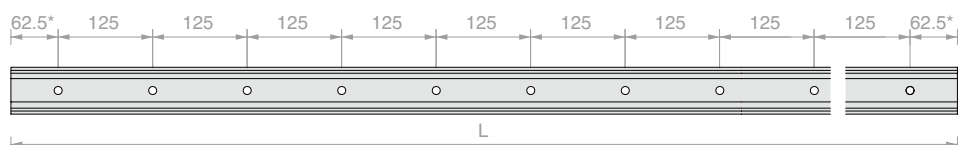
Material: Aluminium (6063-T6)

Finish: **R25**

\* The position of the first and last holes are given for information only. For specific requests, please contact Customer Care.



#### HOLE SPACING



Art.	L	Qty
<b>DFP88.60</b>	<b>6000 mm</b>	1 Pc
<b>DFP88.30</b>	<b>3000 mm</b>	1 Pc
<b>DFP88.15</b>	<b>1498 mm</b>	1 Pc



### DEFENDER 810 DOUBLE-SIDED ADJUSTABLE CLAMPS

Material: POM, Stainless steel

Clamp configured for glass 8+8 mm. It uses adapter plate DFAD17.

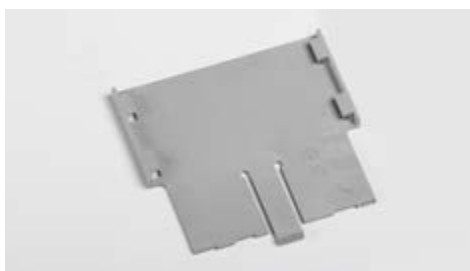
By removing the adaptor plate DFAD17, the clamp can be used for glass of 10+10 mm.

Art.	For glass	Quantity	Qty
<b>DF1721KIT6</b>	From 16.7 to 21.5 mm	6 clamps	1 Pc
<b>DF1721</b>	From 16.7 to 21.5 mm	1 clamp	1 Pc



This model of clamp is already configured for 10+10 panes of glass. It does not use the DFAD17 thickness adaptors.

Art.	For glass	Quantity	Qty
<b>DF2121KIT6</b>	From 20.7 to 21.5 mm	6 clamps	1 Pc
<b>DF2121</b>	From 20.7 to 21.5 mm	1 clamp	1 Pc



### 1 DEFENDER 810 THICKNESS ADAPTOR FOR DOUBLE-SIDED CLAMP

Material: POM

Art.	For glass	Quantity	Qty
<b>DFAD17</b>	From 16.7 to 17.5 mm		1 Pc



### SINGLE-SIDED ADJUSTABLE DEFENDER 810MR CLAMPS

Material: POM, Stainless steel

Clamp configured for glass 8+8 mm. It uses adaptor plate DFAD17MR.

By removing the adaptor plate DFAD17MR, the clamp can be used for glass of 10+10 mm.

Art.	For glass	Quantity	Qty
<b>DF1721MRKIT3</b>	From 16.7 to 21.5 mm	3 clamps	1 Pc
<b>DF1721MR</b>	From 16.7 to 21.5 mm	1 clamp	1 Pc



Clamp configured for 10+10 panes of glass. It does not use the adaptor DFAD17MR.

Art.	For glass	Quantity	Qty
<b>DF2121MRKIT3</b>	From 20.7 to 21.5 mm	3 clamps	1 Pc
<b>DF2121MR</b>	From 20.7 to 21.5 mm	1 clamp	1 Pc



### 1 DEFENDER 810MR THICKNESS ADAPTOR FOR SINGLE-SIDED CLAMP

Material: POM

Art.	For glass	Quantity	Qty
<b>DFAD17MR</b>	From 16.7 to 17.5 mm		1 Pc



### ADJUSTMENT TOOL DEFENDER 810MR FOR SINGLE-SIDED CLAMP

Material: POM

Art.	Quantity	Qty
<b>DFUT01</b>		1 Pc



**DEFENDER XP DOUBLE-SIDED ADJUSTABLE CLAMPS**

Material: POM, Grivory, Stainless steel

Art.	For glass	Quantity	Qty
<b>DFXP66KIT12</b>	From 12.7 to 13.5 mm	12 clamps	1 Pc
<b>DFXP15KIT12</b>	15 mm	12 clamps	1 Pc
<b>DFXP88KIT12</b>	From 16.7 to 17.5 mm	12 clamps	1 Pc
<b>DFXP135</b>	From 12.7 to 13.5 mm	1 clamp	1 Pc
<b>DFXP150</b>	15 mm	1 clamp	1 Pc
<b>DFXP175</b>	From 16.7 to 17.5 mm	1 clamp	1 Pc



**DEFENDER PICO SINGLE-SIDED CLAMPS**

Material: POM, Aluminium (DFP17) or Grivory, Stainless steel

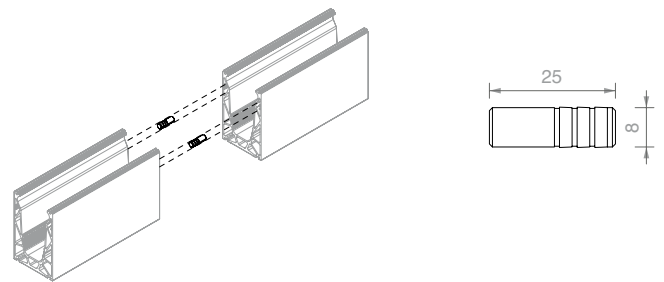
Art.	For glass	Quantity	Qty
<b>DFP66KIT12</b>	From 12.7 to 13.5 mm	12 clamps	1 Pc
<b>DFP15KIT12</b>	15 mm	12 clamps	1 Pc
<b>DFP88KIT12</b>	From 16.7 to 17.5 mm	12 clamps	1 Pc
<b>DFP135</b>	From 12.7 to 13.5 mm	1 clamp	1 Pc
<b>DFP150</b>	15 mm	1 clamp	1 Pc
<b>DFP175</b>	From 16.7 to 17.5 mm	1 clamp	1 Pc



**2 IN-LINE CENTRING PINS**

Material: Aluminium

Finish: aluminium



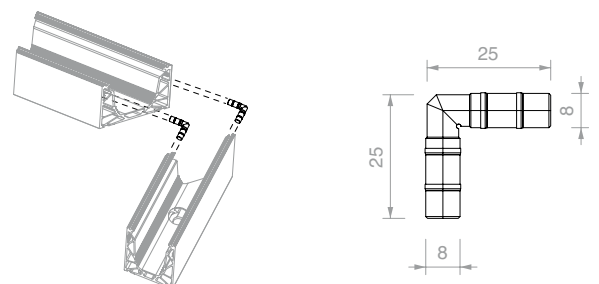
Art.	Qty
<b>DF25</b>	1 Pc



**2 X 90° CENTRING PINS**

Material: Grivory®

Finish: black

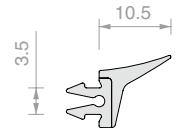


Art.	Qty
<b>DF2525</b>	1 Pc

**GASKET WITH SHORT LIP**

Material: TPE

Finish: /6 /97

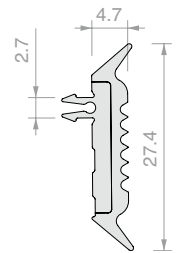


Art.	Package	Qty
<b>DFP88G01</b>		1 m
<b>DFP88G01.03</b>	3 m profile	1 Pc
<b>DFP88G01.60</b>	60 m roll	1 Pc

**FLAT GASKET**

Material: TPE

Finish: /6 /97

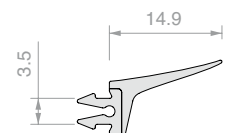


Art.	Package	Qty
<b>DFPG03</b>		1 m
<b>DFPG03.03</b>	3 m profile	1 Pc
<b>DFPG03.60</b>	60 m roll	1 Pc

**GASKET WITH LONG LIP**

Material: TPE

Finish: /6 /97



Art.	For glass	Package	Qty
<b>DFP15G01</b>	12.7 mm/13.5 mm/15 mm		1 m
<b>DFP15G01.03</b>	12.7 mm/13.5 mm/15 mm	3 m profile	1 Pc
<b>DFP15G01.60</b>	12.7 mm/13.5 mm/15 mm	60 m roll	1 Pc







**SNAP-ON FINISHING PROFILE FOR DEFENDER 810**

Material: Aluminium

Finish: **R25**

**Note:** For installation, apply silicone along the entire length of the profile.



Art.	Length	Qty
<b>DF100.60</b>	<b>6000 mm</b>	<b>1 Pc</b>
<b>DF100.30</b>	<b>3000 mm</b>	<b>1 Pc</b>
<b>DF100.15</b>	<b>1498 mm</b>	<b>1 Pc</b>

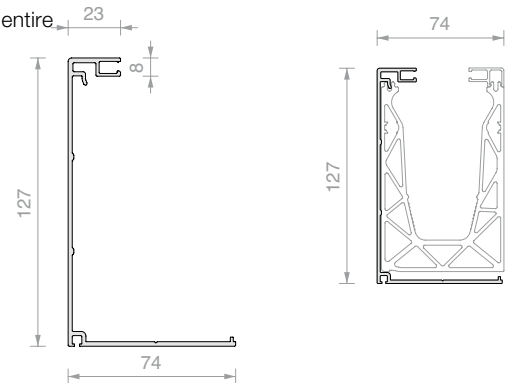


**SIDE AND LOWER FINISHING PROFILE WITH DRIP GUARD FOR DEFENDER 810FR, 810MF**

Material: Aluminium

Finish: **R25**

**Note:** For installation, apply silicone along the entire length of the profile.



Art.	Length	Qty
<b>DFS15.60</b>	<b>6000 mm</b>	<b>1 Pc</b>
<b>DFS15.30</b>	<b>3000 mm</b>	<b>1 Pc</b>
<b>DFS15.15</b>	<b>1498 mm</b>	<b>1 Pc</b>

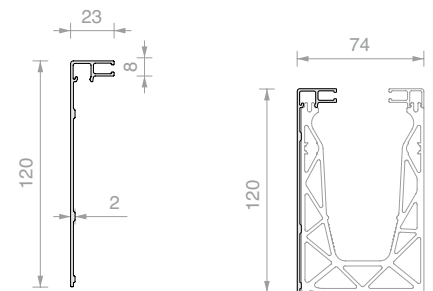


**SIDE SNAP-ON FINISHING PROFILE FOR THE DEFENDER 810 RANGE**

Material: Aluminium

Finish: **R25**

**Note:** For installation, apply silicone along the entire length of the profile.



Art.	Length	Qty
<b>DFS03.60</b>	<b>6000 mm</b>	<b>1 Pc</b>
<b>DFS03.30</b>	<b>3000 mm</b>	<b>1 Pc</b>
<b>DFS03.15</b>	<b>1498 mm</b>	<b>1 Pc</b>

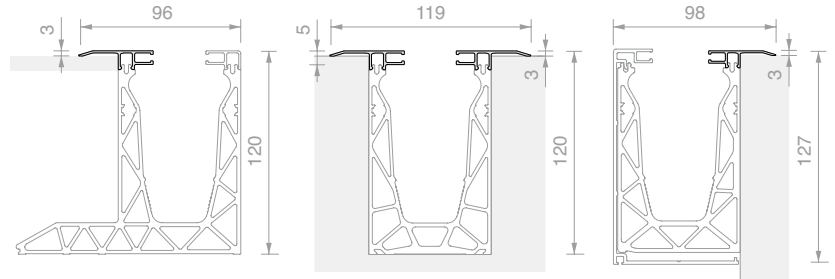
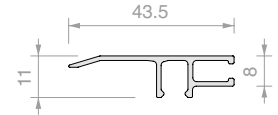


### SNAP-ON THRESHOLD FINISHING PROFILE FOR DEFENDER 810

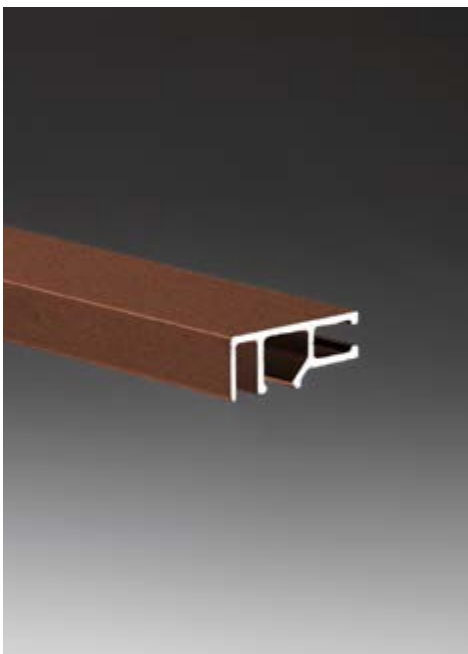
Material: Aluminium

Finish: R25

**Note:** For installation, apply silicone along the entire length of the profile.



Art.	Length	Qty
<b>DF101.60</b>	<b>6000 mm</b>	<b>1 Pc</b>
<b>DF101.30</b>	<b>3000 mm</b>	<b>1 Pc</b>
<b>DF101.15</b>	<b>1498 mm</b>	<b>1 Pc</b>

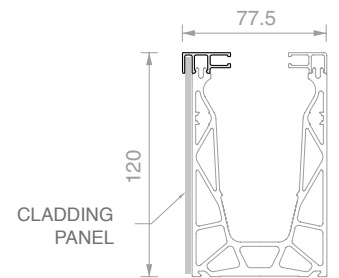
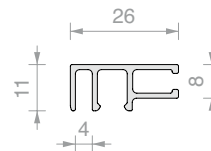


### SNAP-ON FINISHING PROFILE FOR FRONT 4 MM CLADDING INSERTION FOR DEFENDER 810

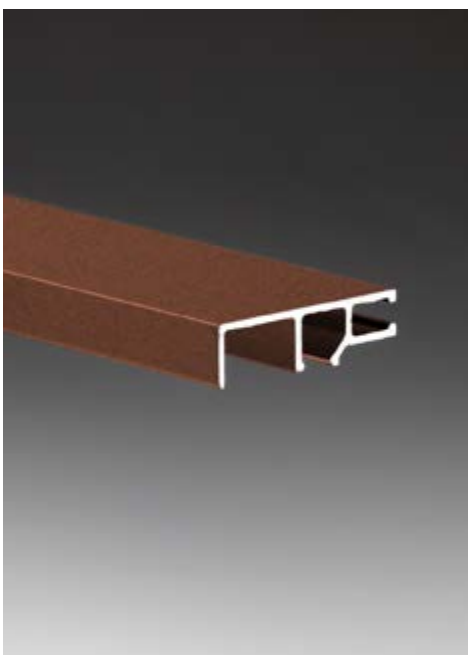
Material: Aluminium

Finish: R25

**Note:** For installation, apply silicone along the entire length of the profile.



Art.	Length	Qty
<b>DF204.60</b>	<b>6000 mm</b>	<b>1 Pc</b>
<b>DF204.30</b>	<b>3000 mm</b>	<b>1 Pc</b>
<b>DF204.15</b>	<b>1498 mm</b>	<b>1 Pc</b>

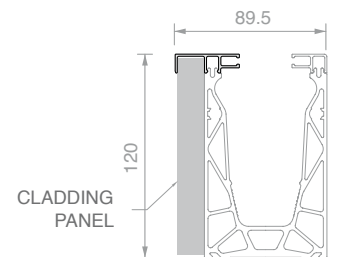
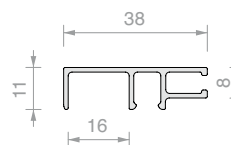


### SNAP-ON FINISHING PROFILE FOR FRONT 16 MM CLADDING INSERTION FOR DEFENDER 810

Material: Aluminium

Finish: R25

**Note:** For installation, apply silicone along the entire length of the profile.



Art.	Length	Qty
<b>DF216.60</b>	<b>6000 mm</b>	<b>1 Pc</b>
<b>DF216.30</b>	<b>3000 mm</b>	<b>1 Pc</b>
<b>DF216.15</b>	<b>1498 mm</b>	<b>1 Pc</b>



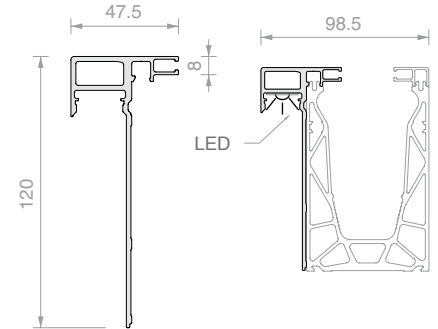
**FRONT SNAP-ON FINISHING PROFILE FOR INSERTING LEDS FOR DEFENDER 810**

Material: Aluminium

Finish: **R25**

**Note:** Supplied with 2 self-drilling screws Art. PENLVIT

For installation, apply silicone along the entire length of the profile.



Art.	Length	Qty
<b>DF147L.60</b>	<b>6000 mm</b>	<b>1 Pc</b>
<b>DF147L.30</b>	<b>3000 mm</b>	<b>1 Pc</b>
<b>DF147L.15</b>	<b>1498 mm</b>	<b>1 Pc</b>



**UPPER SNAP-ON FINISHING PROFILE FOR DEFENDER XP / PICO**

Material: Aluminium

Finish: **R25**

**Note:** For installation, apply silicone along the entire length of the profile.



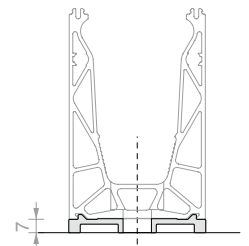
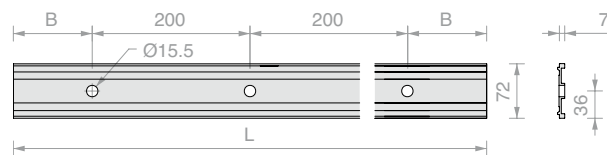
Art.	Length	Qty
<b>DFP100.60</b>	<b>6000 mm</b>	<b>1 Pc</b>
<b>DFP100.30</b>	<b>3000 mm</b>	<b>1 Pc</b>
<b>DFP100.15</b>	<b>1498 mm</b>	<b>1 Pc</b>



**WATER DRAINAGE PROFILE FOR DEFENDER 810LM / 810MR**

Material: Aluminium

Finish: **R25**




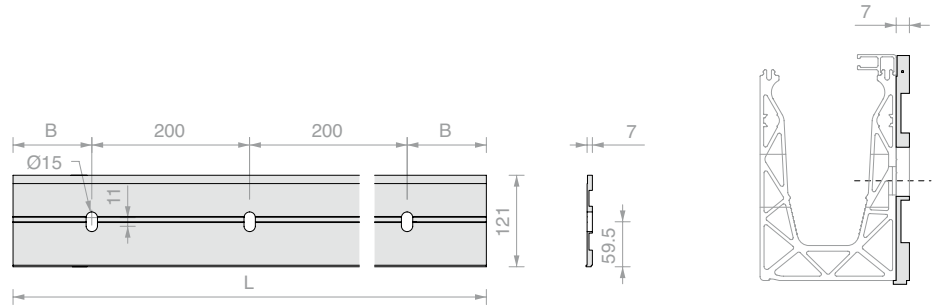
Art.	L	B	No. of holes	Qty
<b>DFA7260</b>	<b>6000 mm</b>	<b>100 mm</b>	<b>30</b>	<b>1 Pc</b>
<b>DFA7230</b>	<b>3000 mm</b>	<b>100 mm</b>	<b>15</b>	<b>1 Pc</b>
<b>DFA72054</b>	<b>540 mm</b>	<b>70 mm</b>	<b>3</b>	<b>1 Pc</b>



**WATER DRAINAGE PROFILE FOR DEFENDER 810FR / 810MF / 1212FR**

Material: Aluminium

Finish: 




Art.	L	B	No. of slots	Qty
<b>DFSA12160</b>	6000 mm	100 mm	30	1 Pc
<b>DFSA12130</b>	3000 mm	100 mm	15	1 Pc
<b>DFSA121054</b>	540 mm	70 mm	3	1 Pc

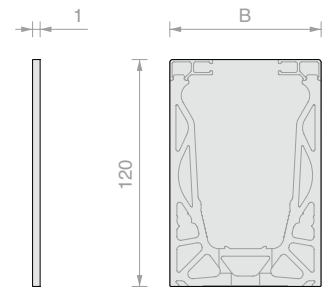


**CLOSED END CAP**

Material: Aluminium

Finish: 

**Note:** For installation, apply silicone to the entire surface of the cap.




Art.	B	For profiles	Qty
<b>DF12072AL</b>	72 mm	DF810LM - DF810MR	1 Pc

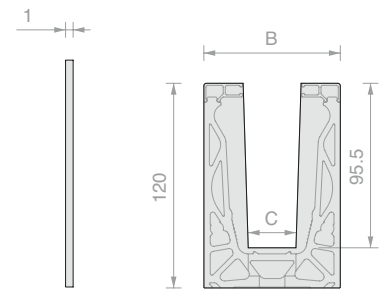


**END CAP WITH V-SHAPED OPENING**

Material: Aluminium

Finish: 

**Note:** For installation, apply silicone to the entire surface of the cap.



Art.	B	C	For profiles	Qty
<b>DF2TPAL</b>	72 mm	24 mm	DF810LM - DF810MR	1 Pc

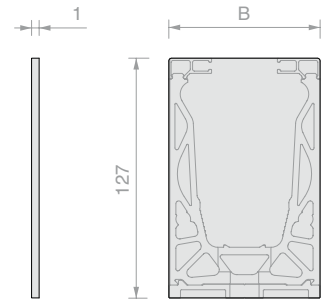


**CLOSED END CAP FOR PROFILE WITH DFA**

Material: Aluminium

Finish: **R25**

**Note:** For installation, apply silicone to the entire surface of the cap.



Art.	B	For profiles	Qty
<b>DF12772AL</b>	<b>72 mm</b>	DF810LM - DF810MR	1 Pc

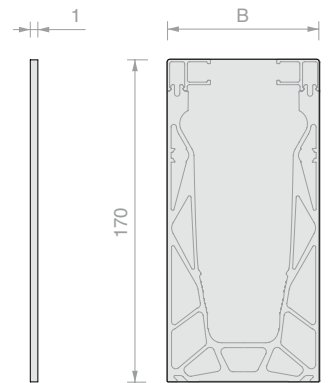


**CLOSED END CAP FOR INCLINED INSTALLATION**

Material: Aluminium

Finish: **R25**

**Note:** For installation, apply silicone to the entire surface of the cap.



Art.	B	For profiles	Qty
<b>DF17072AL</b>	<b>72 mm</b>	DF810LM - DF810MR	1 Pc

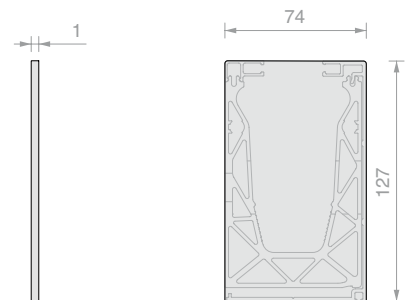


**CLOSED END CAP**

Material: Aluminium

Finish: **R25**

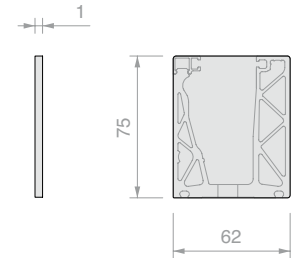
**Note:** For installation, apply silicone to the entire surface of the cap.



Art.	For profiles	Qty
<b>DF12774AL</b>	DF810FR	1 Pc

**CLOSED END CAP**

Material: Aluminium

Finish: **R25****Note:** For installation, apply silicone to the entire surface of the cap.

Art.

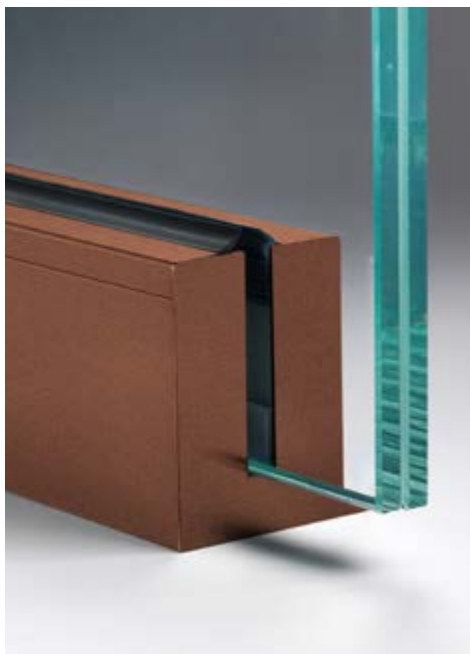
**DFP7562AL**

For profiles

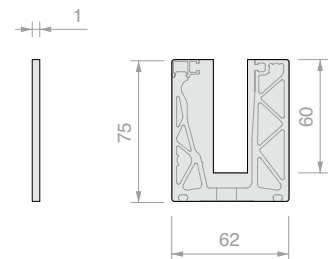
DFP88 - DFXP88

Qty

1 Pc

**END CAP WITH U-SHAPED OPENING**

Material: Aluminium

Finish: **R25****Note:** For installation, apply silicone to the entire surface of the cap.

Art.

**DFP7562UAL**

For profiles

DFP88 - DFXP88

Qty

1 Pc





**Logli Massimo S.p.A**  
Via Chemnitz, 49/51  
59100 Prato - Italy  
[www.sg-logli.it](http://www.sg-logli.it)

