

SAINT-GOBAIN LOGLI
GLASS SYSTEM TECHNOLOGY

GLASS SYSTEM TECHNOLOGY

Since 1989, Saint-Gobain Logli has been specialising in glass systems and accessories. These include balustrades, canopies, façades and many other solutions. Our certified, easy-to-install systems set a benchmark in terms of design and safety. Thanks to our expertise and the strength of the Saint-Gobain Group, we support our customers with technical assistance, training and tailored consultancy at every stage of the project and the construction site.





THE STRENGTH OF SAINT-GOBAIN LOGLI

P. 6 **THE STRENGTH OF A GLOBAL GROUP:**
SAINT-GOBAIN'S EXPERIENCE
AND RESEARCH

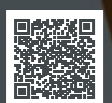
P. 8 **INNOVATION AND RESEARCH:**
TECHNICAL DEPARTMENT AND
LABORATORY TESTING

SYSTEMS FOR GLASS APPLICATIONS

- P. 12 BALUSTRADES
- P. 18 CANOPIES
- P. 20 SLIDING DOORS
- P. 24 CONTINUOUS FAÇADE SYSTEMS
- P. 26 GLASS PARTITIONS
AND HINGED DOORS
- P. 30 SHOWER SYSTEMS

DESIGN ACCESSORIES

- P. 36 HINGES
- P. 38 HANDLES AND LOCKING SYSTEMS
- P. 40 FIXINGS AND FINISHES



Shopville Gran Reno
Casalecchio di Reno (BO)

SAINT-GOBAIN
WORLDWIDE

80
COUNTRIES

TOP
100
MOST INNOVATIVE
COMPANIES IN THE WORLD

450
MILLION INVESTED IN
R&D IN THE LAST YEAR

42
PRODUCTION SITES

161.000
EMPLOYEES

400
PATENTS FILED
EVERY YEAR

**NET-ZERO
CARBON**
EMISSIONS TARGET
BY 2050

SAINT-GOBAIN IN ITALY

APPROXIMATELY
2.100
EMPLOYEES


SAINT-GOBAIN

THE STRENGTH OF A GLOBAL GROUP: SAINT-GOBAIN'S EXPERIENCE AND RESEARCH

As of 16 March 2018, Logli became part of the Saint-Gobain Group.

Saint-Gobain designs, manufactures and distributes for safe and comfortable living used in all areas of daily life: buildings, transport, infrastructure and numerous industrial applications.

With over 360 years of history, the Group offers next-generation materials and integrated solutions aimed at making living spaces more comfortable and sustainable, contributing to people's well-being and the protection of the planet. Saint-Gobain positions itself as a global benchmark for the efficient use of natural resources, fully respecting the environment.

**SAINT-GOBAIN LOGLI INNOVATION AND RESEARCH:
TECHNICAL DEPARTMENT AND LABORATORY TESTING.**

THANKS TO OUR IN-HOUSE LABORATORY AND A TEAM OF SPECIALISED ENGINEERS, WE ARE ABLE TO DESIGN AND MANUFACTURE CUSTOMISED SOLUTIONS. THE SKILLS AND EXPERIENCE OF OUR STAFF ALLOW US TO PROVIDE HIGH-LEVEL TECHNICAL CONSULTANCY AND TO DELIVER PROFESSIONAL TRAINING COURSES FOR OUR CUSTOMERS.



“ Since 2010, we have been working in close partnership with several universities and research institutes to develop and continuously enhance our testing laboratory. Today, we rely on state-of-the-art equipment to carry out a wide range of specific tests on glass structures and fixing accessories. Our tests are then validated by independent international institutes such as TÜV, CSTB in Paris, LSL in Munich and the Politecnico di Milano. ”

SYSTEMS FOR GLASS APPLICATIONS

BALUSTRADES
CANOPIES
SLIDING DOORS
CONTINUOUS FAÇADE SYSTEMS
GLASS PARTITIONS AND
HINGED DOORS
SHOWER SYSTEMS



Nuvola di Geo S.r.l.
San Cesareo (RM)



SUSTAINABILITY



PERFORMANCE



TEST REPORT



DEFENDER 810LM GLASS
BALUSTRADE SYSTEM



Borgo Santandrea
Amalfi (SA)

BALUSTRADE SYSTEMS

ELEGANT GLASS SOLUTIONS COMBINING ABSOLUTE SAFETY AND STRENGTH WITH THE DISTINCTIVE AESTHETIC AND FUNCTIONAL QUALITIES OF GLASS: TRANSPARENCY, REDUCED THICKNESS AND THE ABILITY TO BLEND HARMONIOUSLY INTO ANY ARCHITECTURAL CONTEXT.



DEFENDER PROFILE BALUSTRADE SYSTEMS

An elegant, minimalist profile which, thanks to its base-only fixing system, allows the installation of glass balustrades with no visual interruptions or barriers, ensuring the highest level of protection without compromising visual impact, and with outstanding speed and ease of installation. DEFENDER balustrade systems are designed for installation in both public and private spaces where maximum safety and perfect visibility are required.

COLUMNS BALUSTRADE SYSTEMS

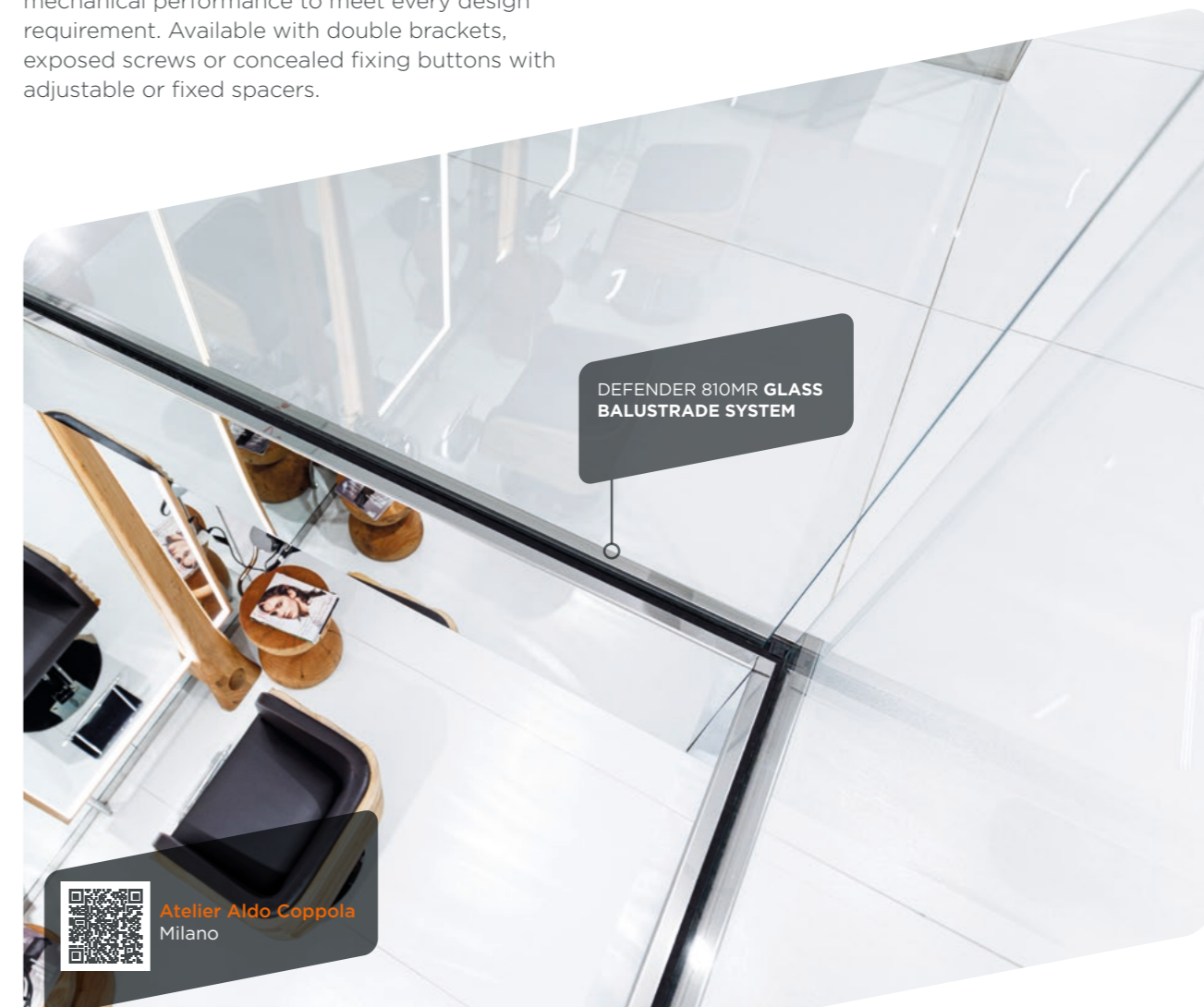
Posts combine aesthetic appeal with outstanding strength, even in the most demanding environments, thanks to the use of AISI 316 stainless steel.

BALUSTRADE ACCESSORIES

Structural handrails, finishing profiles, decorative lighting and many other accessories for extensive balustrade customisation.

POINT-FIXING BALUSTRADE SYSTEMS

A complete range of point-fixing systems with high mechanical performance to meet every design requirement. Available with double brackets, exposed screws or concealed fixing buttons with adjustable or fixed spacers.



DEFENDER 810MR GLASS
BALUSTRADE SYSTEM



Atelier Aldo Coppola
Milano

DEFENDER 810MR GLASS
BALUSTRADE SYSTEM

The DEFENDER profile makes complex installations simple thanks to its fast and user-friendly installation system. The advantages in terms of safety, elegance and minimalism allow the DEFENDER system to integrate seamlessly into all design environments that require transparency and refinement, ensuring maximum aesthetic impact.



Civico 45
Casamassima (BA)

DEFENDER 1010LM GLASS
BALUSTRADE SYSTEMS

The DEFENDER profile is the ideal solution for public venues dedicated to entertainment and **major sporting events**.

Thanks to the minimalist base-only fixing system, the vertical glass element remains perfectly continuous, **without intermediate profiles or drilled holes**. This ensures an uninterrupted view of the surrounding environment while simultaneously providing a high level of safety for spectators.



LA PENSILINA
CANOPY SYSTEMS

TESTED FOR LOADS
EXCEEDING
350 kg/m²

CANOPY SYSTEMS

DESIGN-DRIVEN SOLUTIONS DELIVERING OUTSTANDING STRUCTURAL PERFORMANCE. YOU CAN CHOOSE BETWEEN THE ELEGANCE OF A LOAD-BEARING PROFILE OR THE TECHNOLOGY OF EXPOSED TIE RODS. A WIDE RANGE OF DESIGN POSSIBILITIES, ALL SUPPORTED BY DETAILED TECHNICAL DOCUMENTATION, ENSURING COMFORT, AESTHETIC PERFORMANCE AND THE SAFETY OF A FULLY TESTED SYSTEM.

LA PENSILINA

A tie-rod-free and drill-free glass system, featuring a minimalist design that makes it suitable for any architectural context. Tested to withstand loads exceeding 350 kg/m², La Pensilina is the most resistant drill-free glass canopy system on the market and was the first to obtain the ETA (European Technical Assessment).

LUMIA

A tie-rod-free system offering versatile solutions, suitable for both single and continuous installations, with the possibility to create decorative and functional lighting effects to enhance comfort and ambience.

CANOPY LIGHT

A lightweight and reliable system with an industrial-inspired design. Thanks to its easiness in installation, it integrates seamlessly into all architectural contexts, with a projection of up to 1.5 metres and compact component dimensions.

GLASS CANOPY

With its timeless and striking design, Glass Canopy combines grandeur and refinement with projections of up to 2 metres. A system engineered to meet every design requirement, even the most complex ones.

GLASS CANOPY
CANOPY SYSTEMS

LM INTELAIATO
STRUCTURAL DOOR PANELS
WITH STRUCTURAL FRAMES
SYSTEMS

SLIDING DOOR SYSTEMS

LIGHTNESS, DESIGN AND MECHANICAL PRECISION REPRESENT THE IDEAL SOLUTION FOR INSTALLATIONS WITH SINGLE, DOUBLE OR MULTI-PANEL SLIDING DOORS, BOTH WALL AND CEILING-MOUNTED. THE SLIDING MECHANISM ENSURES PERFECT ALIGNMENT BETWEEN SLIDING AND FIXED GLASS PANELS.

LM SERIES

Available in framed systems or all-glass systems, the LM Series, thanks to its modular configuration, optimises space without compromising clean, minimalist lines. Dedicated accessories and constant technical support ensure application versatility and maximum adaptability to any architectural context.

ATRIVANT

A drag sliding glass enclosure system for terraces, verandas and outdoor areas, available with three, four or five tracks and soft-closing movement. Designed to combine maximum transparency with outstanding ease of use.



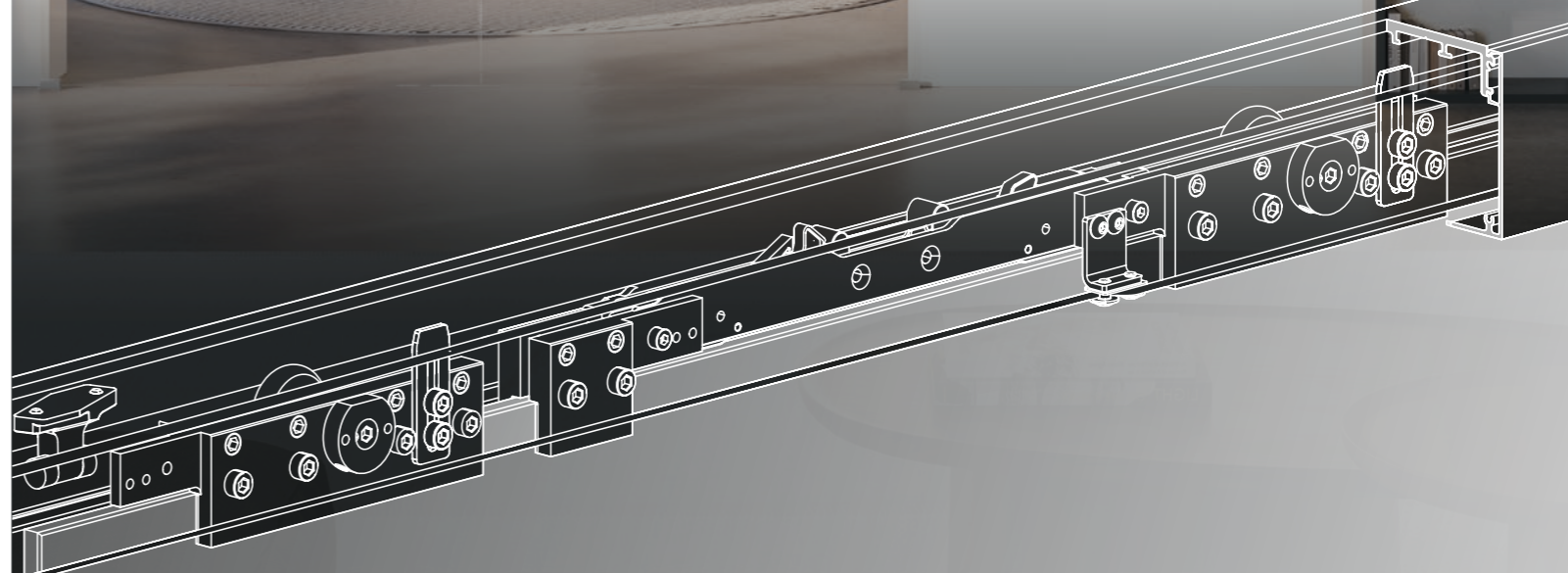


LM INVISIBLE
FULL GLASS PANELS
SLIDING DOOR SYSTEMS

LM CLIPO
FULL GLASS PANELS
SLIDING DOOR SYSTEMS



LM PORTA PRO
FULL GLASS PANELS
SLIDING DOOR SYSTEMS





SPIDER SP
CONTINUOUS FAÇADE
SYSTEMS

CONTINUOUS FAÇADE SYSTEMS

THE BOLD DESIGN FEATURES SOFT, FLOWING LINES. IT STEMS FROM THE EXTENSIVE EXPERIENCE GAINED IN THE FIELD OF SELF-SUPPORTING FAÇADES, SUPPORTED BY SPECIFIC TESTS CARRIED OUT IN COLLABORATION WITH THE UNIVERSITY OF FLORENCE AND THE SAINT-GOBAIN CENTRAL FAÇADE RESEARCH & DEVELOPMENT TEAM.

THE SPIDER FITTINGS WERE SUBJECTED TO TENSILE AND SHEAR LOAD TESTS, ACHIEVING OUTSTANDING RELIABILITY IN ALL CASES.

SPIDER FLUIDO

Refined design combined with outstanding strength. The Fluido series is the ideal solution for elegant glass façades.

SPIDER SP

SP systems create transparent building envelopes that integrate perfectly into any architectural design solution.



SPIDER
CONTINUOUS FAÇADE
SYSTEMS



HIGH ACOUSTIC
PERFORMANCE
PROFILES

PROFIX DOOR
GLASS PARTITIONS AND
HINGED DOOR SYSTEMS



GLASS PARTITIONS AND HINGED DOOR SYSTEMS

THE POSSIBILITY TO CREATE AND RECONFIGURE SPACES IN A FLEXIBLE, HARMONIOUS AND EFFICIENT WAY.

THANKS TO THE MINIMALIST DESIGN OF THE PROFILES, THE SYSTEM MAXIMISES THE INFLUX OF NATURAL LIGHT INTO INTERIOR SPACES WHILE SIMULTANEOUSLY ENSURING EXCELLENT ACOUSTIC COMFORT.

PROFIX AND PROFIX DOOR

Practical and safe systems for internal glass partitions.

IMBOTTE

Designed for installation on brick or plasterboard walls.

SUPERPROFIX

A solution for thick laminated glass featuring continuous fixing and simplified installation thanks to the interlocking system.



IMBOTTE
GLASS PARTITIONS AND
HINGED DOOR SYSTEMS



PROFIX DOOR
GLASS PARTITIONS AND
HINGED DOOR SYSTEMS

PROFIX
GLASS PARTITIONS AND
HINGED DOOR SYSTEMS





SHOWER SYSTEMS

THE RANGE INCLUDES TWO TYPES OF SYSTEMS: SLIDING AND HINGED.

AVAILABLE IN MORE THAN FOUR FINISHES, THE SYSTEMS OFFER EXTENSIVE CUSTOMISATION TO SUIT ANY DESIGN REQUIREMENT; ENSURING EASY INSTALLATION, REFINED AESTHETICS AND LONG-LASTING PERFORMANCE.



SLIDING DOOR SYSTEMS: **GOCCIA RANGE**

Sliding door systems for glass shower enclosures featuring minimalist design and high performance.

GOCCIA50: system for 8 or 10 mm glass, with a 50 mm aluminium load-bearing profile.

GOCCIA35: compact solution for 6 or 8 mm glass, with a load capacity of up to 35 kg per panel.

HINGED DOOR SYSTEMS: **SQUARE SERIES**

The simple design and clean, squared lines of the SQUARE series enhance all solutions where maximum transparency and visual clarity are required.

The different finishes and TÜV certification make each installation unique and reliable. Suitable for glass thicknesses from 6 to 12 mm, the SQUARE series offers standard configurations as well as numerous customisation options thanks to its accessories – hinges, locking systems, knobs, clamps and rods – which can be freely combined to meet any project requirement.





GOCCIA35
SHOWER SYSTEMS



SQUARE
SHOWER SYSTEMS



GOCCIA35
SHOWER SYSTEMS

DESIGN ACCESSORIES

HINGES

HANDLES AND LOCKING SYSTEMS

FIXINGS AND FINISHES





HINGES

DESIGNED TO ENSURE **SMOOTH AND SAFE MOVEMENT**, THEY REPRESENT THE IDEAL SOLUTION FOR A WIDE RANGE OF GLASS APPLICATIONS, GUARANTEEING DURABILITY AND SEAMLESS AESTHETIC INTEGRATION IN ANY ENVIRONMENT.



HINGES FOR SHOWER WALLS AND SHOWER ENCLOSURES

Distinguished by functionality and elegance, they resist humidity and corrosion, ensuring precise movement and easy installation. The minimalist design enhances the transparency and brightness of the glass.

HINGES FOR HINGED DOORS

High performance and clean lines. They allow wide openings and controlled movement, ensuring solidity and comfort. Perfect for both residential and commercial environments.

HINGES FOR DISPLAY CASES

Ideal for enhancing products and display spaces, they highlight the lightness and transparency of glass.





HANDLES AND LOCKING SYSTEMS

AESTHETICS, ERGONOMICS AND RELIABILITY: EVERY DETAIL IS DESIGNED TO ENSURE SMOOTH AND NATURAL INTERACTION WITH GLASS SURFACES, GUARANTEEING COMFORT, SAFETY AND STYLISTIC COHERENCE WITH THE SURROUNDING ENVIRONMENT.

PULL HANDLES, ADHESIVE HANDLES, LOCKABLE HANDLES, KNOBS

Solutions for every design requirement. Pull handles ensure a solid and comfortable grip, ideal for high-traffic environments. Adhesive handles offer quick and discreet installation, perfect for preserving the purity of glass surfaces. Lockable versions combine elegance and protection, ensuring security without compromising transparency. Knobs complete the range with an essential touch, designed for those seeking functionality and simplicity.

LOCKS AND BOLTS

Reliable systems for locking glass doors and partitions, designed with precise mechanisms and high-quality materials. They ensure safety, durability and perfect integration with the other system components.





EVO DR
FIXINGS AND FINISHES

FIXINGS AND FINISHES

A WIDE RANGE OF SYSTEMS FOR EVERY TYPE OF GLASS APPLICATION, DESIGNED TO MEET THE MOST DIVERSE PROJECT REQUIREMENTS.

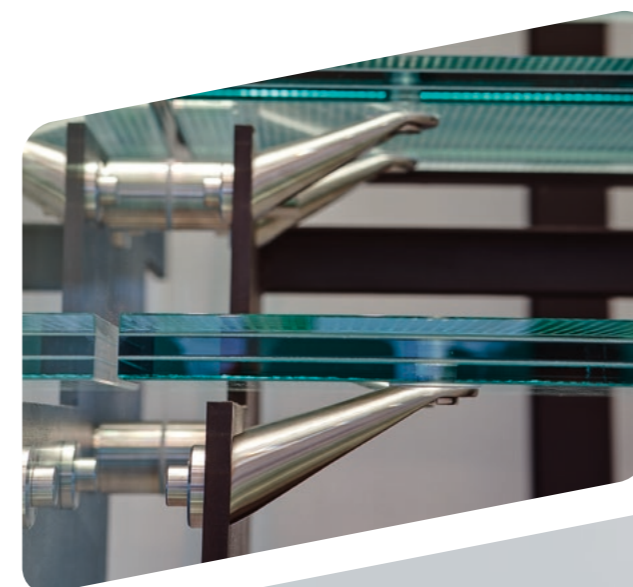
FIXINGS

Point-fixing solutions including special fittings for shaping small and complex structures, a range of supports for steps, glass clamps, spacers and a wide variety of products and accessories to develop any type of project with maximum reliability.

Every detail is carefully engineered and supported by a customisation service, with accessories designed to support creative ideas and even custom-made screws.

FINISHES

A wide choice of aesthetic finishes. Depending on the material, electroplating treatments, anodising and coating processes are available. In addition to the standard range, customised colours can be supplied on request.



DOMINO SERIES
3-WAY FIXING SYSTEMS
FIXINGS AND FINISHES



GLASS SYSTEM TECHNOLOGIES

BALUSTRADES

BALUSTRADES WITH DEFENDER PROFILE

DEFENDER 810
DEFENDER XP - PICO
DEFENDER 1212

POINT-FIXING BALUSTRADES

Point fixing
Double brackets for balustrades

BLAUSTRADES WITH COLUMNS

Column for point fixing
Column

ACCESSORIES FOR BALUSTRADES

Handrail
Finishing profiles
Led light systems

CANOPIES

STRUCTURAL CANOPY SYSTEM

LA PENSILINA
LUMIA

TIE-ROD SYSTEM CANOPIES

CANOPY LIGHT
GLASS CANOPY

SLIDING DOORS

ALUMINIUM SYSTEMS FOR SLIDING DOORS

Structural door panels
LM INTELAIATO
Full glass door panels
LM PORTA
LM VETRO
LM INVISIBLE

STEEL SYSTEMS FOR SLIDING DOORS

Glass doors panels 6-12.7 mm
GIUMAX 2000
GIUMAX 3000
GIUMAX 3200
Glass doors panels 12-17,5 mm
GIUMAX 8500
GIUMAX 6500

Glass door with wooden frame ≥ 30 mm
GIUMAX 3500

SYSTEMS FOR SLIDING DOORS

ATRIVANT

CONTINUOUS FAÇADE SYSTEMS

FAÇADE SYSTEMS

Spider series FLUIDO
Spider series SP

GLASS PARTITIONS AND HINGED DOORS

GLASS PARTITIONS SYSTEMS

Glass partitions

PROFIX
SUPER PROFIX
PROFIX 2
PROFALL
PROALUX
Load-bearing profiles and spider

Glass door on glass wall

PROFIX DOOR

Glass door on solid wall

IMBOTTE L - Z
IMBOTTE M

SHOWERS SYSTEMS

SHOWERS WITH SLIDING DOORS

GOCCIA35 / GOCCIA35 accessories
GOCCIA50 / GOCCIA50 accessories
GLMFLAT / GLMFLAT accessories
DCCFLAT / DCCFLAT accessories
GIUMAX / GIUMAX accessories

SHOWERS WITH HINGED DOORS

SQUARE / SQUARE accessories
CHD / CHD accessories
CER / CER accessories

ACCESSORIES FOR SHOWER PARTITIONS

Pivot Shower
Hinges
Locks without holes
Stabilizer bar
Profiles
Clamps and knobs
Door striker profiles
Gaskets
Stopvapor
Mirror supports

DESIGN ACCESSORIES

HINGES | HANDLES | LOCKS | FIXINGS | FINISHES

HINGES

Sliding doors

SUPRA and ROBUSTUS
CLIPO
PV profiles
Locking systems for sliding doors

Hinged doors

Pivot hinges
Snap hinges/ hinges
Lock for hinged doors

Glass holders and supports

Glass holders
Shelf Support

Hinged showcases for UV bonding

Pivot hinges
Side Snap hinges/ hinges
Locks

UV bonding accessories

Knobs and handles
Magnets
Shelf support
Steel discs
Wheels
Foots

CLAMPS

Steel clamps

Rectangular / round clamps

Brass clamps

Trapezoidal / rectangular / round clamps

Zamak clamps

Round clamps

Protection kits

POINT FIXING SYSTEMS

Articulated and fixed
DOMINO series
ATT series

Steps

Step supports

Spacers and screws

Spacers
Double spacers
Modular spacers Fixing connectors
Screws
Fixing connectors
Screw cover caps
Tools

PULL HANDLES AND KNOBS

Panic bar
Lockable pull handles
Pull handles
Handles
Knobs

PROCESSING & TOOLS

UV bonding adhesives
UV lamps
Silicones and sealants
Cutting accessories
Cutting oil
Squares and straightedges
Pliers
Circular saw
Drill bits and countersinks
Abrasives
Cerium oxide
Sandblasting
Measuring instruments
Suction cups
Transport equipment
Gloves and aprons
Tape measures
Double-sided adhesive tapes
Lamination tapes
Bumpers and gaskets
Lifting equipment
Glass-tic
Shims
Air vents

www.sg-logli.it

sg-italia@saint-gobain.com



The information provided is for explanatory purposes only.

Saint-Gobain Logli S.r.l. reserves the right to make changes of any kind to one or more products at any time and without prior notice, as well as to discontinue their production.

The general terms and conditions of sale are available in the price list.



SAINT-GOBAIN

SAINT-GOBAIN LOGLI S.R.L.

Via Chemnitz, 49/51

59100 Prato

www.sg-logli.it

sg-italia@saint-gobain.com